

# LINSY 林氏家居

## 安装示意图/Assembly Instruction

产品名称 Model NO. PS060-A#

产品规格 Specification 左单人+右三人+脚踏  
Individual(L) + 3seat(R) + Pedal

尺寸组合 Combined size 3100\*1750\*855mm

成品部件明细	编号 NO.	名称 Name	规格 Specification	数量 QTY	材质 Material
Finished Parts Details	1	左单人 Individual(L)	1100*1000*855mm	1	实木+夹板+海绵+乳胶脚+皮革+真皮 Solid wood + plywood + sponge + latex rubber + leather + leather
	2	右三人 3seat(R)	2000*1000*855mm	1	实木+夹板+海绵+乳胶脚+皮革+真皮 Solid wood + plywood + sponge + latex rubber + leather + leather
	3	脚踏 Pedal	750*655*410mm	1	实木+夹板+海绵+乳胶脚+皮革+真皮 Solid wood + plywood + sponge + latex rubber + leather + leather

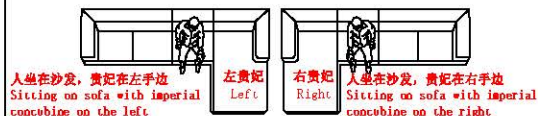
制图 Draw C20

### 配件表 Accessories list

编号 NO.	名称 Name	图示 Icon	数量 QTY	左单人 Individual(L)	右三人 3seat(R)	脚踏 Pedal
A	说明书(含安装图) Mounting Instruction (with drawing)		1	0	1	0
B	φ70*30mm黑色橡胶木脚 φ70*30mm black rubber wood foot		12	4	4	4
C	脚-(直径45*25mm)不带钉黑胶脚 Feet -(Diameter 45*25mm) Vinyl feet without nails		2	0	2	0
D	M4*40 自攻螺丝 M4*40 self tapping screw		26	8	10	8
E	4分双勾魔术布条70cm 4 points double hook cloth 70cm		3	1	2	0
F						
G						

如何区分沙发的左右方向?  
How to zone the left and right direction of the sofa?

(图示仅供分辨方向用/Picture are for orientation only)



安装人数  
Installer



充电式手电钻Cordless hand drill  
或者Or  
十字螺丝刀Phillips screwdriver

客户安装前须知:

Customers need to know before installation:  
此安装图为“左单人+右三人+脚踏”的位置关系。  
This installation picture is "Individual(L) + 3seat(R) + Pedal"

2-1

## 左单人 Individual(L)

STEP 1:

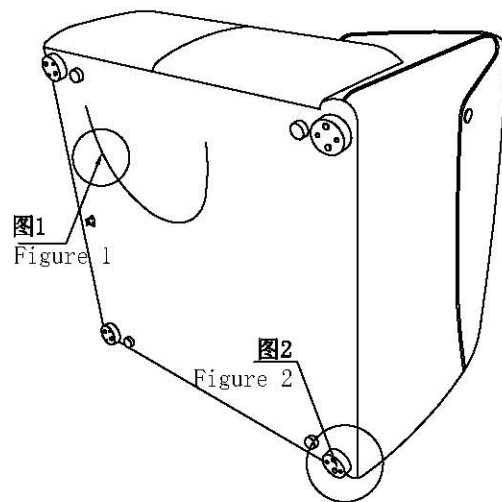


图1: 拉开拉链, 取出配件  
Figure 1: Unzip and remove the fitting

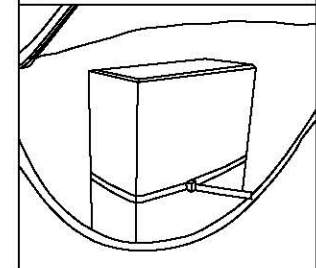
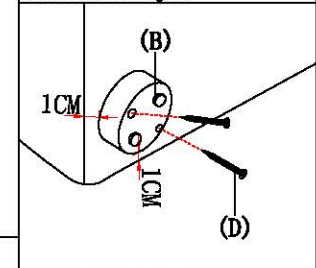


图2: 边脚安装示意图  
Figure 2: Side and foot installation diagram



## 右三人 3seat(R)

STEP 1:

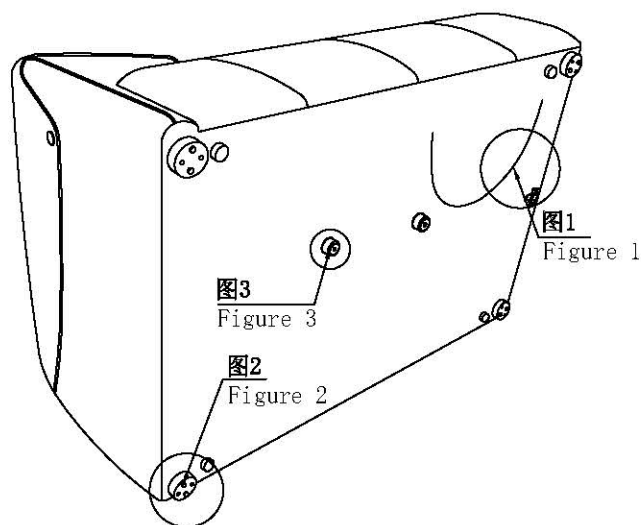
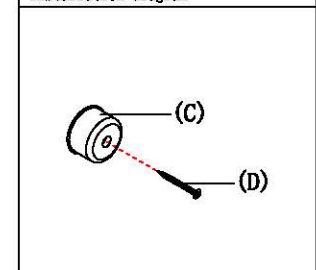


图3: 中脚安装示意图  
Figure 3: Middle foot installation diagram



# 脚踏 Pedal

STEP 1:

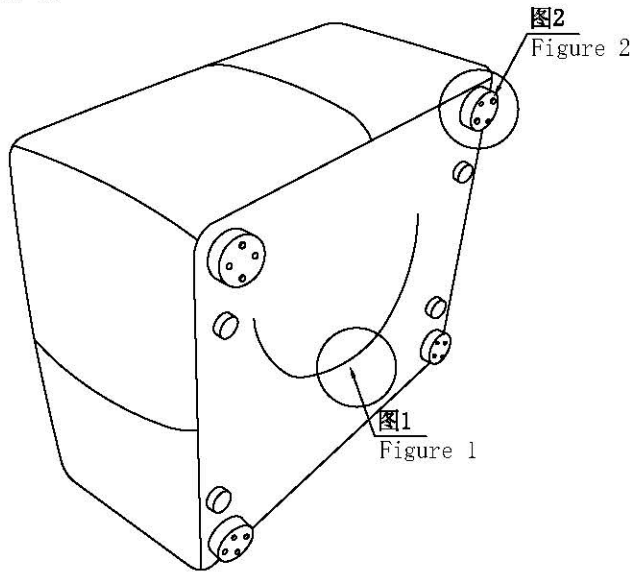


图1: 拉开拉链, 取出配件  
Figure 1: Unzip and remove the fitting

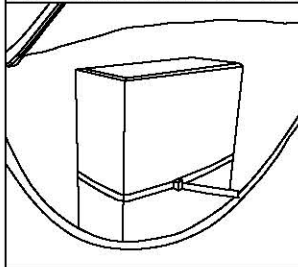
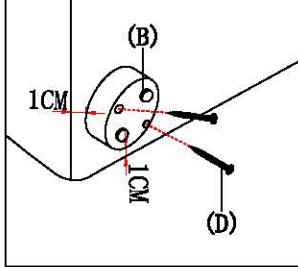
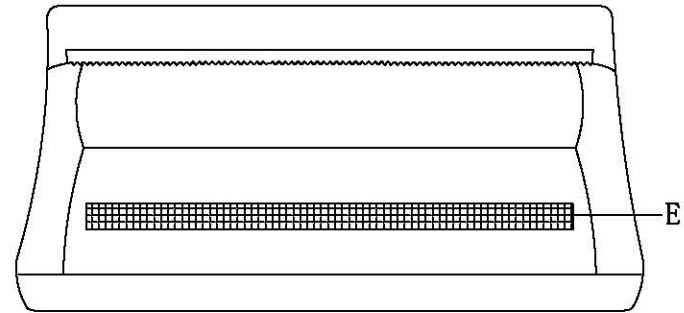


图2: 边脚安装示意图  
Figure 2: Side and foot installation diagram



# 靠包 On package \* 3

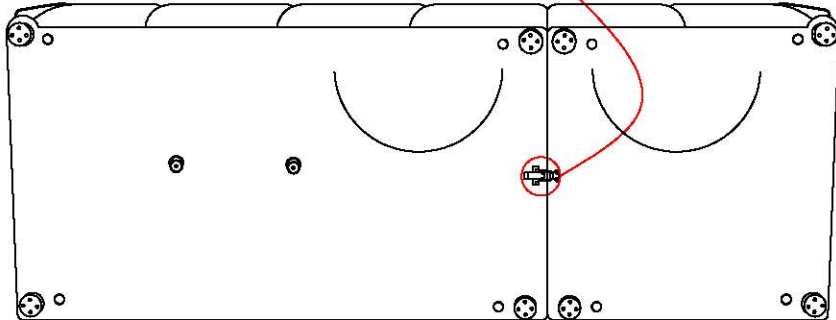
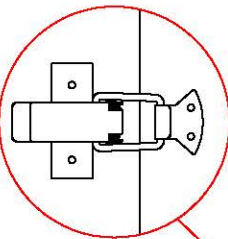
2-2



注: 靠包背面要粘贴上4分双勾么术布条 70cm  
Note: The back of the bag should be pasted with a 4-cent double hook cloth 70cm

# 组合 Combination

挂扣  
Hook



把左单人和右三人靠一起, 锁上座架底的五金扣。  
Put the Individual(L) and the 3seat(R) together,  
and lock the metal buckle at the bottom of the seat frame.

# 组合图 Combination

左单人+右三人+脚踏 Individual (L) + 3seat (R) + Pedal

