

LINSY 林氏家居

安装示意图/Assembly Instruction

产品名称 Model NO. PS060-A#

产品规格 Specification 左单人+右三人+脚踏
Individual(L) + 3seat(R) + Pedal

尺寸组合 Combined size 3100*1750*855mm

| 成品部件明细 | 编号 NO. | 名称 Name | 规格 Specification | 数量 QTY | 材质 Material |
|------------------------|--------|-------------------|------------------|--------|--|
| Finished Parts Details | 1 | 左单人 Individual(L) | 1100*1000*855mm | 1 | 实木+夹板+海绵+乳胶脚+皮革+真皮 Solid wood + plywood + sponge + latex rubber + leather + leather |
| | 2 | 右三人 3seat(R) | 2000*1000*855mm | 1 | 实木+夹板+海绵+乳胶脚+皮革+真皮 Solid wood + plywood + sponge + latex rubber + leather + leather |
| | 3 | 脚踏 Pedal | 750*655*410mm | 1 | 实木+夹板+海绵+乳胶脚+皮革+真皮 Solid wood + plywood + sponge + latex rubber + leather + leather |

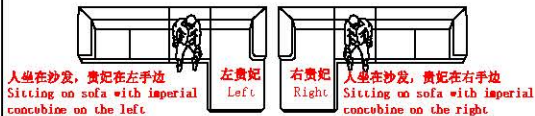
制图 Draw C20

配件表 Accessories list

| 编号 NO. | 名称 Name | 图示 Icon | 数量 QTY | 左单人 Individual(L) | 右三人 3seat(R) | 脚踏 Pedal |
|--------|--|---------|--------|-------------------|--------------|----------|
| A | 说明书(含安装图) Mounting Instruction (with drawing) | | 1 | 0 | 1 | 0 |
| B | φ70*30mm黑色橡胶木脚 φ70*30mm black rubber wood foot | | 12 | 4 | 4 | 4 |
| C | 脚-(直径45*25mm)不带钉黑胶脚 Feet -(Diameter 45*25mm) Vinyl feet without nails | | 2 | 0 | 2 | 0 |
| D | M4*40 自攻螺丝 M4*40 self tapping screw | | 26 | 8 | 10 | 8 |
| E | 4分双勾魔术布条70cm 4 points double hook cloth 70cm | | 3 | 1 | 2 | 0 |
| F | | | | | | |
| G | | | | | | |

如何区分沙发的左右方向?
How to zone the left and right direction of the sofa?

(图示仅供分辨方向用/Picture are for orientation only)



安装人数
Installer



充电式手电钻Cordless hand drill
或者Or
十字螺丝刀Phillips screwdriver

客户安装前须知:

Customers need to know before installation:
此安装图为“左单人+右三人+脚踏”的位置关系。
This installation picture is "Individual(L) + 3seat(R) + Pedal"

2-1

左单人 Individual(L)

STEP 1:

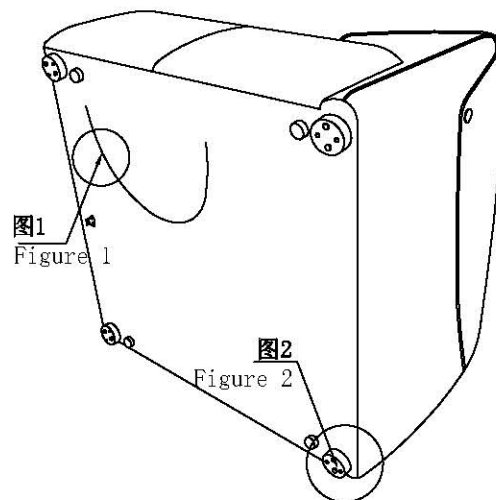


图1: 拉开拉链, 取出配件
Figure 1: Unzip and remove the fitting

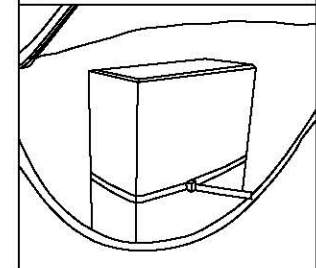
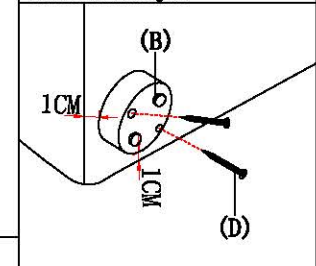


图2: 边脚安装示意图
Figure 2: Side and foot installation diagram



右三人 3seat(R)

STEP 1:

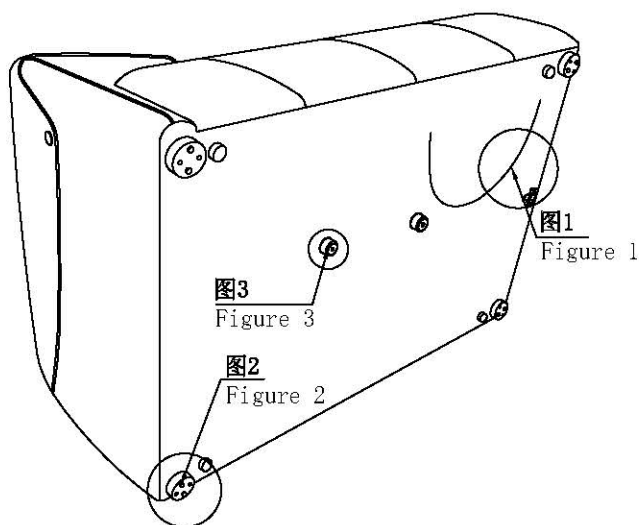
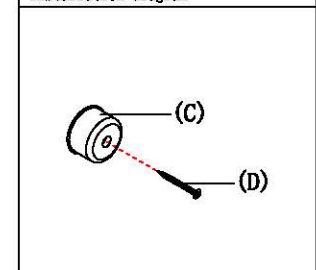


图3: 中脚安装示意图
Figure 3: Middle foot installation diagram



脚踏 Pedal

STEP 1:

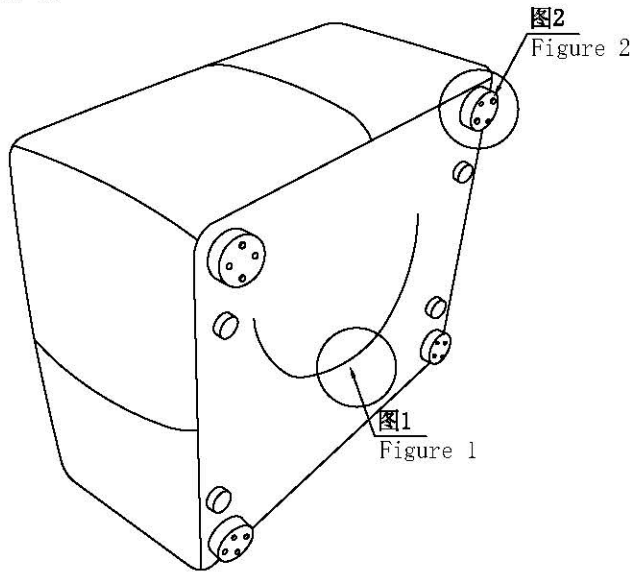


图1: 拉开拉链, 取出配件
Figure 1: Unzip and remove the fitting

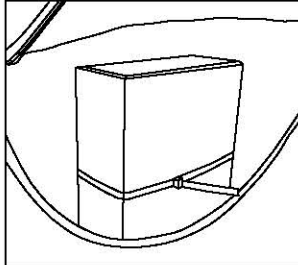
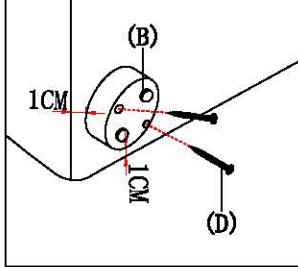
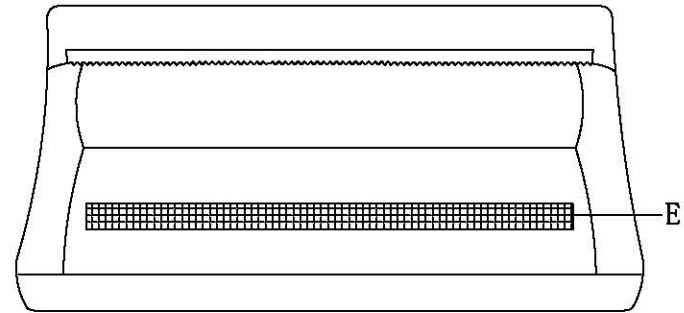


图2: 边脚安装示意图
Figure 2: Side and foot installation diagram



靠包 On package * 3

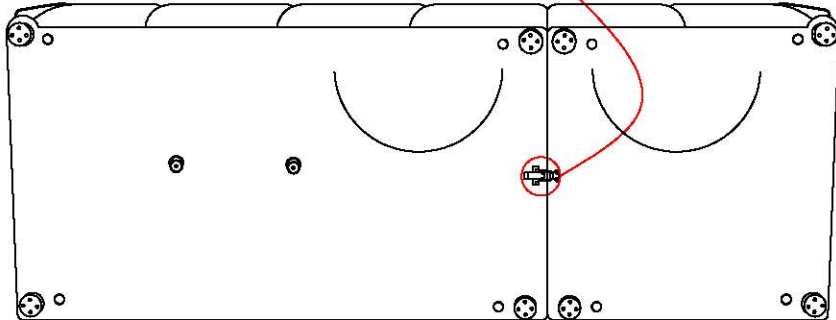
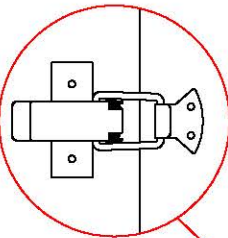
2-2



注: 靠包背面要粘贴上4分双勾么术布条 70cm
Note: The back of the bag should be pasted with a 4-cent double hook cloth 70cm

组合 Combination

挂扣
Hook



把左单人和右三人靠一起, 锁上座架底的五金扣。
Put the Individual(L) and the 3seat(R) together,
and lock the metal buckle at the bottom of the seat frame.

组合图 Combination

左单人+右三人+脚踏 Individual (L) + 3seat (R) + Pedal

