

# LINSY 林氏家居

## 安装示意图/Assembly Instruction

产品名称 Model NO. PS060-A#

产品规格 Specification 小左单人+小右单人+脚踏  
small Individual(L)+ small Individual(R)+Pedal

尺寸组合 Combined size 2500\*1750\*855mm

成品 部件明细	编号 NO.	名称 Name	规格 Specification	数量 QTY	材质 Material
Finished Parts Details	1	小左单人 small Individual(L)	1250*1000*855mm	1	实木+夹板+海绵+乳胶垫+皮革+真皮 Solid wood + plywood + sponge + latex cocoon + leather + leather
	2	小右单人 small Individual(R)	1250*1000*855mm	1	实木+夹板+海绵+乳胶垫+皮革+真皮 Solid wood + plywood + sponge + latex cocoon + leather + leather
	3	脚踏 Pedal	750*655*410mm	1	实木+夹板+海绵+乳胶垫+皮革+真皮 Solid wood + plywood + sponge + latex cocoon + leather + leather

制图 Draw

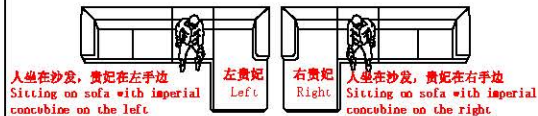
C20

### 配件表 Accessories list

编号 NO.	名称 Name	图示 Icon	数量 QTY	小左单人 small Individual(L)	小右单人 small Individual(R)	脚踏 Pedal
A	说明书(含安装图) Mounting instruction (with drawing)		1	1	0	0
B	φ70*30mm黑色橡胶木脚 φ70*30mm black rubber wood foot		12	4	4	4
C	M4*40自攻螺丝 M4*40 self tapping screw		24	8	8	8
D	4分双勾木布条80cm 4 points double hook cloth 80cm		2	1	1	0
E						
F						
G						

如何区分沙发的左右方向?  
How to zone the left and right direction of the sofa?

(图示仅供分辨方向用/Picture are for orientation only)



安装人数  
Installer



充电式手电钻Cordless hand drill  
或者Or  
十字螺丝刀Phillips screwdriver

客户安装前须知:  
Customers need to know before installation:  
此安装图为“小左单人+小右单人+脚踏”的位置关系。  
This installation picture is "small Individual(L)+ small Individual(R)+Pedal"

2-1

### 小左单人 small Individual (L)

STEP 1:

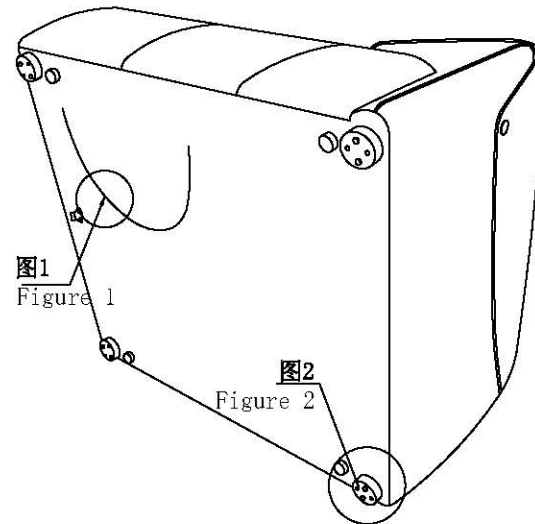


图1: 拉开拉链, 取出配件  
Figure 1: Unzip and remove the fitting

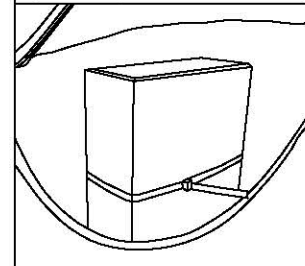
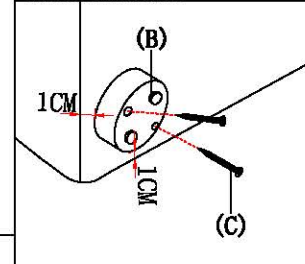
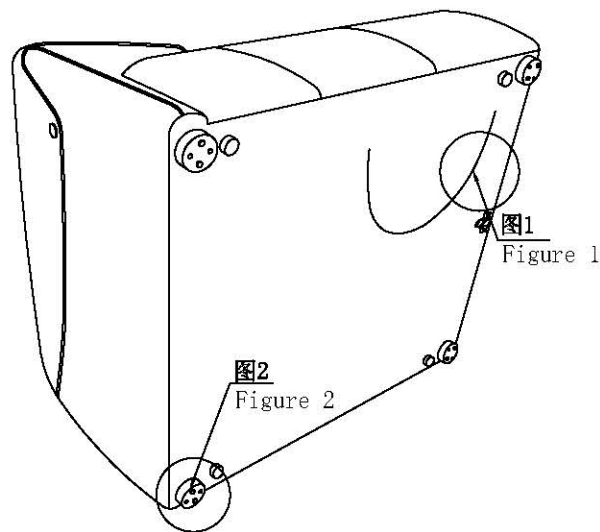


图2: 边脚安装示意图  
Figure 2: Side and foot installation diagram



### 小右单人 small Individual (R)

STEP 1:



## 脚踏 Pedal

STEP 1:

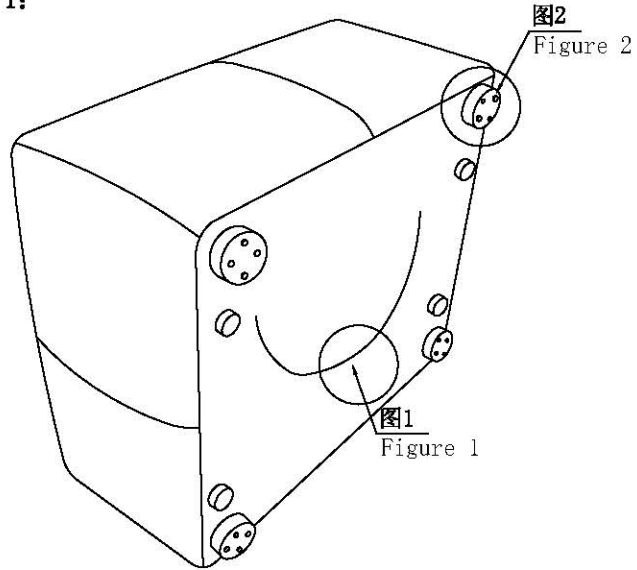


图1: 拉开拉链, 取出配件  
Figure 1: Unzip and remove the fitting

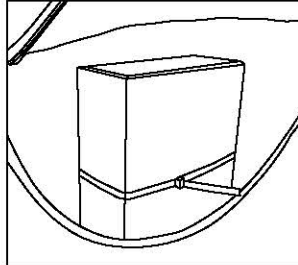
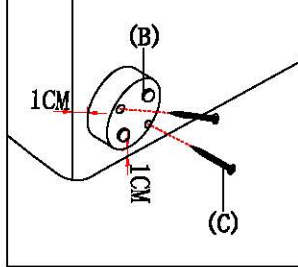
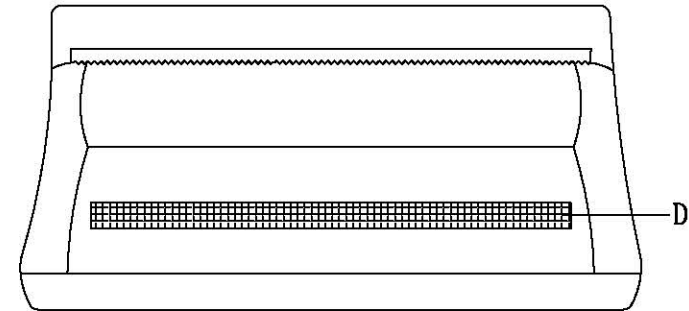


图2: 边脚安装示意图  
Figure 2: Side and foot installation diagram



## 靠包 On package \* 2

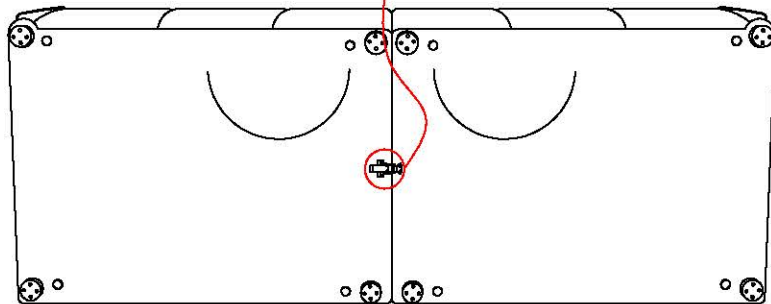
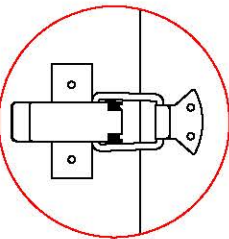
2-2



注: 靠包背面要粘贴上4分双勾么术布条80cm  
Note: The back of the bag should be pasted with a 4-cent double hook cloth 80cm

## 组合 Combination

挂扣  
Hook



把小左单人和小右单人靠一起, 锁上座架底的五金扣。  
Put the small Individual(L) and small Individual(R) together, and lock the metal buckle at the bottom of the seat frame.

## 组合图 Combination

小左单人+小右单人+脚踏  
small Individual(L)+ small Individual(R)+Pedal

