

# LINSY 林氏家居

## 安装示意图/Assembly Instruction

产品名称 Model NO. PS060-A#

产品规格 Specification 小左单人+小右单人+脚踏  
small Individual(L)+ small Individual(R)+Pedal

尺寸组合 Combined size 2500\*1750\*855mm

成品 部件明细	编号 NO.	名称 Name	规格 Specification	数量 QTY	材质 Material
Finished Parts Details	1	小左单人 small Individual(L)	1250*1000*855mm	1	实木+夹板+海绵+乳胶垫+皮革+真皮 Solid wood + plywood + sponge + latex cocoon + leather + leather
	2	小右单人 small Individual(R)	1250*1000*855mm	1	实木+夹板+海绵+乳胶垫+皮革+真皮 Solid wood + plywood + sponge + latex cocoon + leather + leather
	3	脚踏 Pedal	750*655*410mm	1	实木+夹板+海绵+乳胶垫+皮革+真皮 Solid wood + plywood + sponge + latex cocoon + leather + leather

制图 Draw C20

### 配件表 Accessories list

编号 NO.	名称 Name	图示 Icon	数量 QTY	小左单人 small Individual(L)	小右单人 small Individual(R)	脚踏 Pedal
A	说明书(含安装图) Mounting Instruction (with drawing)		1	1	0	0
B	φ70*30mm黑色橡胶木脚 φ70*30mm black rubber wood foot		12	4	4	4
C	M4*40自攻螺丝 M4*40 self tapping screw		24	8	8	8
D	4分双勾木布条80cm 4 points double hook cloth 80cm		2	1	1	0
E						
F						
G						

如何区分沙发的左右方向?  
How to zone the left and right direction of the sofa?

(图示仅供分辨方向用/Picture are for orientation only)

人坐在沙发, 贵妃在左手边  
Sitting on sofa with imperial concubine on the left

左贵妃 Left

右贵妃 Right

人坐在沙发, 贵妃在右手边  
Sitting on sofa with imperial concubine on the right

安装人数  
Installer

充电式手电钻Cordless hand drill

或者Or

十字螺丝刀Phillips screwdriver

客户安装前须知:  
Customers need to know before installation:  
此安装图为“小左单人+小右单人+脚踏”的位置关系。  
This installation picture is "small Individual(L)+ small Individual(R)+Pedal"

2-1

### 小左单人 small Individual (L)

STEP 1:

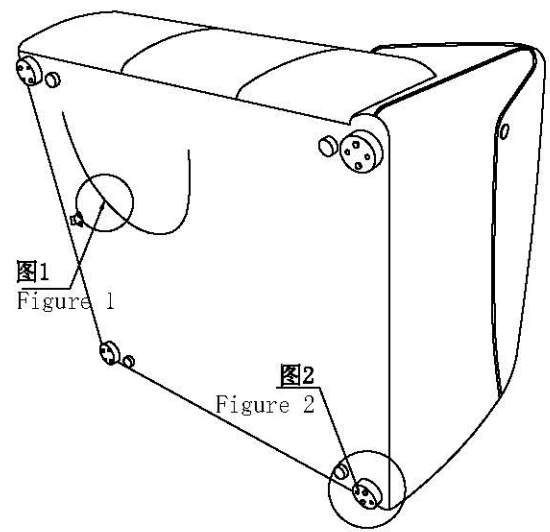


图1: 拉开拉链, 取出配件  
Figure 1: Unzip and remove the fitting

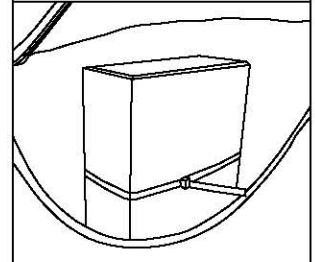
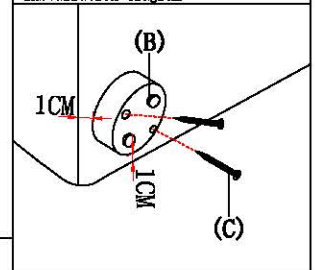
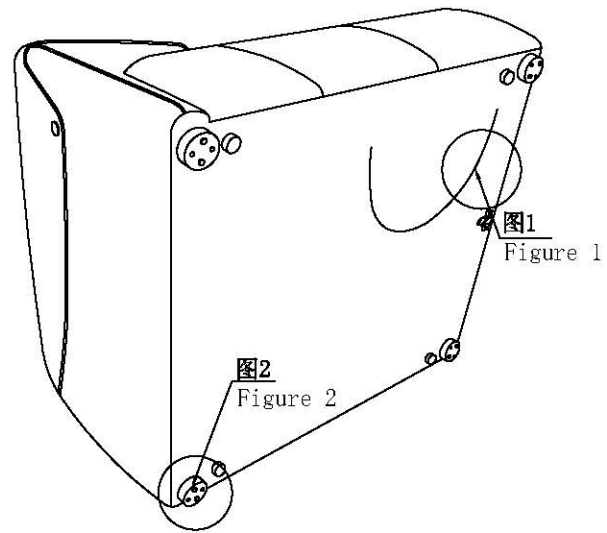


图2: 边脚安装示意图  
Figure 2: Side and foot installation diagram



### 小右单人 small Individual (R)

STEP 1:



## 脚踏 Pedal

STEP 1:

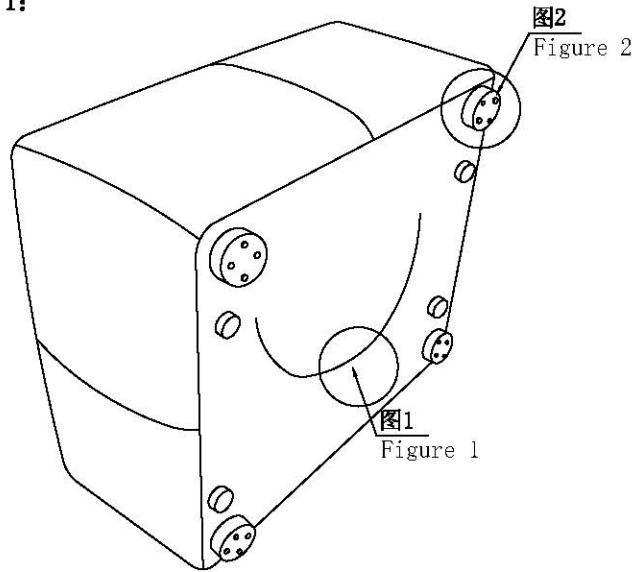


图1: 拉开拉链, 取出配件  
Figure 1: Unzip and remove the fitting

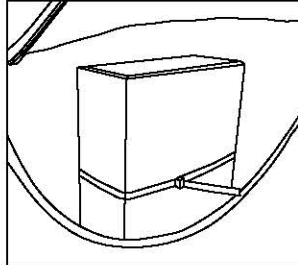
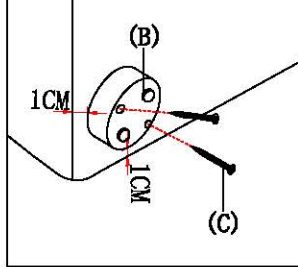
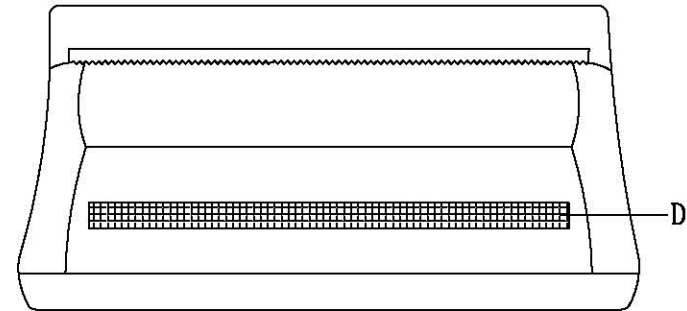


图2: 边脚安装示意图  
Figure 2: Side and foot installation diagram



## 靠包 On package \* 2

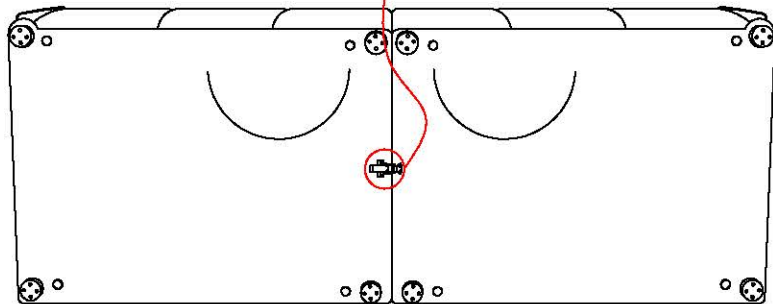
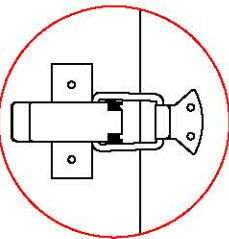
2-2



注: 靠包背面要粘贴上4分双勾么术布条80cm  
Note: The back of the bag should be pasted with a 4-cent double hook cloth 80cm

## 组合 Combination

挂扣  
Hook



把小左单人和小右单人靠一起, 锁上座架底的五金扣。  
Put the small Individual(L) and small Individual(R) together, and lock the metal buckle at the bottom of the seat frame.

## 组合图 Combination

小左单人+小右单人+脚踏  
small Individual(L)+ small Individual(R)+Pedal

