

脚踏 Pedal

STEP 1:

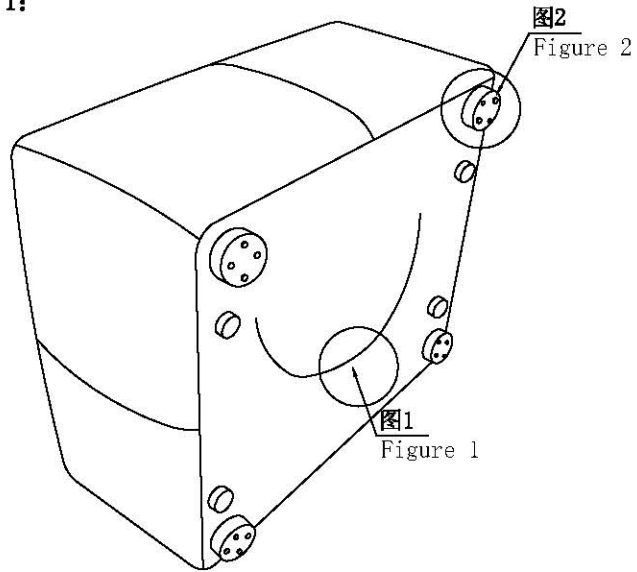


图1: 拉开拉链, 取出配件
Figure 1: Unzip and remove the fitting

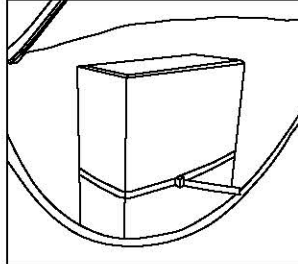
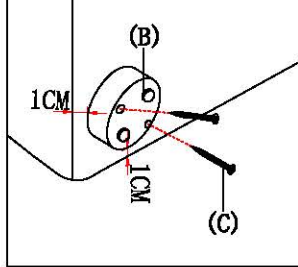
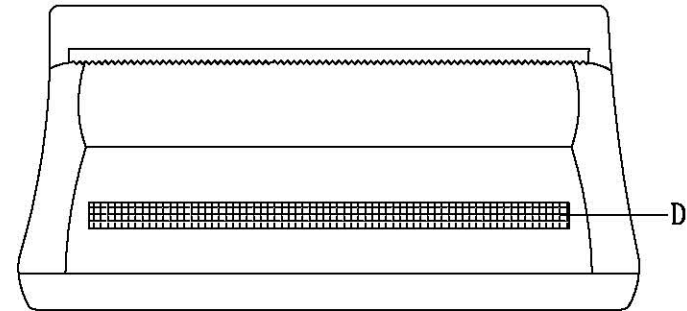


图2: 边脚安装示意图
Figure 2: Side and foot installation diagram



靠包 On package * 2

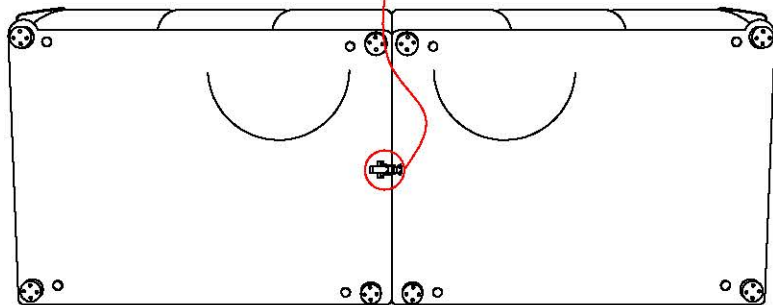
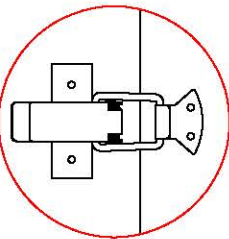
2-2



注: 靠包背面要粘贴上4分双勾么术布条80cm
Note: The back of the bag should be pasted with a 4-cent double hook cloth 80cm

组合 Combination

挂扣
Hook



把小左单人和小右单人靠一起, 锁上座架底的五金扣。
Put the small Individual(L) and small Individual(R) together, and lock the metal buckle at the bottom of the seat frame.

组合图 Combination

小左单人+小右单人+脚踏
small Individual(L)+ small Individual(R)+Pedal

