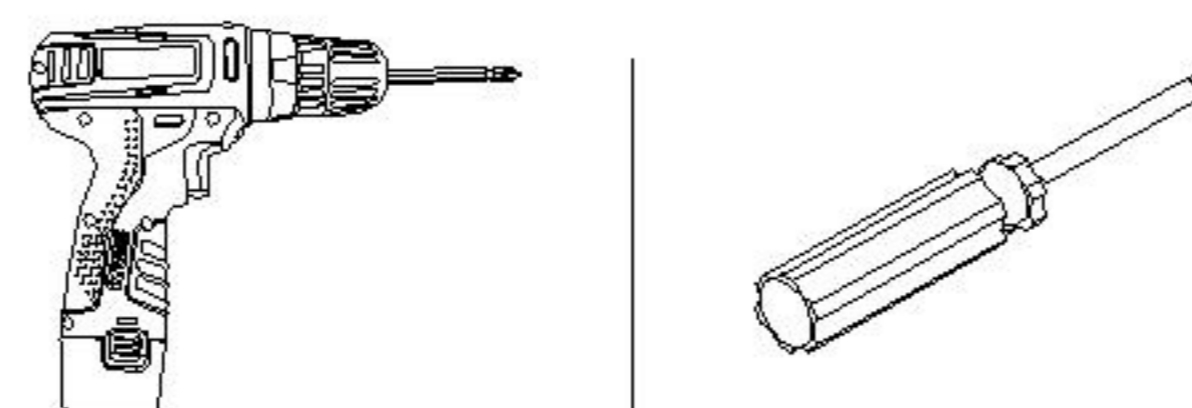


LINSY 林氏家居

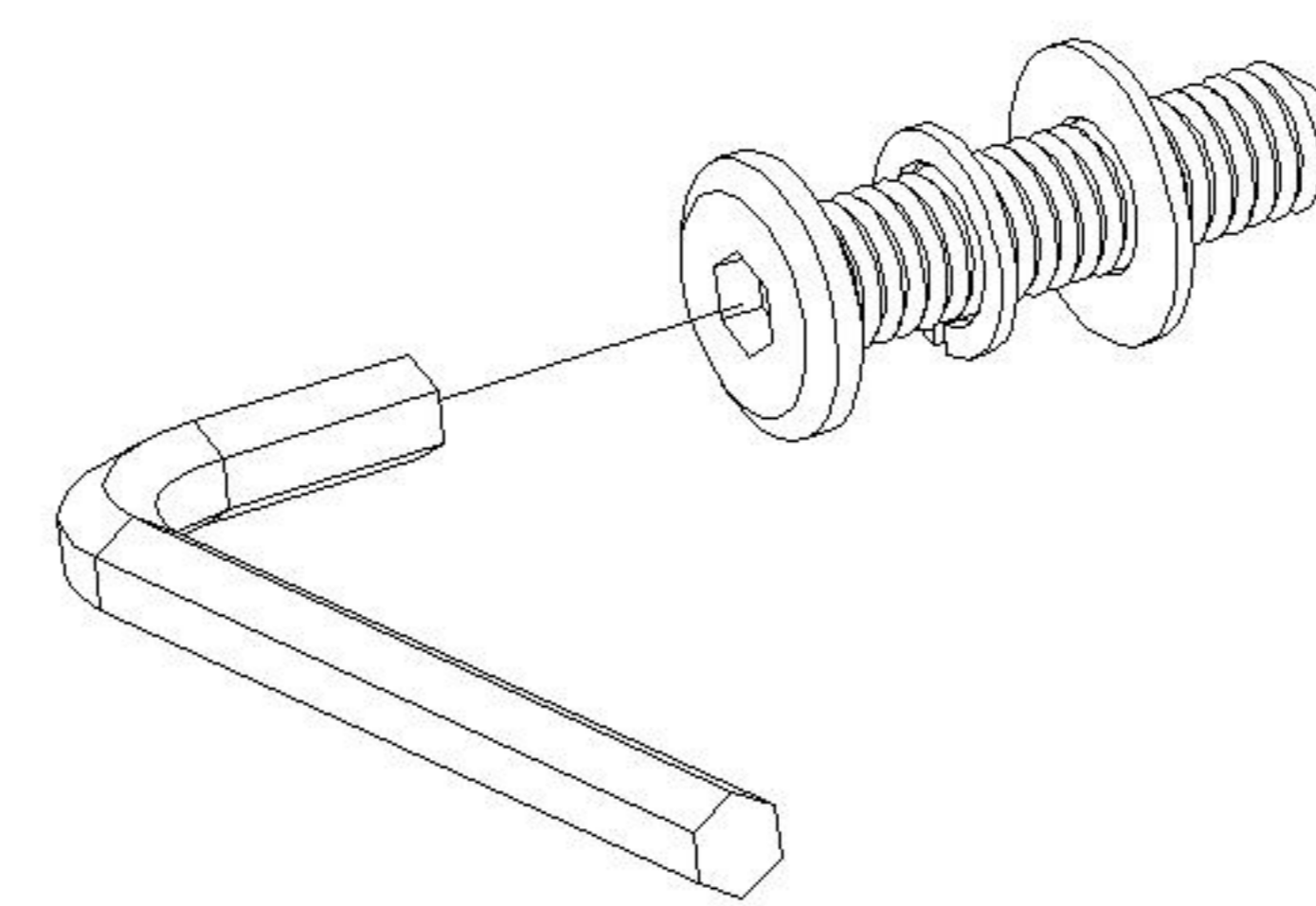
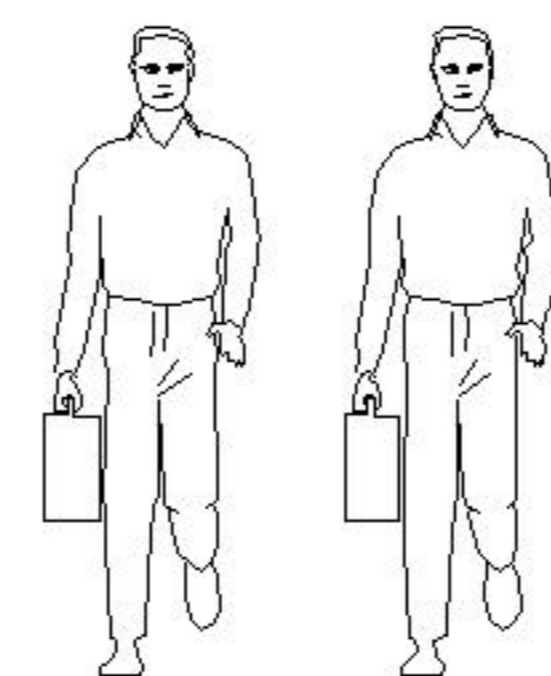
page: 1/1

安装工具Tool

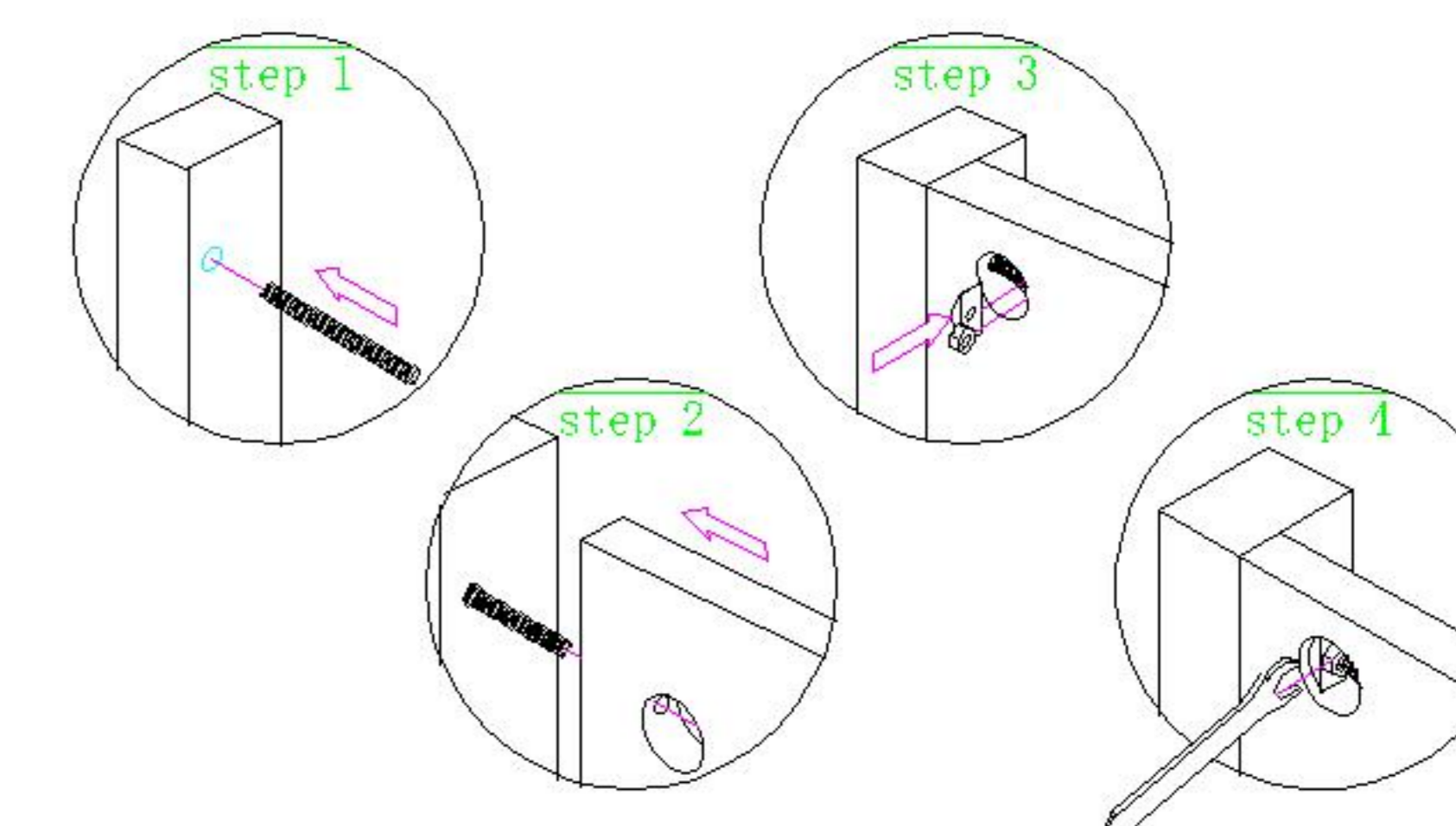
充电式手电钻 或者 十字螺丝刀
Cordless hand drill
Phillips screwdriver



安装人数Installer



内六角螺丝垫片安装顺序
Installation sequence of hexagon socket screw gasket



五合一的安装方法
Instruction of 5-in-1 screw

安装示意图/Assembly Instruction

产品名称 Model NO. LH075A1-A

产品规格 Specification 1800*2000

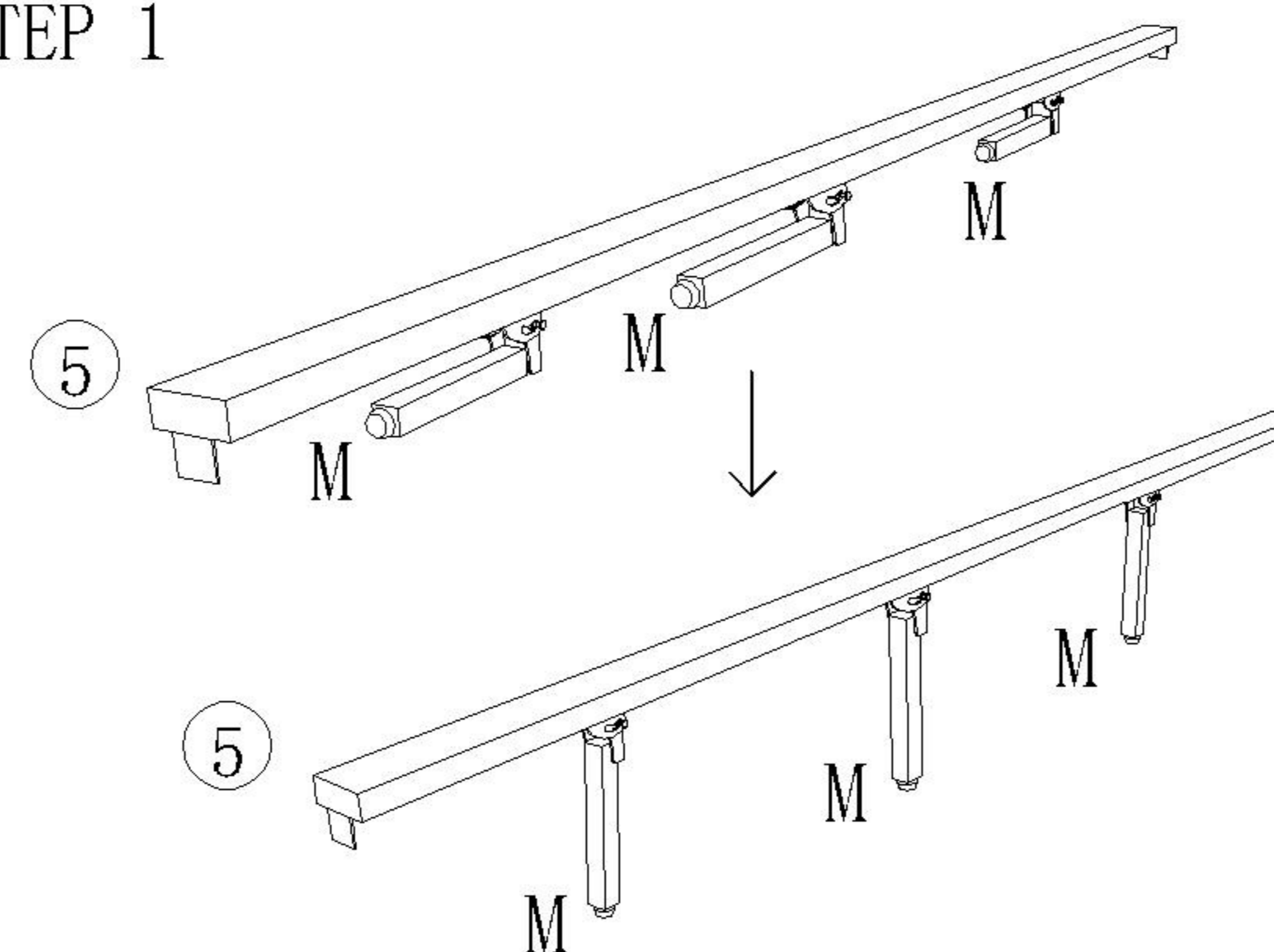
尺寸组合 Combined size 2110*1810*980mm

配件表/Accessories list

部件表/Parts List

| 编号 NO. | 名称Name | 图示Icon | 数量QTY | 编号 NO. | 名称Name | 规格 Specification | 数量 QTY | 材质material |
|--------|---|--------|-------|--------|--------------------------------|------------------|--------|------------------|
| A | M8*20内六角螺栓 M8*20 Hexagon socket bolt | | 12 | ① | 床头 The head of a bed | 1810*980*100 | 1 | 实木 Solid wood |
| B | M8*13弹垫 shim-(M8*13mm) spring | | 12 | ② | 床尾 The end of the bed | 1800*130*40 | 1 | 实木 Solid wood |
| C | M8*16平垫 shim-(M8*16) colored zinc | | 12 | ③ | 床尾腿 Bed tail leg | 230*60*60 | 2 | 实木 Solid wood |
| D | 自攻螺丝4*25 Self-tapping screw-(M4*25mm) | | 24 | ④ | 床边 Bed side | 1970*130*45 | 2 | 实木 Solid wood |
| E | 5mm六角扳手 spanner-(5mm) hex | | 1 | ⑤ | 床中横 Bed board support strip | 1990*60*25 | 1 | 实木 Solid wood |
| F | 全牙丝杆M6*80mm screw-(M6*80mm) color zinc | | 8 | ⑥ | 床铺板 Bed board | 1756*1960*14 | 1 | 实木 Solid wood |
| G | 半月介 M6 Semilunar M6 | | 8 | | | | | |
| H | M6外六角螺母 M6 Outer hexagon nut | | 8 | | | | | |
| I | M6套扳手 M6 Set wrench | | 1 | | | | | |
| J | 铁板角撑 Iron plate Angle brace | | 2 | | | | | |
| K | 梅花角铁 Plum blossom angle iron | | 2 | | | | | |
| L | 自攻螺丝4*16 Self-tapping screw-(M4*16mm) | | 4 | | | | | |
| M | 中腿 metal foot | | 3 | | | | | |

STEP 1



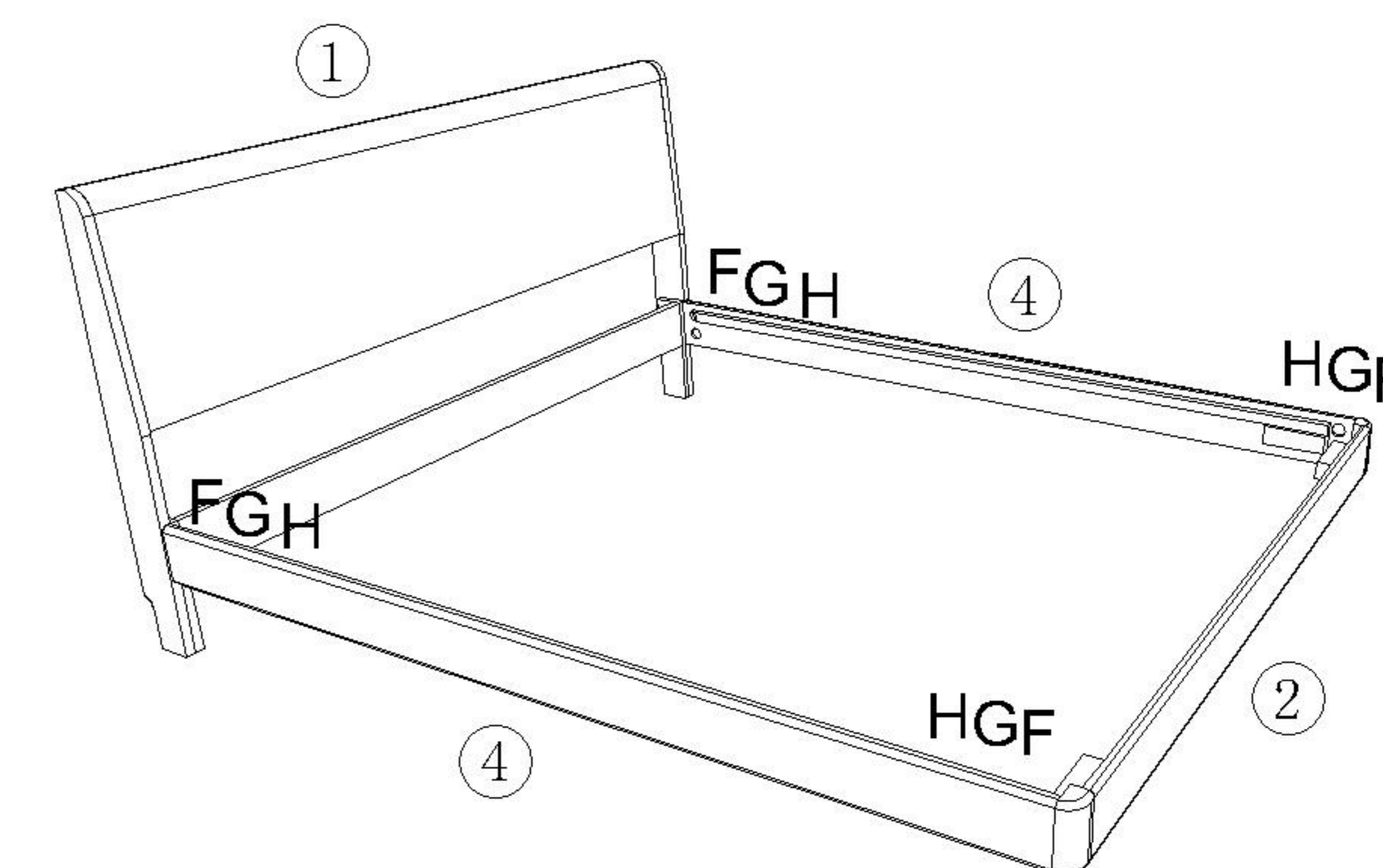
如图所示，将部件5的五金M往外掰出（听到“咔”一声即可）

注：中腿底部带可调节脚钉，高度可调

As shown in the figure, pull out the hardware M of Part 5 (just hear the "click")

Note: the bottom of the middle leg is equipped with adjustable foot nails, and the height is adjustable

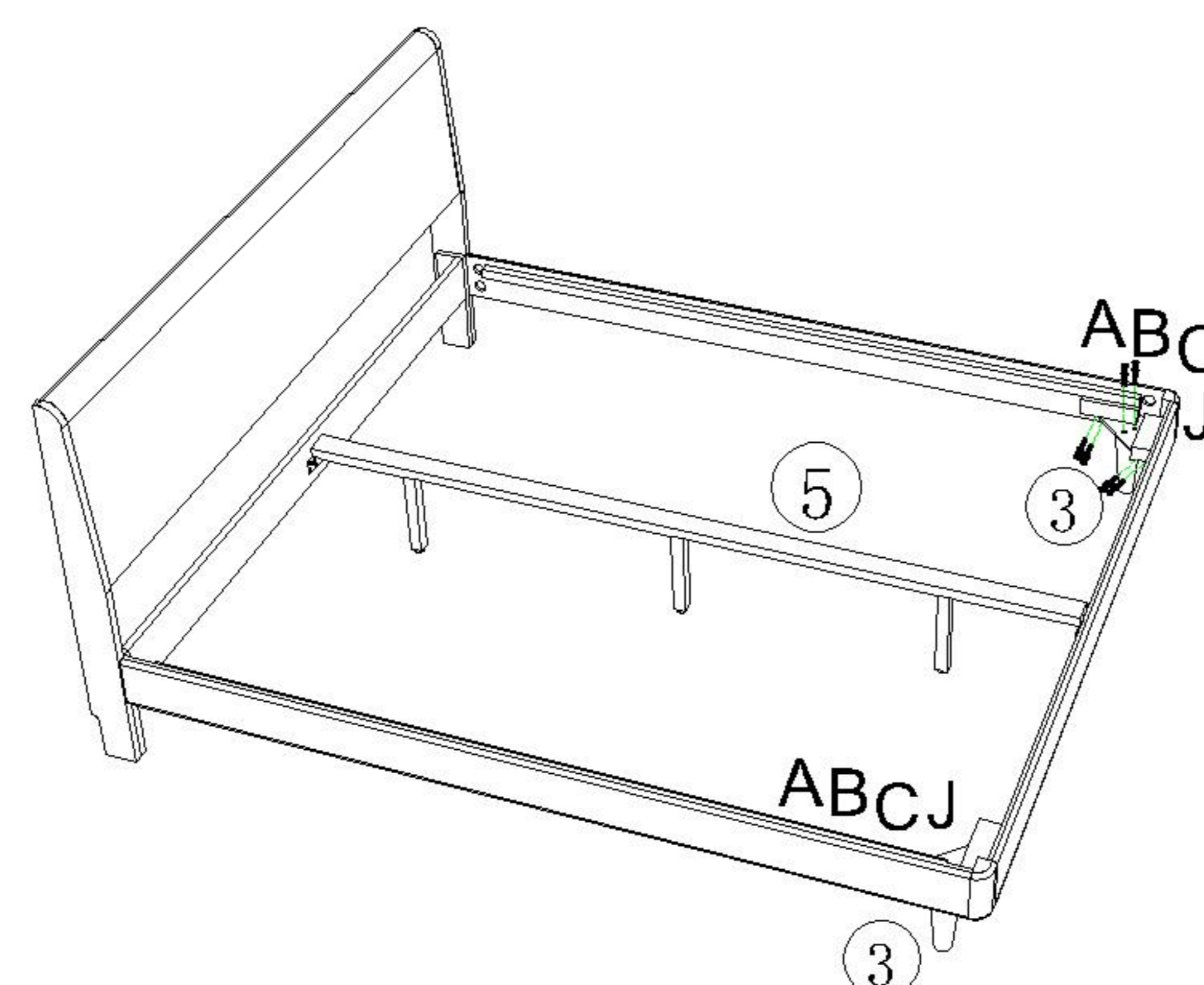
STEP 2



△ 将部件1、部件2和部件4用五金F、G、H连接。

Connect part 1, Part 2 and Part 4 with hardware F, G and H.

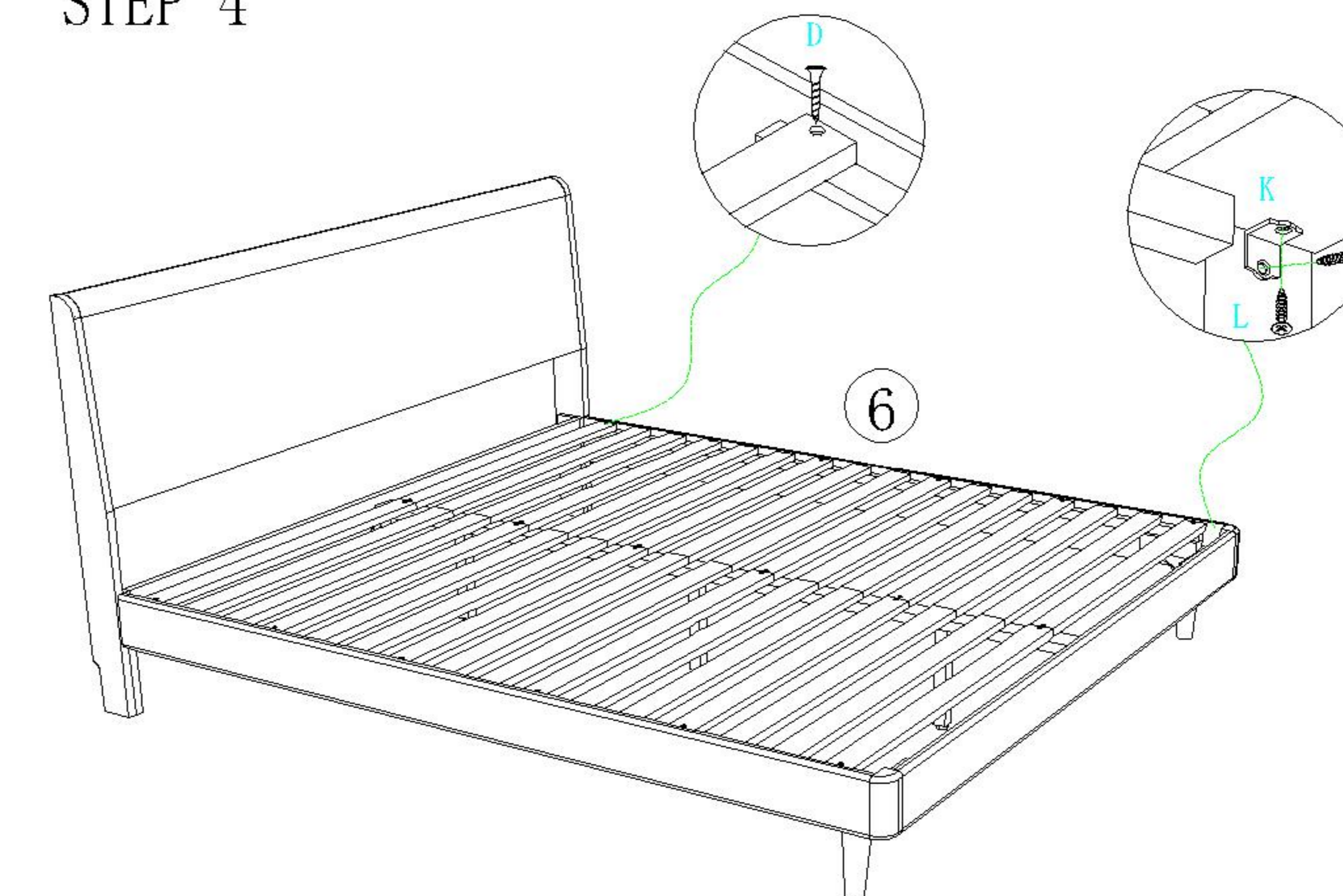
STEP 3



△ 将组好的STEP2和部件3用五金A、B、C、J连接；把装好的step2和装好的step1在相应位置连接。

Connect the assembled STEP2 and part 3 with hardware A, B, C and J; Connect the installed Step2 with the installed step1 at the corresponding position.

STEP 4



△ 将部件6放在组好的STEP3上，并用五金D、K、L固定。

Put the part 6 on the assembled STEP3 and fix it with hardware D, K and L..

