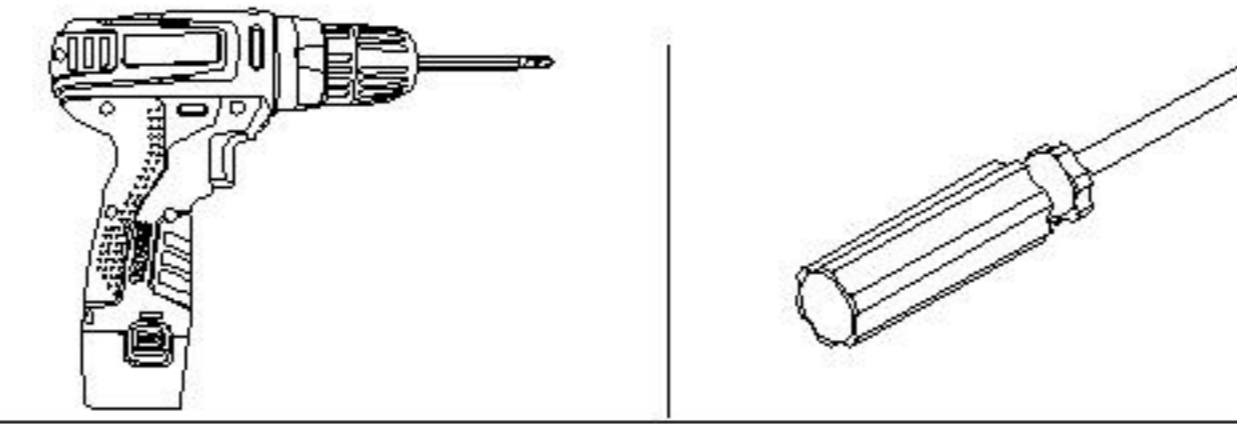
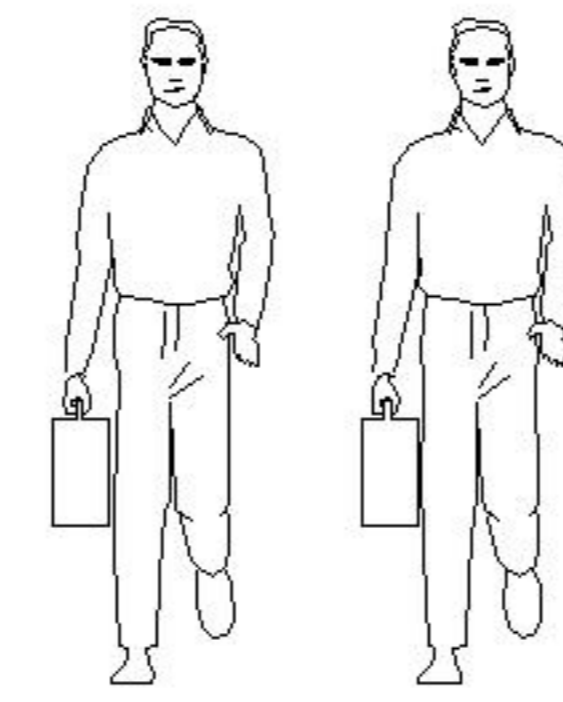


充电式手电钻 或者 十字螺丝刀
Cordless hand drill
Phillips screwdriver

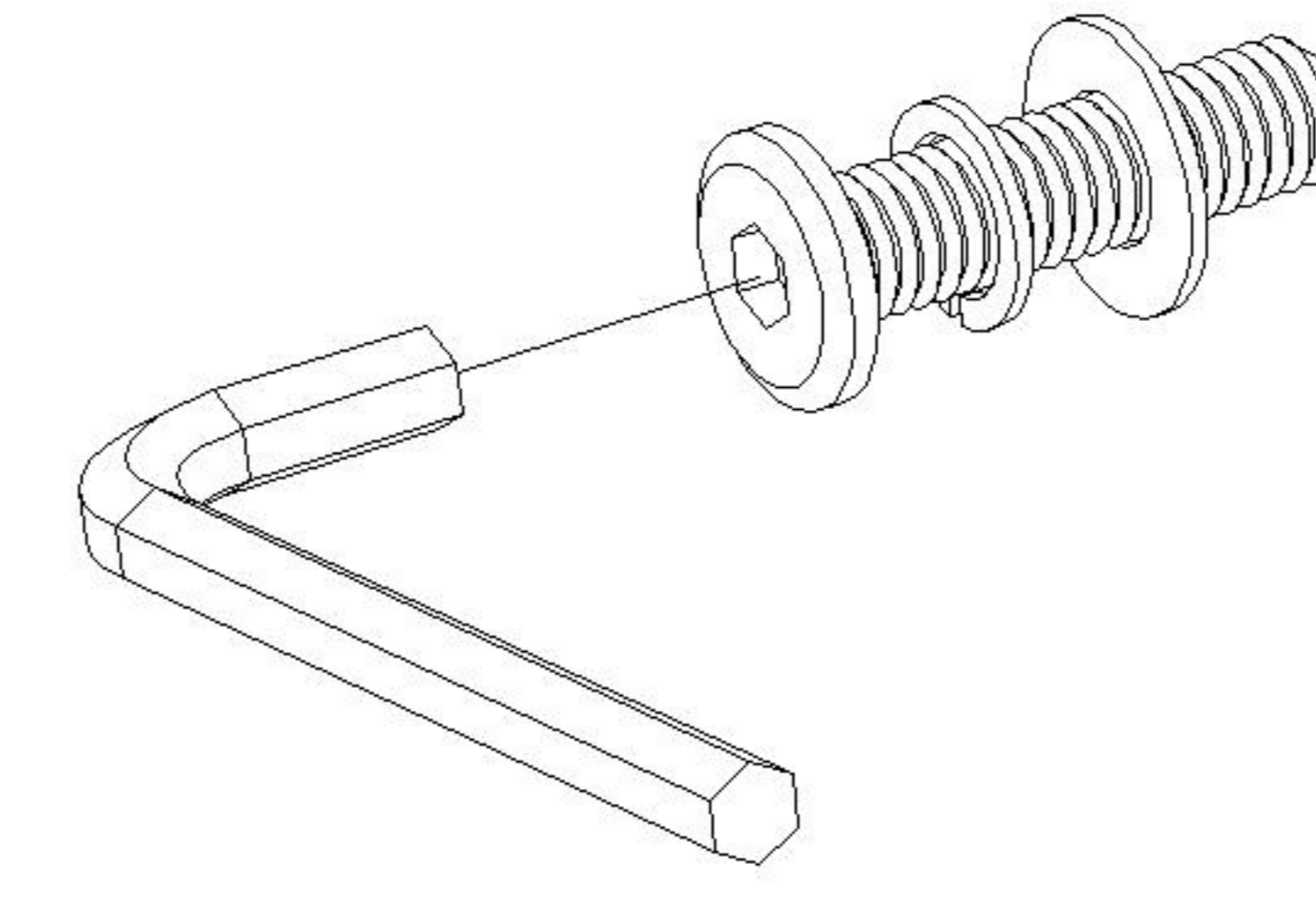


安装人数Installer

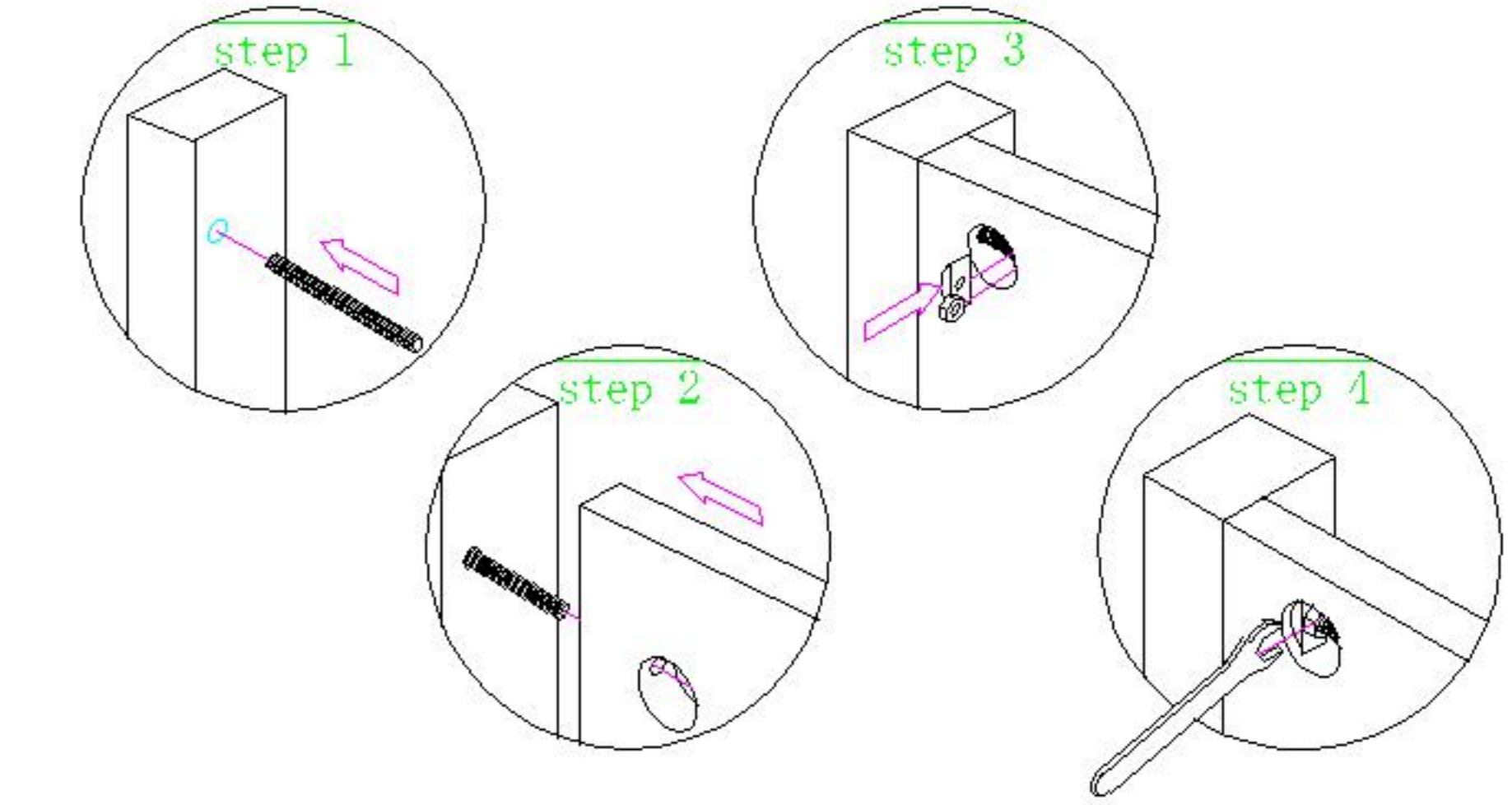


安装示意图/Assembly Instruction

产品名称 Model NO.	LH075A1-A
产品规格 Specification	1500*2000
尺寸组合 Combined size	2110*1510*980mm



内六角螺丝垫片安装顺序
Installation sequence of hexagon socket screw gasket



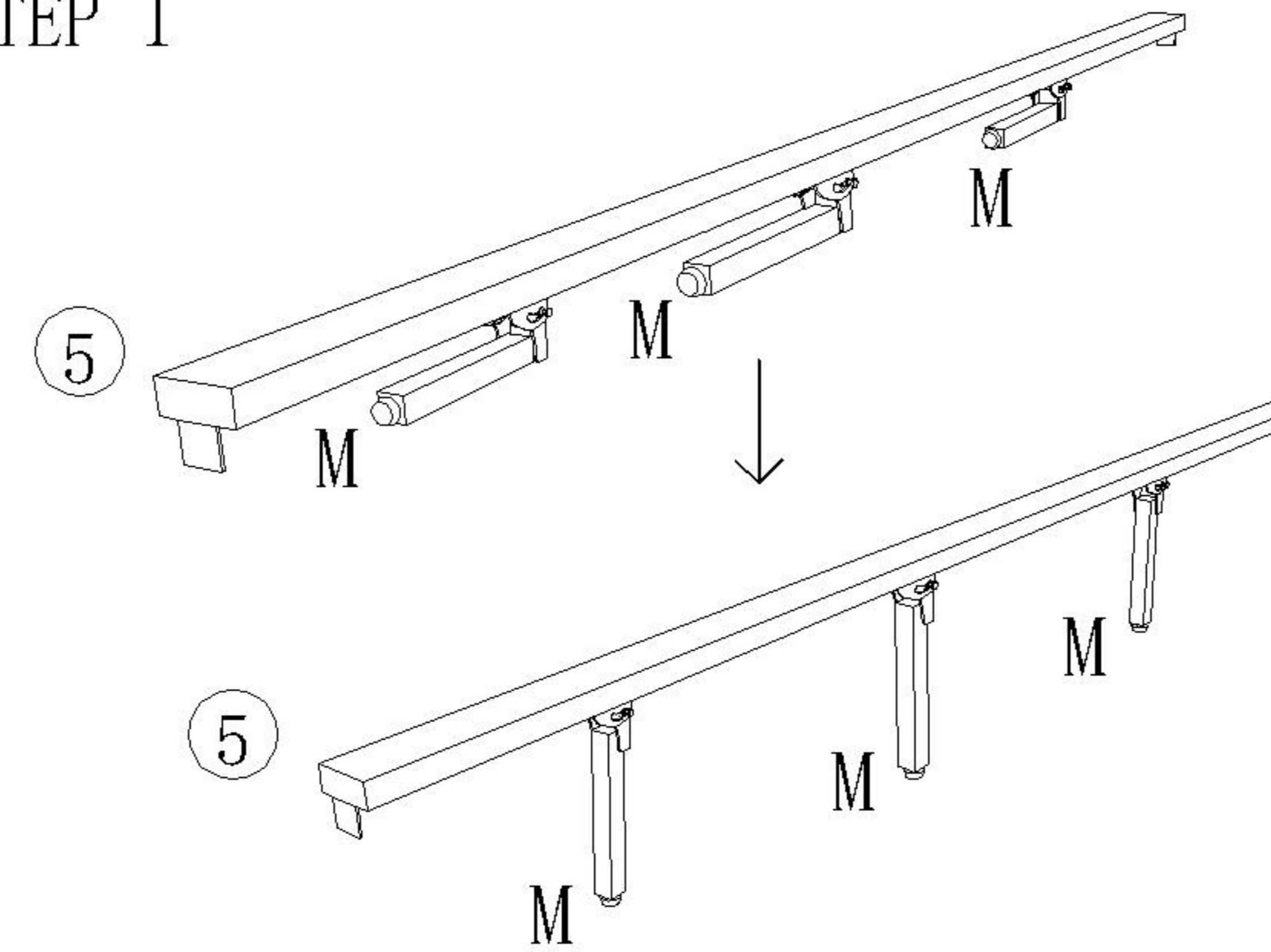
五合一的安装方法
Instruction of 5-in-1 screw

配件表/Accessories list

部件表/Parts List

编号NO.	名称Name	图示Icon	数量QTY	编号NO.	名称Name	规格Specification	数量QTY	材质material
A	M8*20内六角螺栓 M8*20 Hexagon socket bolt		12	①	床头 The head of a bed	1510*980*100	1	实木 Solid wood
B	M8*13弹垫 shim-(M8*13mm) spring		12	②	床尾 The end of the bed	1500*130*40	1	实木 Solid wood
C	M8*16平垫 shim-(M8*16) colored zinc		12	③	床尾腿 Bed tail leg	230*60*60	2	实木 Solid wood
D	自攻螺丝4*25 Self-tapping screw-(M4*25mm)		24	④	床边 Bed side	1970*130*45	2	实木 Solid wood
E	5mm六角扳手 spanner-(5mm) hex		1	⑤	床中横 Bed board support strip	1990*60*25	1	实木 Solid wood
F	全牙丝杆M6*80mm screw-(M6*80mm) color zinc		8	⑥	床铺板 Bed board	1456*1960*14	1	实木 Solid wood
G	半月介 M6 Semilunar M6		8					
H	M6外六角螺帽 M6 Outer hexagon nut		8					
I	M6套扳手 M6 Set wrench		1					
J	铁板角撑 Iron plate Angle brace		2					
K	梅花角铁 Plum blossom angle iron		2					
L	自攻螺丝4*16 Self-tapping screw-(M4*16mm)		4					
M	中腿 metal foot		3					

STEP 1



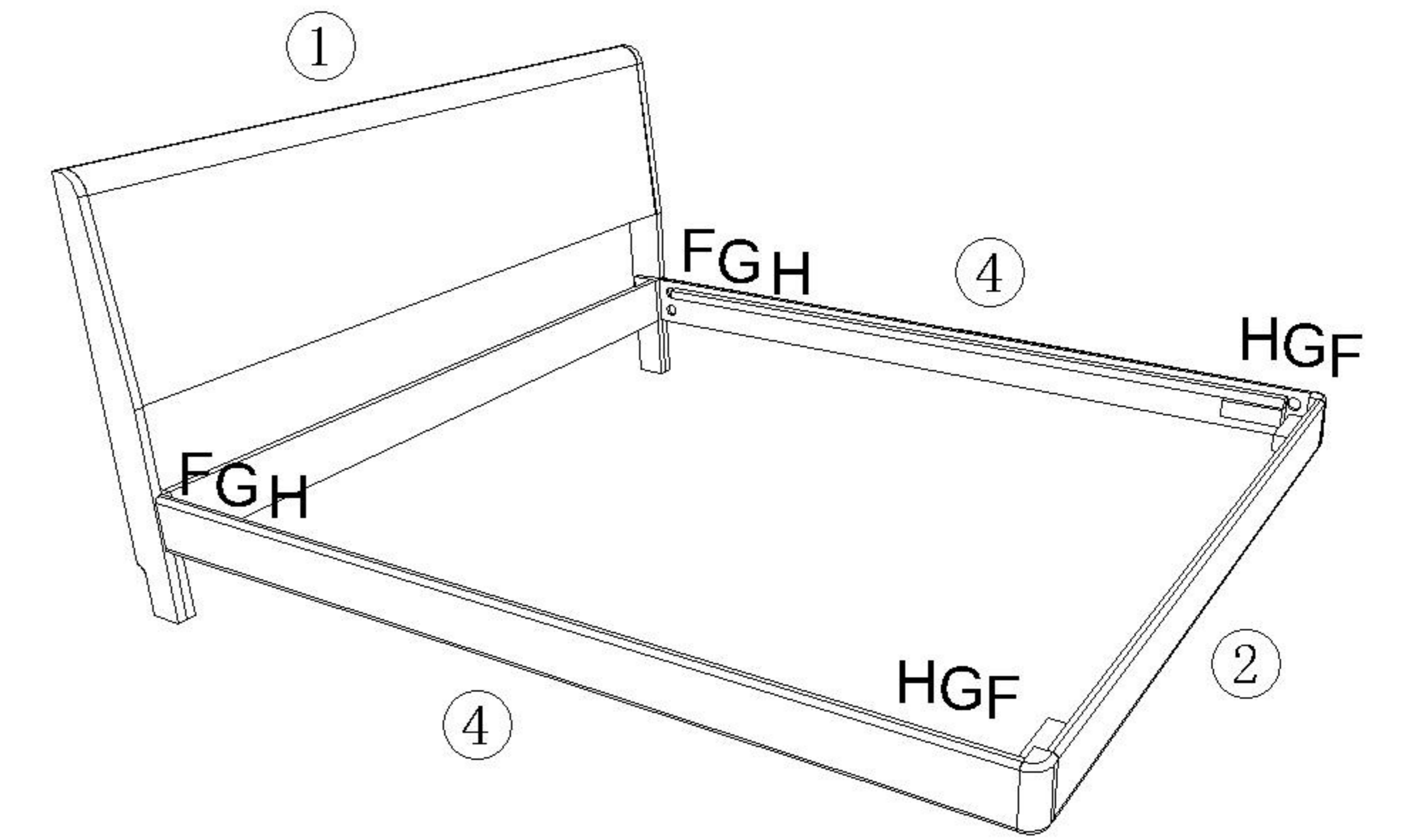
△ 如图所示，将部件5的五金M往外掰出（听到“咔”一声即可）

注：中腿底部带可调节脚钉，高度可调

As shown in the figure, pull out the hardware M of Part 5 (just hear the "click")

Note: the bottom of the middle leg is equipped with adjustable foot nails, and the height is adjustable

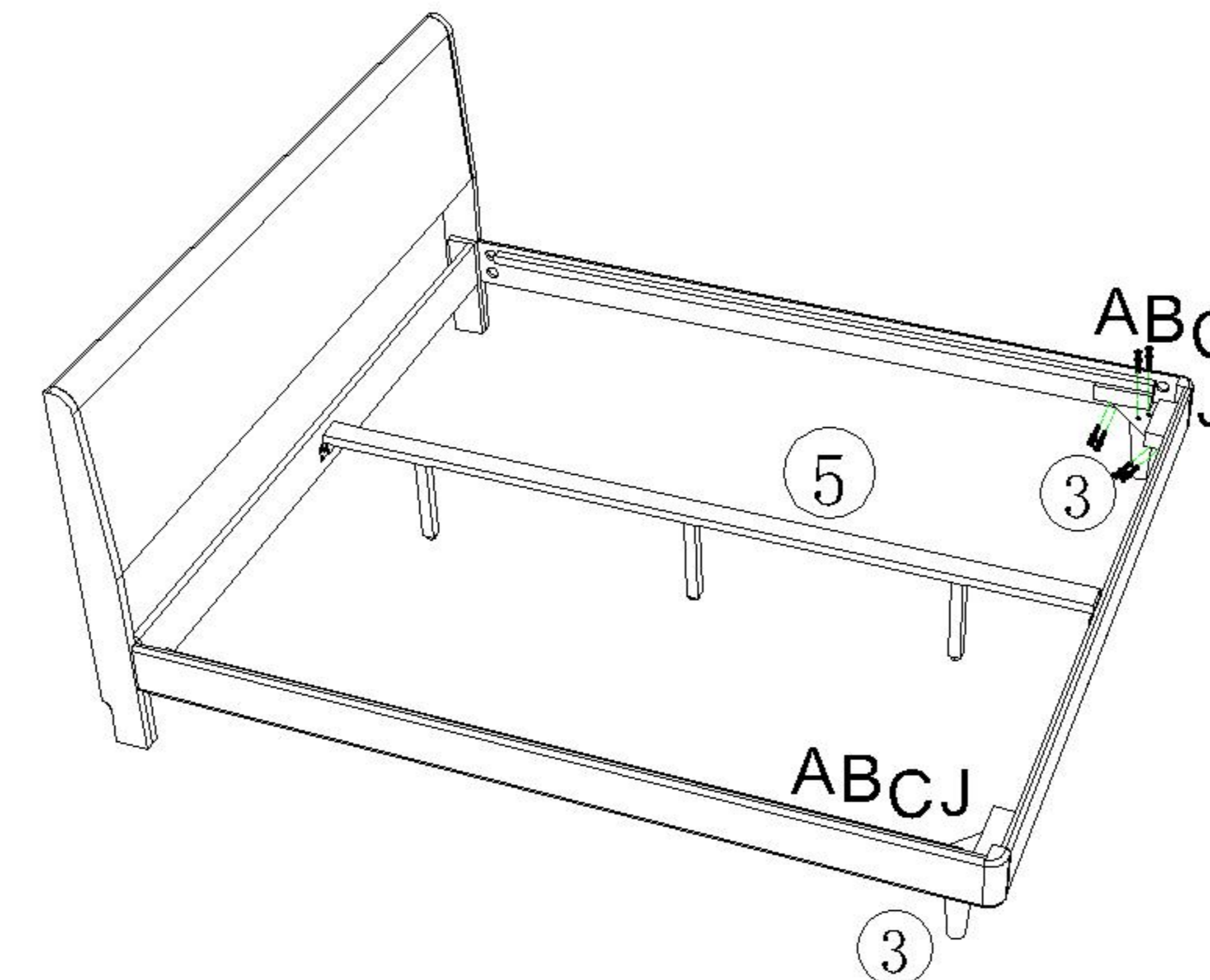
STEP 2



△ 将部件1、部件2和部件4用五金F、G、H连接。

Connect part 1, Part 2 and Part 4 with hardware F, G and H.

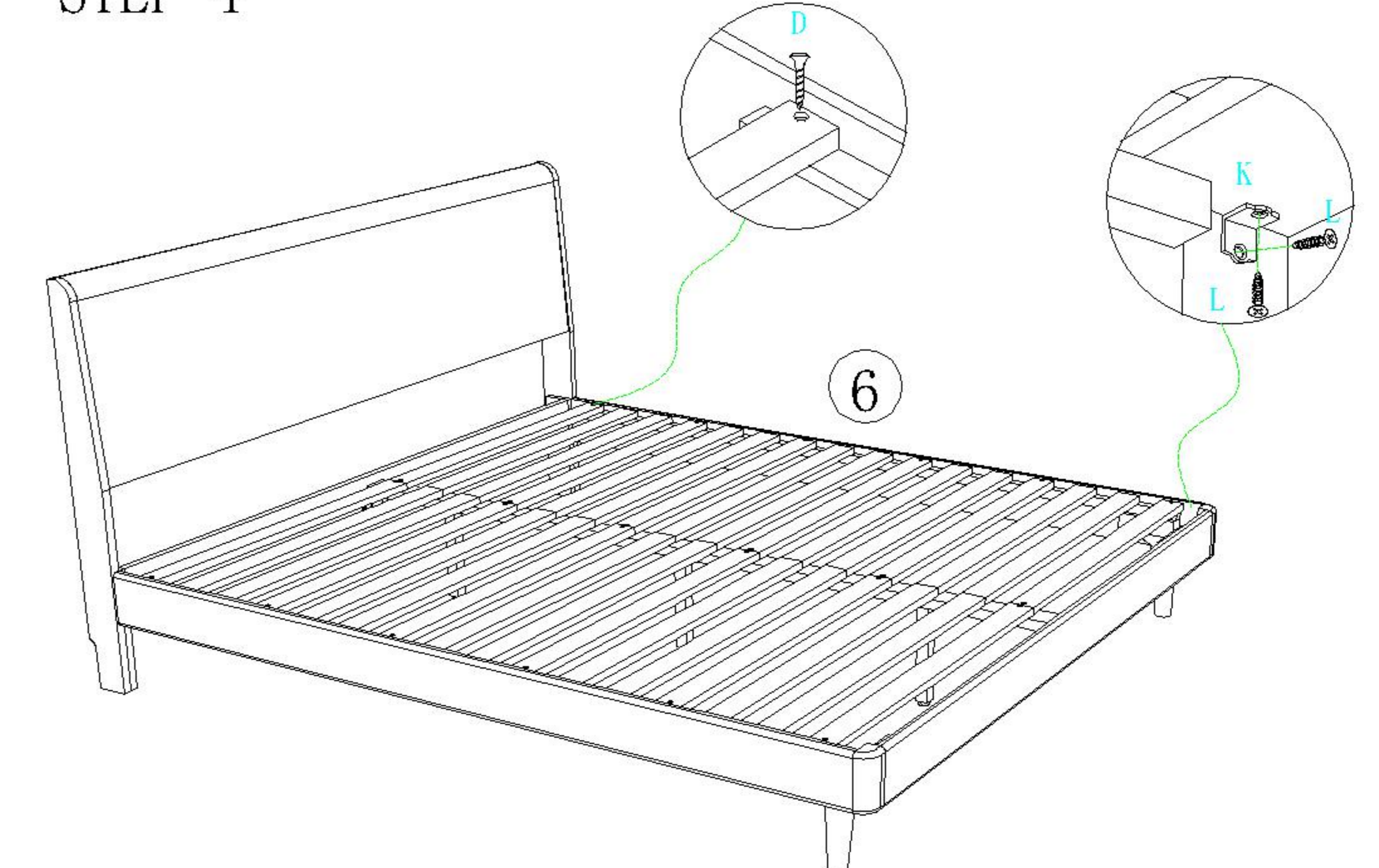
STEP 3



△ 将组好的STEP2和部件3用五金A、B、C、J连接；把装好的step2和装好的step1在相应位置连接。

Connect the assembled STEP2 and part 3 with hardware A, B, C and J; Connect the installed Step2 with the installed step1 at the corresponding position.

STEP 4



△ 将部件6放在组好的STEP3上，并用五金D、K、L固定。

Put the part 6 on the assembled STEP3 and fix it with hardware D, K and L..

