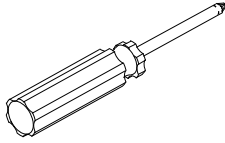
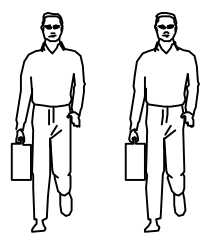


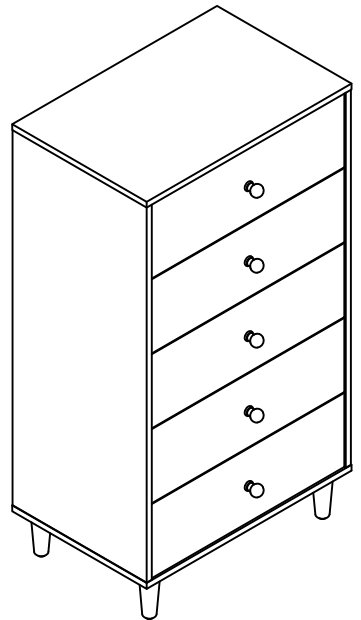
LINSY 林氏家居

五金表/Hardware list

部件表/Parts List

安装示意图/Assembly Instruction

产品名称 Model NO.	LS187E3-C(0.6m)
产品规格 Specification	606*435*1107mm
安装工具 Tool	安装人数 Installer
	

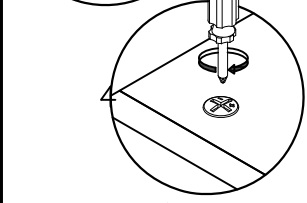
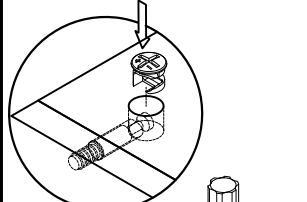
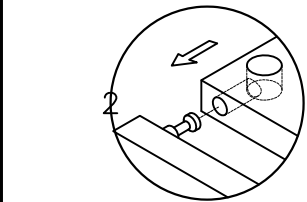
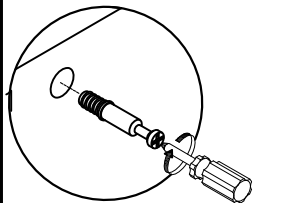


 (A)* 4 透明防滑PVC胶塞 Rubber stopper	 (B)* 8 背板扣 Back Plate Buckle-White	 (C)* 1 家具防倒器-白色 Anti-fall device white	 (D)* 17 二合一螺杆(32mm) 2-in-1-screw
 (E)* 17 大三合一锁饼(15mm) Three-in-one large lock	 (F)* 32 小三合一锁饼(13mm) small three-in-one lock	 (G)* 32 小二合一杆7*28 small two-in-one rod	 (H)* 4 斜边十字螺杆-M8x35 bevel cross screw
 (I)* 32 塑料螺母 Plastic Nut	 (J)* 5 自攻大扁M4*35mm Self tapping flat screw	 (K)* 32 自攻螺丝M4x40mm Self-tapping screw	 (L)* 63 自攻螺丝M3.5x12mm Self-tapping screw
 (M)* 8 自攻螺丝M3.5x16mm Self-tapping screw	 (N)* 8 木榫Ø8x30mm wood tenon	 (O)* 5 圆形拉手 Round handle	 (P)* 5 三节滚珠导轨-10" three-section ball rail
 (Q)* 1 背板槽-棕色L=960mm Backplane slot - Brown			

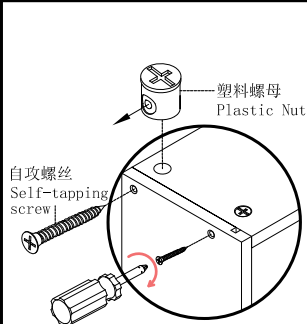
编号NO.	名称Name	规格(mm) Specification	数量QTY	材质Material
①	面板 Top panel	606*398*15	1	三胺板 Melamine
②	底板 Bottom board	606*398*15	1	三胺板 Melamine
③	侧板 Side board	962*397*15	2	三胺板 Melamine
④	背板 Back board	972*291*5	2	三胺板 Melamine
⑤	拉条 Brace	574*58*15	2	三胺板 Melamine
⑥	抽屉面板 Drawer's top panel	570*190*15	5	三胺板 Melamine
⑦	抽屉左侧板 Drawer's side board(L)	340*142*12	5	三胺板 Melamine
⑧	抽屉右侧板 Drawer's side board(R)	340*142*12	5	三胺板 Melamine
⑨	抽屉后板 Drawer's Back board	524*142*12	5	三胺板 Melamine
⑩	抽屉底板 Drawer's Bottom board	534*336*5	5	三胺板 Melamine
⑪	抽屉底托条 Drawer's bottom bracket	326*58*12	5	三胺板 Melamine
⑫	脚 Foot	110*46*46	4	实木 Wood

LS187E3-C (0.6m)

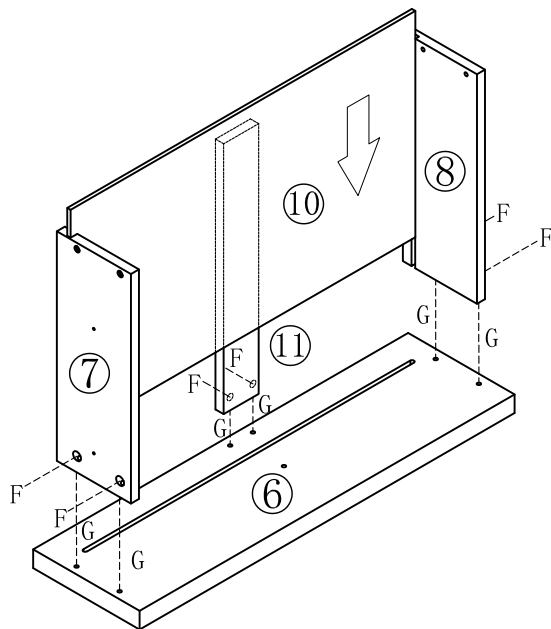
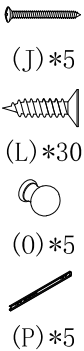
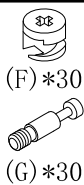
安装方法
Installation method



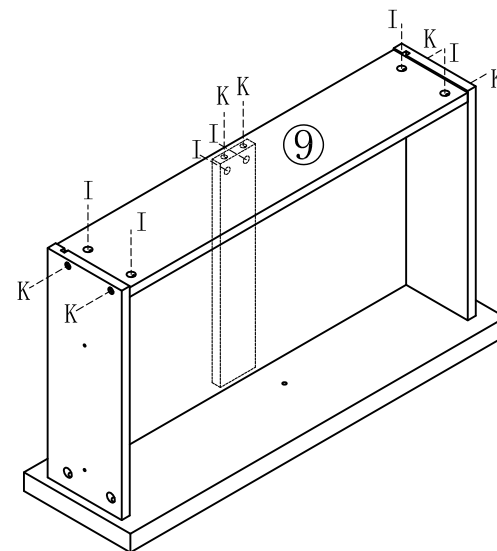
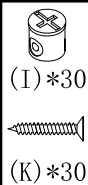
小二合一
small two-in-one



塑料螺母 Plastic Nut

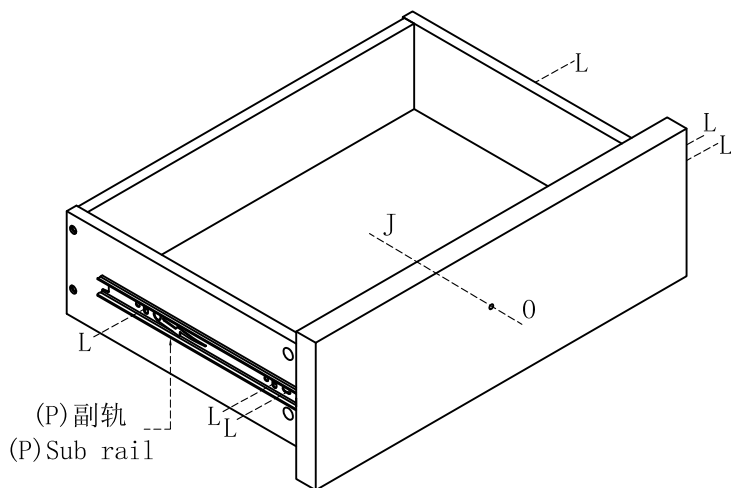
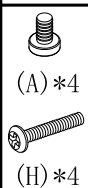


1



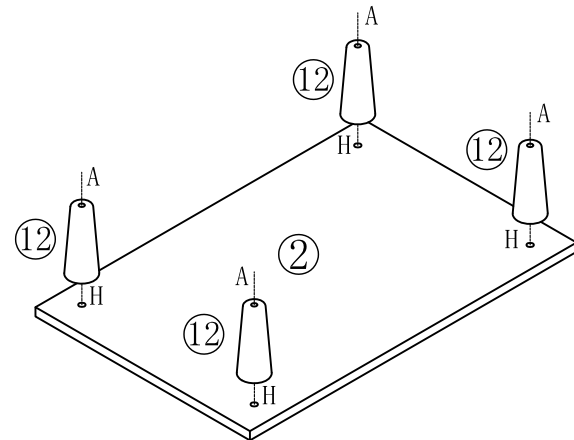
2

3



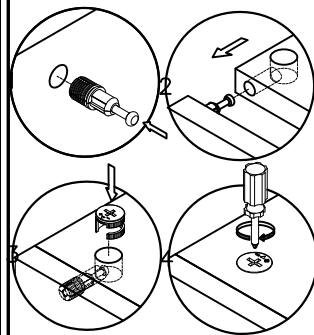
(P) 副轨
(P) Sub rail

4



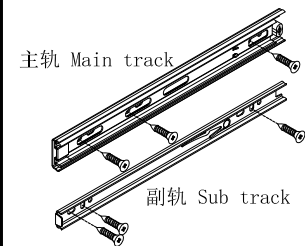
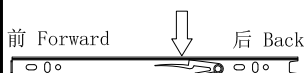
LS187E3-C (0.6m)

安装方法
Installation method

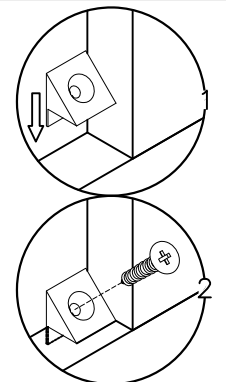


二合一 two-in-one

阀门开关(下压为开)
Valve switch (press down to open)

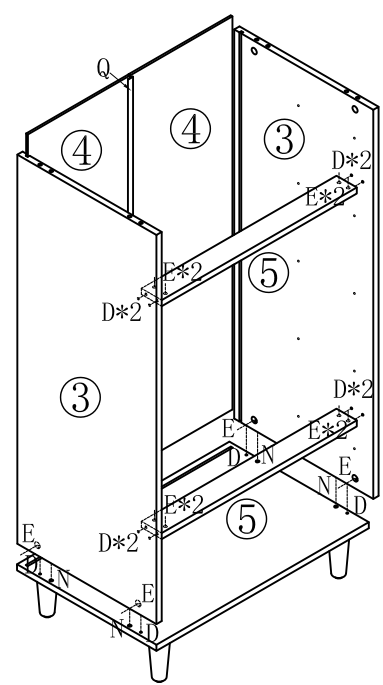


三节滚珠导轨
Three-section rail

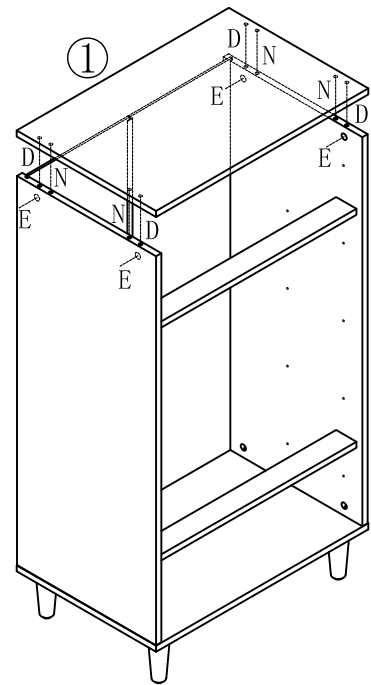


背板扣
Back Plate Buckle

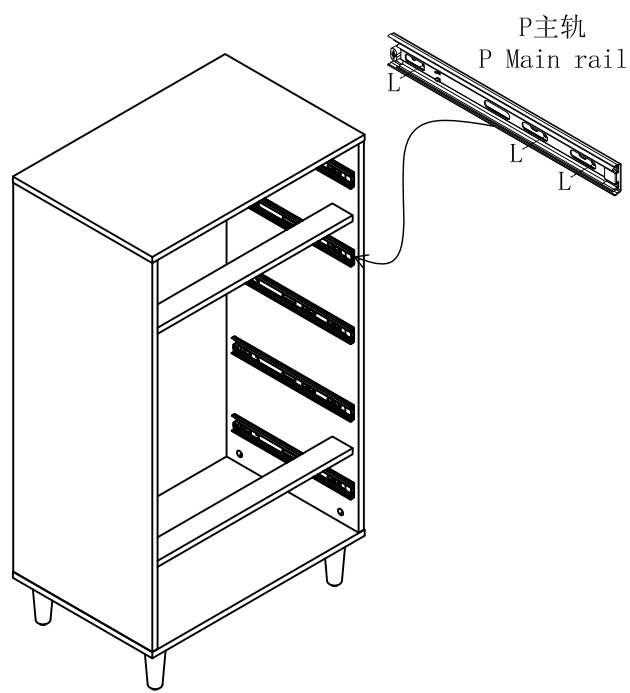
- (D)*12
- (E)*12
- (N)*4
- (Q)*1



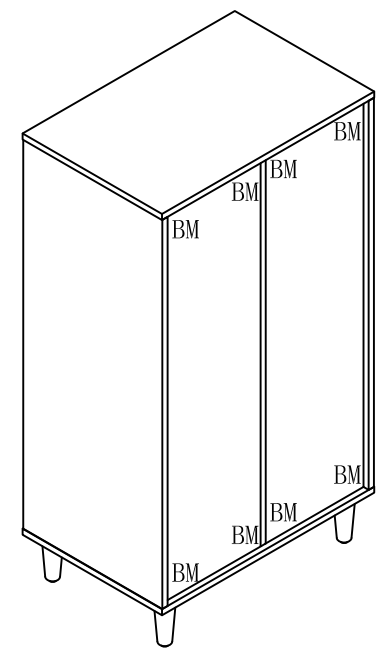
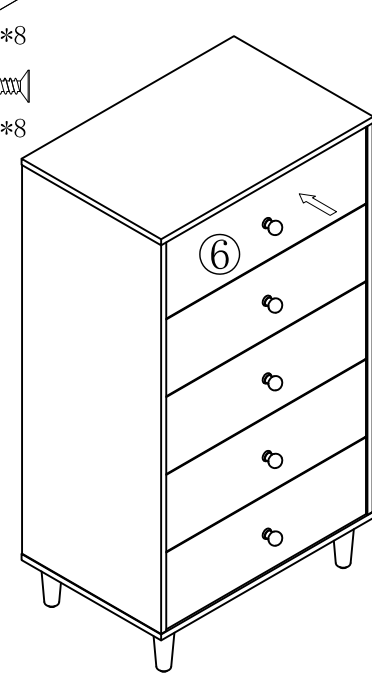
- 5
- (D)*4
 - (E)*4
 - (N)*4



- (L)*30
- (P)*5

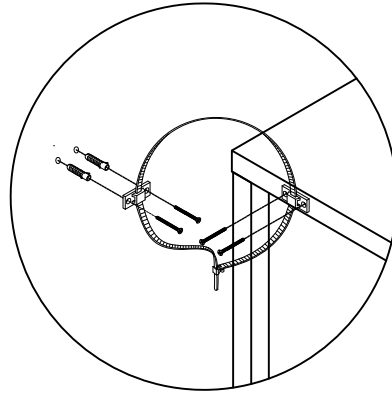


- 7
- (B)*8
 - (M)*8



- 6
- 8


(C)*1



C放大图
C Enlarged drawing

