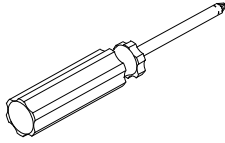
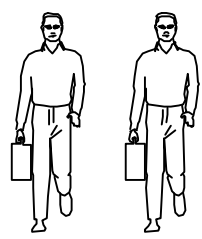


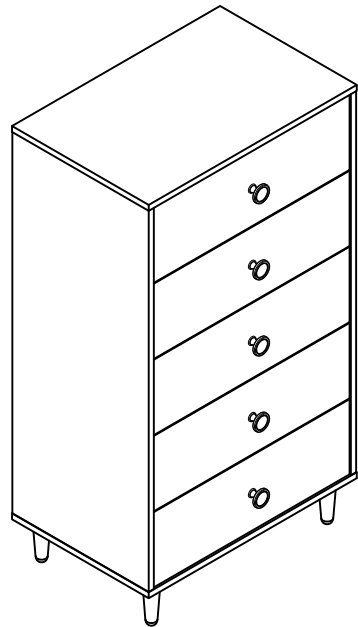
LINSY 林氏家居

五金表/Hardware list

部件表/Parts List

安装示意图/Assembly Instruction

产品名称 Model NO.	LS187E3-D(0.6m)
产品规格 Specification	606*420*1102mm
安装工具 Tool	安装人数 Installer
	

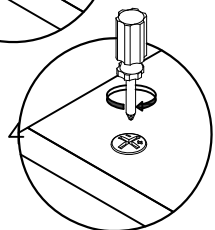
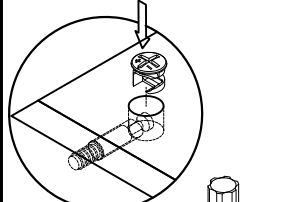
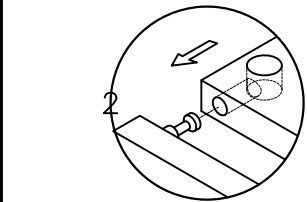
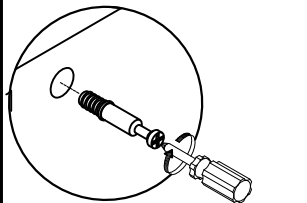


 (A)* 4 圆柱五金脚φ38*110 Cylindrical hardware foot	 (B)* 8 背板扣 Back Plate Buckle-White	 (C)* 1 家具防倒器-白色 Anti-fall device white	 (D)* 17 二合一螺杆(32mm) 2-in-1-screw
 (E)* 17 大三合一锁饼(15mm) Three-in-one large lock	 (F)* 32 小三合一锁饼(13mm) small three-in-one lock	 (G)* 32 小二合一杆7*28 small two-in-one rod	 (H)* 4 斜边十字螺杆-M8x35 bevel cross screw
 (I)* 32 塑料螺母 Plastic Nut	 (J)* 5 拉手螺丝-M4x18mm pulling screw	 (K)* 32 自攻螺丝M4x40mm Self-tapping screw	 (L)* 63 自攻螺丝M3.5x12mm Self-tapping screw
 (M)* 8 自攻螺丝M3.5x16mm Self-tapping screw	 (N)* 8 木榫Ø8x30mm wood tenon	 (O)* 5 铝合金黑色拉手 Aluminum alloy black handle	 (P)* 5 三节滚珠导轨-10" three-section ball rail
 (Q)* 1 背板槽-棕色L=960mm Backplane slot - Brown			

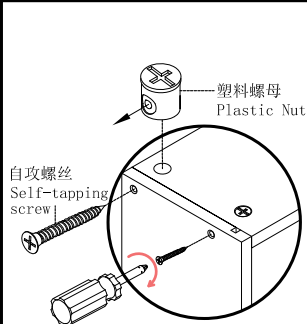
编号NO.	名称Name	规格(mm) Specification	数量QTY	材质Material
①	面板 Top panel	606*398*15	1	三胺板 Melamine
②	底板 Bottom board	606*398*15	1	三胺板 Melamine
③	侧板 Side board	962*397*15	2	三胺板 Melamine
④	背板 Back board	972*291*5	2	三胺板 Melamine
⑤	拉条 Brace	574*58*15	2	三胺板 Melamine
⑥	抽屉面板 Drawer's top panel	570*190*15	5	三胺板 Melamine
⑦	抽屉左侧板 Drawer's side board(L)	340*142*12	5	三胺板 Melamine
⑧	抽屉右侧板 Drawer's side board(R)	340*142*12	5	三胺板 Melamine
⑨	抽屉后板 Drawer's Back board	524*142*12	5	三胺板 Melamine
⑩	抽屉底板 Drawer's Bottom board	534*336*5	5	三胺板 Melamine
⑪	抽屉底托条 Drawer's bottom bracket	326*58*12	5	三胺板 Melamine

LS187E3-D (0.6m)

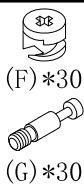
安装方法
Installation method



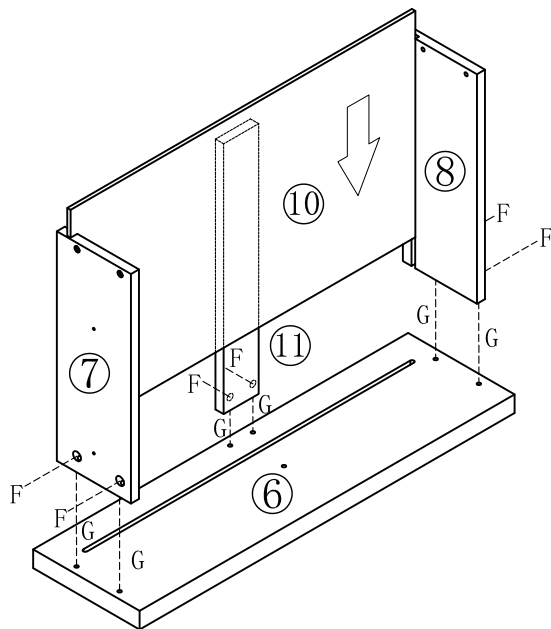
小二合一
small two-in-one



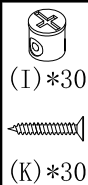
塑料螺母 Plastic Nut



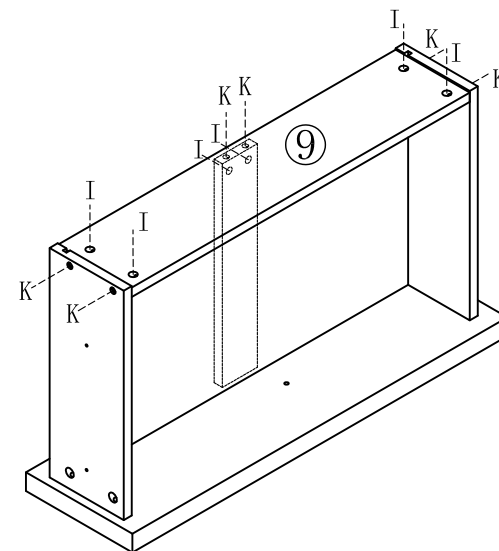
(F) *30
(G) *30



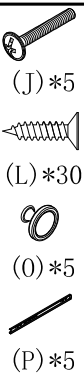
1



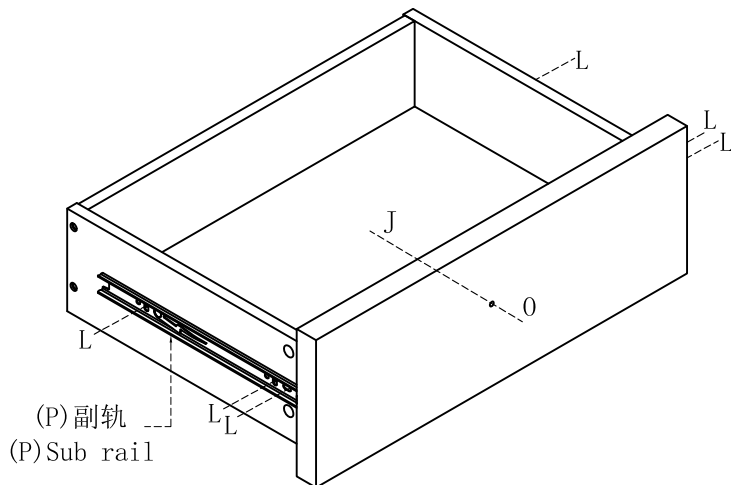
(I) *30
(K) *30



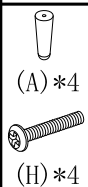
2



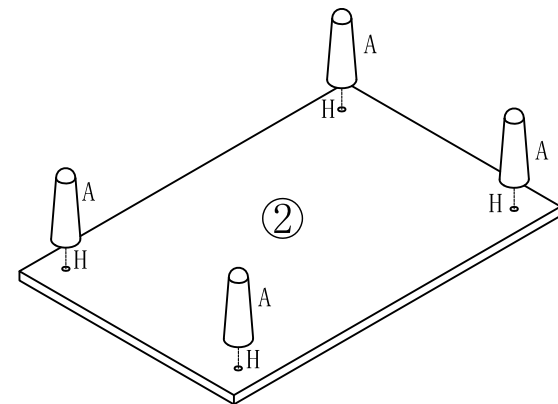
(J) *5
(L) *30
(O) *5
(P) *5



3



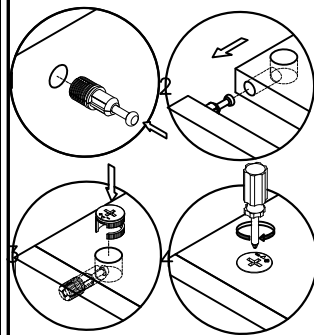
(A) *4
(H) *4



4

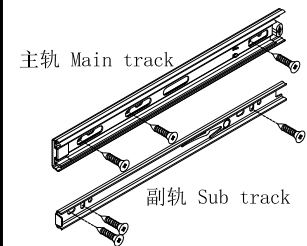
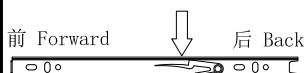
LS187E3-D (0.6m)

安装方法
Installation method

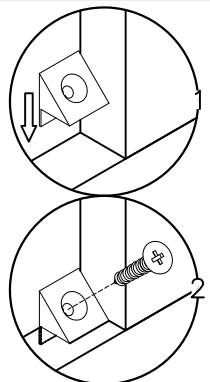


二合一 two-in-one

阀门开关(下压为开)
Valve switch (press down to open)

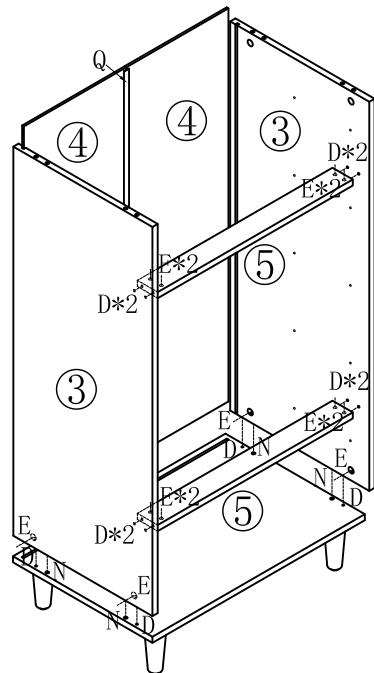


三节滚珠导轨
Three-section rail



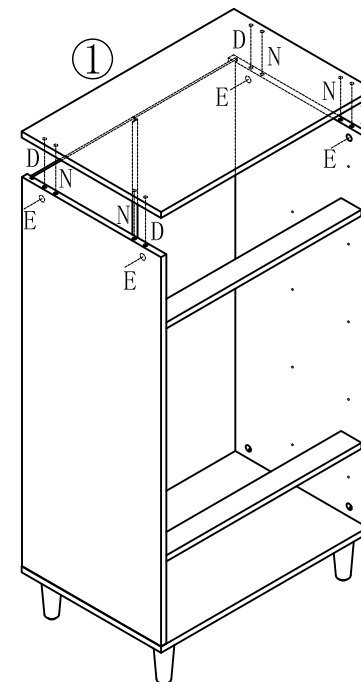
背板扣
Back Plate Buckle

- (D) *12
- (E) *12
- (N) *4
- (Q) *1



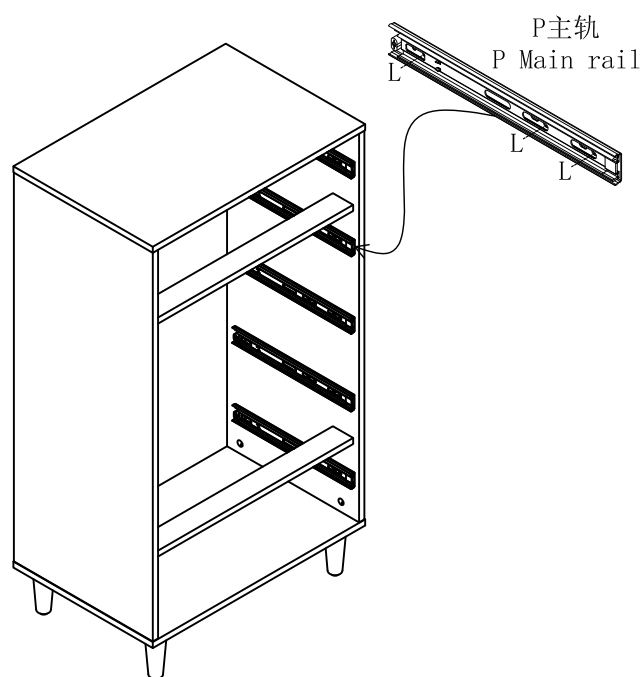
5

- (D) *4
- (E) *4
- (N) *4



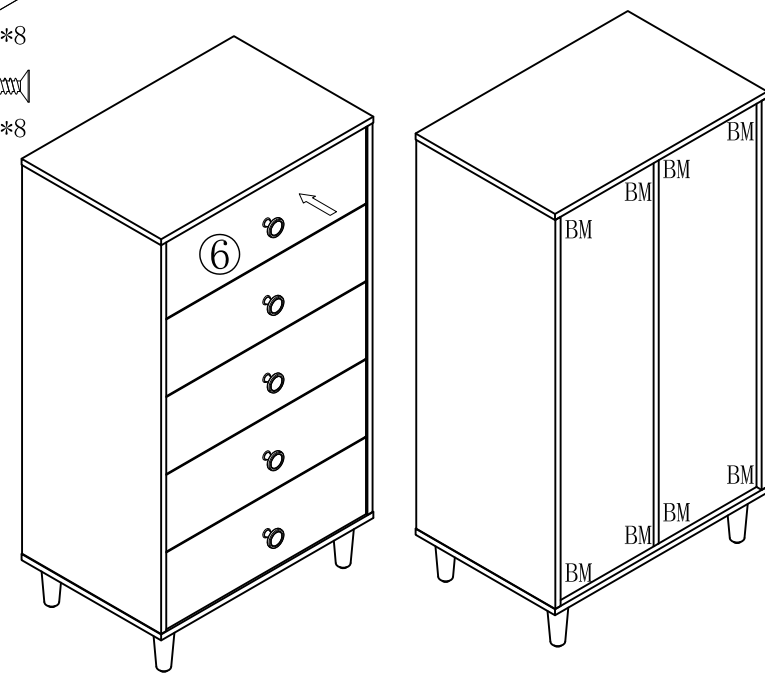
6

- (L) *30
- (P) *5



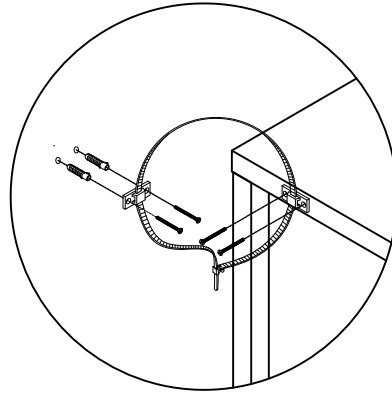
7

- (B) *8
- (M) *8



8

(C)*1



C放大图
C Enlarged drawing

