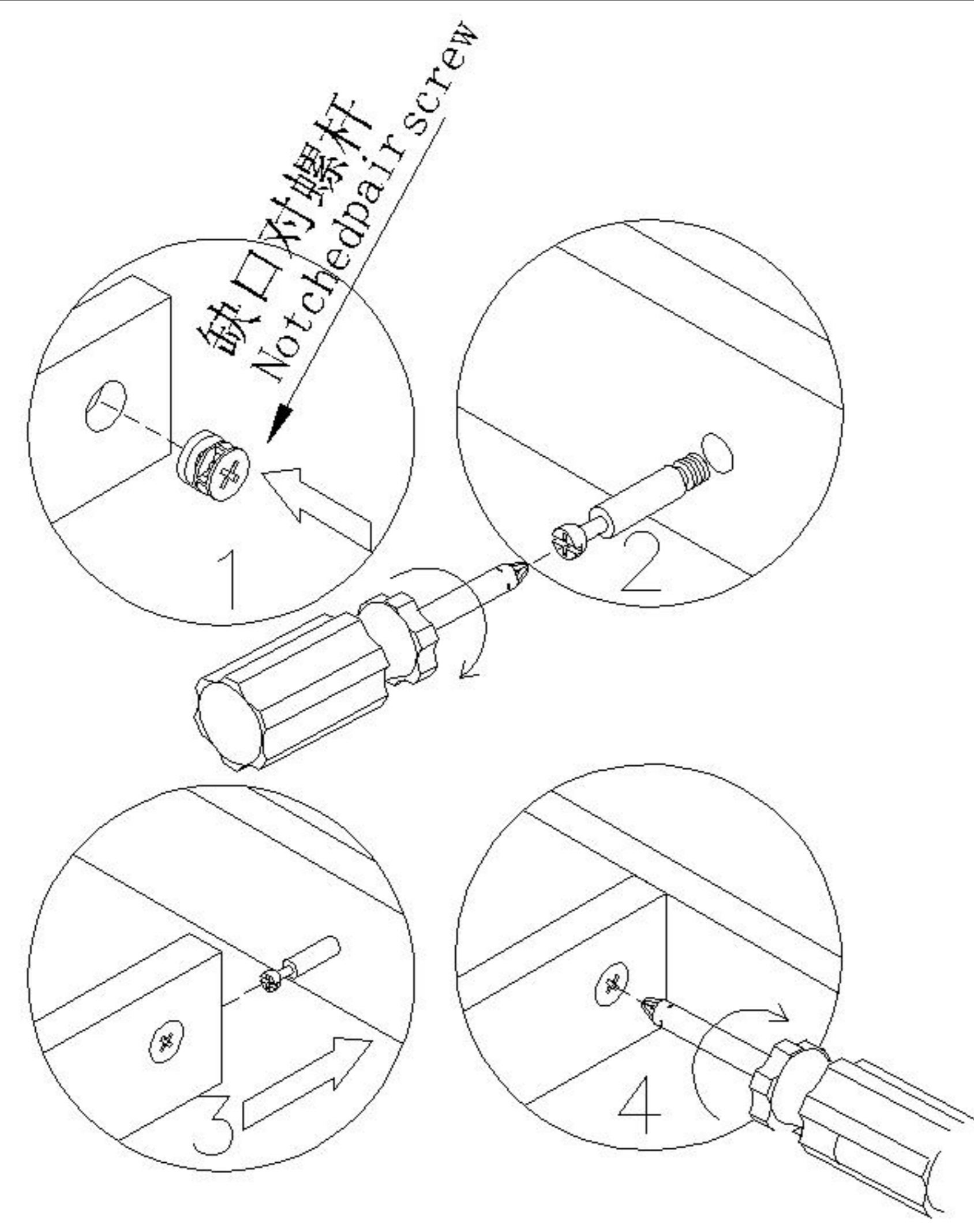
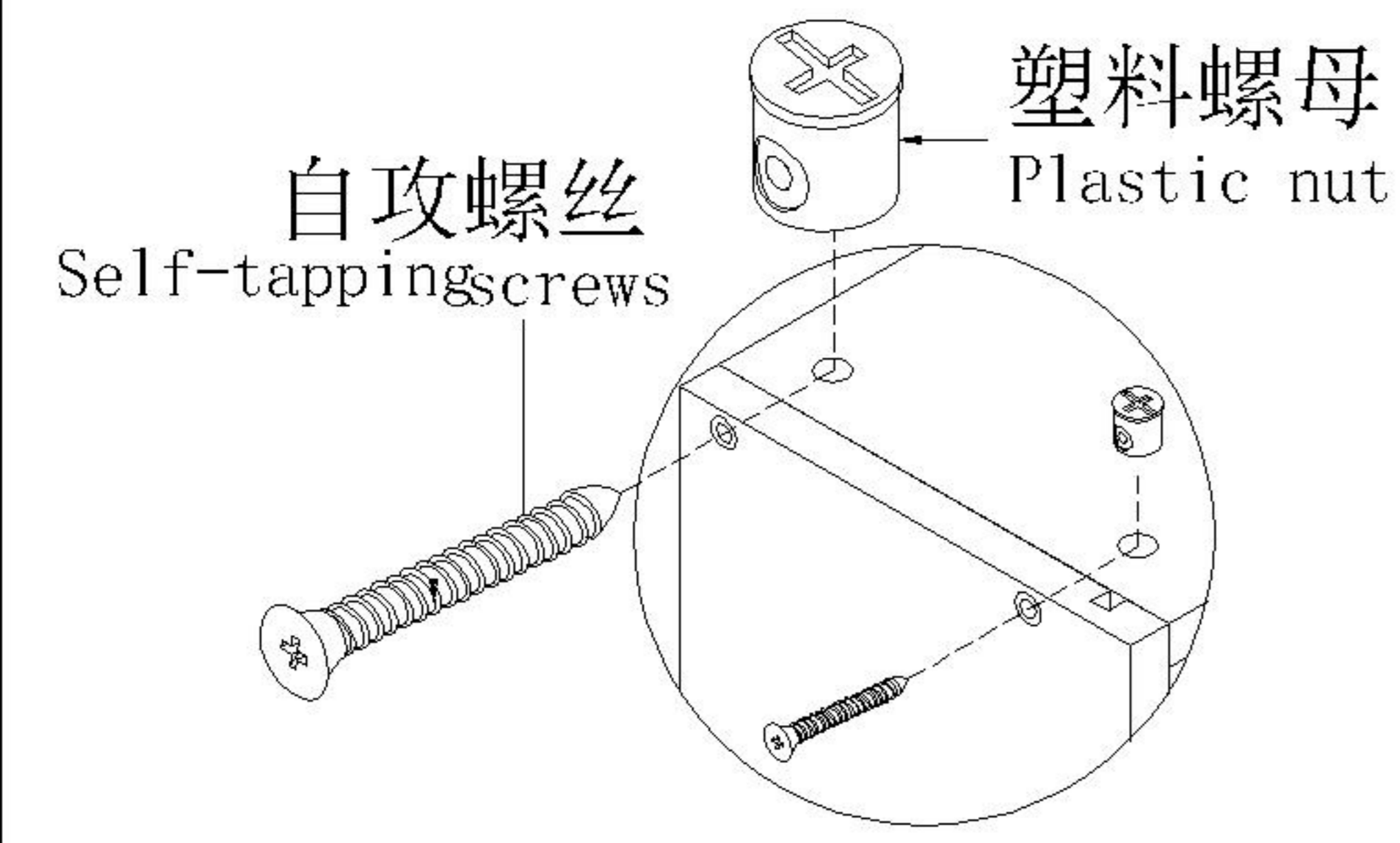


MI3E-A 0.6m

安装方法/ Installation method

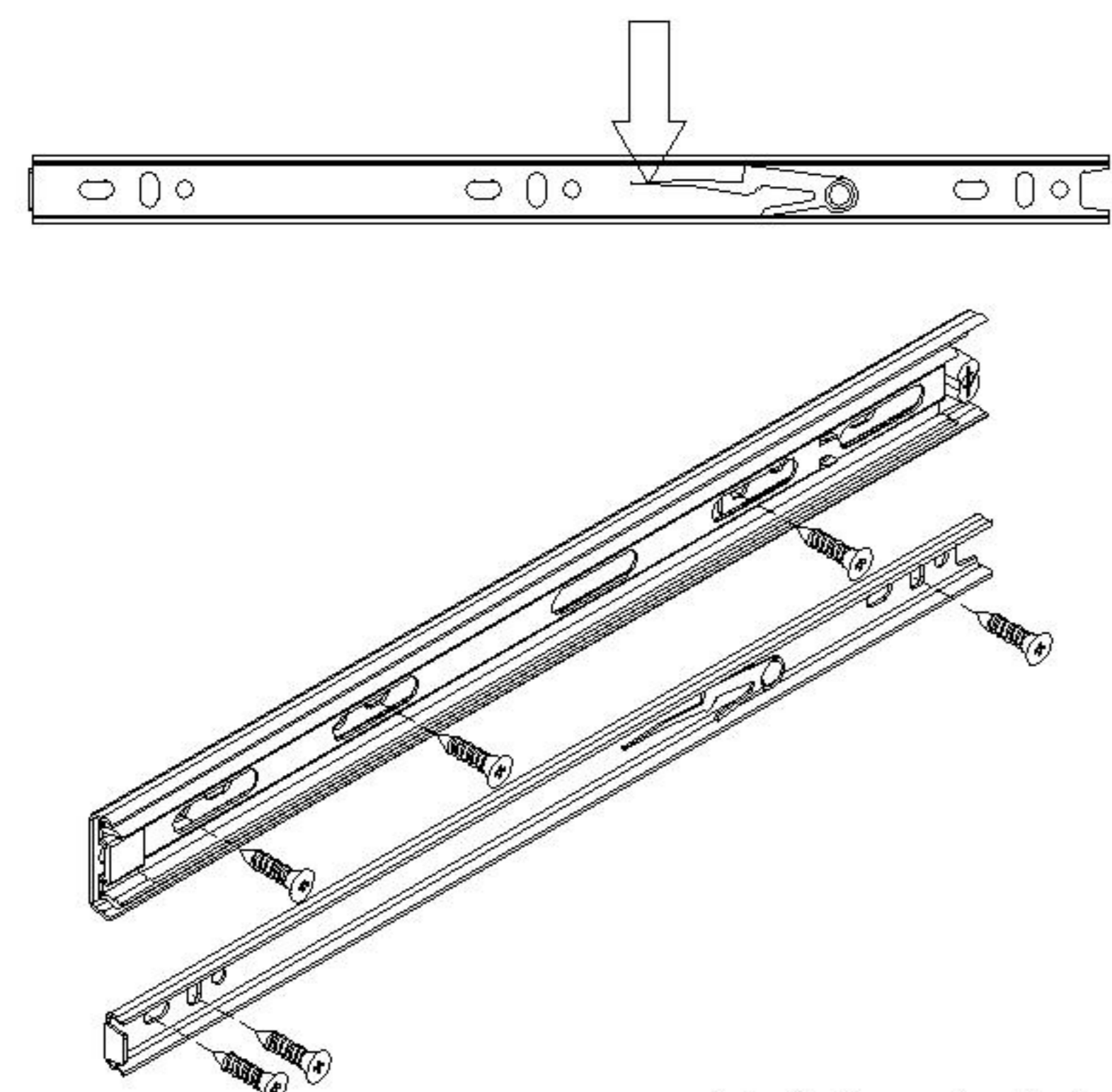


二合一/2 in 1

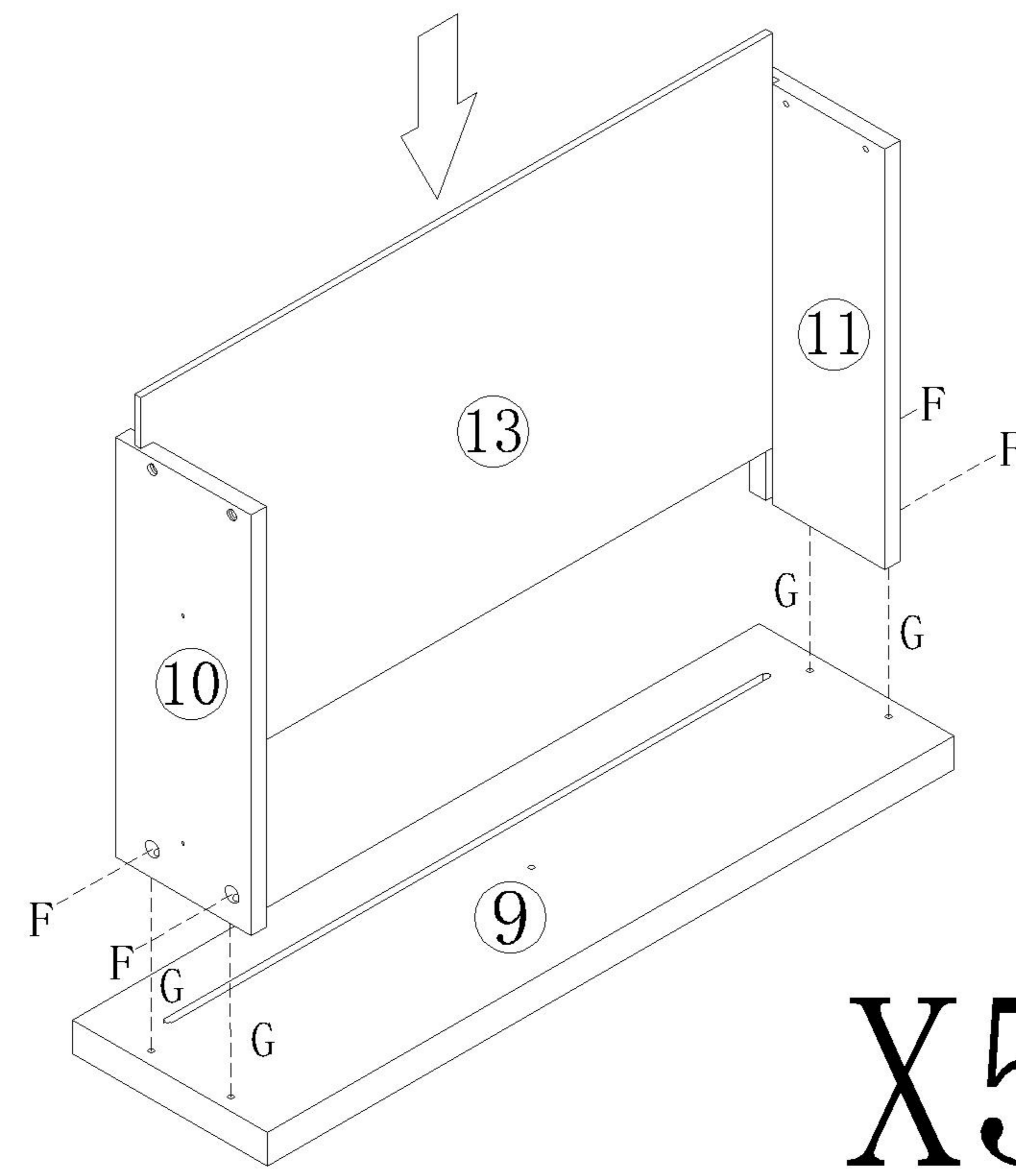
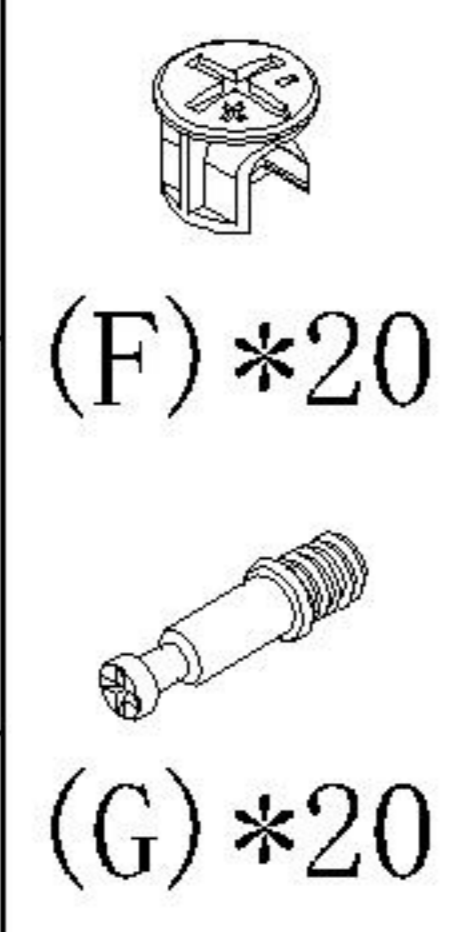


塑料螺母 Plastic nut

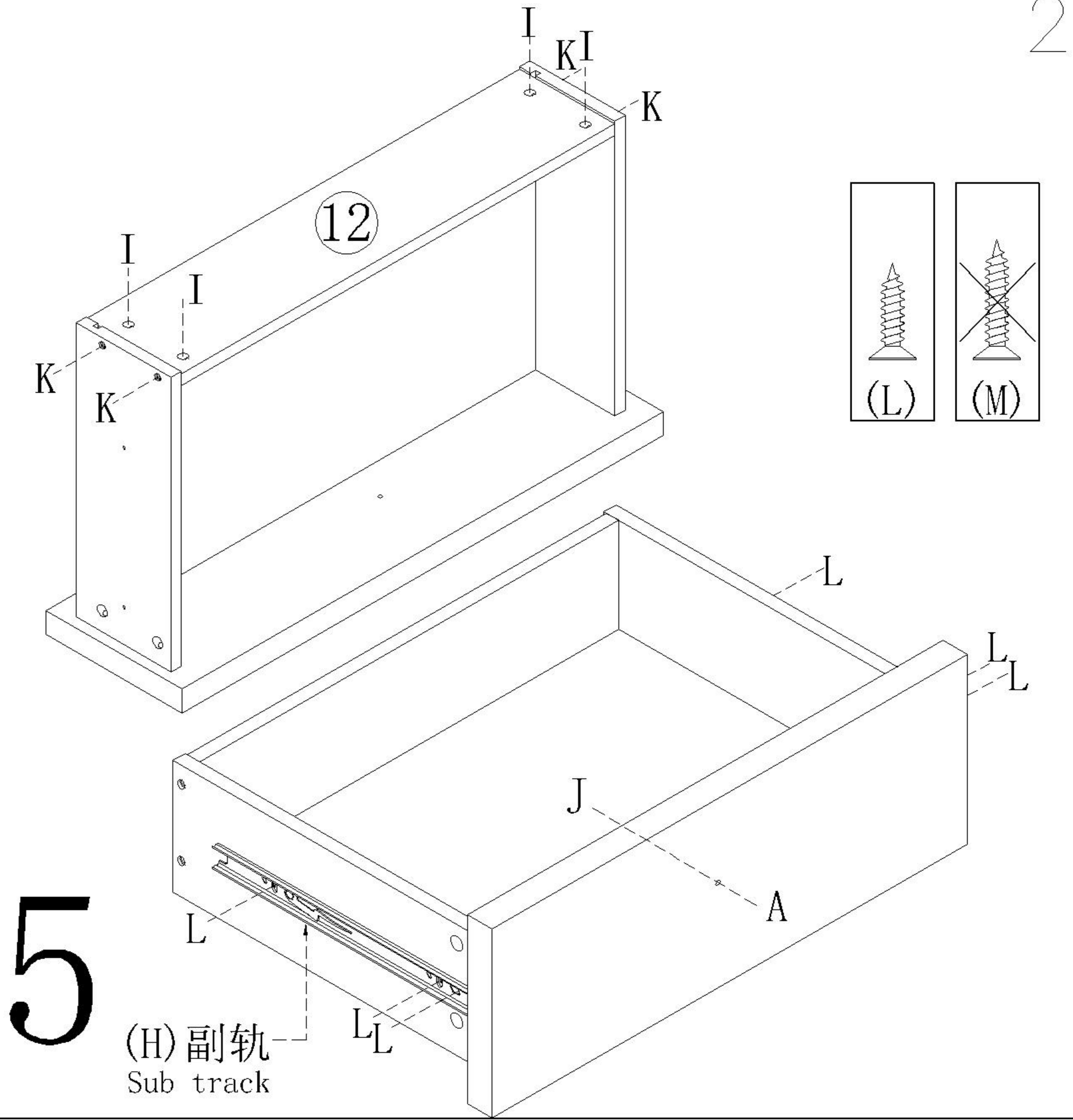
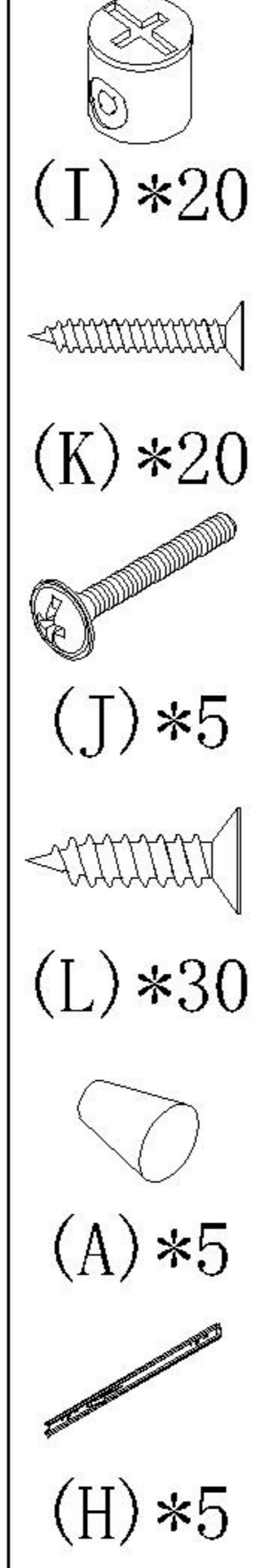
阀门开关(下压为开)
Valve switch (press down to open)



三节滚珠导轨-10"
Three Section Ball Guide-10"

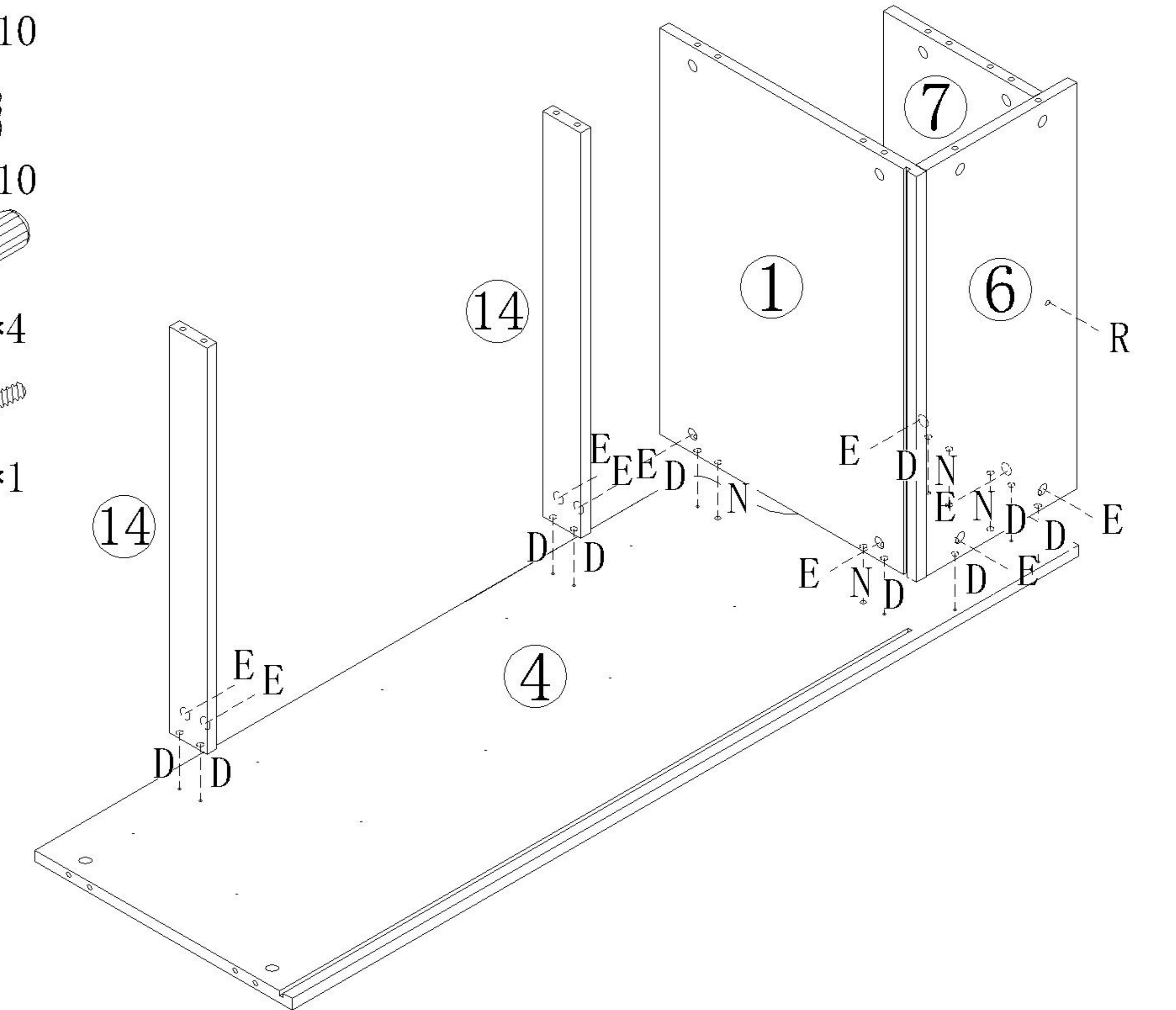
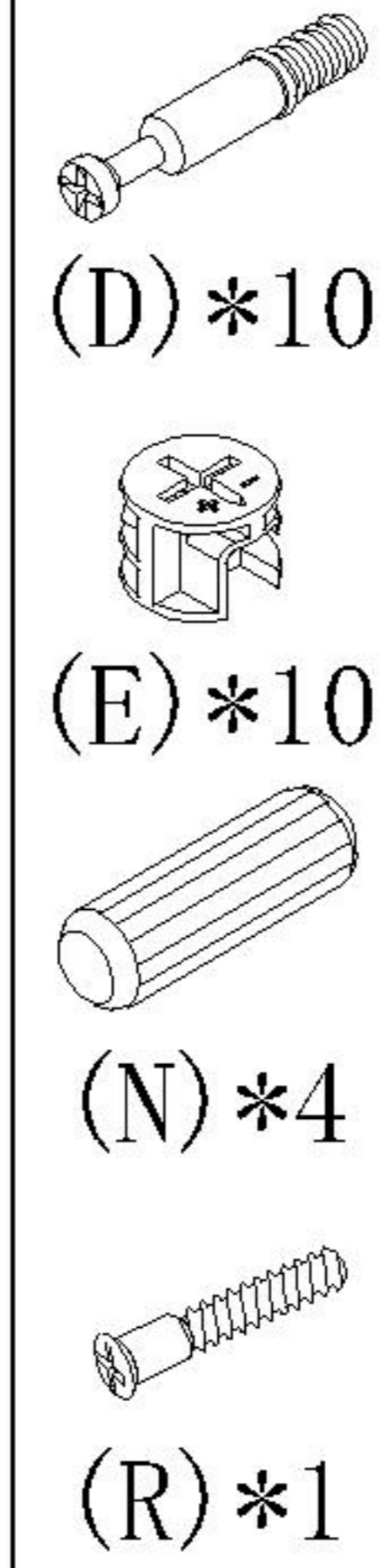
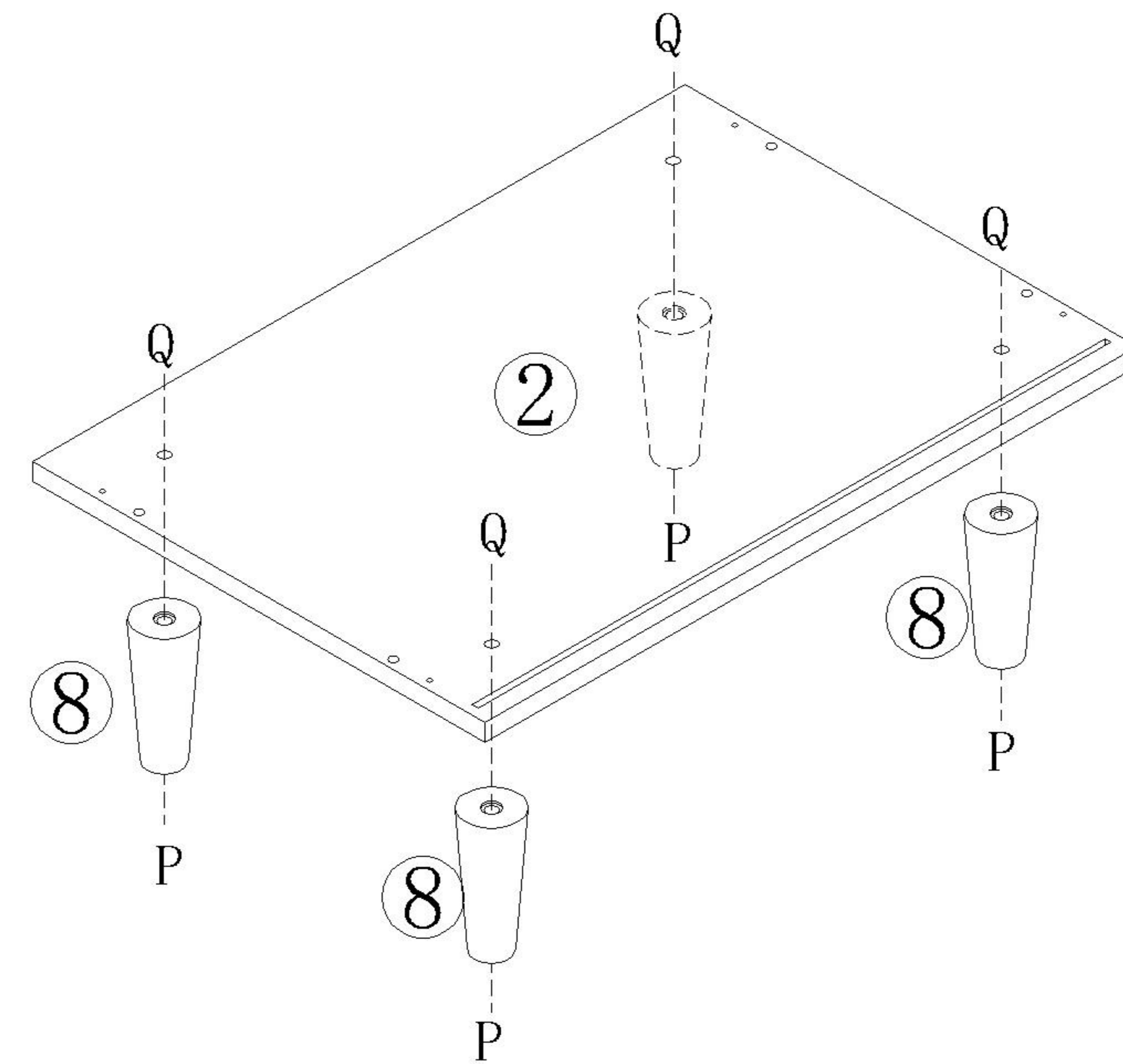
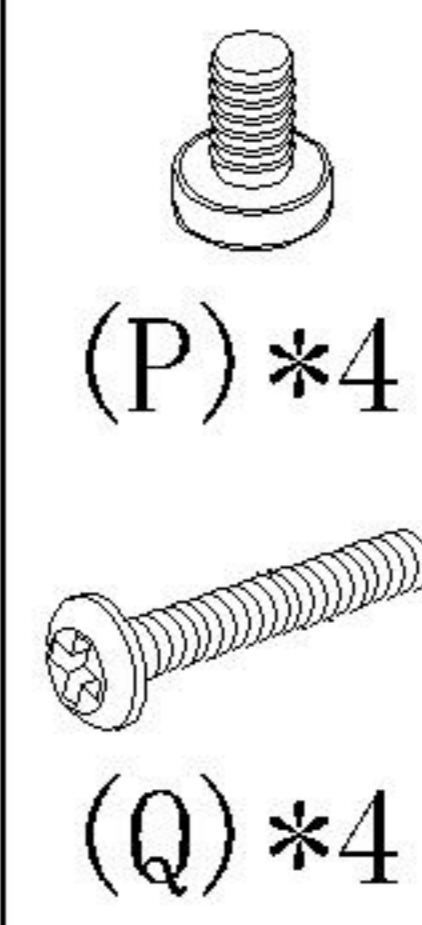


X5



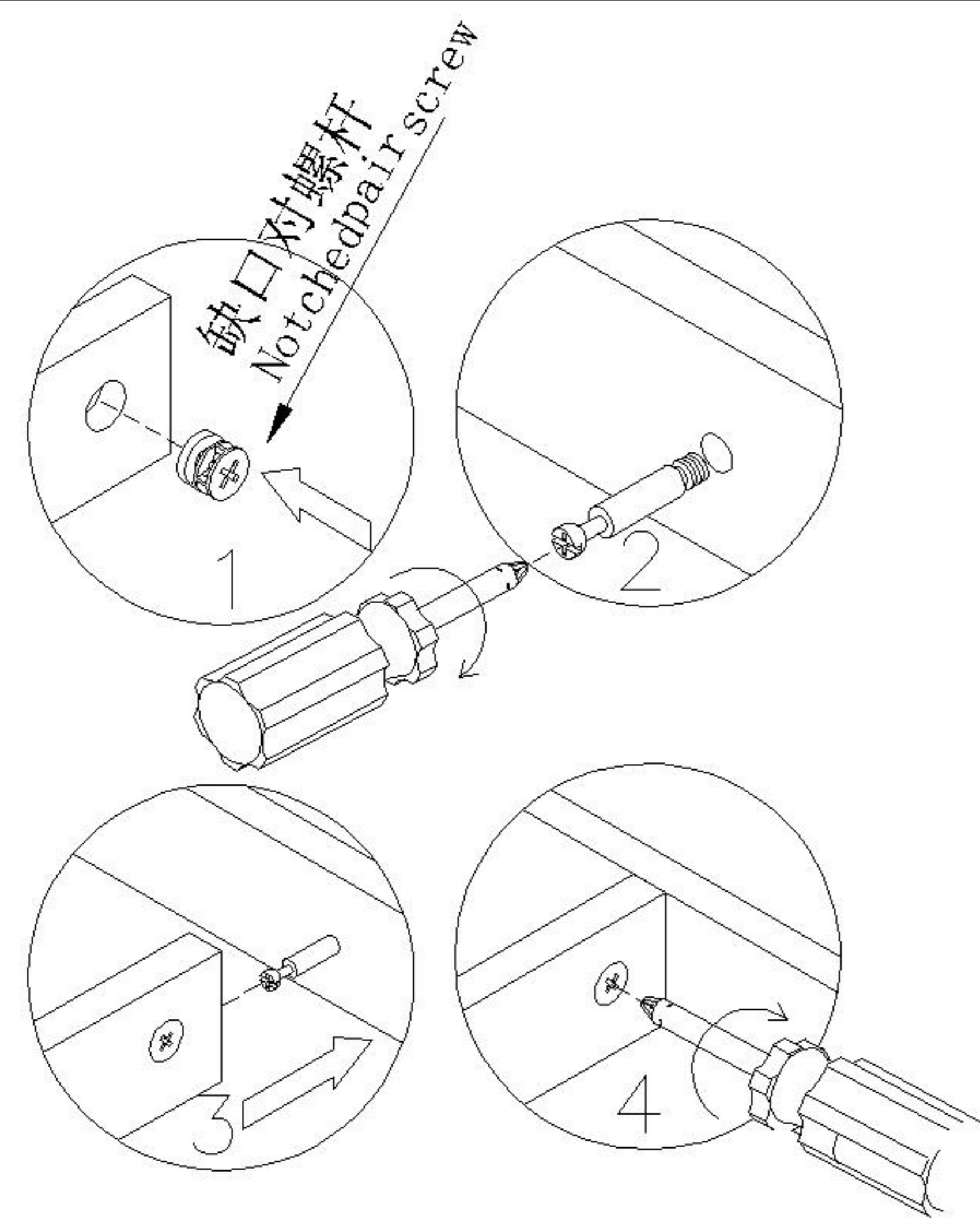
X5

(H) 副轨
Sub track



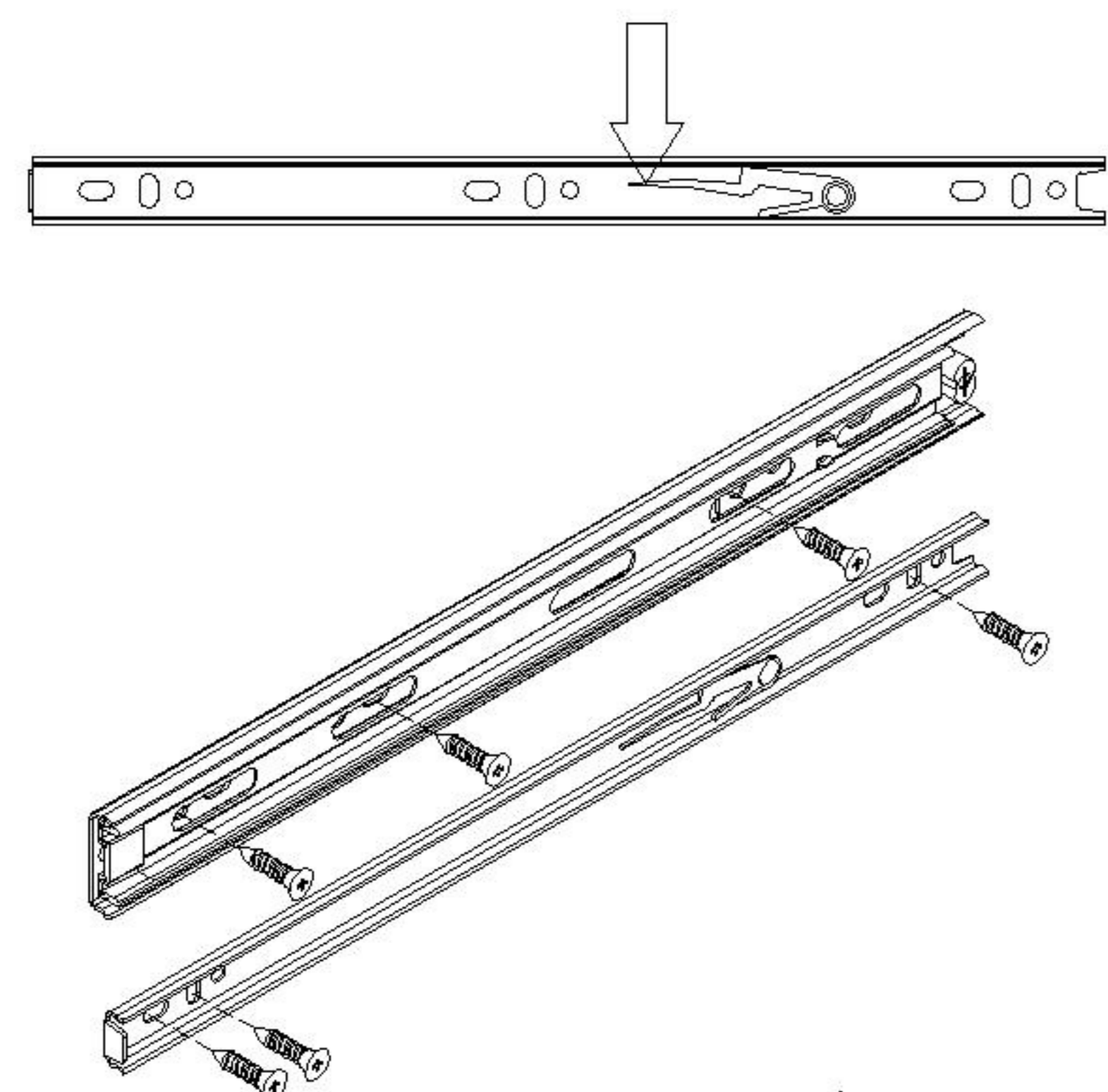
MI3E-A 0.6m

安装方法/
Installation method

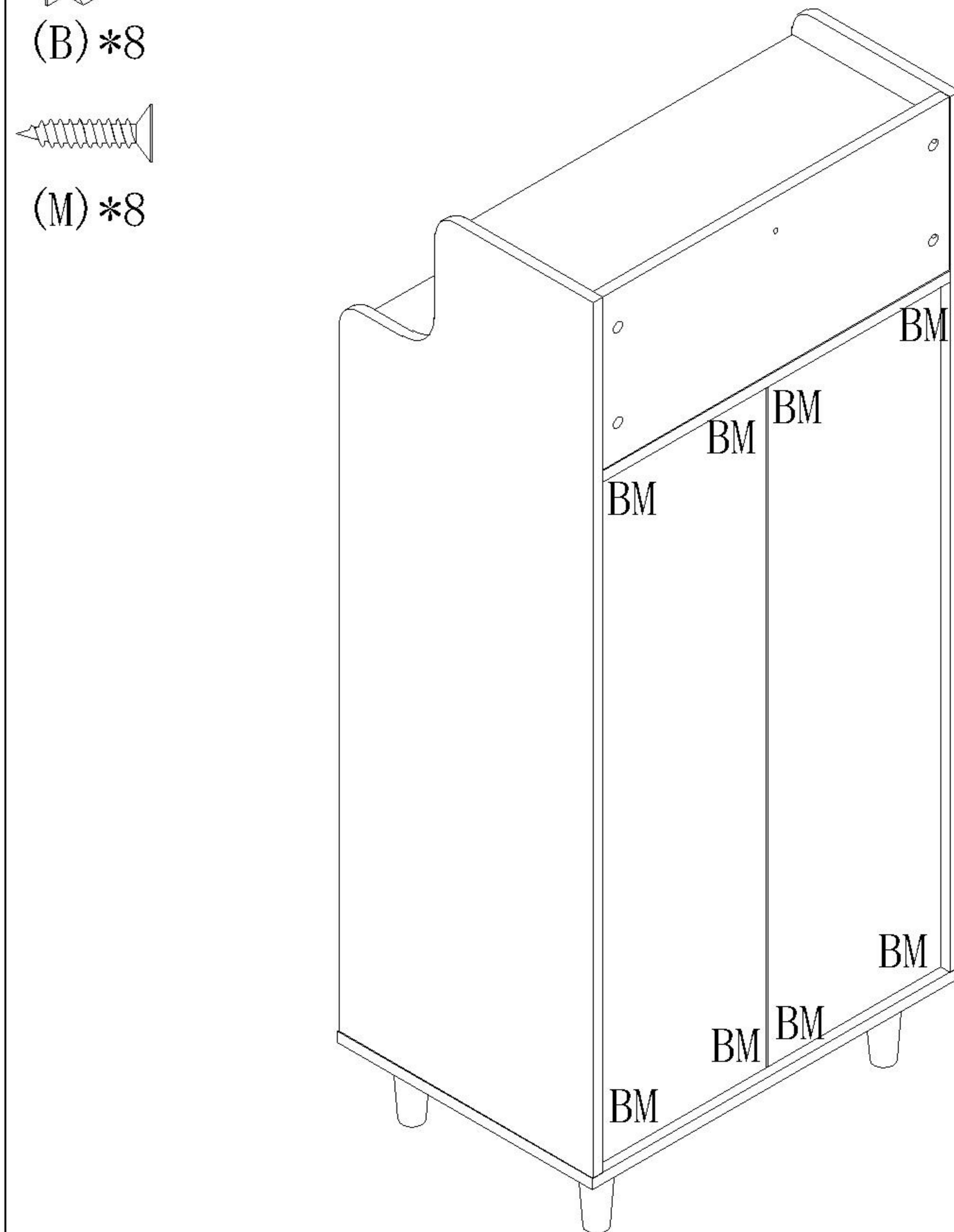
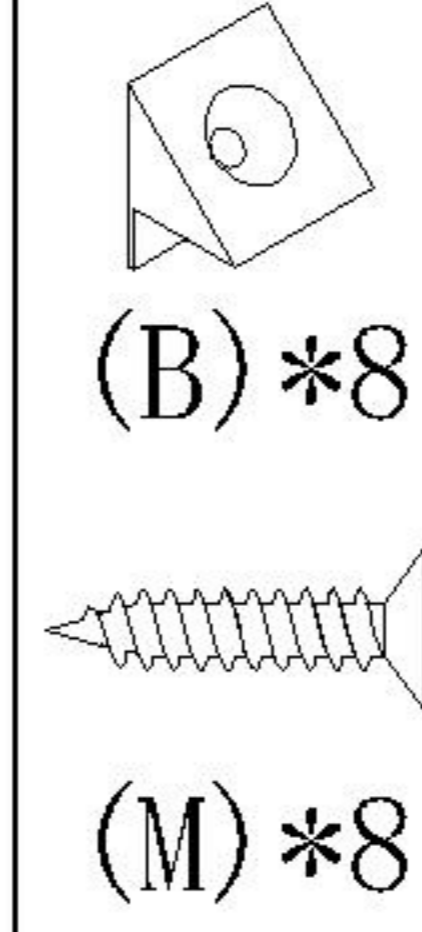
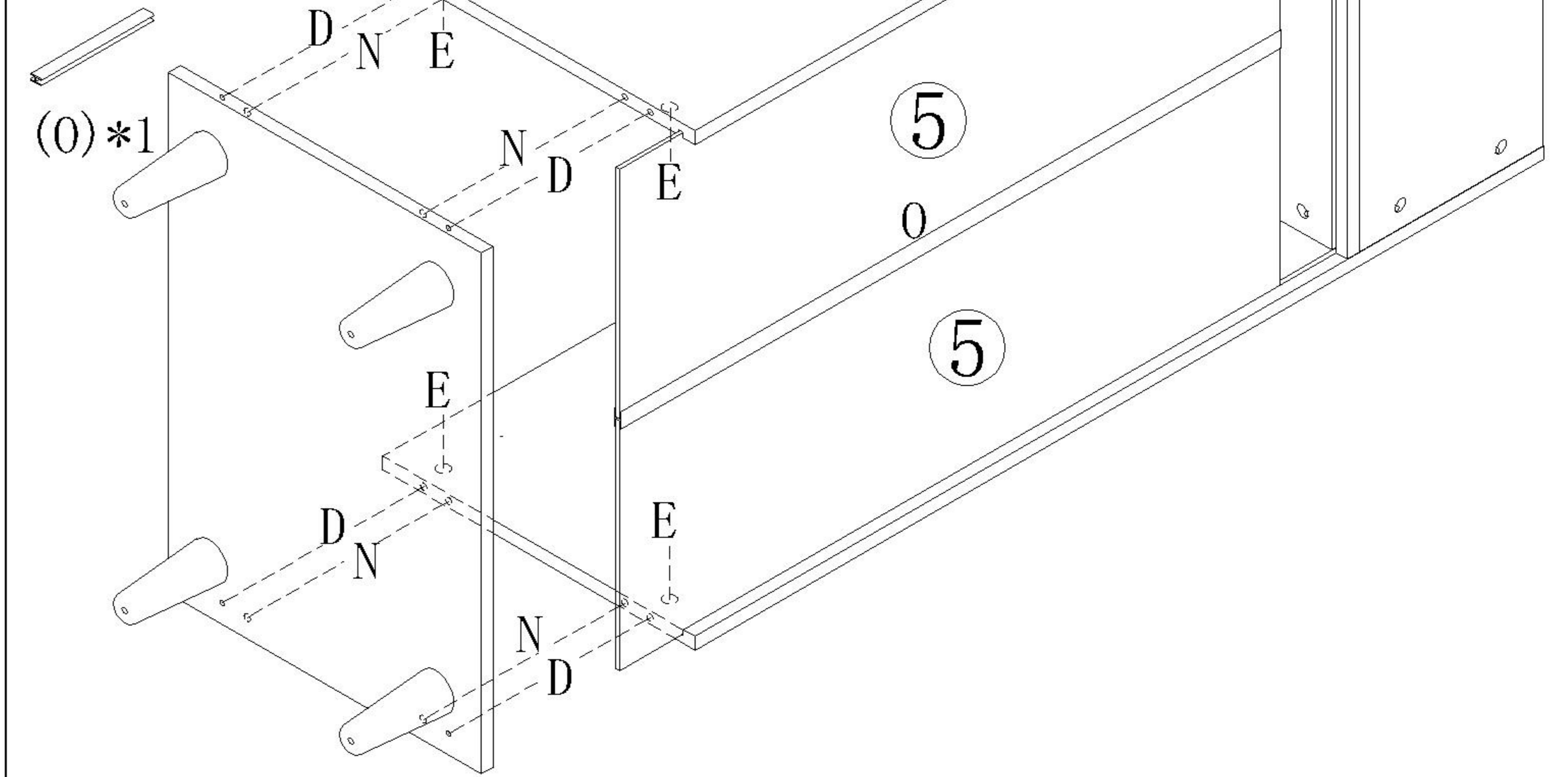
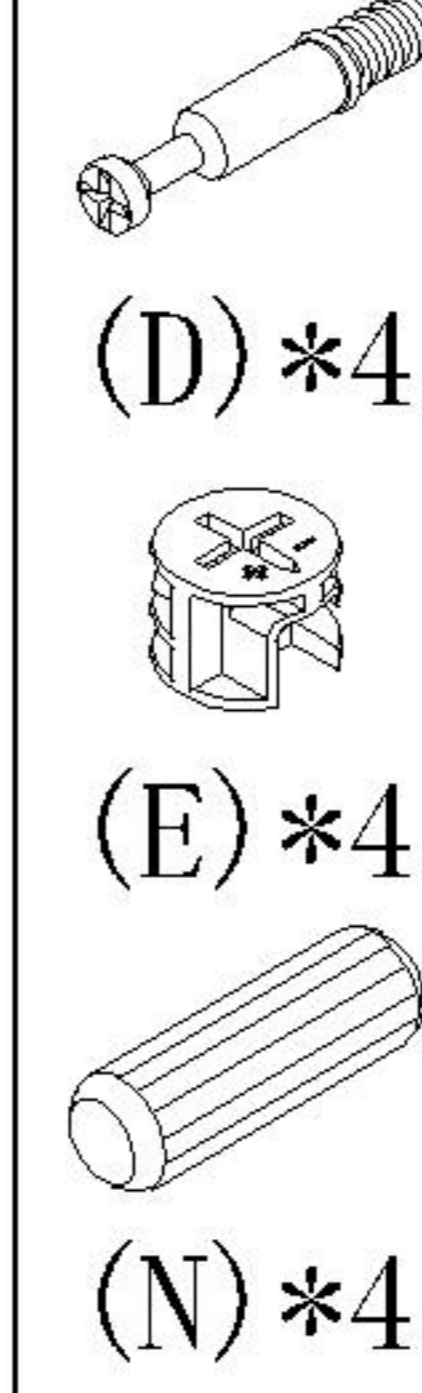
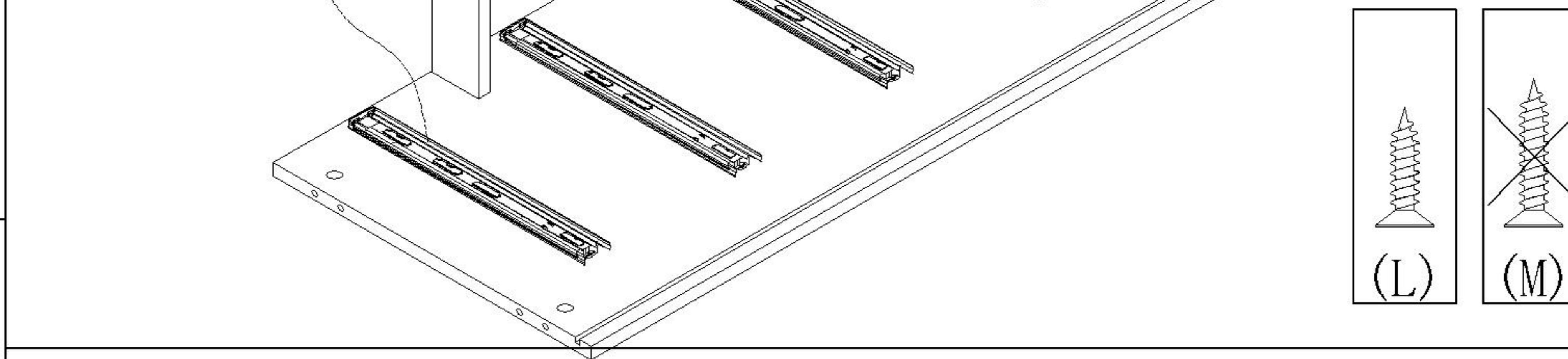
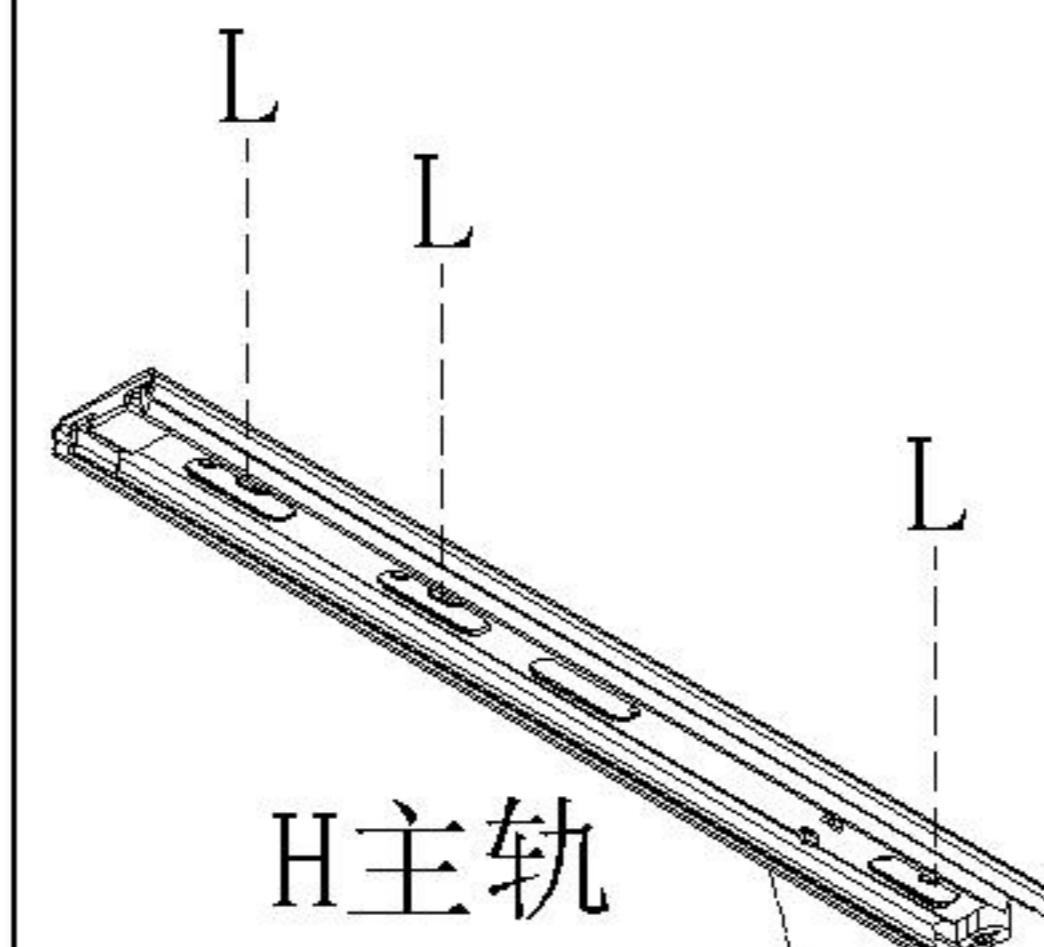
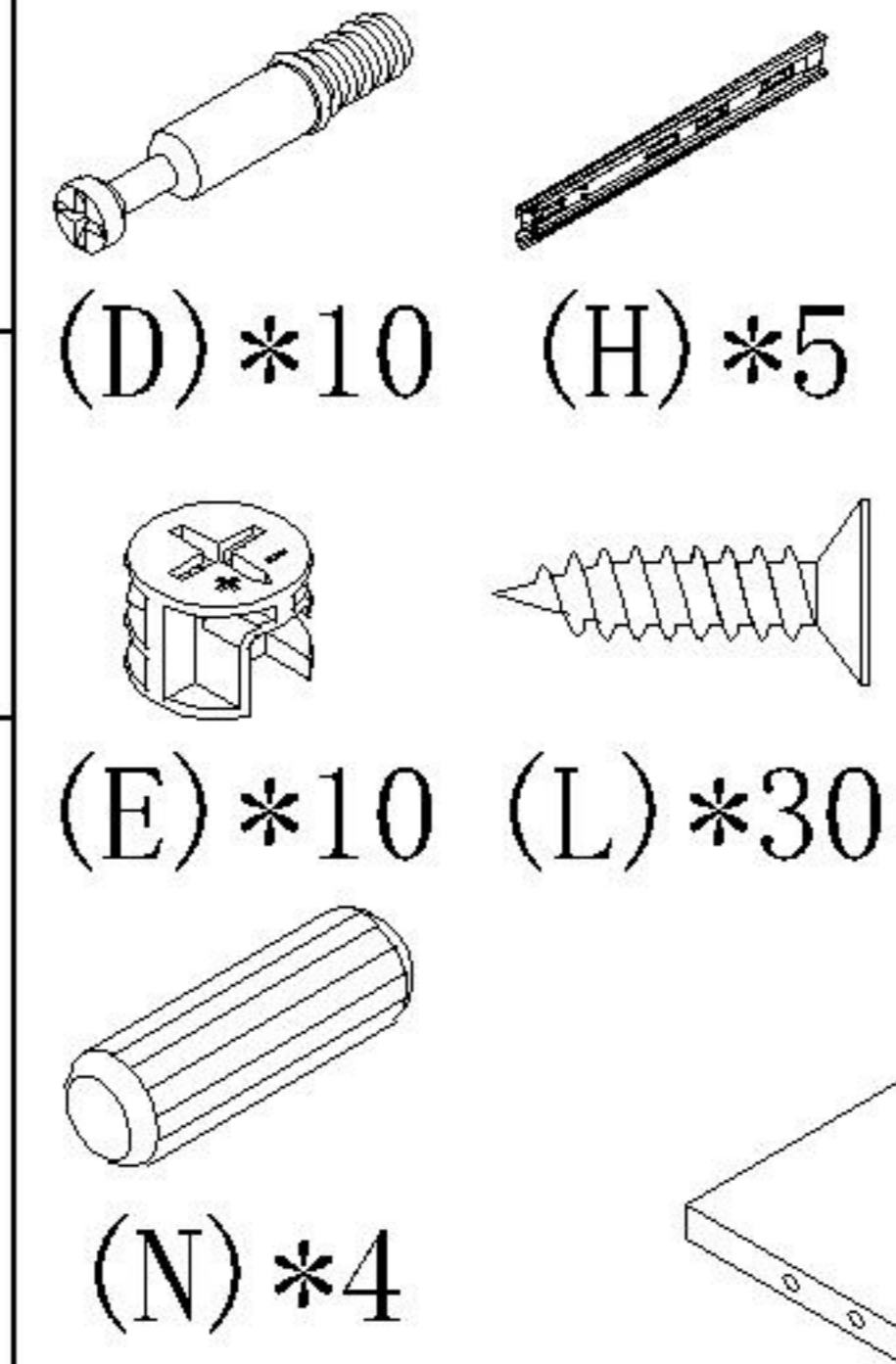


二合一/2 in 1

阀门开关(下压为开)
Valve switch (press down to open)



三节滚珠导轨-10"
Three Section Ball Guide-10"



MI3E-A 0.6m

(C)*2

实体墙
Solid wall

C放大图

