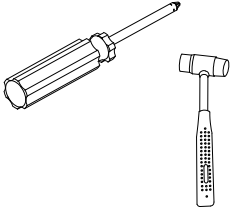
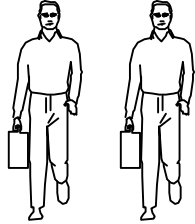


LINSY 林氏家居

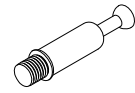
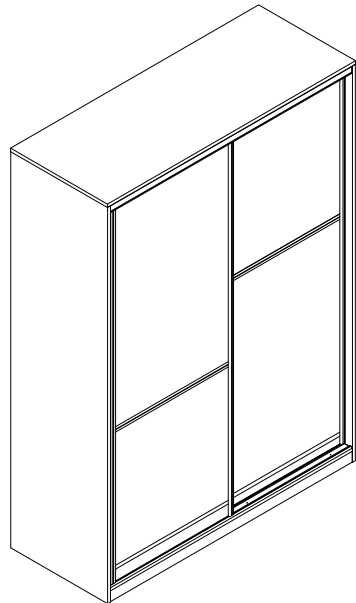
五金表/Hardware list

部件表/Parts List

安装示意图/Assembly Instruction

产品名称 Model NO.	JC3D-A1 (1.2m)
产品规格 Specification	1180*594*2127mm
安装工具 Tool	安装人数 Installer
	

注：为保证设计效果，部分尺寸为定制尺寸，不影响使用。



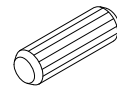
(A)* 51

二合一螺杆(35mm)
2-in-1-screw



(B)* 51

大三合一锁饼
Three-in-one large lock



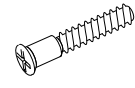
(C)* 13

木榫Ø8x30mm
wood tenon



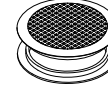
(D)* 4

挂衣托
Clothes hanger



(E)* 2

过山丝-M7x38mm
Self-tapping screw galvanized



(F)* 2

透气孔盖-白色
Vent cover - white



(G)* 1

内六角扳手5mm
5mm hex spanner



(H)* 13

背板扣
Back Plate Buckle-White



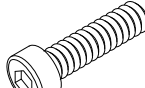
(I)* 4

铝门框-上滑轮
Upper pulley



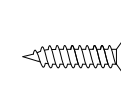
(J)* 4

铝门框-下滑轮
Lower pulley



(K)* 4

柱头内六角螺杆M6x25
Beveled hexagon socket head screw



(L)* 25

自攻螺丝M3.5x16mm
Self-tapping screw



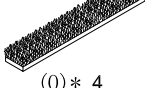
(M)* 8

自攻螺丝M3.5x12mm
Self-tapping screw



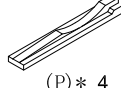
(N)* 20

层板托
shelf support



(O)* 4

粘贴式防撞胶条L=2米
anti-collision gasket



(P)* 4

移门定位器
Sliding door positioner



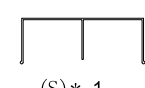
(Q)* 1

内六角扳手1.5mm
spanner-(1.5mm) hex



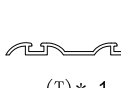
(R)* 2

挂衣杆-L=758mm
Clothes hanger



(S)* 1

铝型材-上轨道
Aluminum profile - upper rail



(T)* 1

铝型材-下轨道
Aluminum profile - lower rail



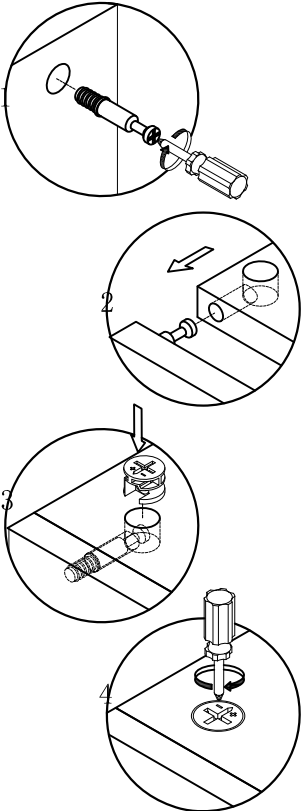
(U)* 10

脚垫-灰色
Footrest - Grey

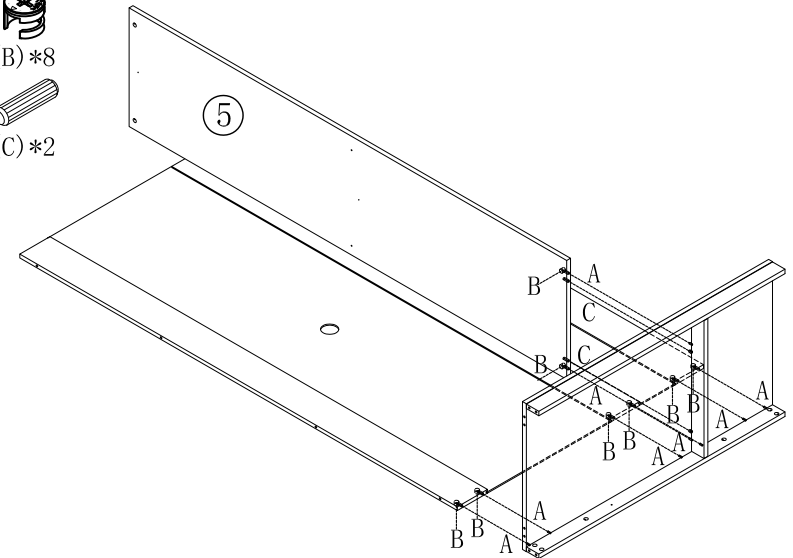
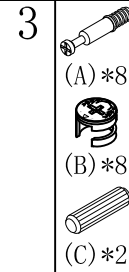
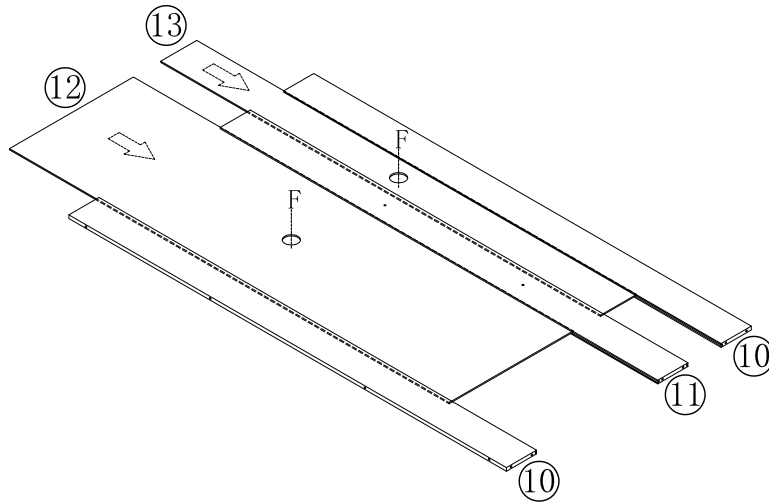
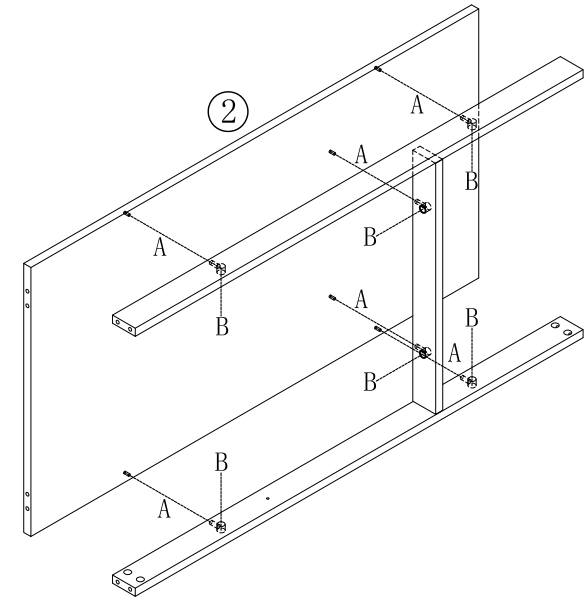
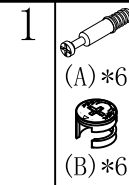
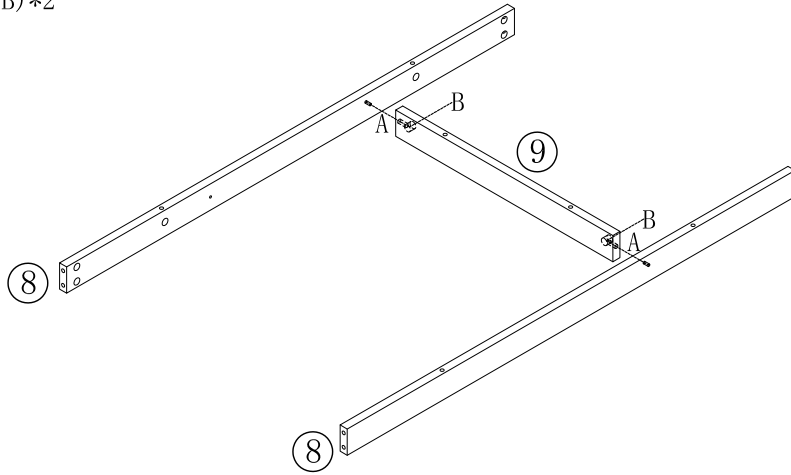
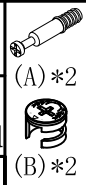
编号NO.	名称Name	规格 (mm) Specification	数量QTY	材质Material
①	顶板 Top board	1180*594*18	1	三胺板Melamine
②	底板 Bottom board	1142*594*18	1	三胺板Melamine
③	左侧板 Side board(L)	2106*594*18	1	三胺板Melamine
④	右侧板 Side board(R)	2106*594*18	1	三胺板Melamine
⑤	中侧板 Middle side board	2030*477*18	1	三胺板Melamine
⑥	左活动层板 Movable shelf(L)	765*477*18	1	三胺板Melamine
⑦	右活动层板 Movable shelf(R)	357*477*18	4	三胺板Melamine
⑧	长脚条 Long foot slat	1142*58*18	2	三胺板Melamine
⑨	中脚条 Middle foot strip	556*58*18	1	三胺板Melamine
⑩	边背拉条 Side back brace	2030*140*15	2	三胺板Melamine
⑪	背拉条 Back brace	2030*140*15	1	三胺板Melamine
⑫	大背板 Big backboard	2040*575*5	1	三胺板Melamine
⑬	小背板 Small sack board	2040*167*5	1	三胺板Melamine
⑭	左趟门板 Sliding door board(L)	2000*580*35	1	三胺板+五金 Melamine+Hardware
⑮	右趟门板 Sliding door board(R)	2000*580*35	1	三胺板+五金 Melamine+Hardware

JC3D-A1 (1.2m)

安装方法/
Installation method



大二合一
two-in-one



JC3D-A1 (1.2m)

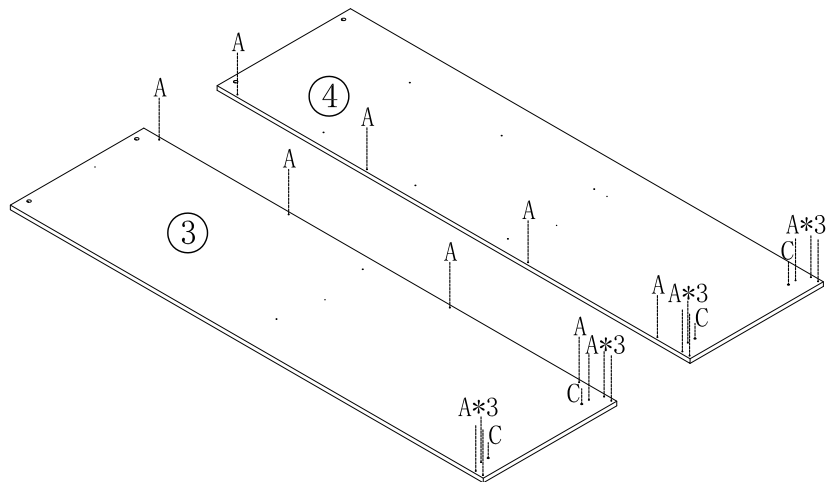
安装方法/
Installation method



(A)*20



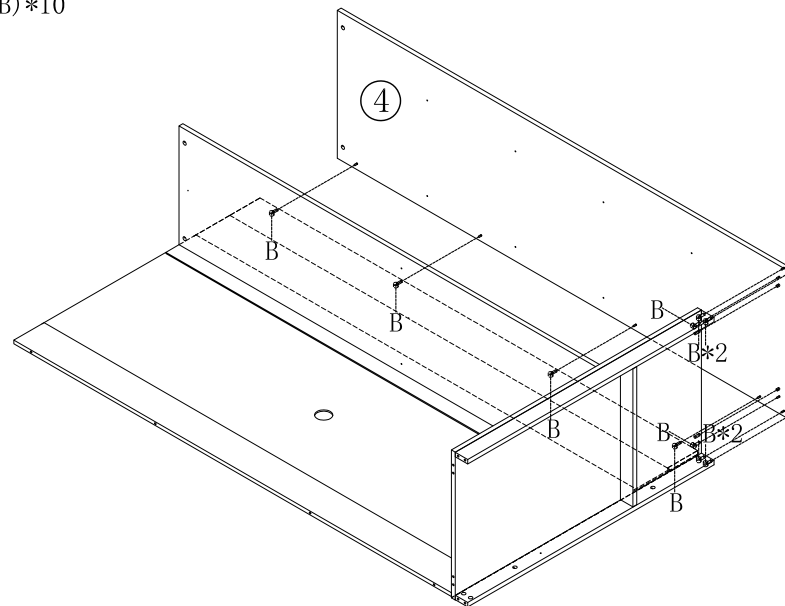
(C)*4



5



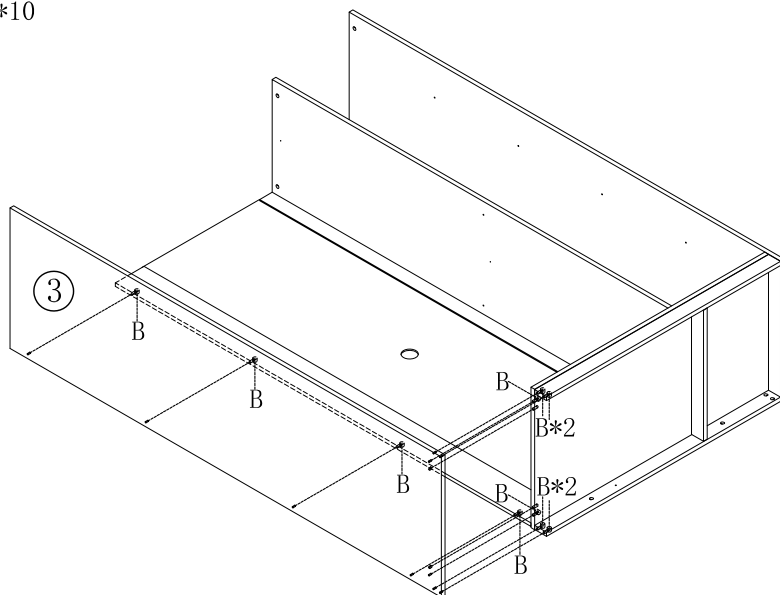
(B)*10



6



(B)*10



7



(A)*12



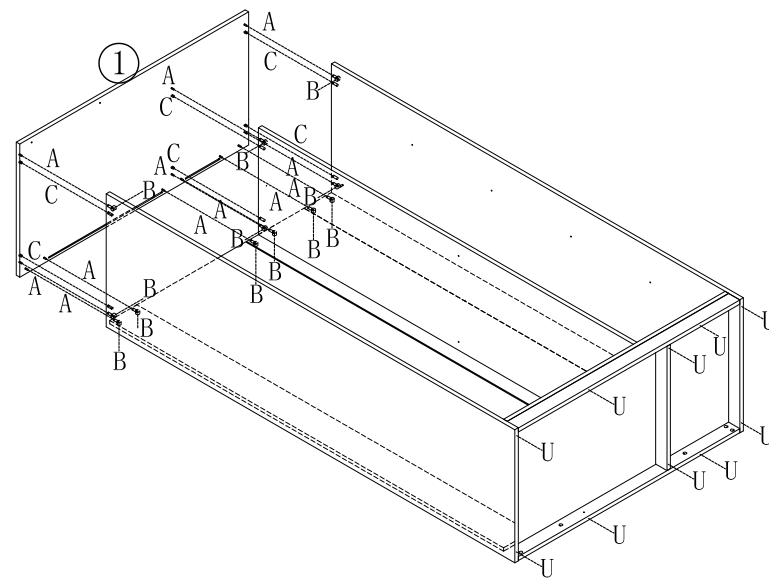
(B)*12



(C)*6



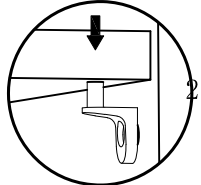
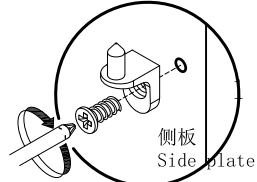
(U)*10



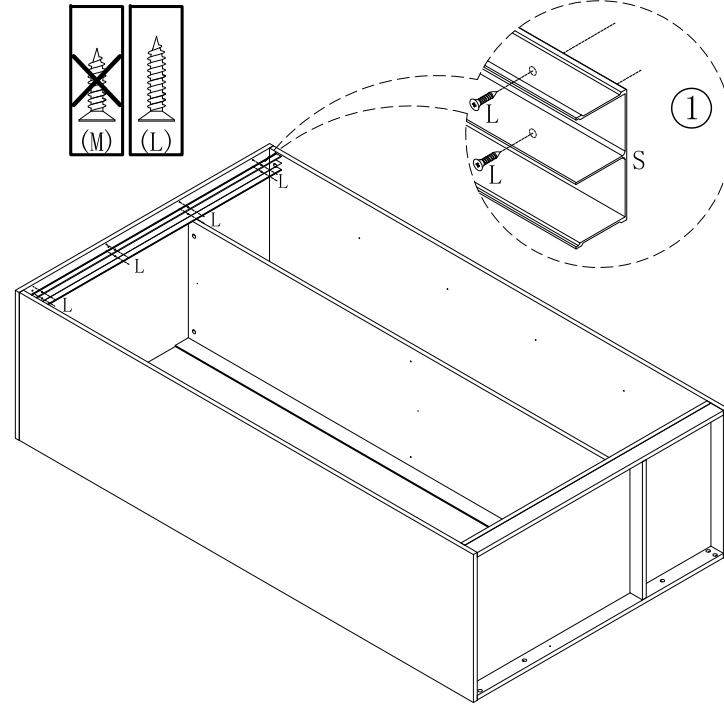
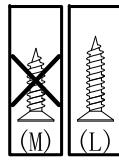
8

JC3D-A1 (1.2m)

安装方法/
Installation method

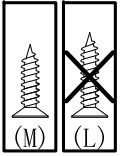
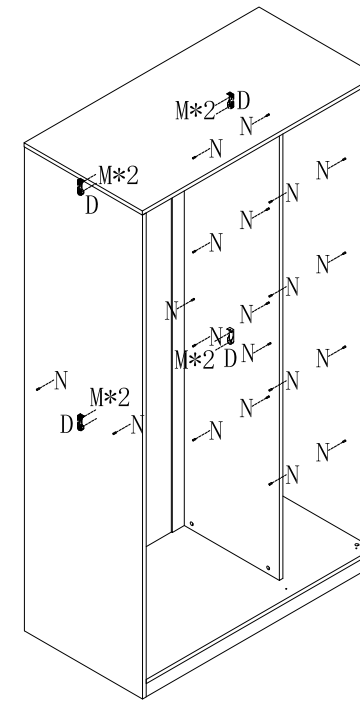


- (L) *8
- (S) *1



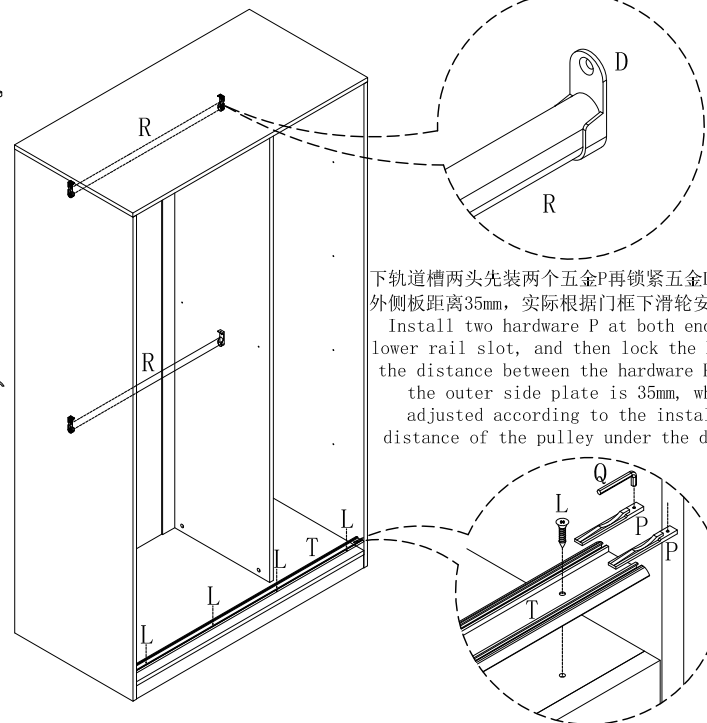
9

- (D) *4
- (N) *20
- (M) *8



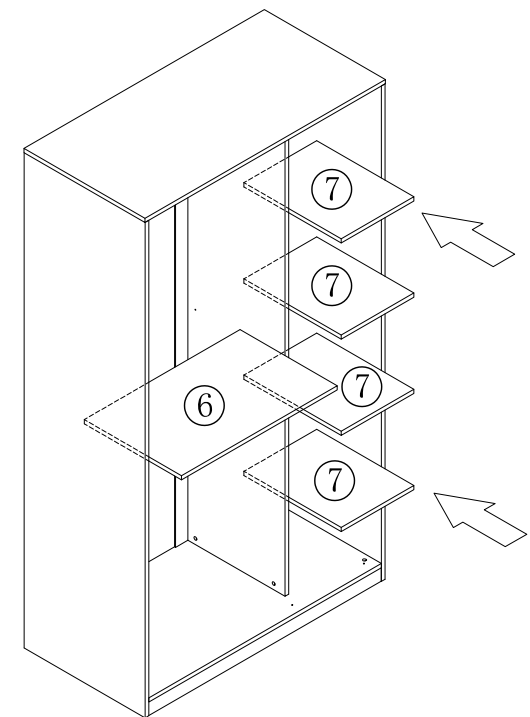
10

- (L) *4
- (P) *4
- (Q) *1
- (R) *2
- (T) *1



下轨道槽两头先装两个五金P再锁紧五金L,五金P孔到外侧板距离35mm, 实际根据门框下滑轮安装距离调节
Install two hardware P at both ends of the lower rail slot, and then lock the hardware L. the distance between the hardware P hole and the outer side plate is 35mm, which is adjusted according to the installation distance of the pulley under the door frame

11

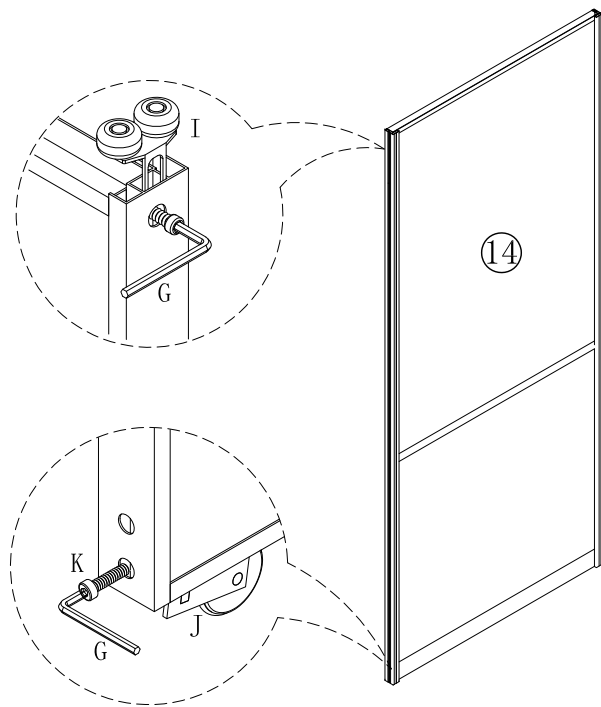


12

JC3D-A1 (1.2m)

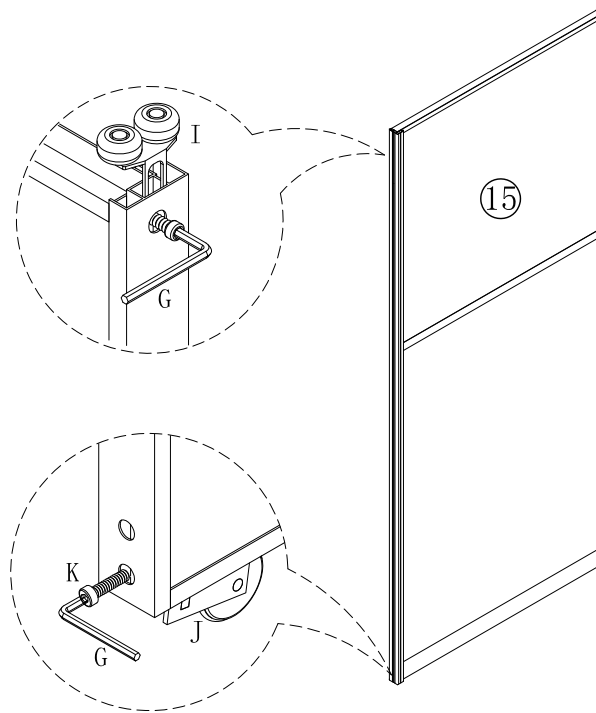
安装方法/
Installation method

- (K)*2
- (G)*1
- (I)*2
- (J)*2

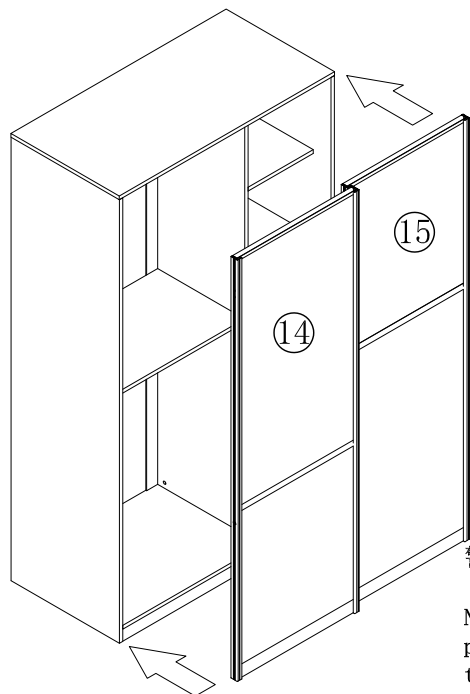


13

- (K)*2
- (G)*1
- (I)*2
- (J)*2

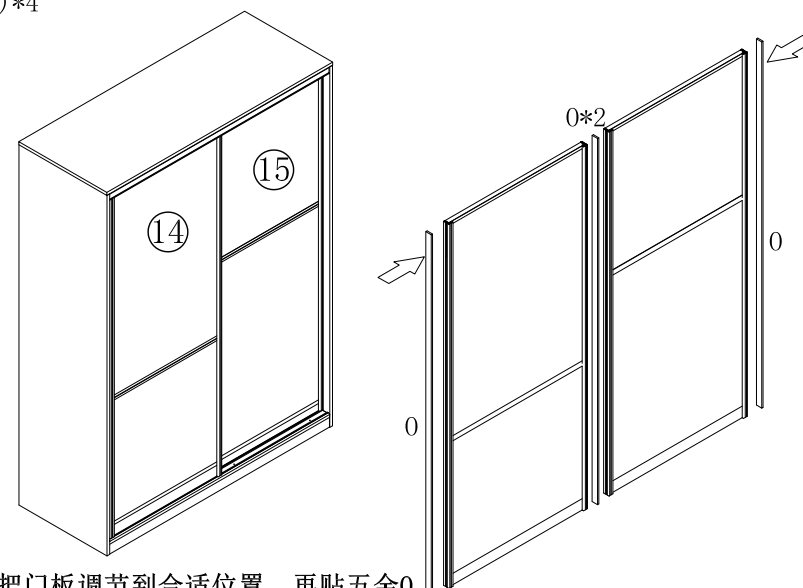


14



15

- (O)*4



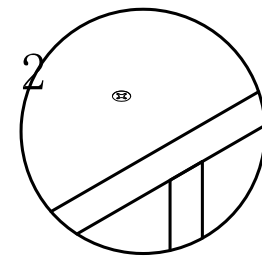
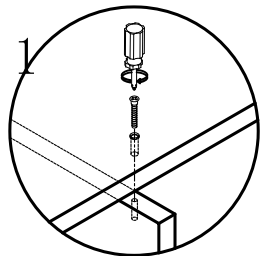
16

警告：门板与门板有设计所需的开启间隙，小心夹伤。
Note: the gap between the door panel and the door is designed to open the drawer. Be careful not to pinch!

*把门板调节到合适位置，再贴五金O
*Adjust the door panel to a proper position, and then paste the hardware o

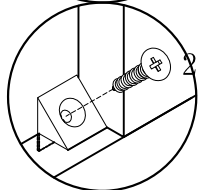
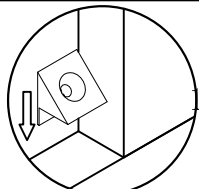
JC3D-A1 (1.2m)

安装方法/
Installation method



过山丝

Self-tapping screw galvanized



背板扣

Back Plate Buckle-White



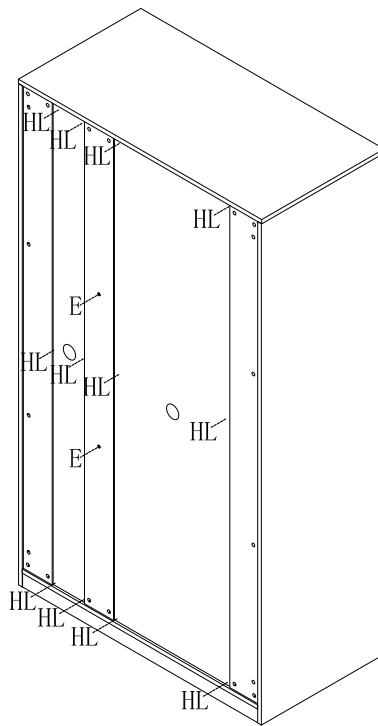
(H)*12



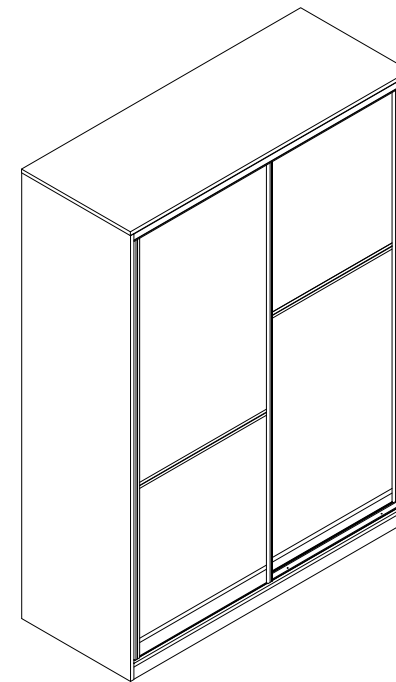
(L)*12



(E)*2



17

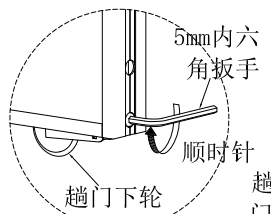


18

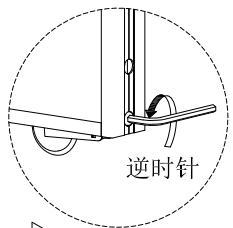
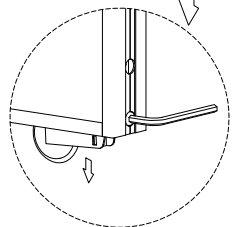
19

20

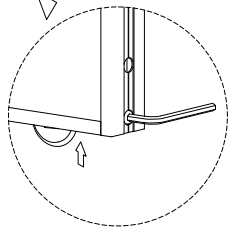
安装方法/
Installation method



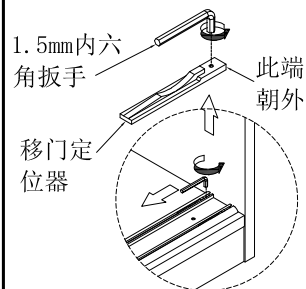
趟门轮调高



趟门轮调低

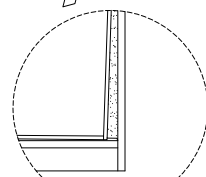
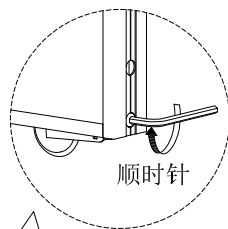
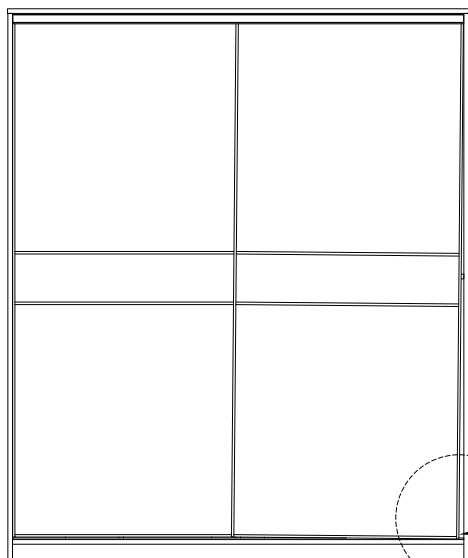


趟门下轮



移门定位器

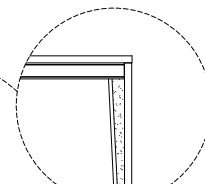
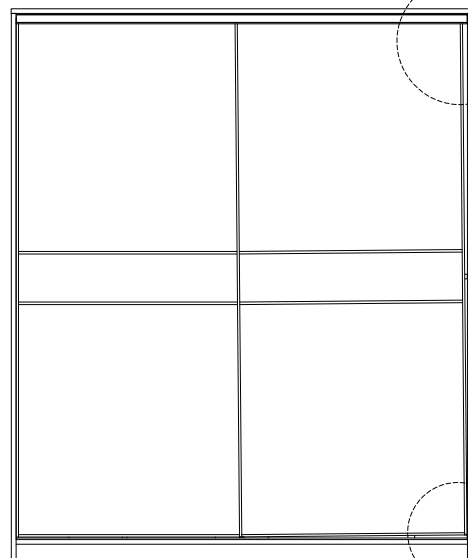
情景一:



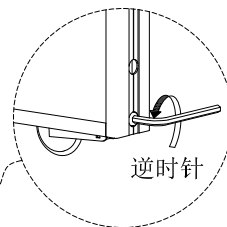
门板下边有缝

此处趟门轮
顺时针调高

情景二:



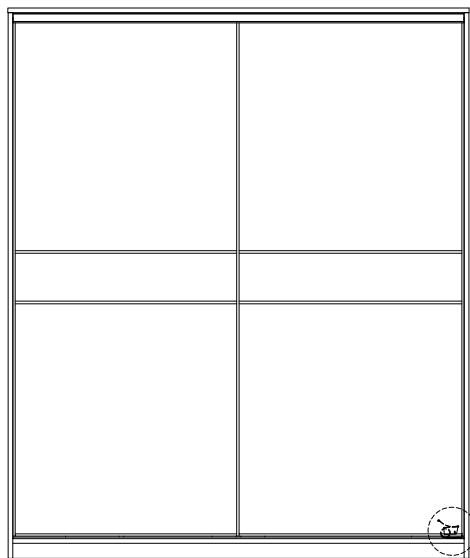
门板上边有缝



此处趟门轮
逆时针调低

确保地板是平整的情况下, 如发生此两种情况可用5mm内六角扳手调节趟门下轮的松紧度, 从而调整左右两边趟门下轮的高度, 两边调整至适当高度即可。

情景三:



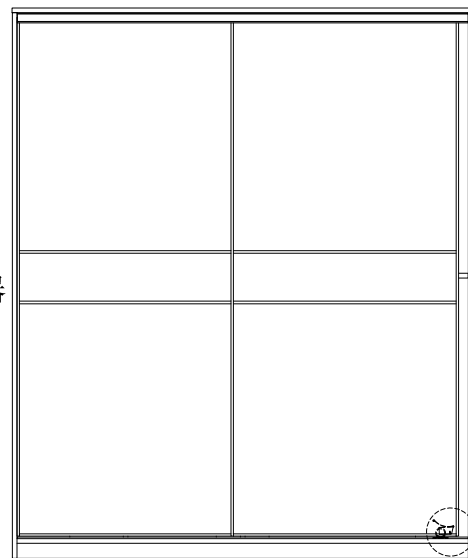
趟门轮

移门定位器
往里移

定位器

整扇门关密缝,
仍卡不到定位器

情景四:



趟门轮

移门定位器
往外移

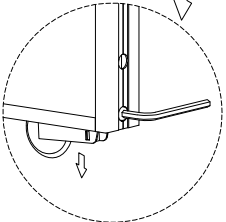
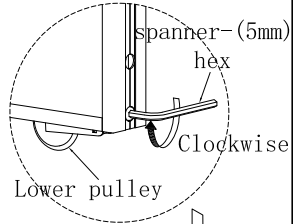
定位器

整扇门卡到定
定位器, 仍有缝

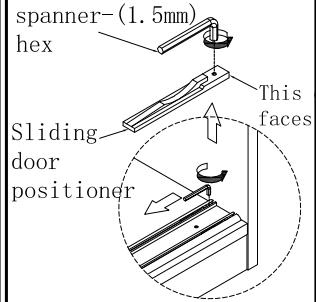
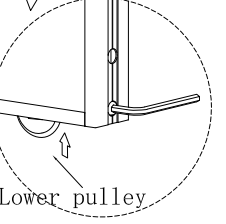
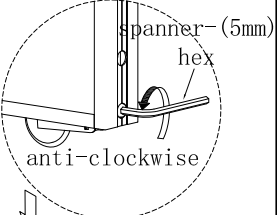
在调节趟门轮后仍出现以上情况时, 可用1.5mm内六角扳手将移门定位器适当往里外调整至适当位置拧紧即可。

安装方法/
Installation method

Gate wheel height adjustment

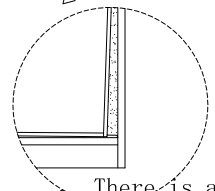
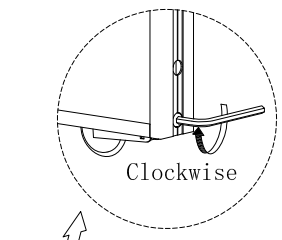
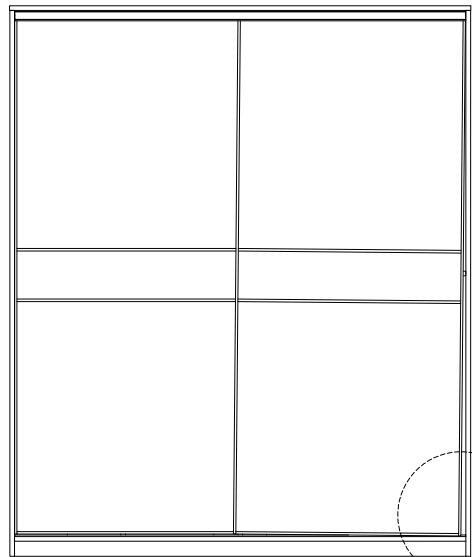


Lower the gate wheel



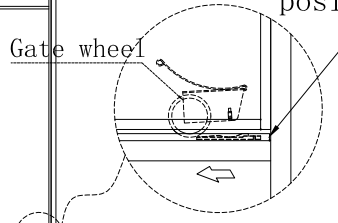
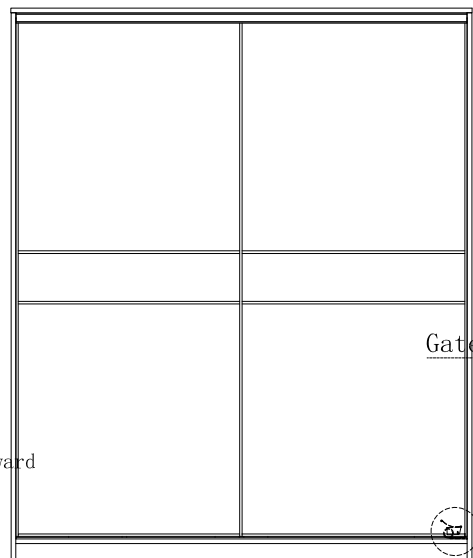
Sliding door positioner

Scenario 1:



Under the condition that the floor is flat, in case of these two situations, the tightness of the lower wheel of the door can be adjusted with a 5mm Allen wrench, so as to adjust the height of the lower wheel of the door on the left and right sides, and adjust both sides to the appropriate height.

Scenario 3:

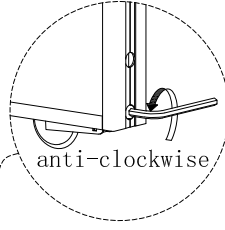
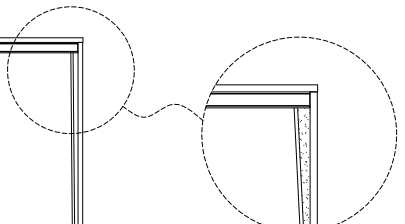
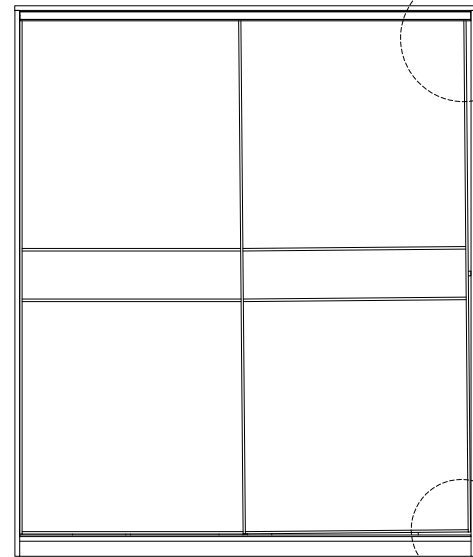


Move the door positioner inward

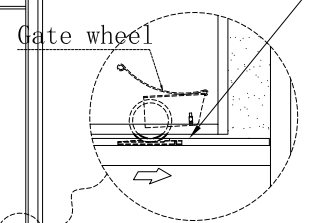
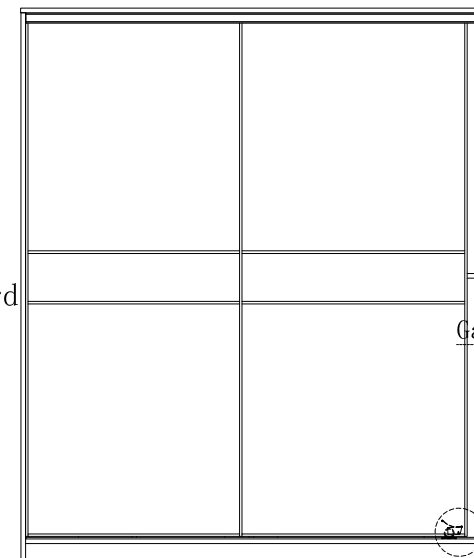
The whole door is closed tightly, but the positioner is still not stuck

If the above situation still occurs after adjusting the gate wheel, adjust the door moving positioner to a proper position inside and outside with a 1.5mm Allen wrench and tighten it.

Scenario 2:



Scenario 4:



Move the door positioner outward

The whole door is stuck to the positioner, and there is still a seam