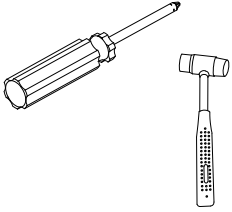
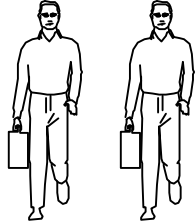


LINSY 林氏家居

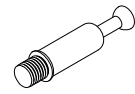
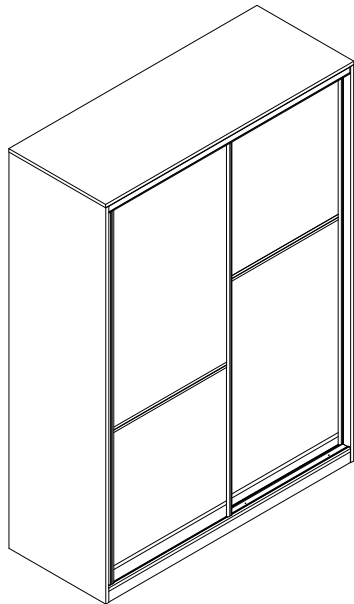
五金表/Hardware list

部件表/Parts List

安装示意图/Assembly Instruction

产品名称 Model NO.	JC3D-A1 (1.6m)
产品规格 Specification	1588*594*2127mm
安装工具 Tool	安装人数 Installer
	

注：为保证设计效果，部分尺寸为定制尺寸，不影响使用。



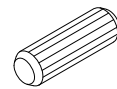
(A)* 69

二合一螺杆(35mm)
2-in-1-screw



(B)* 69

大三合一锁饼
Three-in-one large lock



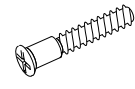
(C)* 17

木榫Ø8x30mm
wood tenon



(D)* 6

挂衣托
Clothes hanger



(E)* 2

过山丝-M7x38mm
Self-tapping screw galvanized



(F)* 2

透气孔盖-白色
Vent cover - white



(G)* 1

内六角扳手5mm
5mm hex spanner



(H)* 13

背板扣
Back Plate Buckle-White



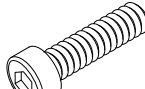
(I)* 4

铝门框-上滑轮
Upper pulley



(J)* 4

铝门框-下滑轮
Lower pulley



(K)* 4

柱头内六角螺杆M6x25
Beveled hexagon socket head screw



(L)* 25

自攻螺丝M3.5x16mm
Self-tapping screw



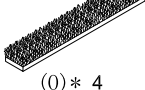
(M)* 25

自攻螺丝M3.5x12mm
Self-tapping screw



(N)* 16

层板托
shelf support



(O)* 4

粘贴式防撞胶条L=2米
anti-collision gasket



(P)* 1

三节滚珠导轨-12"
three-section ball rail



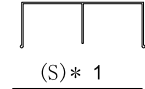
(Q)* 1

挂衣杆-L=370mm
Clothes hanger



(R)* 2

挂衣杆-L=758mm
Clothes hanger



(S)* 1

铝型材-上轨道
Aluminum profile upper rail



(T)* 1

铝型材-下轨道
Aluminum profile lower rail



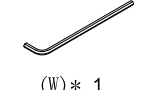
(U)* 14

脚垫-灰色
Footrest - Grey



(V)* 4

移门定位器
Sliding door positioner



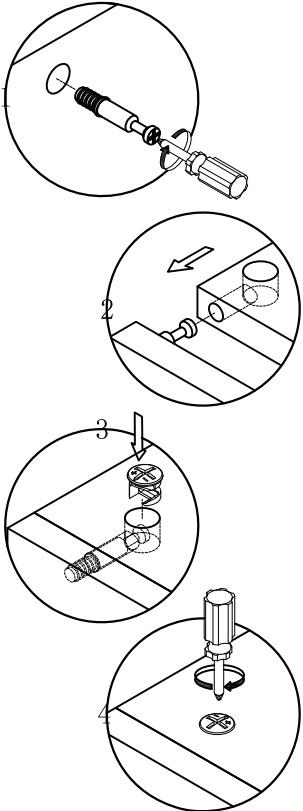
(W)* 1

内六角扳手1.5mm
spanner-(1.5mm) hex

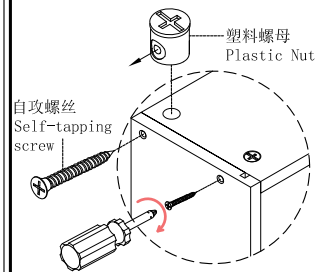
编号NO.	名称Name	规格 (mm) Specification	数量QTY	材质Material
①	顶板 Top board	1588*594*18	1	三胺板Melamine
②	底板 Bottom board	1550*594*18	1	三胺板Melamine
③	左侧板 Side board(L)	2106*594*18	1	三胺板Melamine
④	右侧板 Side board(R)	2106*594*18	1	三胺板Melamine
⑤	中侧板 Middle side board	2030*477*18	1	三胺板Melamine
⑥	右中侧板 Middle side board (R)	1621*477*18	1	三胺板Melamine
⑦	左活动层板 Movable shelf (L)	765*477*18	1	三胺板Melamine
⑧	右活动层板 Movable shelf (R)	765*477*18	1	三胺板Melamine
⑨	活动层板 Movable shelf	369*477*18	2	三胺板Melamine
⑩	长脚条 Long foot slat	1550*58*18	2	三胺板Melamine
⑪	中脚条 Middle foot strip	556*58*18	2	三胺板Melamine
⑫	边背拉条 Side back brace	2030*140*15	2	三胺板Melamine
⑬	背拉条 Back brace	2030*140*15	1	三胺板Melamine
⑭	背板 Back board	2040*575*5	2	三胺板Melamine
⑮	抽屉面板 Drawer's top panel	366*126*18	1	三胺板Melamine
⑯	抽屉左侧板 Drawer's side board (L)	340*110*18	1	三胺板Melamine
⑰	抽屉右侧板 Drawer's side board (R)	340*110*18	1	三胺板Melamine
⑱	抽屉后板 Drawer's Back board	308*110*18	1	三胺板Melamine
⑲	抽屉底板 Drawer's Bottom board	318*330*5	1	三胺板Melamine
⑳	左趟门板 Sliding door board (L)	2000*784*35	1	三胺板+五金 Melamine+Hardware
㉑	右趟门板 Sliding door board (R)	2000*784*35	1	三胺板+五金 Melamine+Hardware

JC3D-A1 (1.6m)

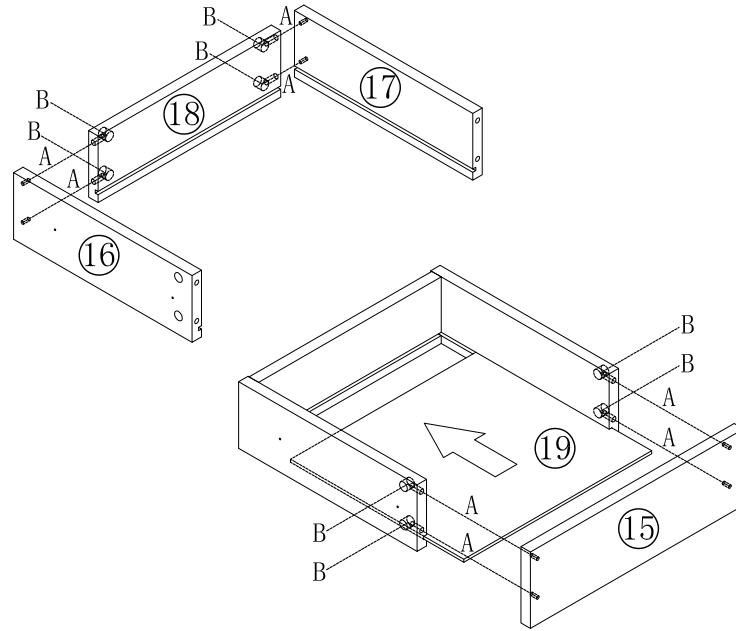
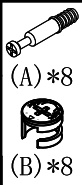
安装方法/
Installation method



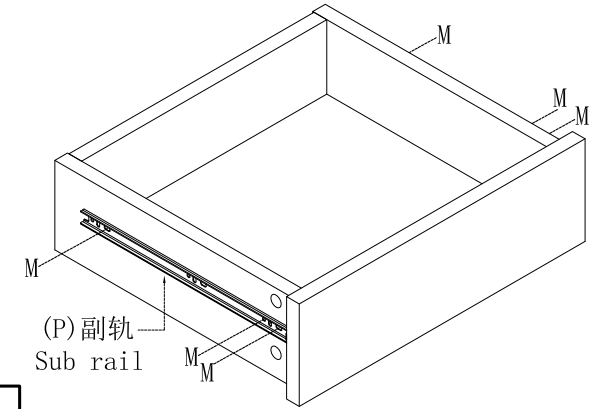
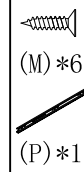
小二合一
small two-in-one



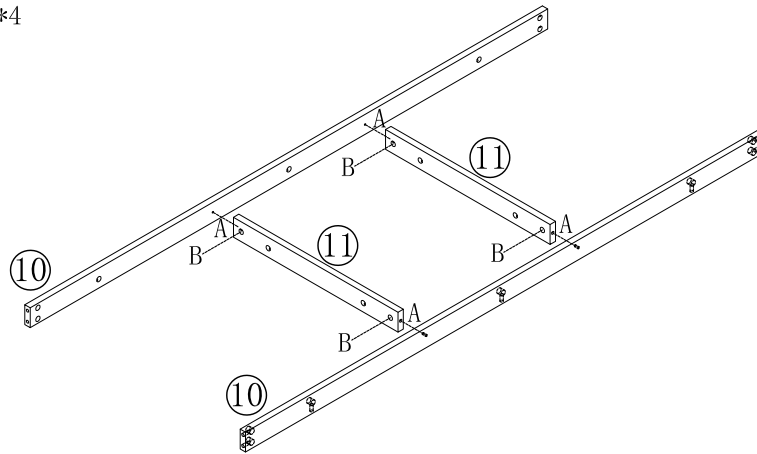
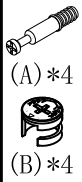
塑料螺母
Plastic Nut



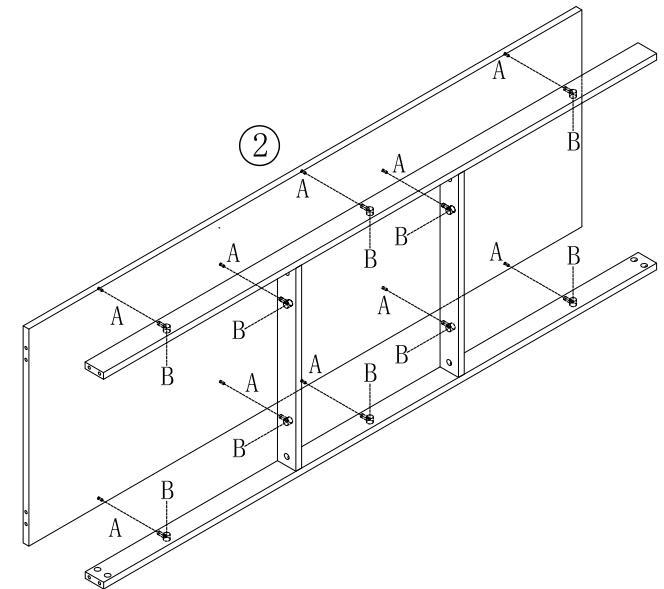
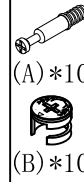
1



2



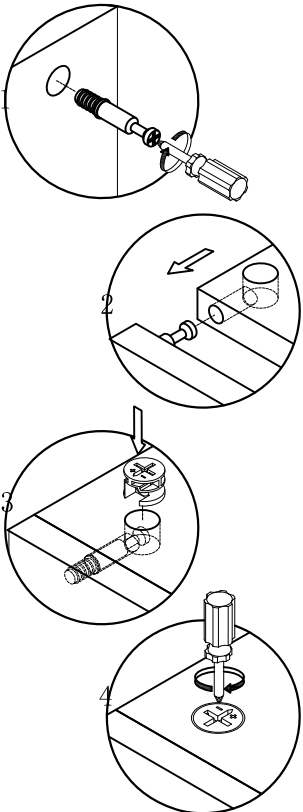
3



4

JC3D-A1 (1.6m)

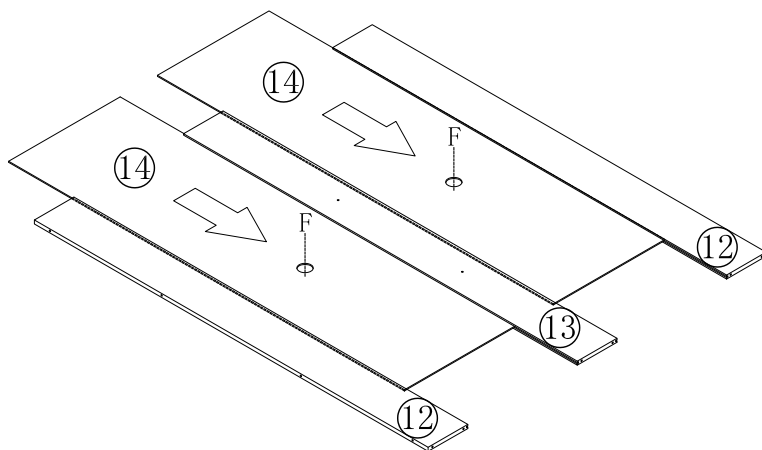
安装方法/
Installation method



大二合一
two-in-one



(F)*2



5



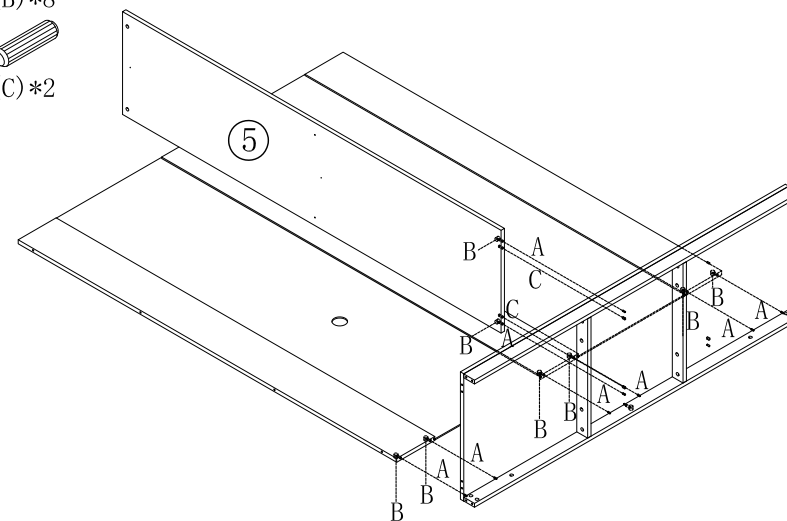
(A)*8



(B)*8



(C)*2



6



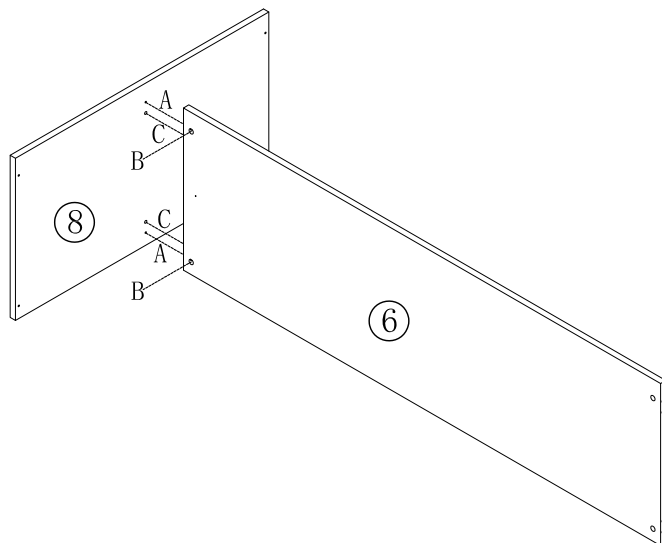
(A)*2



(B)*2



(C)*2



7



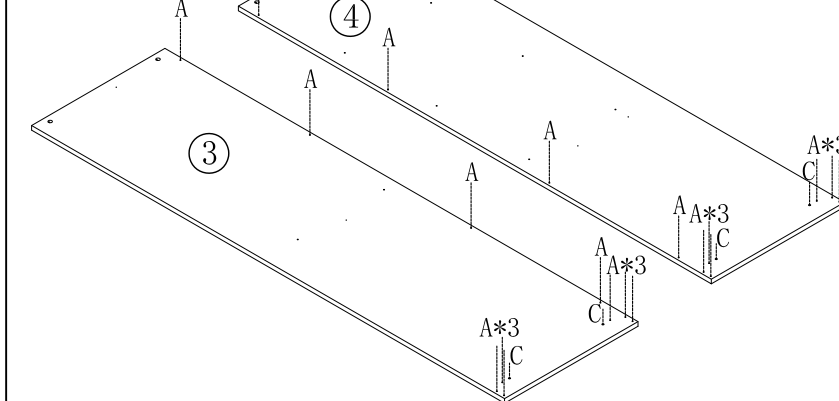
(A)*20



(C)*4



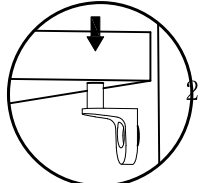
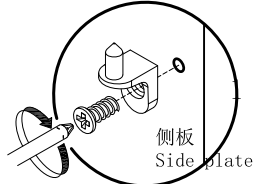
(C)*4



8

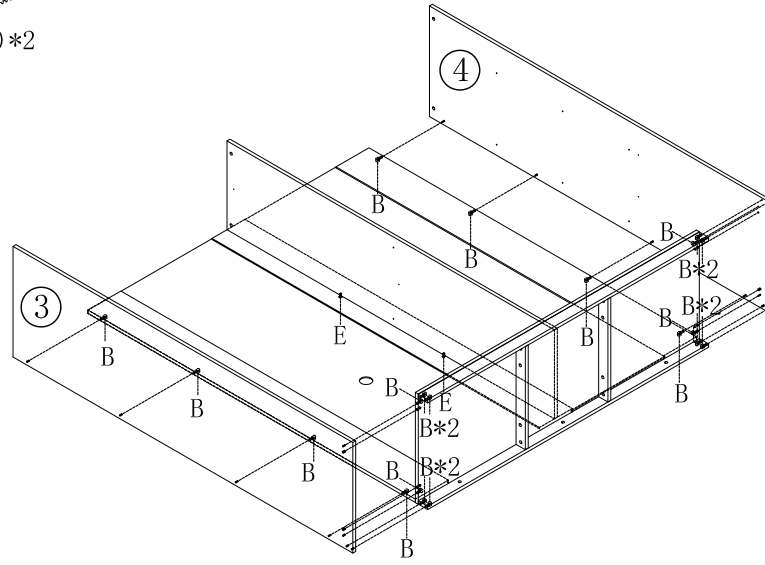
JC3D-A1 (1.6m)

安装方法/
Installation method

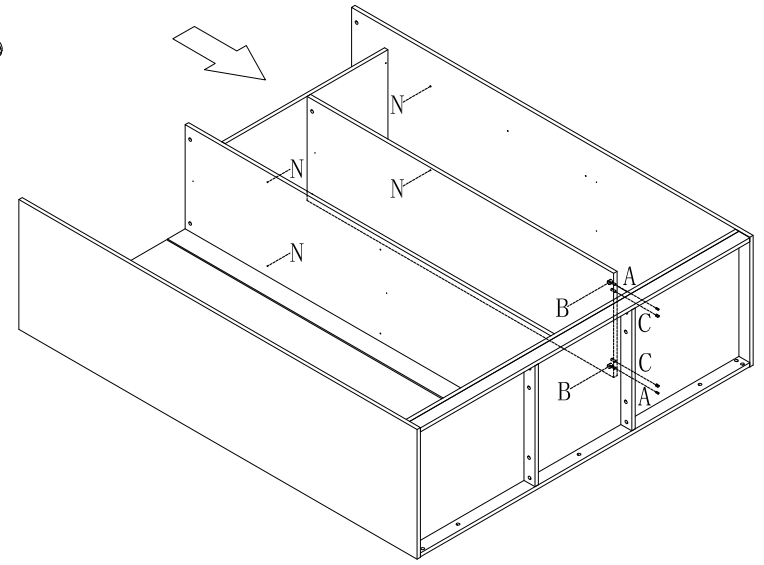


层板托5mm
shelf support

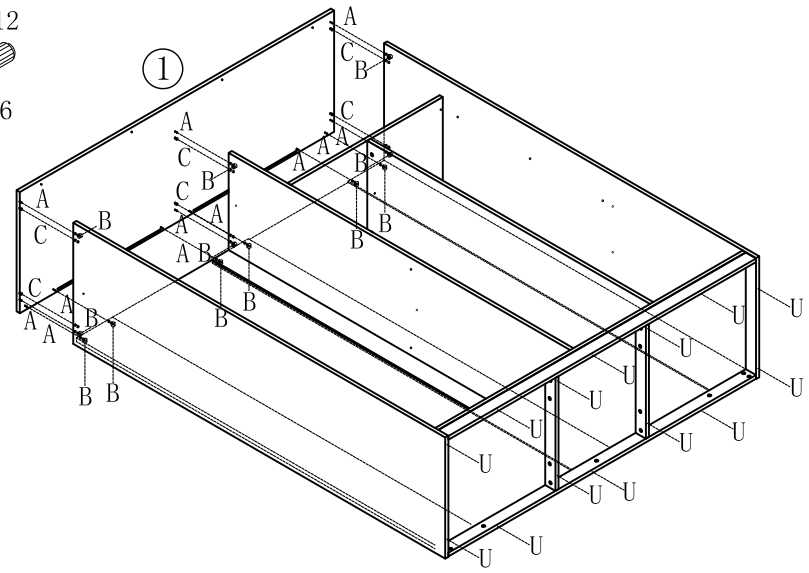
- (B)*20
- (E)*2



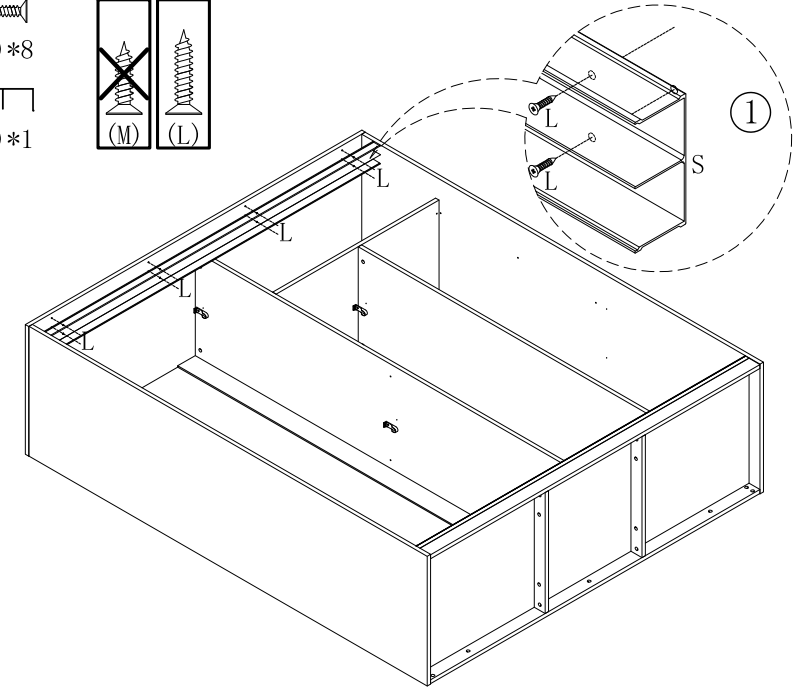
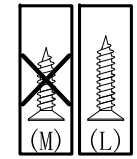
- 9
- (A)*2
 - (B)*2
 - (C)*2
 - (N)*4



- (A)*12 (U)*14
- (B)*12
- (C)*6



- 11
- (L)*8
 - (S)*1



10

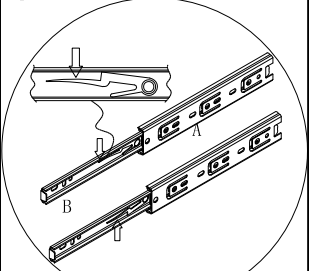
12

JC3D-A1 (1.6m)

安装方法/
Installation method

阀门开关(下压为开)
Valve switch
(press down to open)

1

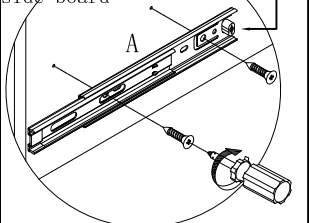


注: 先将A与B拆下来
Note: remove a and B first

侧板
side board

后after

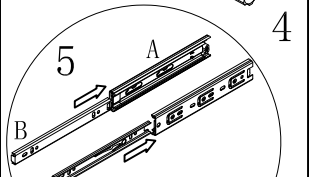
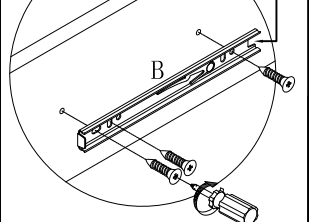
2



抽屉侧板
sideboard
of the drawer

后after

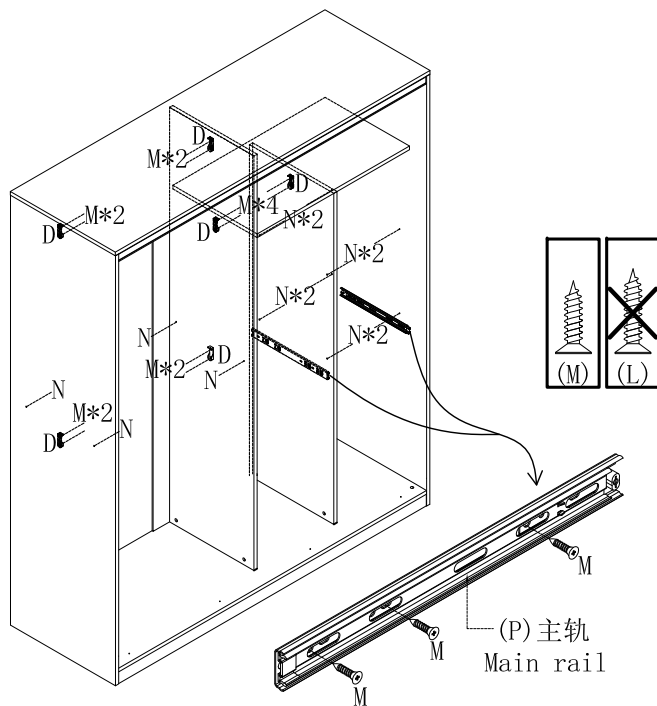
3



注: 将B对准A后推进去
Note: align B with a
and push it in

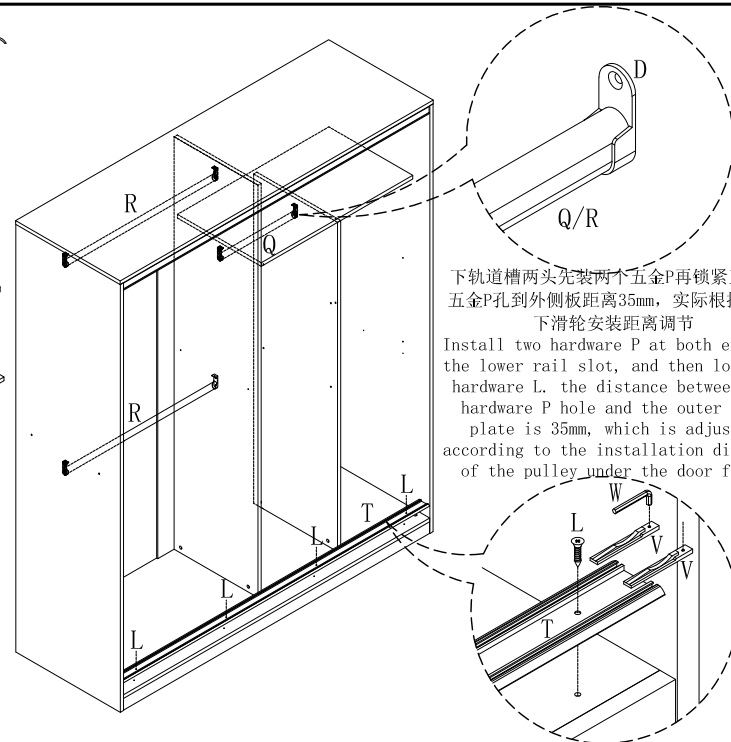
三节滚珠导轨
three-section ball rail

- (D)*6
- (N)*12
- (M)*18
- (P)*1



13

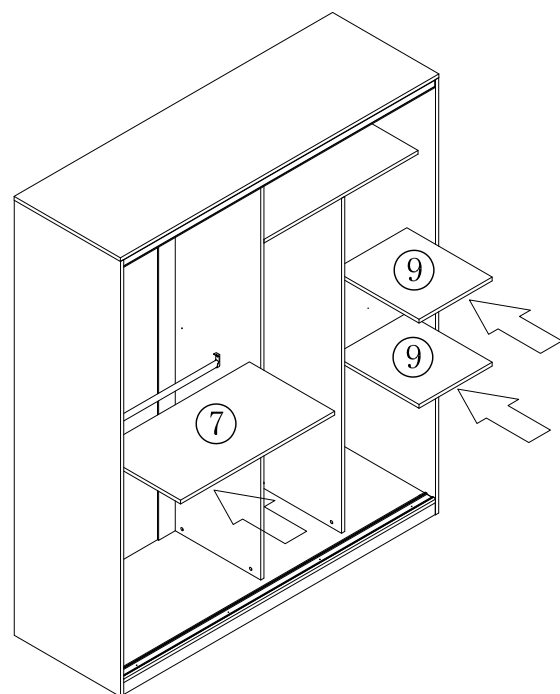
- (T)*1
- (L)*4
- (Q)*1
- (R)*2
- (V)*4
- (W)*1



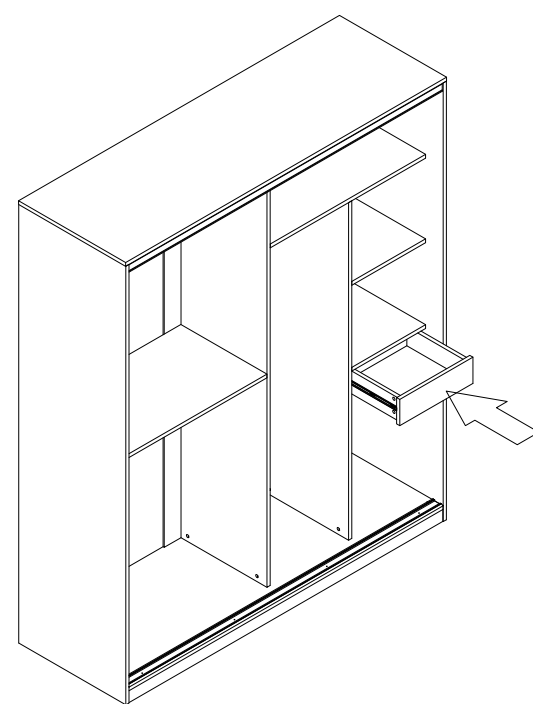
下轨道槽两头先装两个五金P再锁紧五金L,
五金P孔到外侧板距离35mm, 实际根据门框
下滑轮安装距离调节
Install two hardware P at both ends of
the lower rail slot, and then lock the
hardware L. the distance between the
hardware P hole and the outer side
plate is 35mm, which is adjusted
according to the installation distance
of the pulley under the door frame

14

15







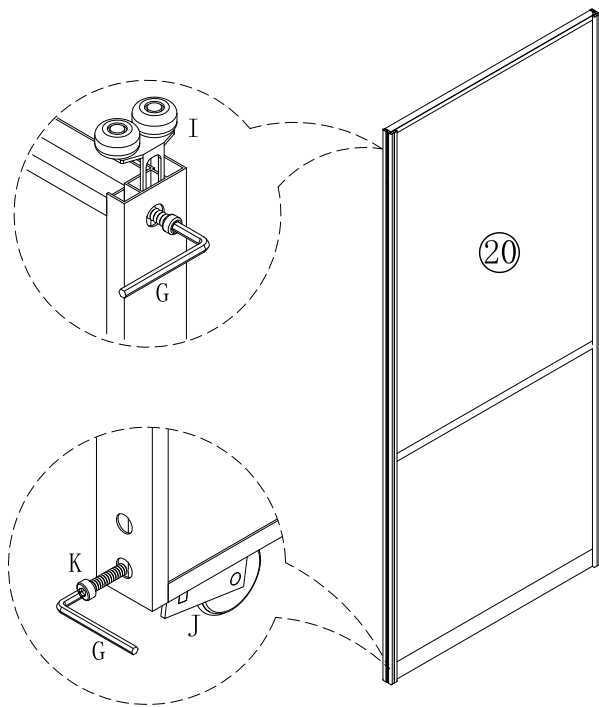
16







JC3D-A1 (1.6m)

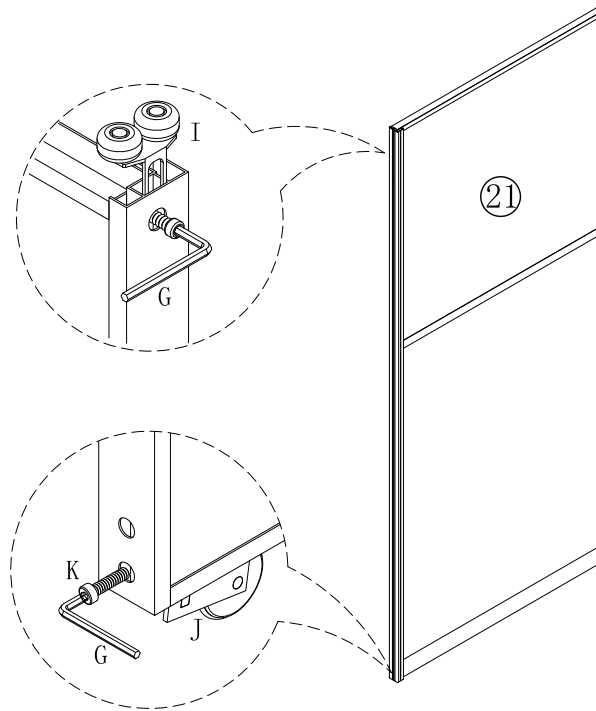
安装方法/
Installation method

-  (K)*2
-  (G)*1
-  (I)*2
-  (J)*2

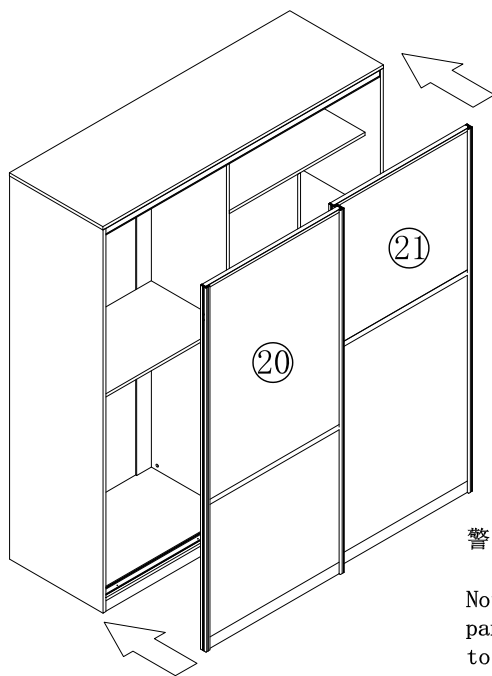


17

-  (K)*2
-  (G)*1
-  (I)*2
-  (J)*2

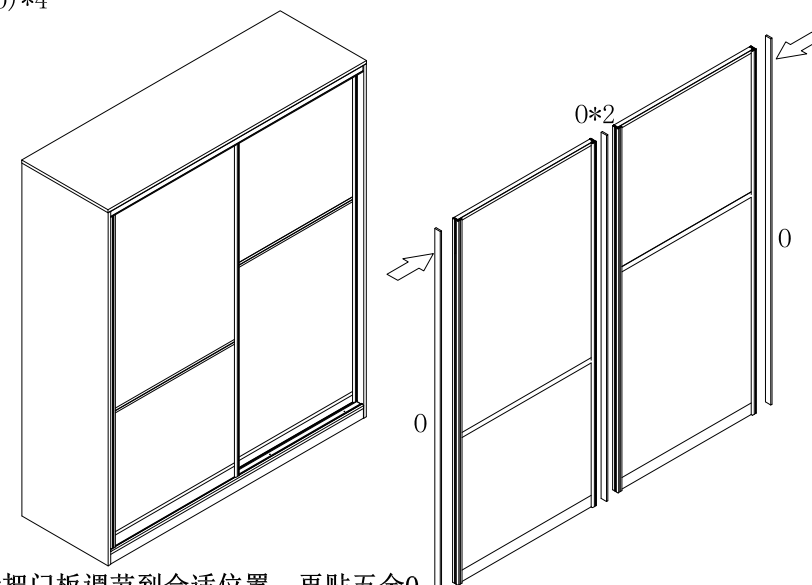


18



19

-  (O)*4



20

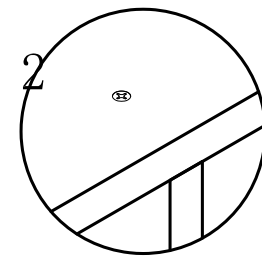
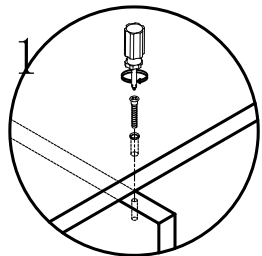
警告：门板与门板有设计所需的开启间隙，小心夹伤。

Note: the gap between the door panel and the door is designed to open the drawer. Be careful not to pinch!

*把门板调节到合适位置，再贴五金O
*Adjust the door panel to a proper position, and then paste the hardware O

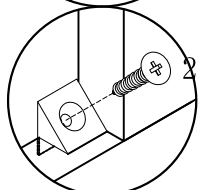
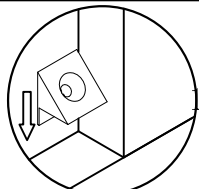
JC3D-A1 (1.6m)

安装方法/
Installation method



过山丝

Self-tapping screw galvanized



背板扣

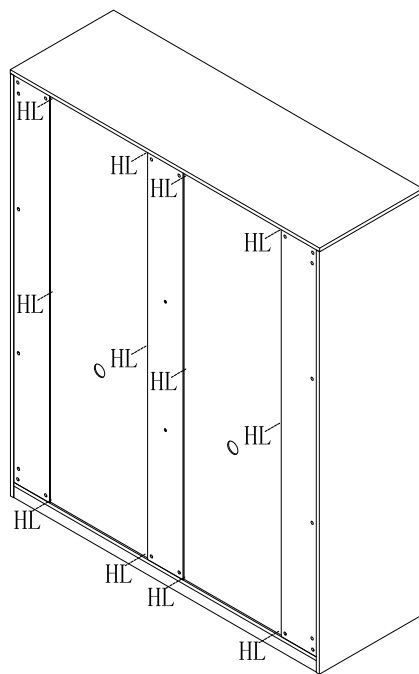
Back Plate Buckle-White



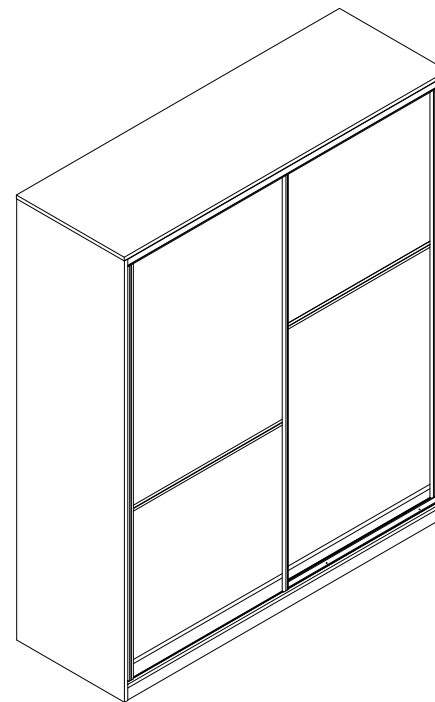
(H)*12



(L)*12



21

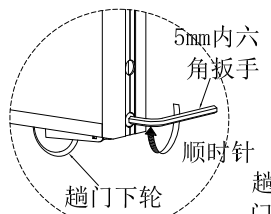


22

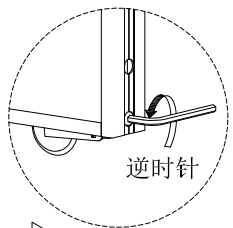
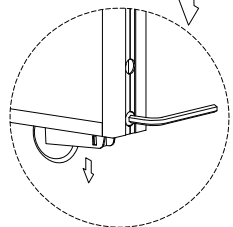
23

24

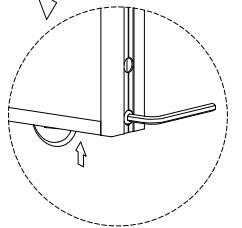
安装方法/
Installation method



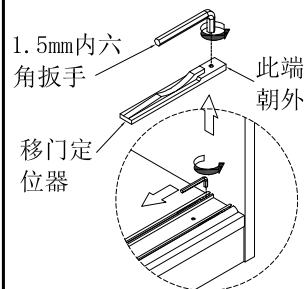
趟门轮调高



趟门轮调低

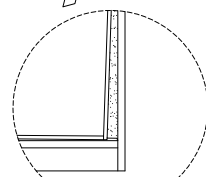
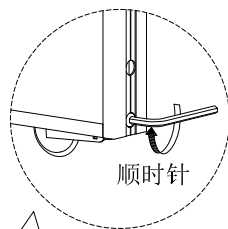
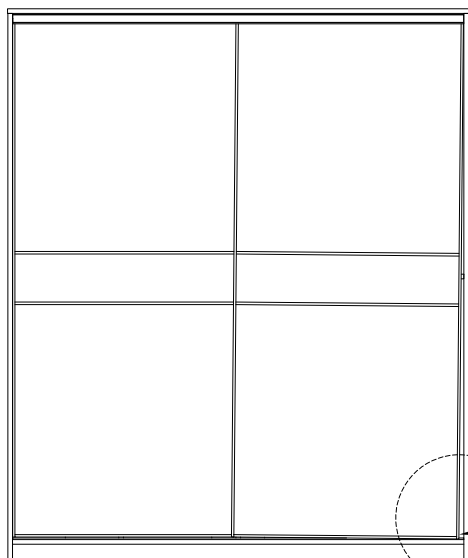


趟门下轮



移门定位器

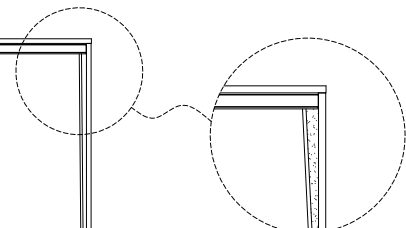
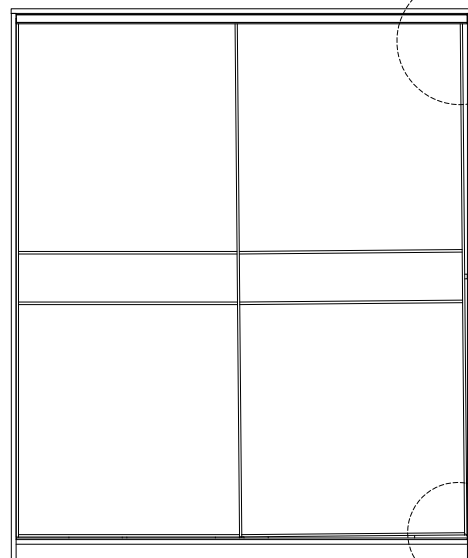
情景一:



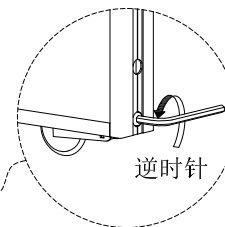
门板下边有缝

此处趟门轮
顺时针调高

情景二:



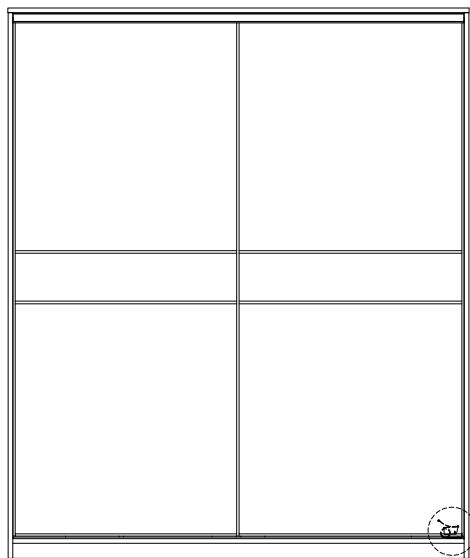
门板上边有缝



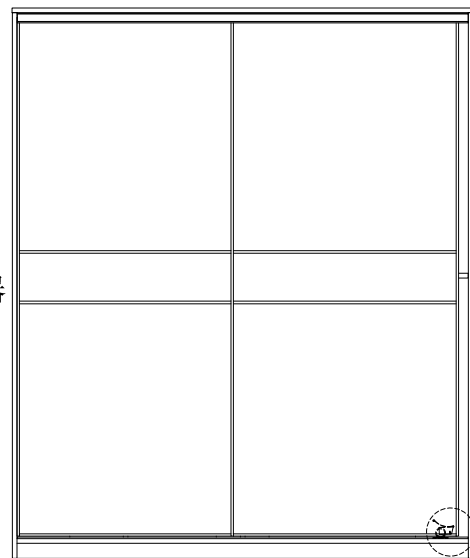
此处趟门轮
逆时针调低

确保地板是平整的情况下, 如发生此两种情况可用5mm内六角扳手调节趟门下轮的松紧度, 从而调整左右两边趟门下轮的高度, 两边调整至适当高度即可。

情景三:



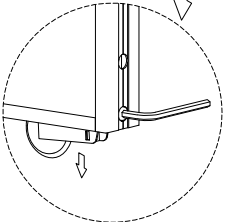
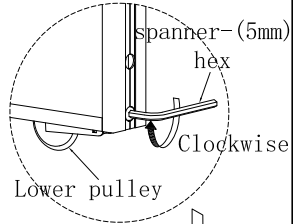
情景四:



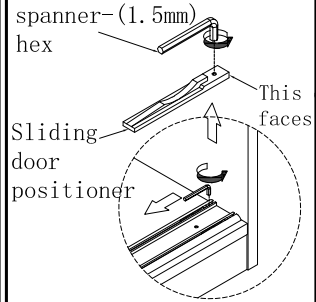
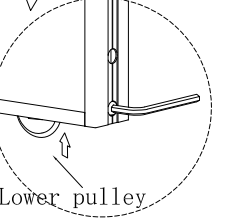
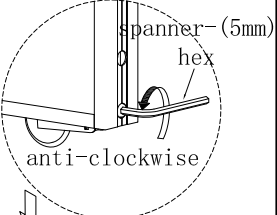
在调节趟门轮后仍出现以上情况时, 可用1.5mm内六角扳手将移门定位器适当往里外调整至适当位置拧紧即可。

安装方法/
Installation method

Gate wheel height adjustment

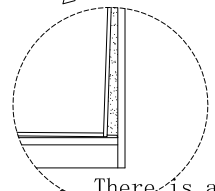
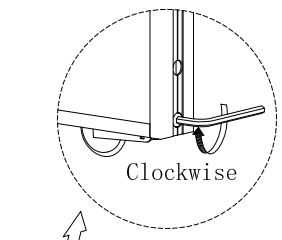
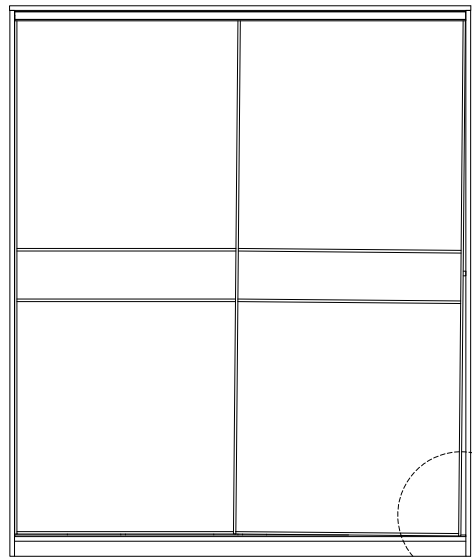


Lower the gate wheel



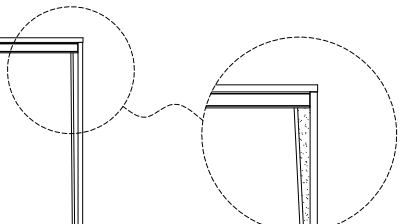
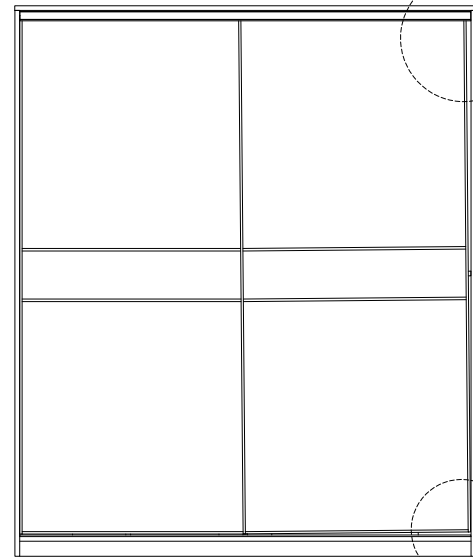
Sliding door positioner

Scenario 1:

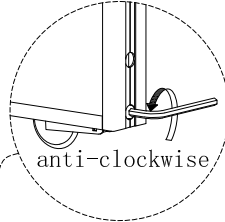


There is a seam under the door panel

Scenario 2:

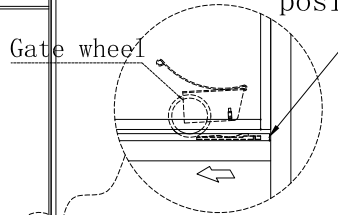
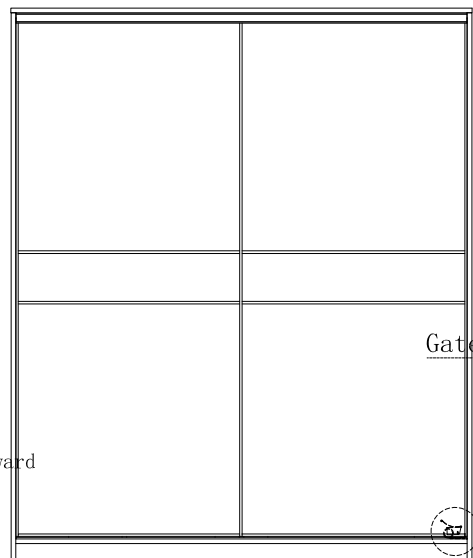


There is a seam on the door panel



Under the condition that the floor is flat, in case of these two situations, the tightness of the lower wheel of the door can be adjusted with a 5mm Allen wrench, so as to adjust the height of the lower wheel of the door on the left and right sides, and adjust both sides to the appropriate height.

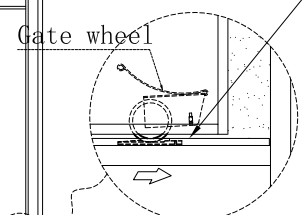
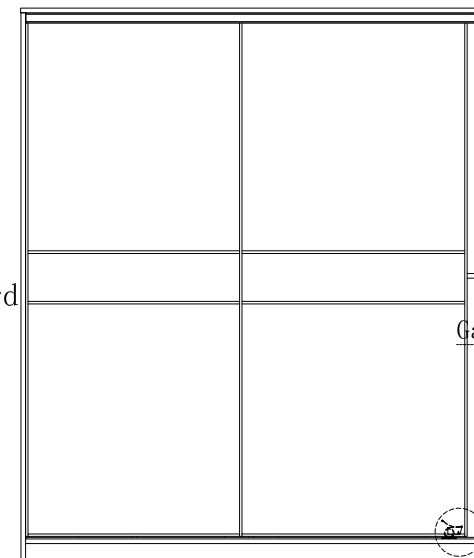
Scenario 3:



Move the door positioner inward

The whole door is closed tightly, but the positioner is still not stuck

Scenario 4:



Move the door positioner outward

The whole door is stuck to the positioner, and there is still a seam

If the above situation still occurs after adjusting the gate wheel, adjust the door moving positioner to a proper position inside and outside with a 1.5mm Allen wrench and tighten it.