

LINSY 林氏家居

五金表/Hardware list

部件表/Parts List

安装示意图/Assembly Instruction

产品名称 Model NO.

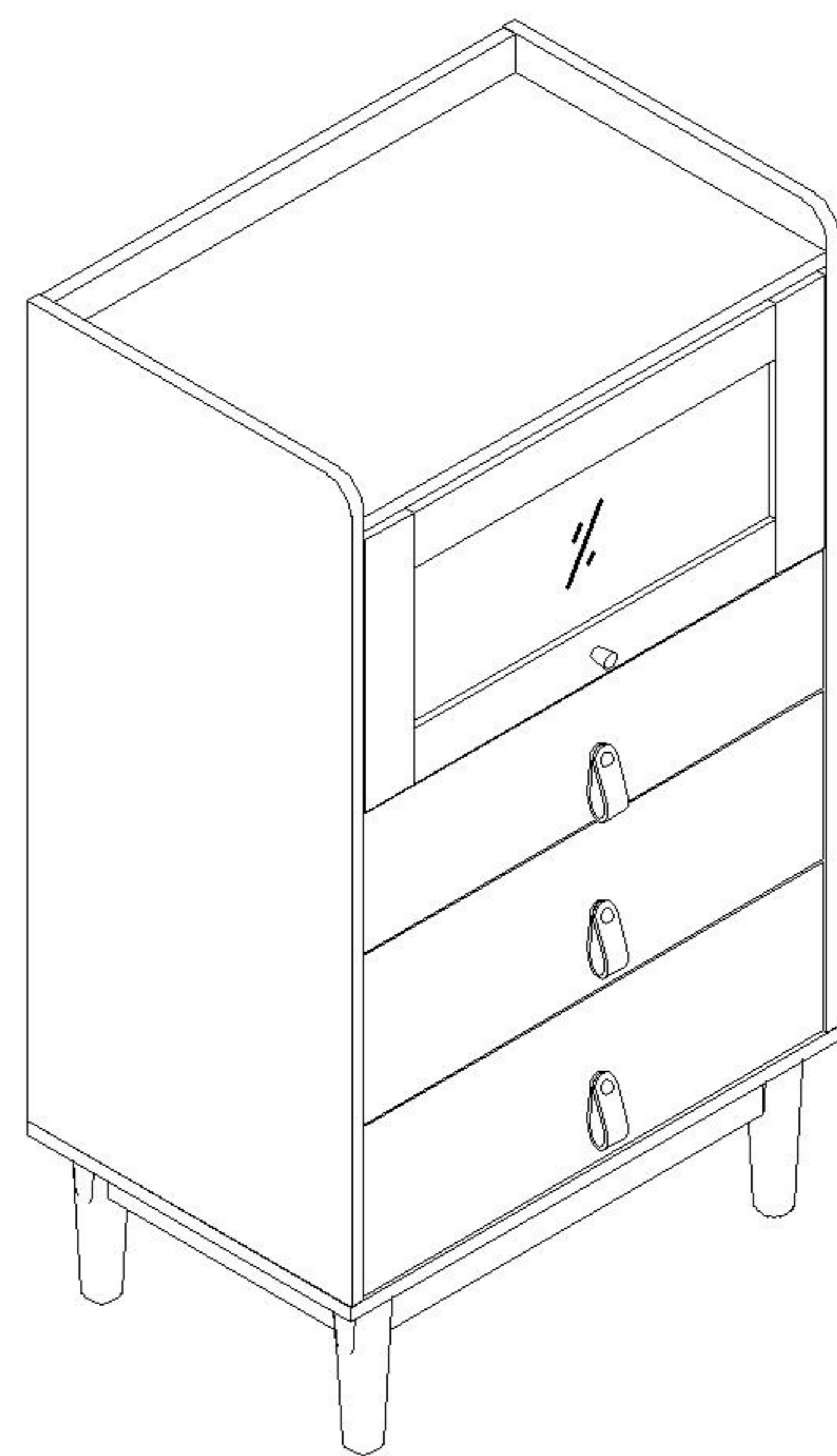
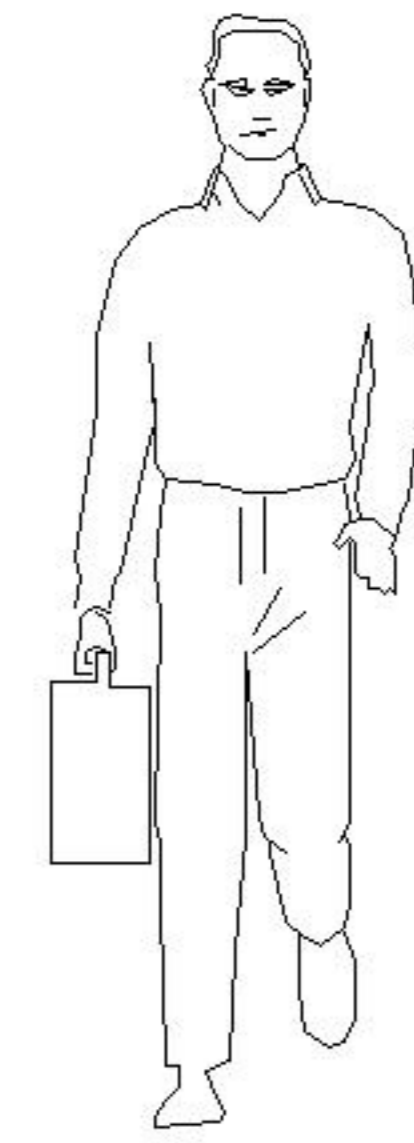
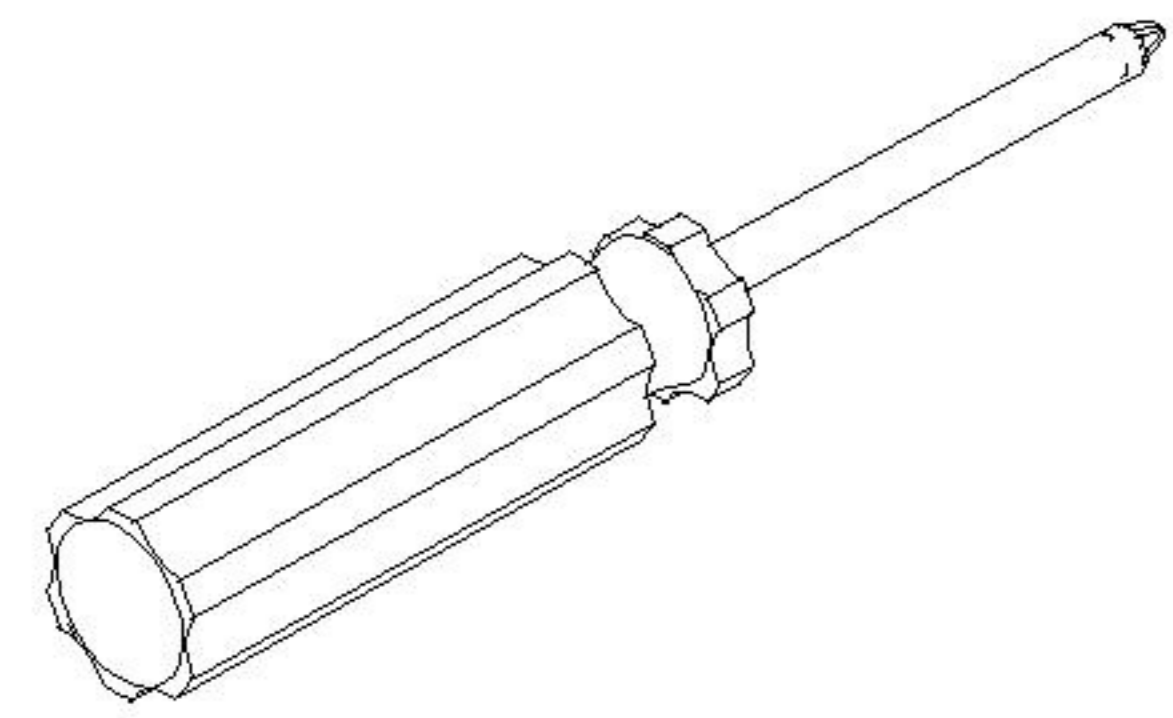
MQ2E-A(0.6m)

产品规格 Specification

600*416*1060 mm

安装工具 Tool

安装人数 Installer

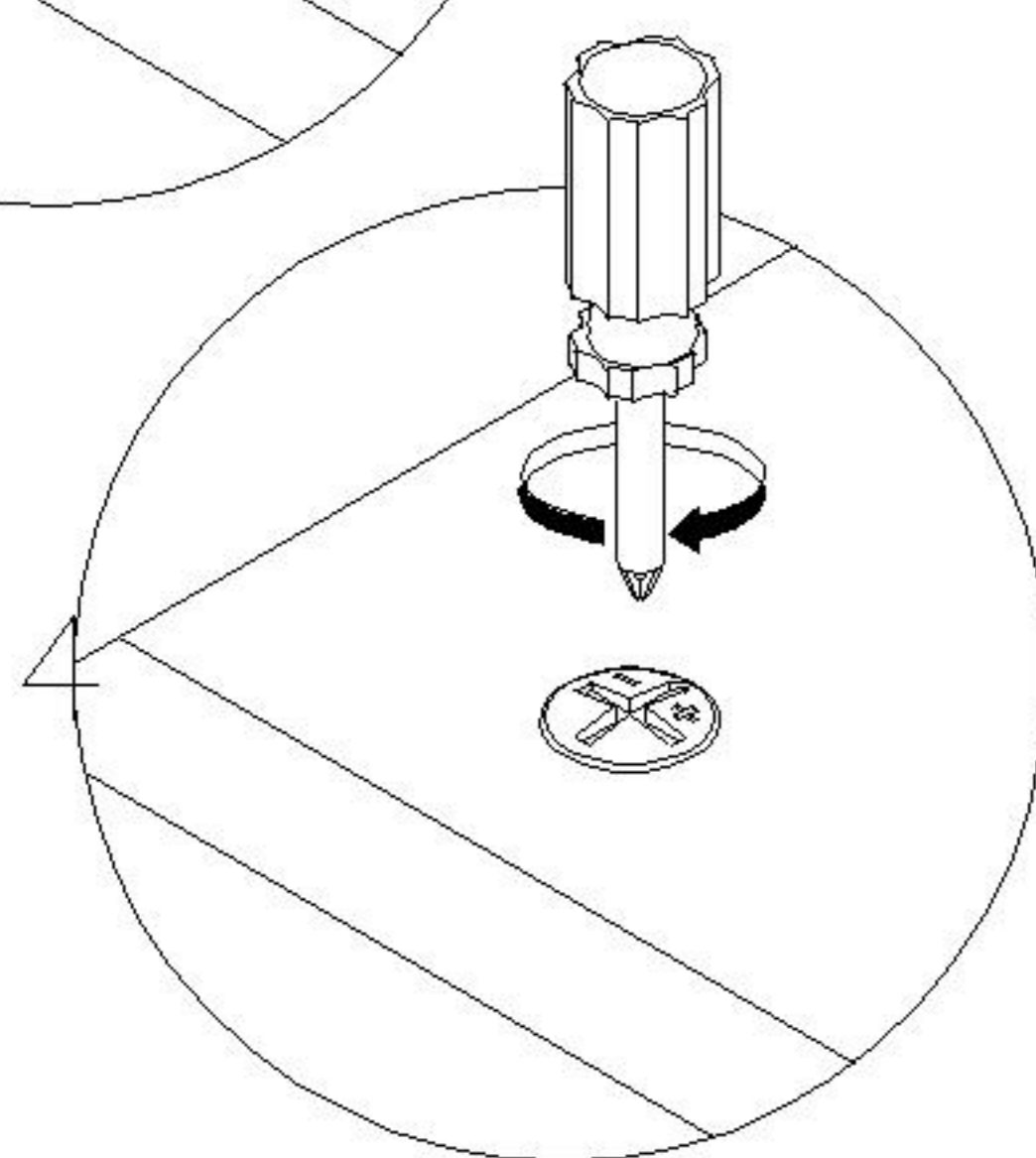
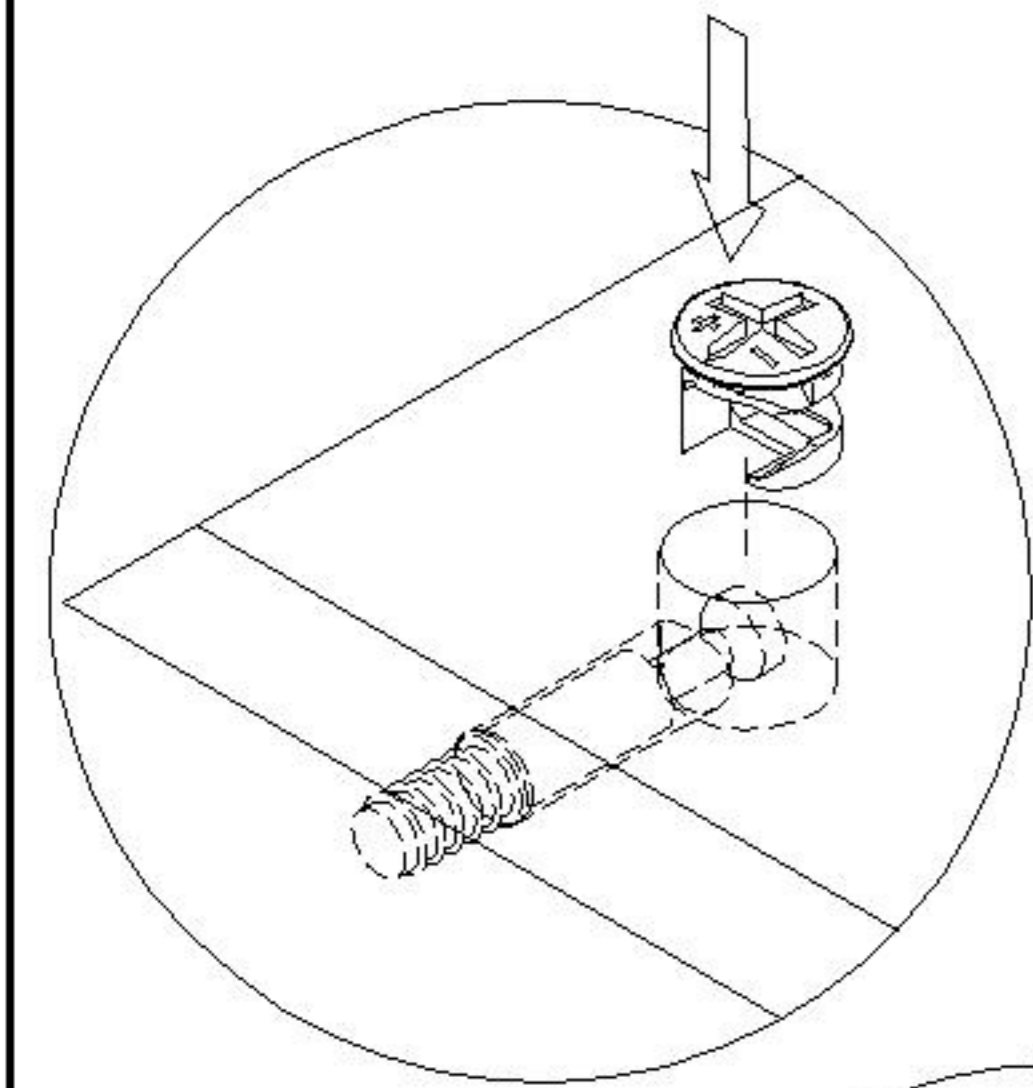
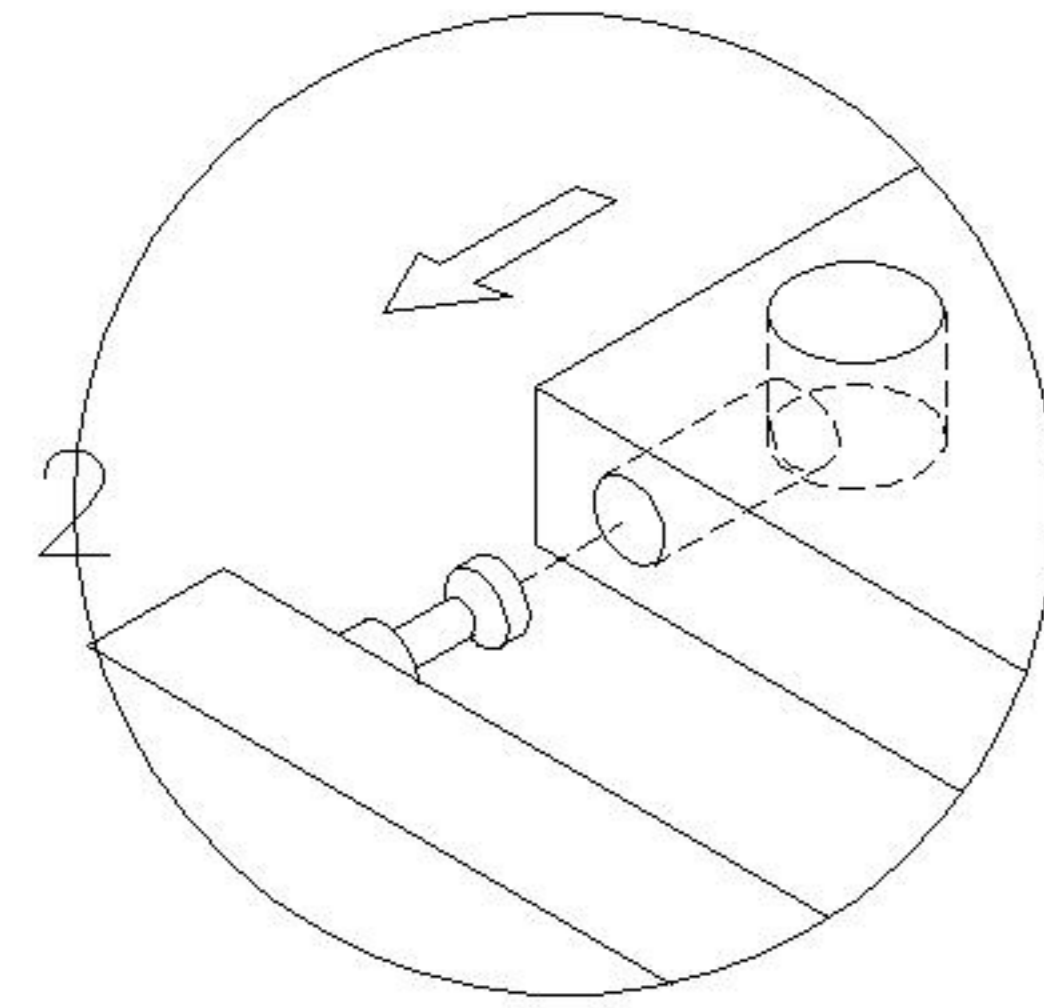
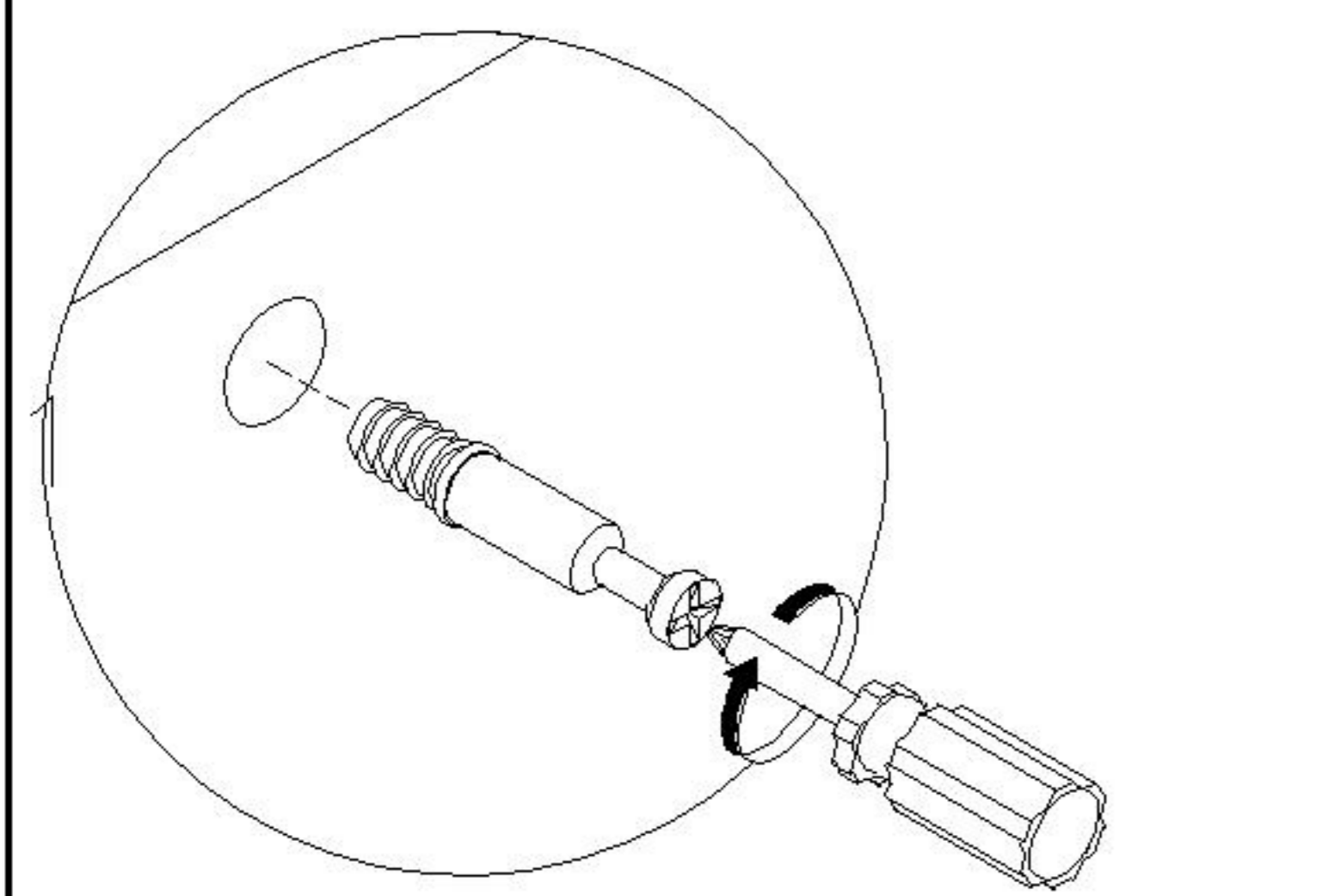


 (A)* 42 自攻螺丝M3.5x12mm Self-tapping screw	 (B)* 4 拉手螺丝-M4x18mm pulling screw	 (C)* 21 大三合一锁饼(15mm) Three-in-one large lock	 (D)* 21 二合一螺杆(35mm) 2-in-1-screw
 (E)* 13 自攻螺丝M4x40mm Self-tapping screw	 (F)* 13 塑料螺母 Plastic Nut	 (G)* 13 小三合一锁饼(13mm) small three-in-one lock	 (H)* 13 小二合一杆7*28 small two-in-one rod
 (I)* 2 透明防撞垫片Ø10x1.5 Transparent anti-collision gasket	 (J)* 2 家具防倒器-白色 Anti-fall device white	 (K)* 2 自攻螺丝M4x25mm Self-tapping screw	 (L)* 13 木榫Ø8x30mm wood tenon
 (M)* 4 斜边十字螺杆-M8x50 bevel cross screw	 (N)* 4 透明防滑PVC胶塞 Rubber stopper	 (O)* 13 背板扣 Back Plate Buckle-White	 (P)* 13 自攻螺丝M3.5x16mm Self-tapping screw
 (Q)* 1 圆拉手 Round handle	 (R)* 3 皮拉手 Leather handle	 (S)* 3 三节滚珠导轨-10" three-section ball rail	 (T)* 4 锤母-M8 Ø8x15mm Hammer nut
 (U)* 1 隐藏两节导轨 two-section hide rail	 (V)* 6 自攻螺丝M4x20mm Self-tapping screw	 (W)* 1 夹板条L=498mm White splint strip	
五金U包含以下五金 Hardware u includes the following hardware:			
 (U1)* 2 导轨 two-section hide rail	 (U2)* 2 挂钩 two-section hide rail	 (U3)* 2 档条 two-section hide rail	

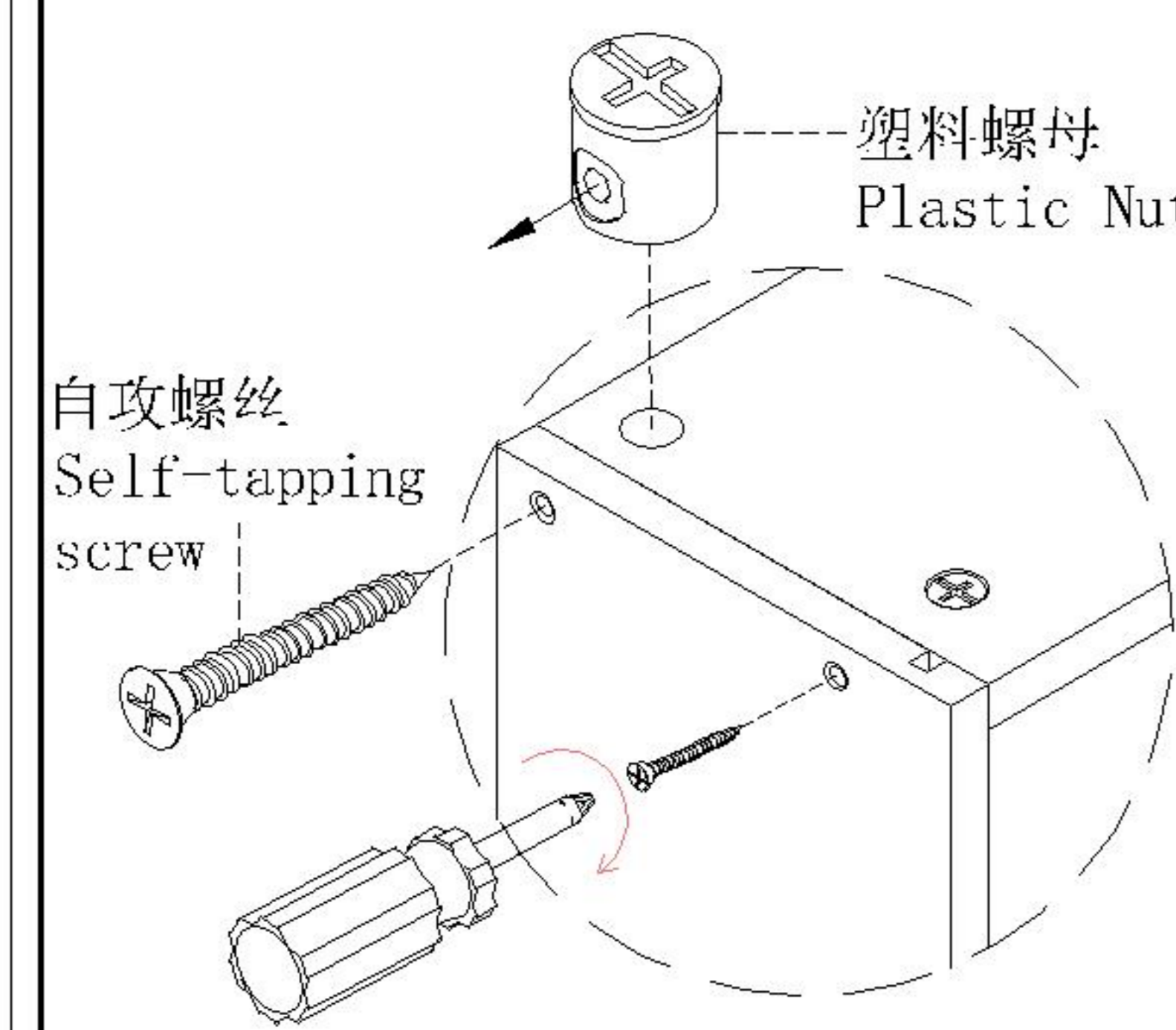
编号NO.	名称Name	规格 (mm) Specification	数量QTY	材质Material
①	上拉条 Top brace	568*58*15	1	三胺板Melamine
②	面板 Top panel	568*381*15	1	三胺板Melamine
③	层板 Shelf	568*381*15	1	三胺板Melamine
④	底板 Bottom board	600*398*15	1	三胺板Melamine
⑤	左侧板 Side board(L)	870*398*15	1	三胺板Melamine
⑥	右侧板 Side board(R)	870*398*15	1	三胺板Melamine
⑦	背板1 Back board 1	578*309*5	1	三胺板Melamine
⑧	背板2 Back board 1	507*288*5	2	三胺板Melamine
⑨	前拉条 Front brace	460*58*15	1	三胺板Melamine
⑩	侧拉条 Side brace	290*58*15	2	三胺板Melamine
⑪	脚 Foot	170*45*30	4	实木 Wood
⑫	门板 Door board	564*289*15	1	三胺板+亚克力 Melamine+Acrylic
⑬	上抽屉面板 Upper drawer panel	564*148*15	1	三胺板Melamine
⑭	上抽屉左侧板 Side plate of upper drawer (L)	295*110*12	1	三胺板Melamine
⑮	上抽屉右侧板 Side plate of upper drawer (R)	295*110*12	1	三胺板Melamine
⑯	上抽屉后板 Upper drawer rear panel	518*110*12	1	三胺板Melamine
⑰	下抽屉面板 Bottom drawer's panel	564*180*15	2	三胺板Melamine
⑱	下抽屉左侧板 Side plate of lower drawer (L)	295*142*12	2	三胺板Melamine
⑲	下抽屉右侧板 Side plate of lower drawer (R)	295*142*12	2	三胺板Melamine
⑳	下抽屉后板 Down drawer's back board	518*142*12	2	三胺板Melamine
㉑	抽屉底板 Drawer's Bottom board	528*291*5	3	三胺板Melamine

MQ2E-A (0.6m)

安装方法/
Installation method

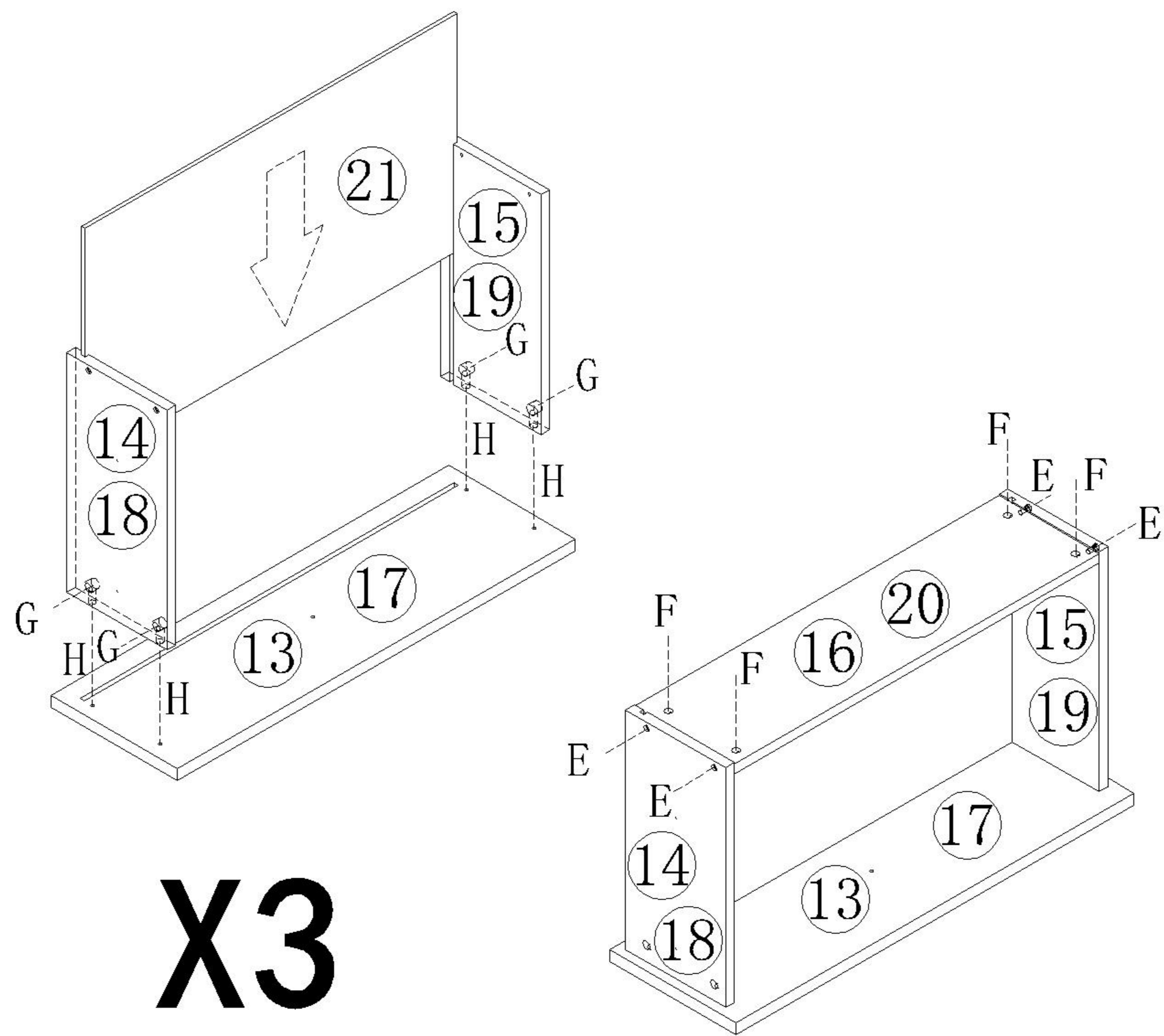


小二合一
small two-in-one



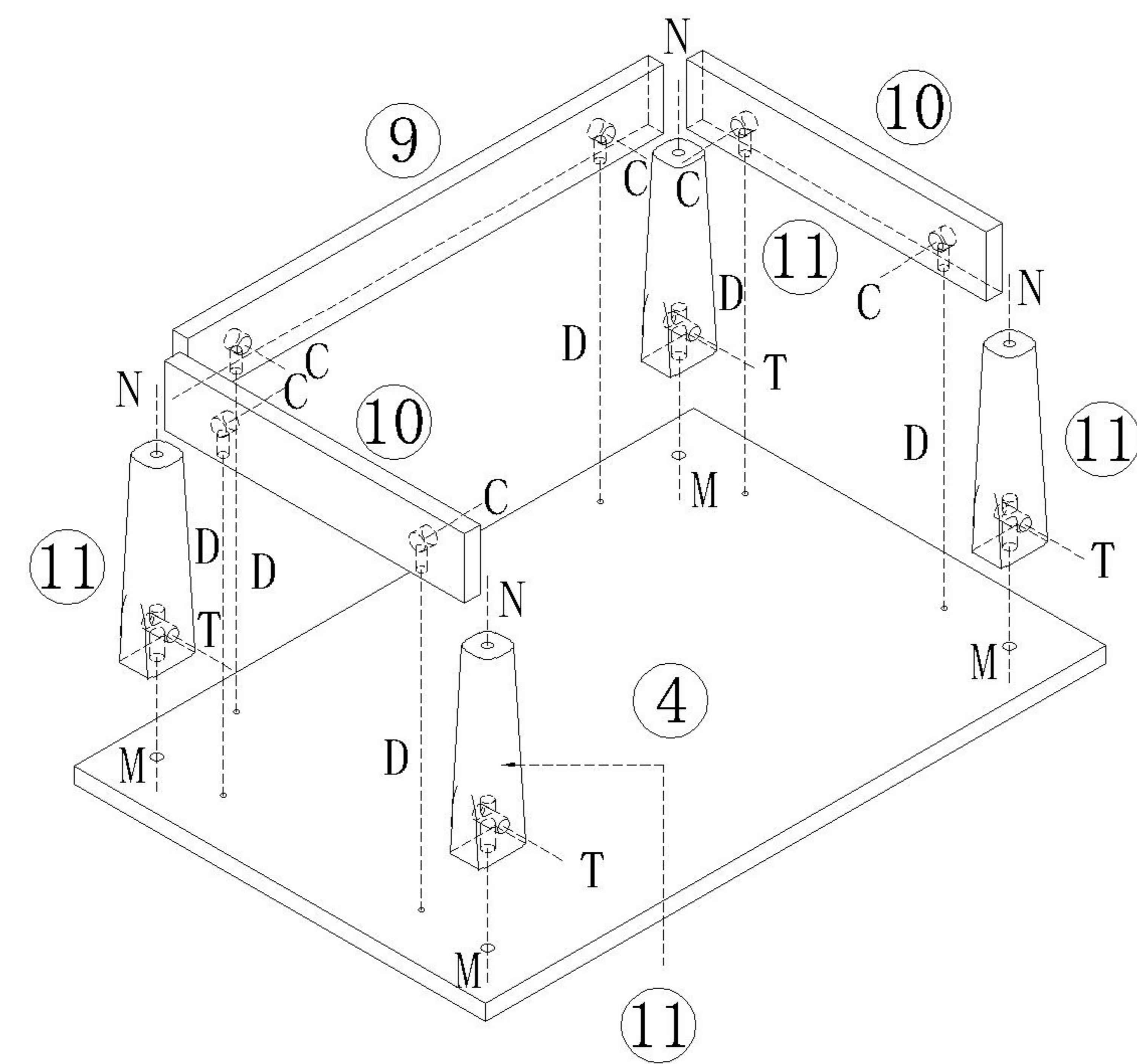
塑料螺母
Plastic Nut

- (E) *12
- (F) *12
- (G) *12
- (H) *12



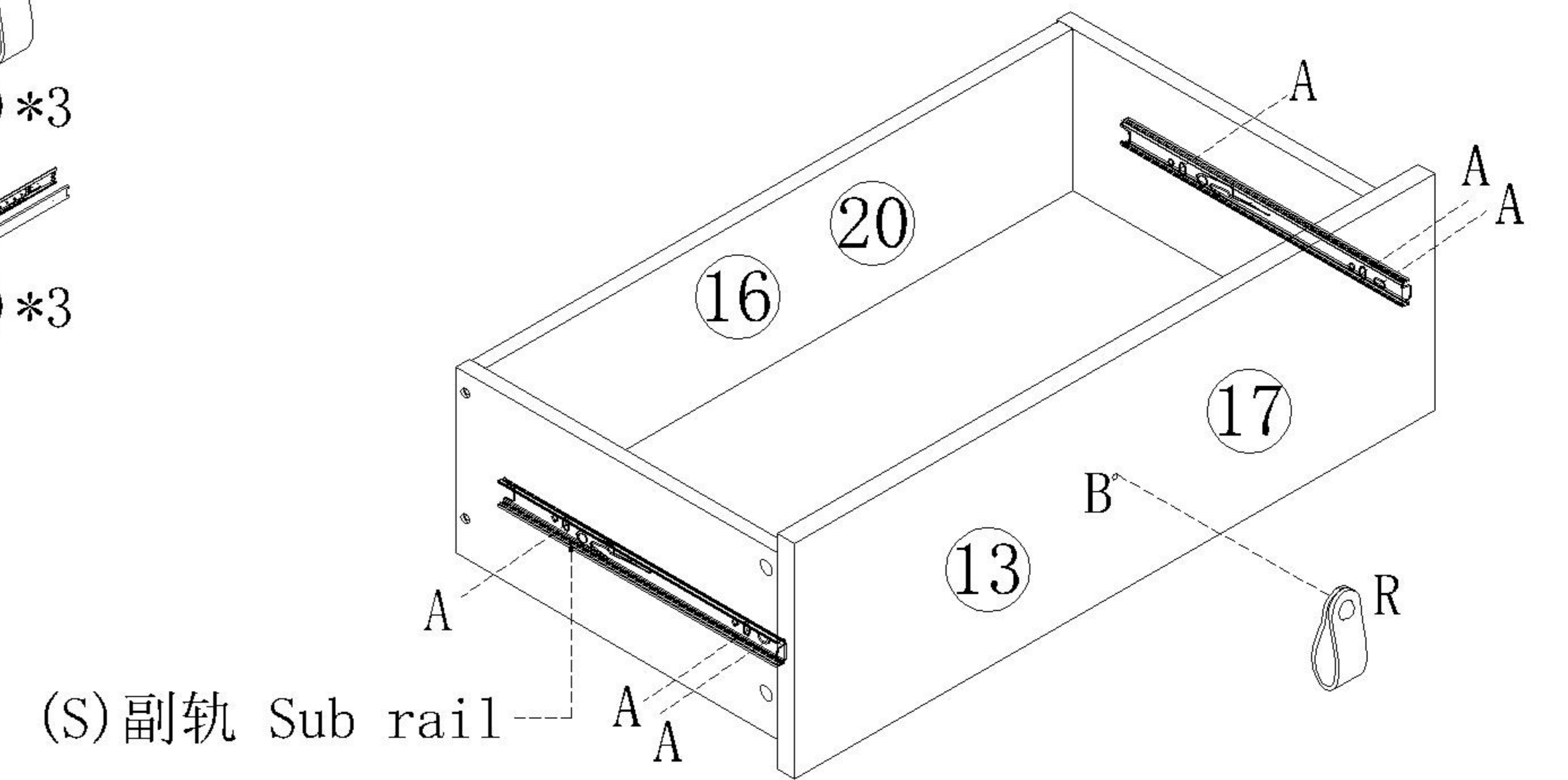
X3

- (C) *6
- (D) *6
- (M) *4
- (N) *4
- (T) *4



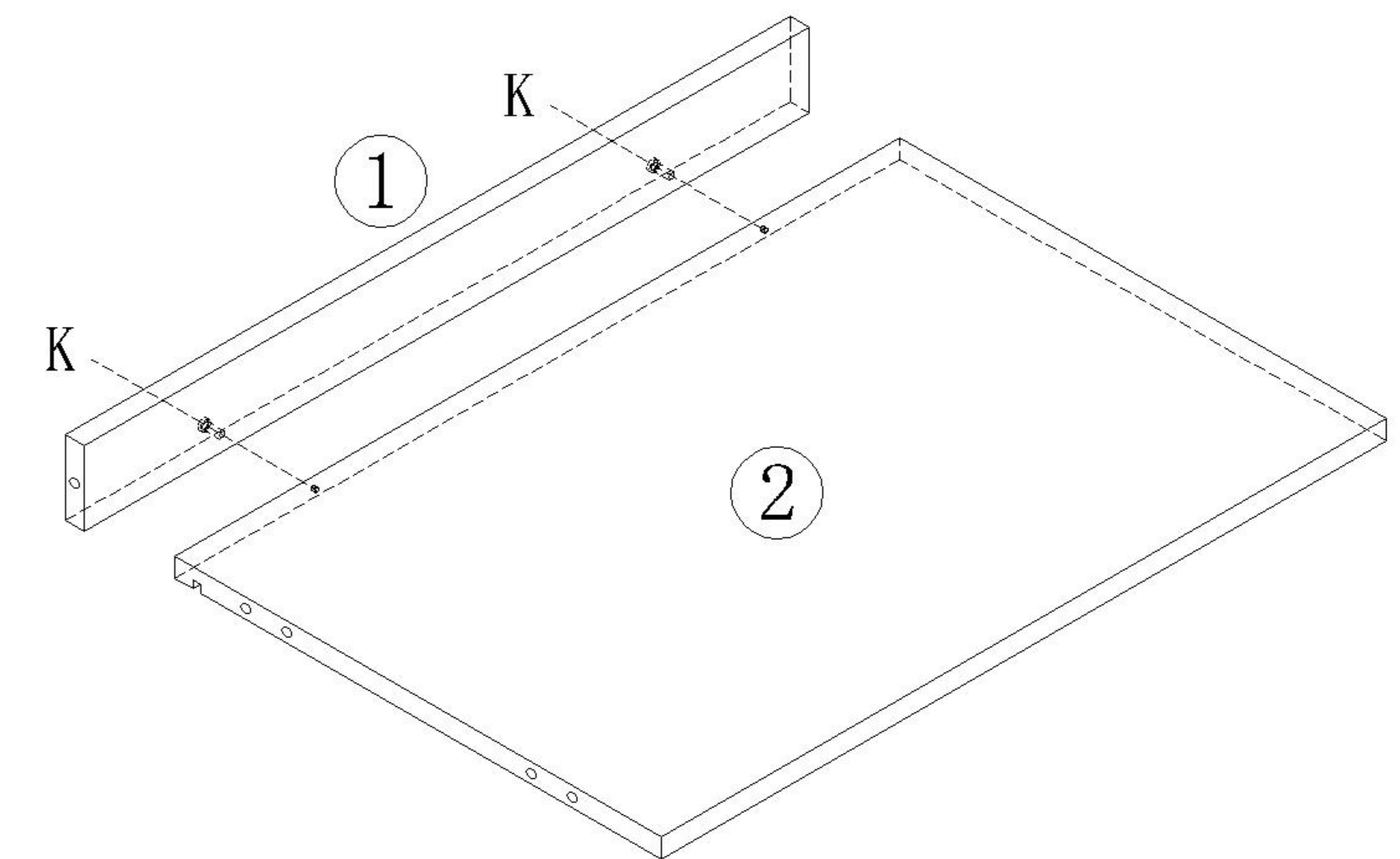
3

- (A) *18
- (B) *3
- (R) *3
- (S) *3



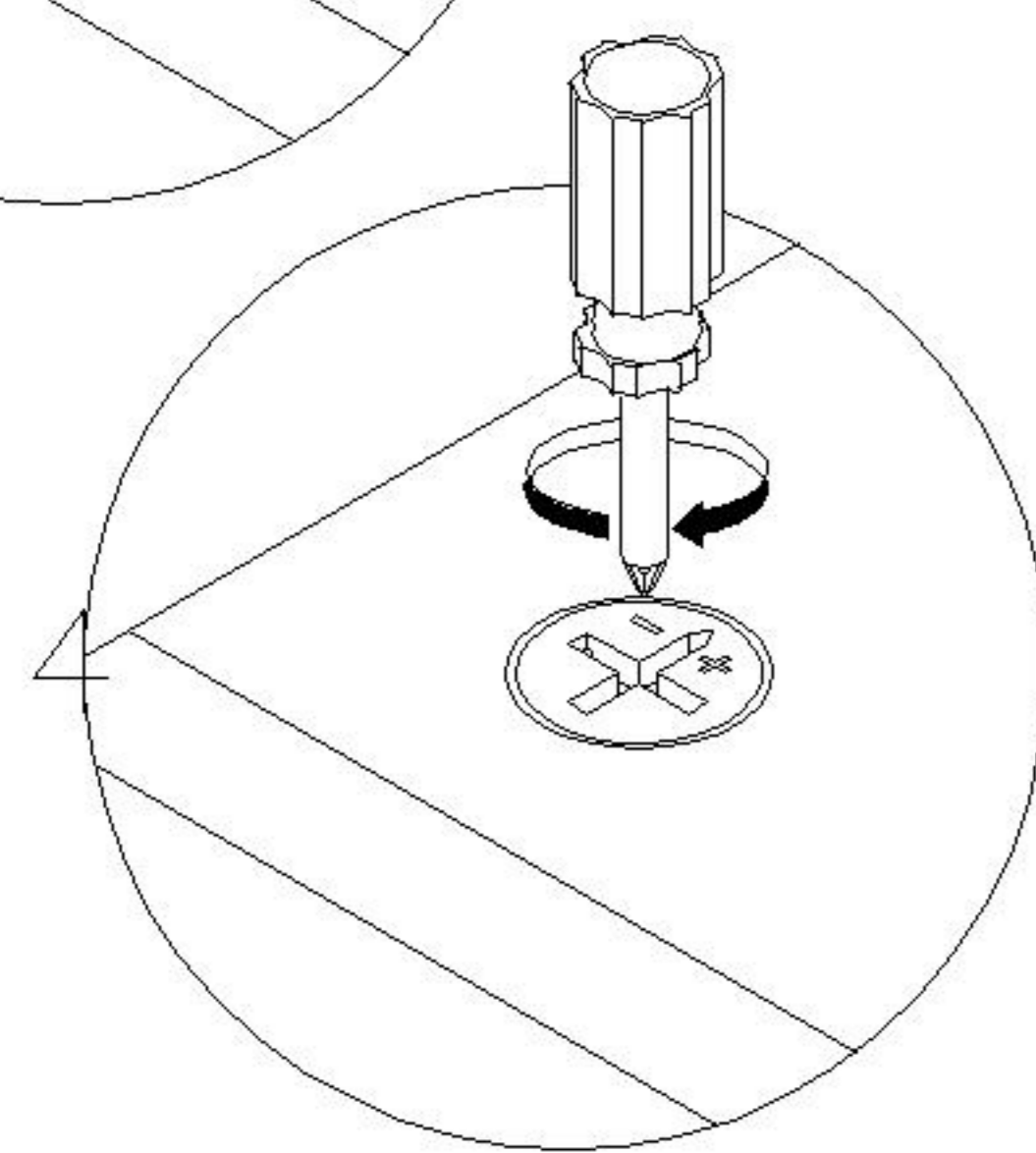
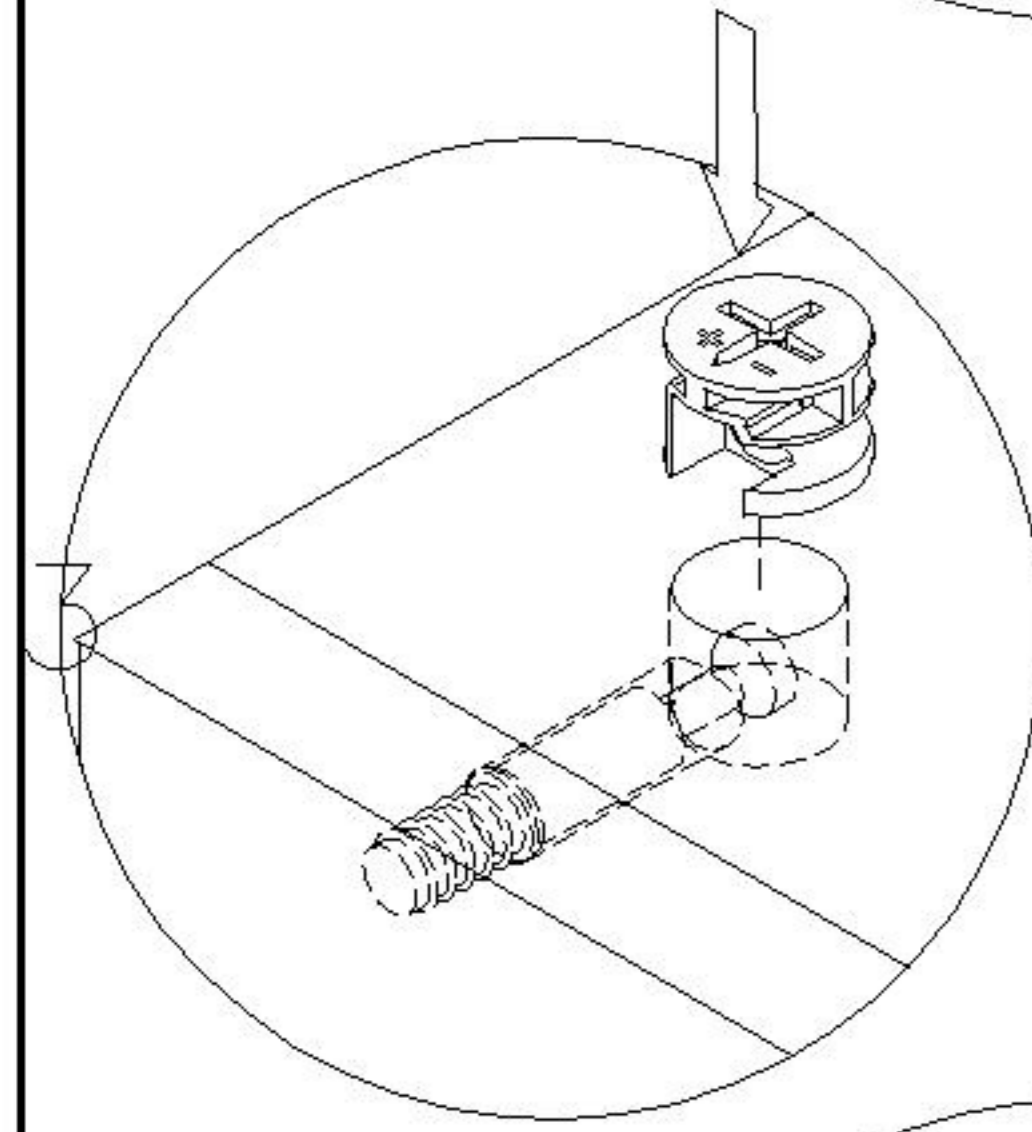
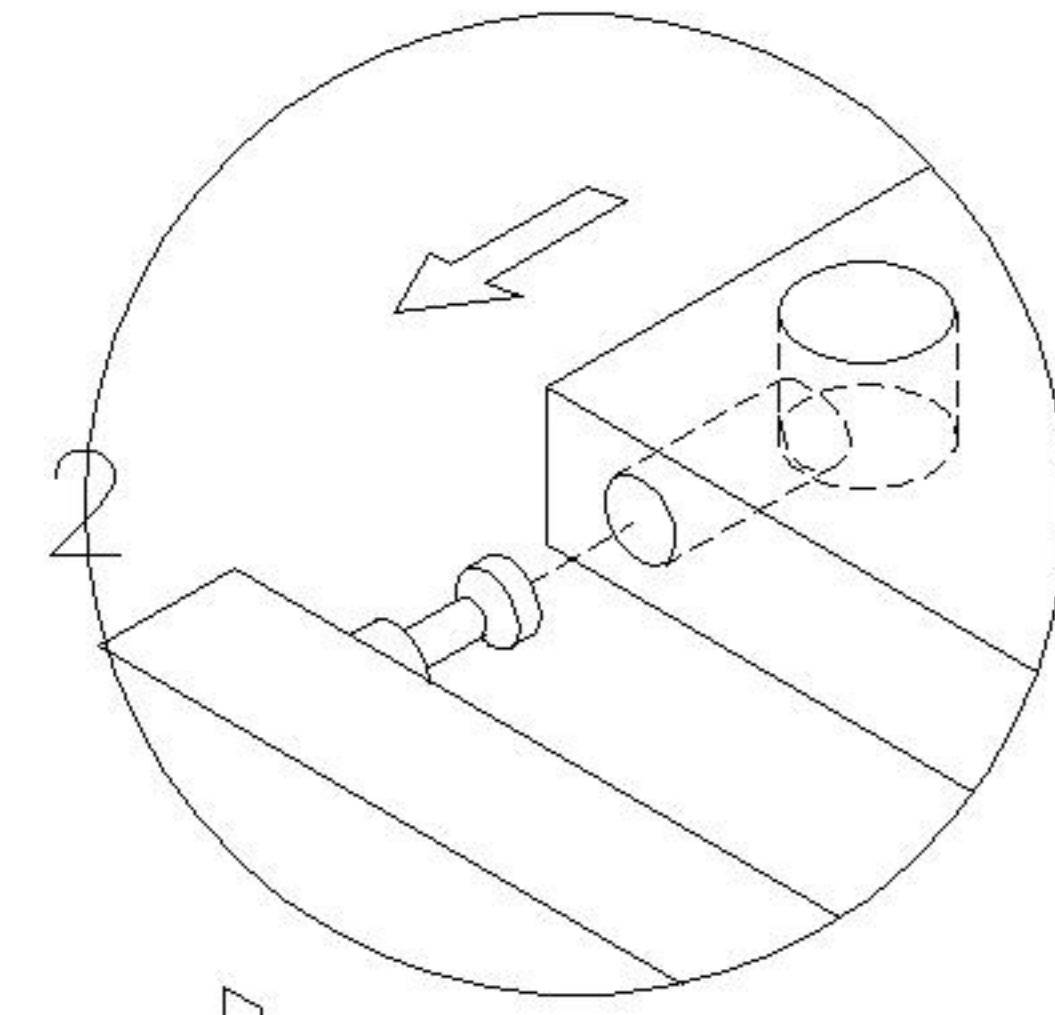
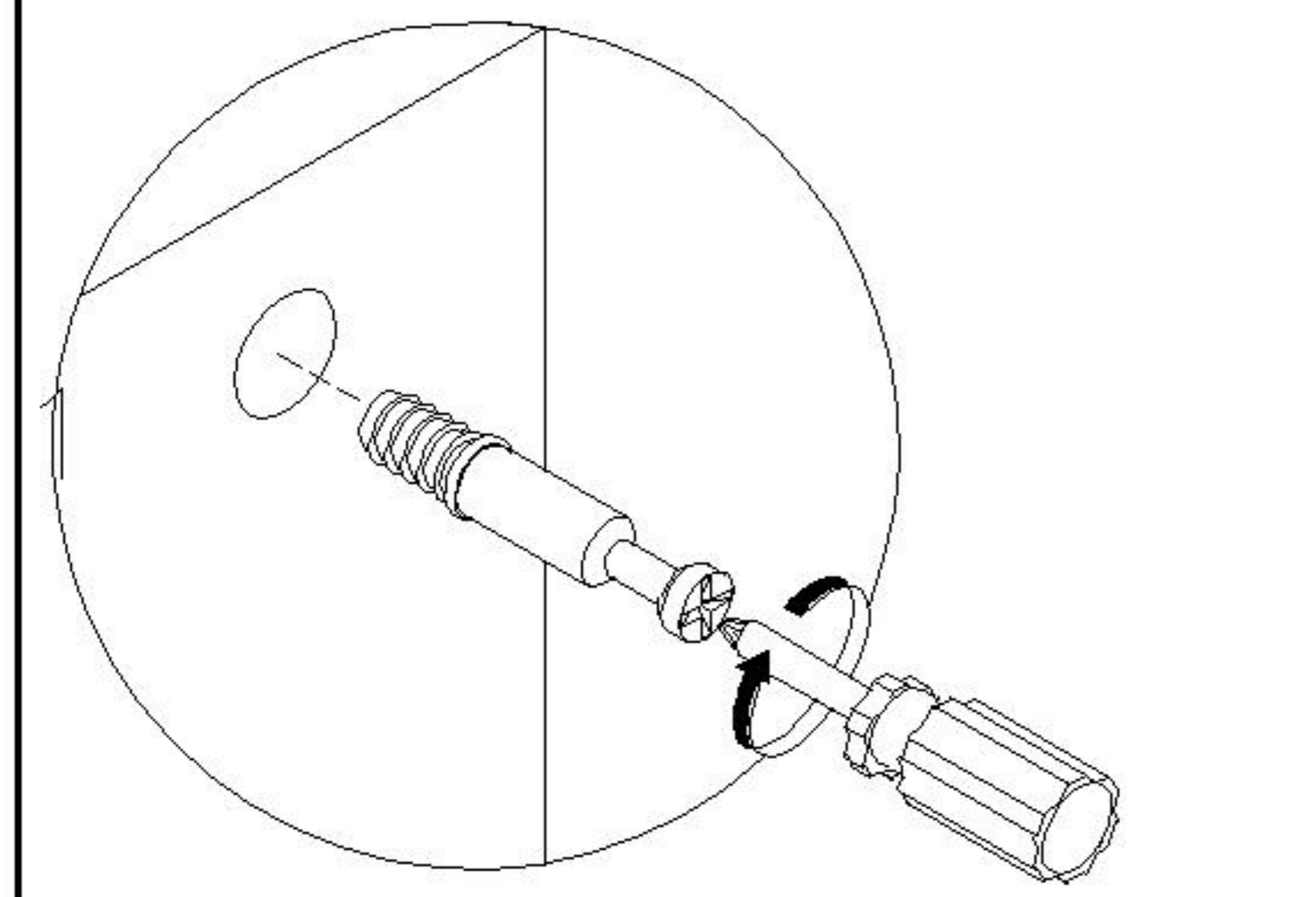
X3

- (K) *2

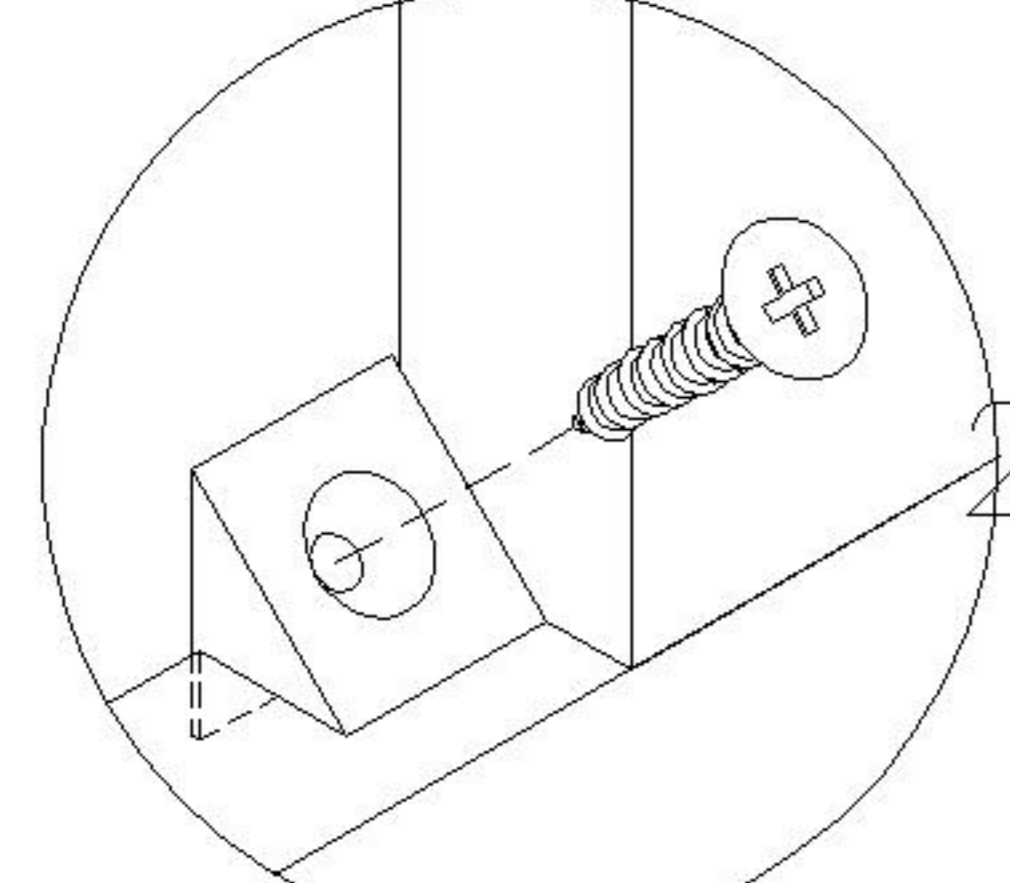
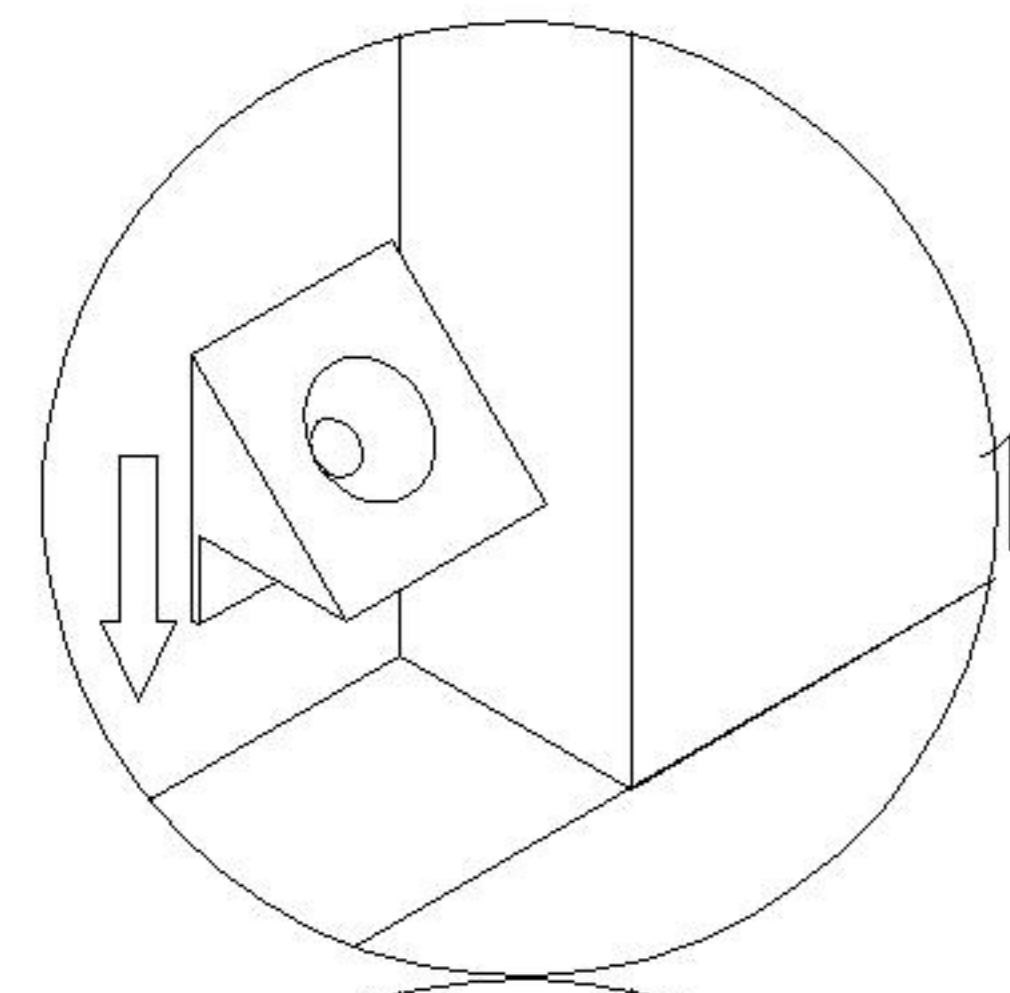


MQ2E-A (0.6m)

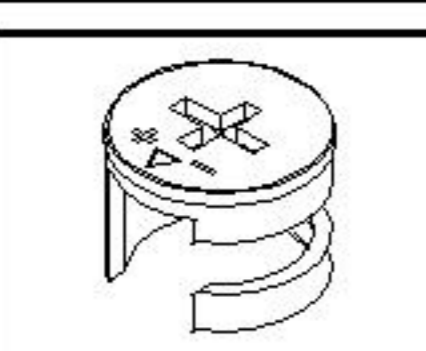
安装方法/
Installation method



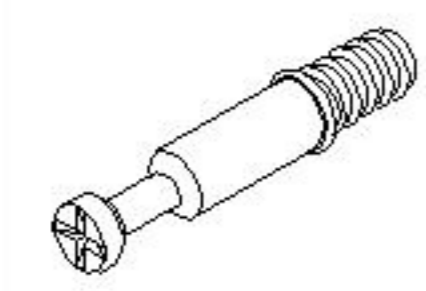
大二合一
two-in-one



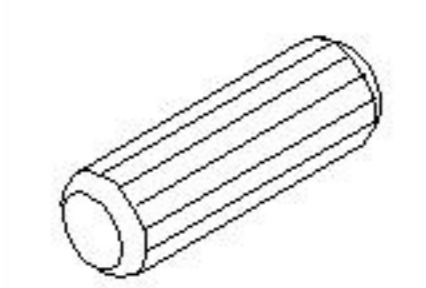
背板扣
Back Plate Buckle-White



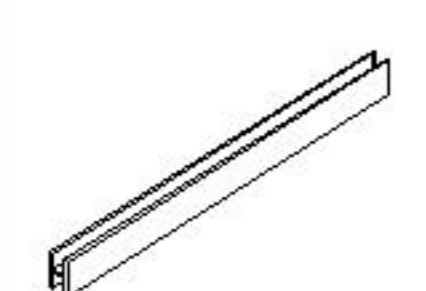
(C)*10



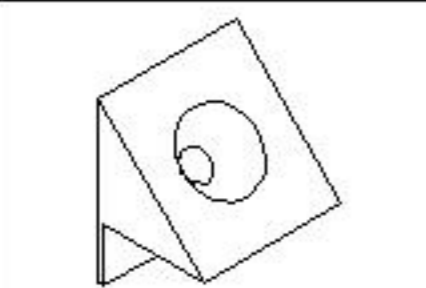
(D)*10



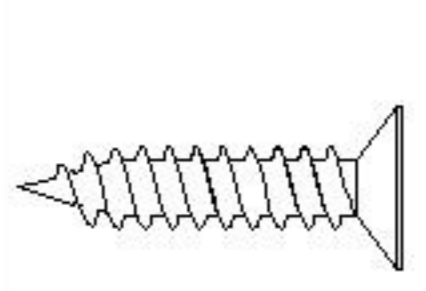
(L)*8



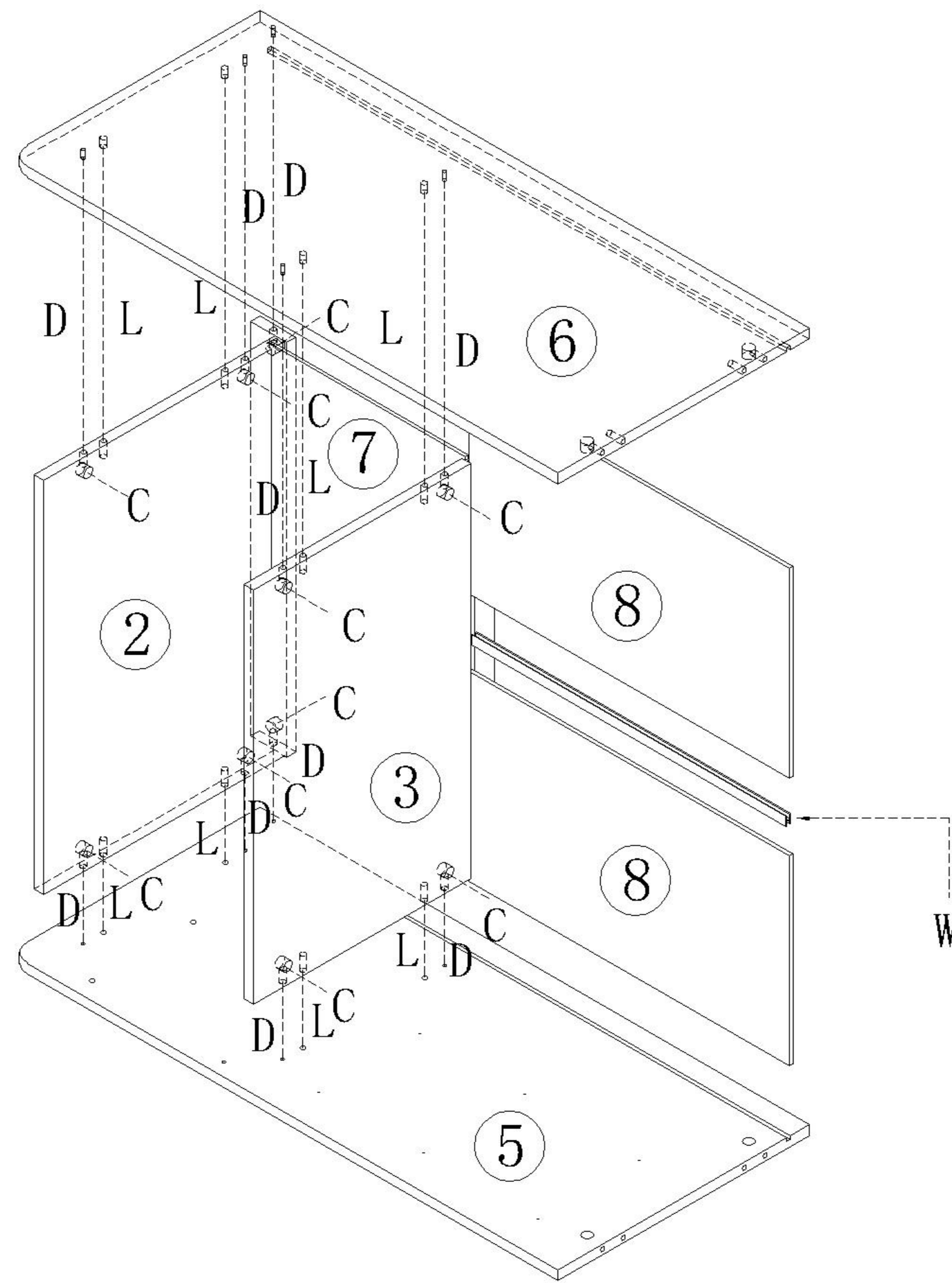
(W)*1



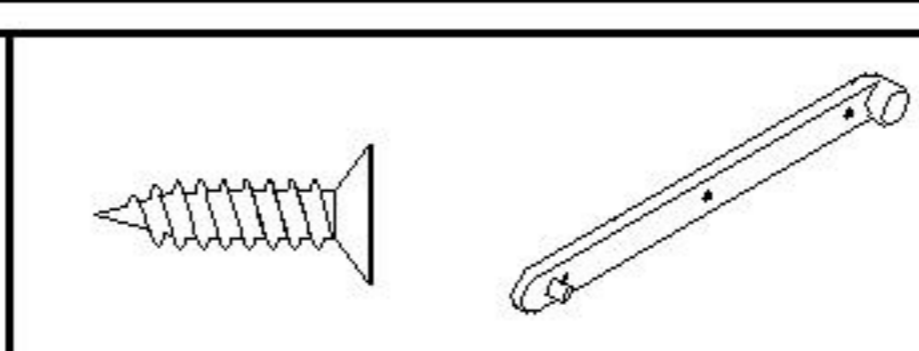
(O)*12



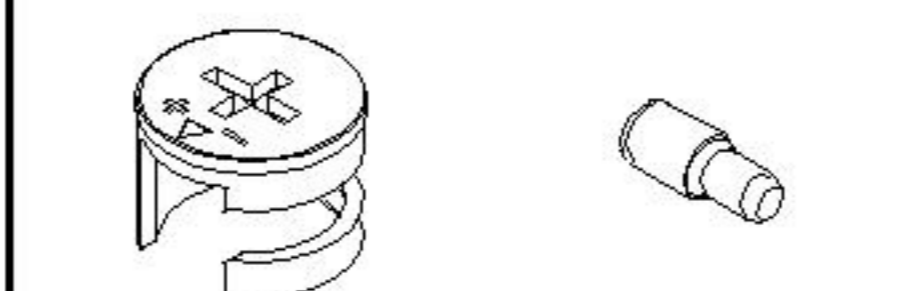
(P)*12



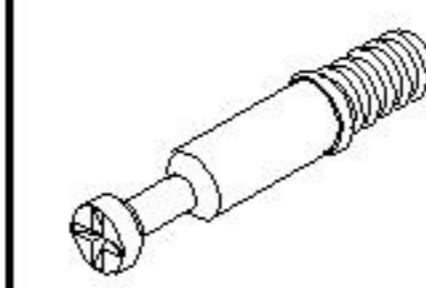
5



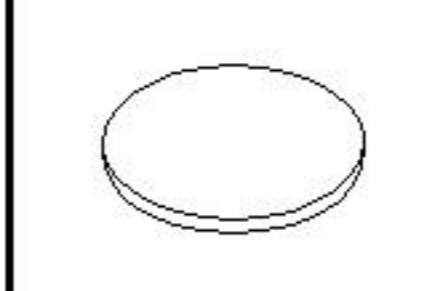
(A)*18 (U1)*2



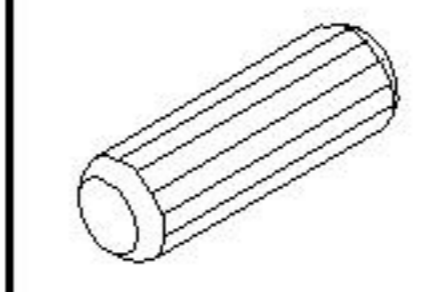
(C)*4 (U3)*2



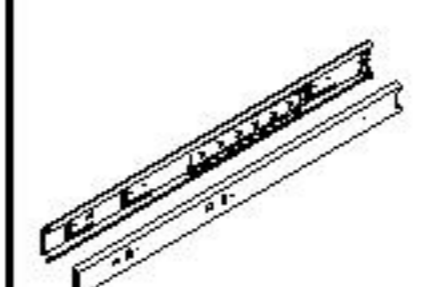
(D)*4



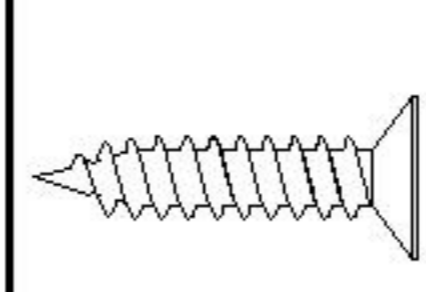
(I)*2



(L)*4

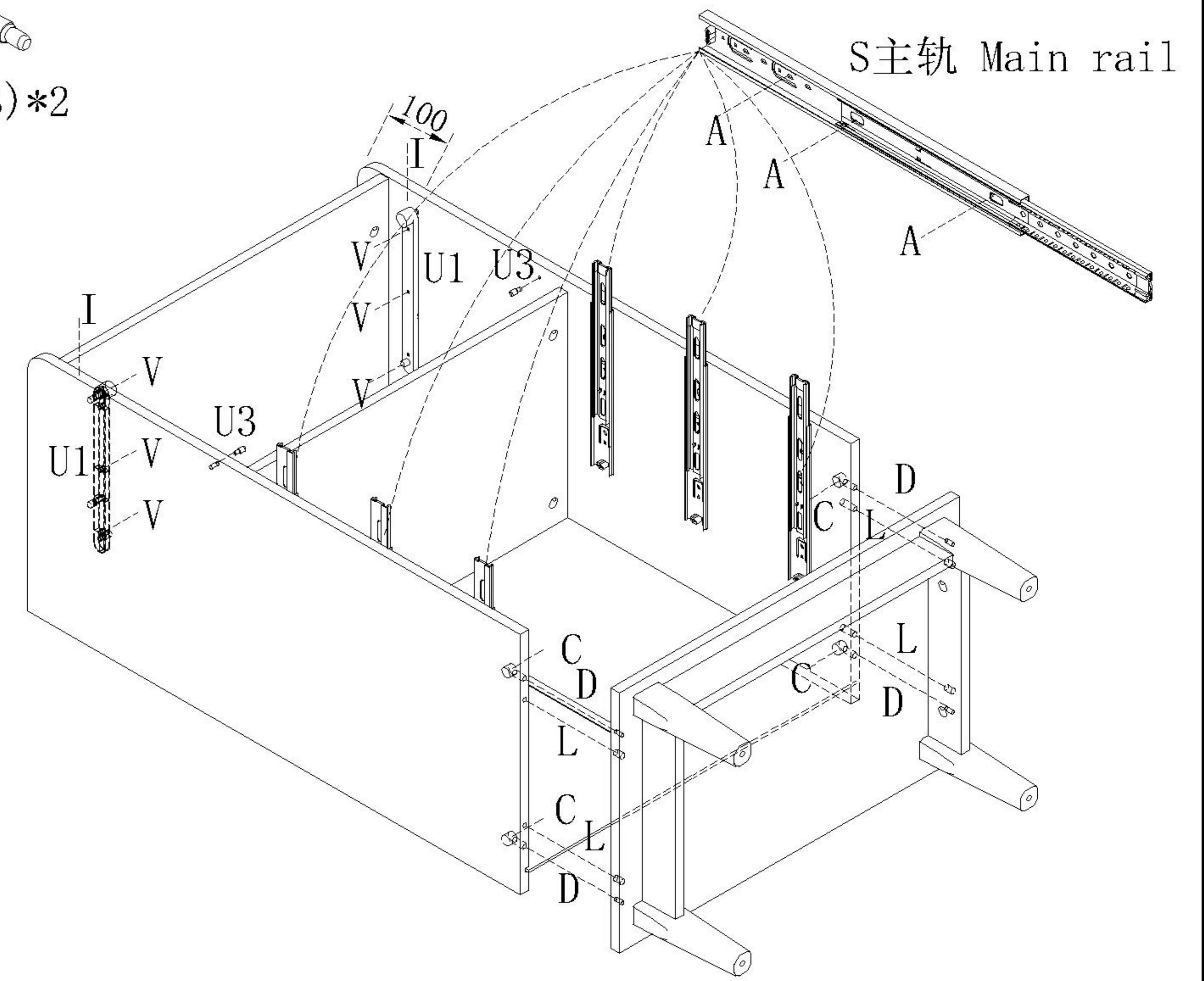


(S)*3

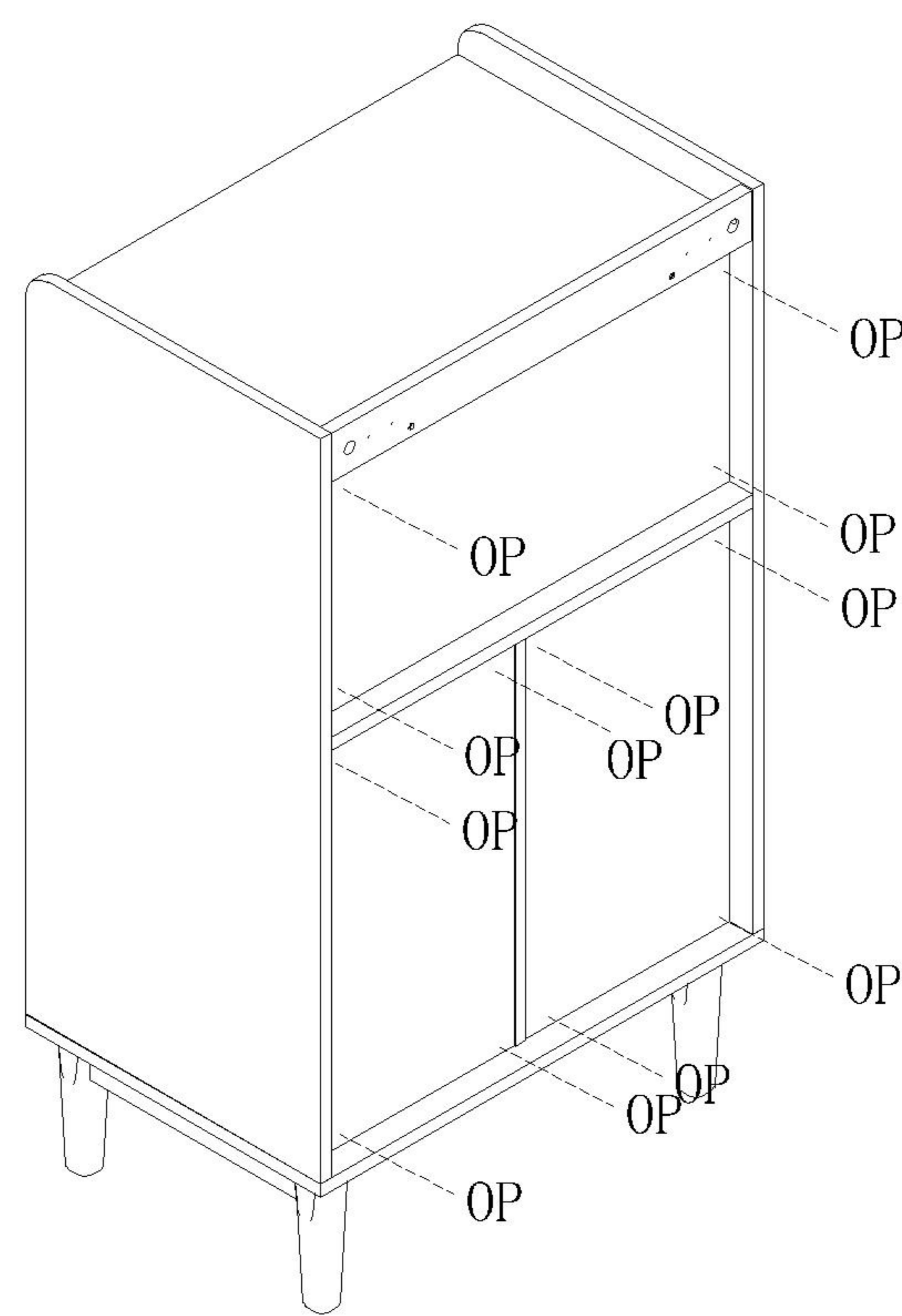


(V)*6

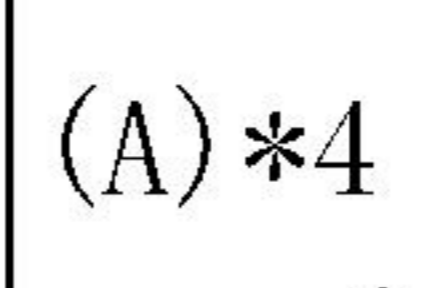
6



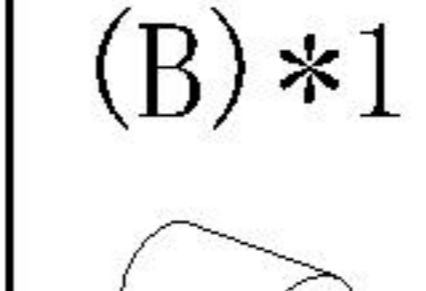
7



(A)*4



(B)*1

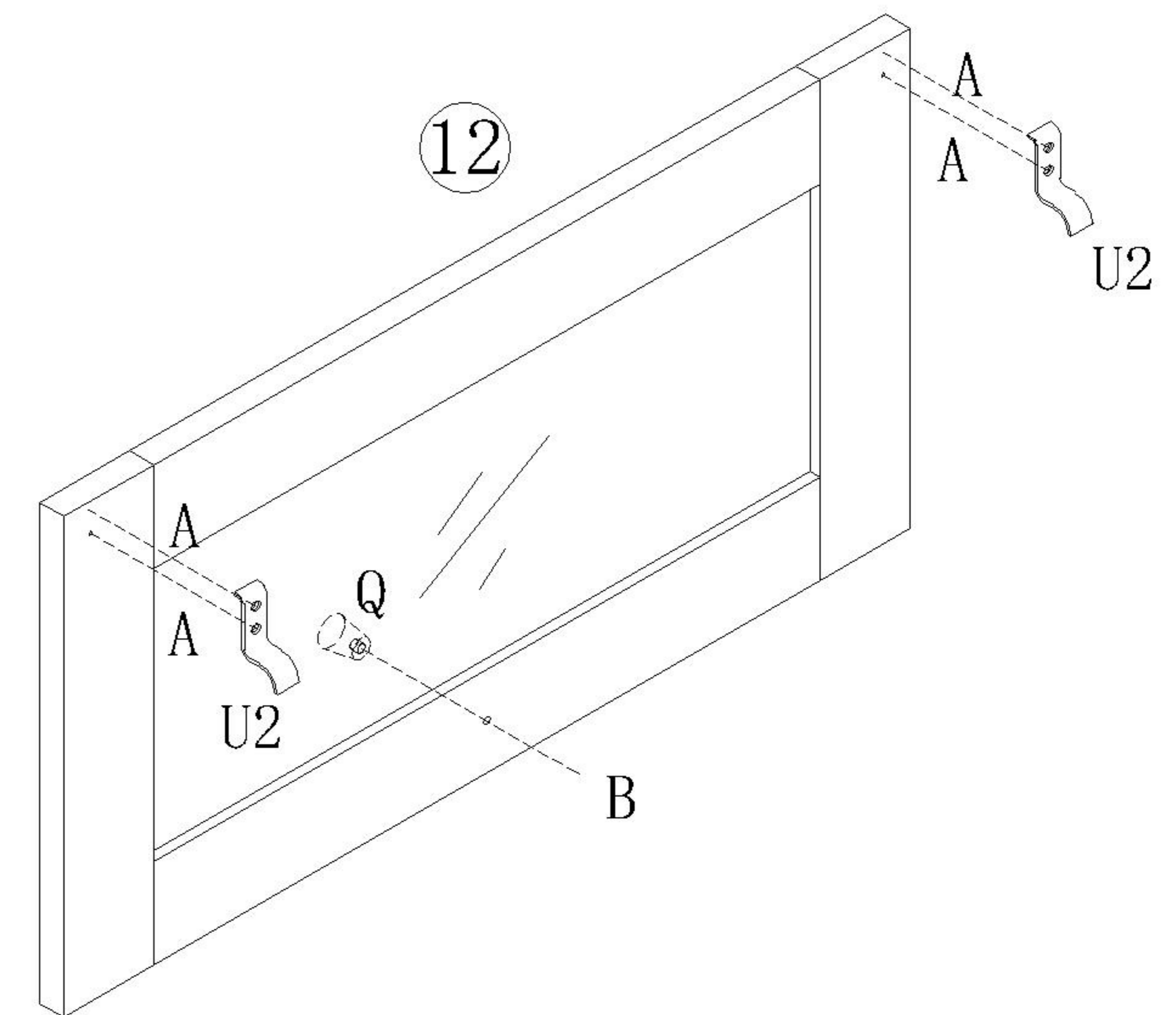


(Q)*1



(U2)*2

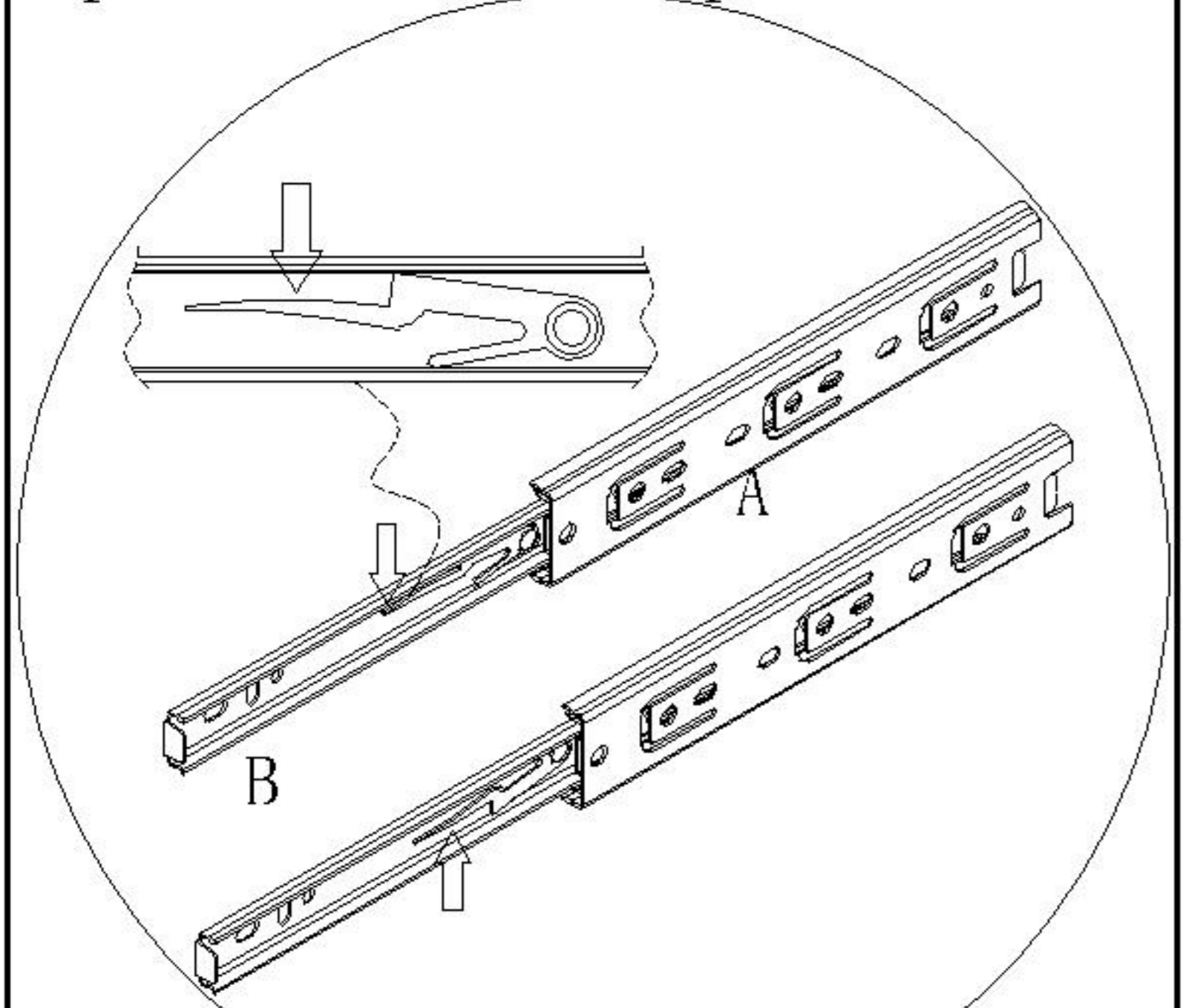
8



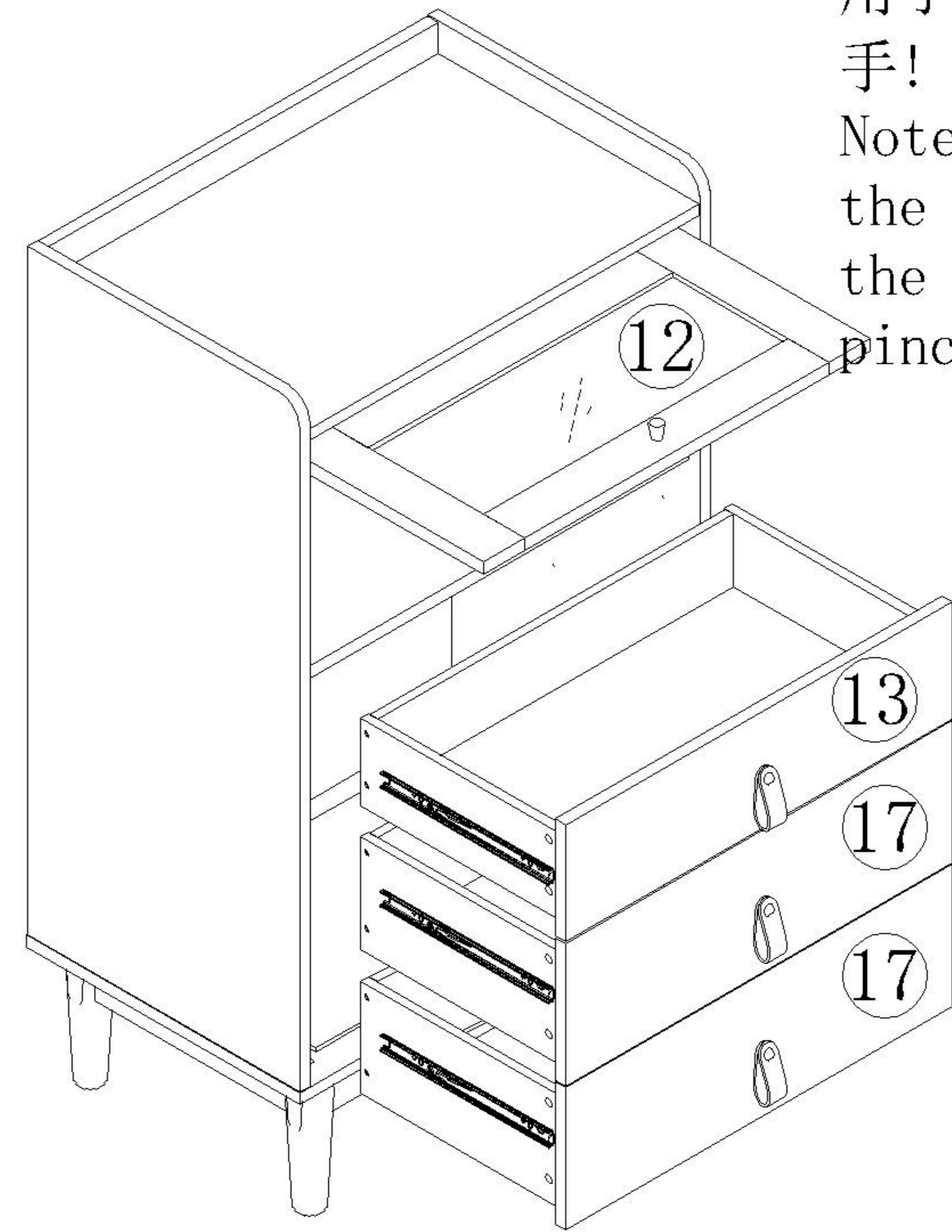
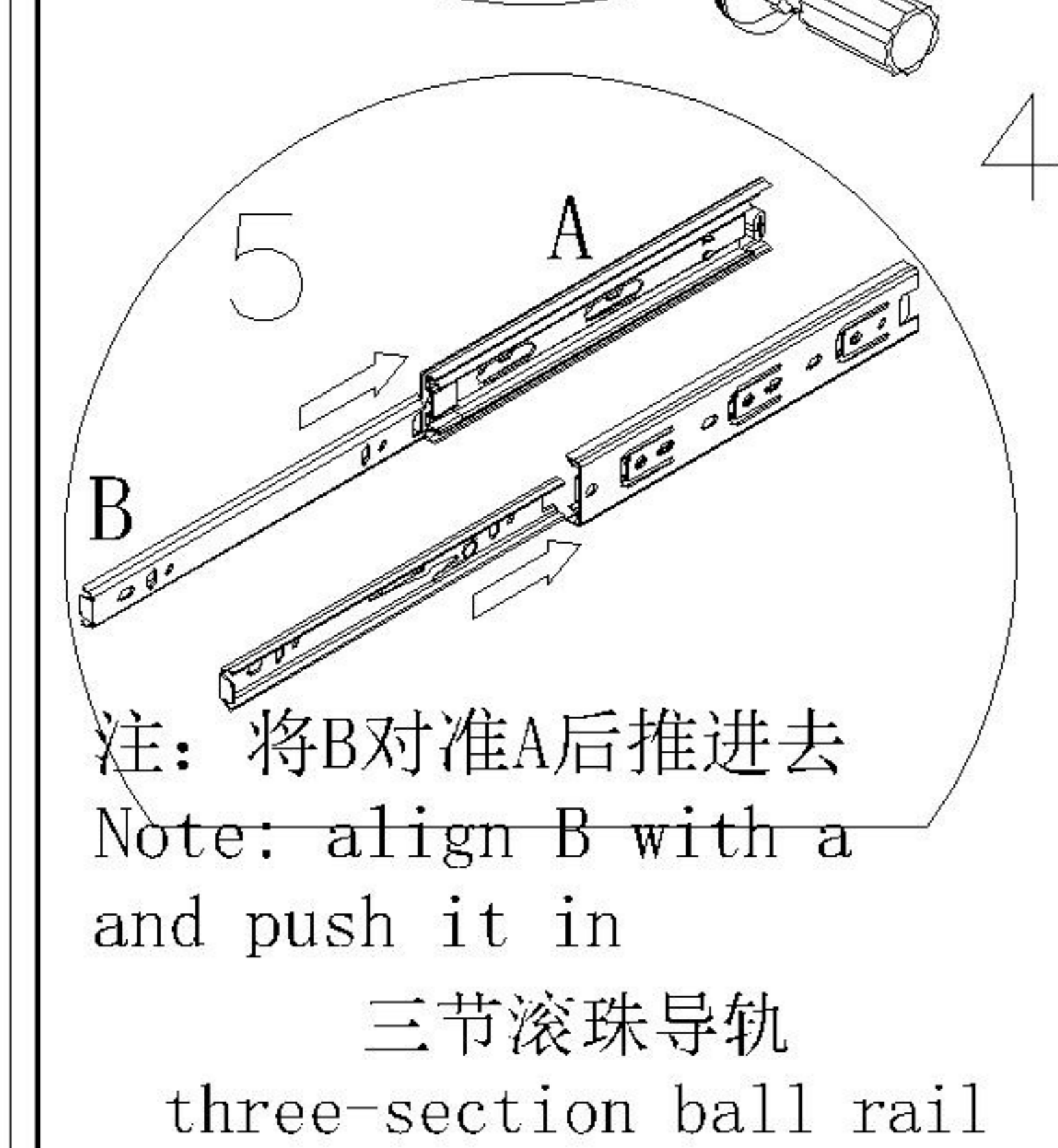
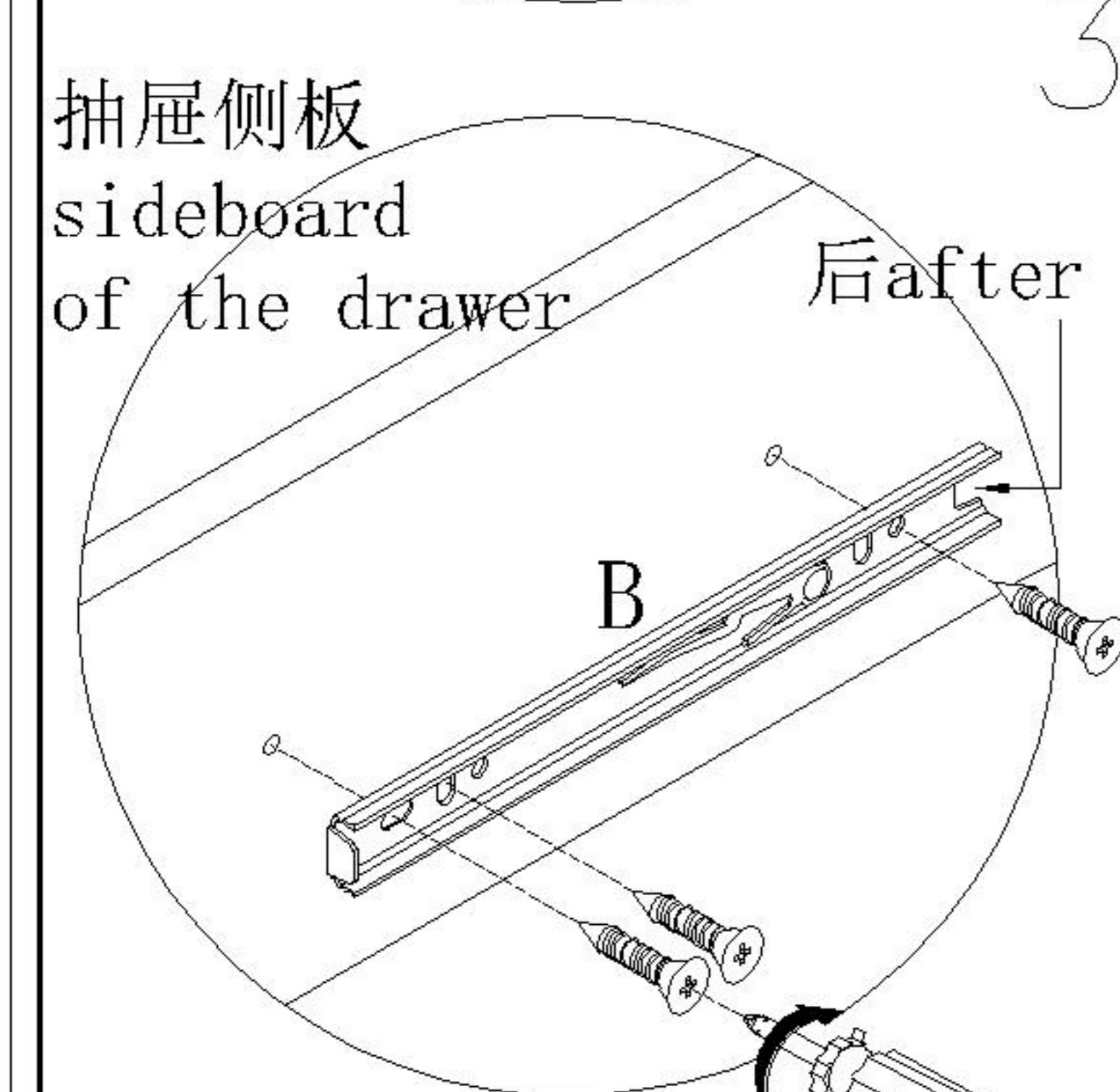
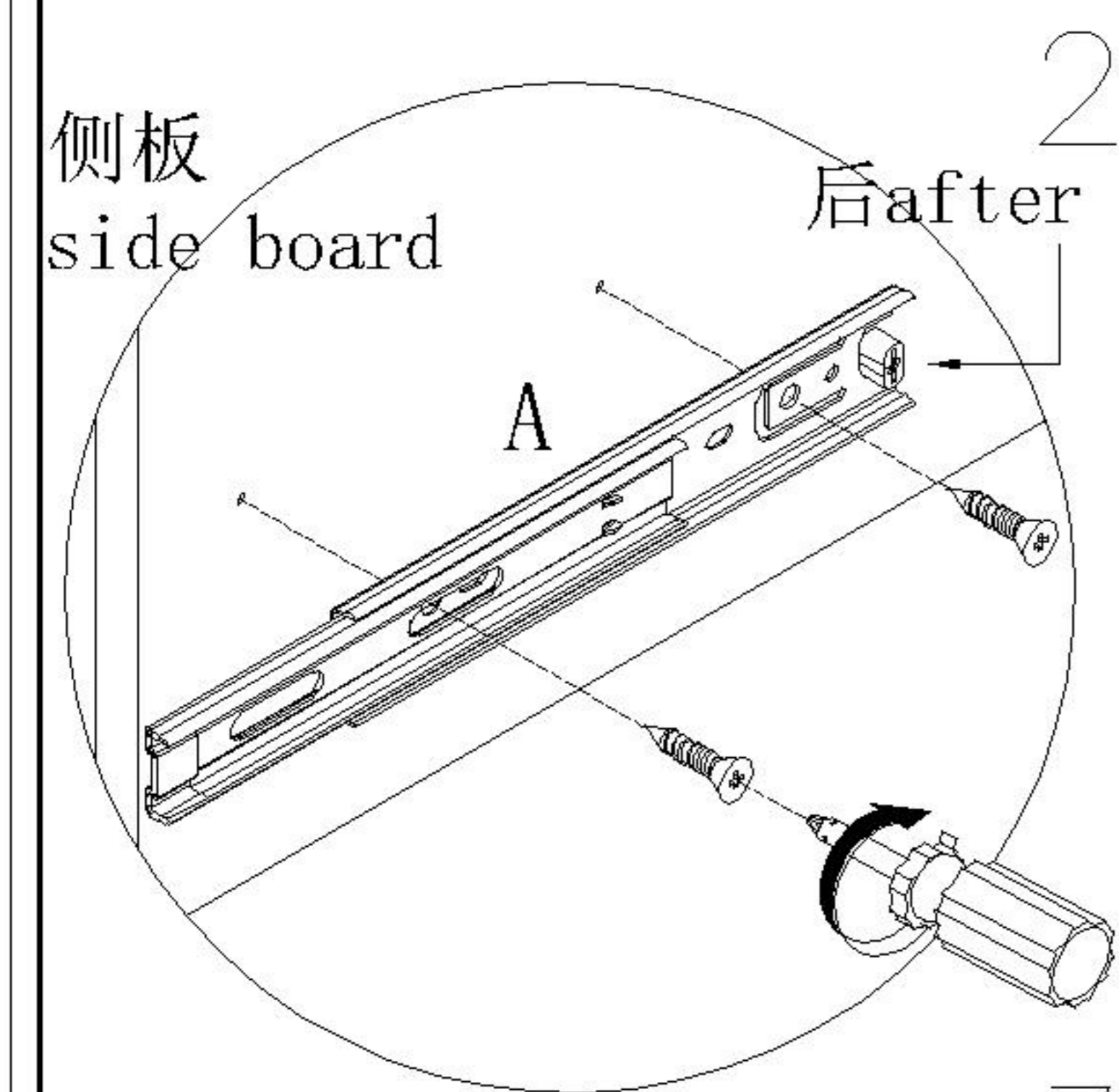
MQ2E-A (0.6m)

安装方法/ Installation method

1
阀门开关(下压为开)
Valve switch
(press down to open)



注: 先将A与B拆下来
Note: remove a and B first



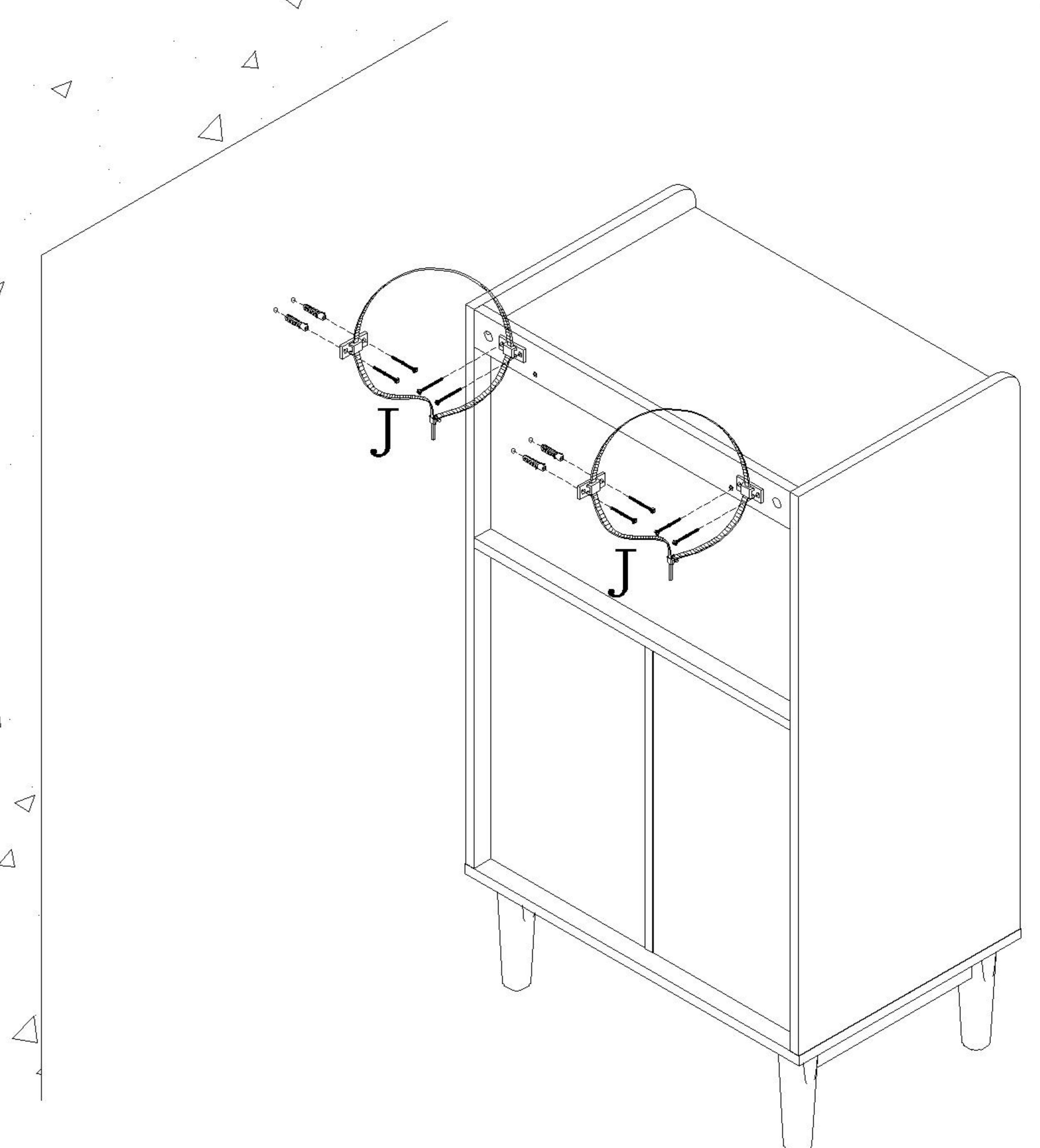
注意: 翻门上方预留缝隙是设计
用于翻门转动的空间, 小心夹
手!

Note: The reserved gap above
the door is designed to turn
the door, be careful not to
pinch your hands.

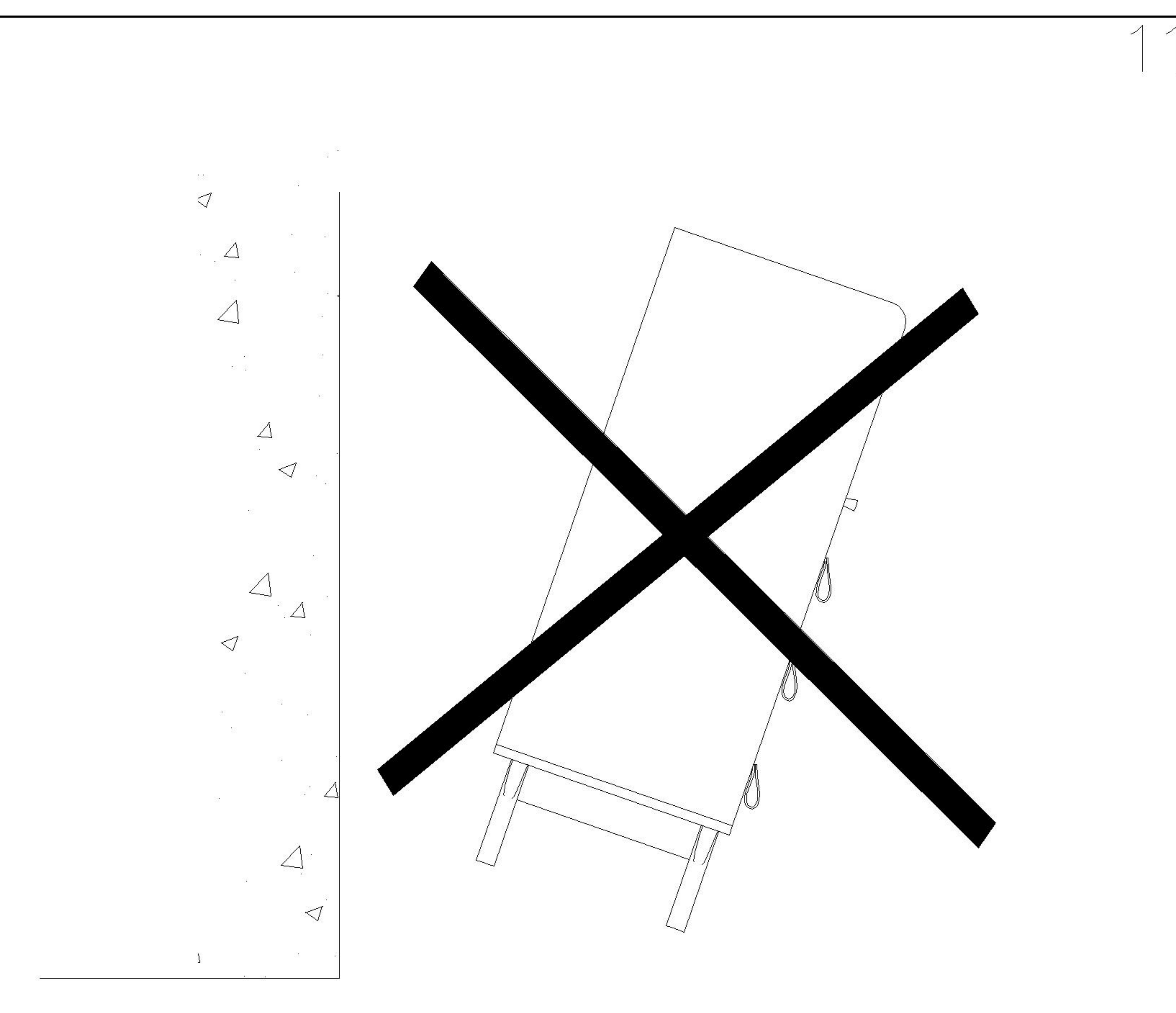
9

(J)*2

实体墙
Solid wall



10



11



12

▲ 安装完成
Installation is complete