

# LINSY 林氏家居

## 五金表/Hardware list

## 部件表/Parts List

### 安装示意图/Assembly Instruction

产品名称 Model NO.

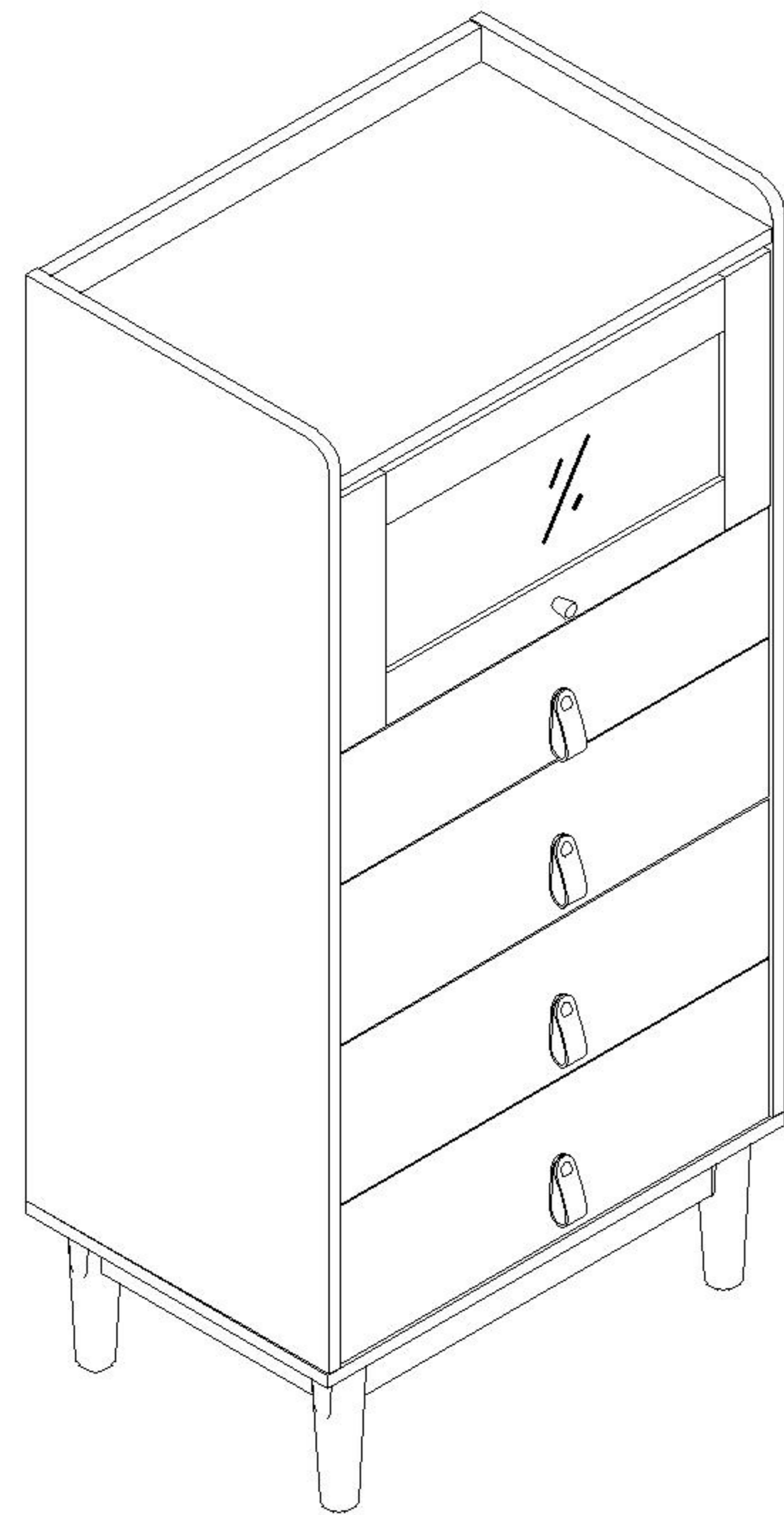
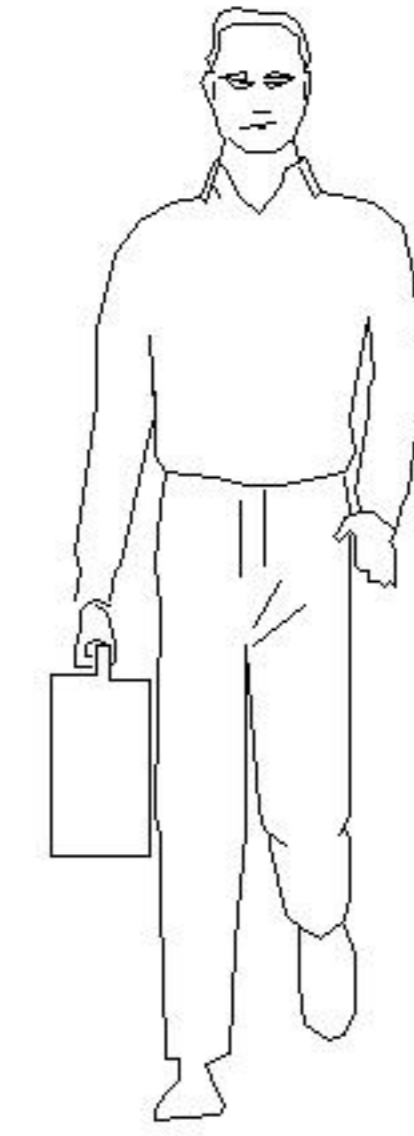
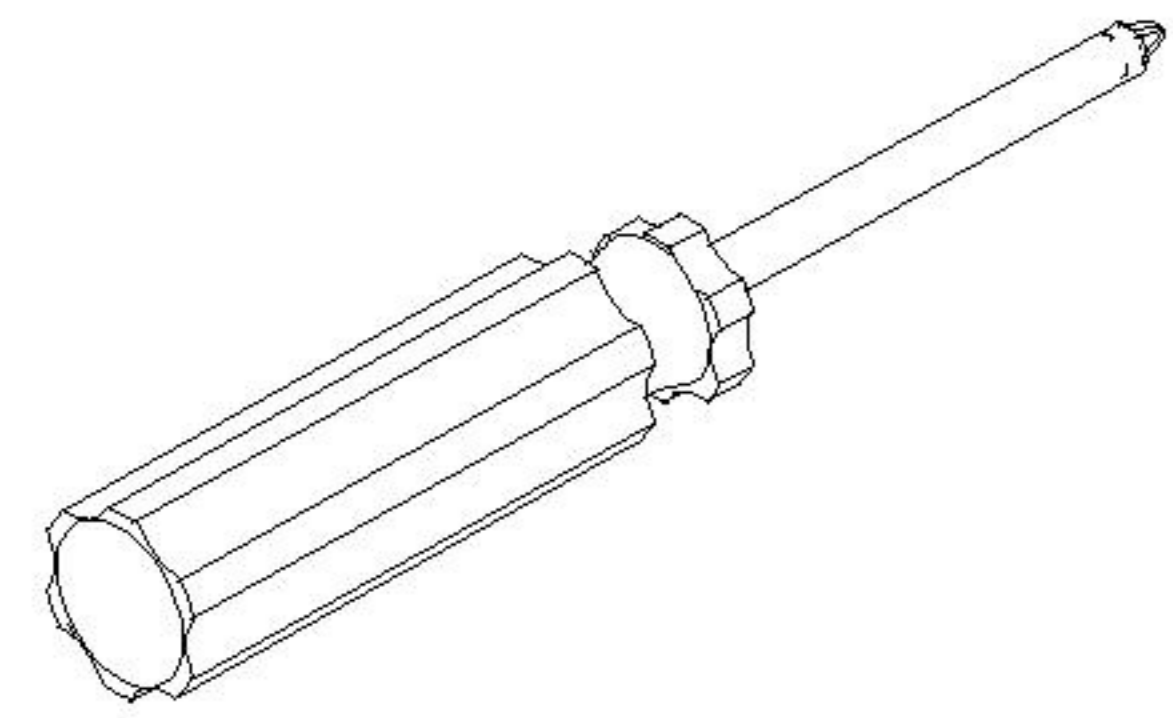
MQ3E-A(0.6m)

产品规格 Specification

600\*416\*1242 mm

安装工具 Tool

安装人数 Installer

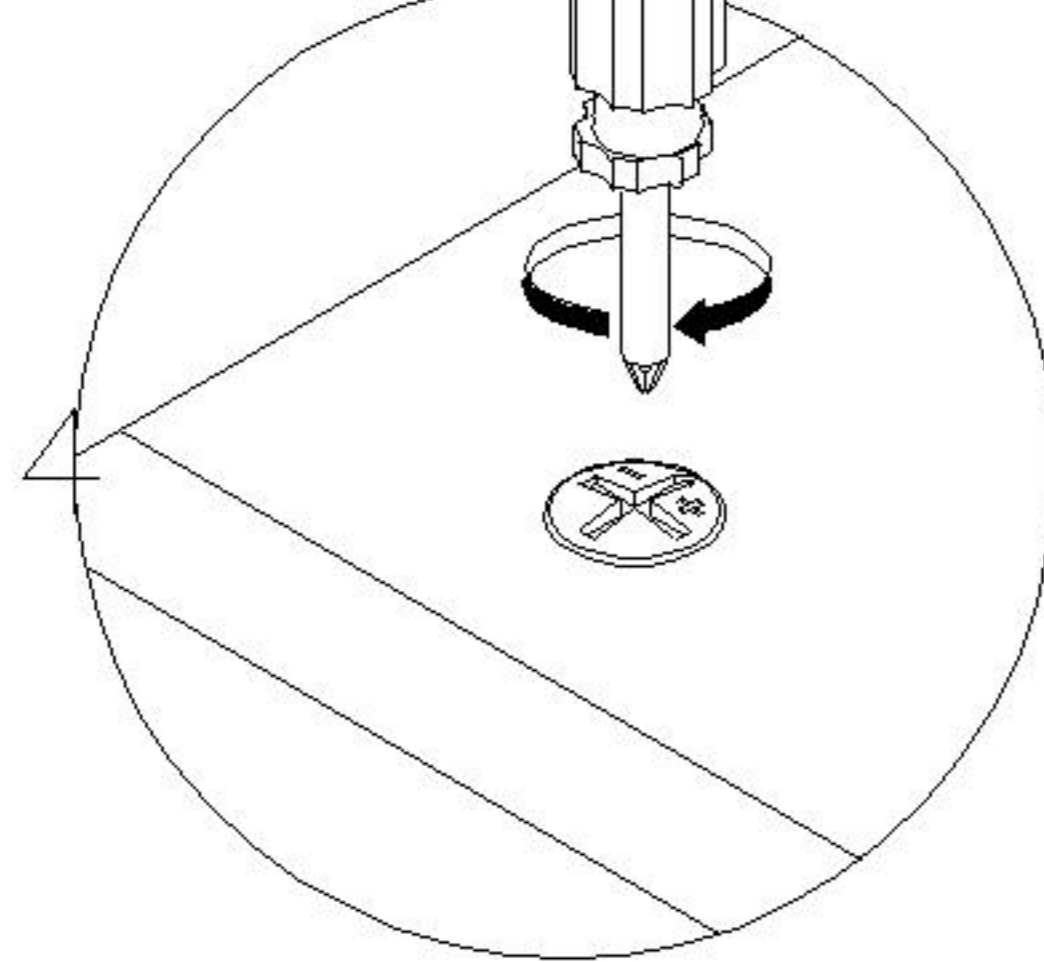
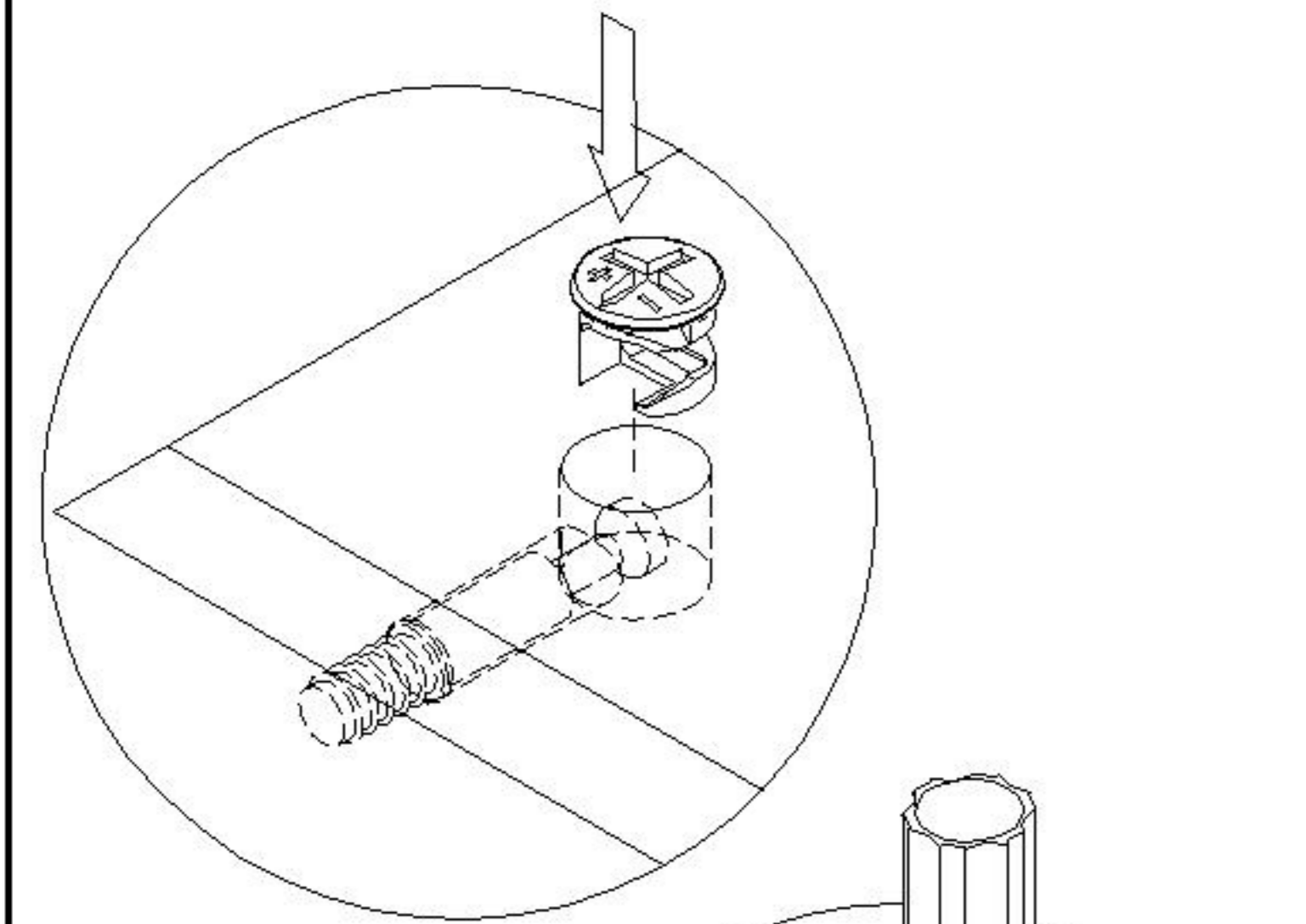
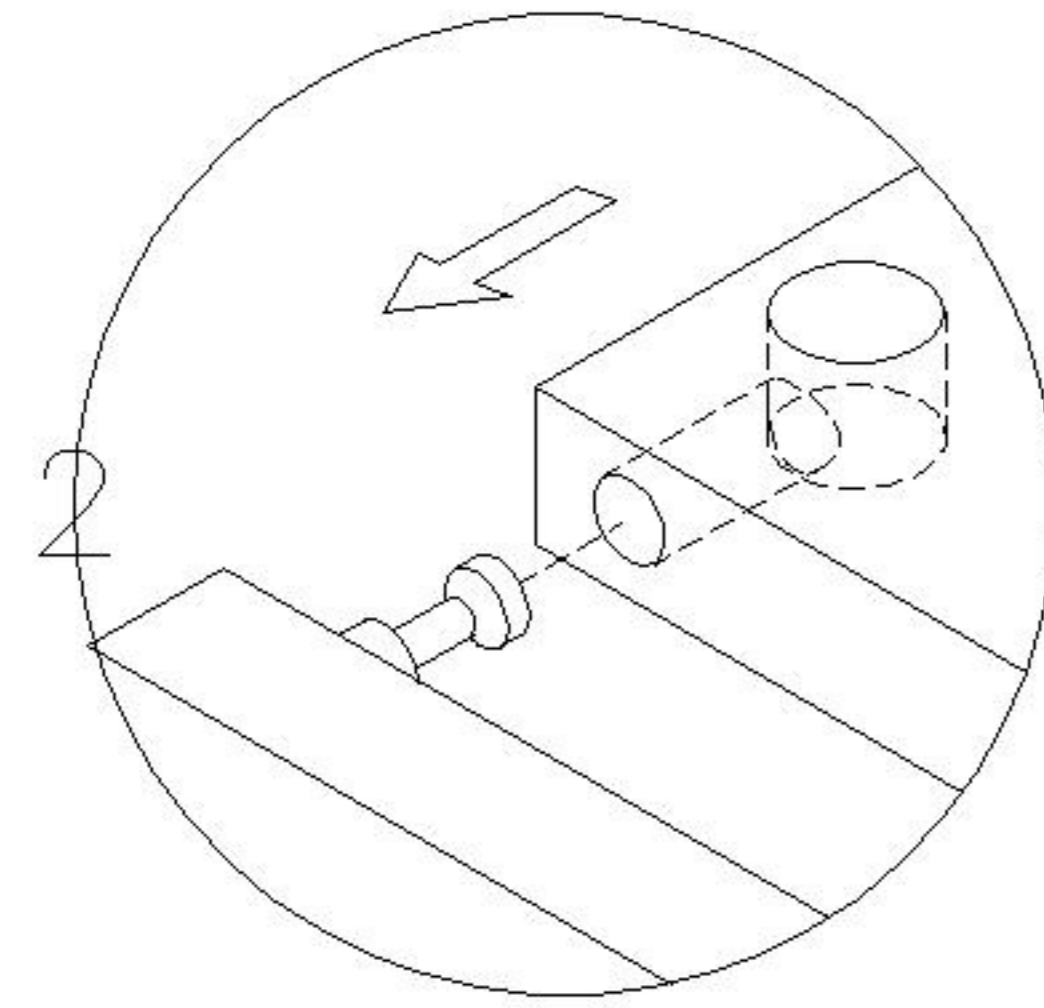
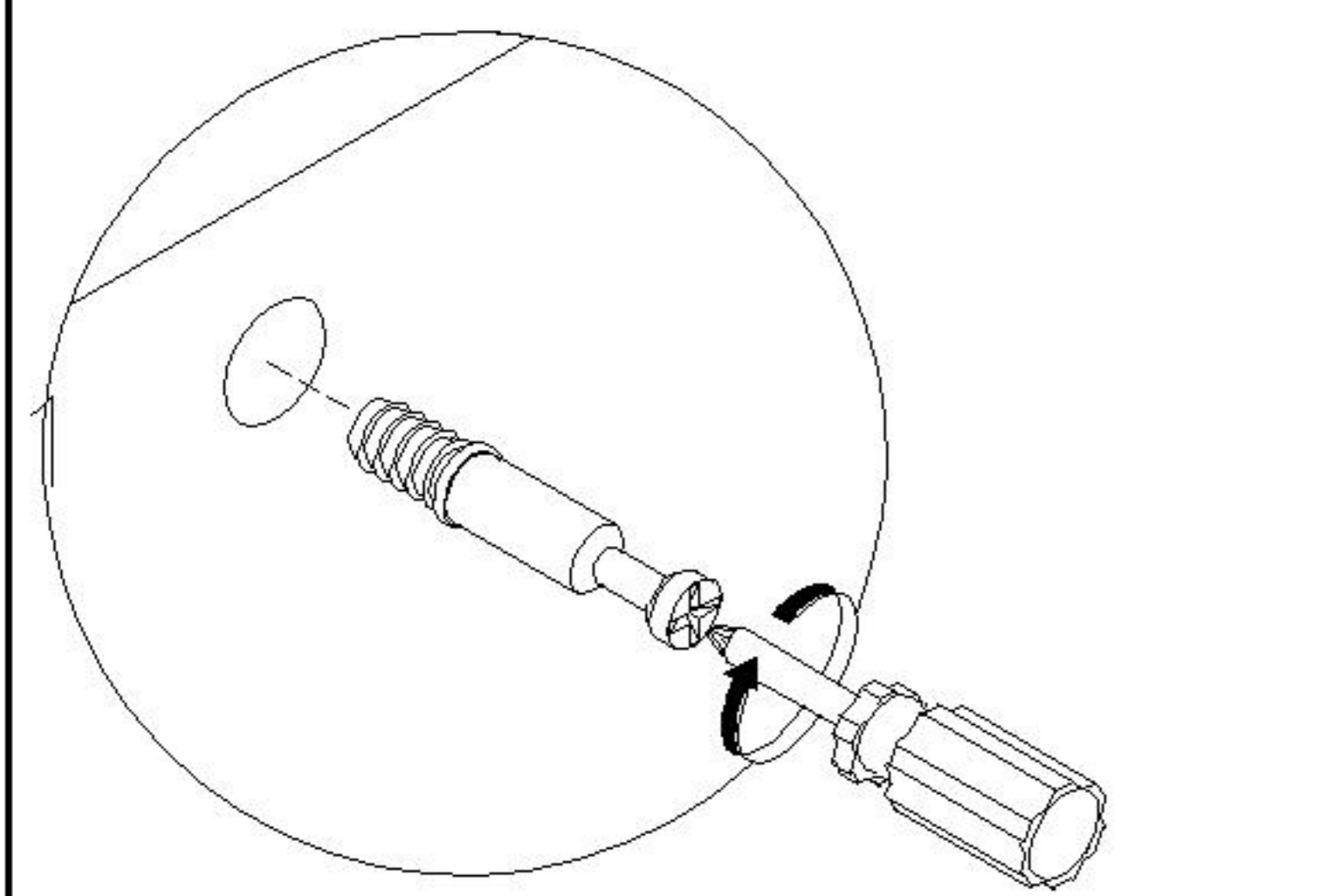


| (A)* 55  | (B)* 5                             | (C)* 25                                 | (D)* 25                             |
|--|------------------------------------|---|-------------------------------------|
|  |                                    |   |                                     |
| 自攻螺丝M3.5x12mm<br>Self-tapping screw                      | 拉手螺丝-M4x18mm<br>pulling screw      | 大三合一锁饼(15mm)<br>Three-in-one large lock | 二合一螺杆(35mm)<br>2-in-1-screw         |
| (E)* 17  | (F)* 17                            | (G)* 17                                 | (H)* 17                             |
|  |                                    |   |                                     |
| 自攻螺丝M4x40mm<br>Self-tapping screw                        | 塑料螺母<br>Plastic Nut                | 小三合一锁饼(13mm)<br>small three-in-one lock | 小二合一杆7*28<br>small two-in-one rod   |
| (I)* 2   | (J)* 2                             | (K)* 2                                  | (L)* 13                             |
|  |                                    |   |                                     |
| 透明防撞垫片Ø10x1.5<br>Transparent anti-collision gasket       | 家具防倒器-白色<br>Anti-fall device white | 自攻螺丝M4x25mm<br>Self-tapping screw       | 木榫Ø8x30mm<br>wood tenon             |
| (M)* 4   | (N)* 4                             | (O)* 13                                 | (P)* 13                             |
|  |                                    |   |                                     |
| 斜边十字螺杆-M8x50<br>bevel cross screw                        | 透明防滑PVC胶塞<br>Rubber stopper        | 背板扣<br>Back Plate Buckle-White          | 自攻螺丝M3.5x16mm<br>Self-tapping screw |
| (Q)* 1   | (R)* 4                             | (S)* 4                                  | (T)* 4                              |
|  |                                    |   |                                     |
| 圆拉手<br>Round handle                                      | 皮拉手<br>Leather handle              | 三节滚珠导轨-10"<br>three-section ball rail   | 锤母-M8 Ø8x15mm<br>Hammer nut         |
| (U)* 1   | (V)* 6                             | (W)* 1                                  |                                     |
|  |                                    |   |                                     |
| 隐藏两节导轨<br>two-section hide rail                          | 自攻螺丝M4x20mm<br>Self-tapping screw  | 夹板条L=680mm<br>White splint strip        |                                     |
|  | (U1)* 2                            | (U2)* 2                                 | (U3)* 2                             |
| 五金U包含以下五金<br>Hardware u includes the following hardware: |                                    |   |                                     |
|  | 导轨<br>two-section hide rail        | 挂钩<br>two-section hide rail             | 档条<br>two-section hide rail         |

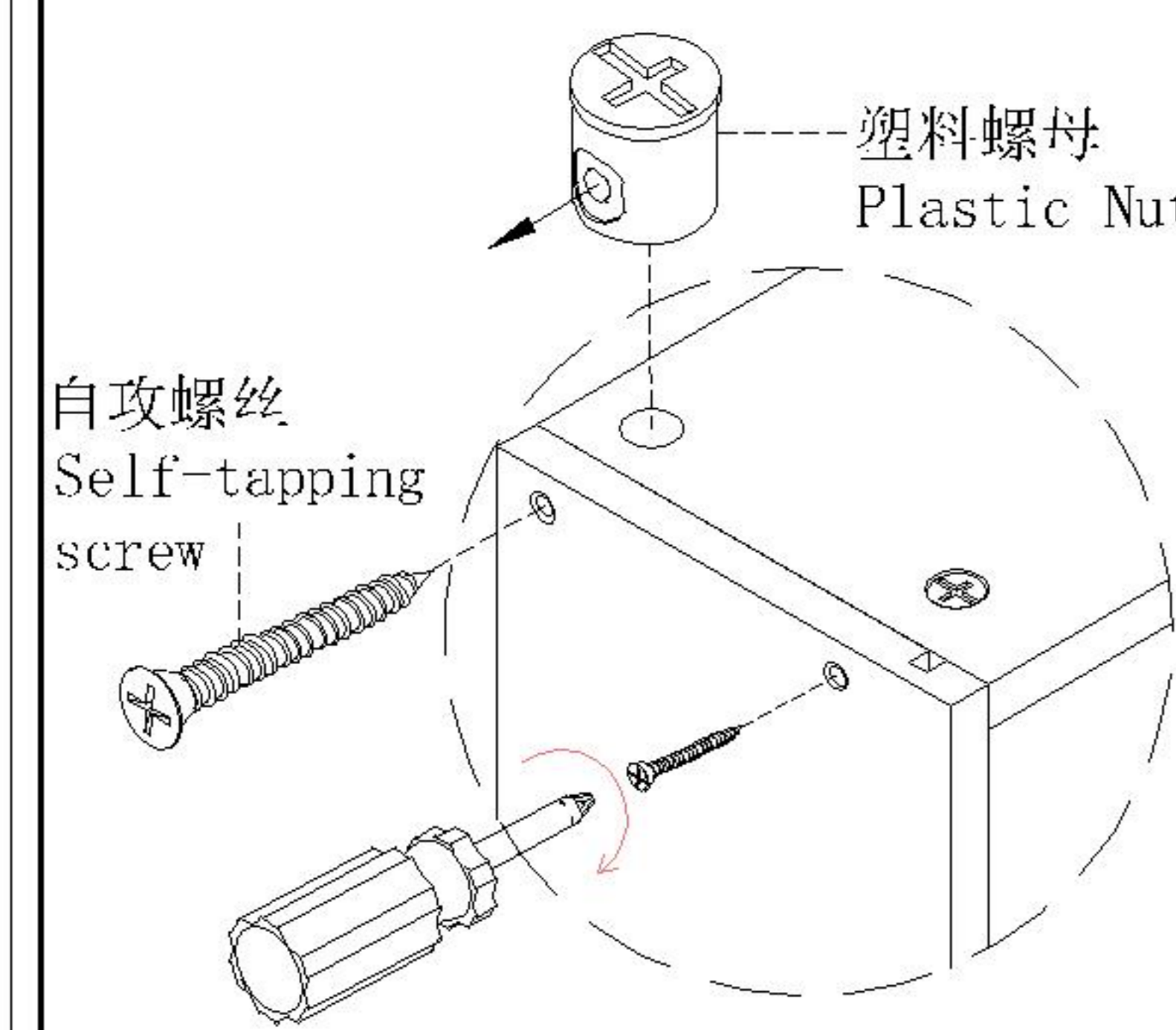
| 编号NO. | 名称Name                                | 规格 (mm)<br>Specification | 数量QTY | 材质Material                  |
|-------|---------------------------------------|--------------------------|-------|-----------------------------|
| ①     | 上拉条 Top brace                         | 568*58*15                | 1     | 三胺板Melamine                 |
| ②     | 面板 Top panel                          | 568*381*15               | 1     | 三胺板Melamine                 |
| ③     | 层板 Shelf                              | 568*381*15               | 1     | 三胺板Melamine                 |
| ④     | 底板 Bottom board                       | 600*398*15               | 1     | 三胺板Melamine                 |
| ⑤     | 左侧板 Side board(L)                     | 1052*398*15              | 1     | 三胺板Melamine                 |
| ⑥     | 右侧板 Side board(R)                     | 1052*398*15              | 1     | 三胺板Melamine                 |
| ⑦     | 中拉条 Brace                             | 568*58*15                | 1     | 三胺板Melamine                 |
| ⑧     | 背板1 Back board 1                      | 578*309*5                | 1     | 三胺板Melamine                 |
| ⑨     | 背板2 Back board 1                      | 689*288*5                | 2     | 三胺板Melamine                 |
| ⑩     | 前拉条 Front brace                       | 460*58*15                | 1     | 三胺板Melamine                 |
| ⑪     | 侧拉条 Side brace                        | 290*58*15                | 2     | 三胺板Melamine                 |
| ⑫     | 脚 Foot                                | 170*45*30                | 4     | 实木 Wood                     |
| ⑬     | 门板 Door board                         | 564*289*15               | 1     | 三胺板+亚克力<br>Melamine+Acrylic |
| ⑭     | 上抽屉面板<br>Upper drawer panel           | 564*148*15               | 1     | 三胺板Melamine                 |
| ⑮     | 上抽屉左侧板 Side plate of upper drawer (L) | 295*110*12               | 1     | 三胺板Melamine                 |
| ⑯     | 上抽屉右侧板 Side plate of upper drawer (R) | 295*110*12               | 1     | 三胺板Melamine                 |
| ⑰     | 上抽屉后板 Upper drawer rear panel         | 518*110*12               | 1     | 三胺板Melamine                 |
| ⑱     | 下抽屉面板<br>Bottom drawer's panel        | 564*180*15               | 3     | 三胺板Melamine                 |
| ⑲     | 下抽屉左侧板 Side plate of lower drawer (L) | 295*142*12               | 3     | 三胺板Melamine                 |
| ⑳     | 下抽屉右侧板 Side plate of lower drawer (R) | 295*142*12               | 3     | 三胺板Melamine                 |
| ㉑     | 下抽屉后板<br>Down drawer's back board     | 518*142*12               | 3     | 三胺板Melamine                 |
| ㉒     | 抽屉底板<br>Drawer's Bottom board         | 528*291*5                | 4     | 三胺板Melamine                 |

MQ3E-A (0.6m)

安装方法/  
Installation method

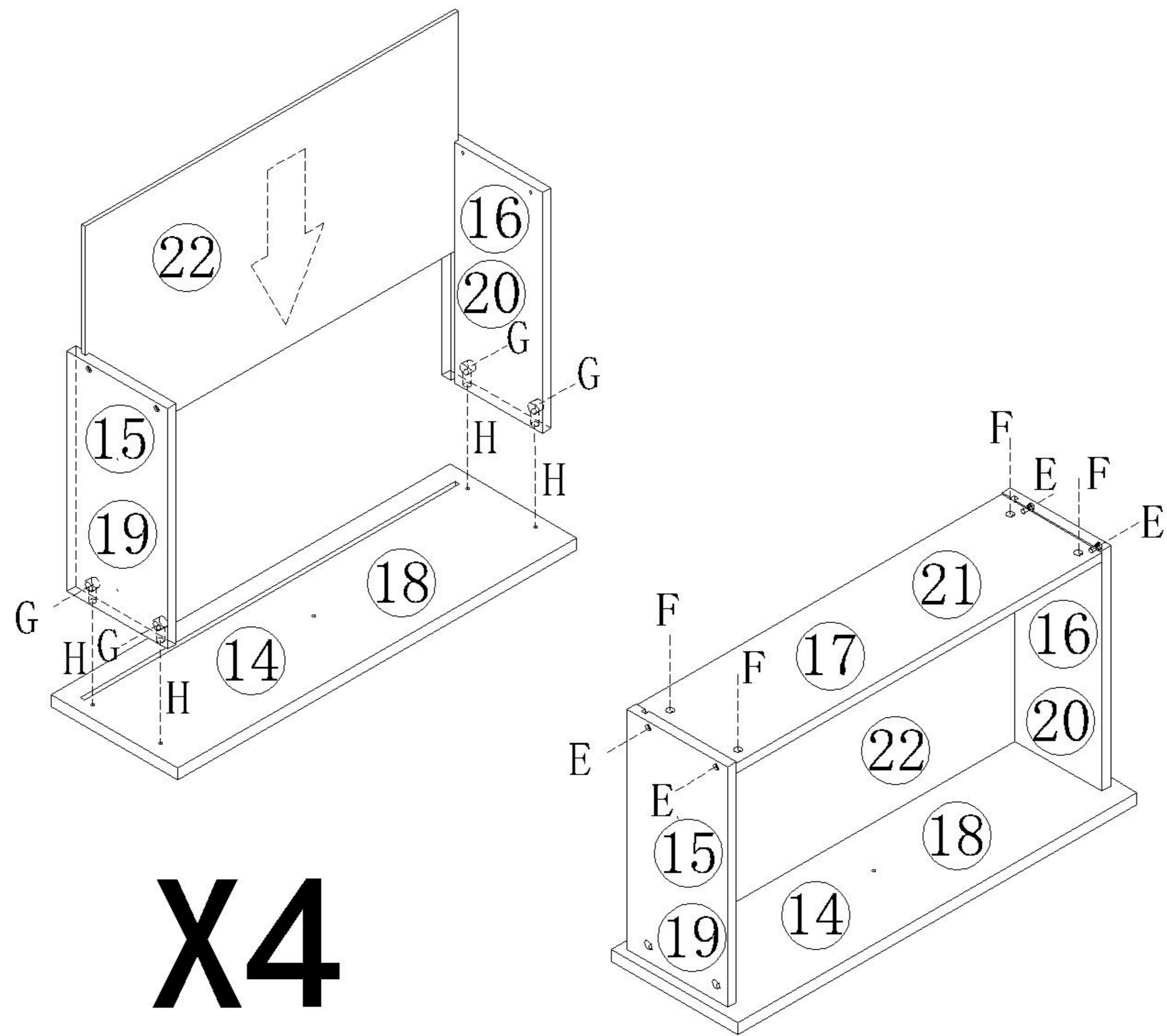


小二合一  
small two-in-one

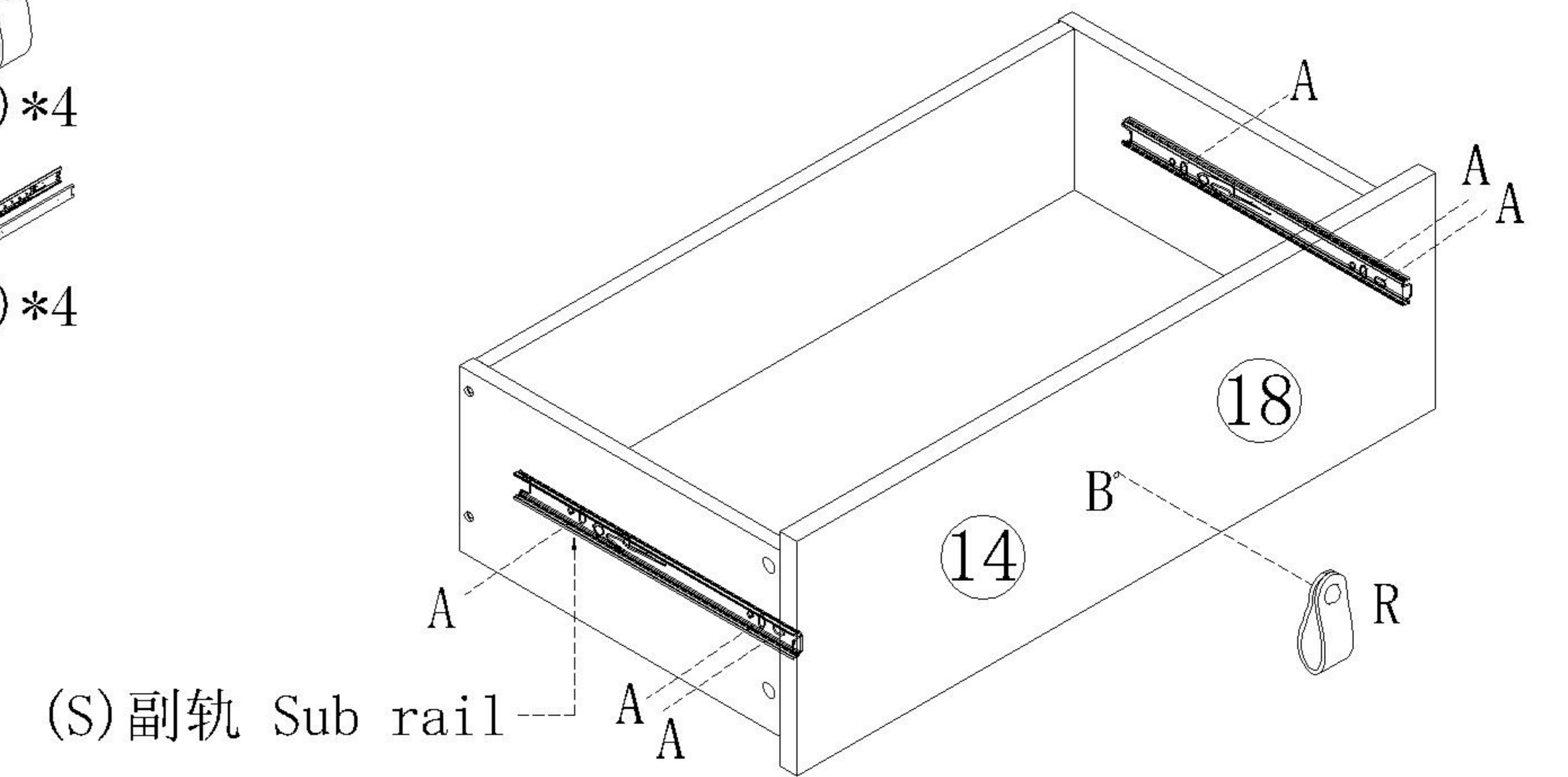


塑料螺母  
Plastic Nut

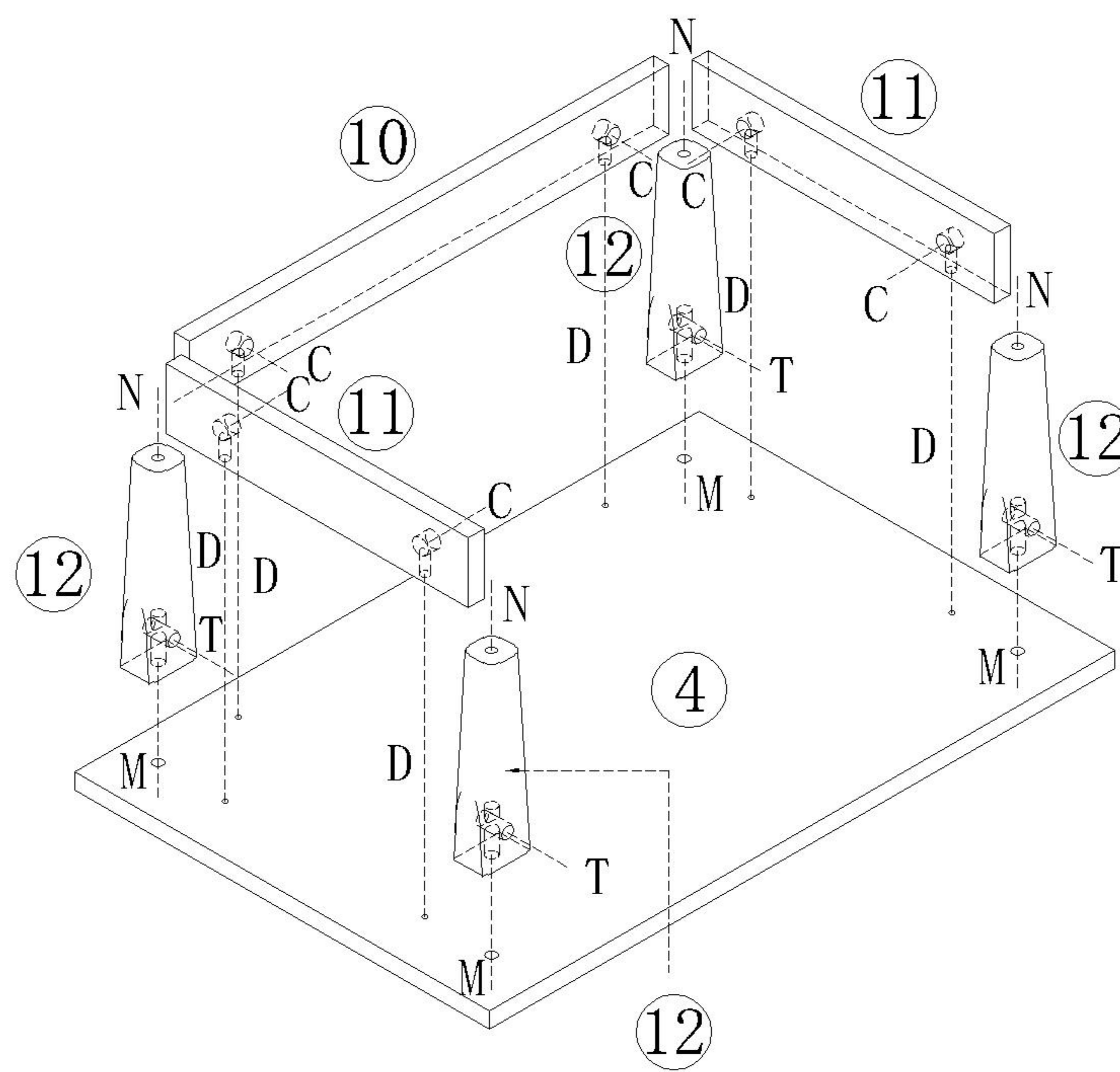
- (E)\*16
- (F)\*16
- (G)\*16
- (H)\*16



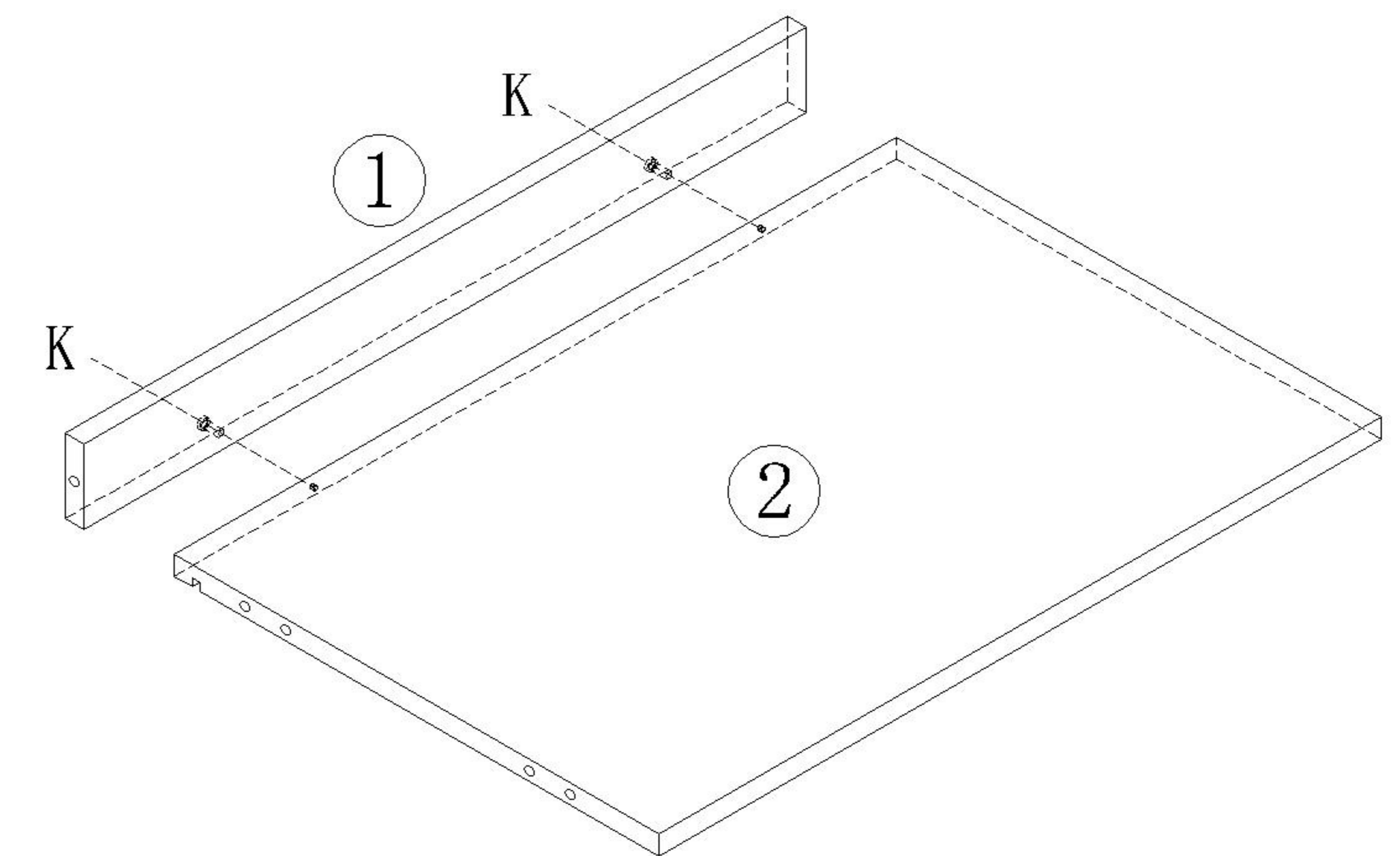
- (A)\*24
- (B)\*4
- (R)\*4
- (S)\*4



- (C)\*6
- (D)\*6
- (M)\*4
- (N)\*4
- (T)\*4

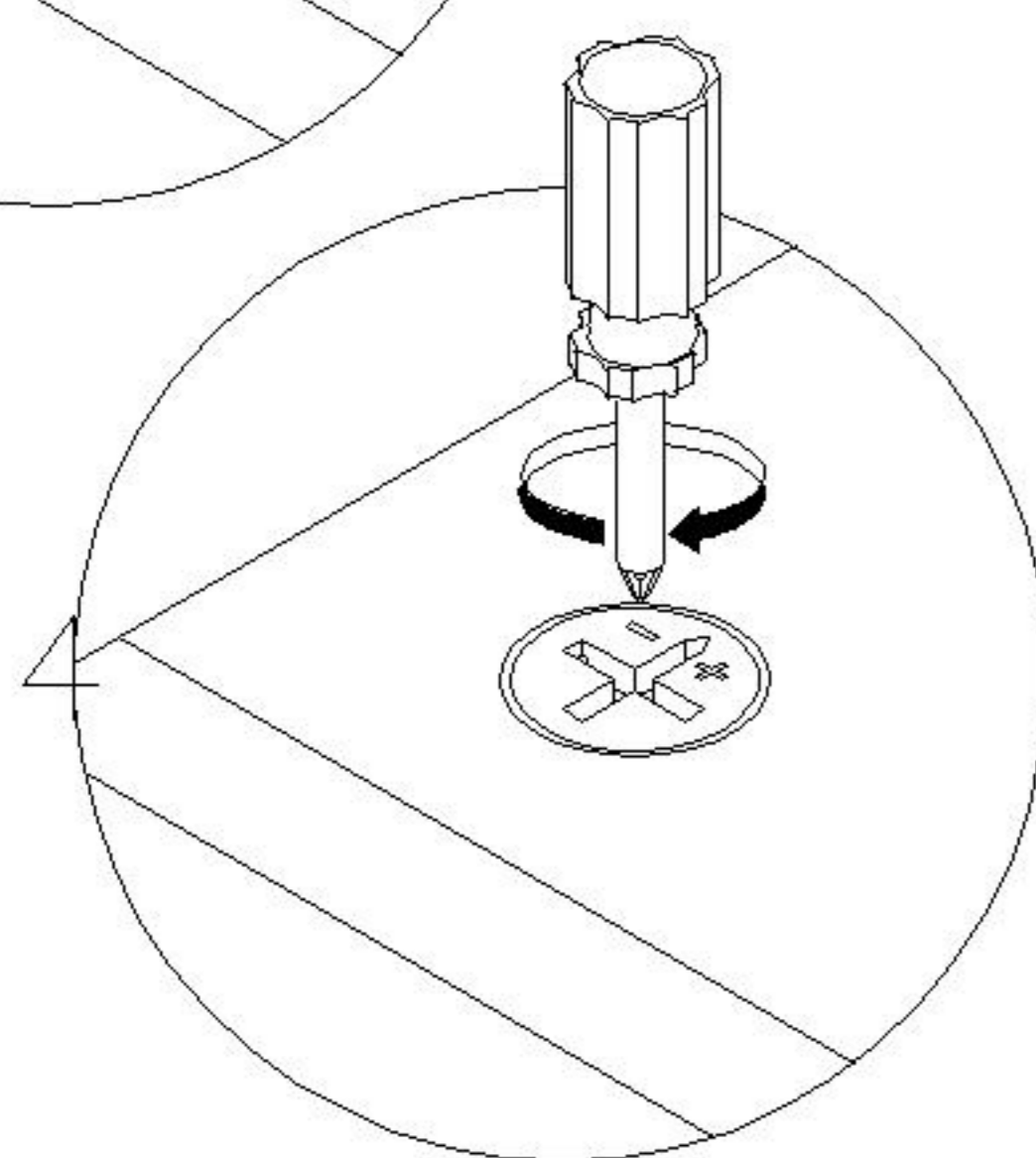
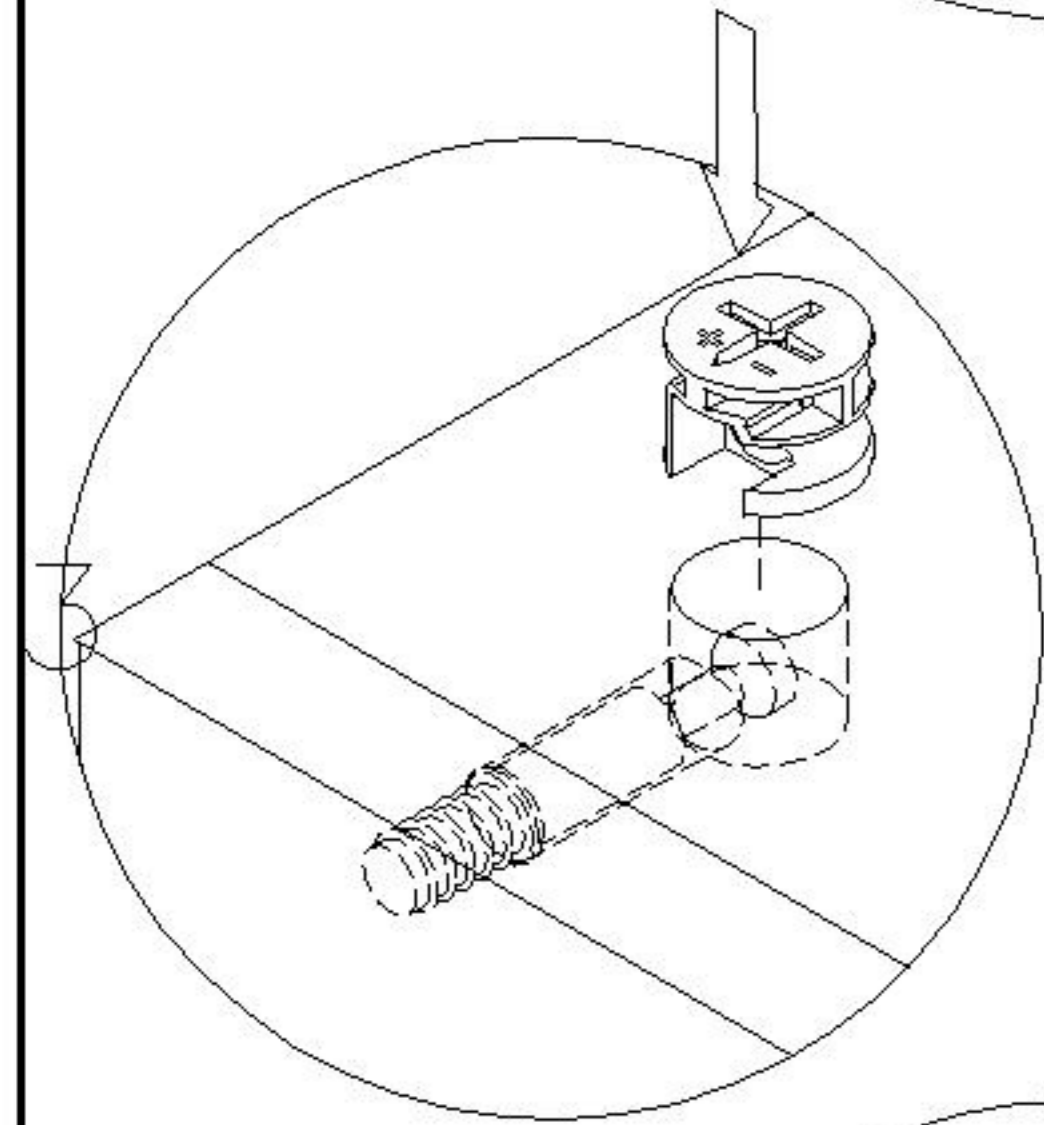
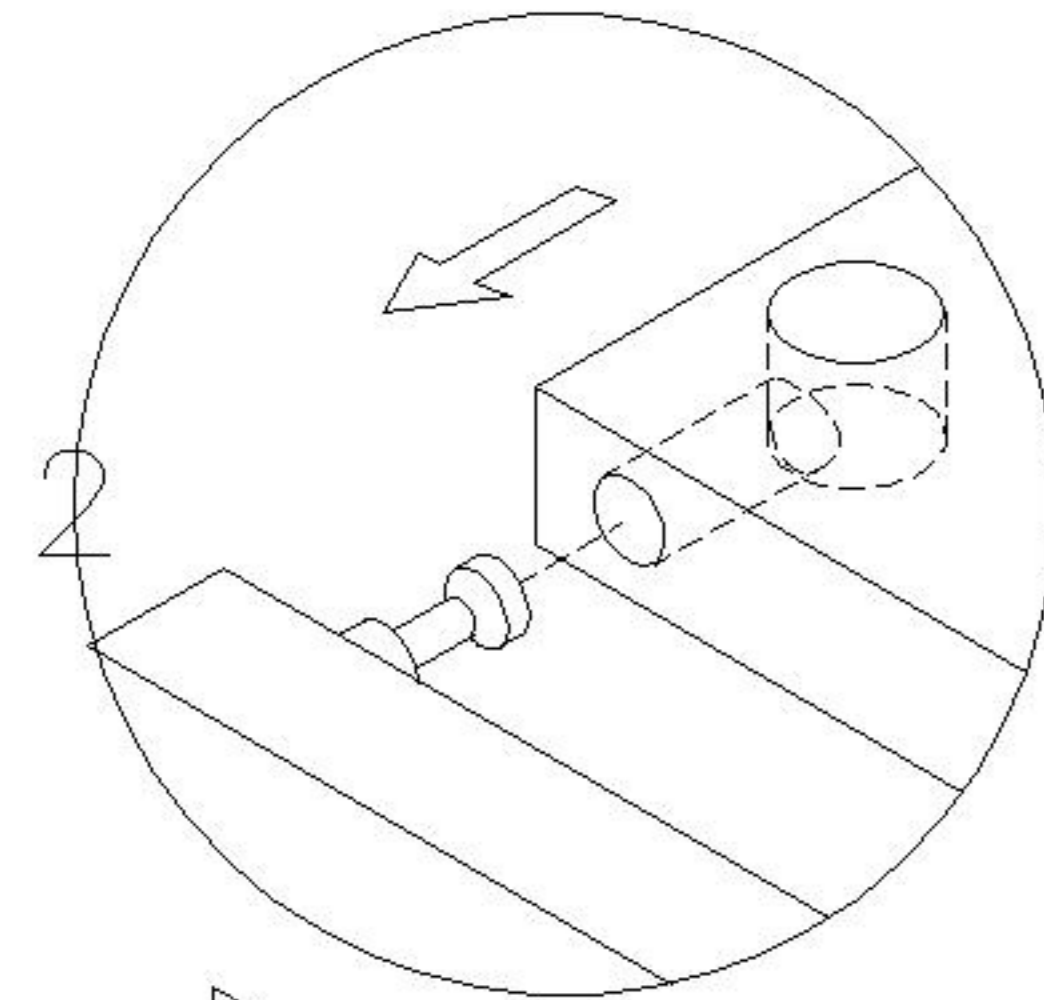
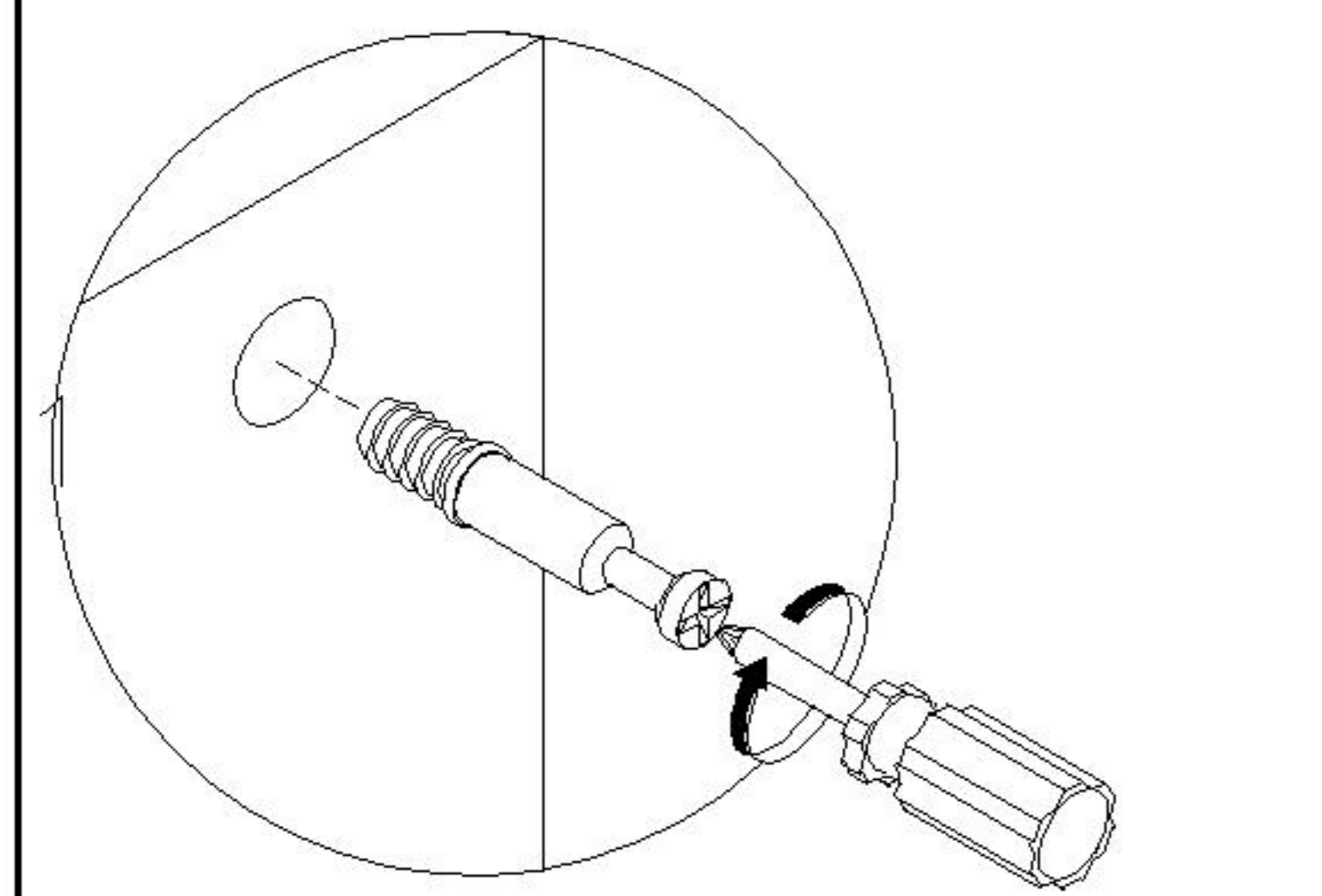


- (K)\*2

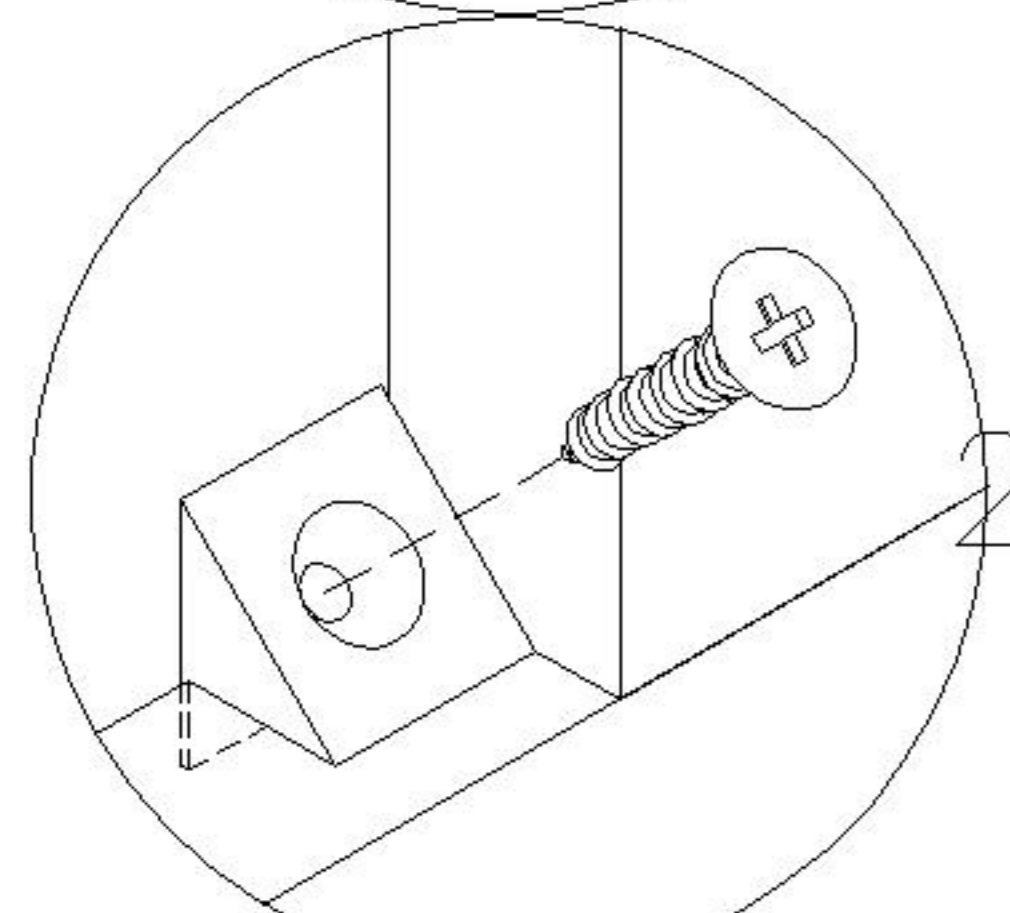
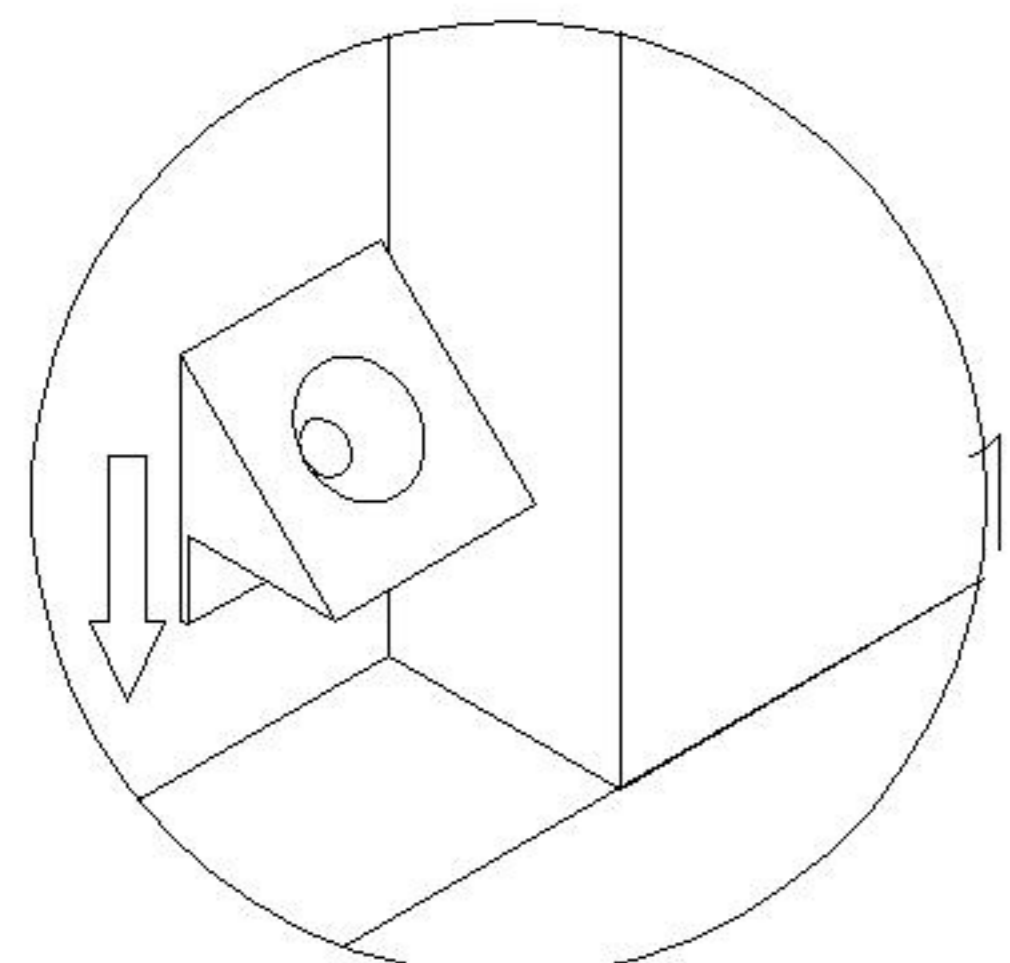


MQ3E-A (0.6m)

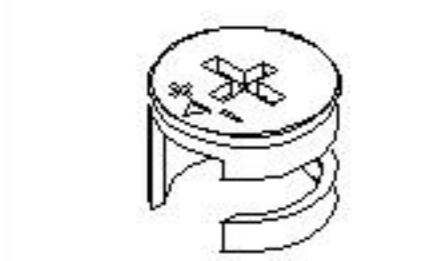
安装方法/  
Installation method



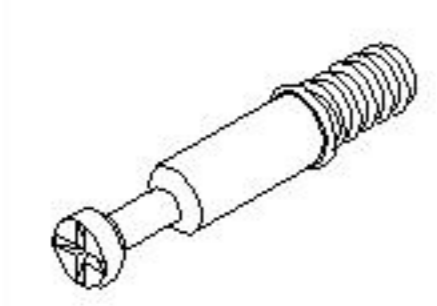
大二合一  
two-in-one



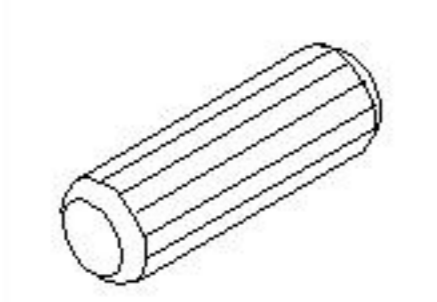
背板扣  
Back Plate Buckle-White



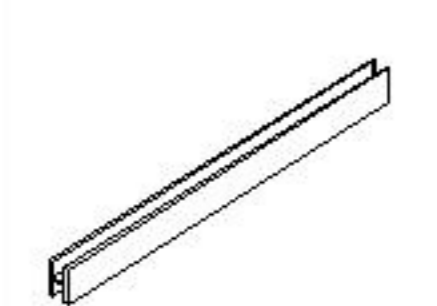
(C)\*14



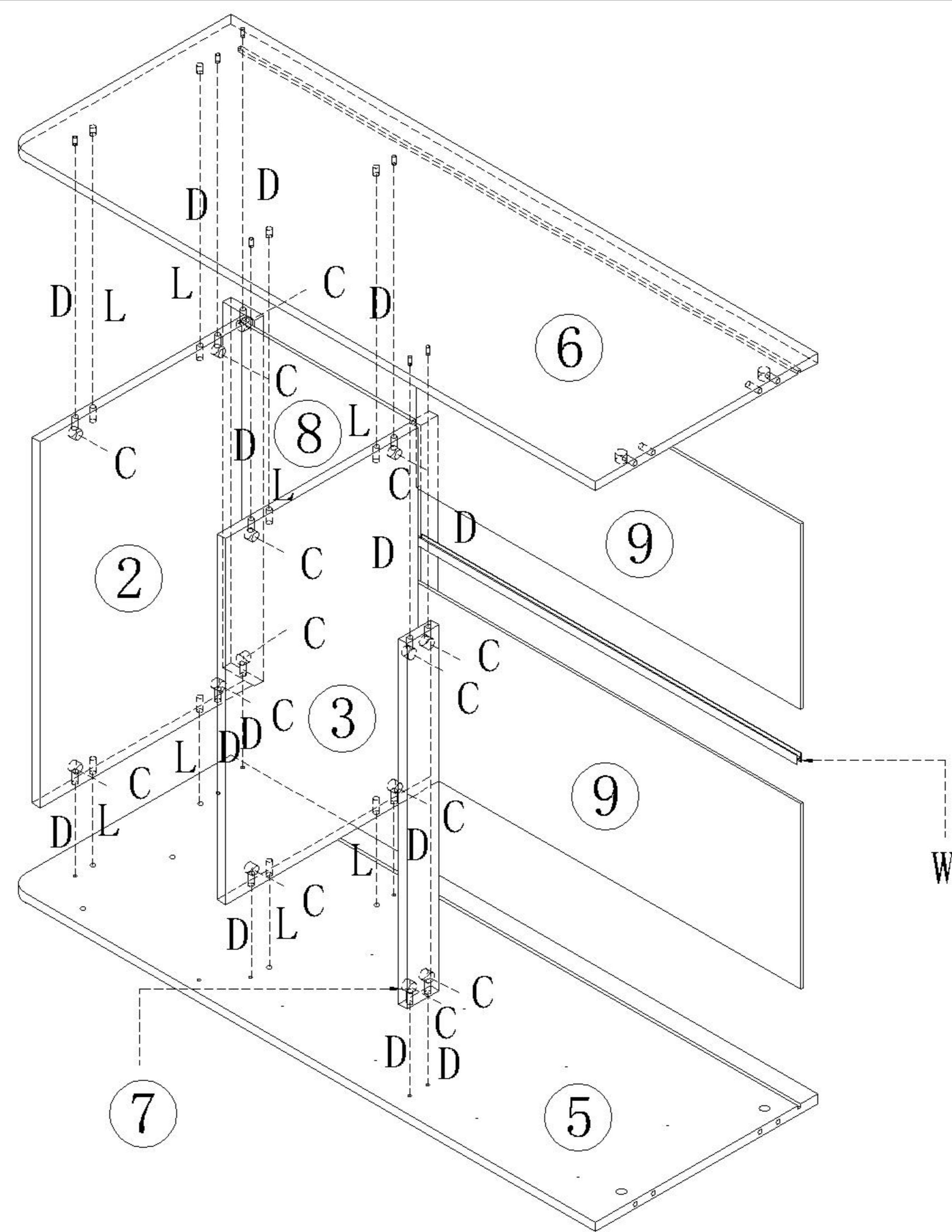
(D)\*14



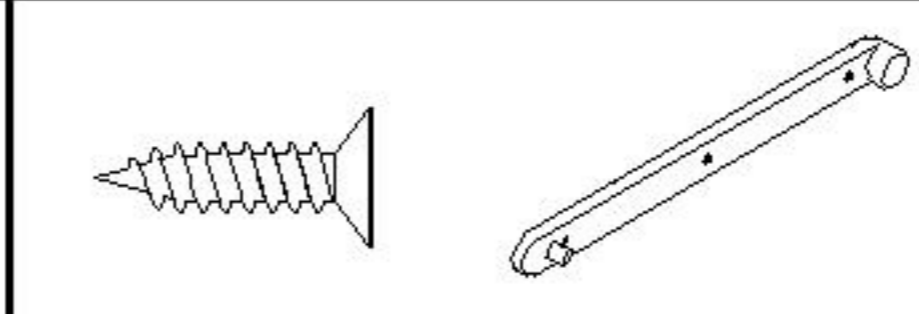
(L)\*8



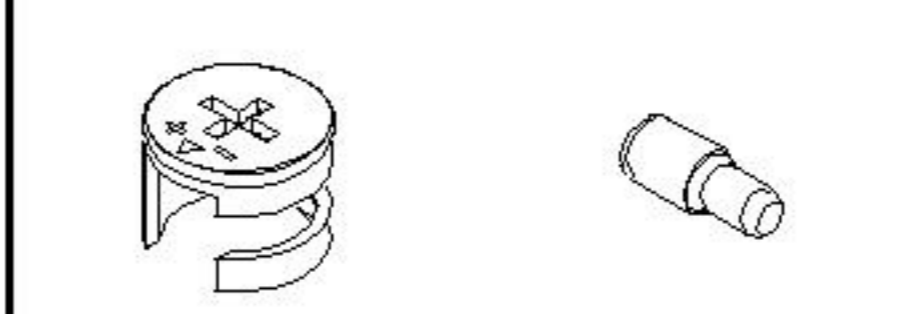
(W)\*1



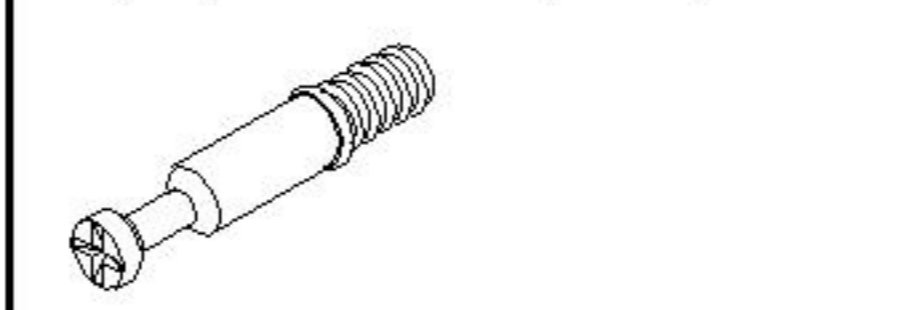
5



(A)\*24 (U1)\*2



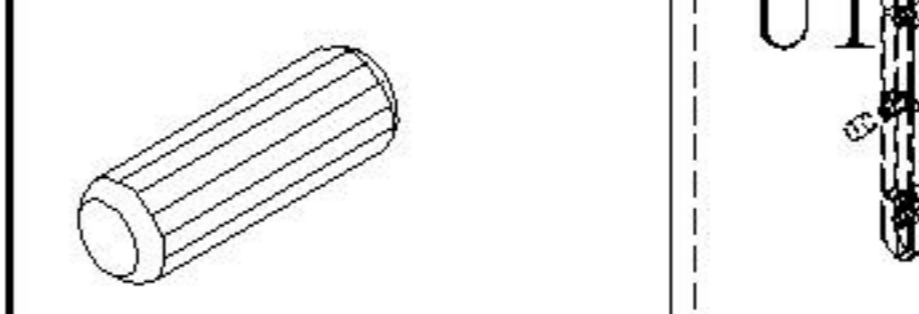
(C)\*4 (U3)\*2



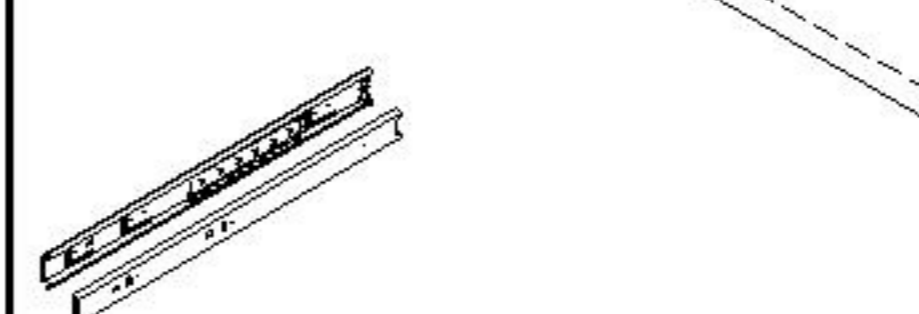
(D)\*4



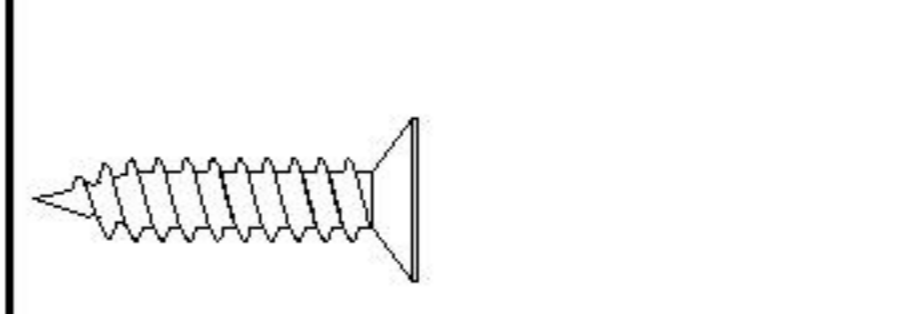
(I)\*2



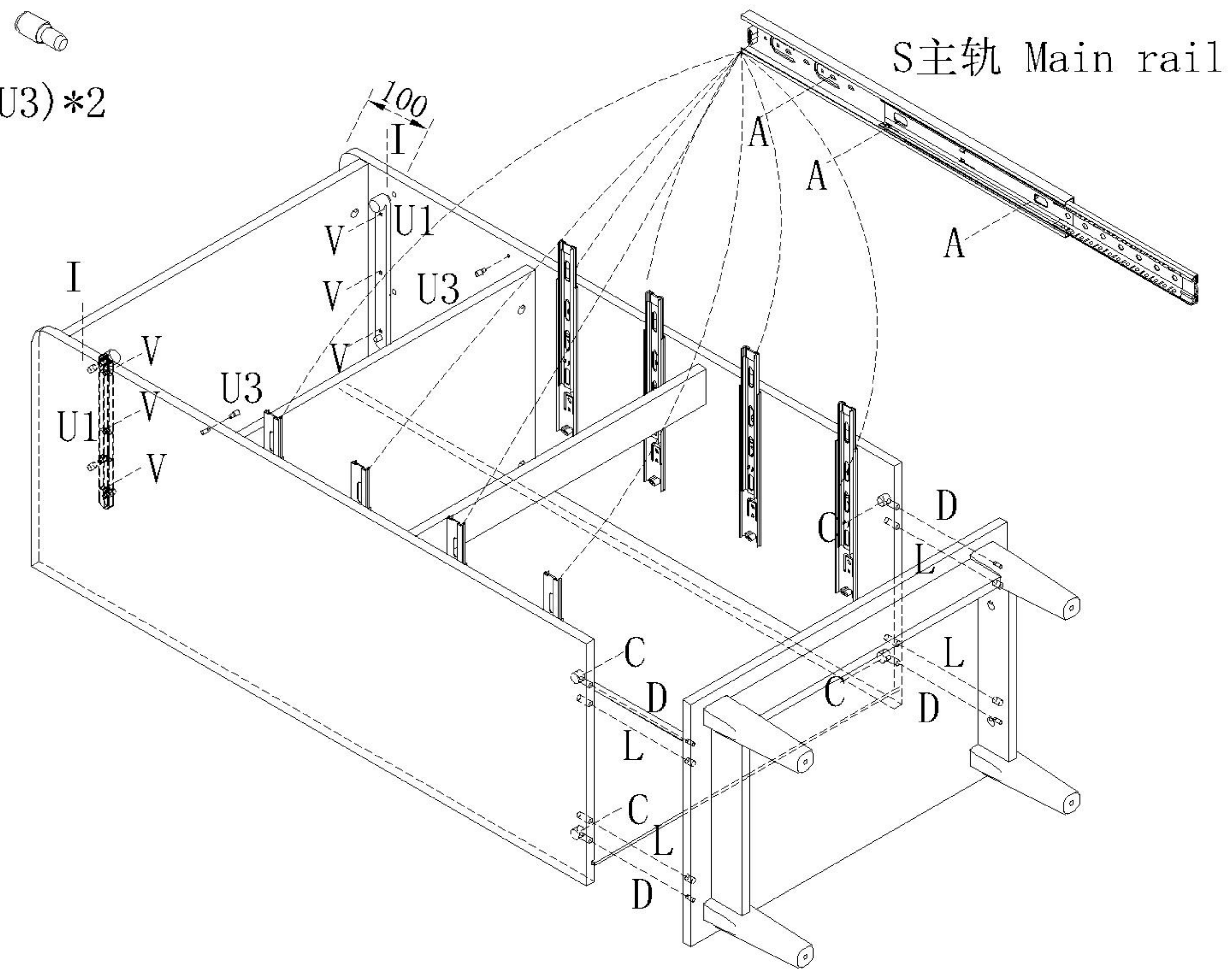
(L)\*4



(S)\*4

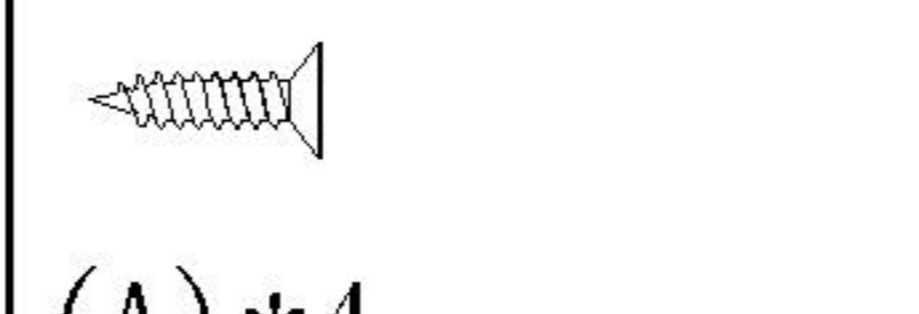


(V)\*6



6

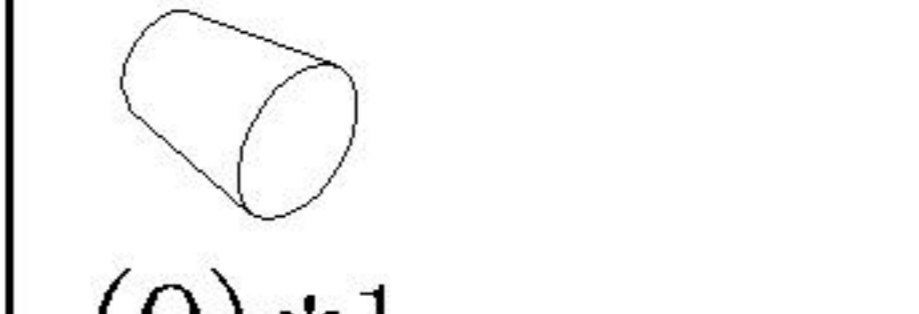
7



(A)\*4



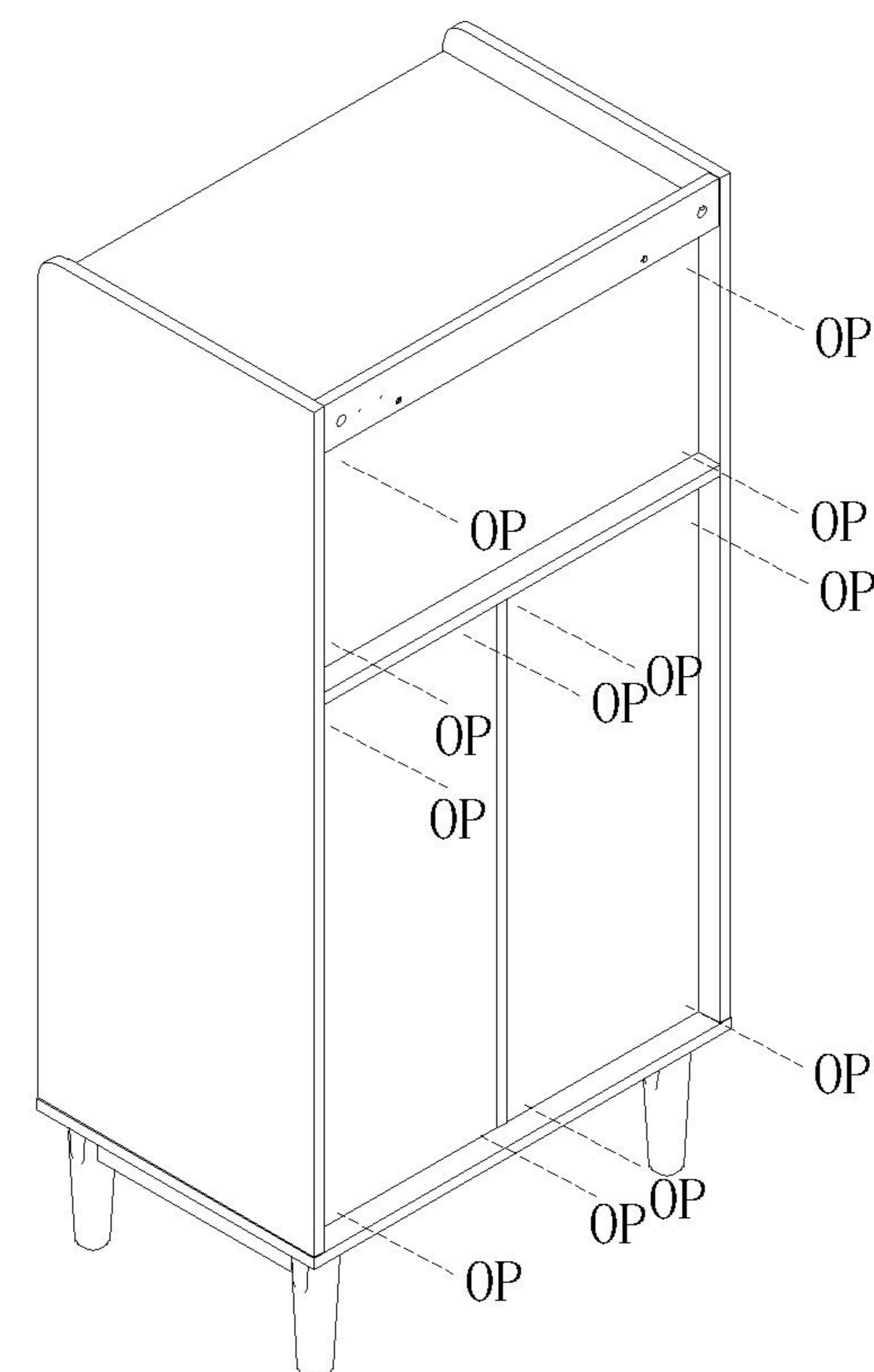
(B)\*1



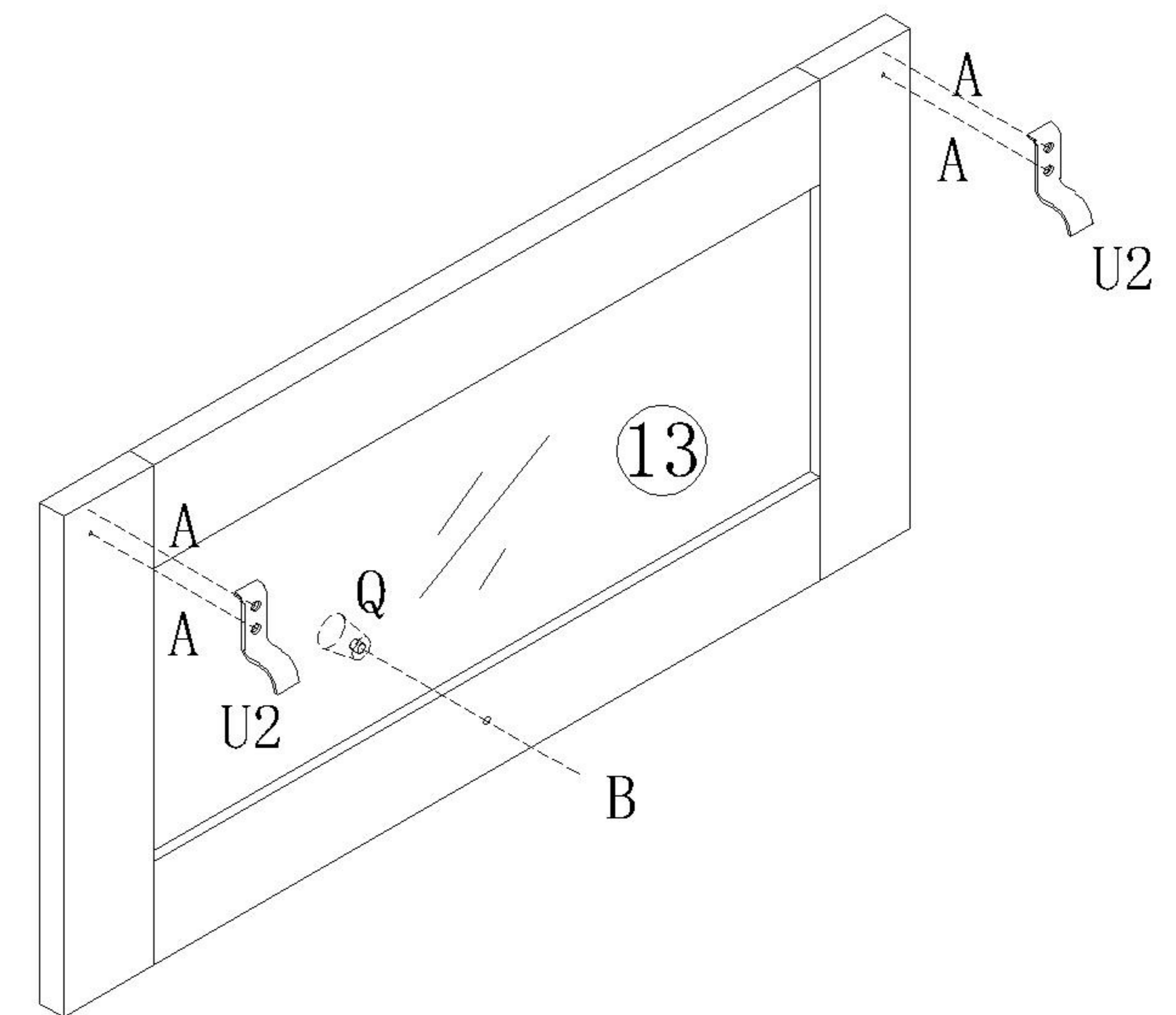
(Q)\*1



(U2)\*2



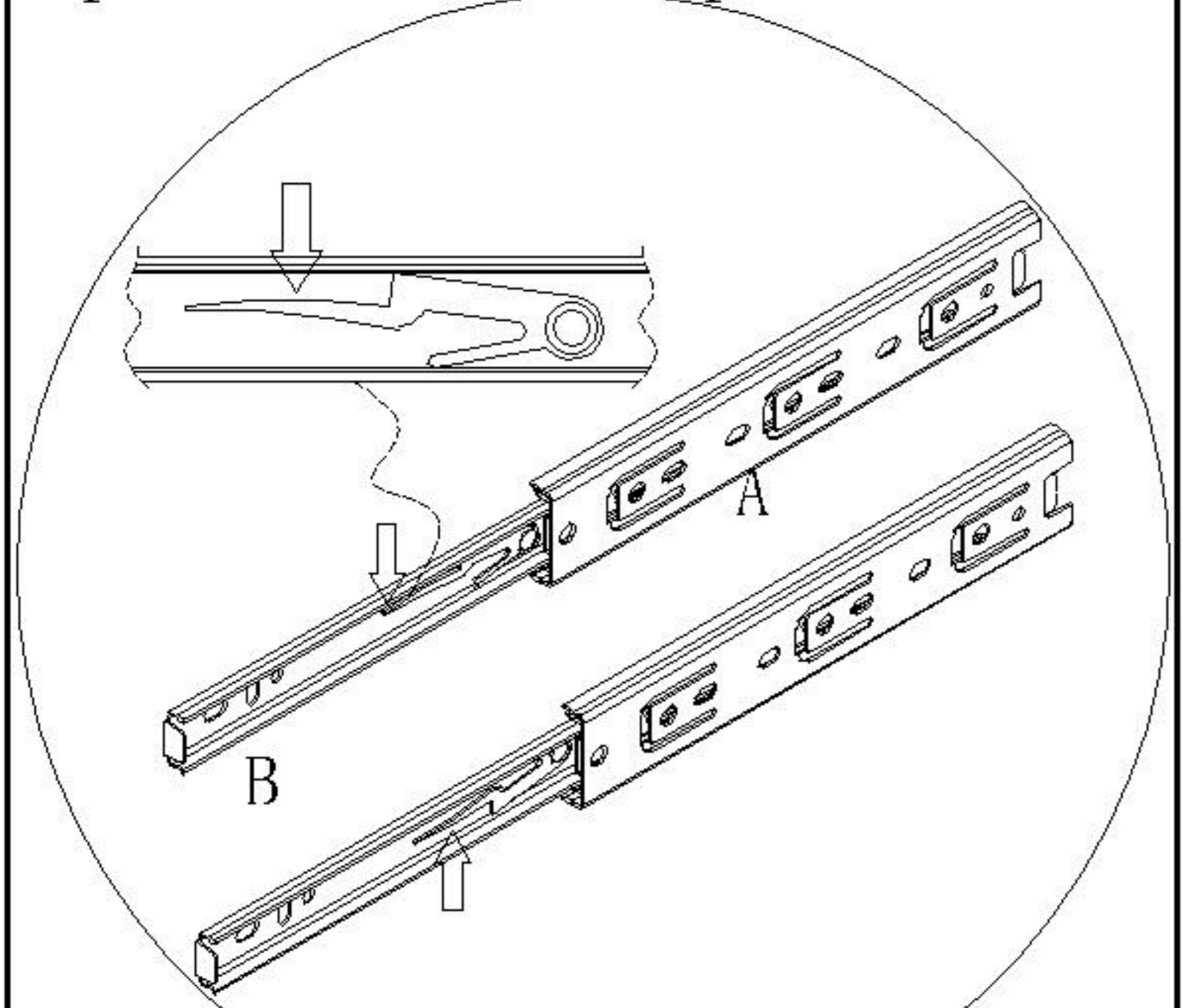
8



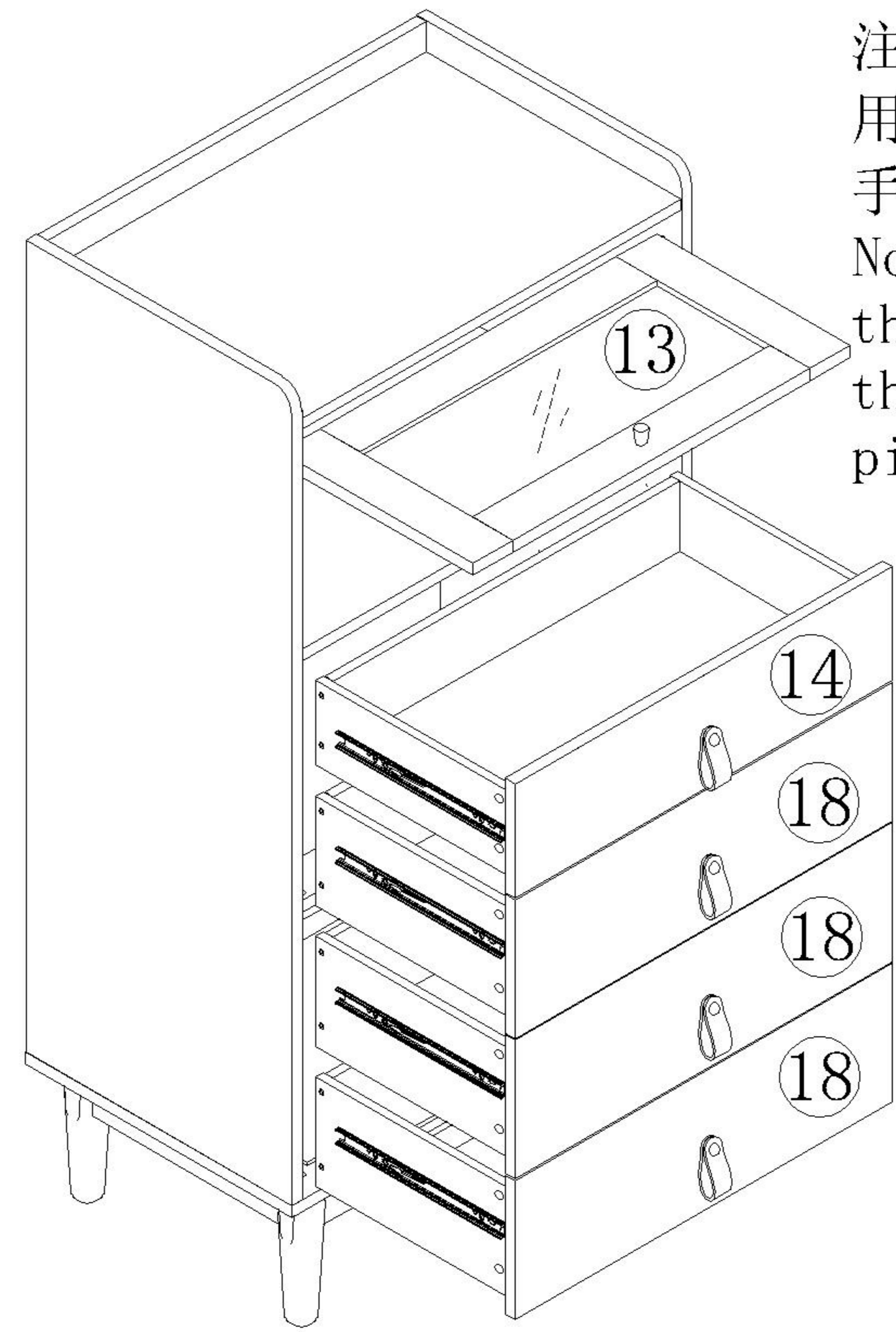
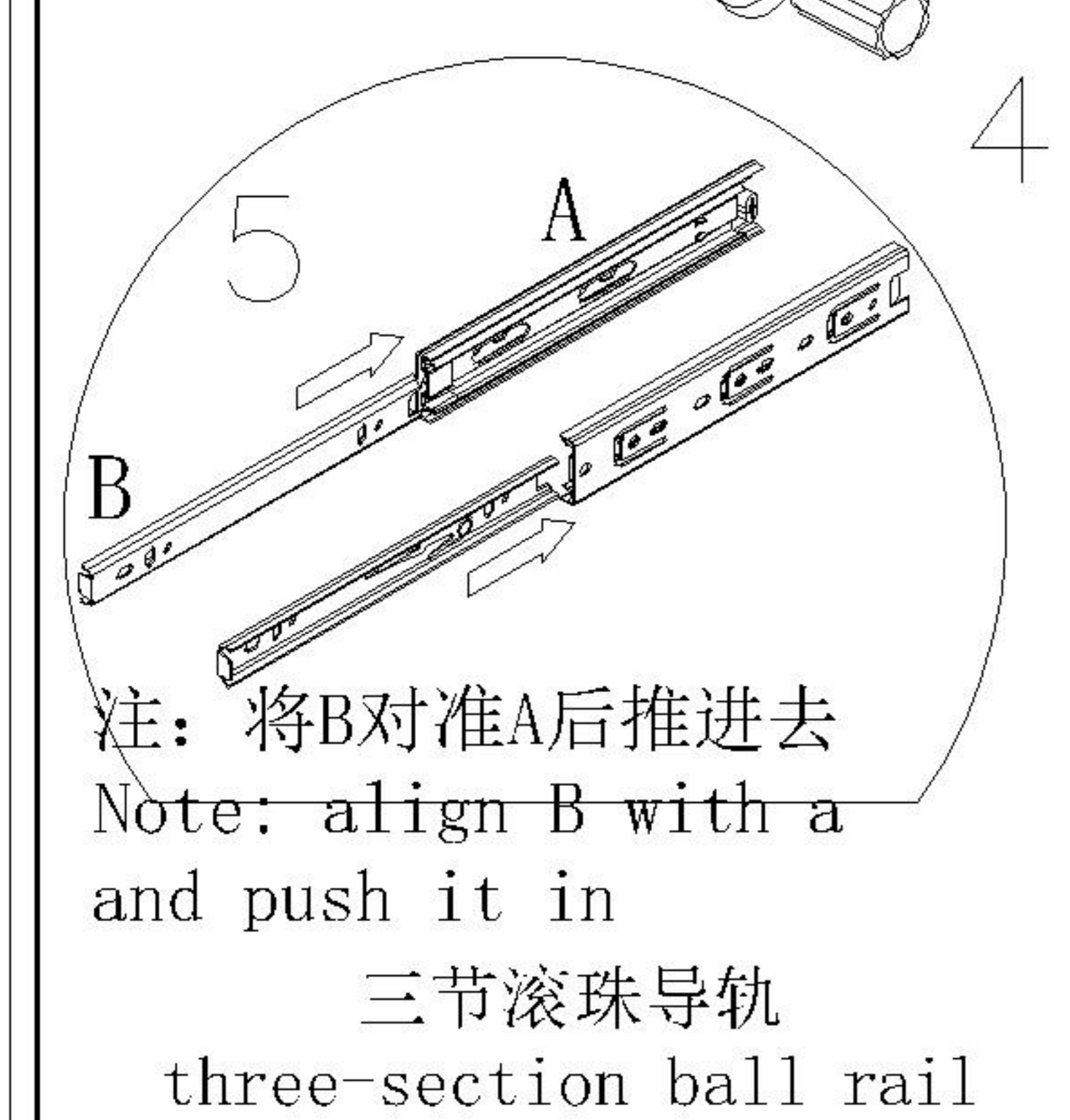
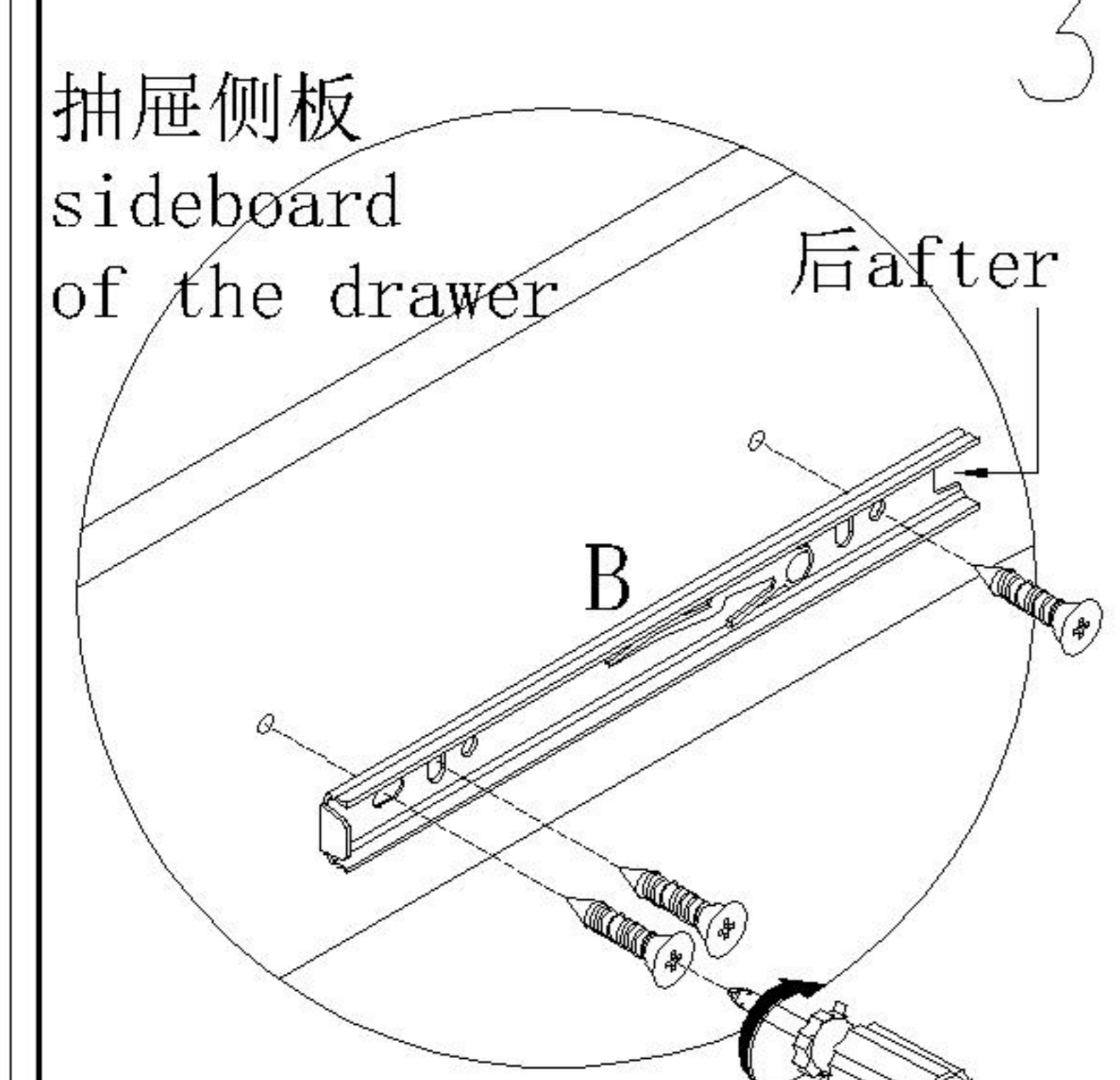
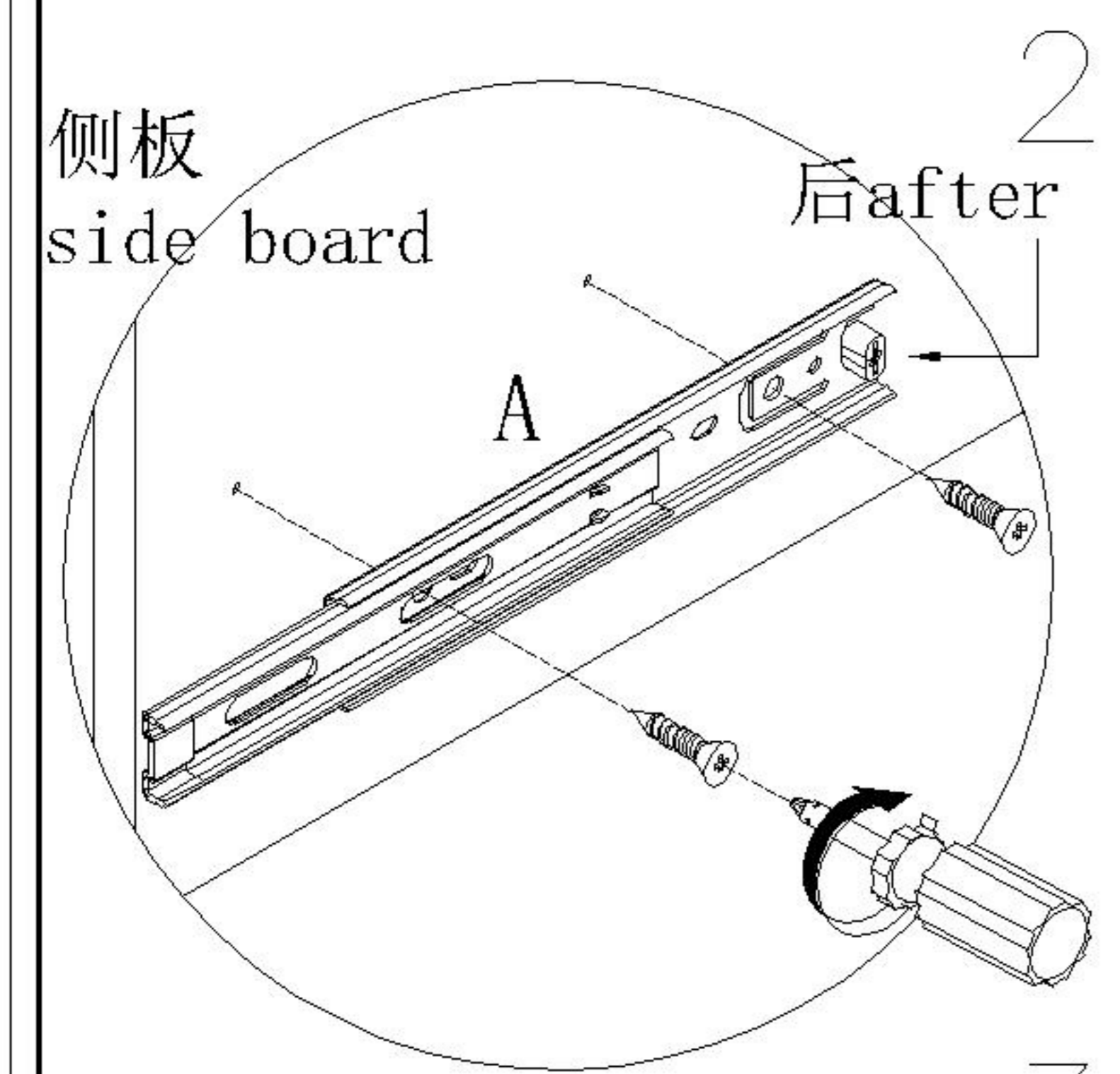
MQ3E-A (0.6m)

安装方法/  
Installation method

1  
阀门开关(下压为开)  
Valve switch  
(press down to open)



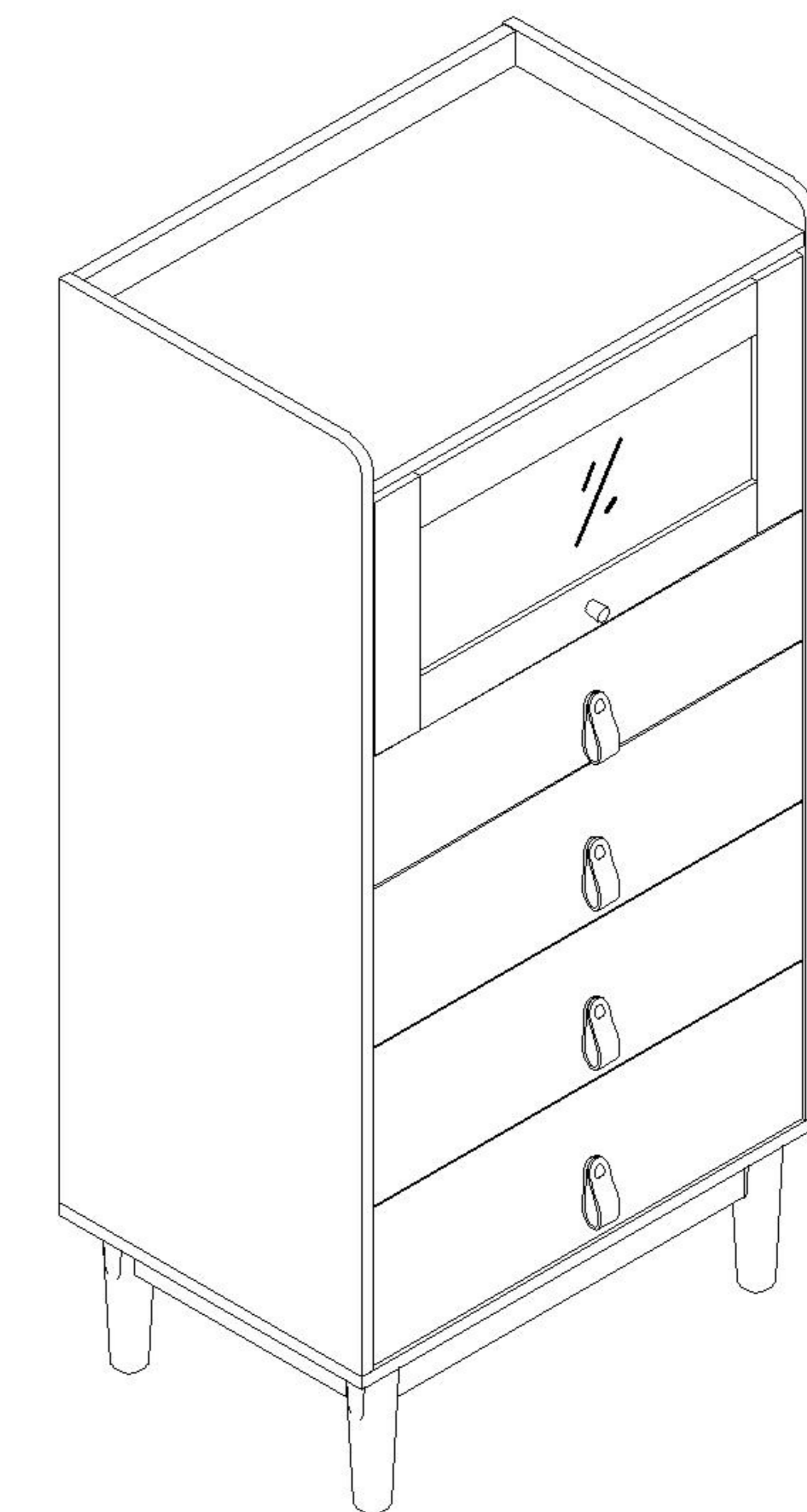
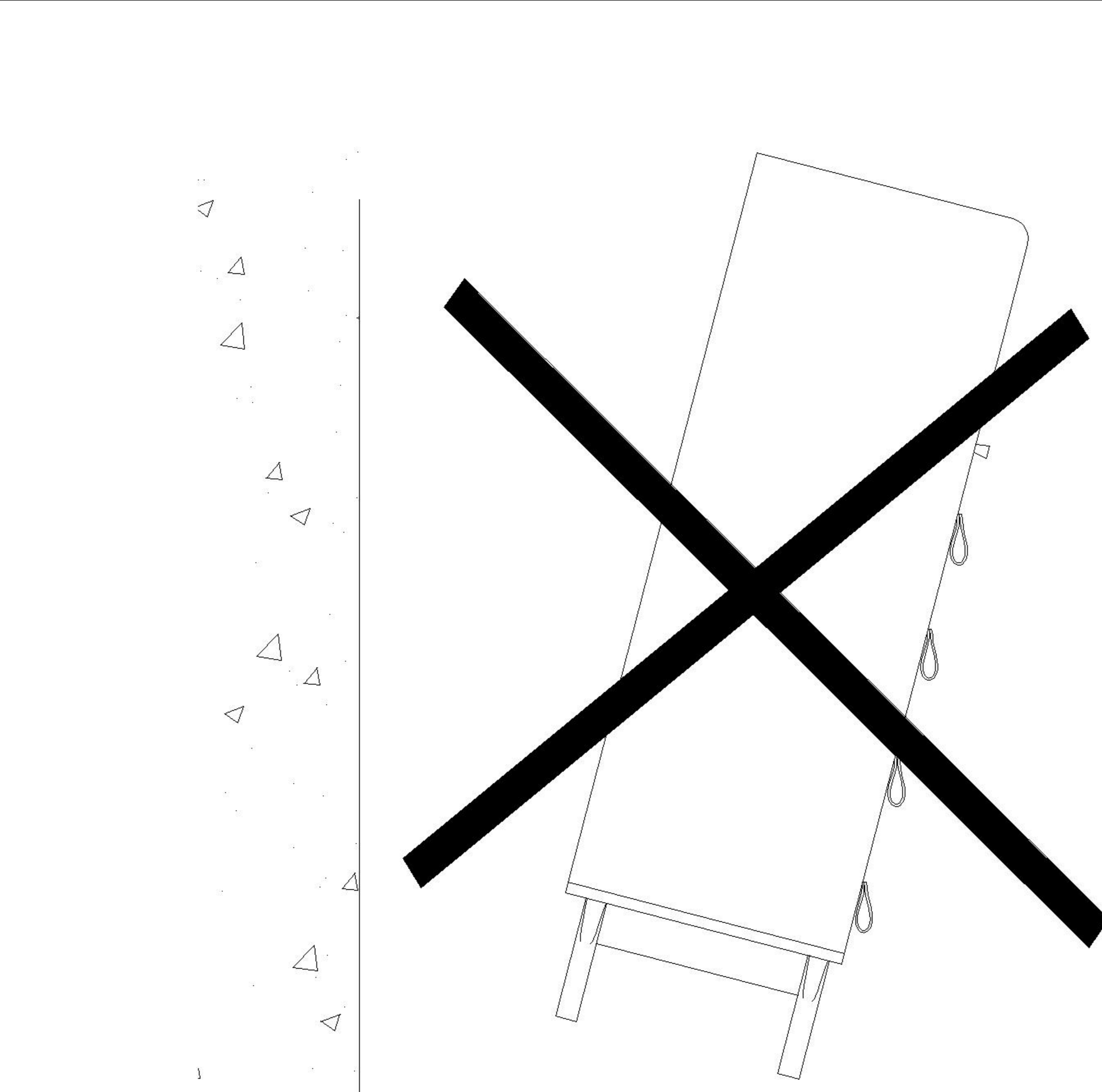
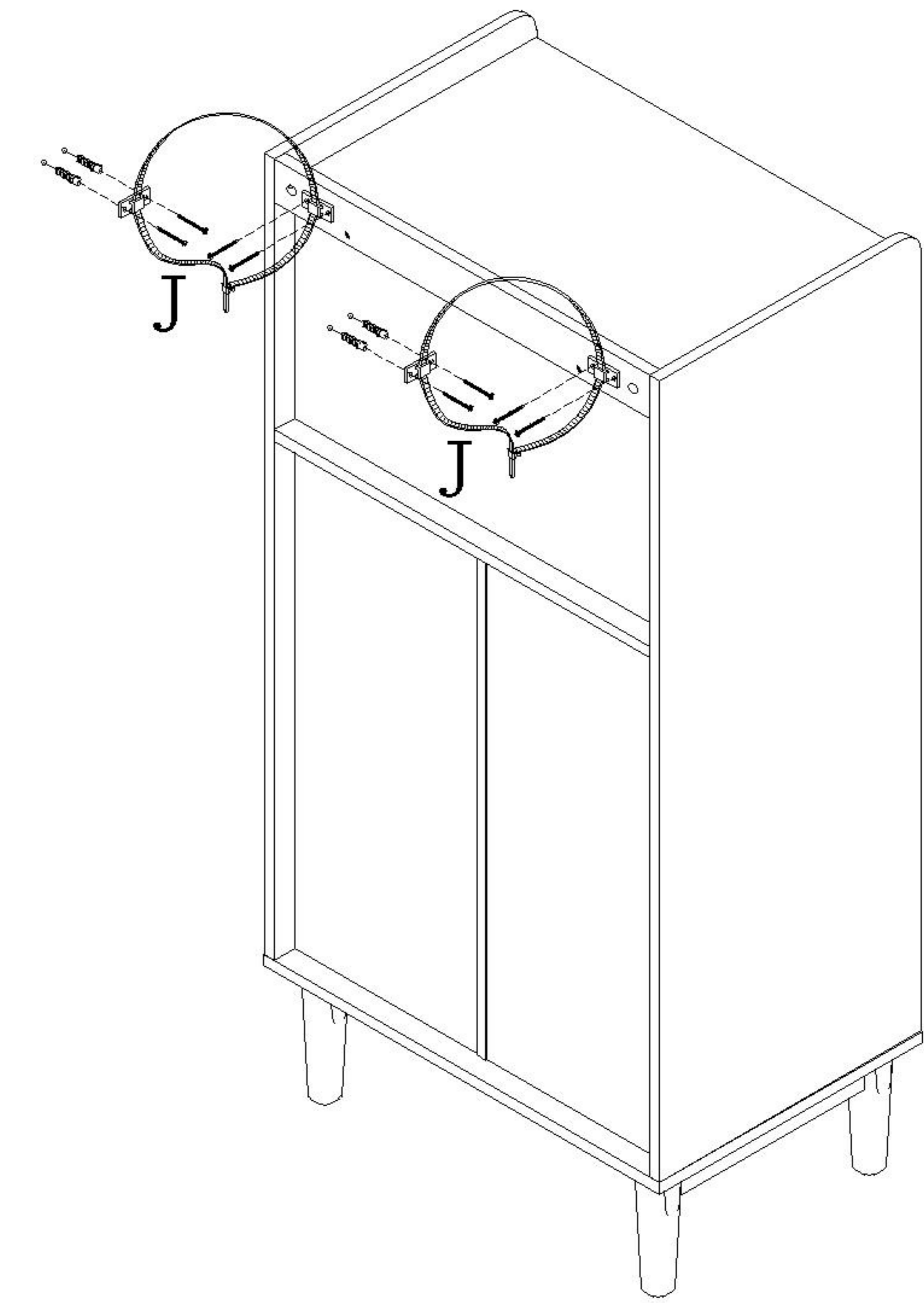
注: 先将A与B拆下来  
Note: remove a and B first



9  
注意: 翻门上方预留缝隙是设计  
用于翻门转动的空间, 小心夹  
手!  
Note: The reserved gap above  
the door is designed to turn  
the door, be careful not to  
pinch your hands.

(J)\*2

实体墙  
Solid wall



▲ 安装完成  
Installation is complete