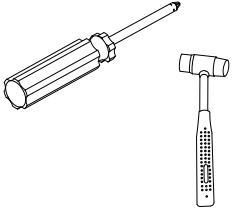
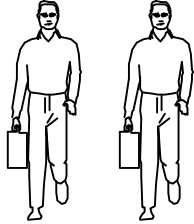


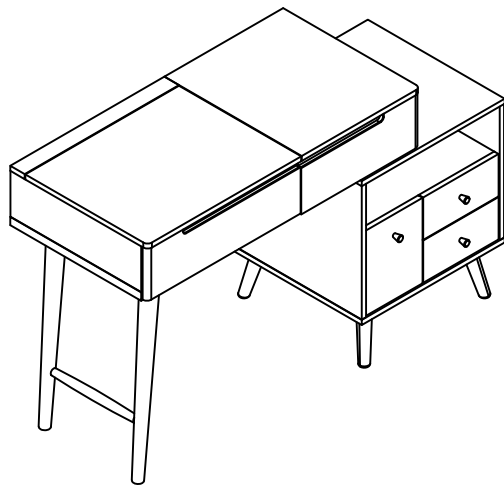
LINSY 林氏家居

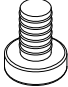
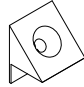
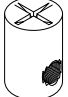
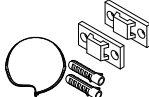
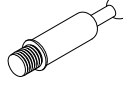


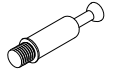
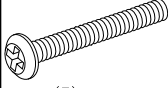
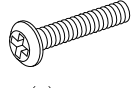

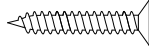
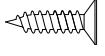
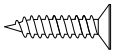
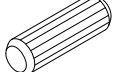
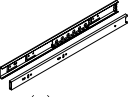

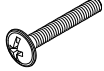
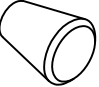

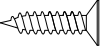
五金表/Hardware list

安装示意图/Assembly Instruction

产品名称 Model NO.	JU3C-A1
产品规格 Specification	938 1258*489 *767~1170mm
安装工具 Tool	安装人数 Installer
	

注：为保证设计效果，部分尺寸为定制尺寸，不影响使用。

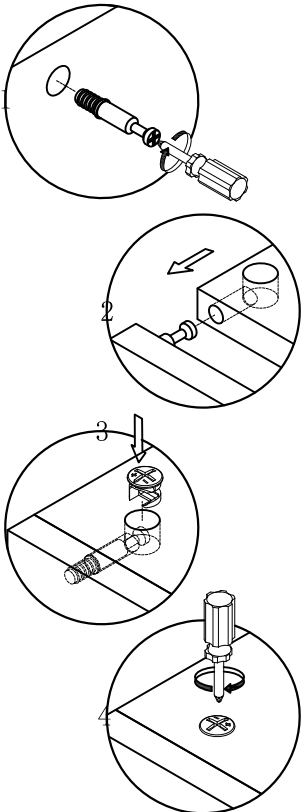


 (A)* 6 透明防滑PVC胶塞 PVC rubber plug	 (B)* 4 背板扣 Back Plate Buckle-White	 (C)* 4 锤母-M8 Ø12x15mm Hammer nut	 (D)* 1 家具防倒器-白色 Anti-fall device white	 (E)* 17 二合一螺杆 2-in-1-screw	 (F)* 17 大三合一锁饼 Three-in-one large lock	 (G)* 13 小三合一锁饼 Three-in-one small lock	 (H)* 13 小二合一杆 small two-in-one rod
 (I)* 4 斜边十字螺杆-M8x50 bevel cross screw	 (J)* 4 斜边十字螺杆-M8x30 bevel cross screw	 (K)* 13 塑料螺母 Plastic Nut	 (L)* 13 自攻螺丝M4x40mm Self-tapping screw	 (M)* 38 自攻螺丝M3.5x12mm Self-tapping screw	 (N)* 4 自攻螺丝M3.5x16mm Self-tapping screw	 (O)* 17 木榫Ø8x30mm wood tenon	 (P)* 3 三节滚珠导轨-12" three-section ball rail
 (Q)* 2 长胶垫-黑色 Long rubber pad - Black	 (R)* 3 拉手螺丝-M4x20mm pulling screw	 (S)* 3 圆拉手 Handle	 (T)* 1 妆镜自带插头 socket	 (U)* 4 自攻螺丝M3.5x14mm Self-tapping screw			

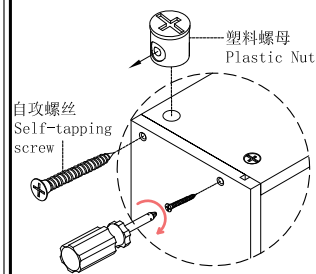
JU3C-A1	部件表/Parts List					部件表/Parts List				
安装方法/ Installation method	编号NO.	名称Name	规格 (mm) Specification	数量QTY	材质Material	编号NO.	名称Name	规格 (mm) Specification	数量QTY	材质Material
	①	整装柜子 Packaged cabinet	938*472*177	1	实木+三胺板 Wood+Melamine	②	脚框 Foot frame	410*100*585	1	实木Wood
	1-1	左面板 Panel (L)	528*420*15	1	三胺板Melamine	③	附柜面板 Attached counter board	491*470*15	1	三胺板Melamine
	1-2	右面板 Board (R)	408*472*15	1	三胺板Melamine	④	附柜底板 Attached bottom board	491*470*15	1	三胺板Melamine
	1-3	拉条 Brace	530*50*15	1	三胺板Melamine	⑤	附柜左侧板 Sideboard of attached cabinet (L)	398*469*15	1	三胺板Melamine
	1-4	底板 Bottom board	938*450*25	1	三胺板Melamine	⑥	附柜右侧板 Sideboard of attached cabinet (R)	398*469*15	1	三胺板Melamine
	1-5	左侧板 Side board (L)	450*137*15	1	三胺板Melamine	⑦	附柜中侧板 Middle side board of attached cabinet	239*432*15	1	三胺板Melamine
	1-6	右侧板 Side board (R)	450*137*15	1	三胺板Melamine	⑧	附柜层板 Shelf of attached cabinet	459*432*15	1	三胺板Melamine
	1-7	中侧板 Middle side board	400*137*25	1	三胺板Melamine	⑨	附柜背板 Attached back board	469*408*5	1	三胺板Melamine
	1-8	左背板 back board (L)	906*137*15	1	三胺板Melamine	⑩	左抽屉面板 Drawer's panel (L)	194*254*15	1	三胺板Melamine
	1-9	假抽面 False drawer panel	529*157*20	1	实木Wood	⑪	右抽屉面板 Drawer's panel (R)	259*126*15	2	三胺板Melamine
	1-10	上抽屉面板 Upper drawer's panel	407*157*20	1	实木Wood	⑫	左抽屉左侧板 Left drawer's sideboard (L)	340*174*12	1	三胺板Melamine
	1-11	上抽屉左侧板 Upper drawer's sideboard (L)	340*110*12	1	三胺板Melamine	⑬	左抽屉右侧板 Left drawer's sideboard (R)	340*174*12	1	三胺板Melamine
	1-12	上抽屉右侧板 Upper drawer's sideboard (R)	340*110*12	1	三胺板Melamine	⑭	右抽屉左侧板 Right drawer's sideboard (L)	340*78*12	2	三胺板Melamine
	1-13	上抽屉后板 Upper drawer's back board	332*110*12	1	三胺板Melamine	⑮	右抽屉右侧板 Right drawer's sideboard (R)	340*78*12	2	三胺板Melamine
	1-14	上抽屉底板 Upper Drawer's Bottom board	342*336*5	1	三胺板Melamine	⑯	左抽屉后板 Drawer's Back board (L)	140*174*12	1	三胺板Melamine
	1-15	中隔板 Middle clapboard	497*58*12	1	三胺板Melamine	⑰	右抽屉后板 Drawer's Back board (R)	204*78*12	2	三胺板Melamine
1-16	横隔板 Horizontal clapboard	397*58*12	2	三胺板Melamine	⑱	左抽屉底板 Drawer's Bottom board (L)	150*336*5	1	三胺板Melamine	
	⑲					右抽屉底板 Drawer's Bottom board (R)	214*336*5	2	三胺板Melamine	
	⑳					矮脚 Short feet	170*40*40	4	实木Wood	
	㉑					妆镜 Dresser mirror	455*365*41	1	五金+银镜 Hardware+Mirror	

JU3C-A1

安装方法/
Installation method

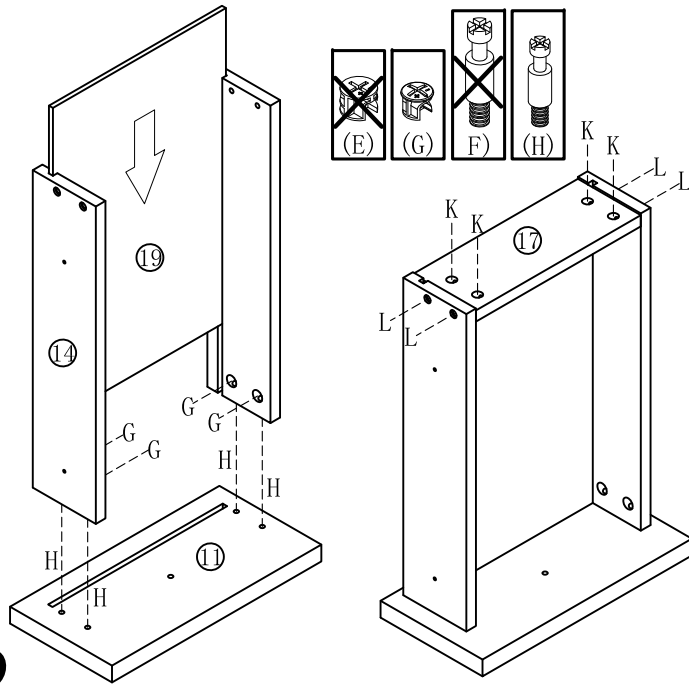


小二合一
small two-in-one



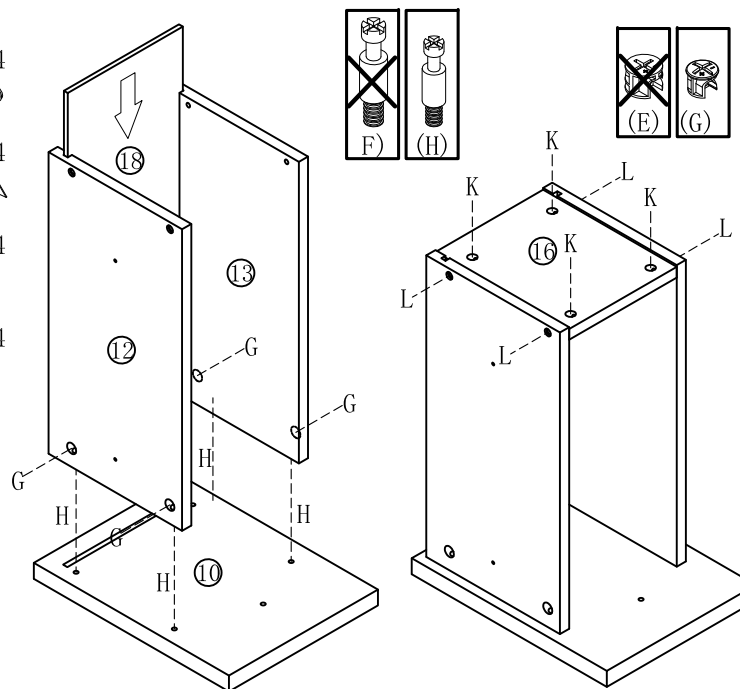
塑料螺母
Plastic Nut

- (G)*8
- (H)*8
- (L)*8
- (K)*8



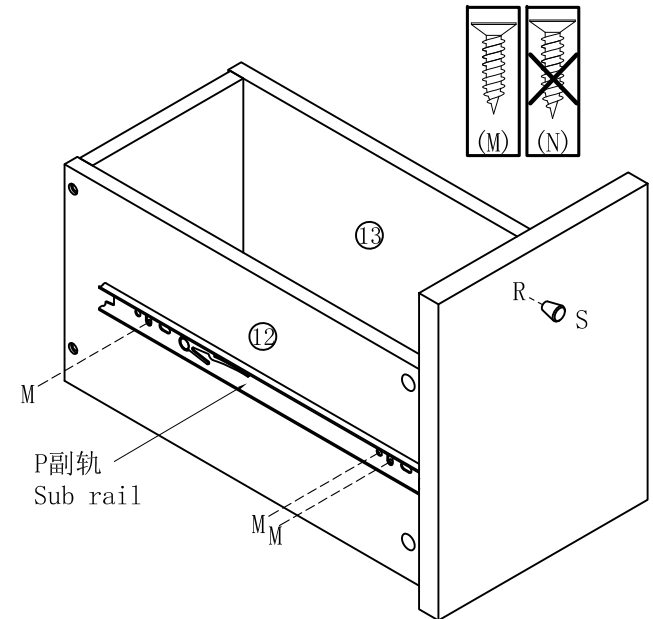
X2

- (G)*4
- (H)*4
- (L)*4
- (K)*4



3

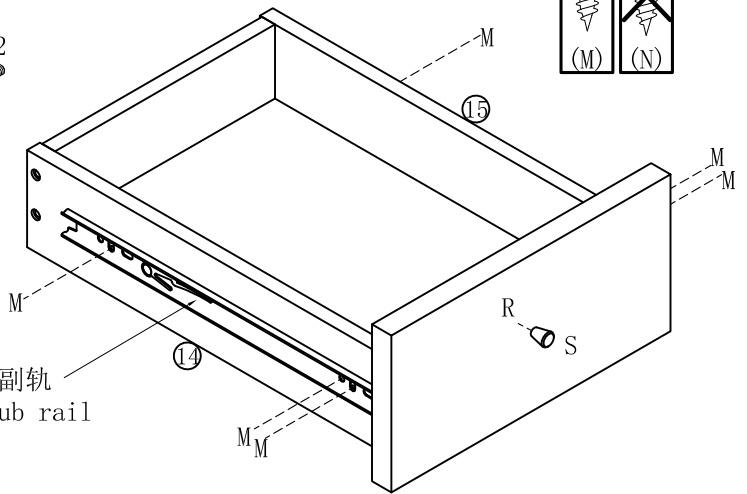
- (P)*1
- (M)*6
- (R)*1
- (S)*1



P副轨
Sub rail

1

- (P)*2
- (M)*12
- (R)*2
- (S)*2



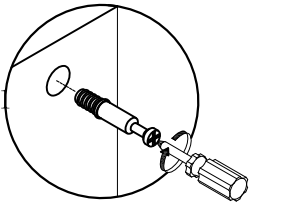
X2

2

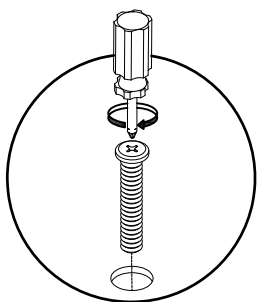
4

JU3C-A1

安装方法/
Installation method



大二合一
two-in-one



斜边十字螺杆
bevel cross screw



(F)*6



(E)*6



(O)*6



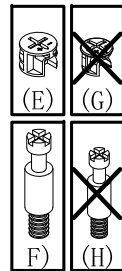
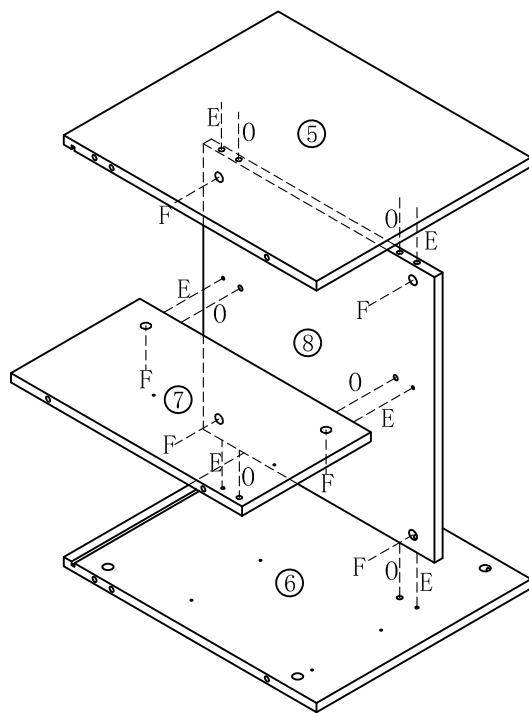
(C)*4



(I)*4



(A)*4



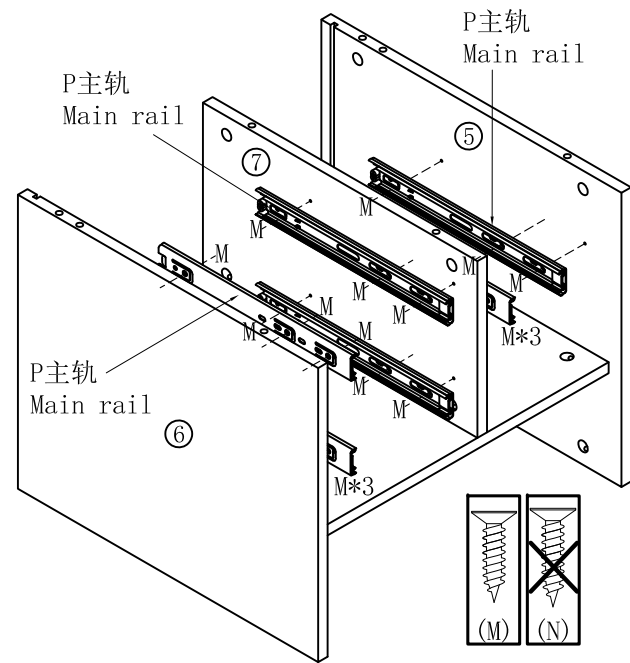
5



(P)*3



(M)*18



6

7



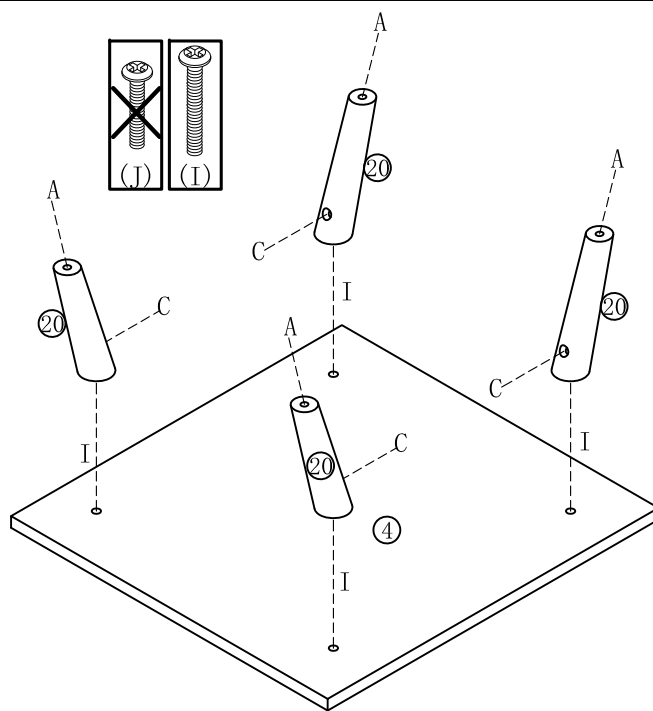
(F)*6



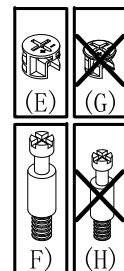
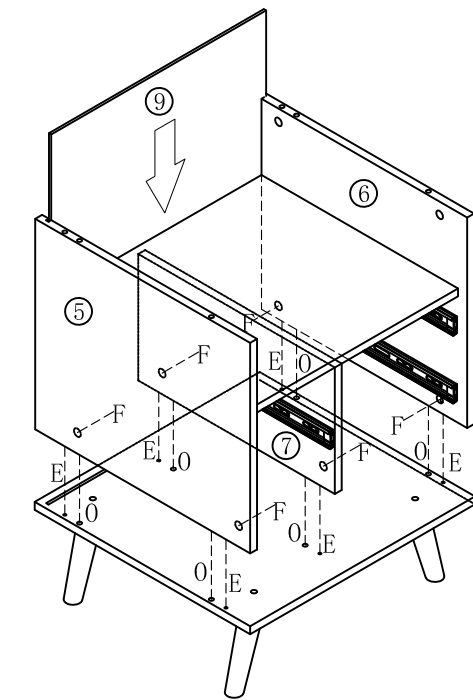
(E)*6



(O)*6



8



JU3C-A1

安装方法/

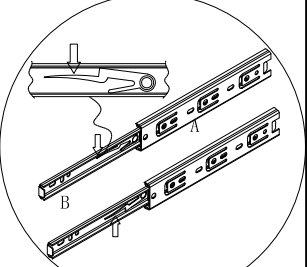
Installation method

阀门开关(下压为开)

Valve switch

(press down to open)

1



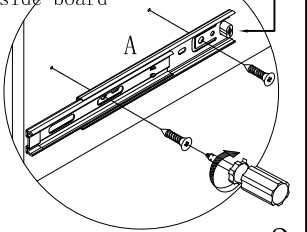
注: 先将A与B拆下来

Note: remove a and B first

侧板
side board

后after

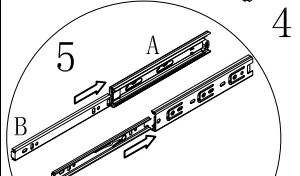
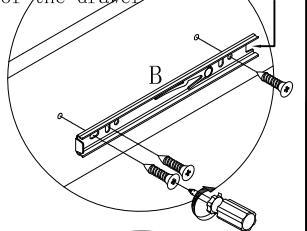
2



抽屉侧板
sideboard
of the drawer

后after

3



注: 将B对准A后推进去

Note: align B with a
and push it in
三节滚珠导轨
three-section ball rail



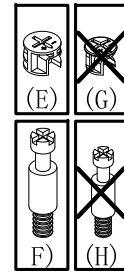
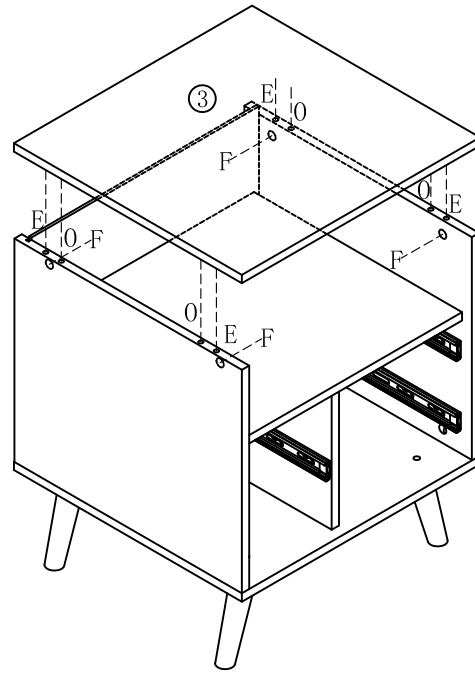
(F)*4



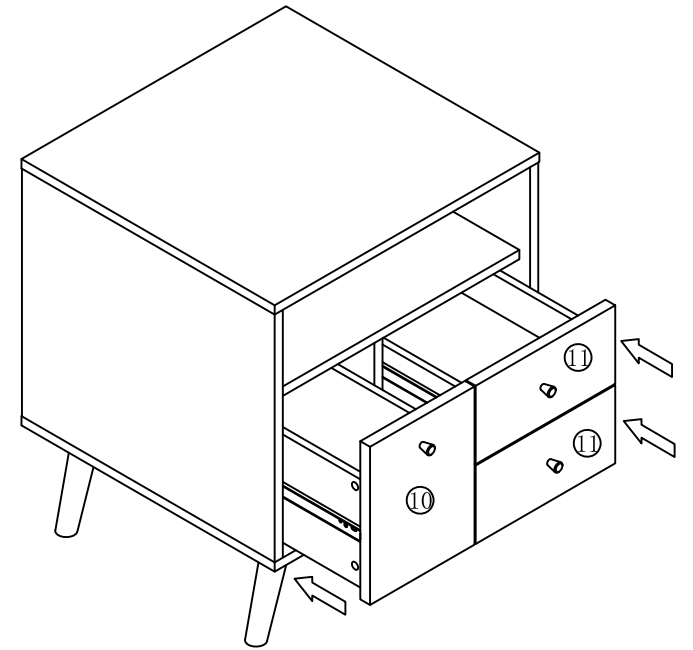
(E)*4



(O)*4



9



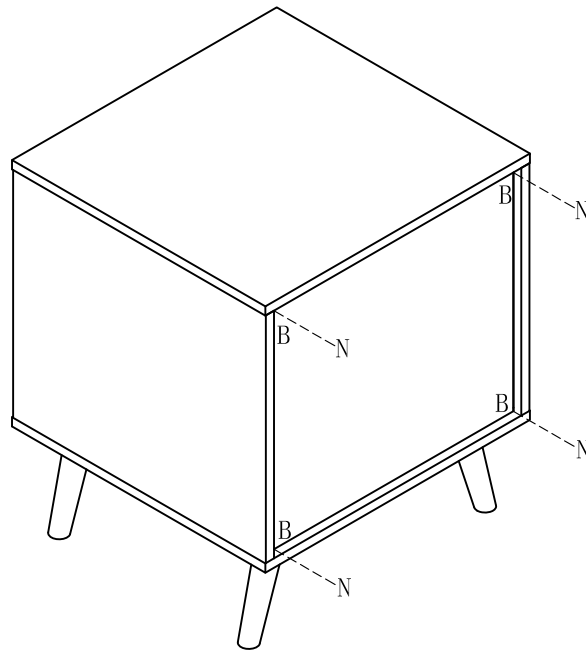
10



(B)*4



(N)*4



11



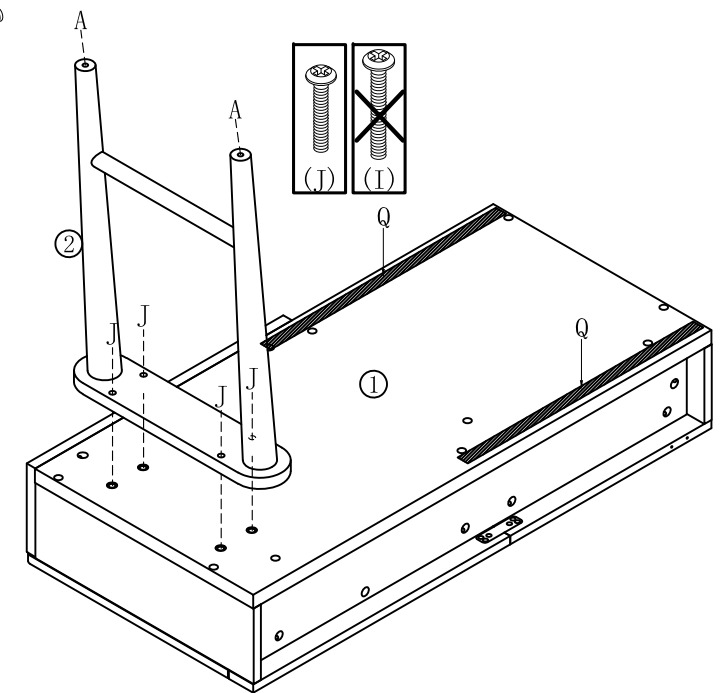
(J)*4



(A)*2



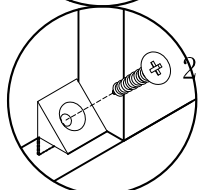
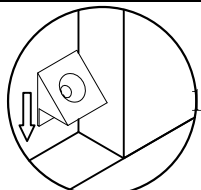
(Q)*2



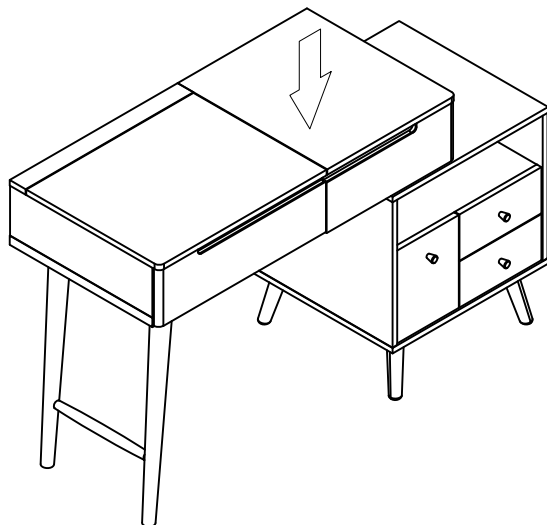
12

JU3C-A1

安装方法/
Installation method



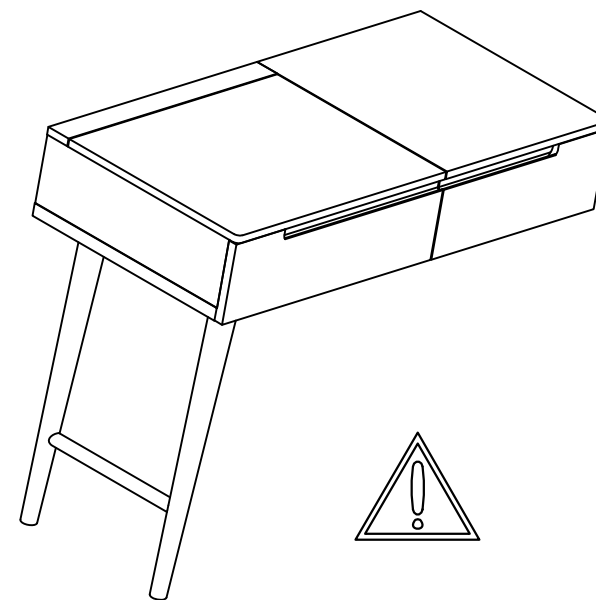
背板扣
Back Plate Buckle-White



13

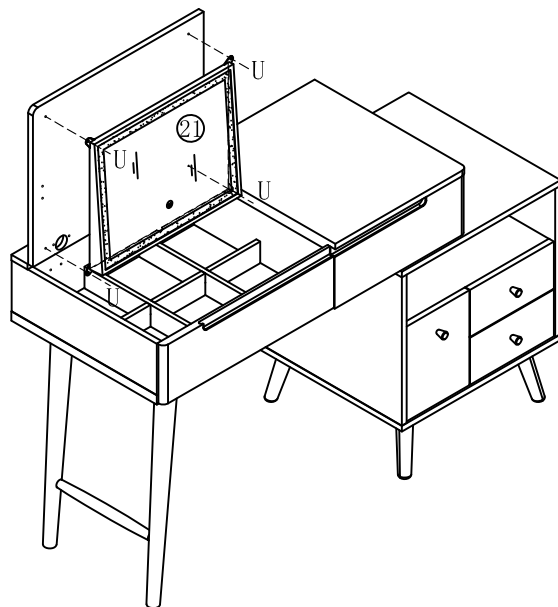
注意!

请适当调整附柜与主柜组合间的距离，单独放置主柜会有倾倒的风险。
Be careful! Please properly adjust the distance between the attached and main cabinet. Placing the main cabinet alone will have a risk of dumping.



14

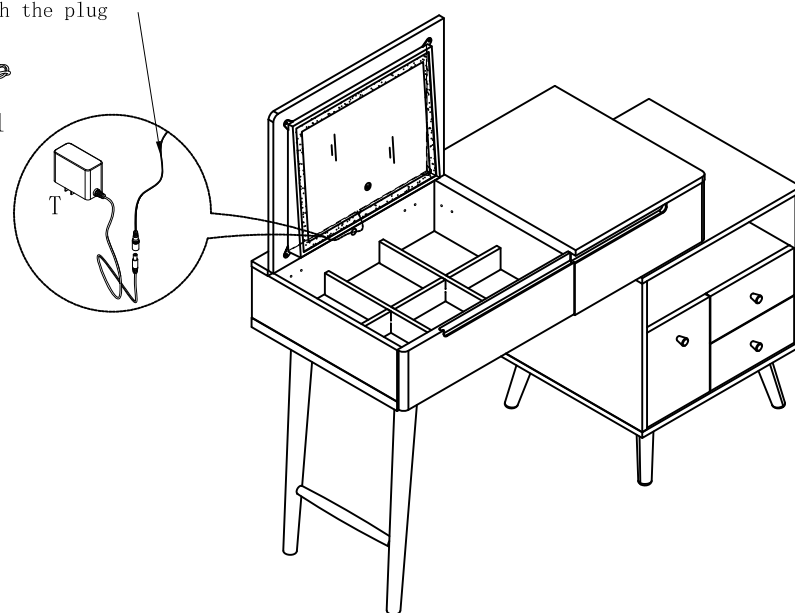

(U)*4



15

将妆镜自带电源连接线穿过背板孔再与自带插头连接
Pass the power cable of the makeup mirror through the hole of the back plate and connect it with the plug


(T)*1

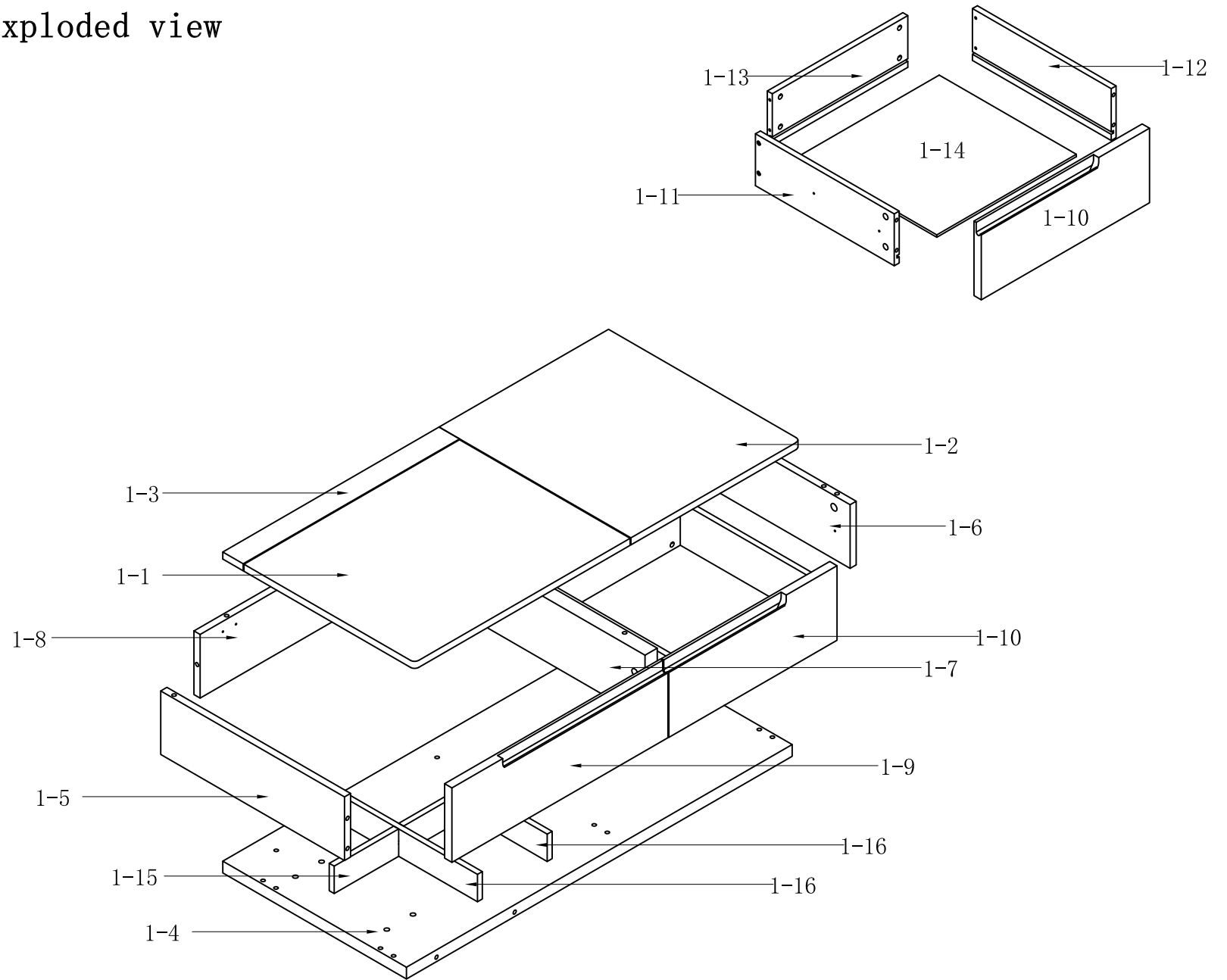


16

JU3C-A1

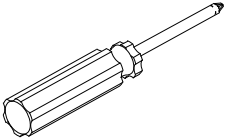

安装方法/
Installation method

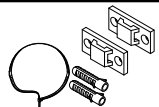
分解图
Exploded view

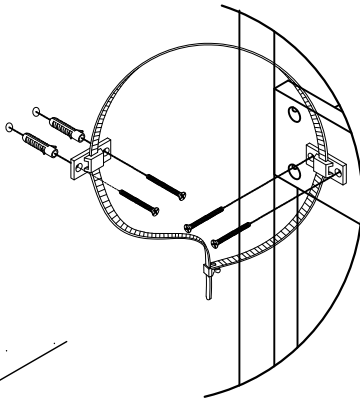


LINSY 林氏家居

安装示意图/Assembly Instruction

产品名称 Model NO.	Anti-fall device
产品规格 Specification	-
安装工具 Tool	安装人数 Installer
	


(D)* 1
家具防倒器-白色
Anti-fall device
white



D处放大图
Enlarged view at D

实体墙
Solid wall

