

安装示意图/Assembly Instruction

产品名称 Model NO.

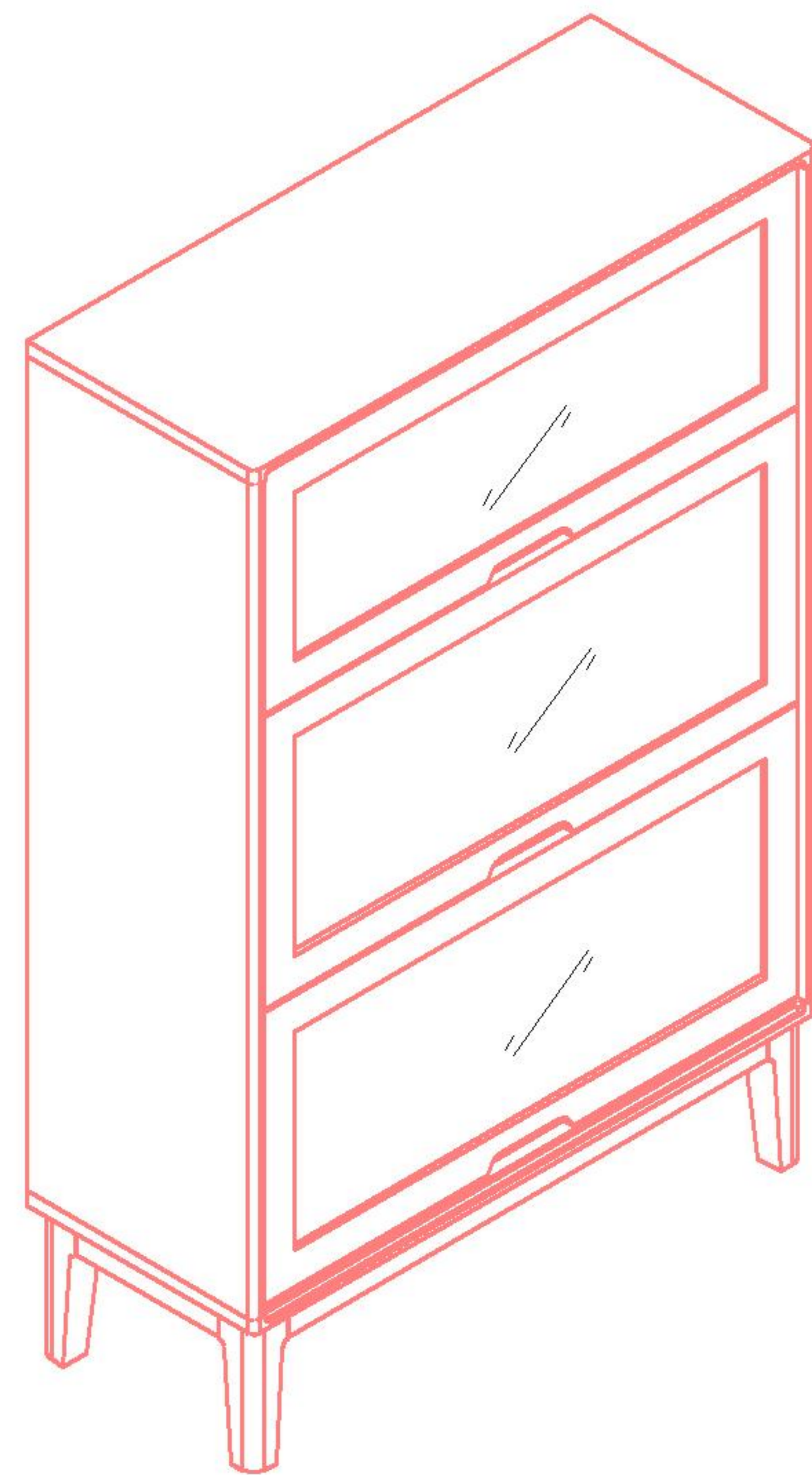
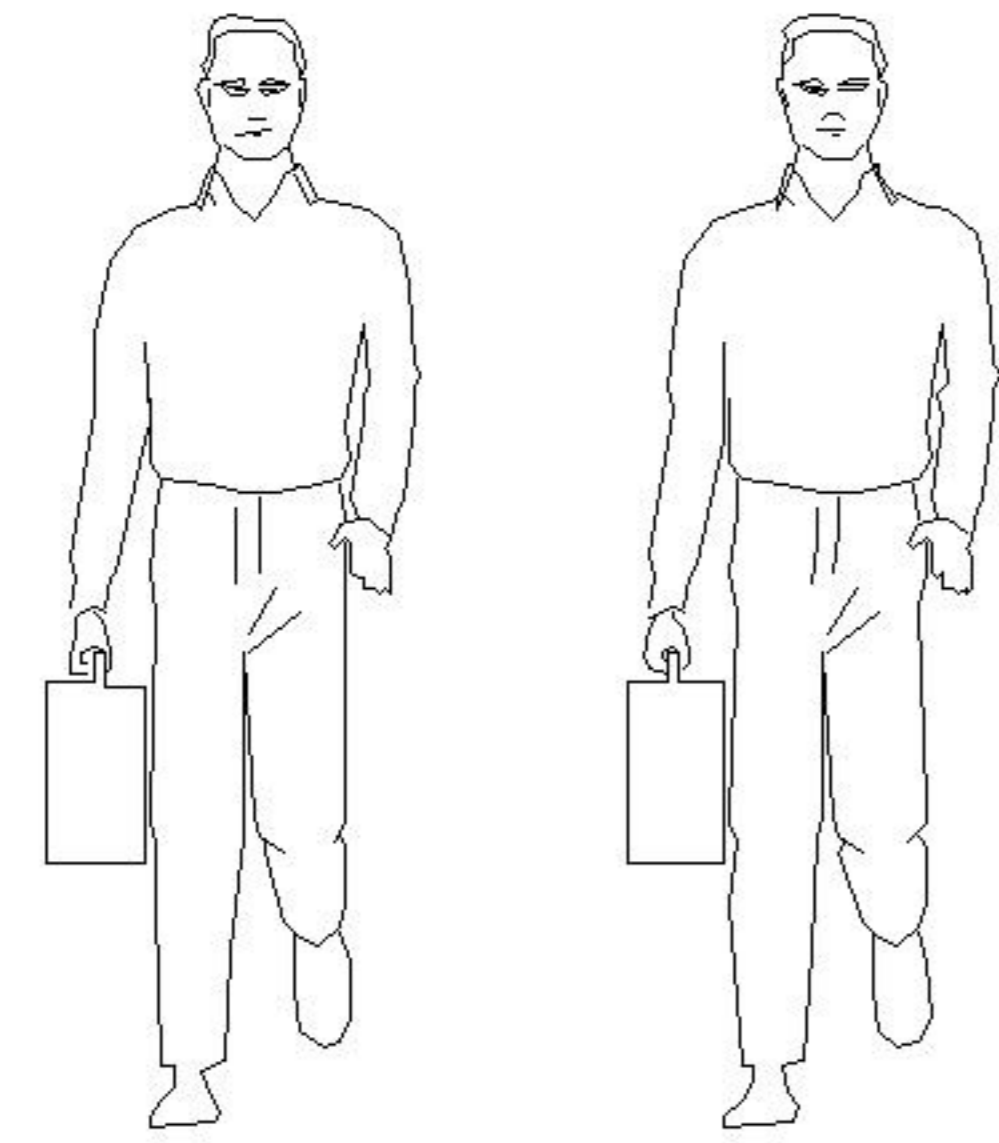
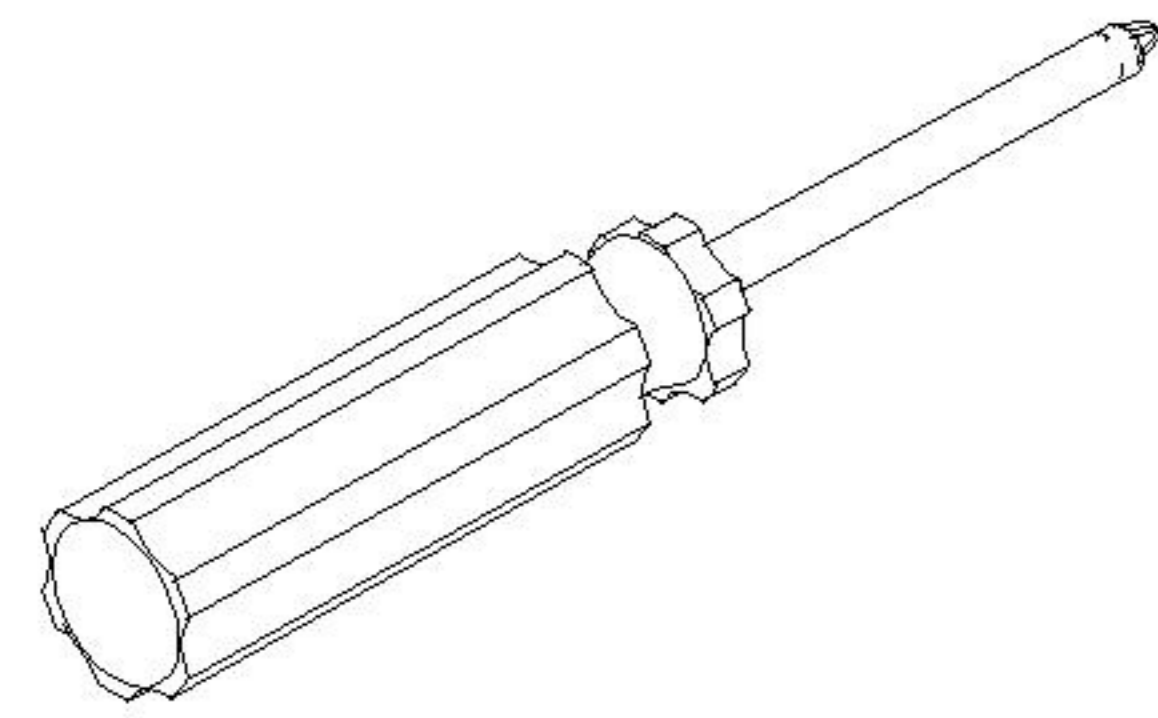
AS1X-A 0.8M

产品规格 Specification

796*320*1241mm

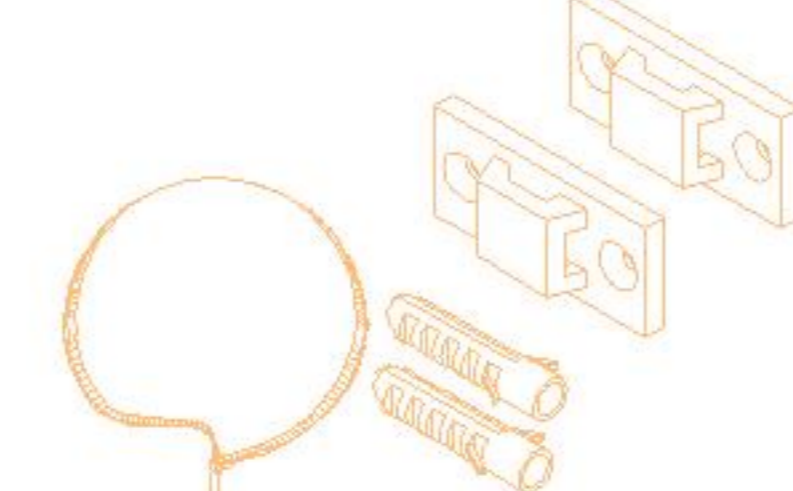
安装工具 Tool

安装人数 Installer



(A)*4

9厘透明防滑PVC脚垫
Rubber stopper



(B)*2

家具防倒器-白色
Anti-fall device



(C)*6

层板托杆
Laminate bracket



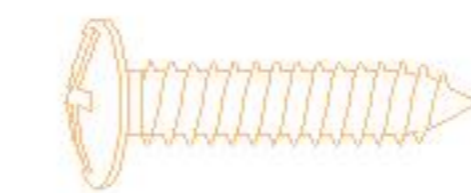
(D)*6

透明圆形防滑垫
Non-slip plastic pad



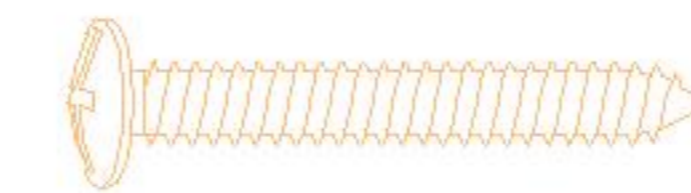
(E)*2

木榫 \varnothing 8*30
Wood tenon



(F)*32

自攻大扁M4*16mm
Flat head tapping screw



(G)*17

自攻大扁M4*30mm
Flat head tapping screw



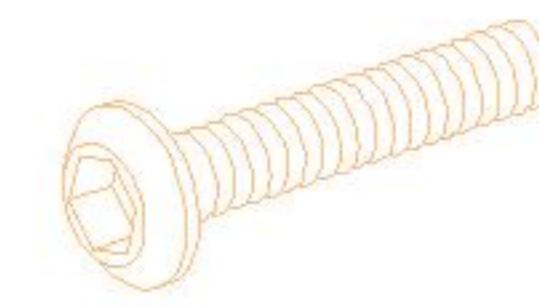
(H)*4

垫片M6-彩锌
shim-(M6)



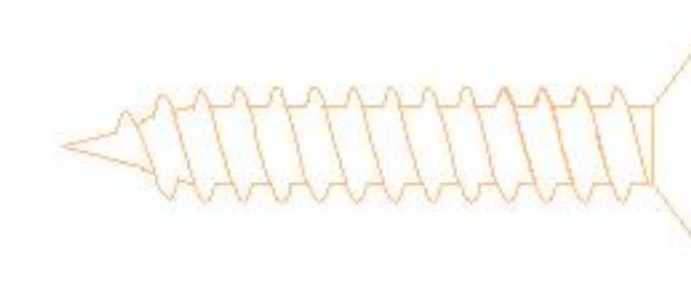
(I)*1

扳手-(4mm)内六角扳手
Hexagon wrench



(J)*4

斜边内六角螺杆M6*45
Bevel inner hexagon screw

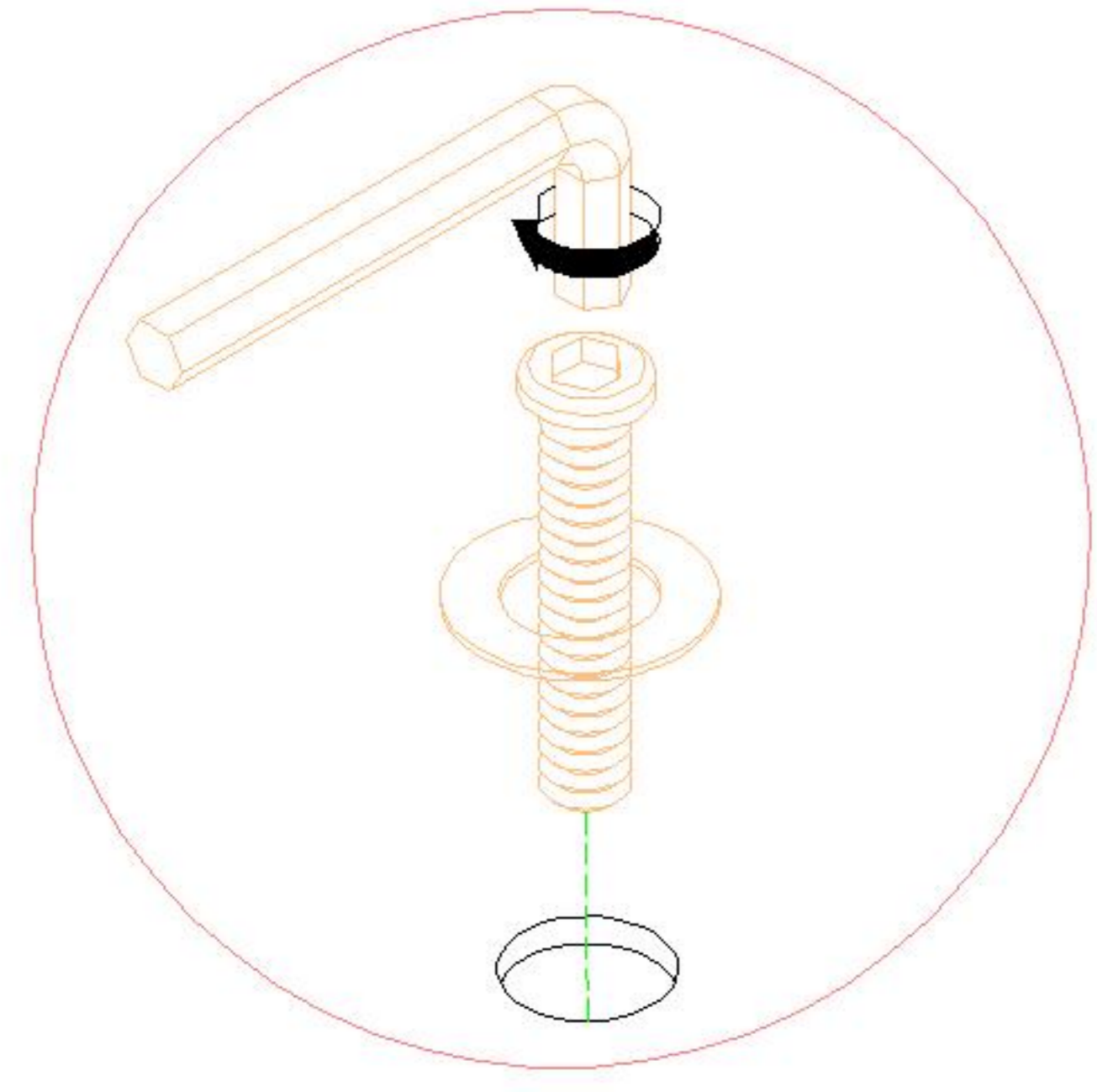


(K)*15

自攻螺丝M4*40mm
Self-tapping screw

编号NO.	名称 Name	规格 (mm) Specification	数量QTY	材质 Material
1	顶板Top board	796*320*18	1	实木 Wood
2	底板Bottom board	796*320*18	1	实木 Wood
3	层板Shelf	760*278*18	2	实木 Wood
4	右侧板组立Side board assembly (R)	1020*320*36	1	实木 Wood
5	左侧板组立Side board assembly (L)	1020*320*36	1	实木 Wood
6	垫条1Cushion strip 1	240*20*12	6	实木 Wood
7	上翻门Upturn door	756*295*20	1	实木+玻璃 Wood+Glass
8	下翻门Down door	756*357*20	2	实木+玻璃 Wood+Glass
9	背板1 Back board 1	904*294*8	2	实木 Wood
10	背板2 Back board 2	904*207*8	1	实木 Wood
11	后拉条Back brace	758*78*18	2	实木 Wood
12	底框Bottom frame	774*298*35	1	实木 Wood
13	脚Foot	180*50*50	4	实木 Wood

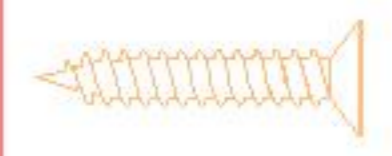
安装方法/
Installation method



斜边内六角螺杆
Beveled hexagon socket head screw



(A)*4



(K)*8



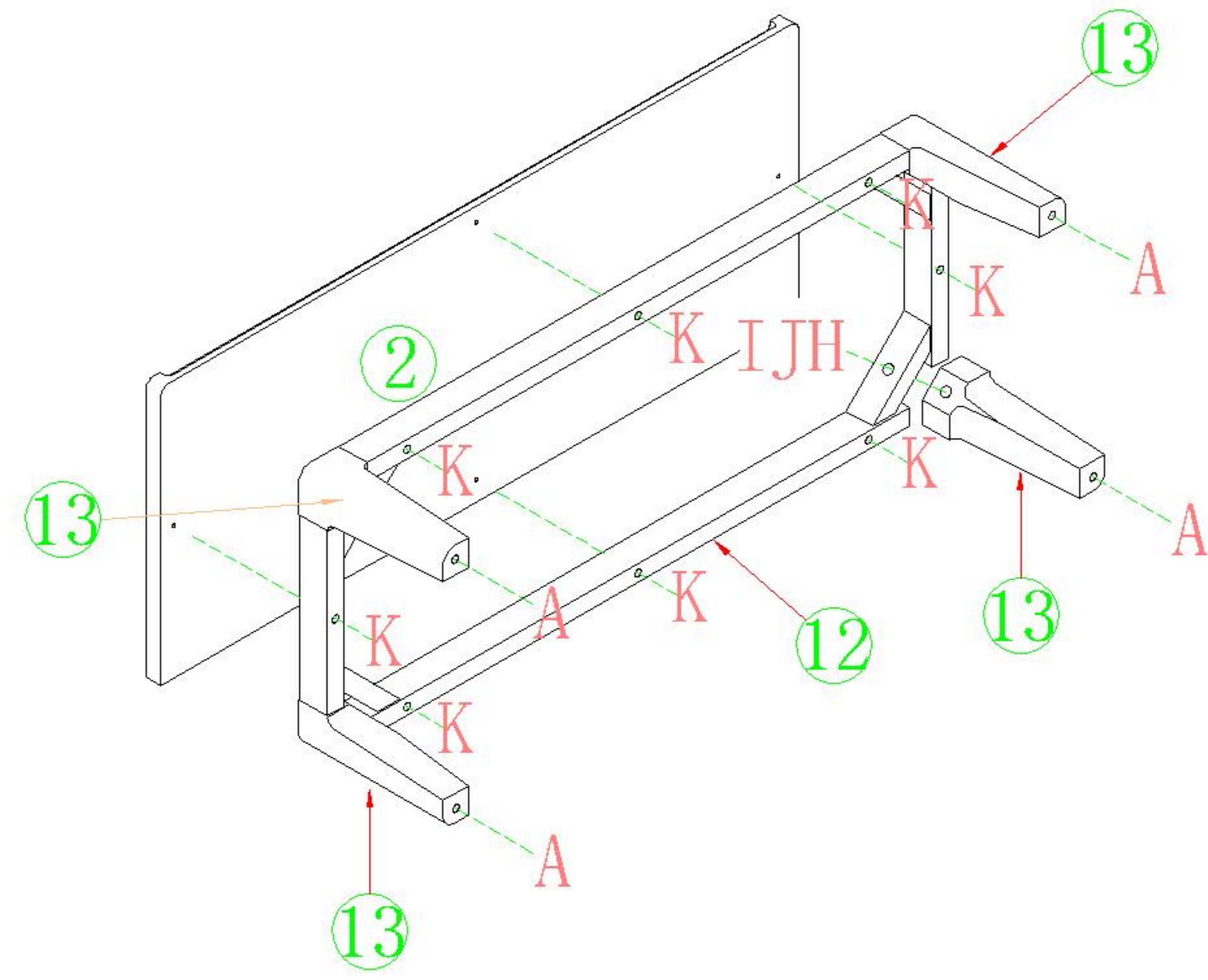
(I)*1



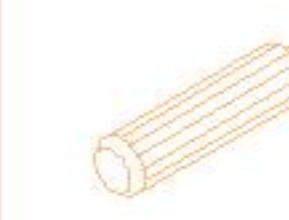
(J)*4



(H)*4



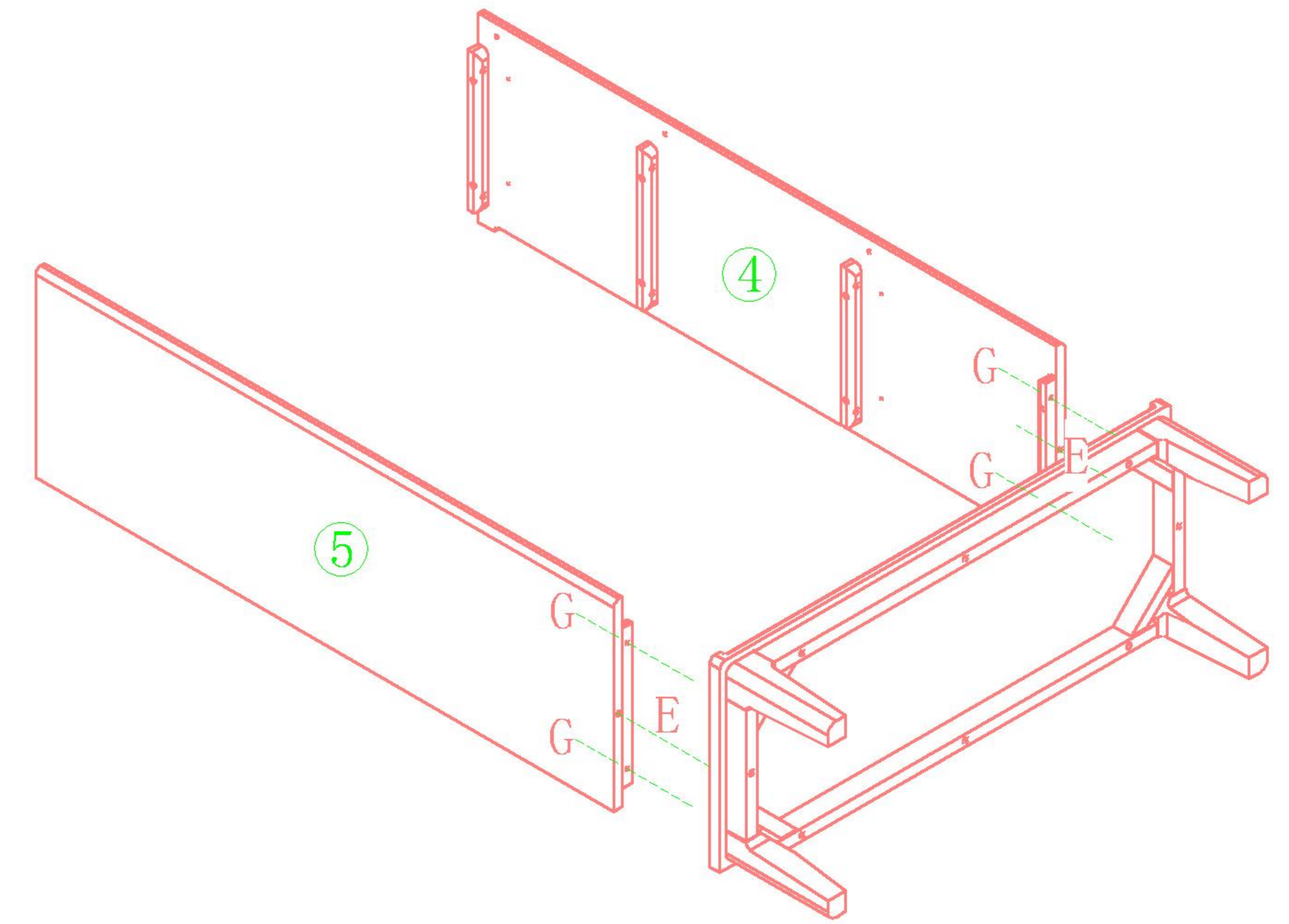
1



(E)*2



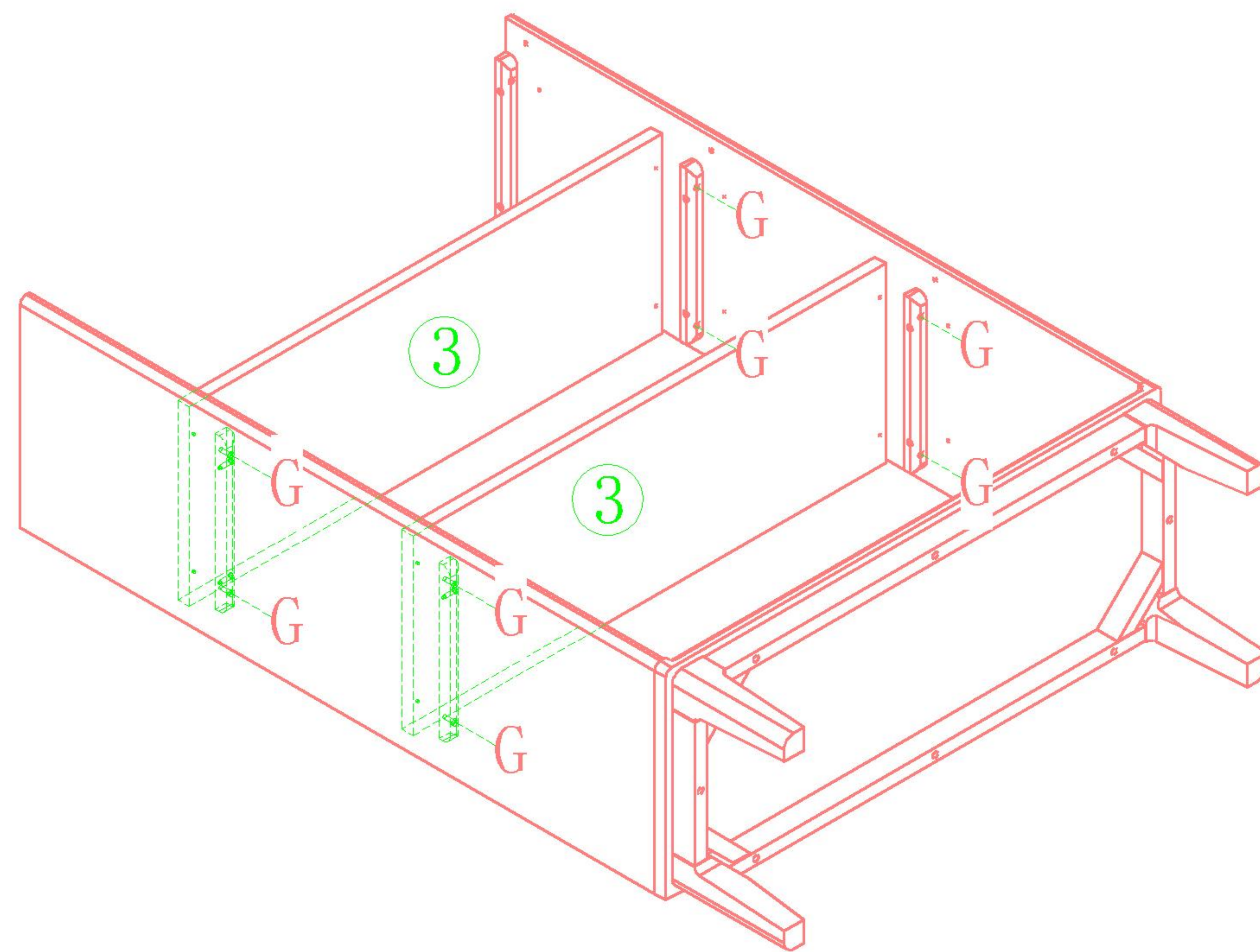
(G)*4



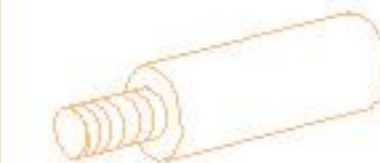
2



(G)*8



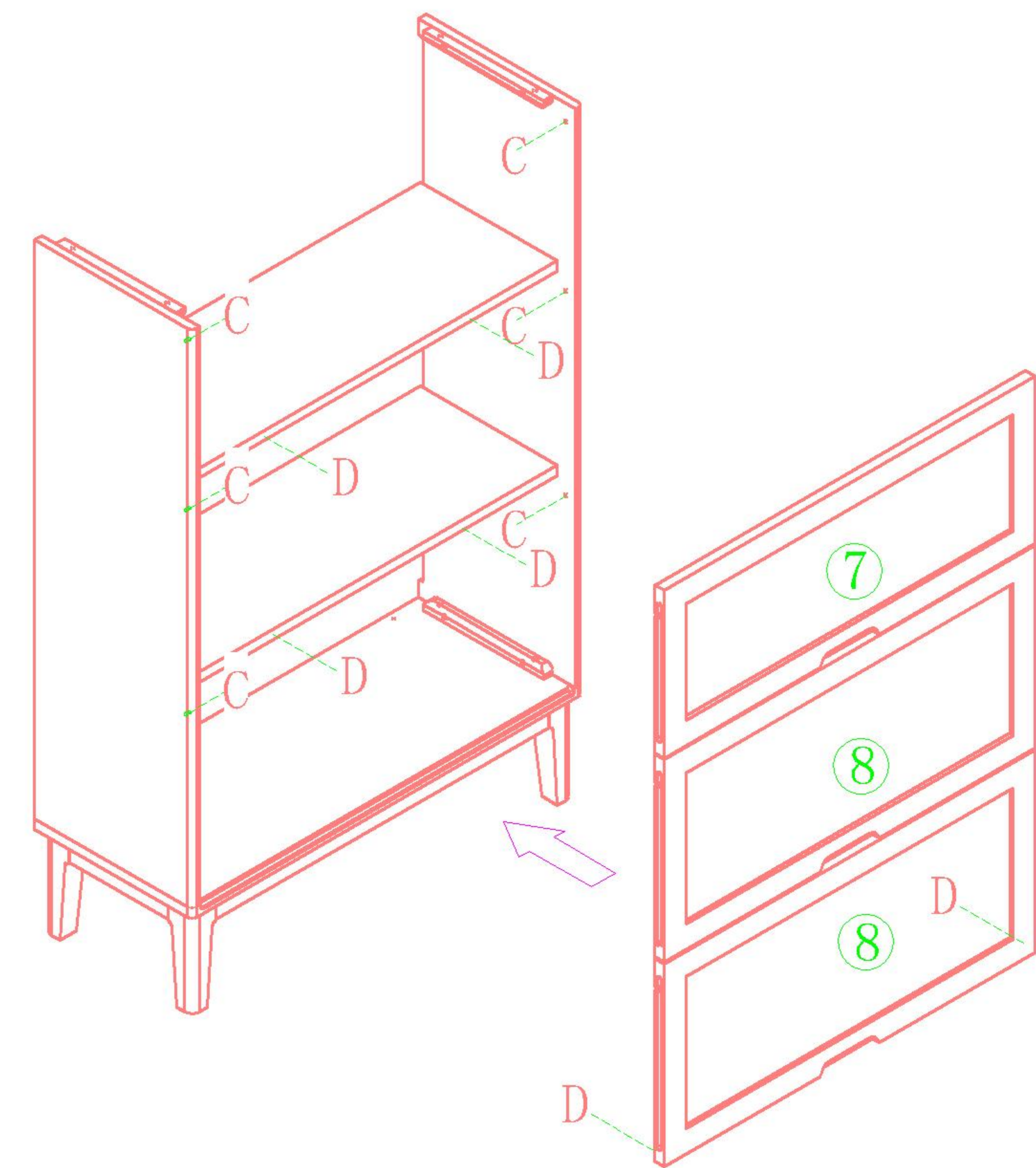
3



(C)*6




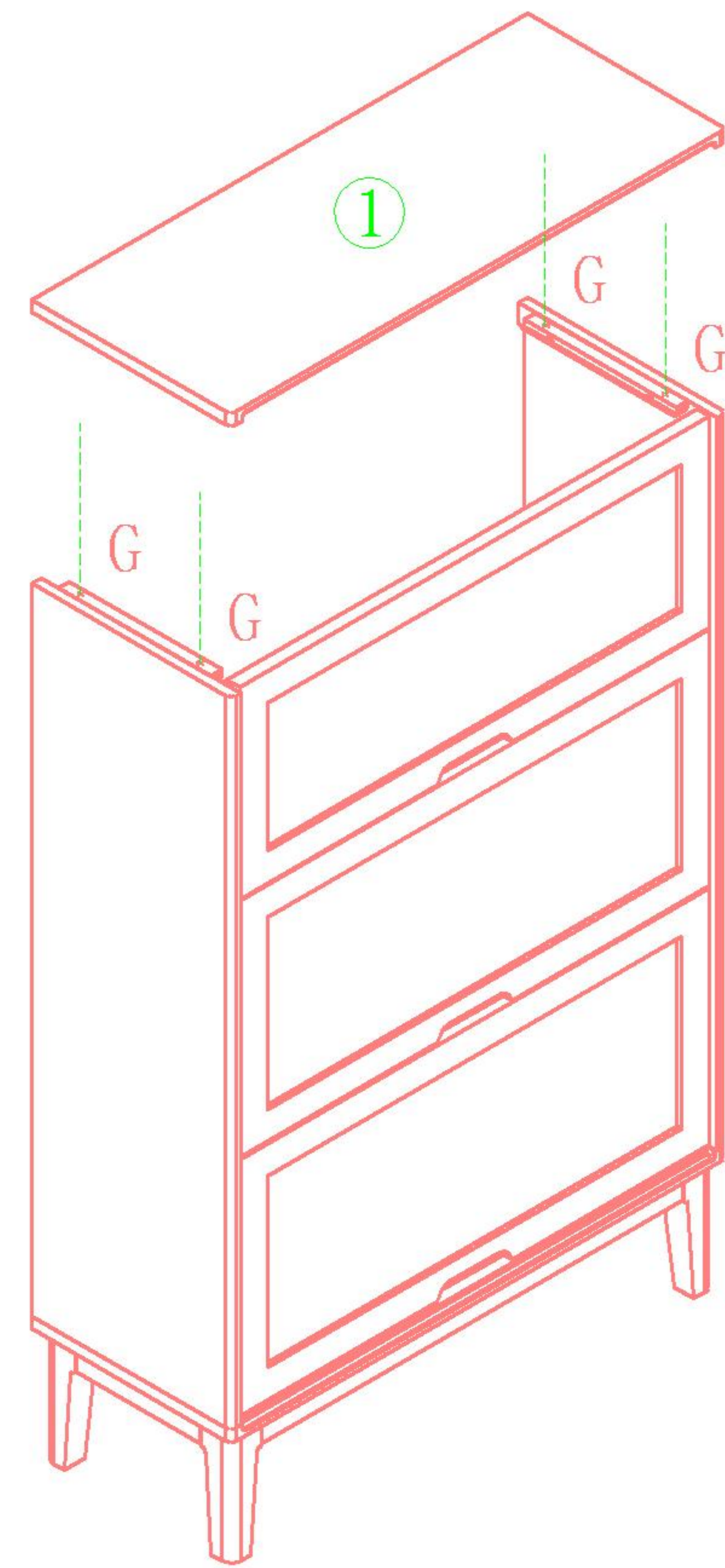
(D)*6




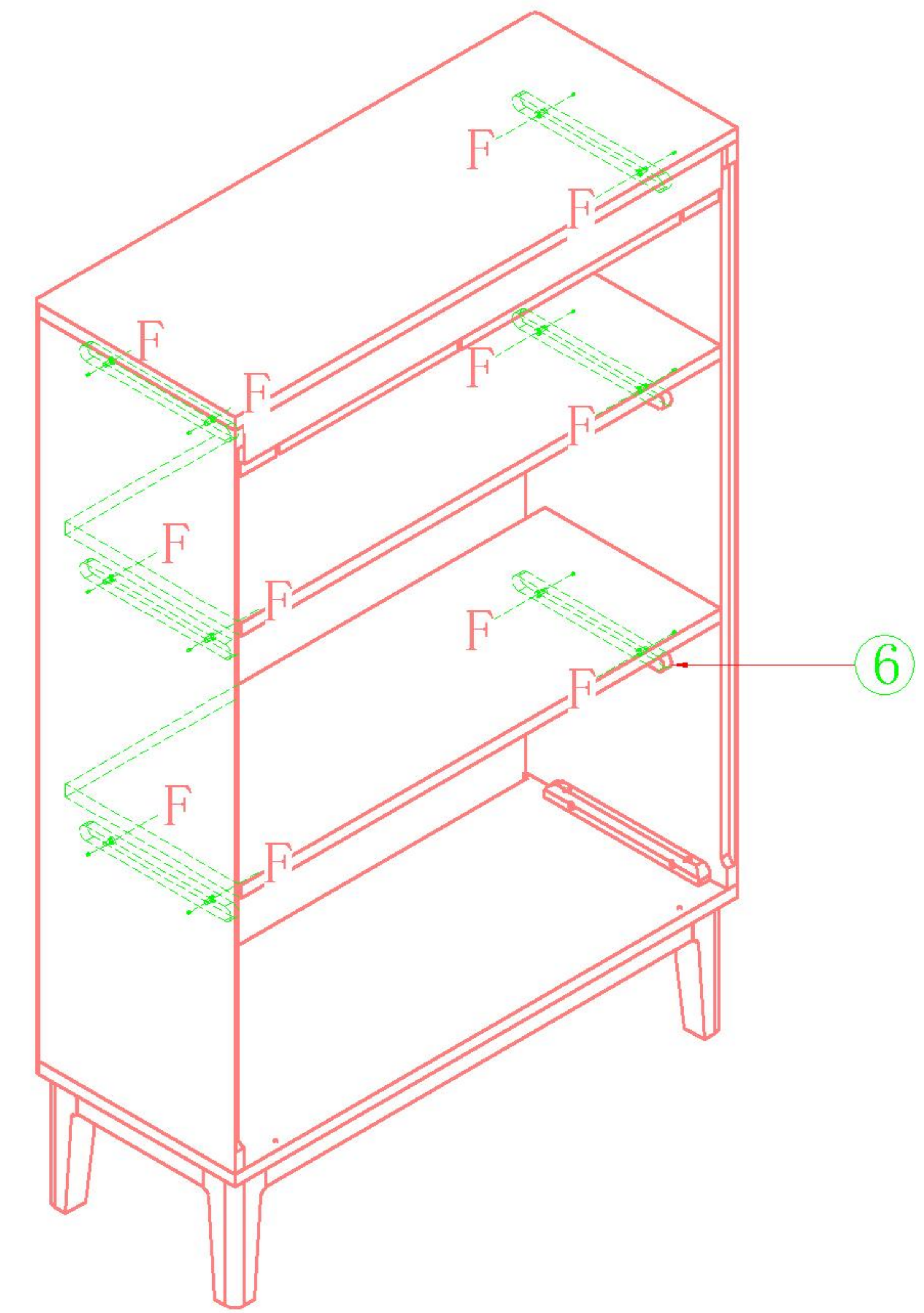
4


安装方法/
Installation method

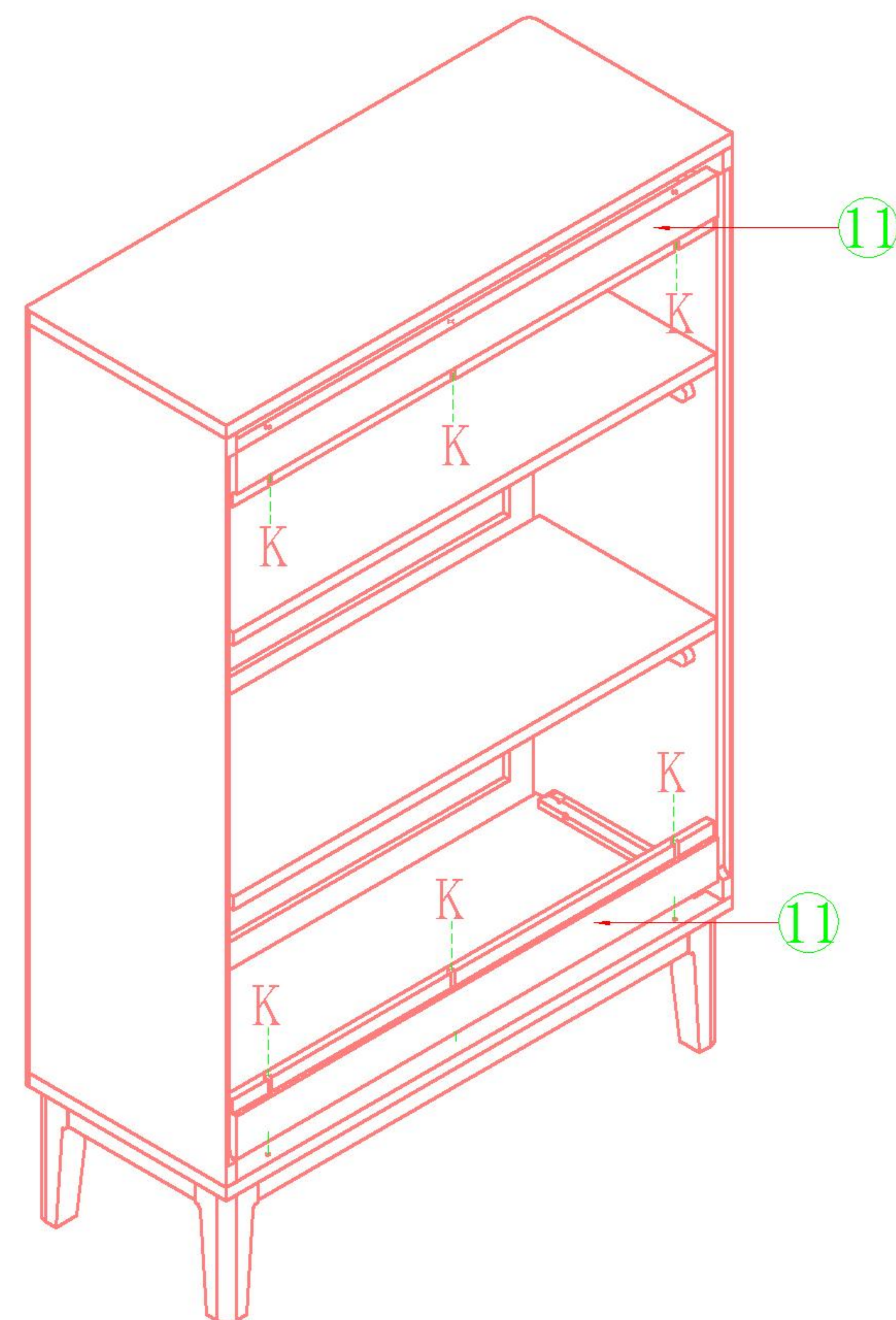

(G)*4




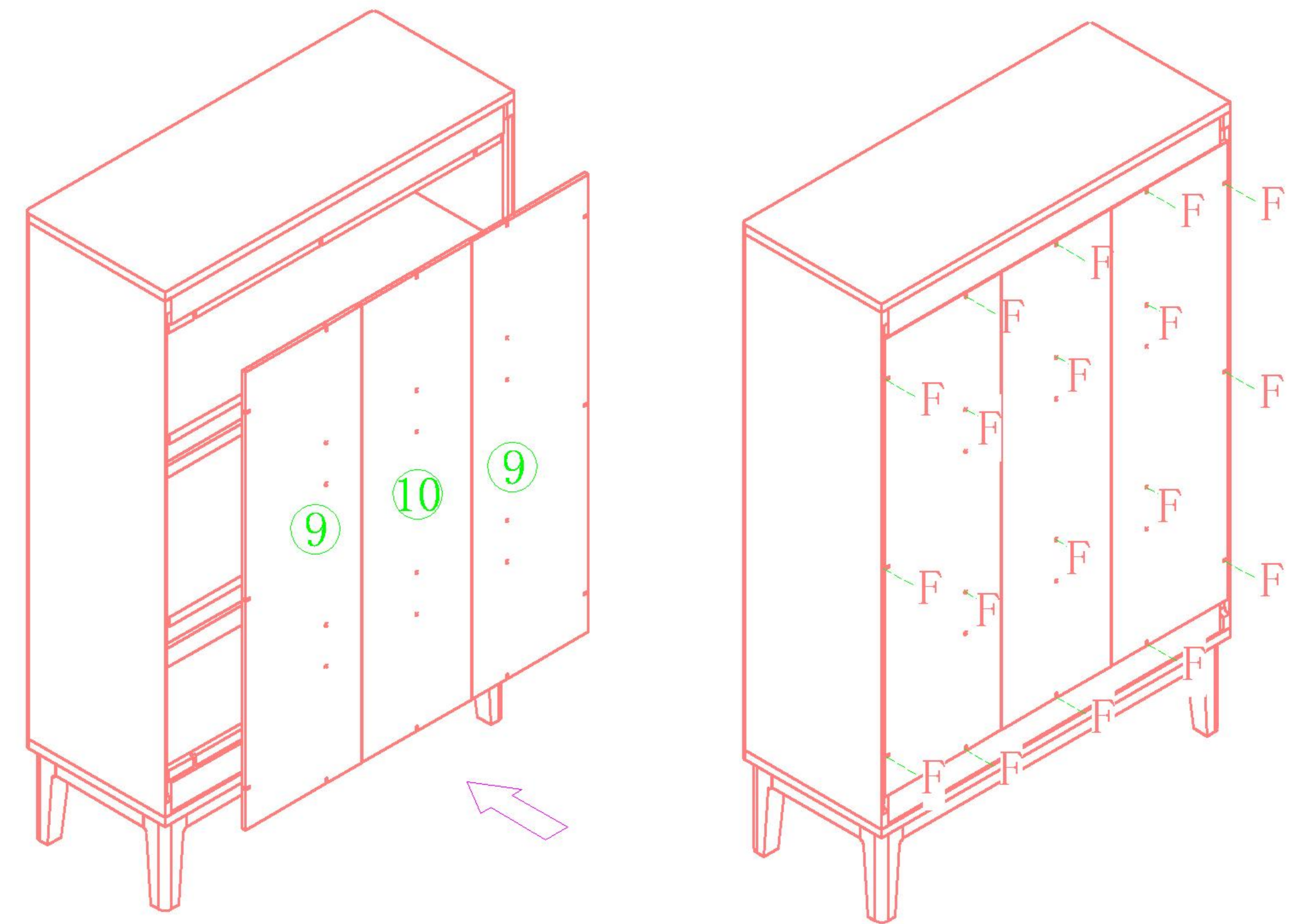
5 
(F)*12





(K)*6



7 
(F)*18



安装方法/
Installation method


(B)*2

