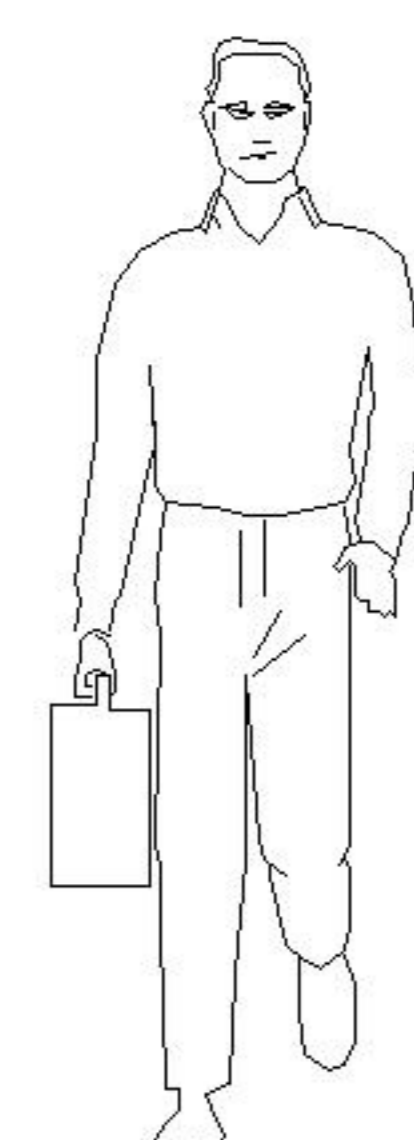
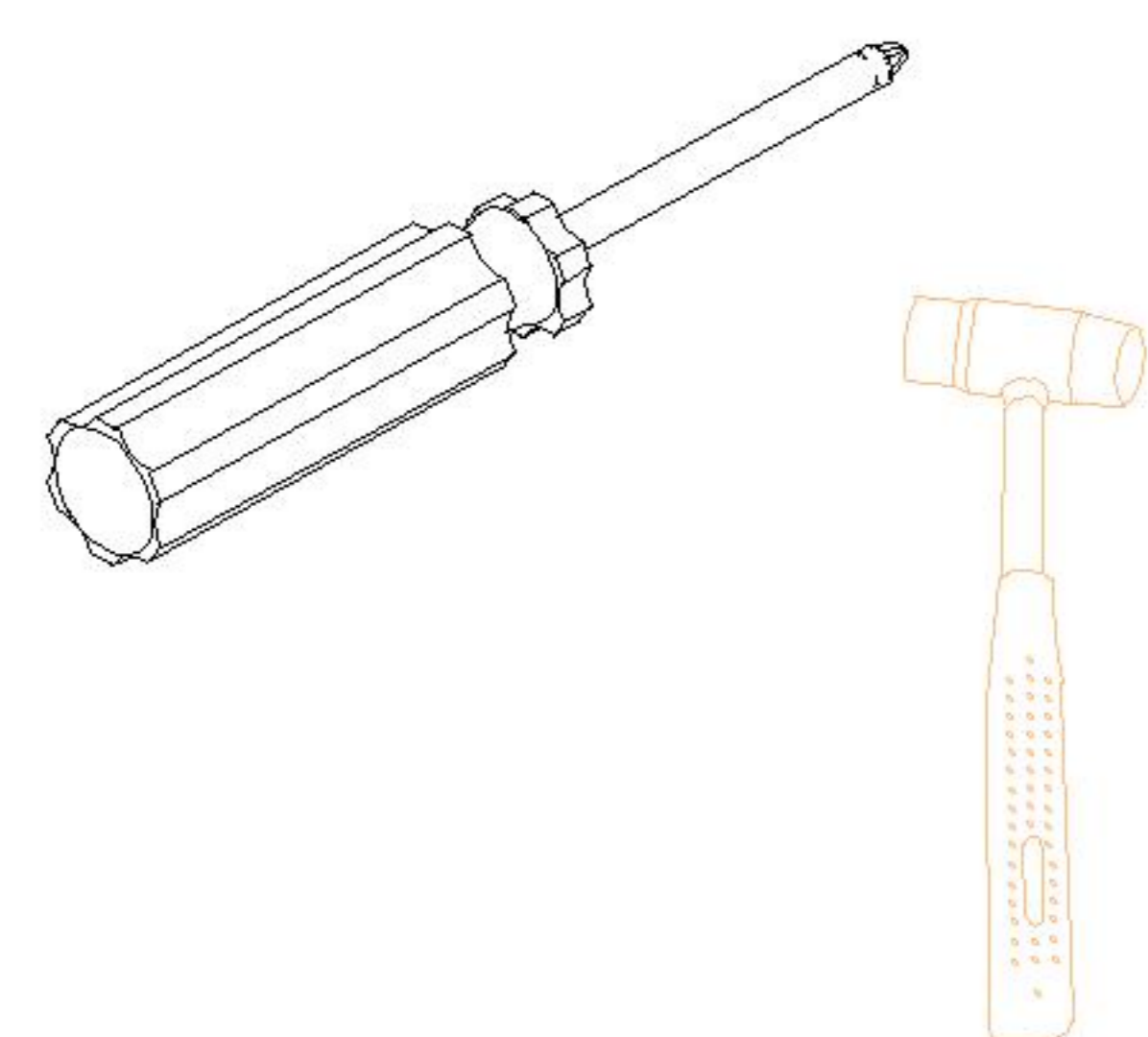
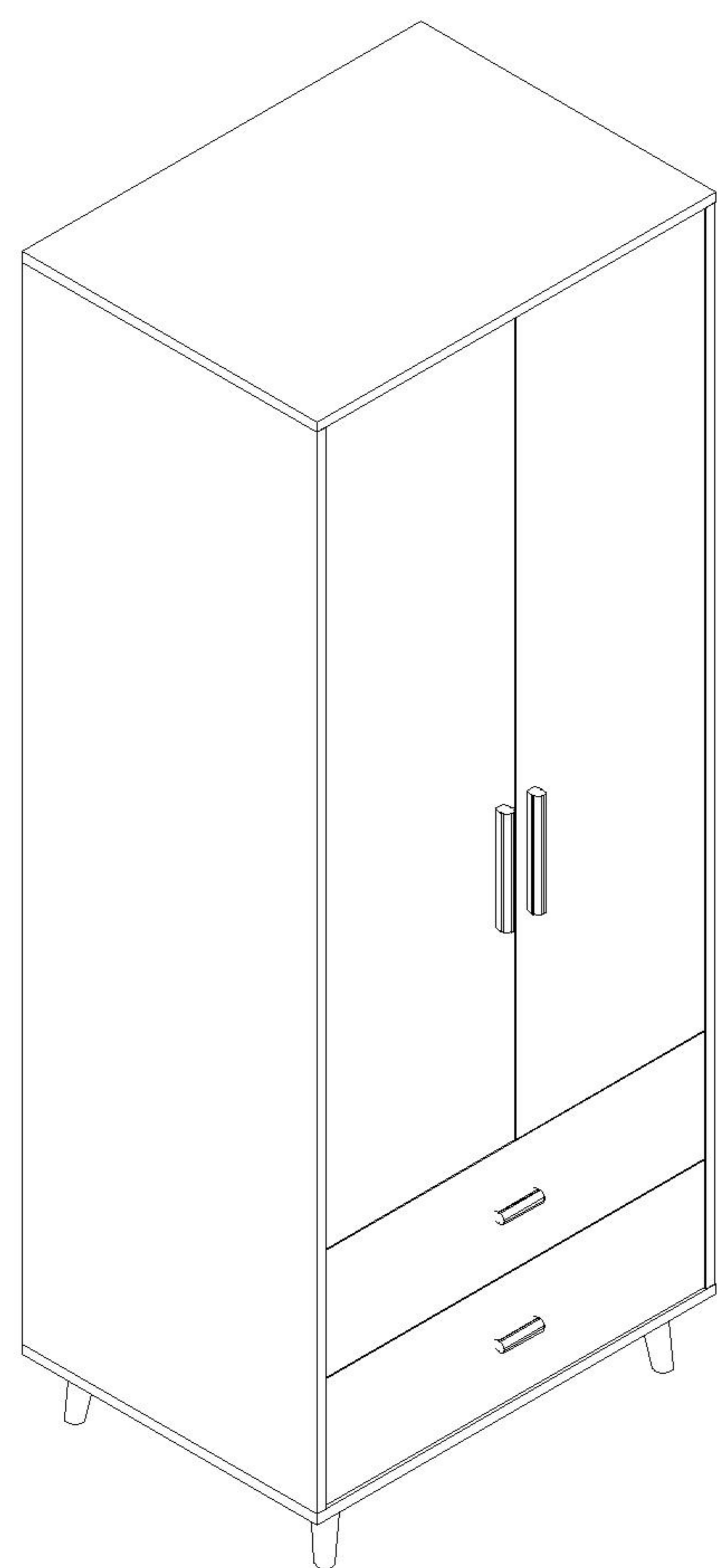



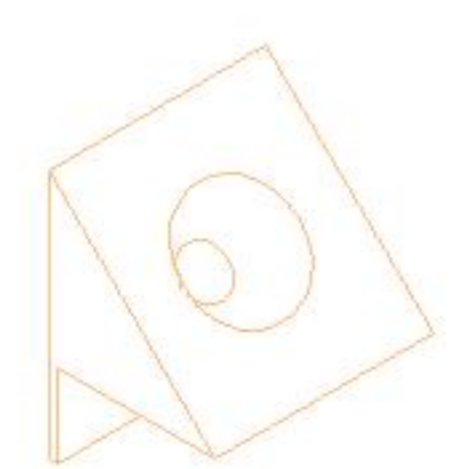
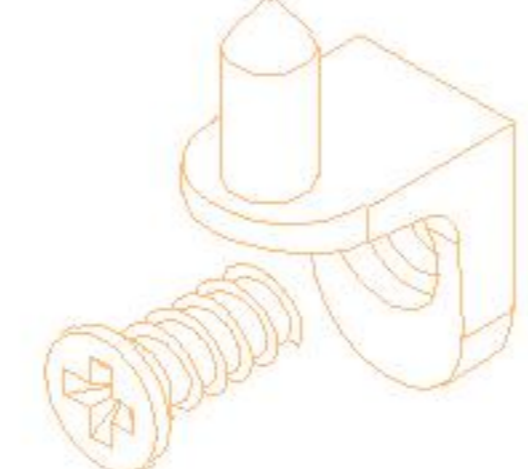
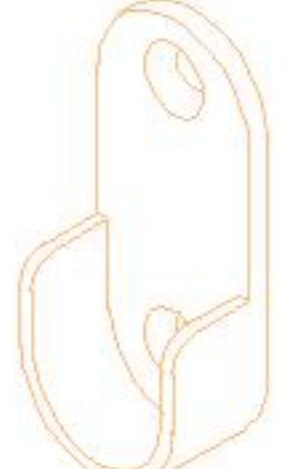

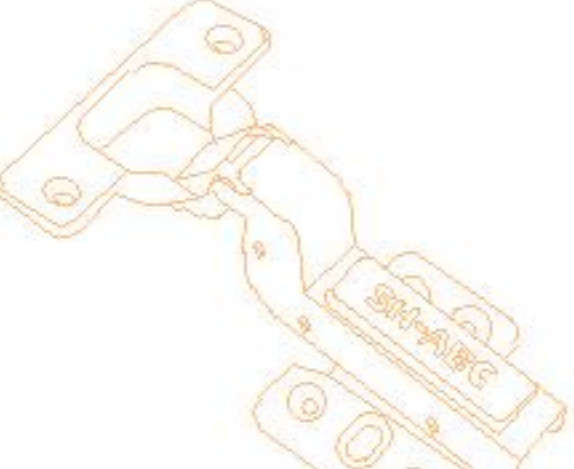

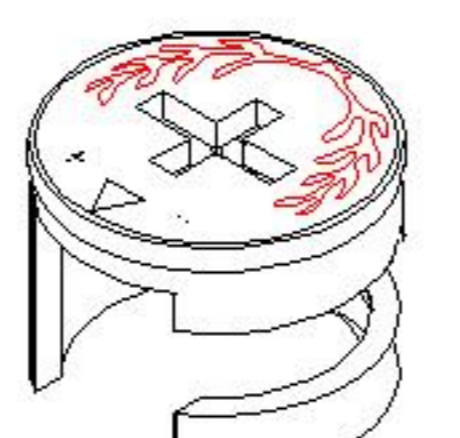
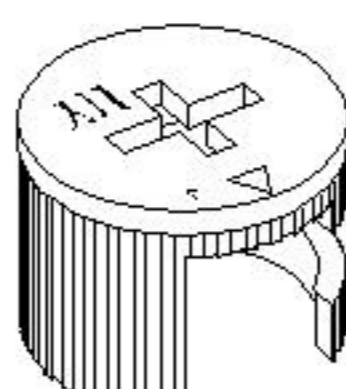
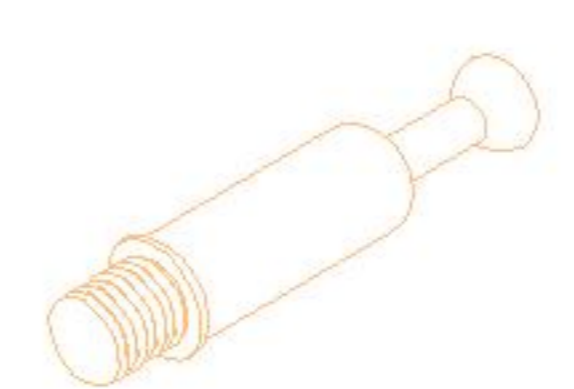

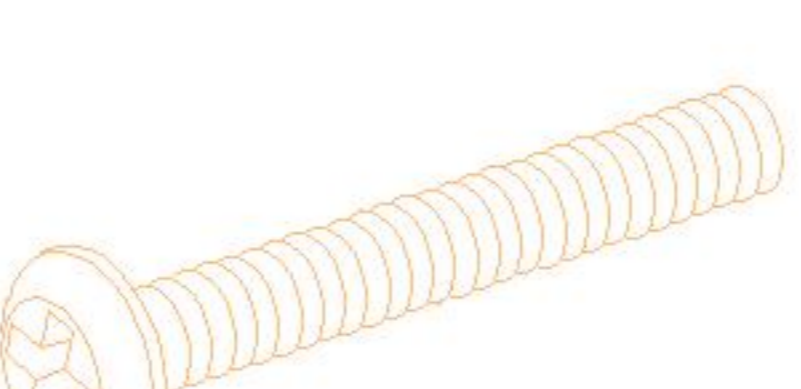
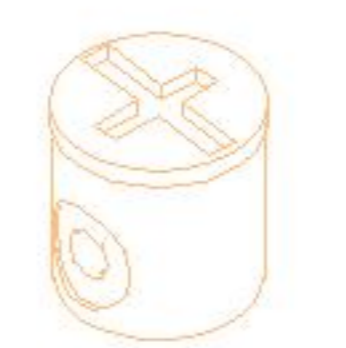
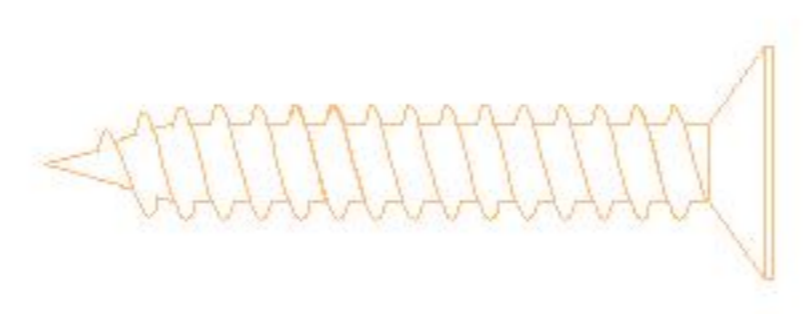
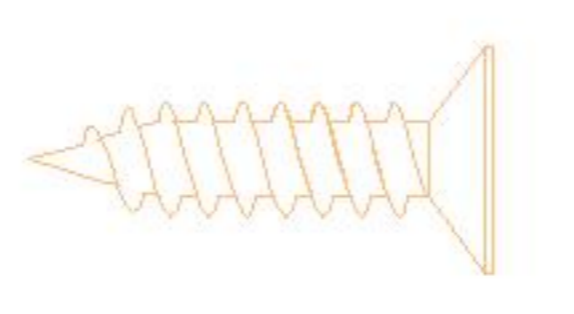
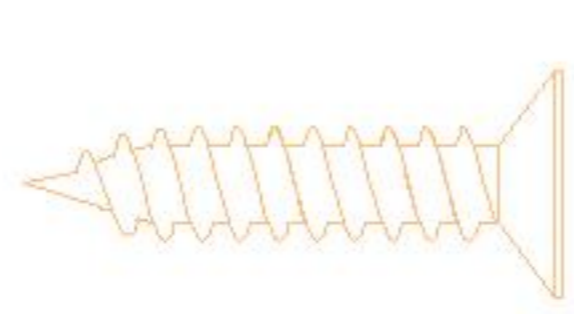
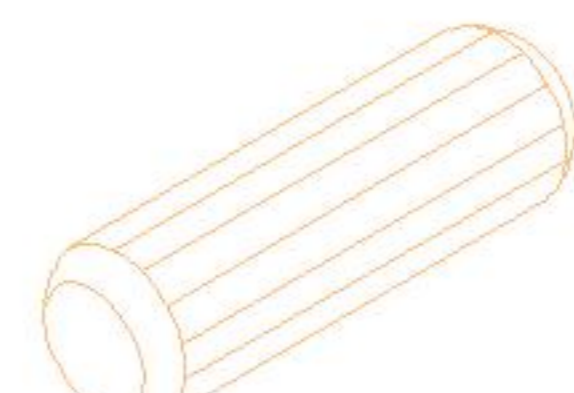
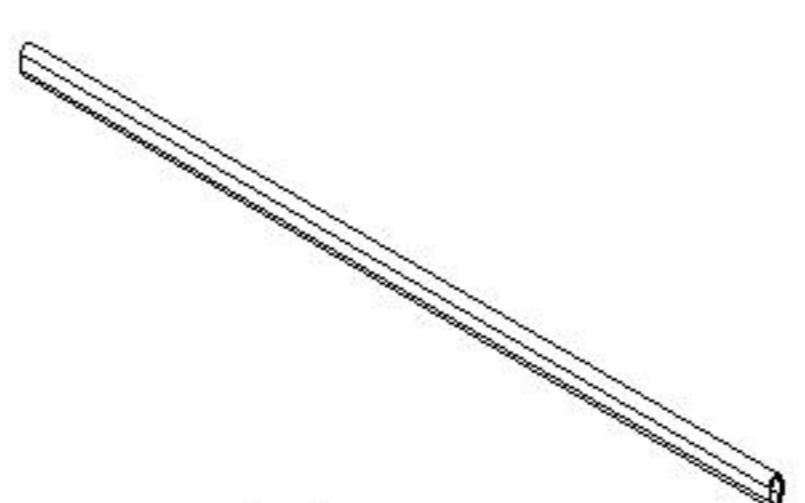
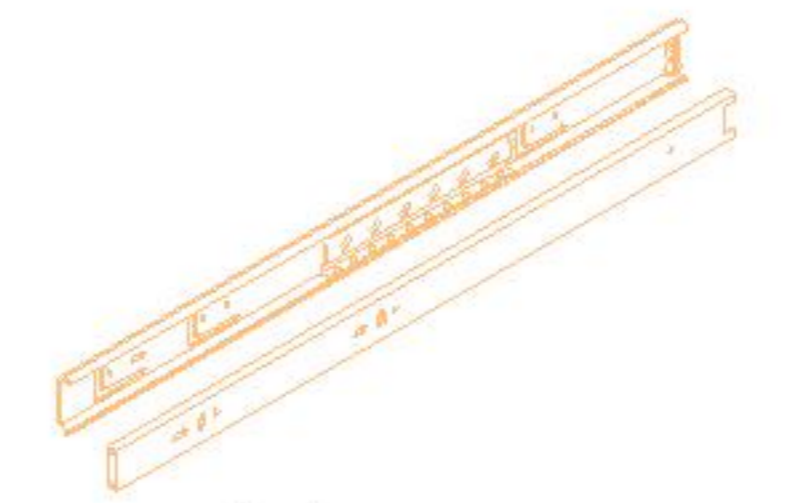
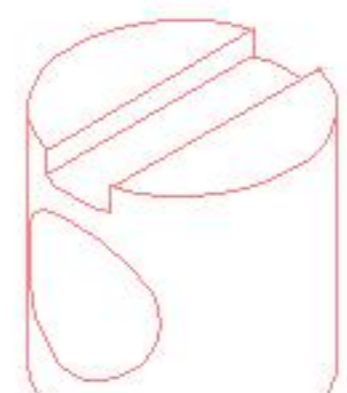
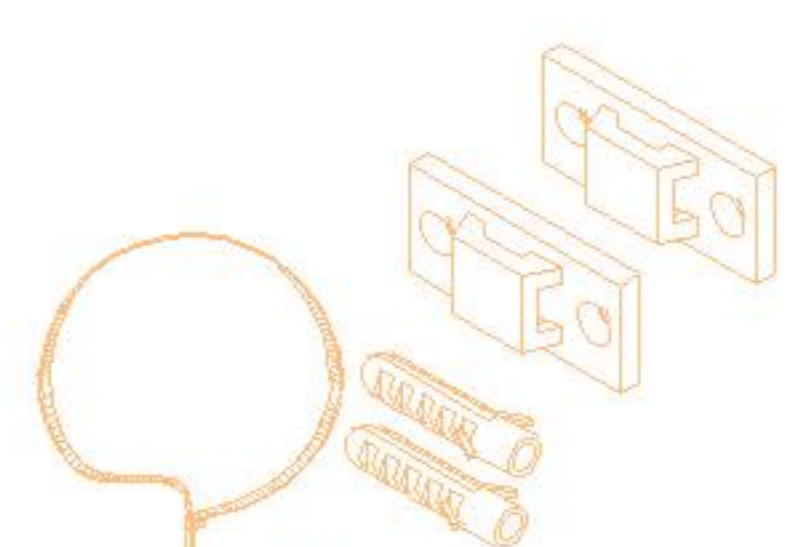
安装示意图/Assembly Instruction

产品名称 Model NO.	JC18D-A1 (0.8m)
产品规格 Specification	804*617*2049mm
安装工具 Tool	安装人数 Installer



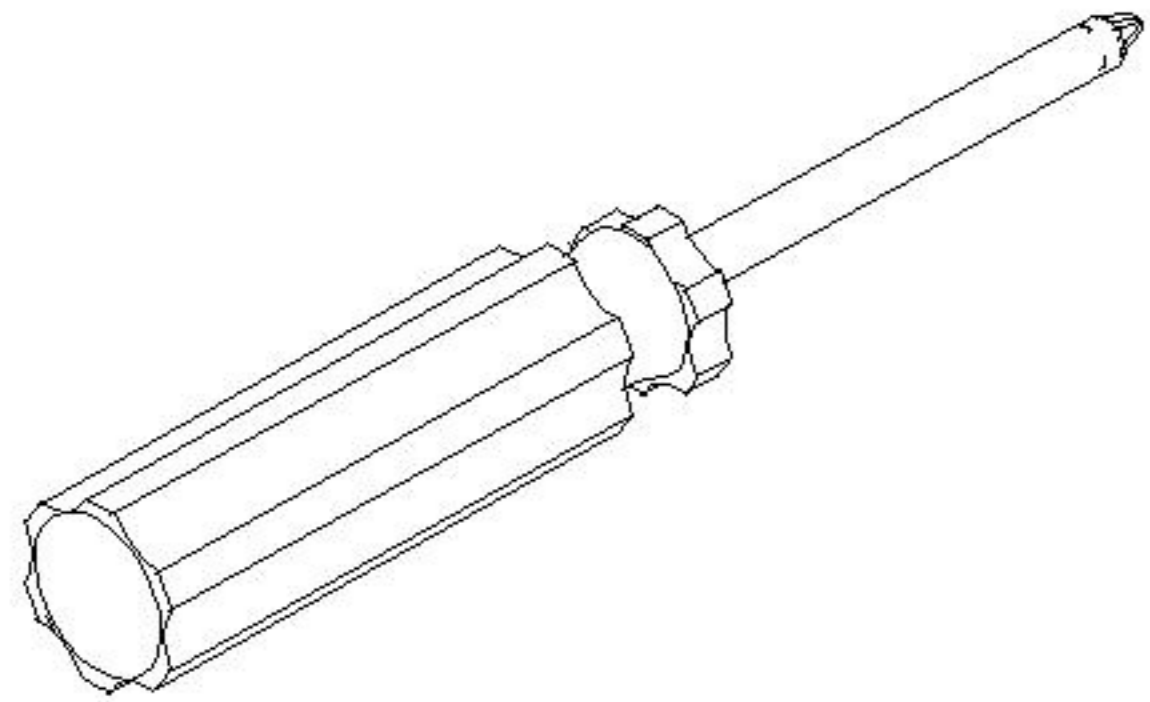
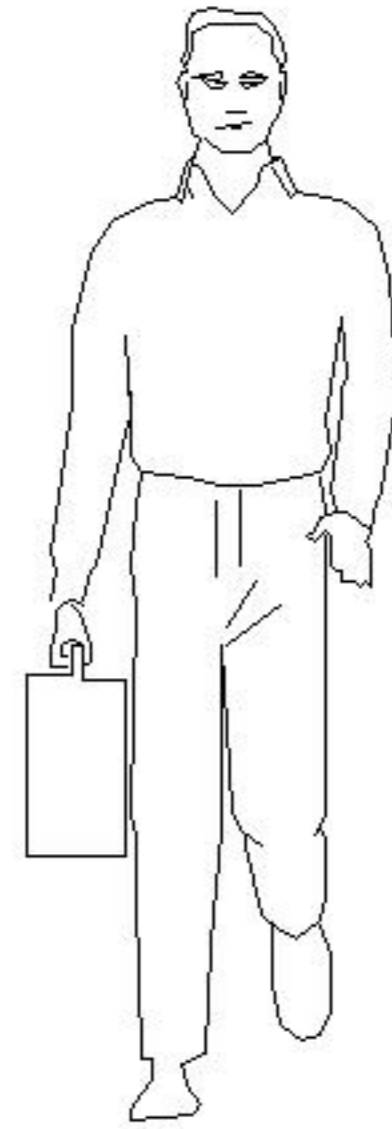
注：为保证设计效果，部分尺寸为定制尺寸，不影响使用。

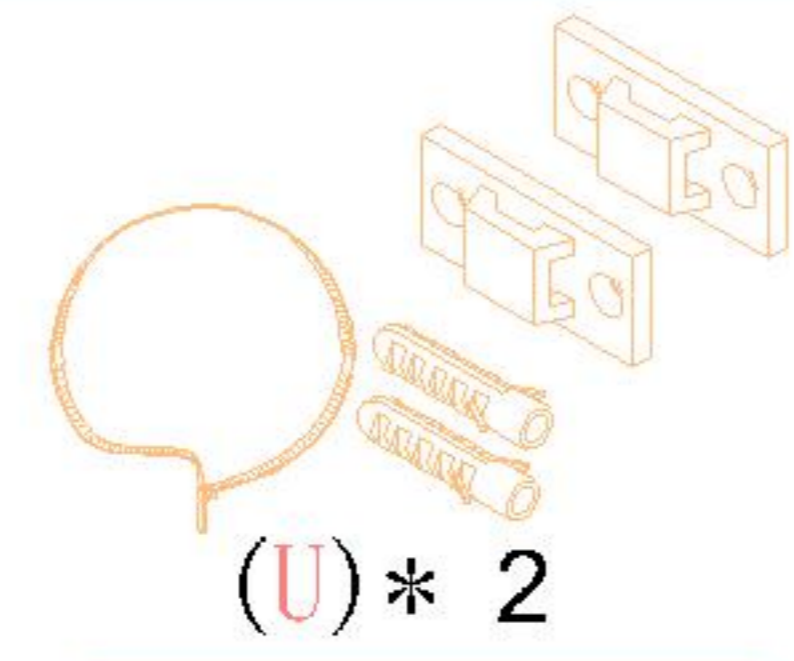


 (A)* 4 透明防滑PVC胶塞 PVC rubber plug	 (B)* 6 背板扣 Back Plate Buckle-White	 (C)* 8 层板托 shelf support	 (D)* 2 挂衣托 Clothes hanger
 (E)* 1 透气孔盖-白色 Vent cover - white	 (F)* 6 缓冲门铰大弯-Ø35 Hinge-big bends	 (G)* 25 二合一螺杆(35mm) 2-in-1-screw	 (H)* 25 大三合一锁饼 Three-in-one large lock
 (I)* 13 小三合一锁饼 small three-in-one lock	 (J)* 13 小二合一杆7*28 small two-in-one rod	 (K)* 8 拉手螺丝-M4x30mm pulling screw	 (L)* 4 斜边十字螺杆-M8x55 bevel cross screw
 (M)* 13 塑料螺母 Plastic Nut	 (N)* 13 自攻螺丝M4x40mm	 (O)* 29 自攻螺丝M3.5x12mm	 (P)* 6 自攻螺丝M3.5x16mm
 (Q)* 8 木榫Ø8x30mm wood tenon	 (R)* 1 挂衣杆-L=758mm Clothes hanger	 (S)* 2 三节滚珠导轨-14" three-section ball rail	 (T)* 4 锤母-(M8*15mm) Hammer nut
 (U)* 2 家具防倒器-白色 Anti-fall device white			

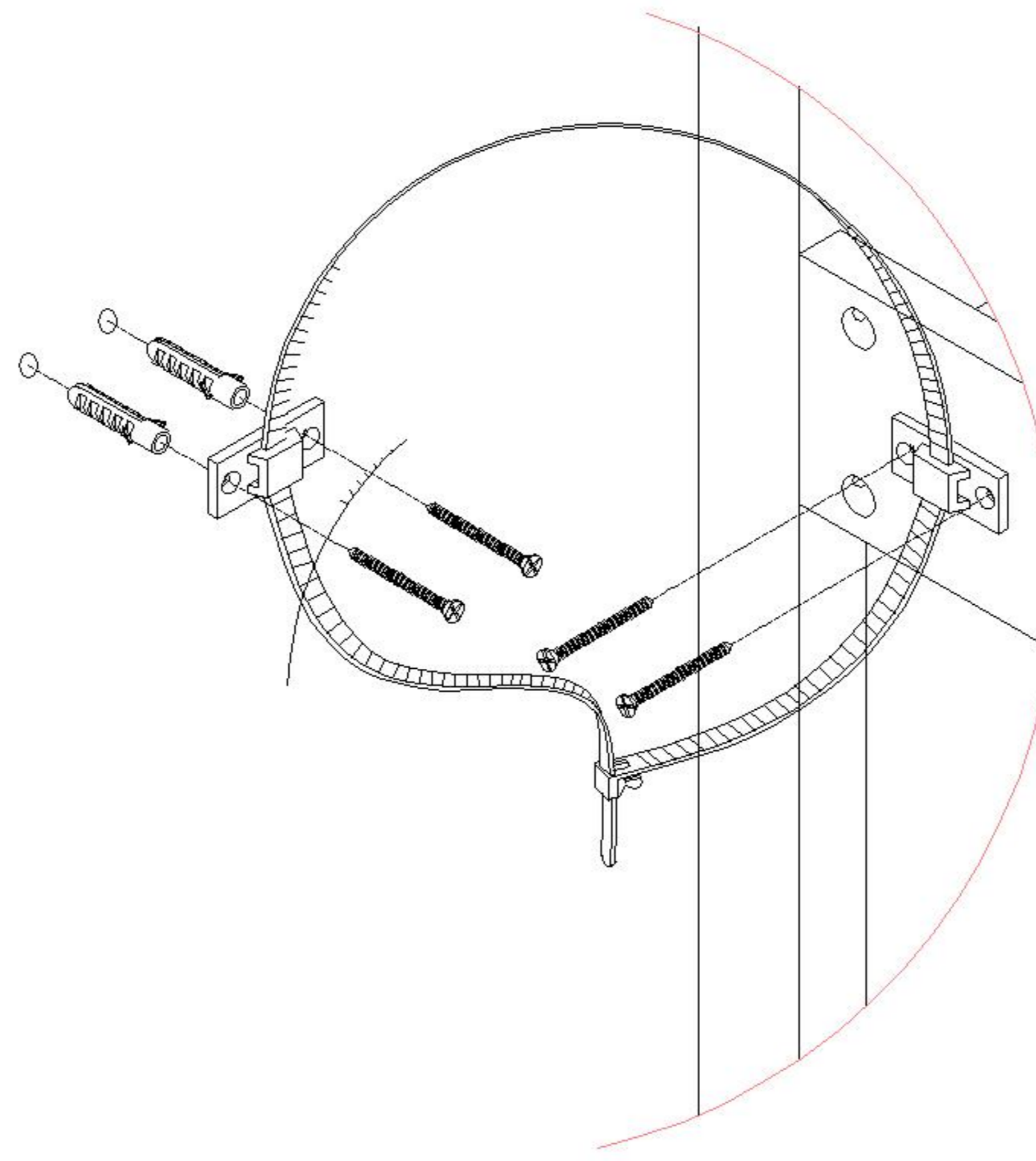
编号NO.	名称Name	规格 (mm) Specification	数量QTY	材质Material
①	顶板 Top board	804*594*18	1	三胺板Melamine
②	左侧板 Side board(L)	1888*594*18	1	三胺板Melamine
③	右侧板 Side board(R)	1888*594*18	1	三胺板Melamine
④	底板 Bottom board	804*594*18	1	三胺板Melamine
⑤	脚 Foot	130*46*46	4	实木Wood
⑥	活动层板 Movable shelf	765*552*18	2	三胺板Melamine
⑦	左门板 Door board(L)	1434*380*18	1	三胺板Melamine
⑧	右门板 Door board(R)	1434*380*18	1	三胺板Melamine
⑨	边背拉条 Side back brace	1888*101*15	2	三胺板Melamine
⑩	大背板 Big backboard	1898*575*5	1	三胺板Melamine
⑪	抽屉面板 Drawer's top panel	762*222*18	2	三胺板Melamine
⑫	抽屉左侧板 Drawer's side board(L)	395*142*12	2	三胺板Melamine
⑬	抽屉右侧板 Drawer's side board(R)	395*142*12	2	三胺板Melamine
⑭	抽屉后板 Drawer's Back board	716*142*12	2	三胺板Melamine
⑮	抽屉底托条 Drawer's bottom bracket	381*58*12	2	三胺板Melamine
⑯	抽屉底板 Drawer's Bottom board	726*391*5	2	三胺板Melamine
⑰	长拉手 Long handle	208*25*20	2	实木Wood
⑱	短拉手 Short handle	80*25*20	2	实木Wood

安装示意图/Assembly Instruction

产品名称 Model NO.	Anti-fall device
产品规格 Specification	-
安装工具 Tool	安装人数 Installer
	

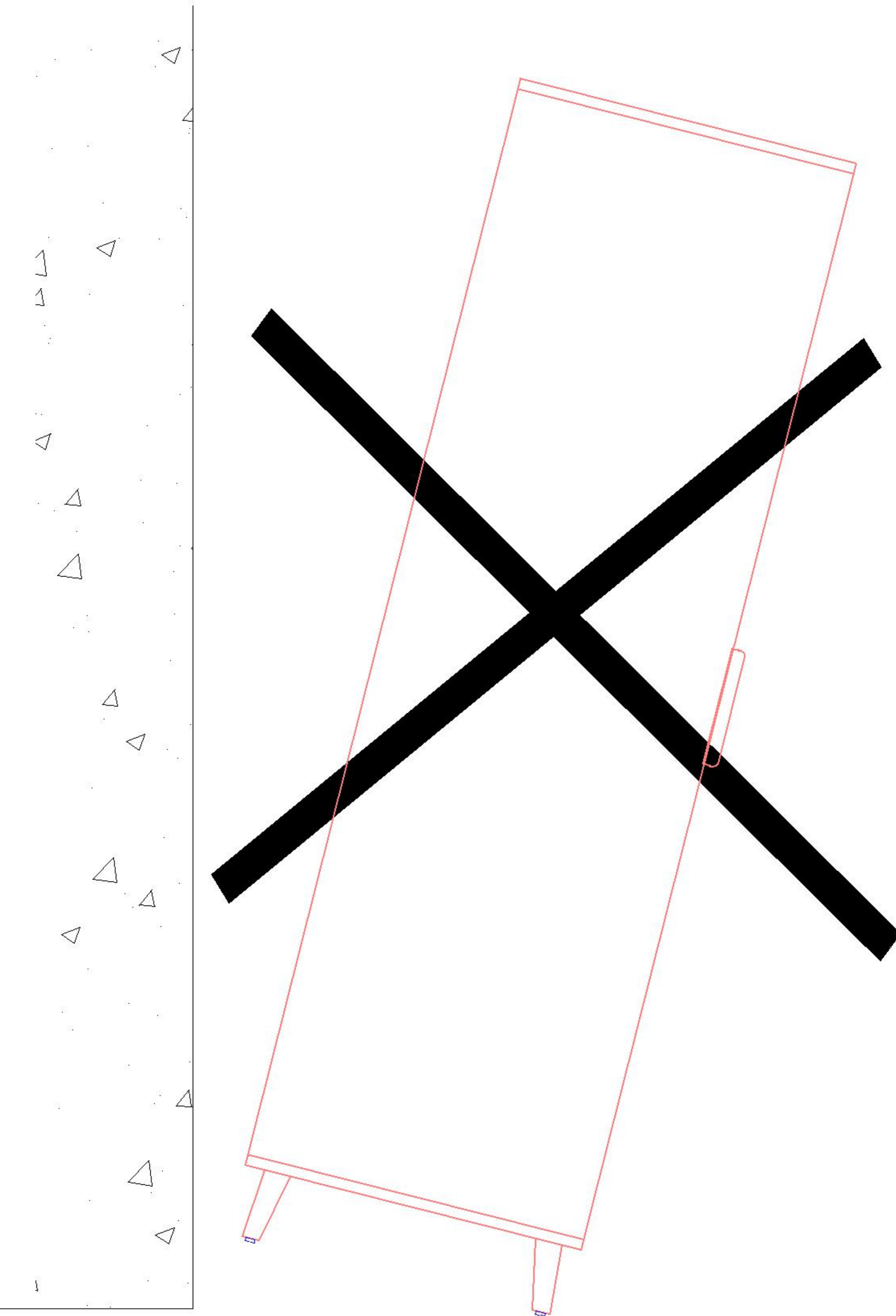
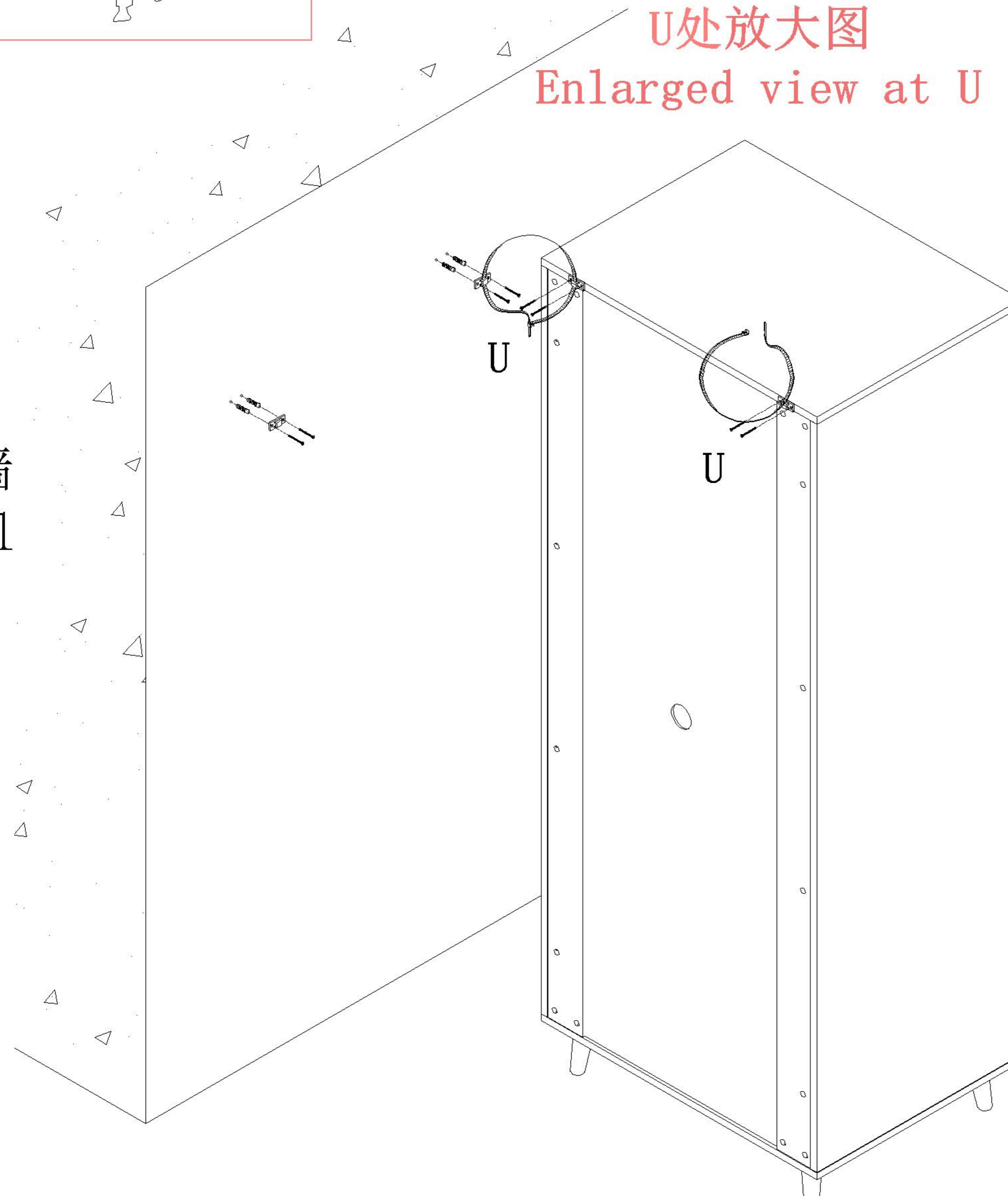


(U)* 2
家具防倒器-白色
Anti-fall device
white



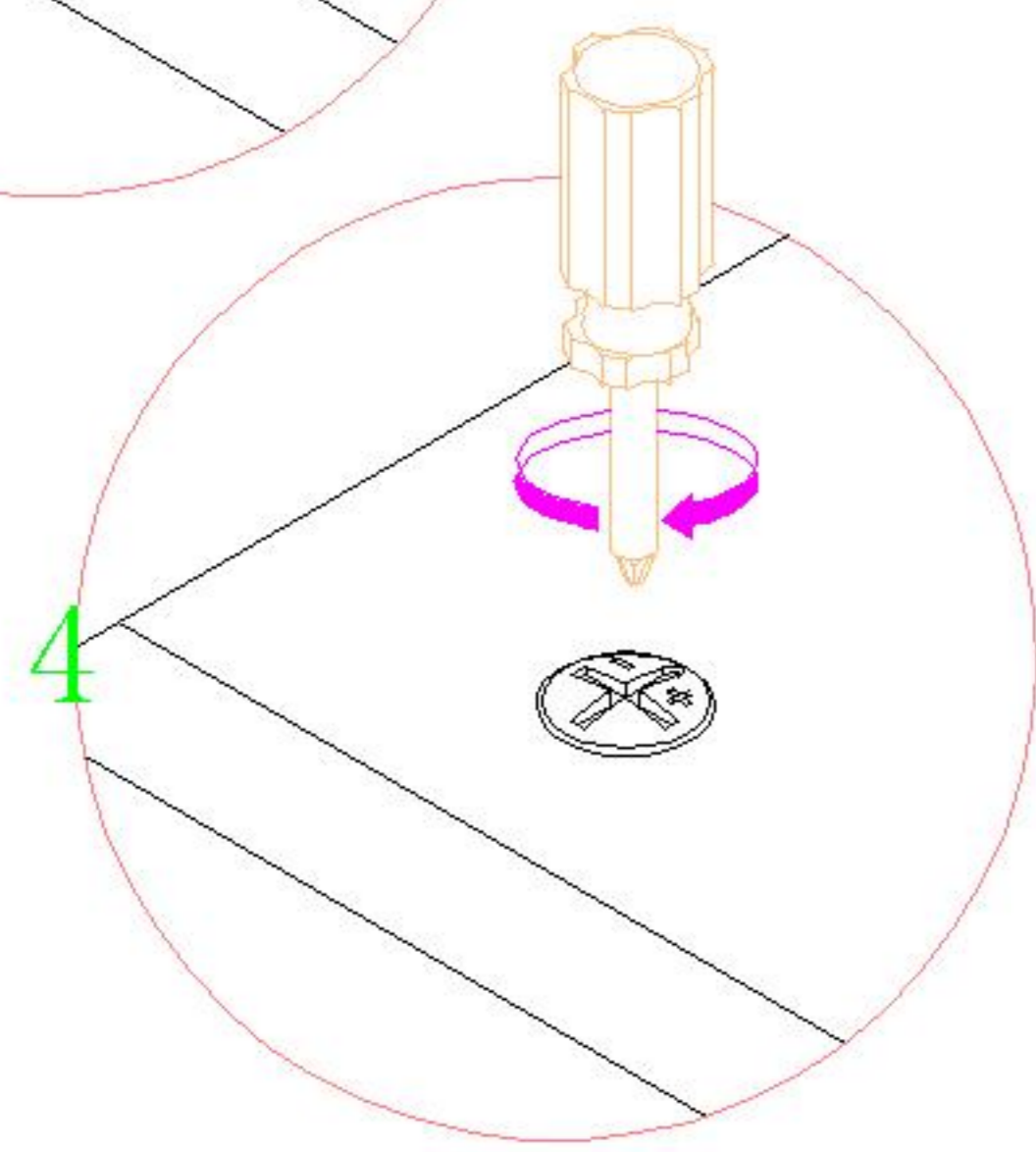
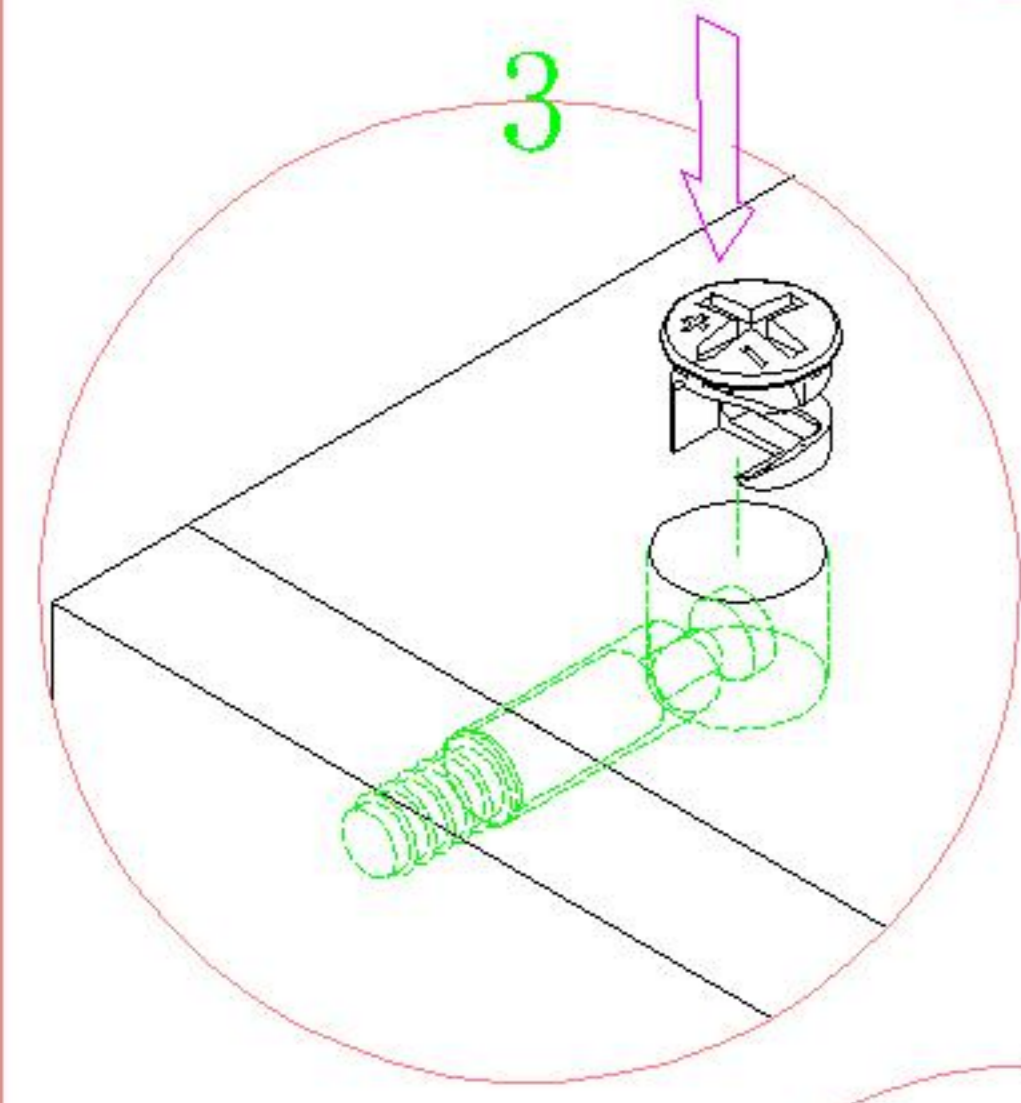
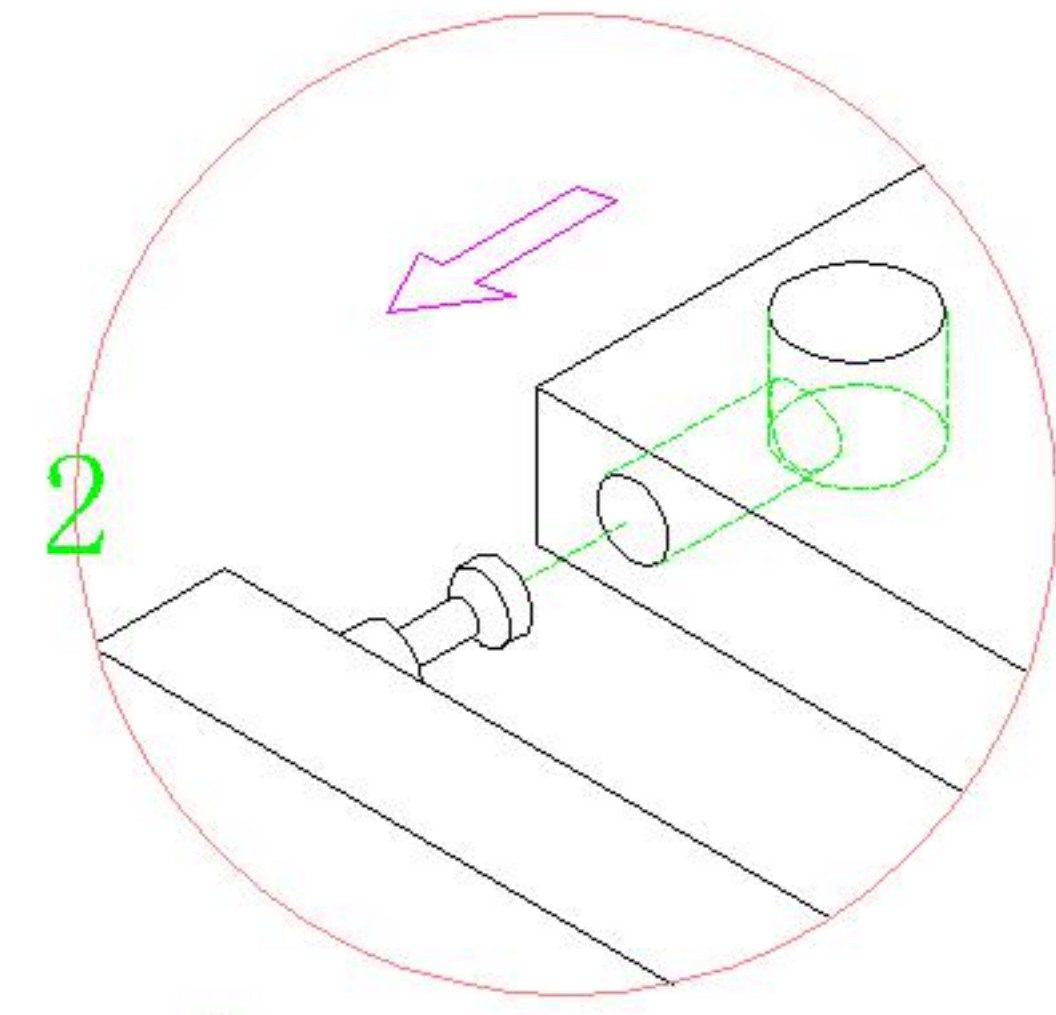
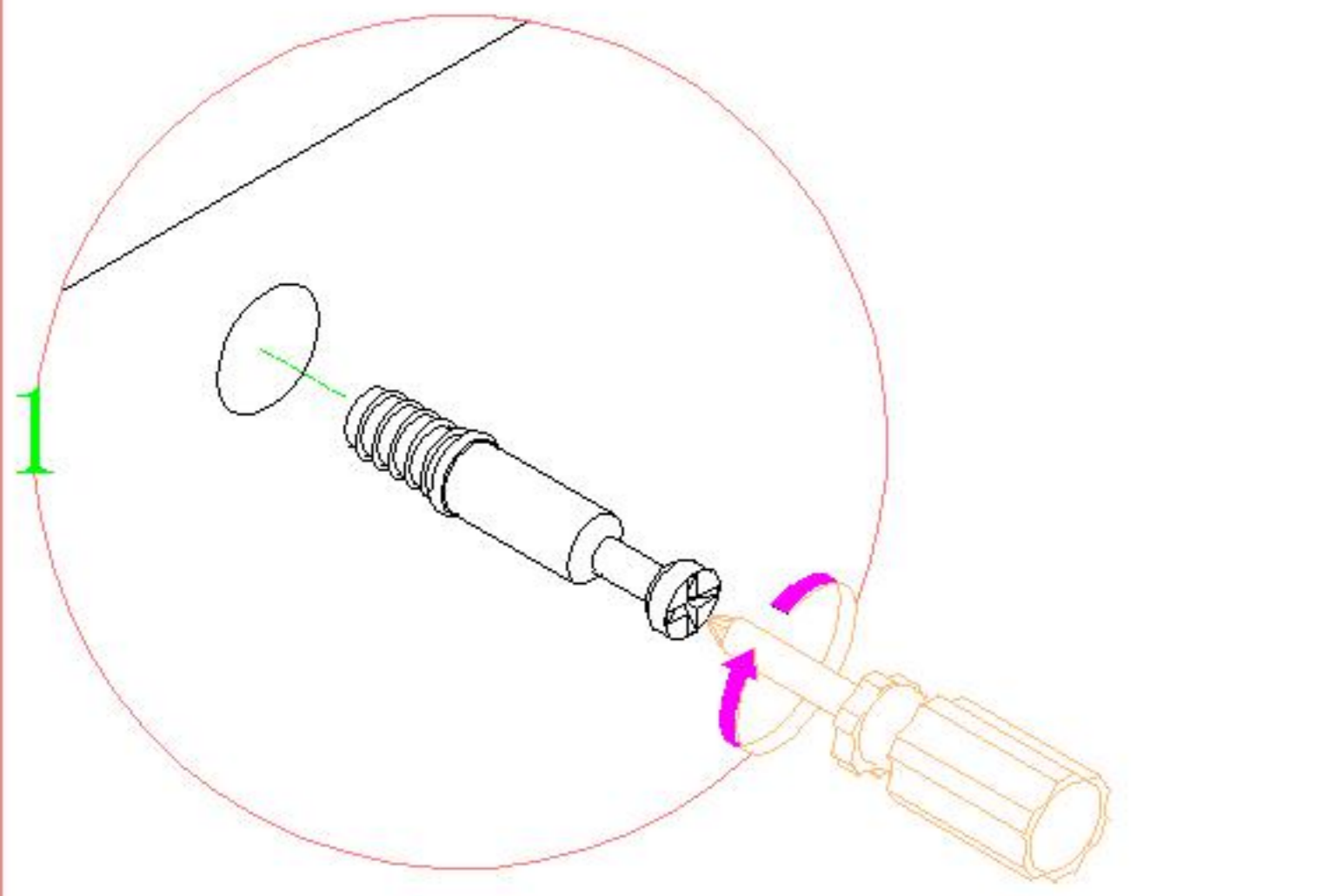
U处放大图
Enlarged view at U

实体墙
Solid wall

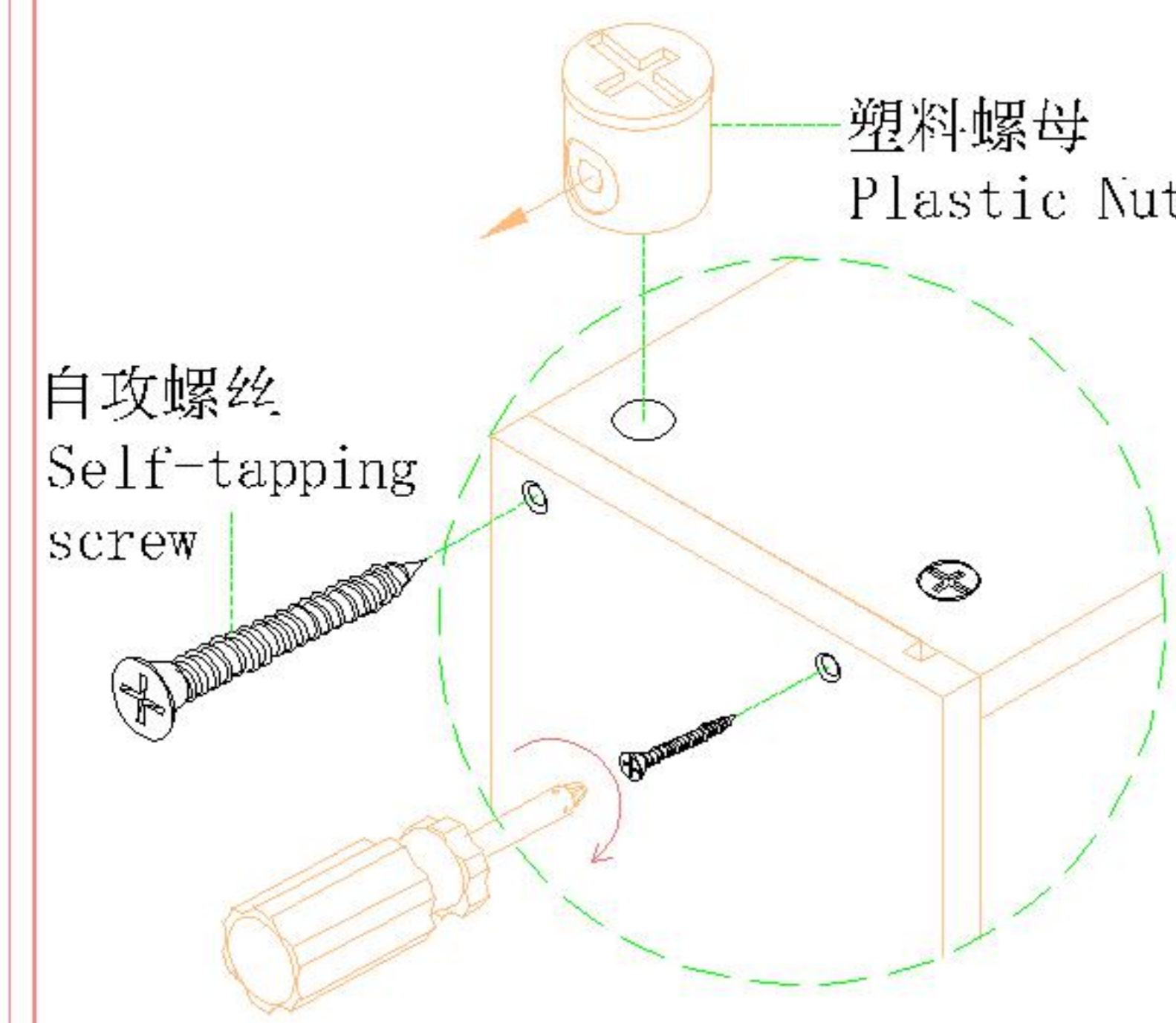


JC18D-A1 (0.8m)

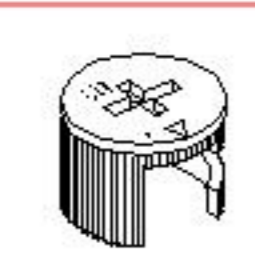
安装方法/
Installation method



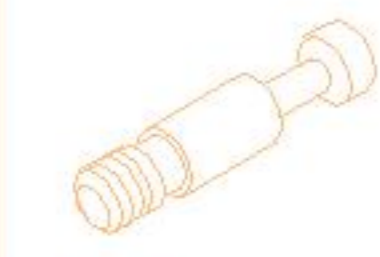
小二合一
small two-in-one



塑料螺母
Plastic Nut



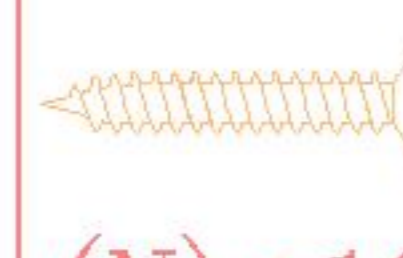
(I)*12



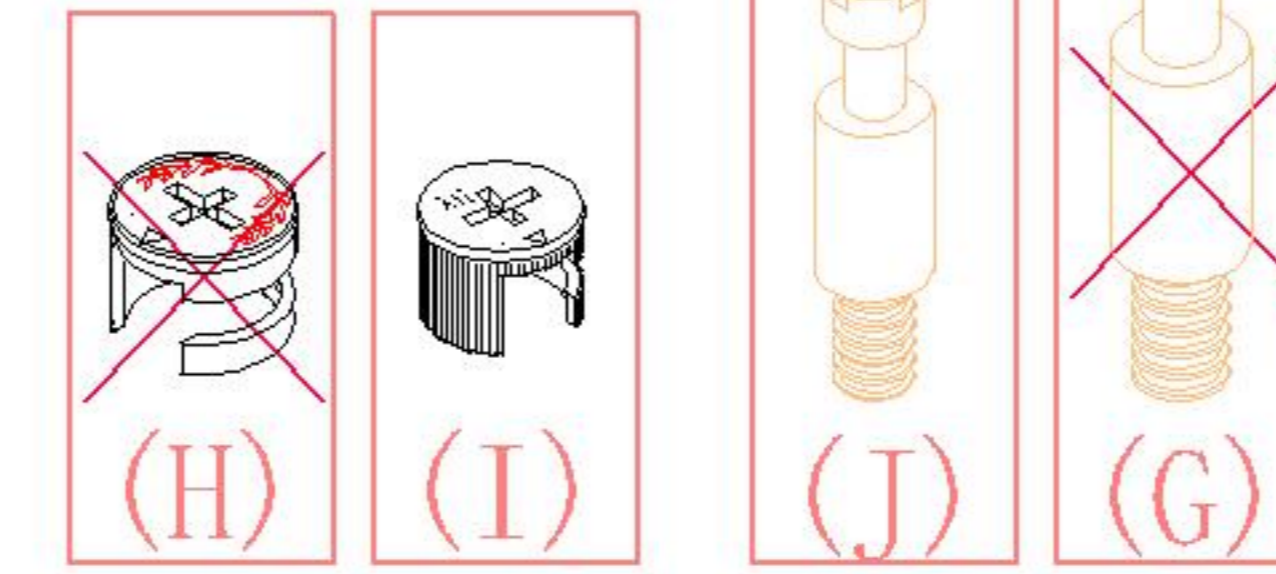
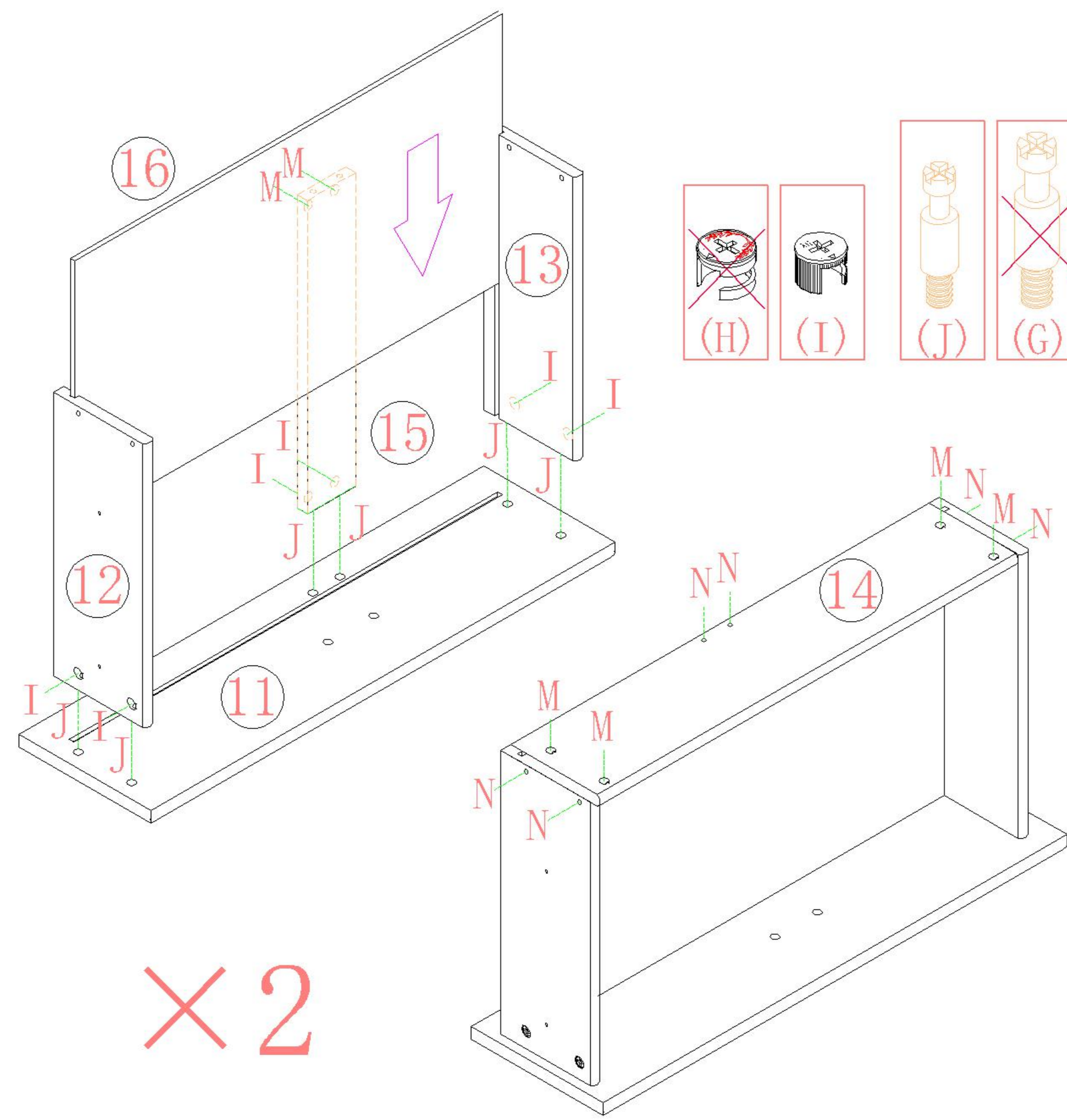
(J)*12



(M)*12



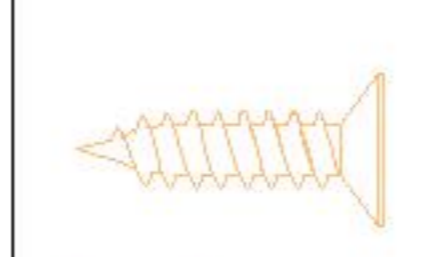
(N)*12



1



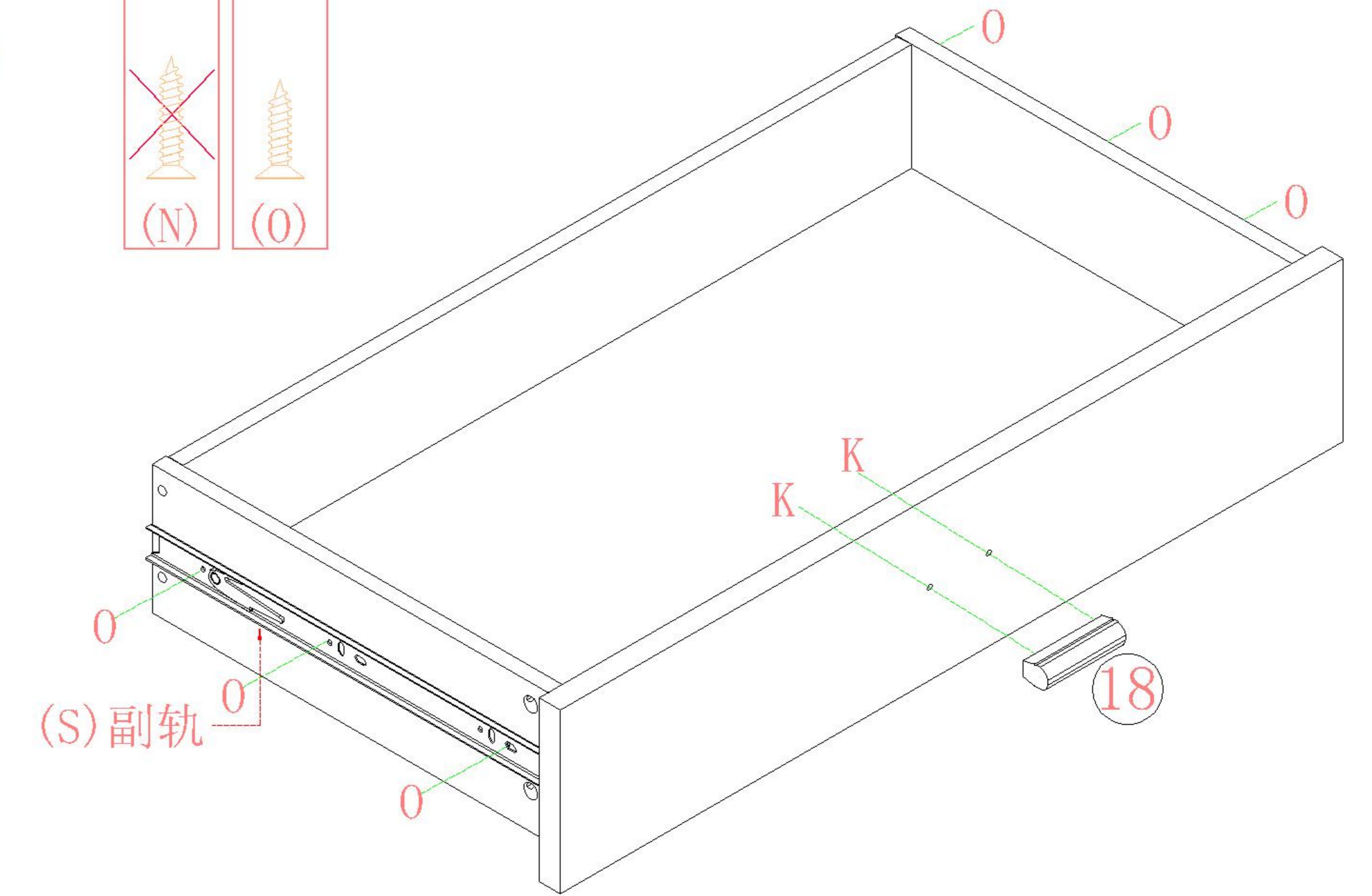
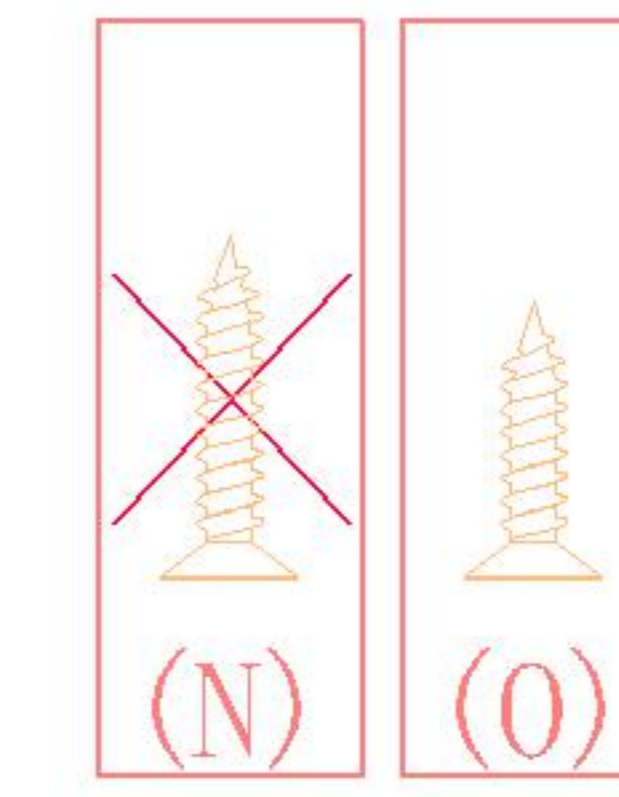
(K)*4



(O)*12



(S)*2



2



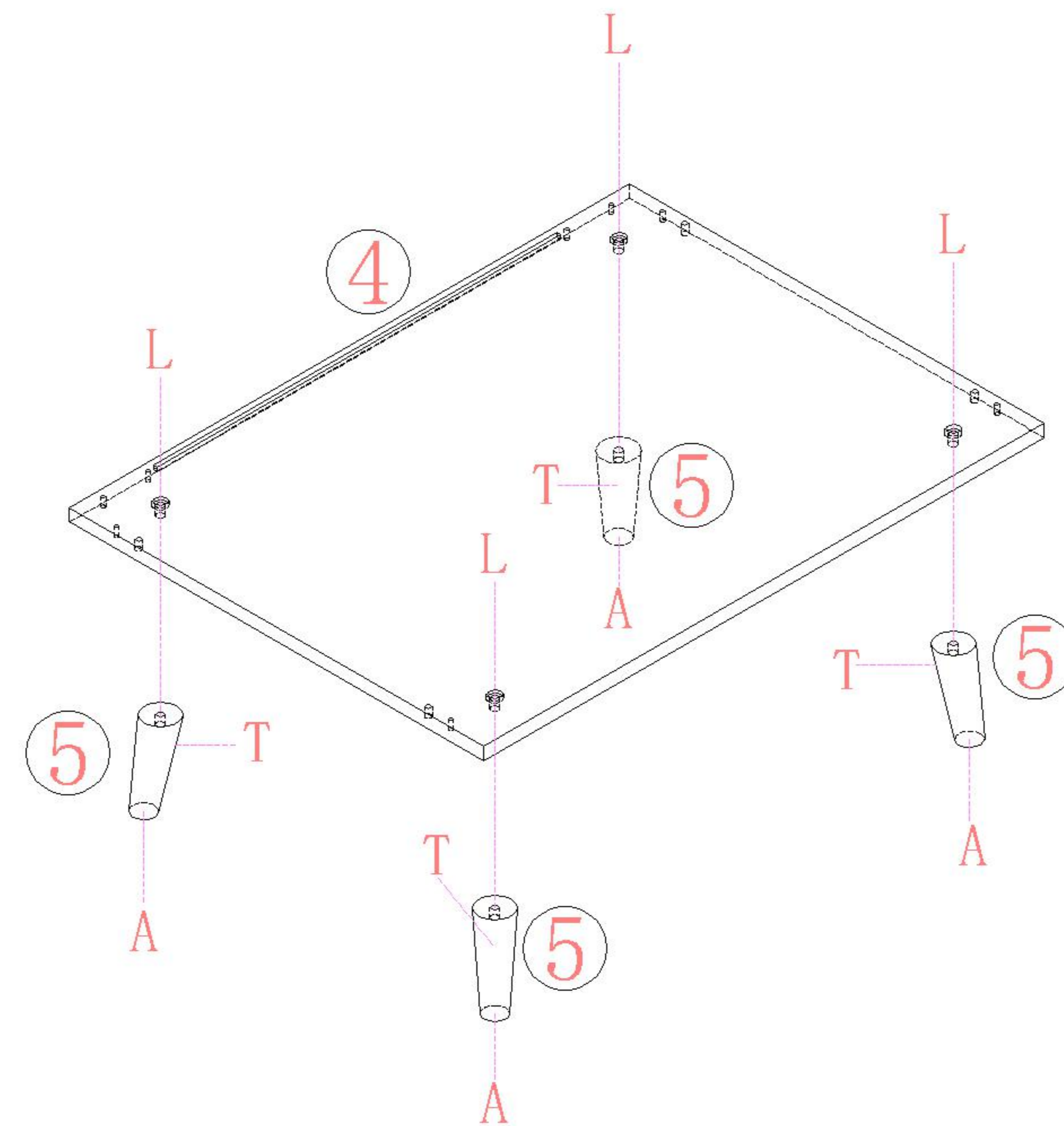
(A)*4



(L)*4



(T)*4



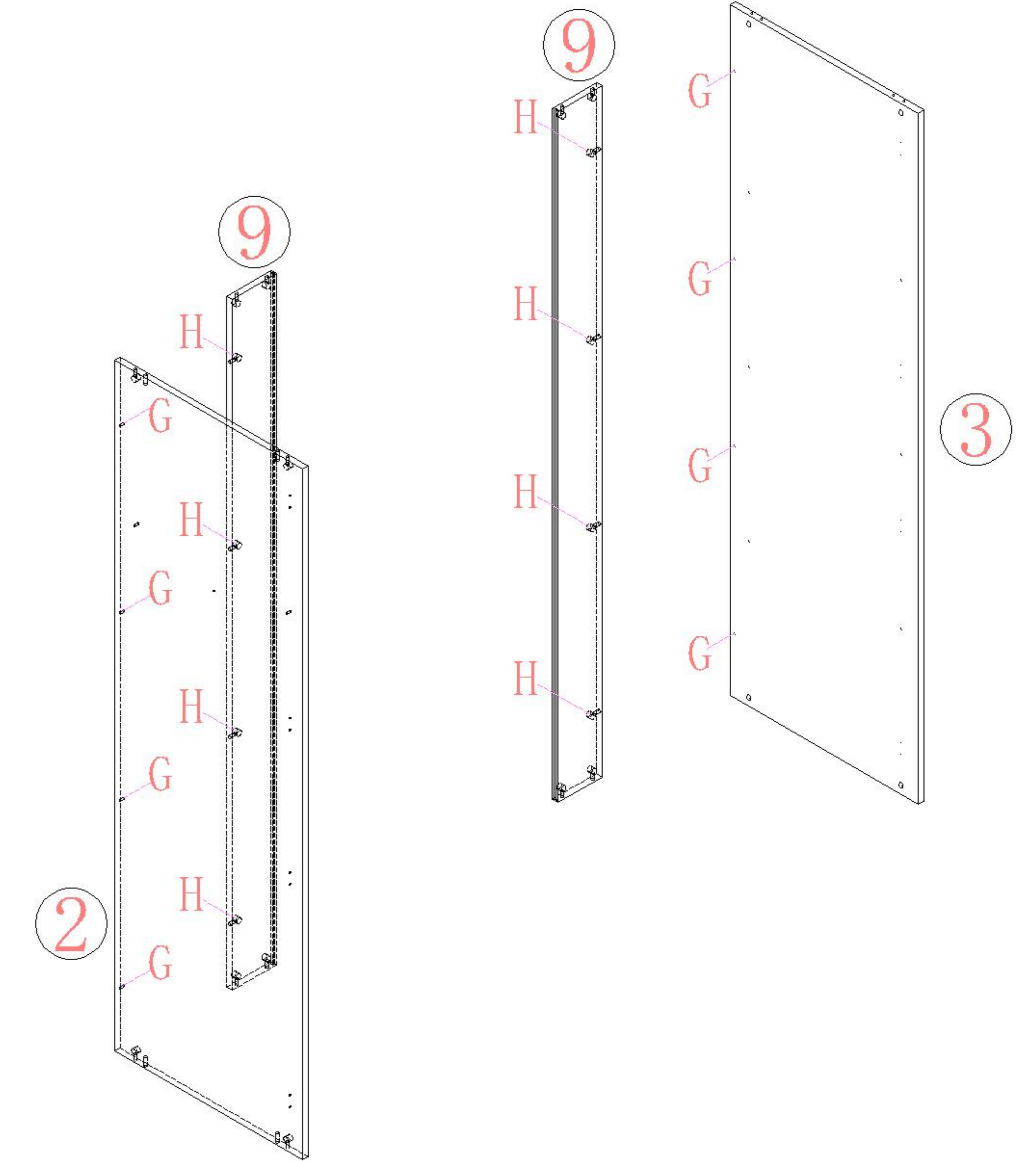
3



(G)*8



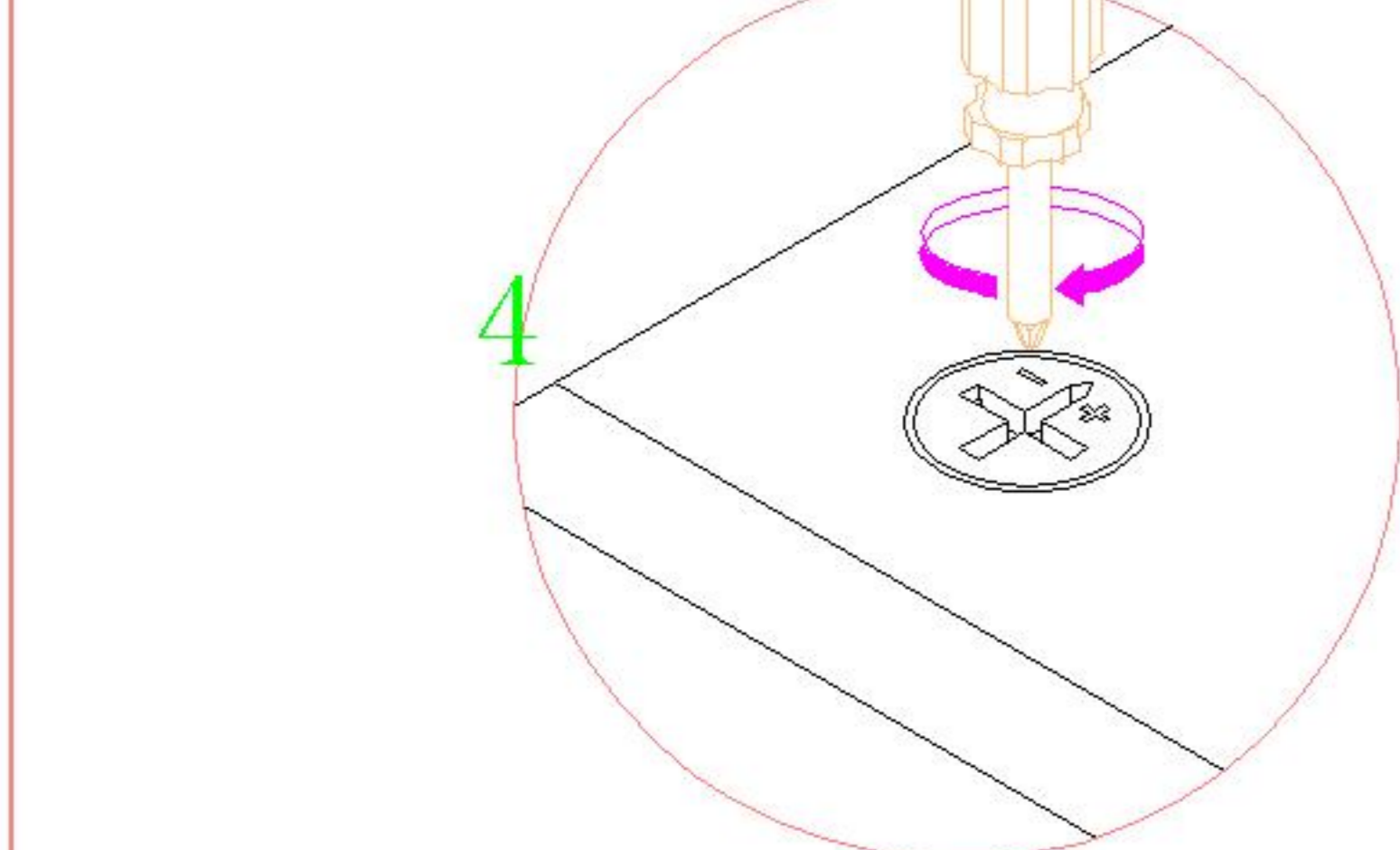
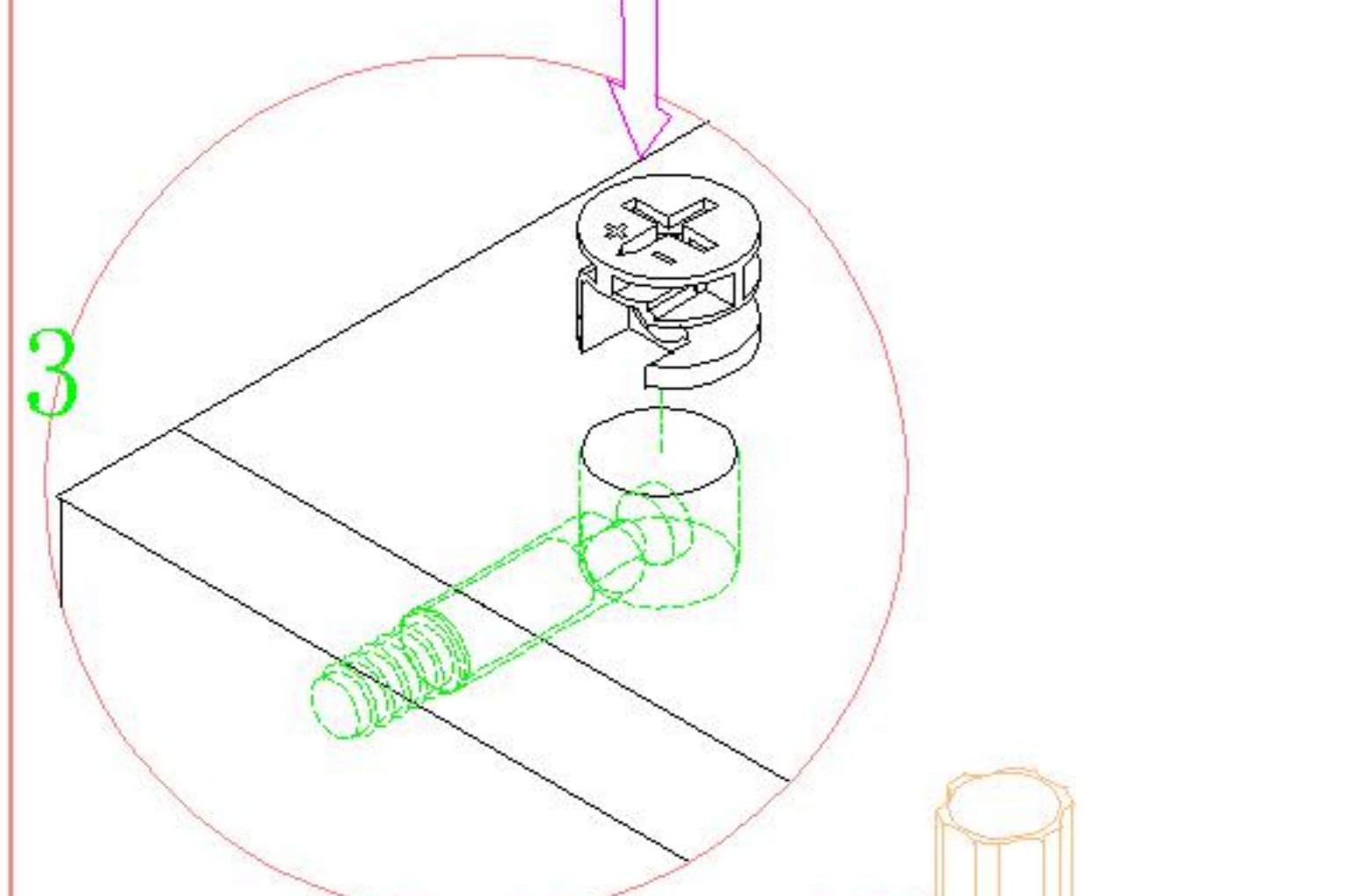
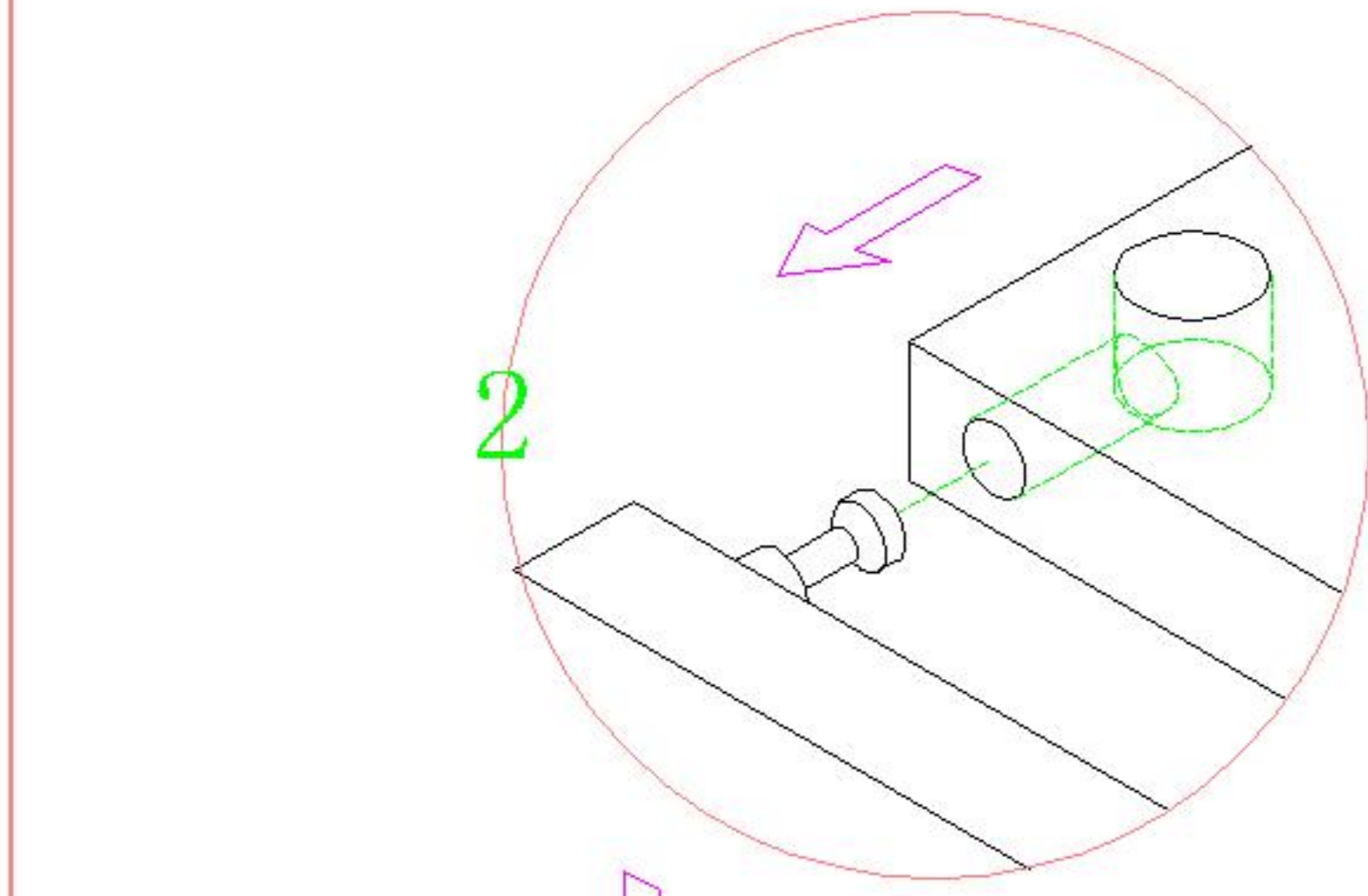
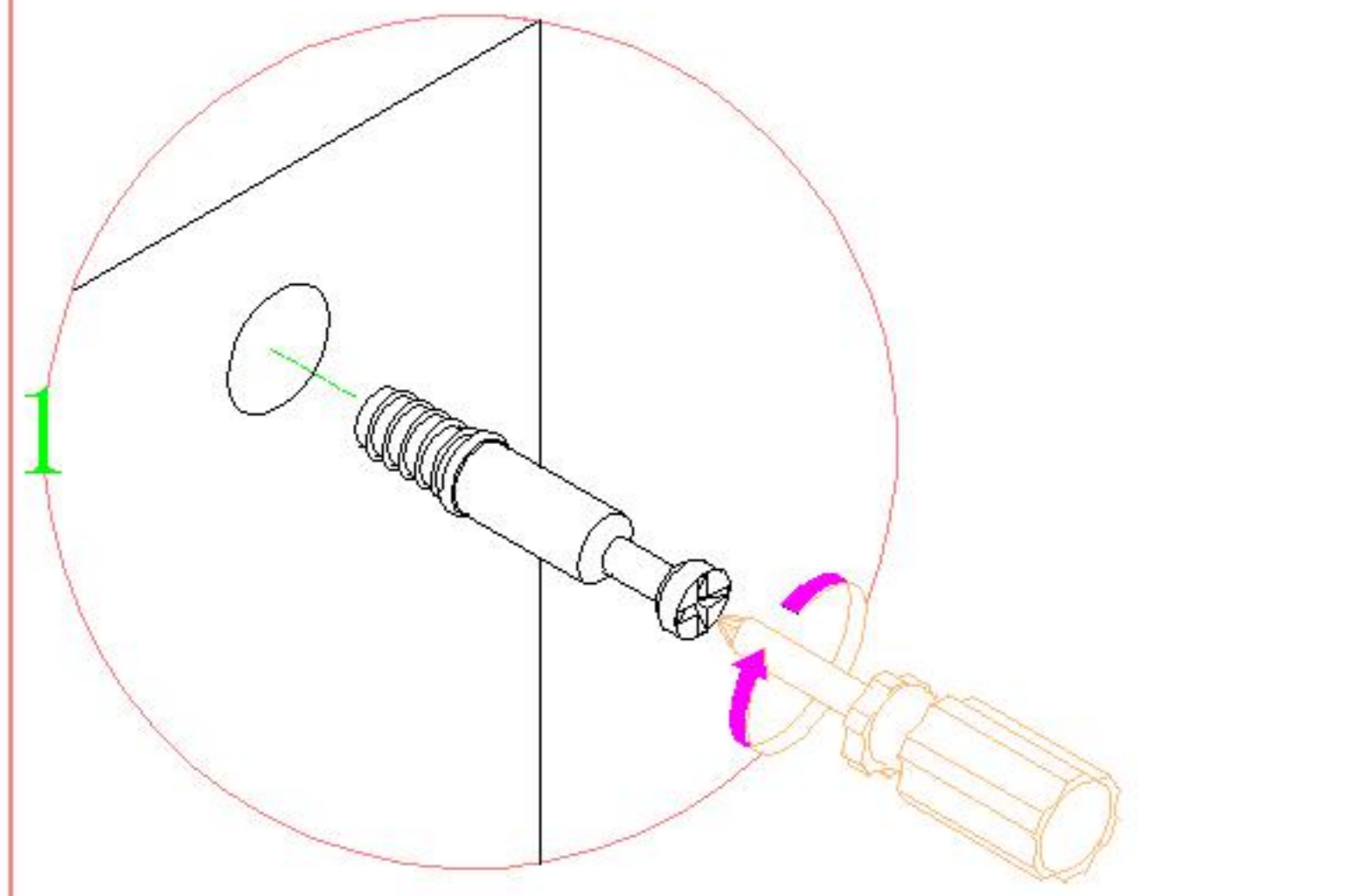
(H)*8



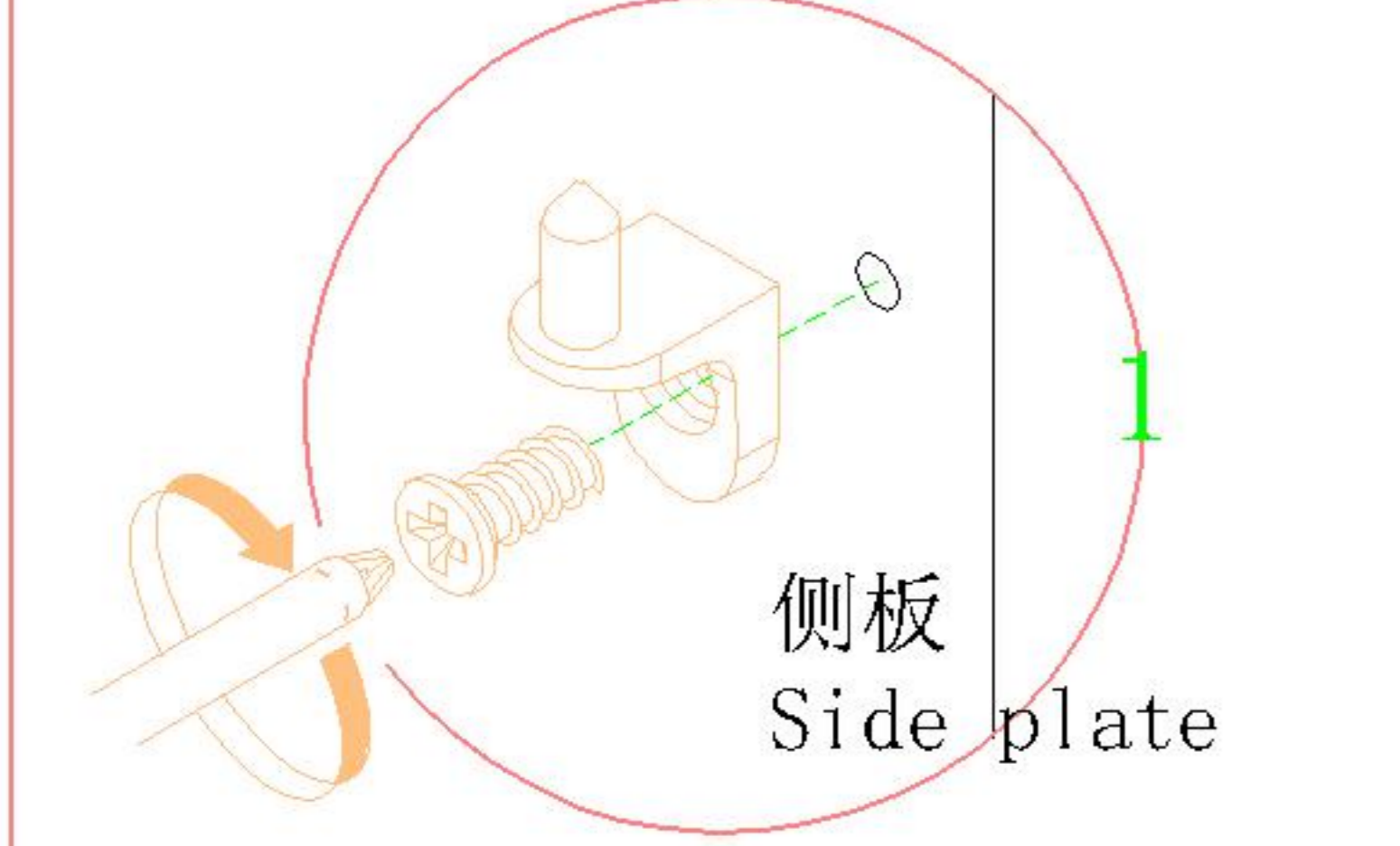
4

JC18D-A1 (0.8m)

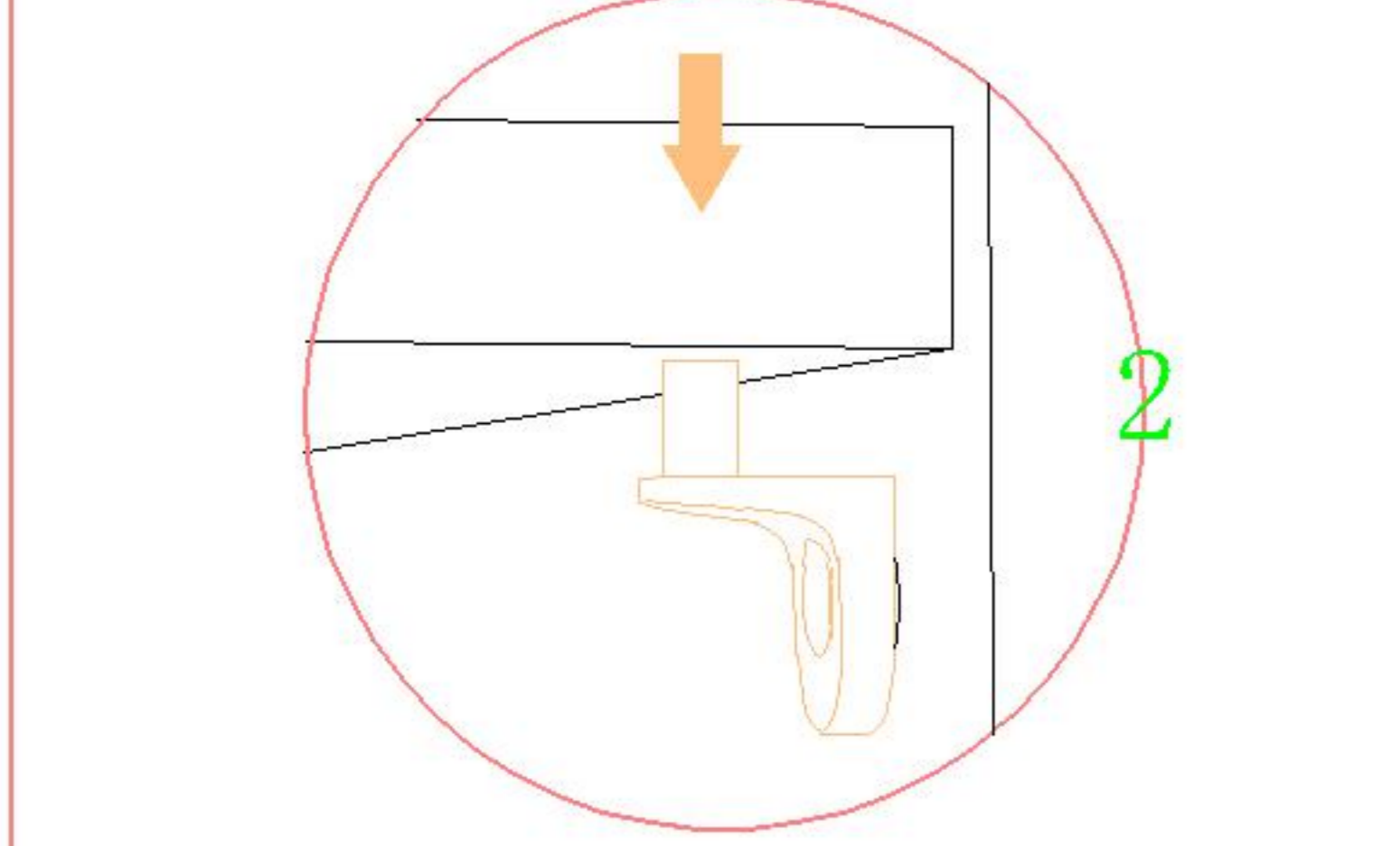
安装方法/
Installation method



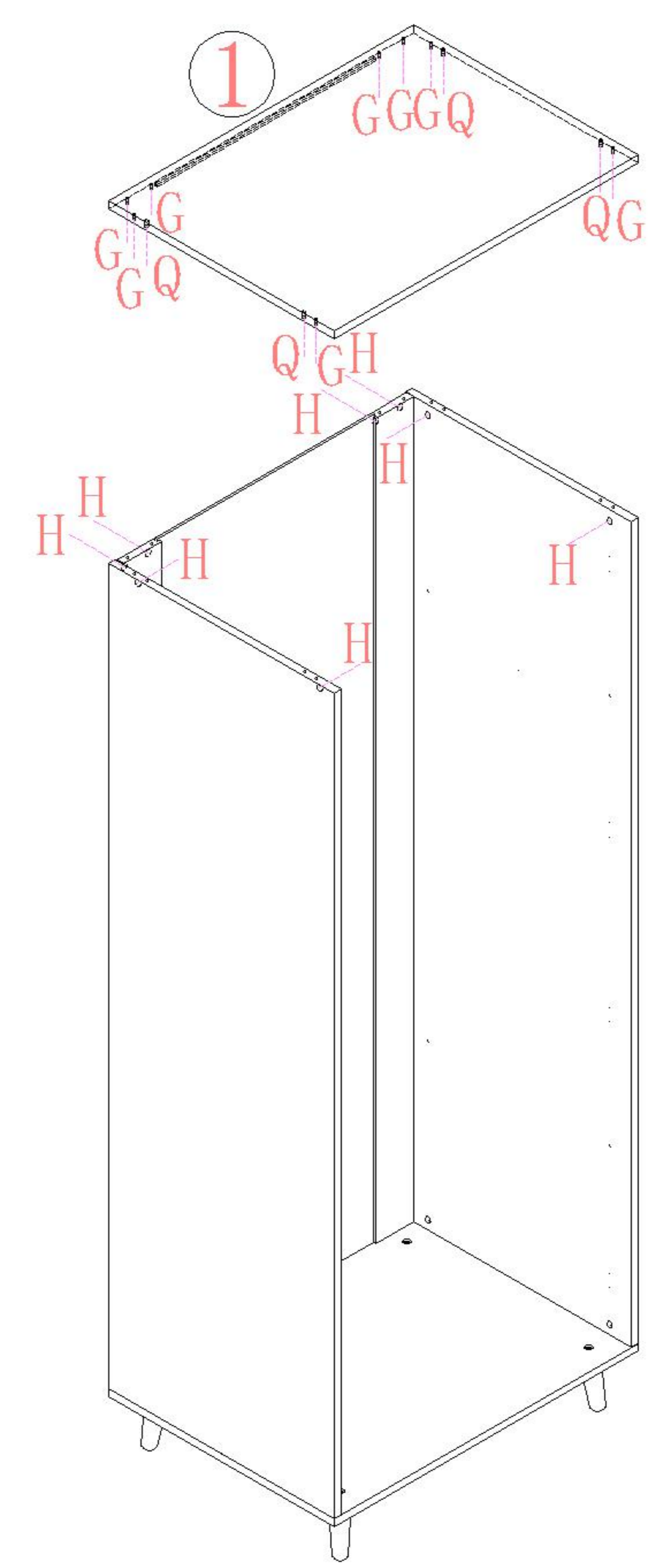
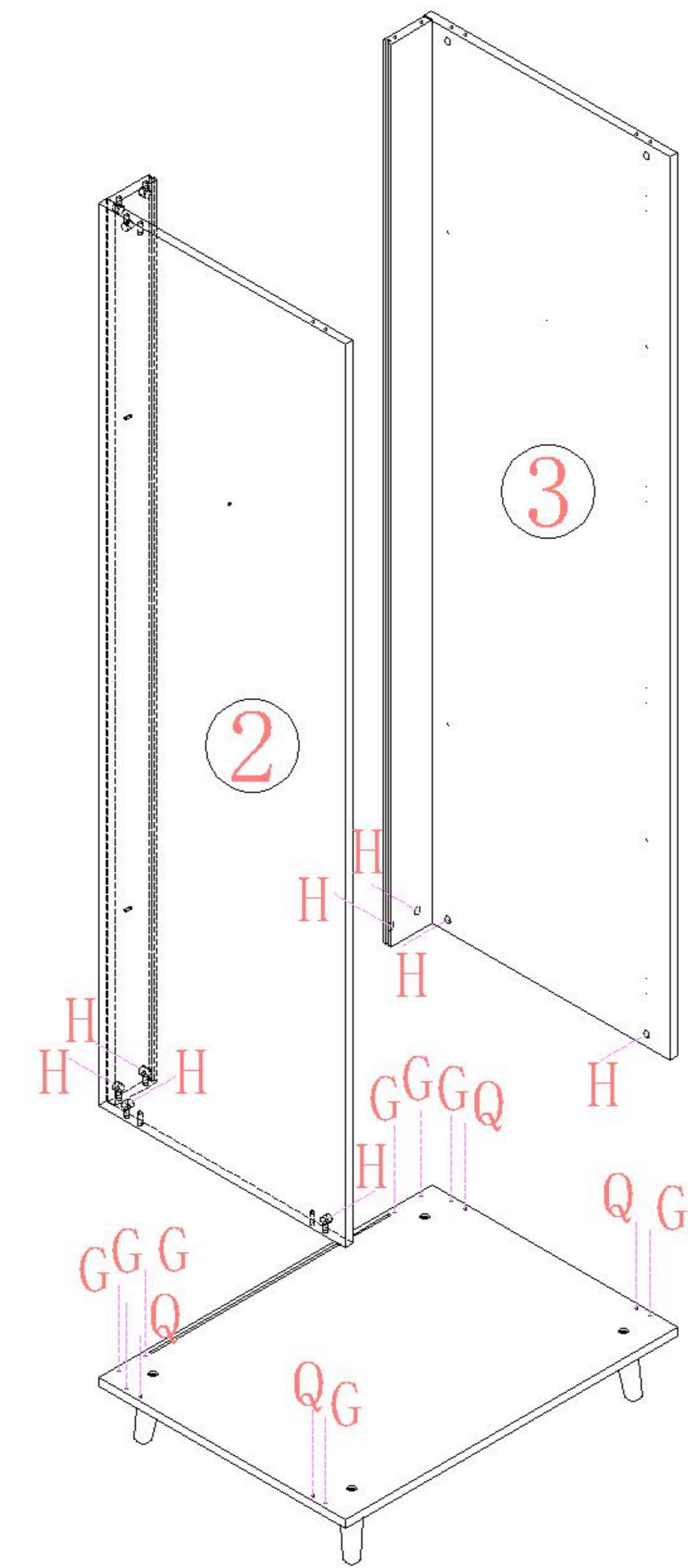
大二合一
two-in-one



侧板
Side plate

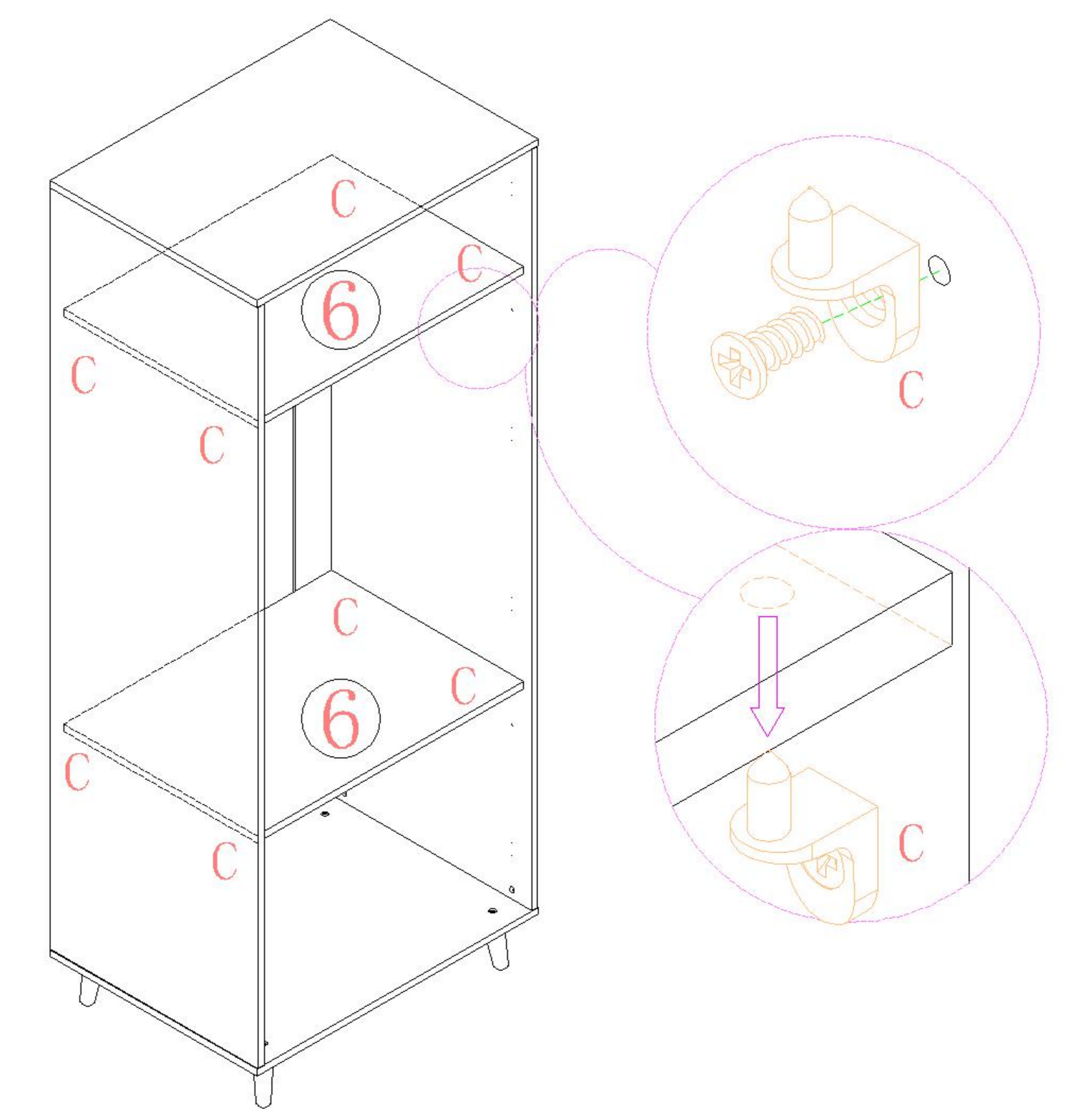
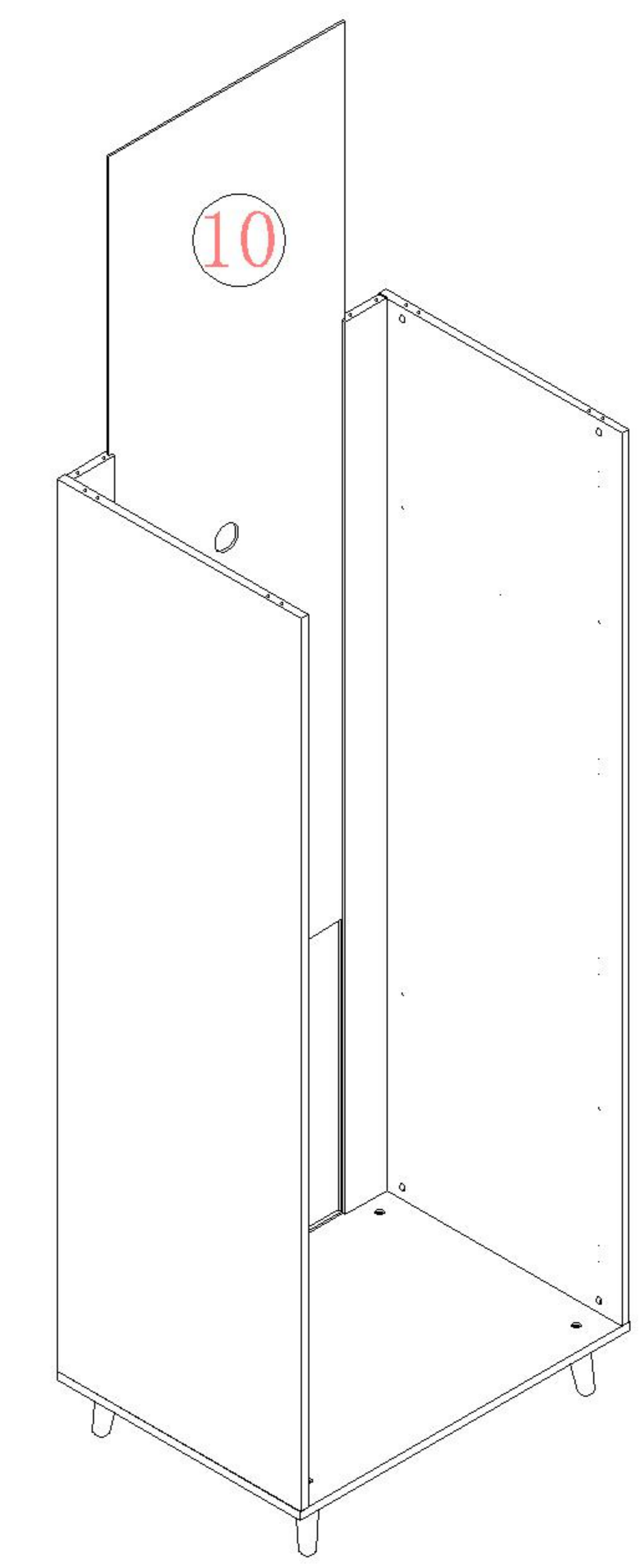
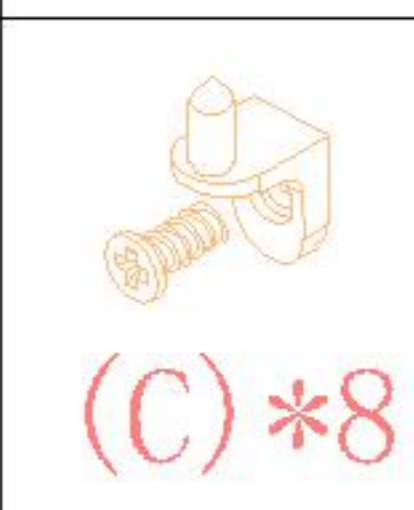


层板托5mm
shelf support



5

7



6

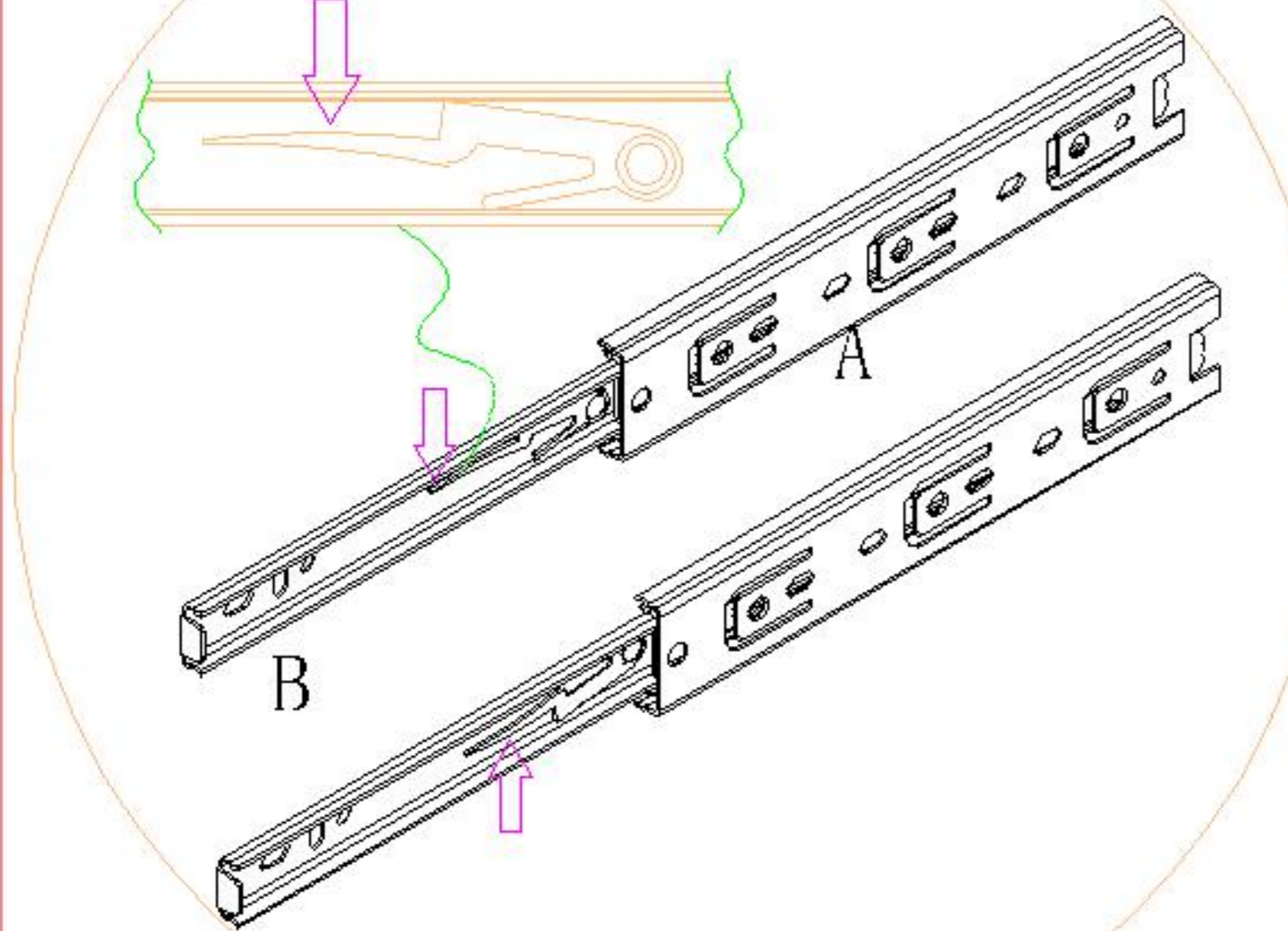
8

JC18D-A1 (0.8m)

安装方法/
Installation method

阀门开关(下压为开)
Valve switch
(press down to open)

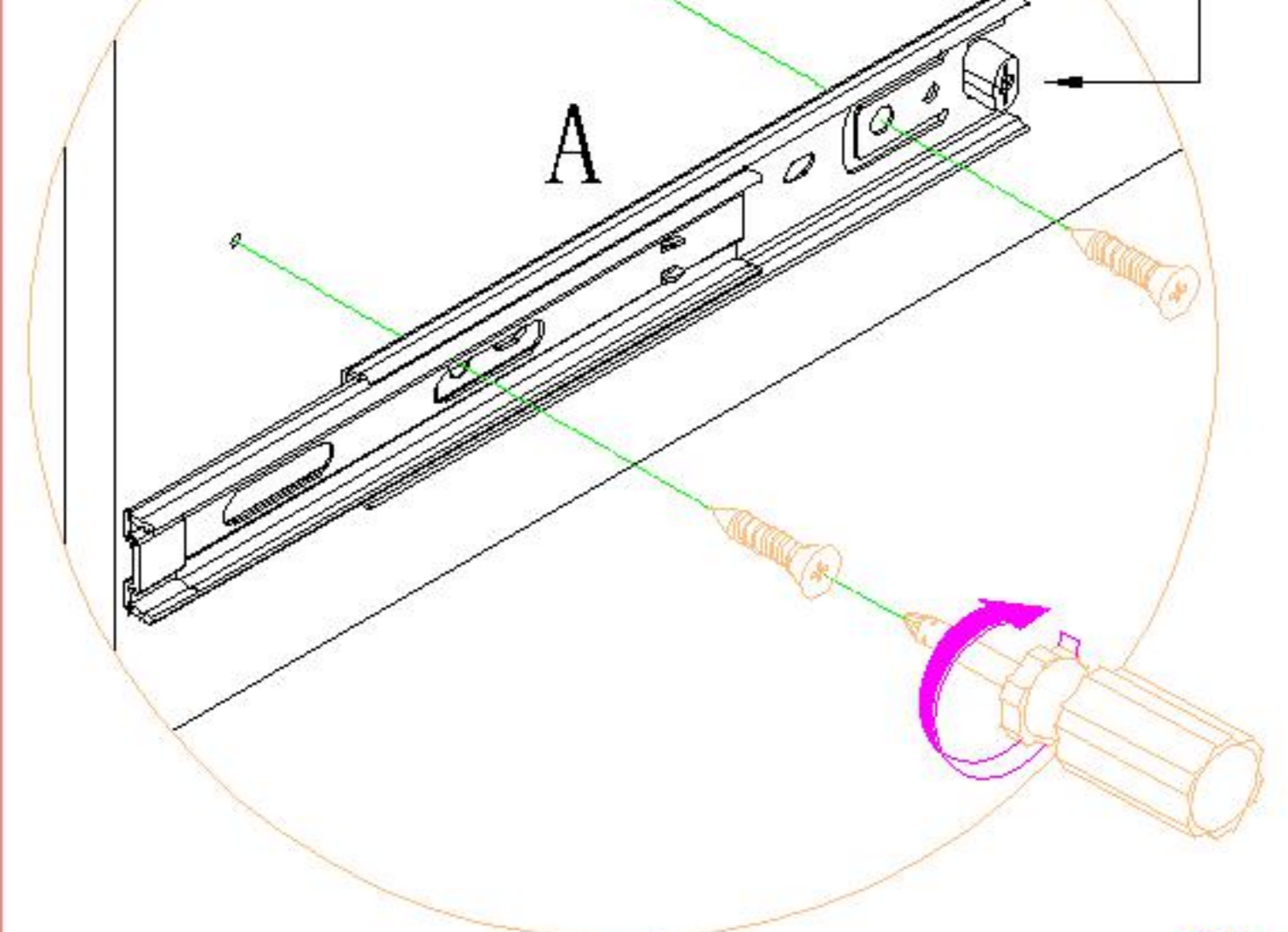
1



注: 先将A与B拆下来
Note: remove a and B first

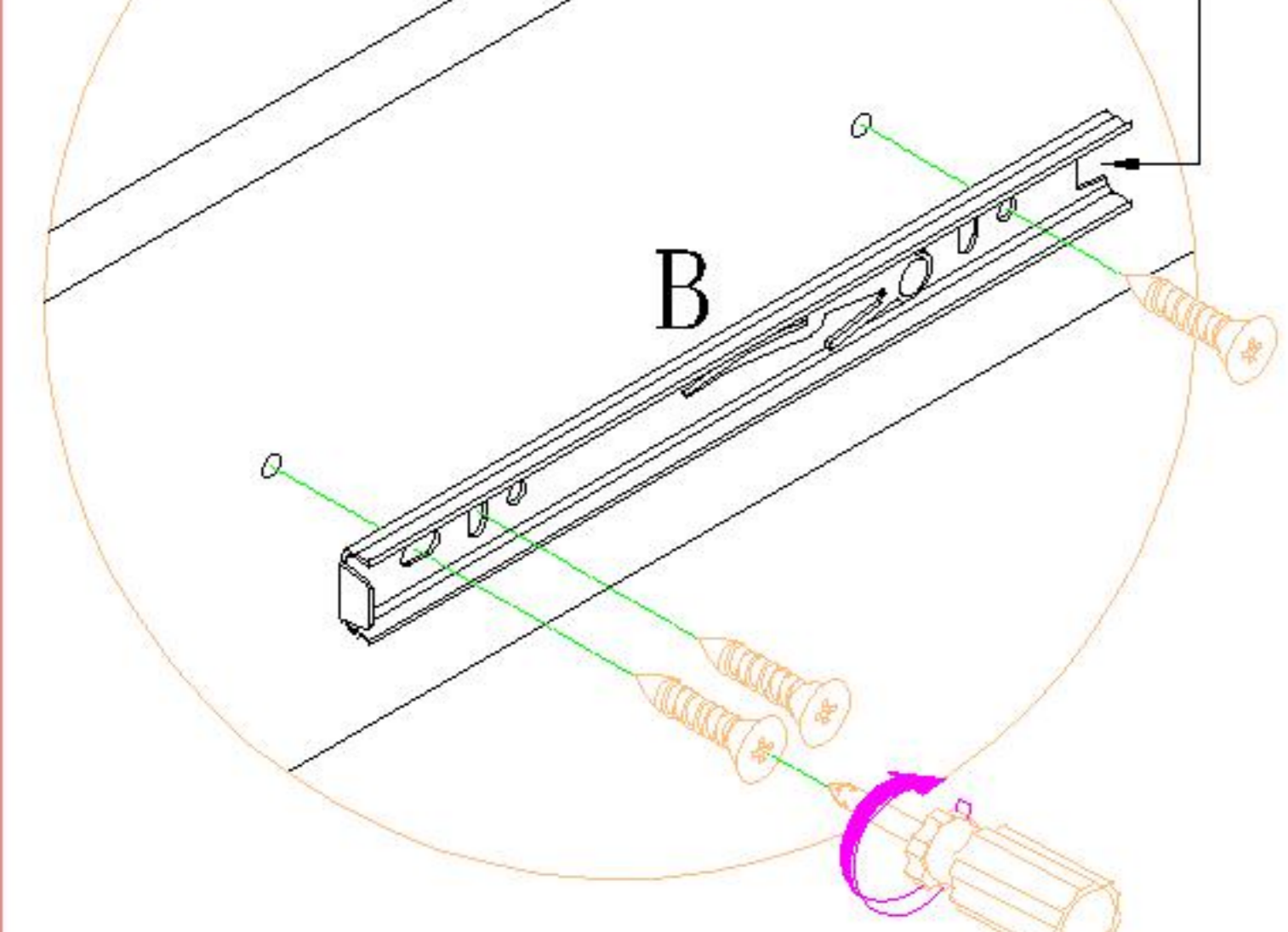
侧板
side board

2

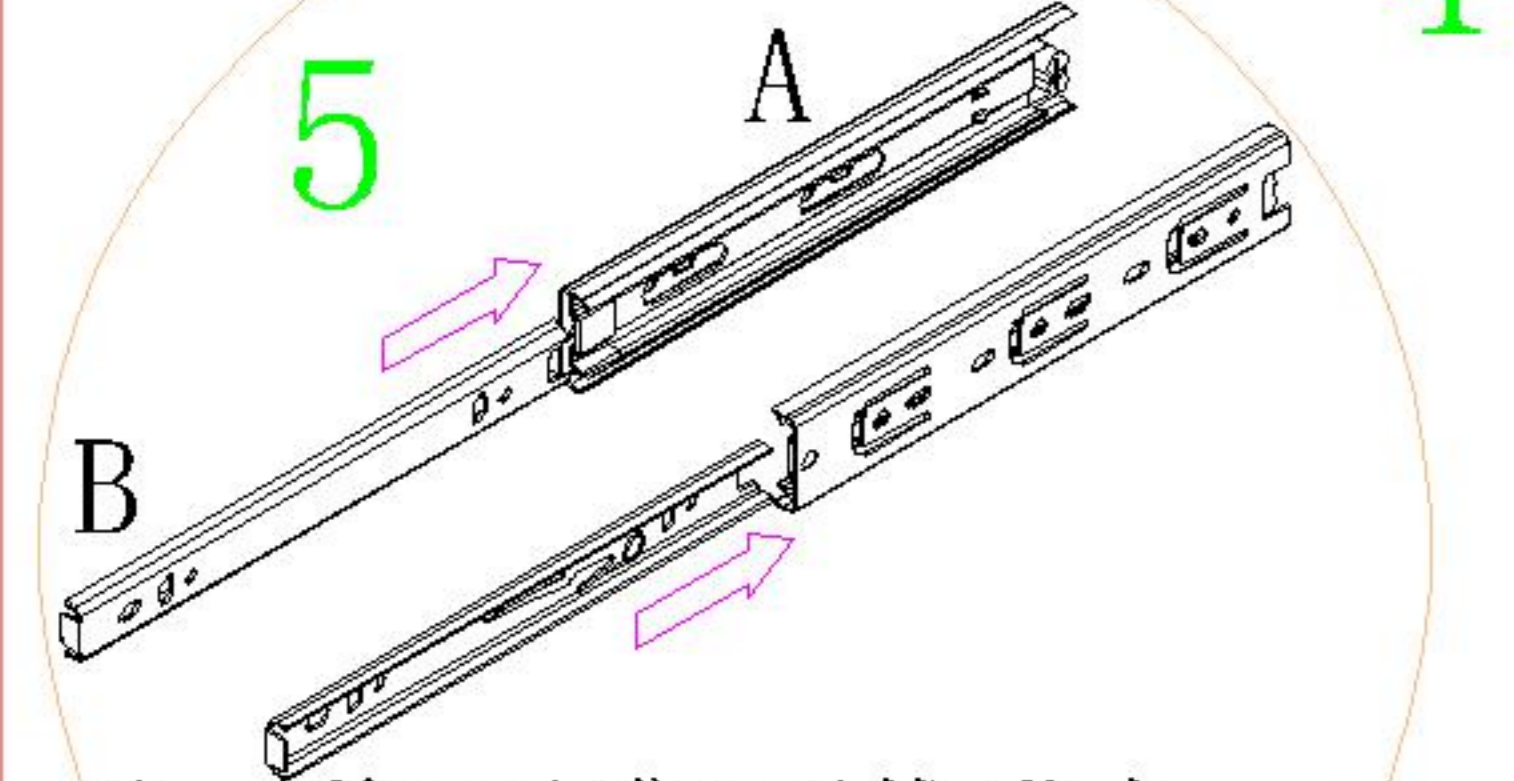


抽屉侧板
sideboard
of the drawer

3



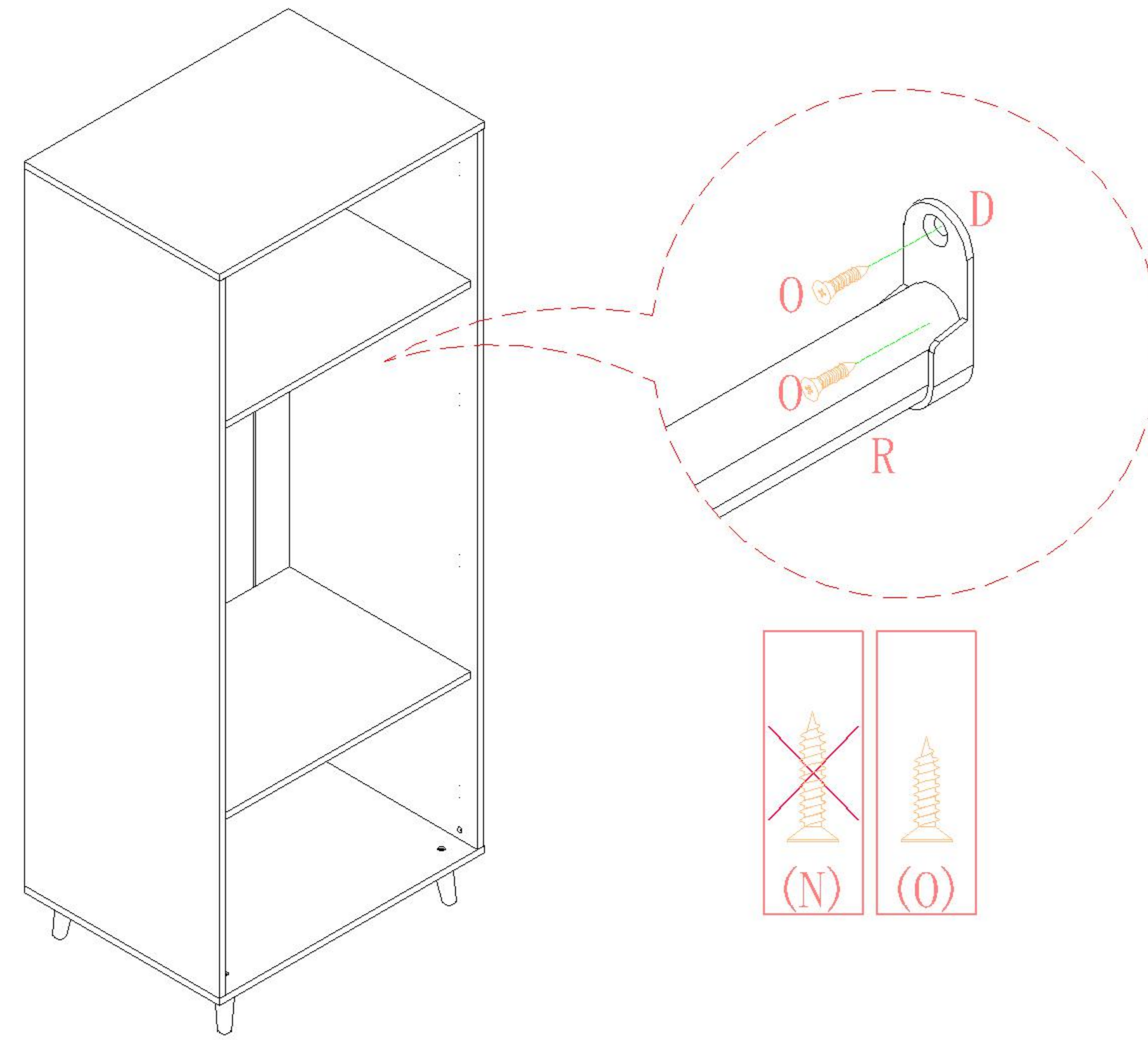
5



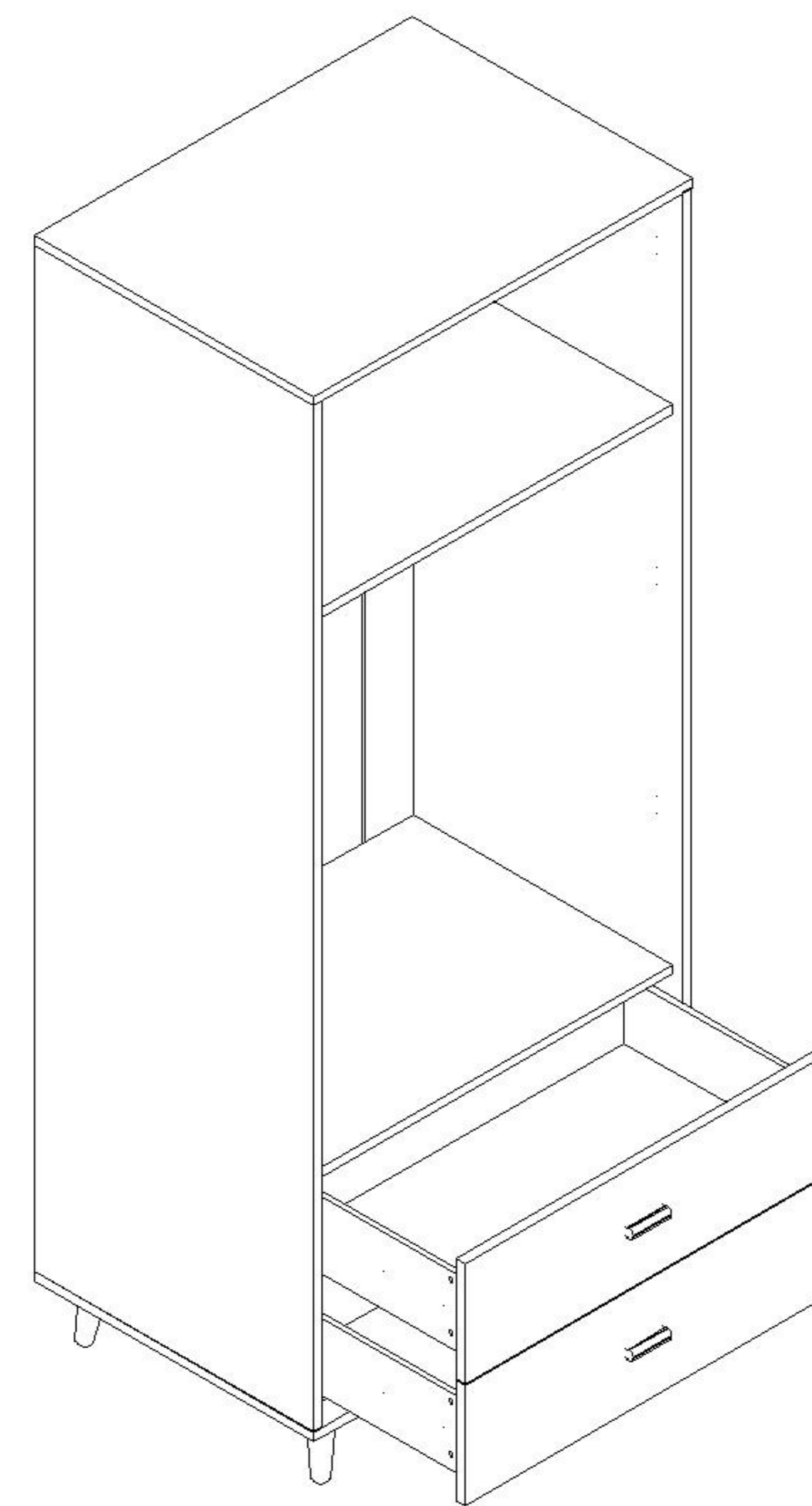
注: 将B对准A后推进去
Note: align B with a
and push it in

三节滚珠导轨
three-section ball rail

- (D)*2
- (O)*4
- (R)*1



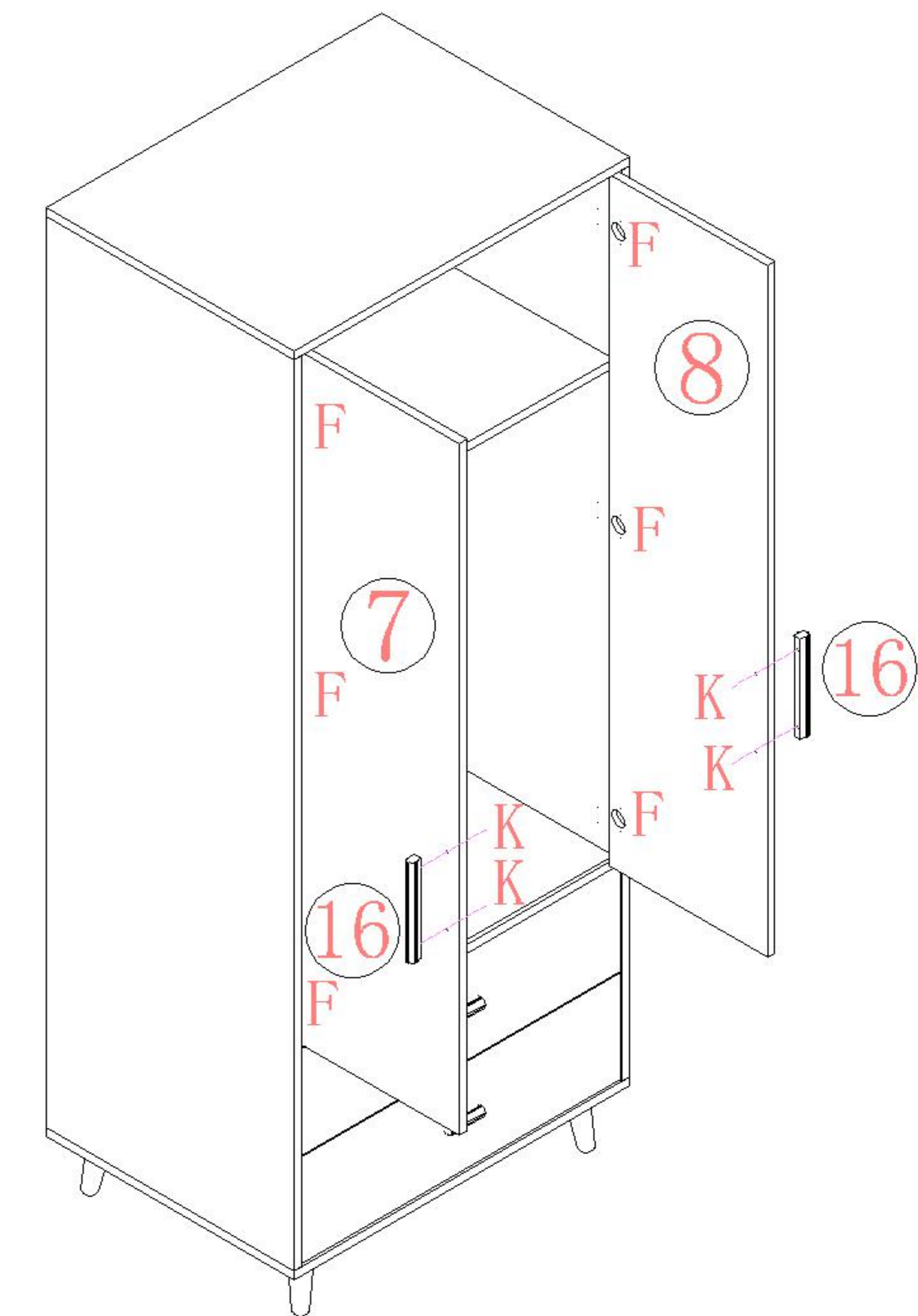
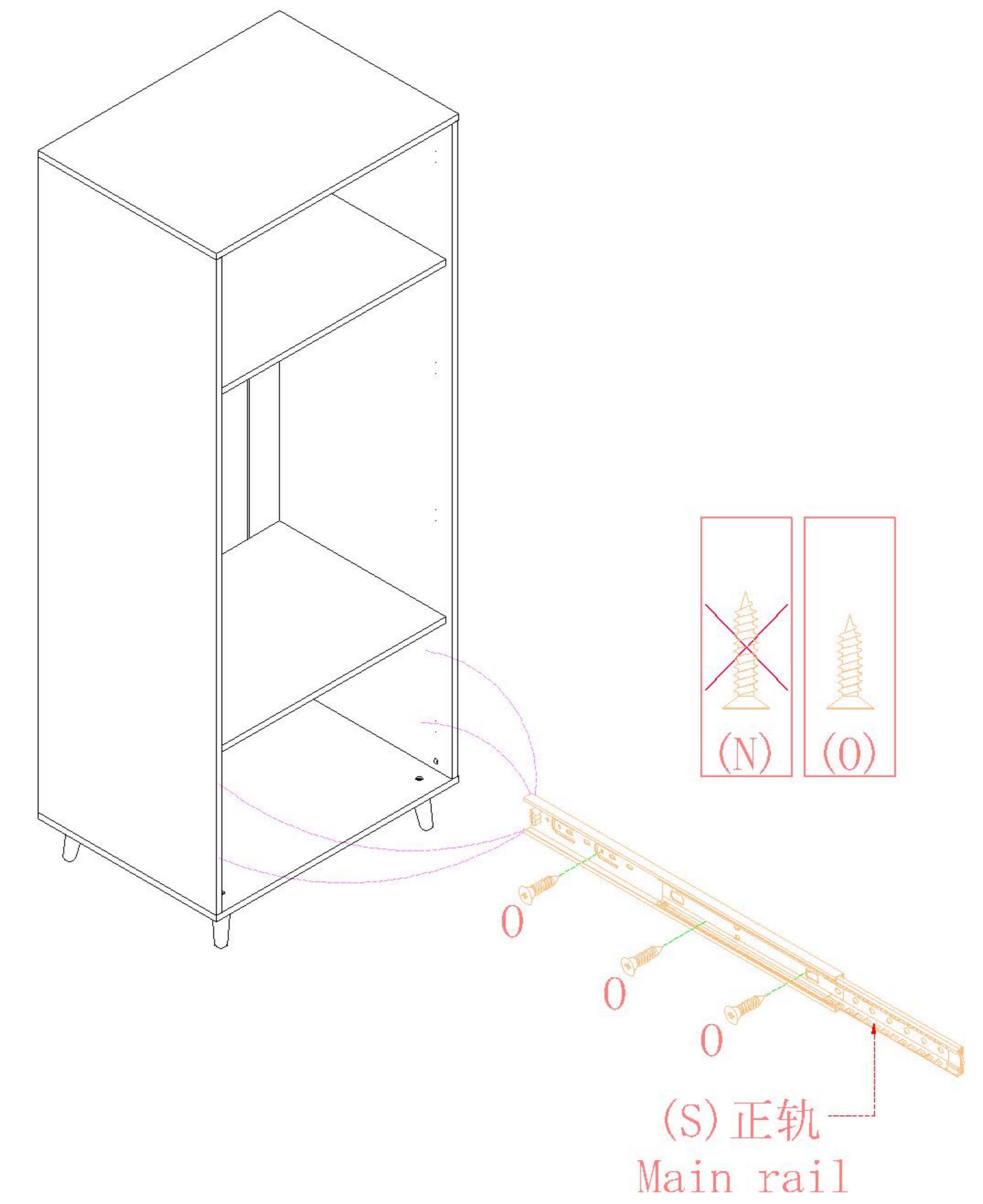
11



- (O)*12
- (S)*2

- (F)*6
- (K)*4

12



JC18D-A1 (0.8m)

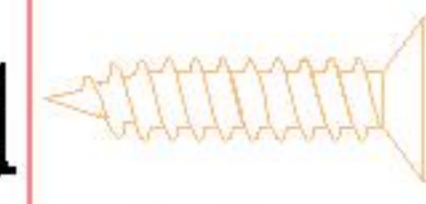
13

14

安装方法/
Installation method



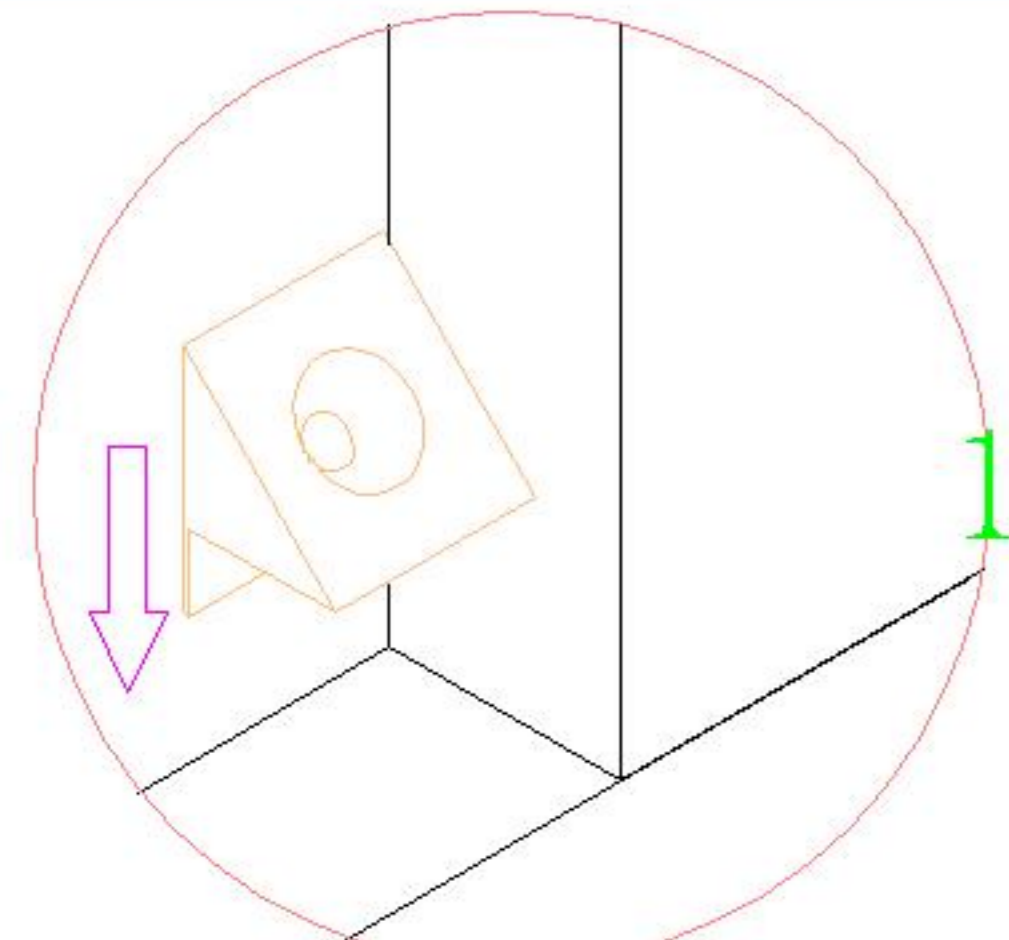
(B)*6



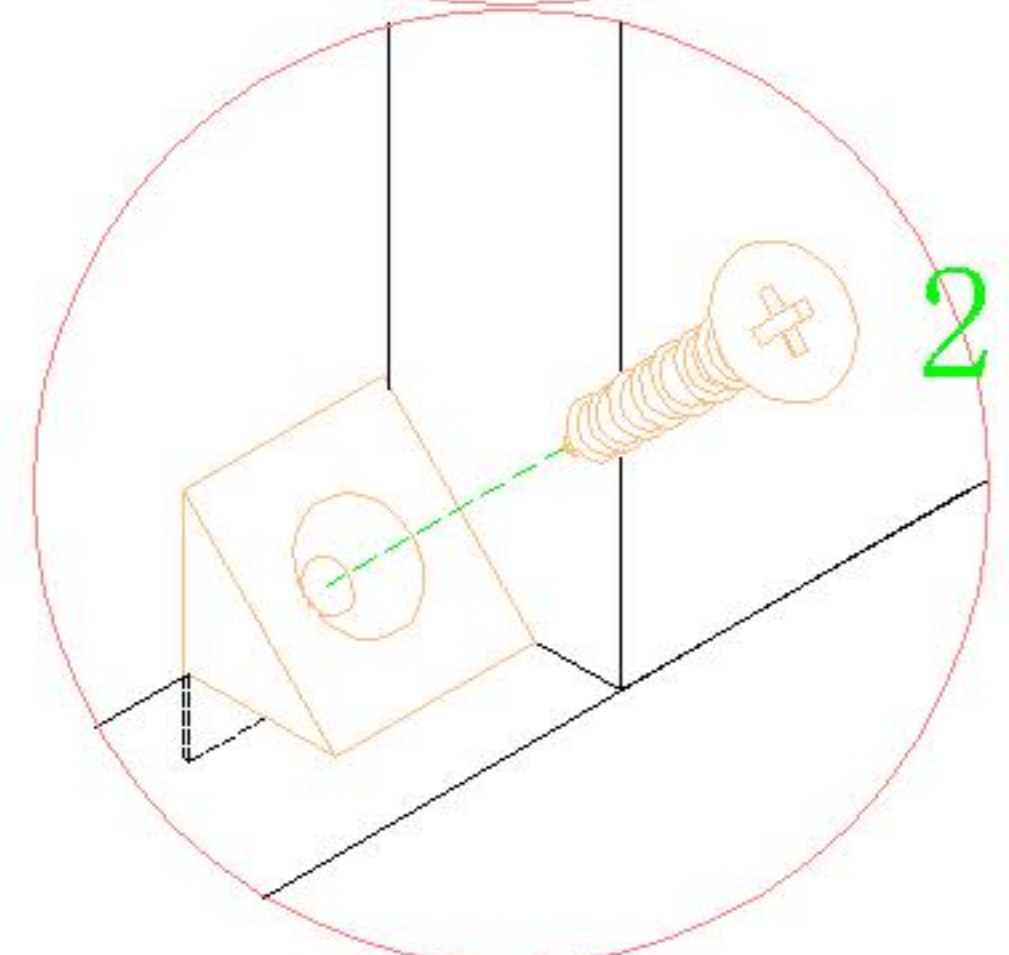
(P)*6



(E)*1



1



2

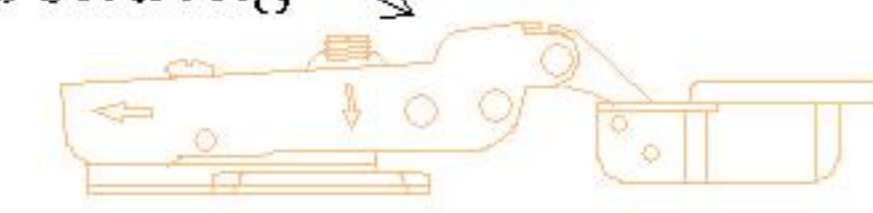
背板扣

Back Plate Buckle-White

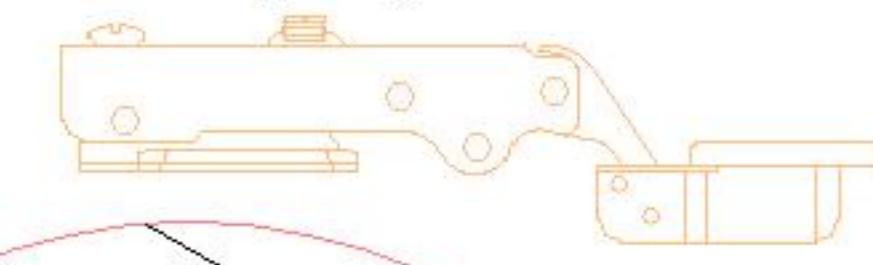
大弯big bend



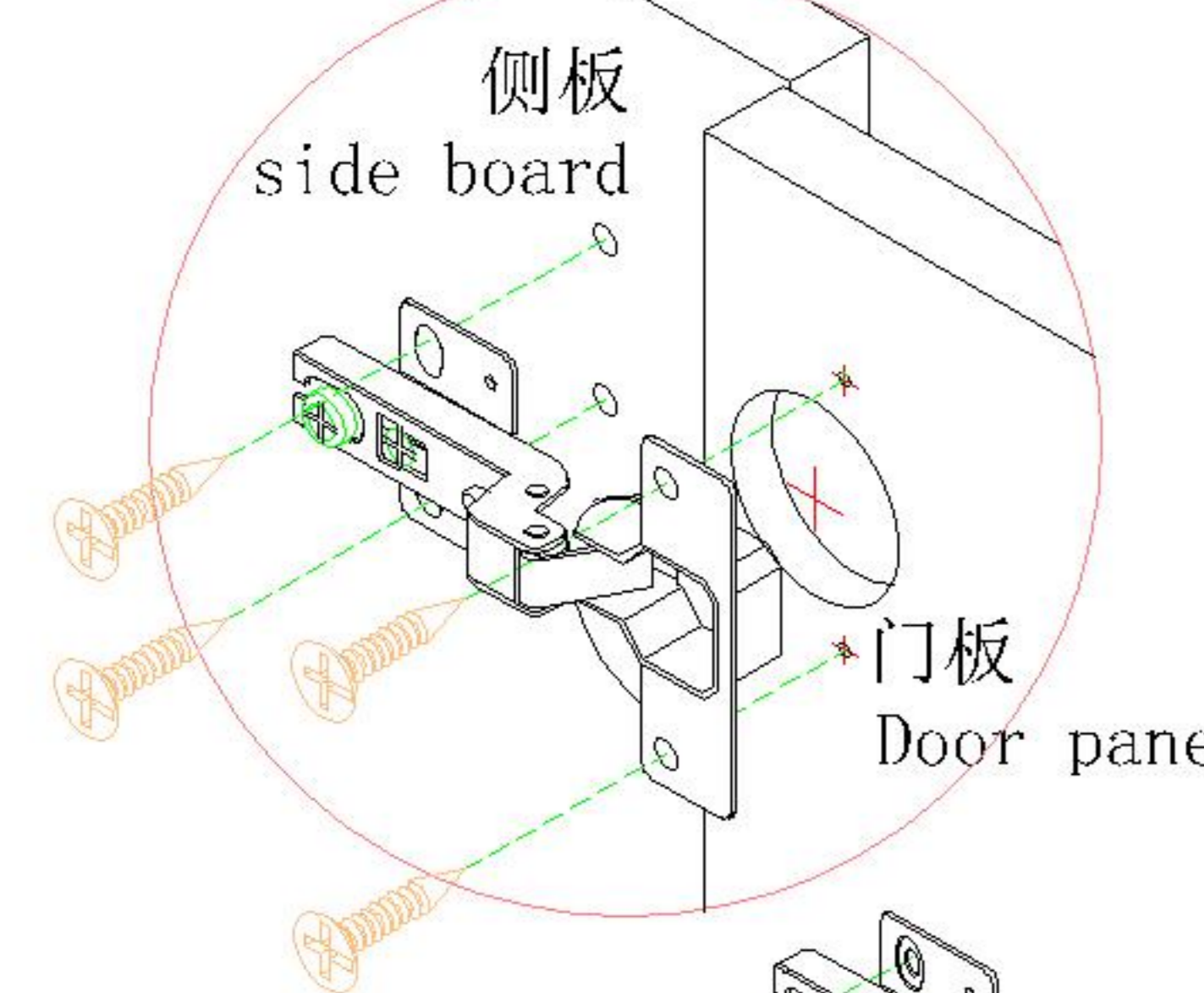
中弯middle bending



直弯straight bending

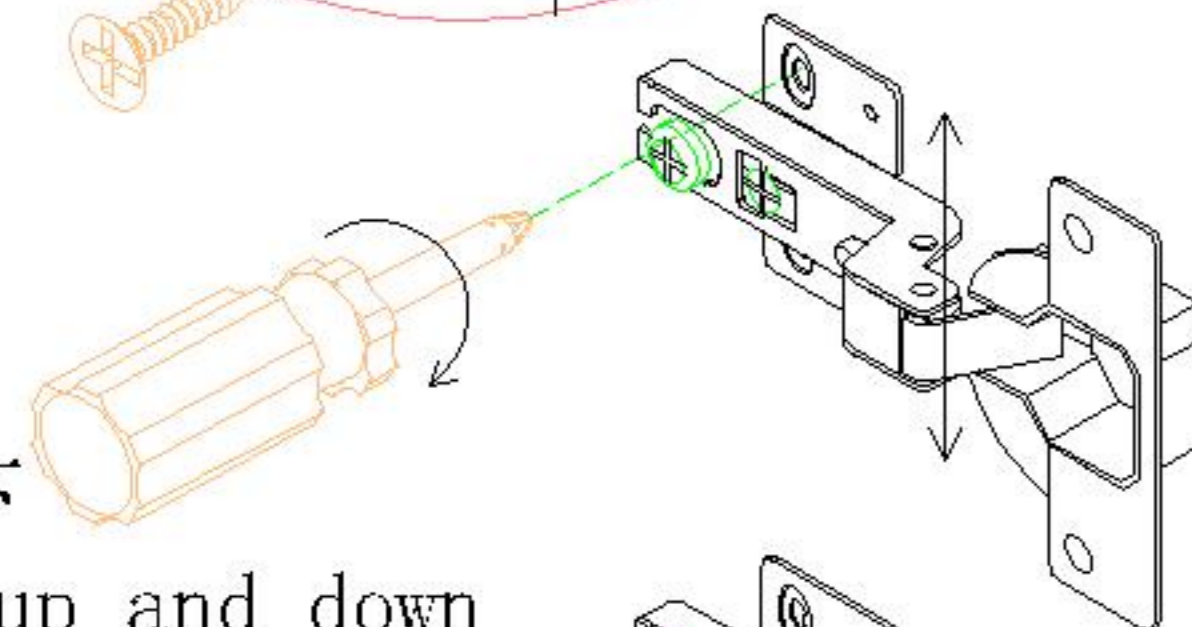


侧板
side board

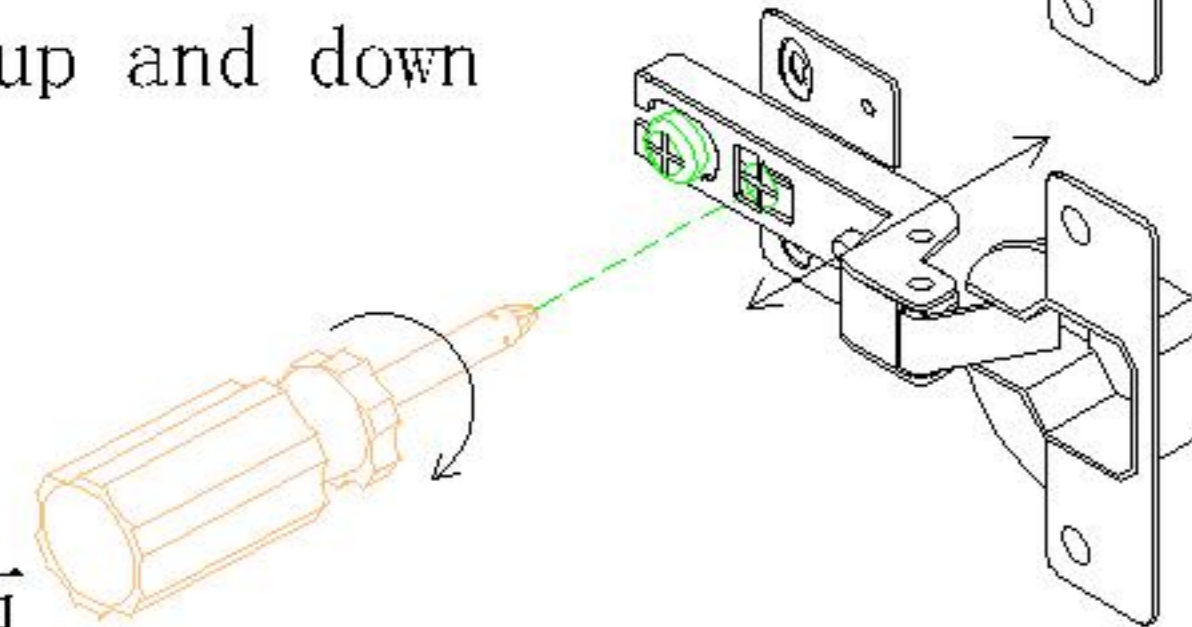


门板
Door panel

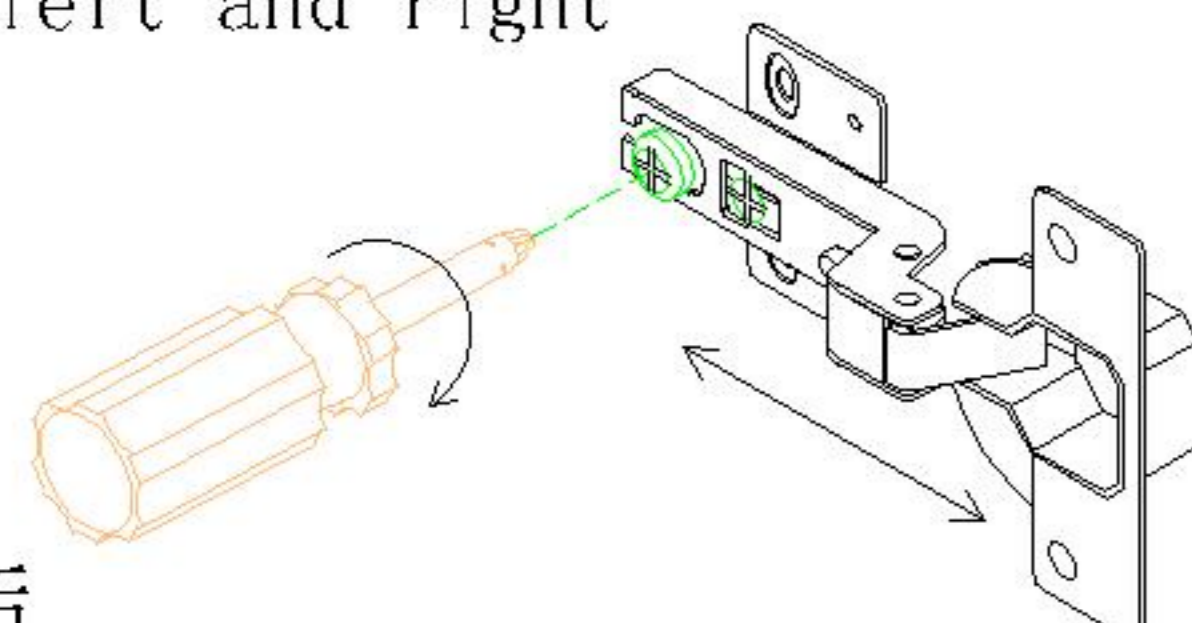
调节上下
Adjust up and down



调节左右
Adjust left and right

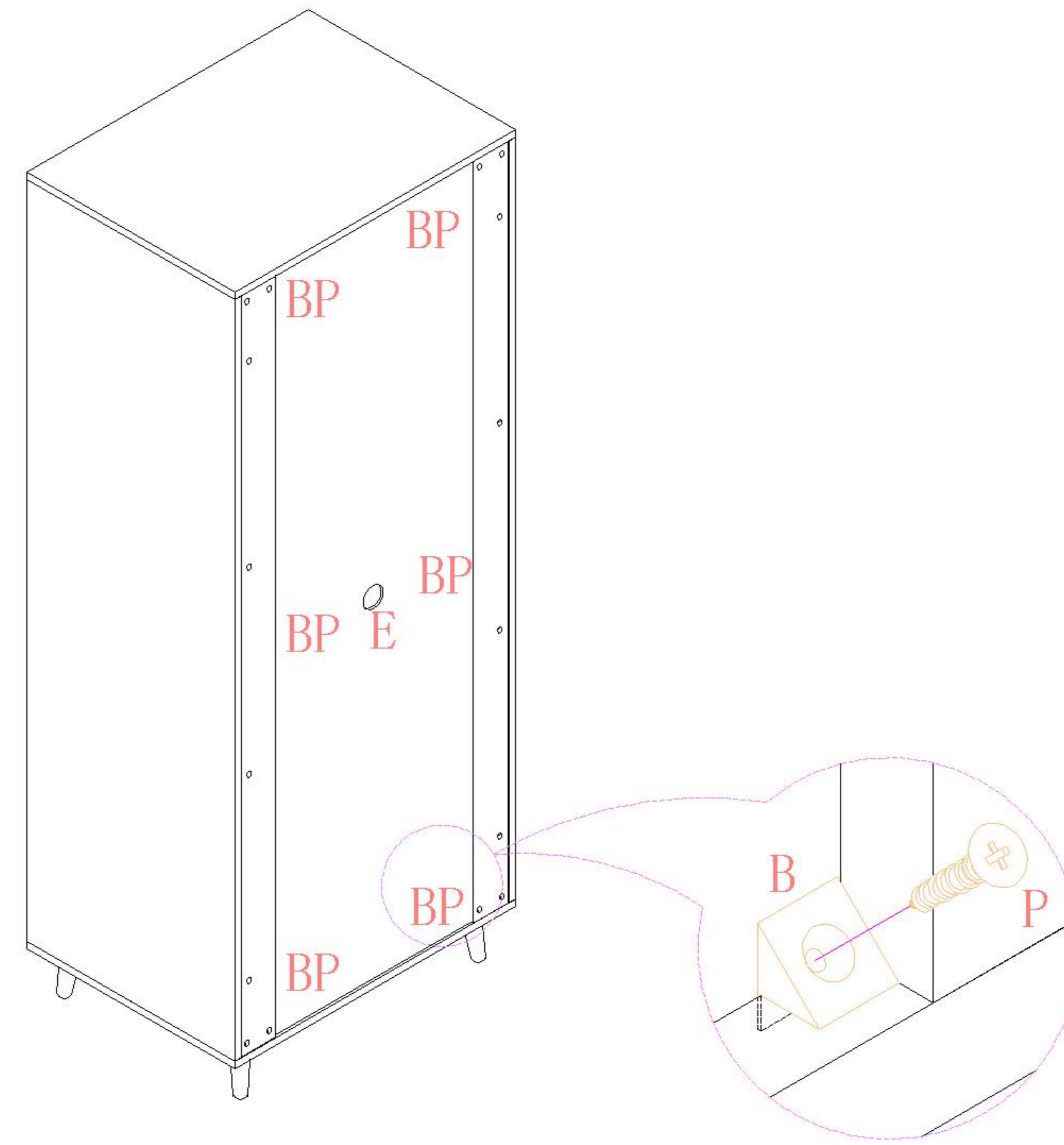


调节前后
Before and after adjustment



门铰

Hinge



15

16

