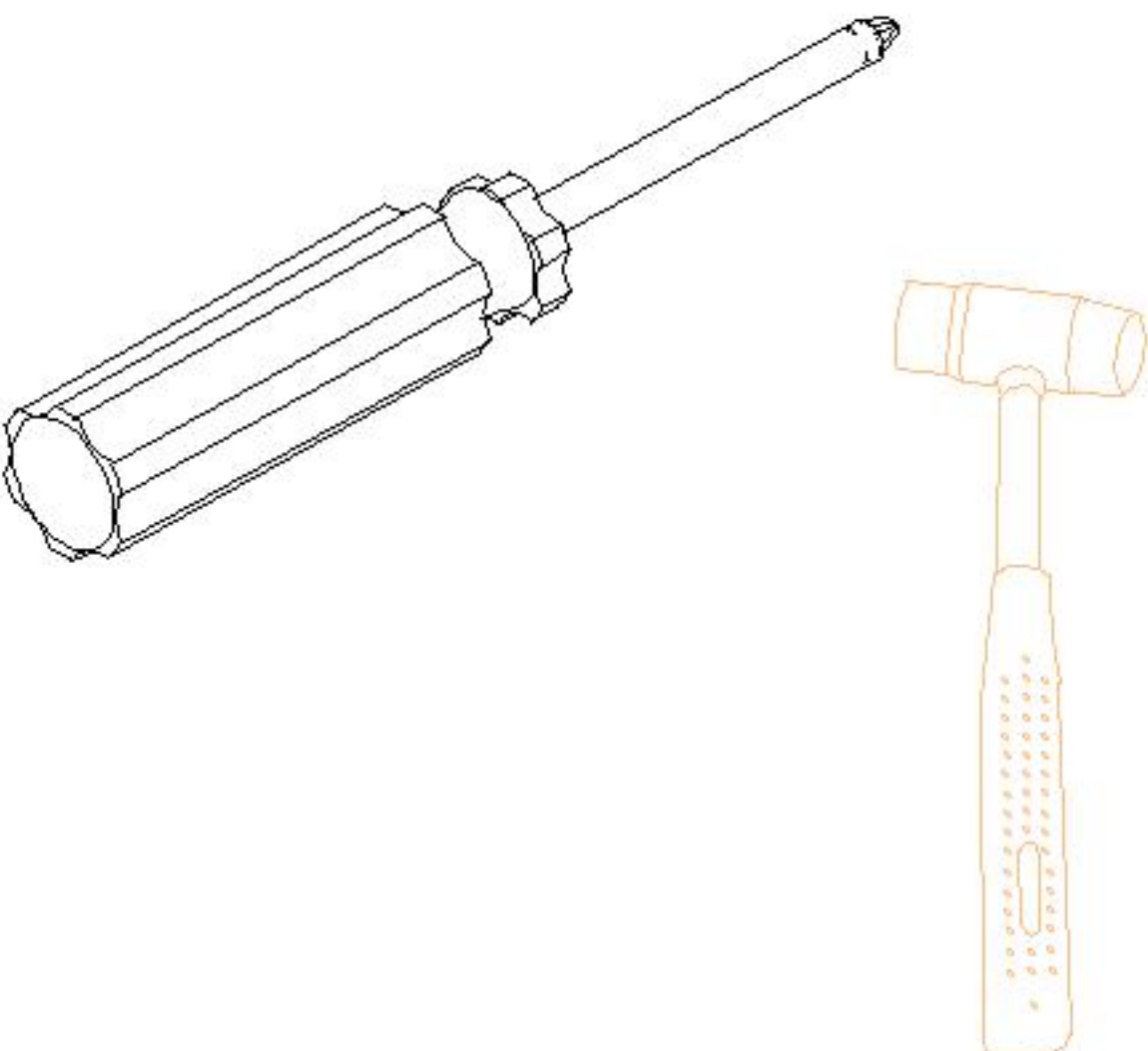
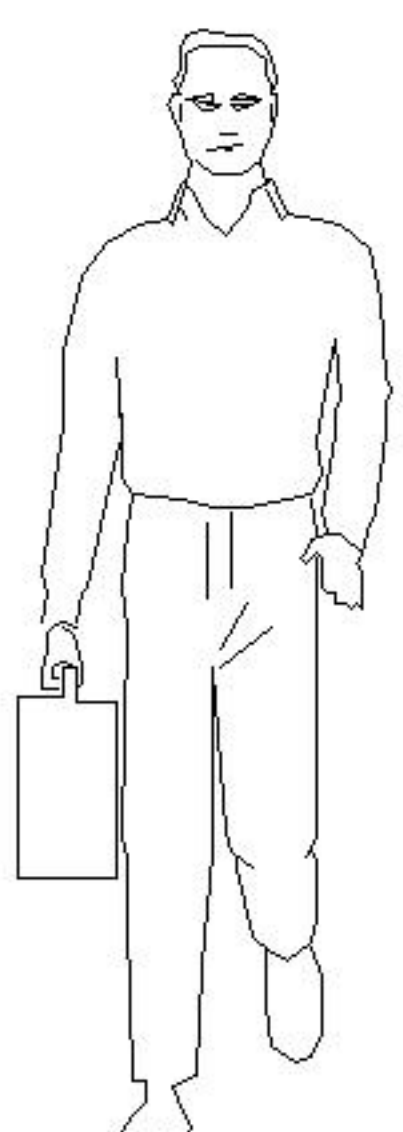
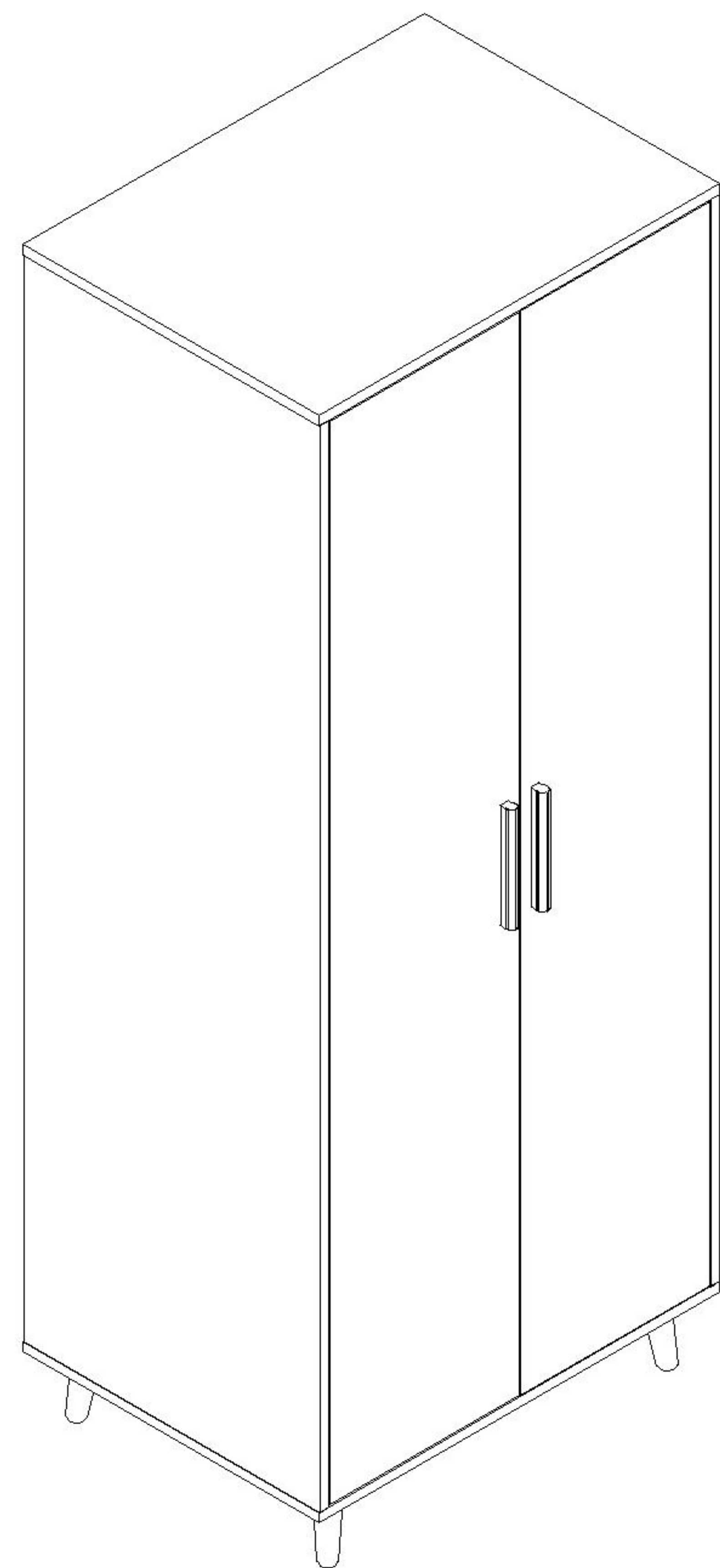


安装示意图/Assembly Instruction

产品名称 Model NO.	JC19D-A1 (0.8m)
产品规格 Specification	804*617*2049mm
安装工具 Tool	安装人数 Installer
	

注：为保证设计效果，部分尺寸为定制尺寸，不影响使用。

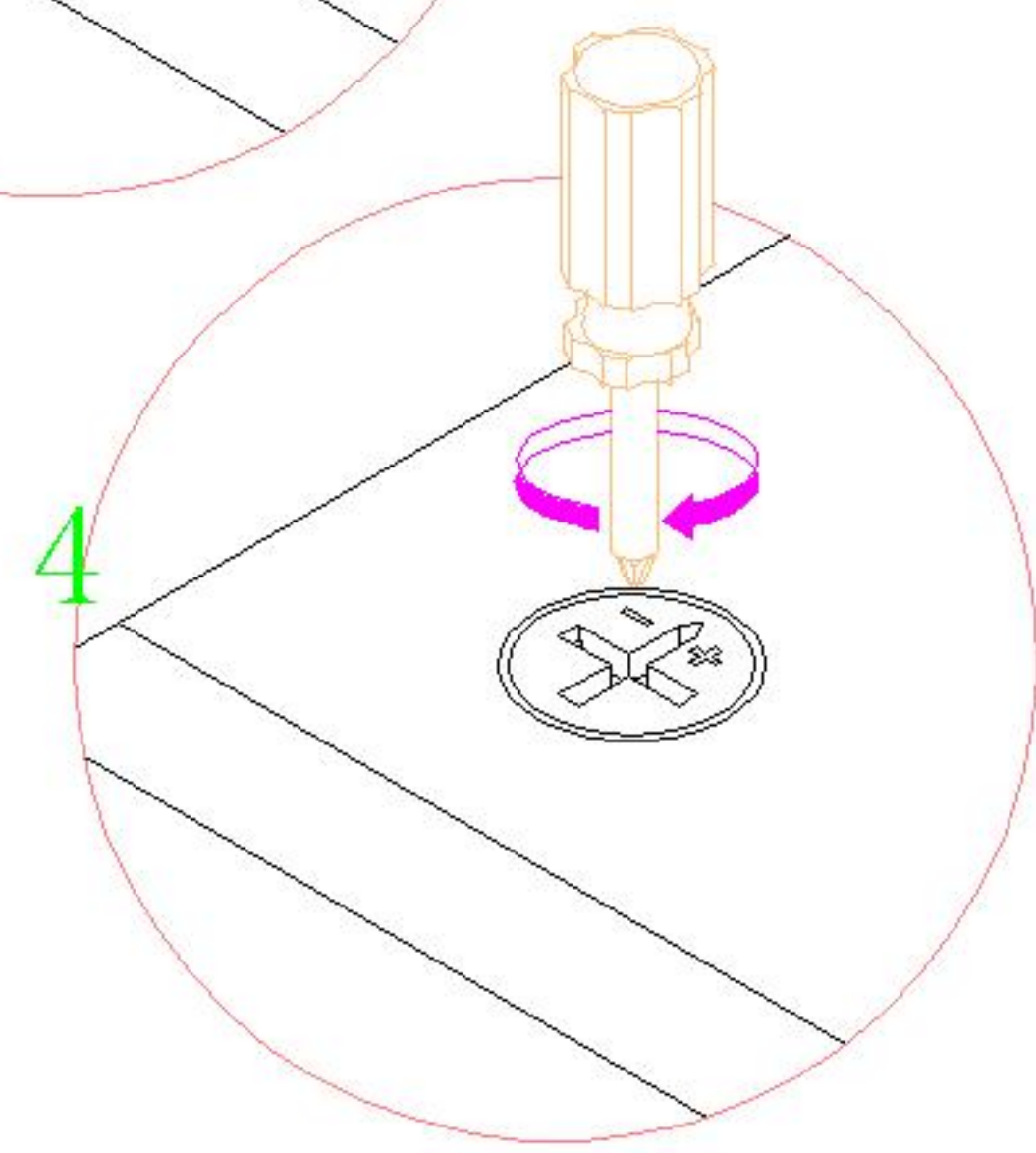
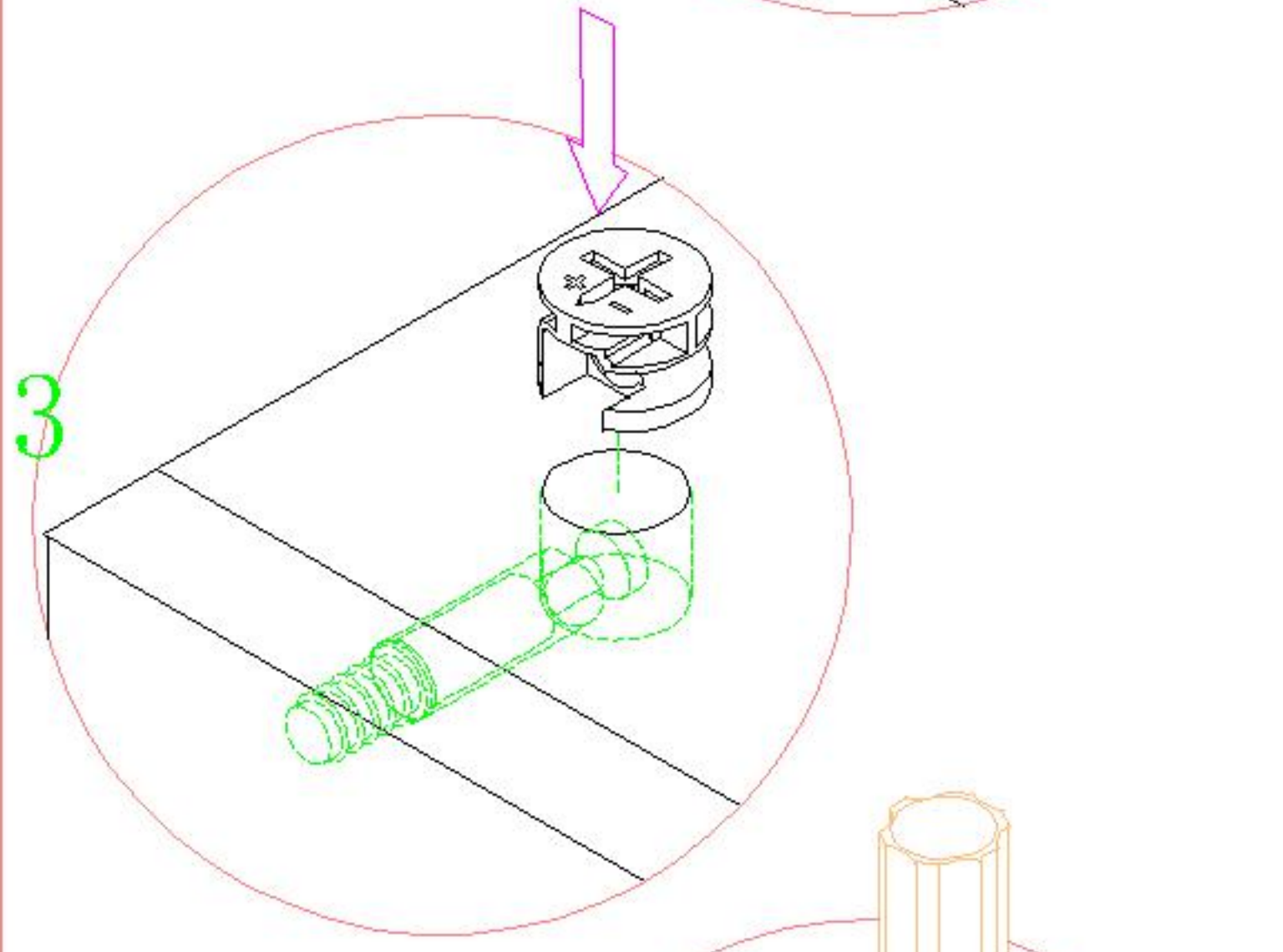
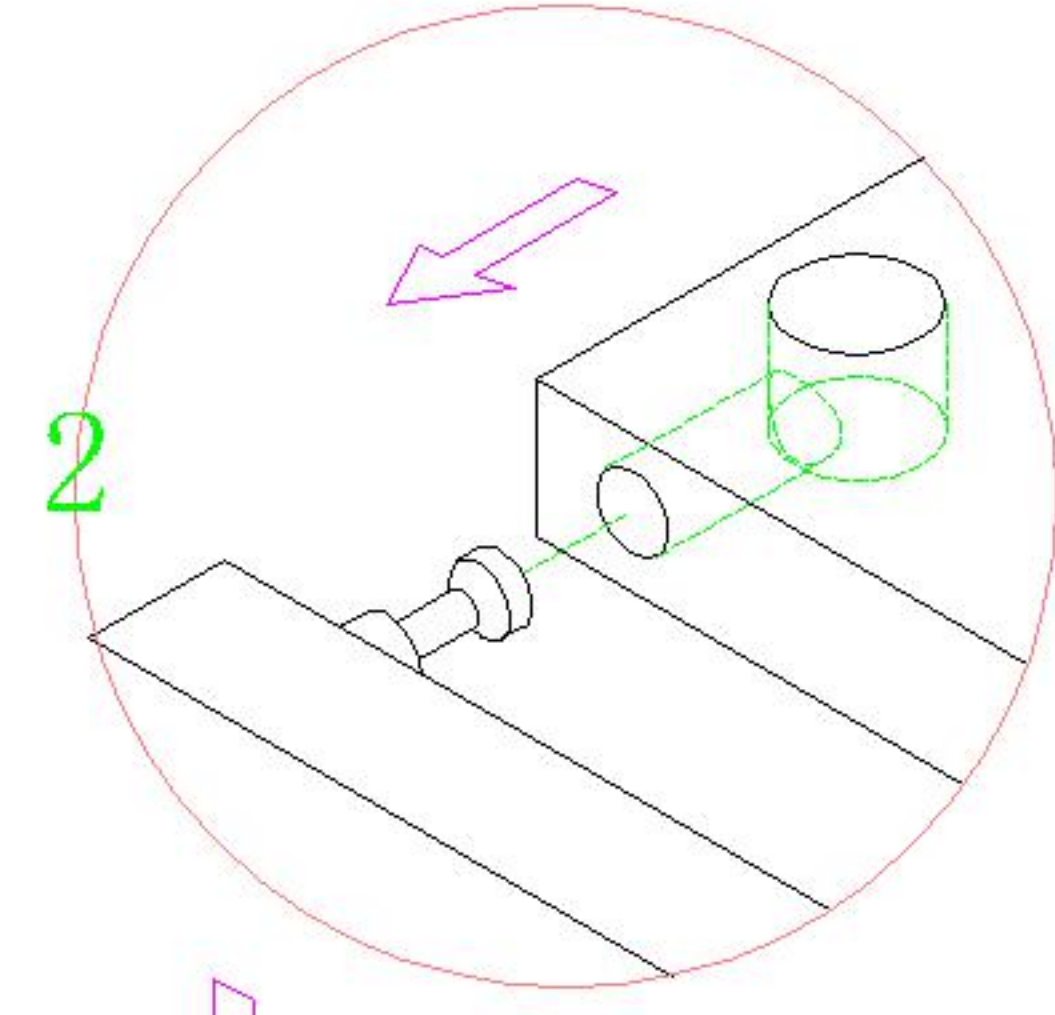
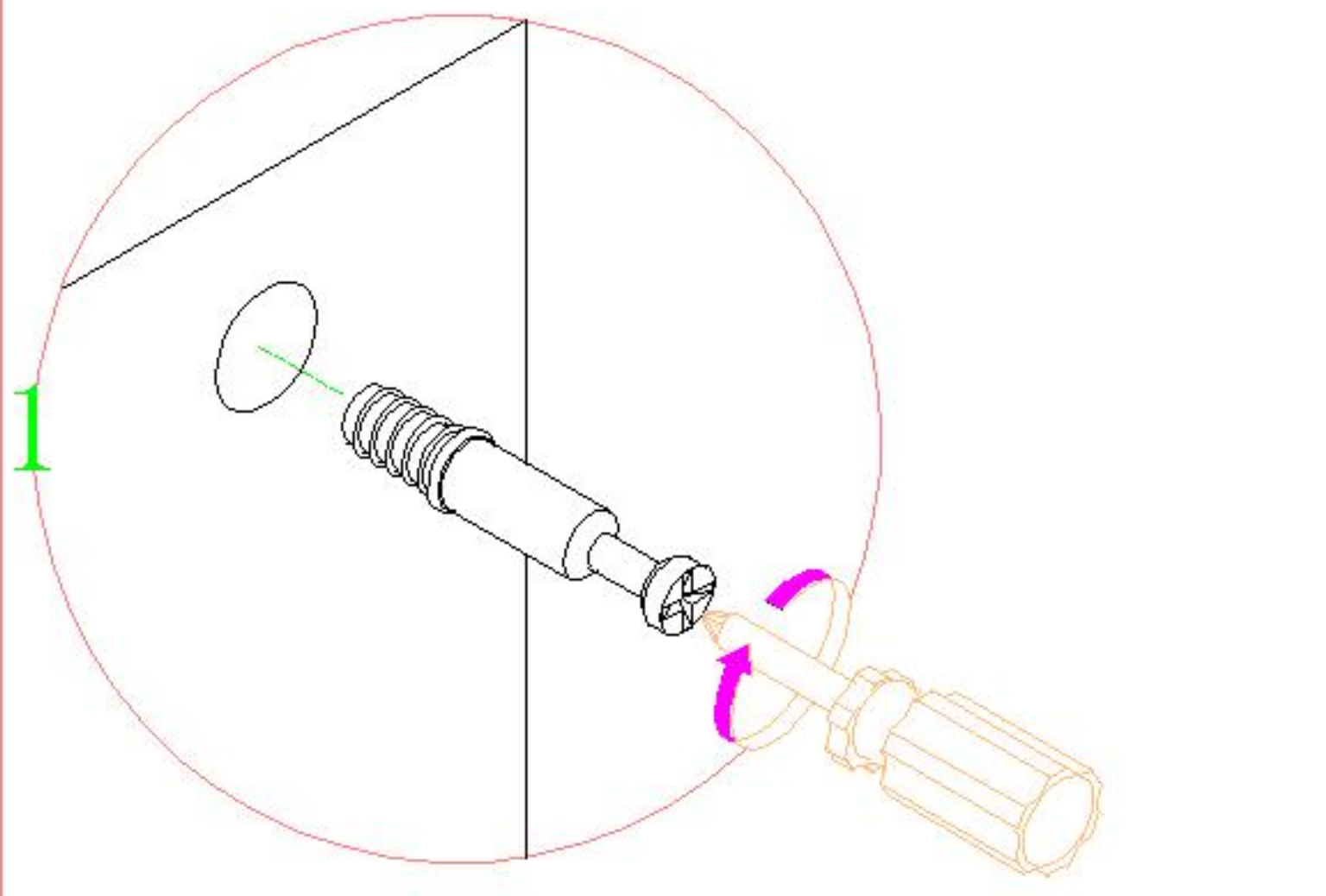


 (A)* 4 透明防滑PVC胶塞 PVC rubber plug	 (B)* 6 背板扣 Back Plate Buckle-White	 (C)* 8 层板托 shelf support	 (D)* 2 挂衣托 Clothes hanger
 (E)* 1 透气孔盖-白色 Vent cover - white	 (F)* 8 缓冲门铰大弯-Ø35 Hinge-big bends	 (G)* 25 二合一螺杆(35mm) 2-in-1-screw	 (H)* 25 大三合一锁饼 Three-in-one large lock
 (I)* 4 拉手螺丝-M4x30mm pulling screw	 (J)* 4 斜边十字螺杆-M8x55 bevel cross screw	 (K)* 4 自攻螺丝M3.5x12mm Self-tapping screw	 (L)* 6 自攻螺丝M3.5x16mm Self-tapping screw
 (M)* 8 木榫Ø8x30mm wood tenon	 (N)* 1 挂衣杆-L=758mm Clothes hanger	 (O)* 4 锤母-(M8*15mm) Hammer nut	 (P)* 2 家具防倒器-白色 Anti-fall device white

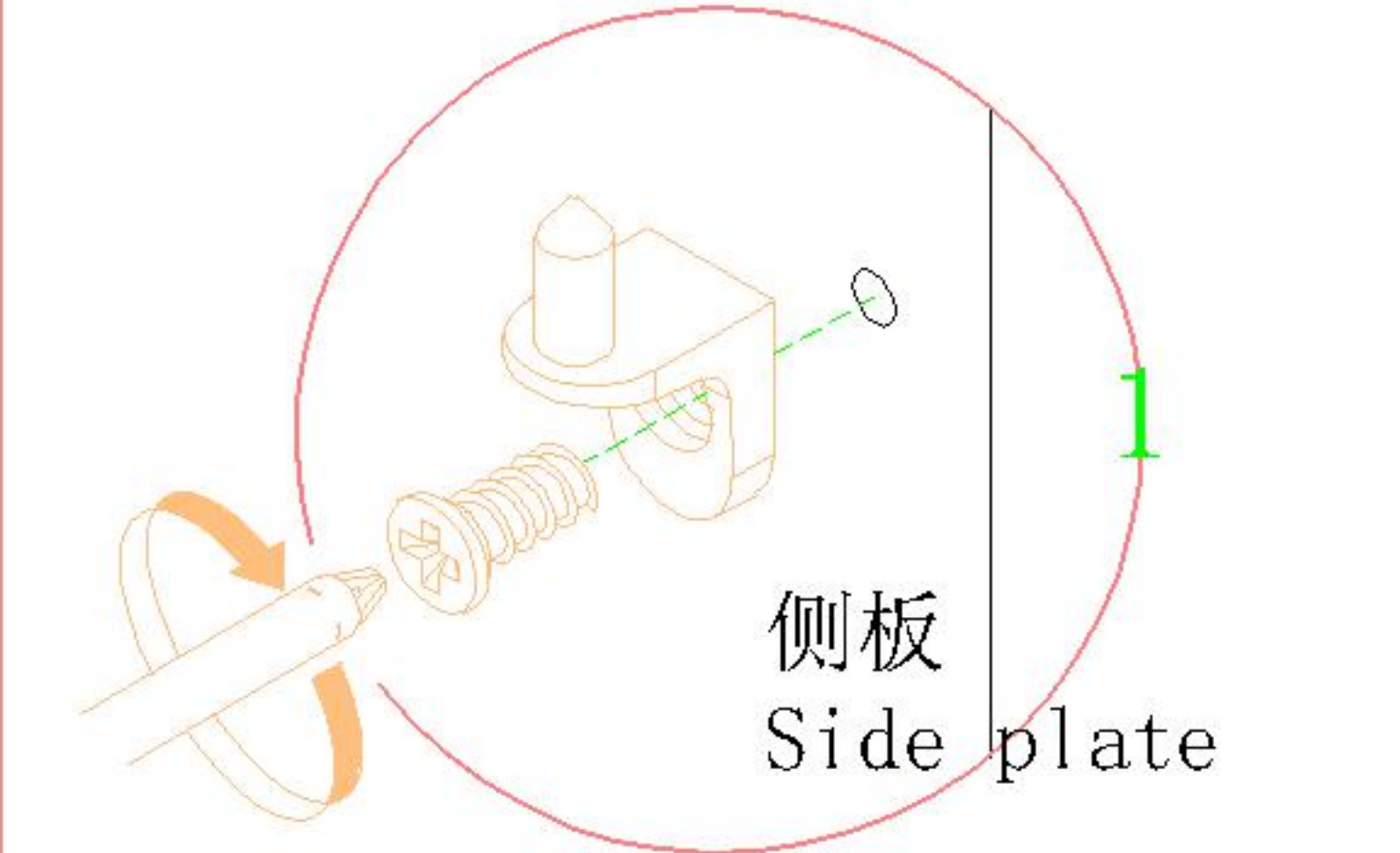
编号NO.	名称Name	规格 (mm) Specification	数量QTY	材质Material
①	顶板 Top board	804*594*18	1	三胺板Melamine
②	左侧板 Side board(L)	1888*594*18	1	三胺板Melamine
③	右侧板 Side board(R)	1888*594*18	1	三胺板Melamine
④	底板 Bottom board	804*594*18	1	三胺板Melamine
⑤	脚 Foot	130*46*46	4	实木Wood
⑥	活动层板 Movable shelf	765*552*18	2	三胺板Melamine
⑦	门板 Door board	1882*282*18	2	三胺板Melamine
⑧	边背拉条 Side back brace	1888*101*15	2	三胺板Melamine
⑨	大背板 Big backboard	1898*575*5	1	三胺板Melamine
⑩	长拉手 Long handle	208*25*20	2	实木Wood

JC19D-A1 (0.8m)

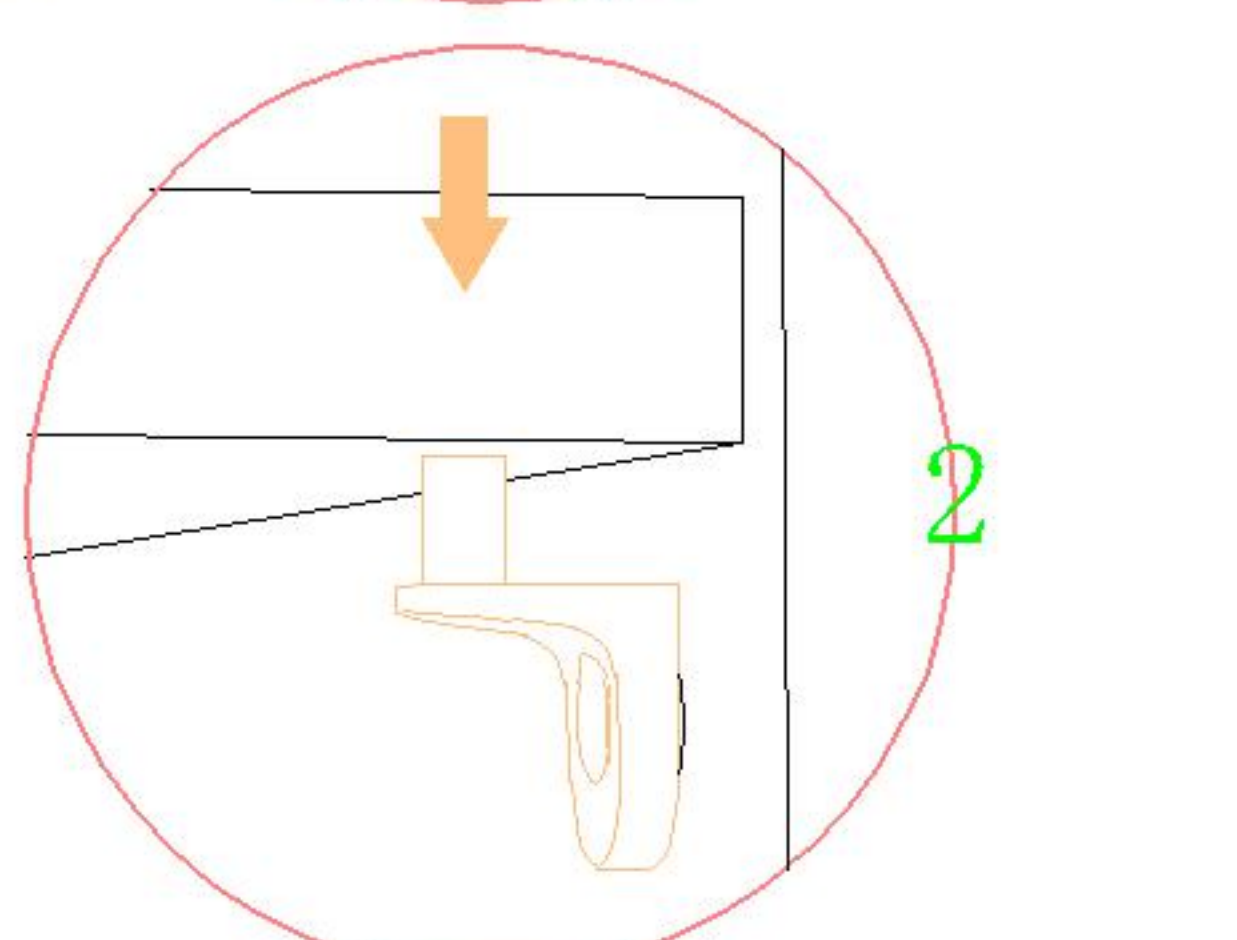
安装方法/
Installation method



大二合一
two-in-one



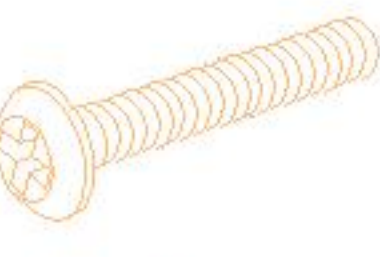
侧板
Side plate



层板托5mm
shelf support



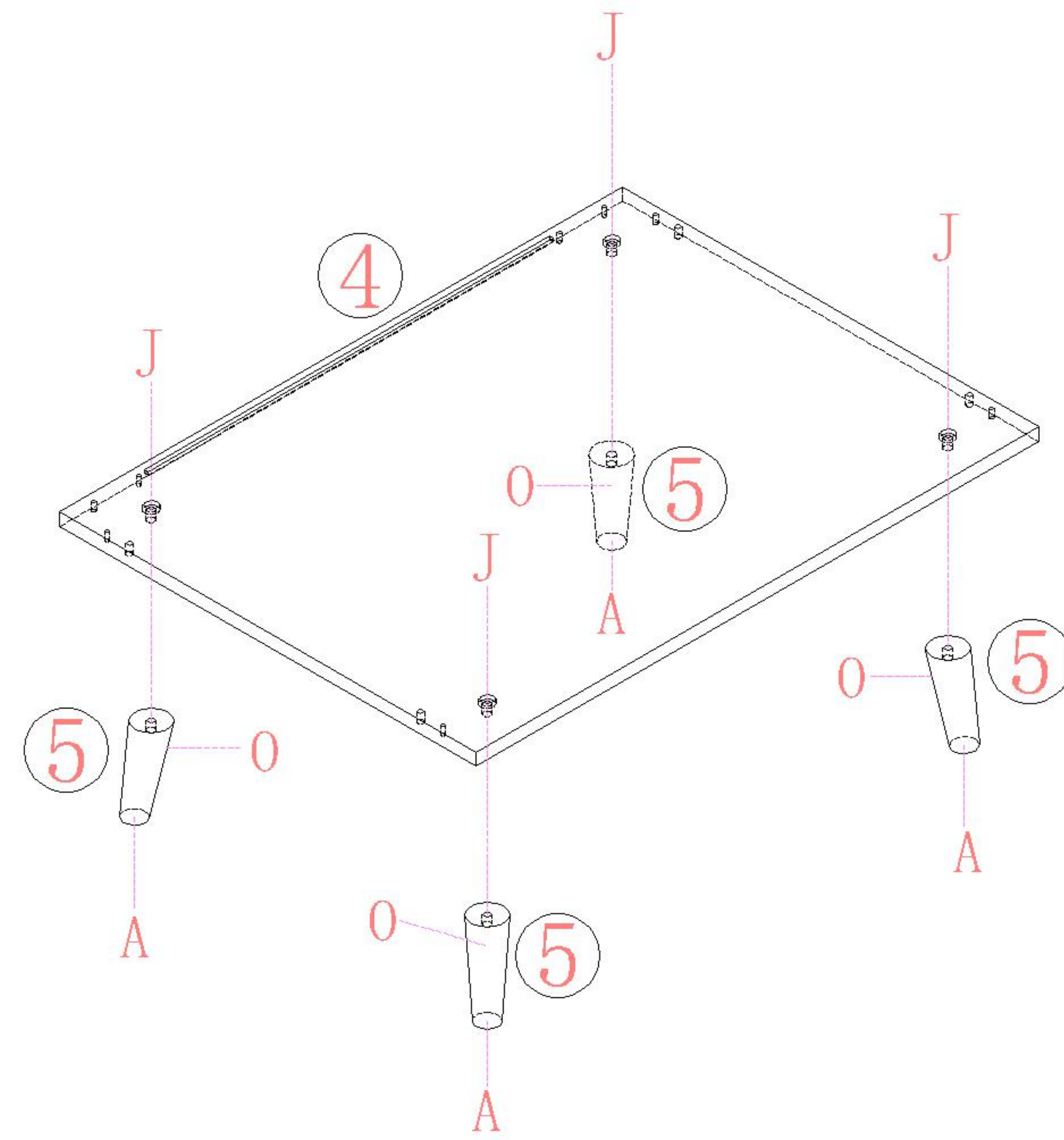
(A)*4



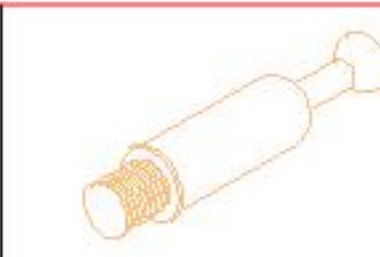
(J)*4



(O)*4



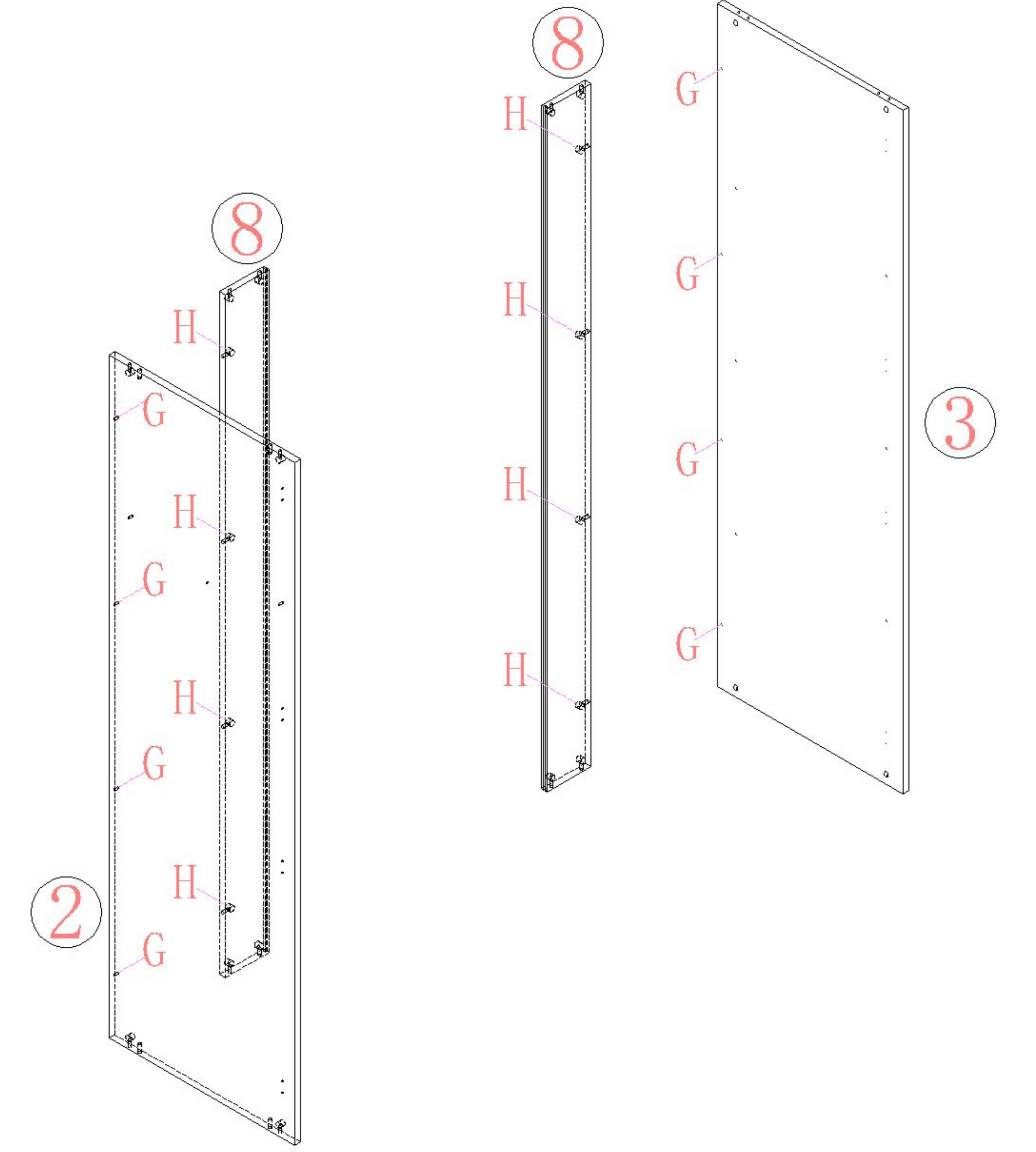
1



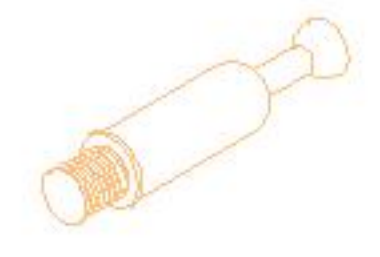
(G)*8



(H)*8



2



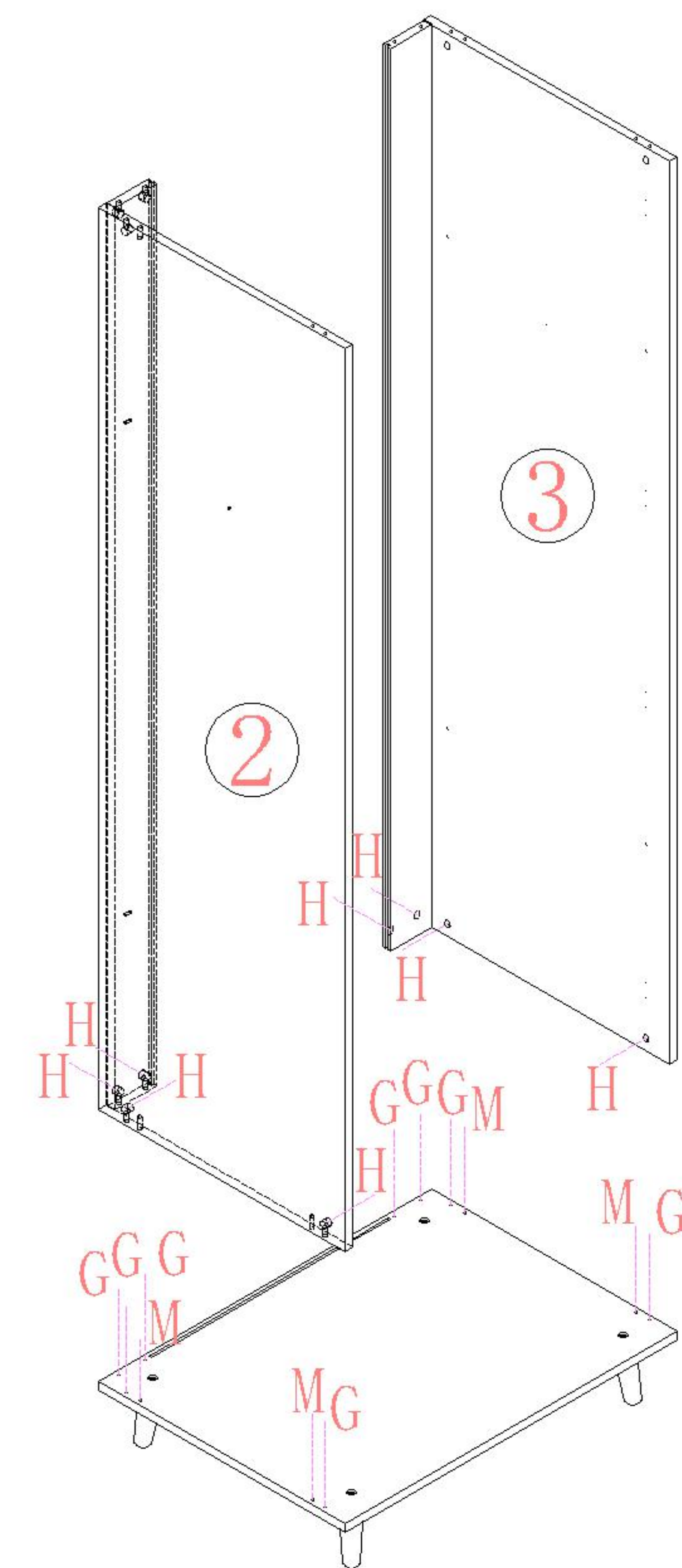
(G)*8



(H)*8

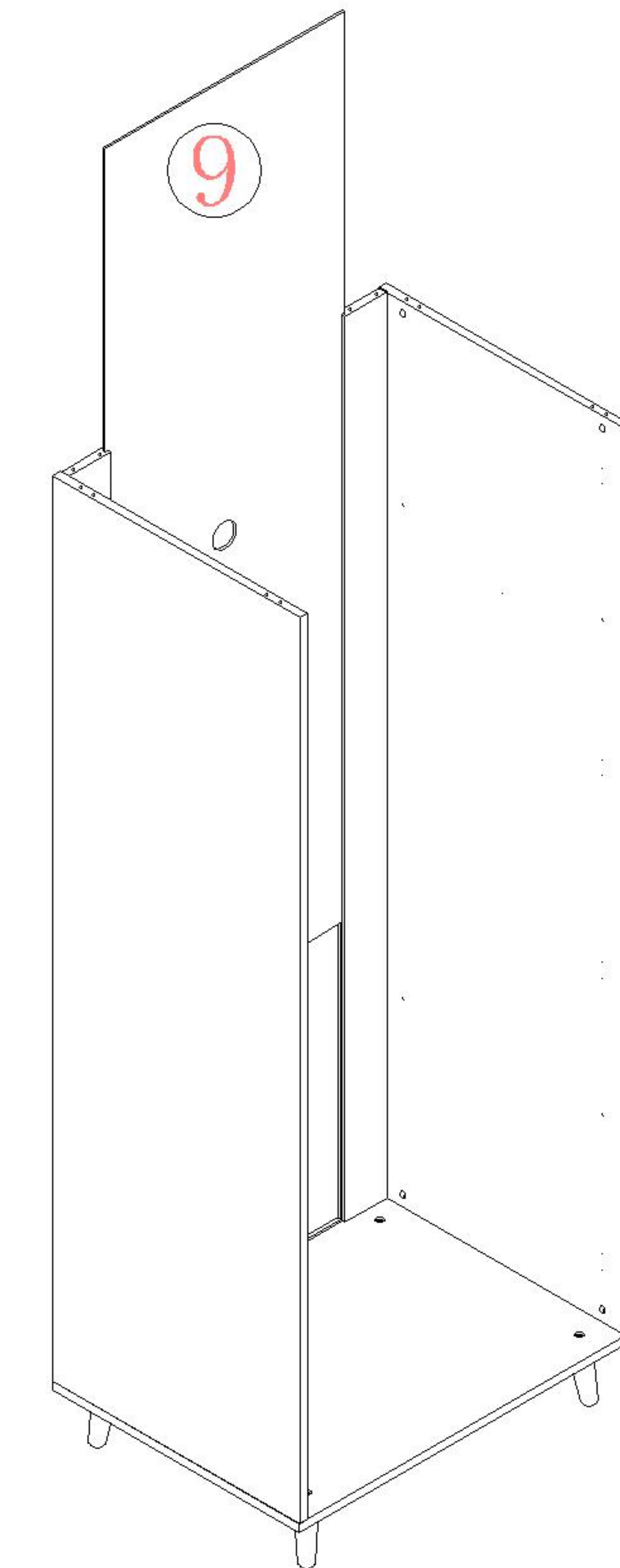


(M)*4



3

4

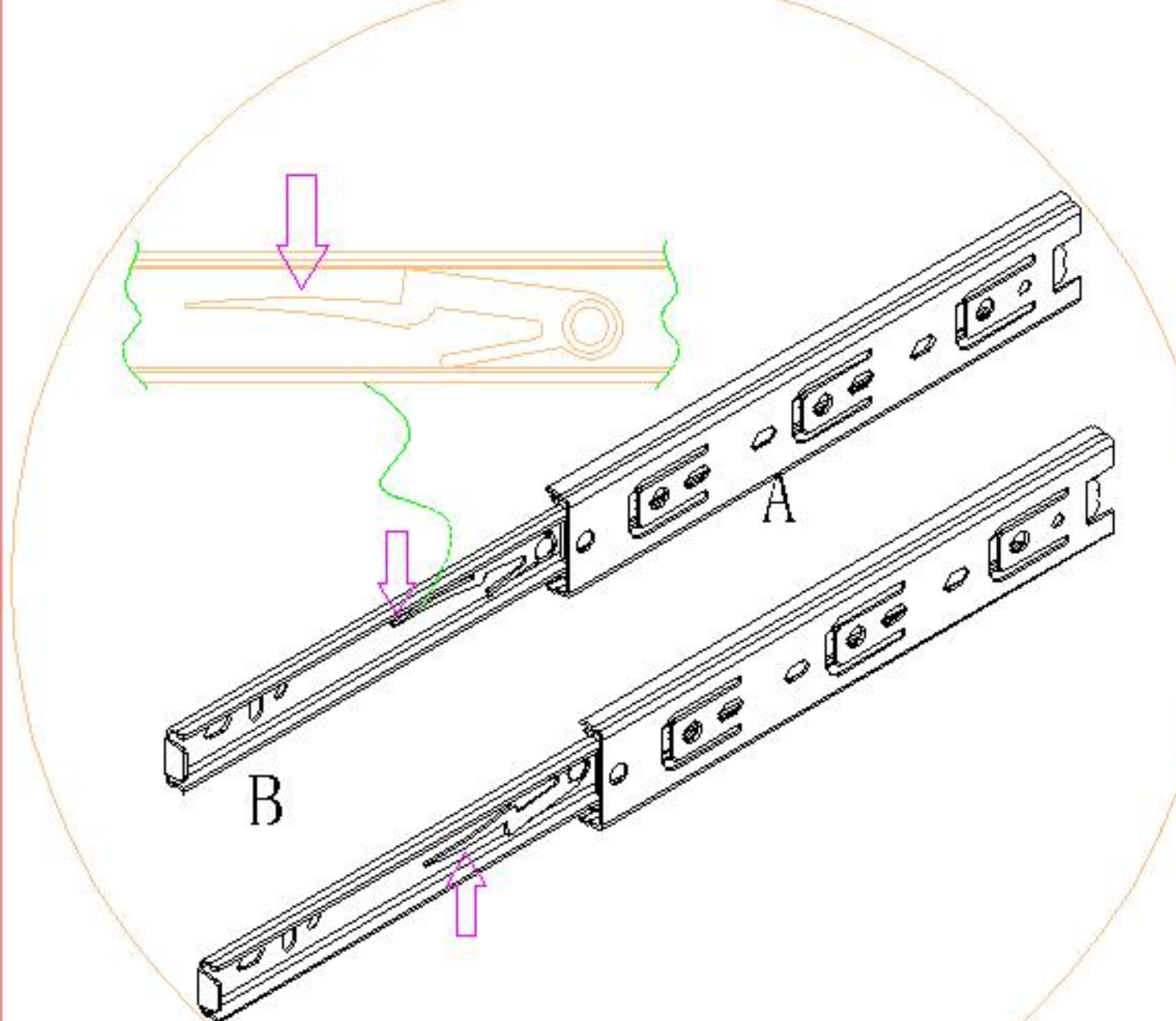


JC19D-A1 (0.8m)

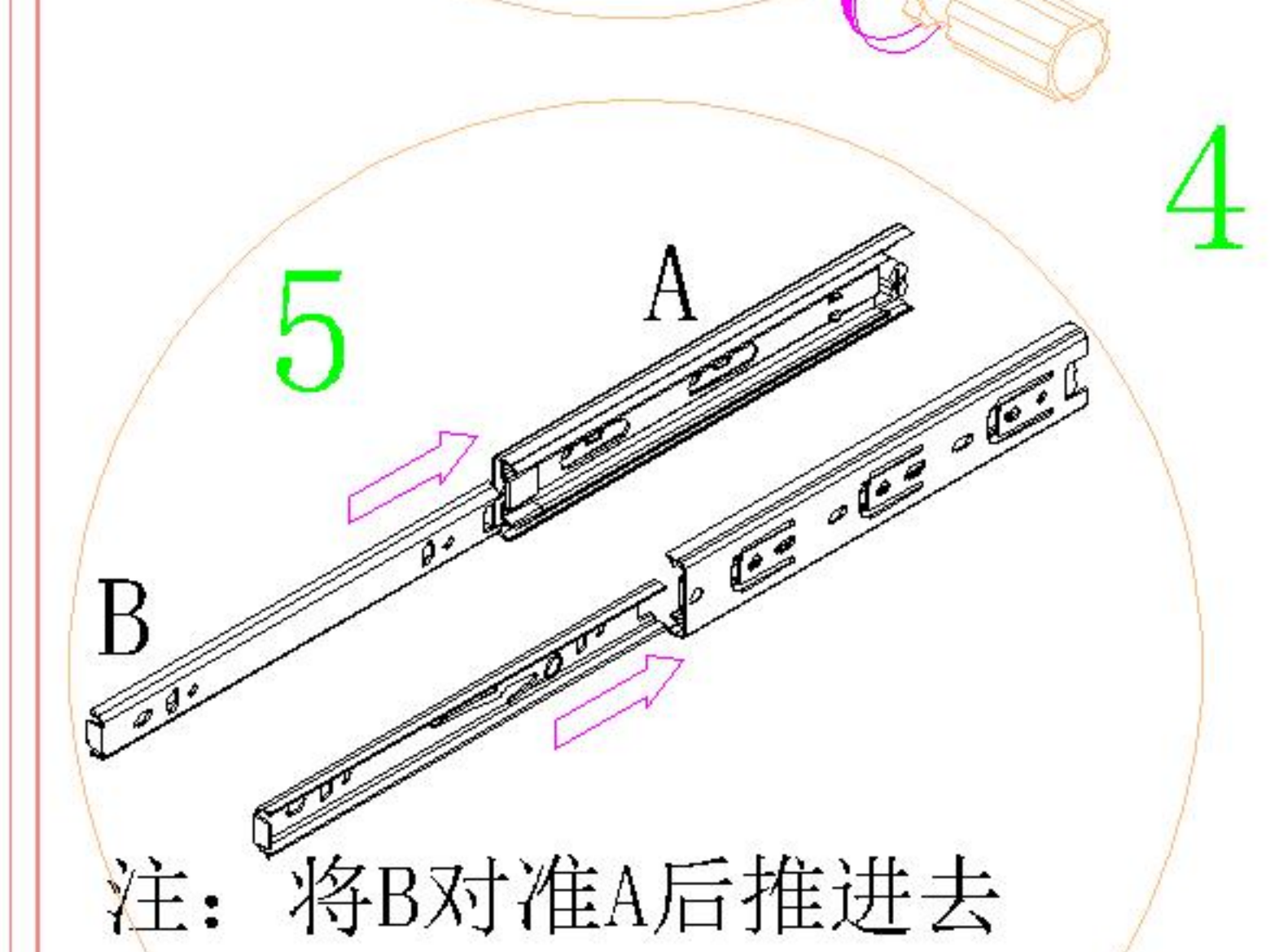
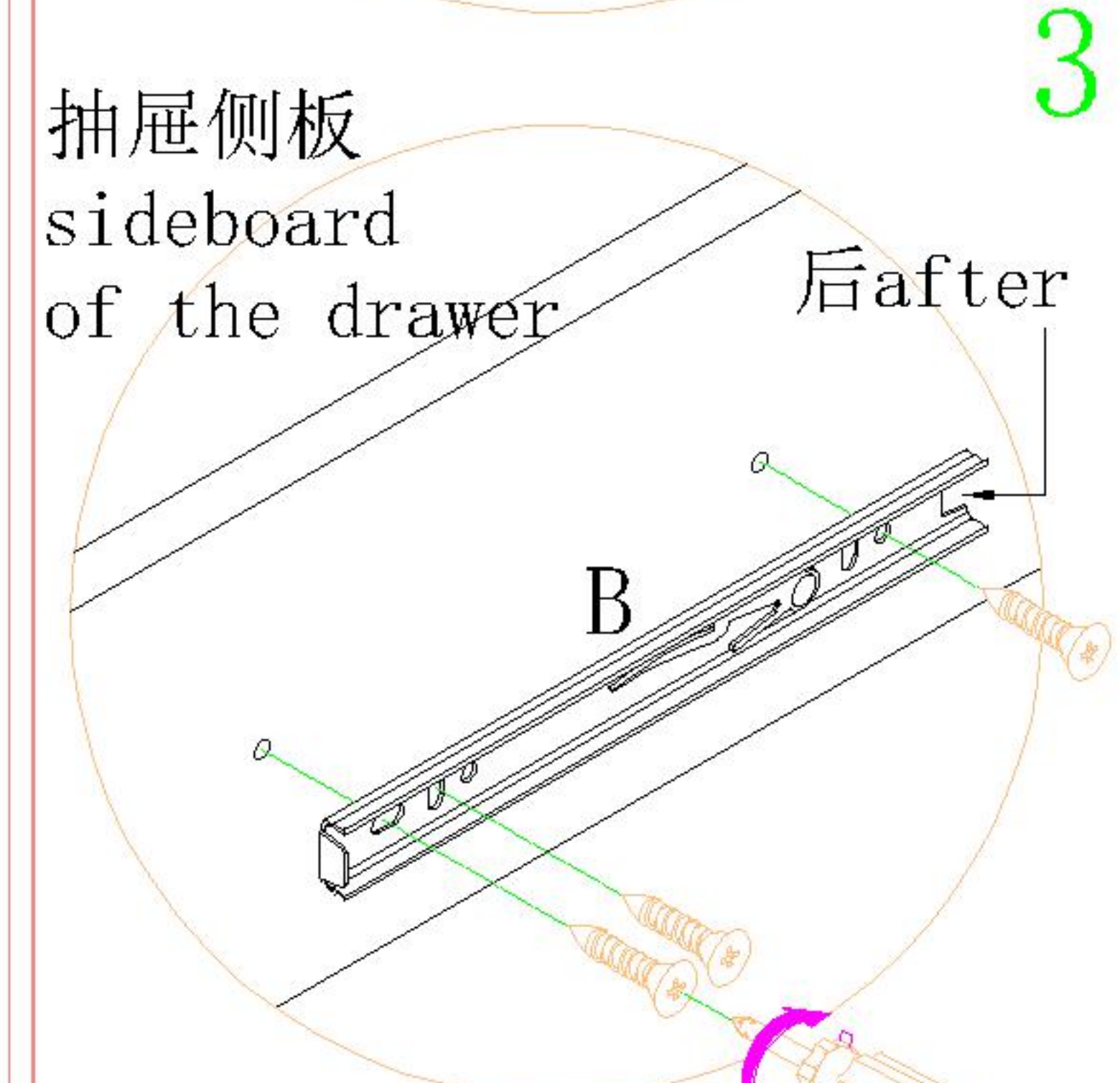
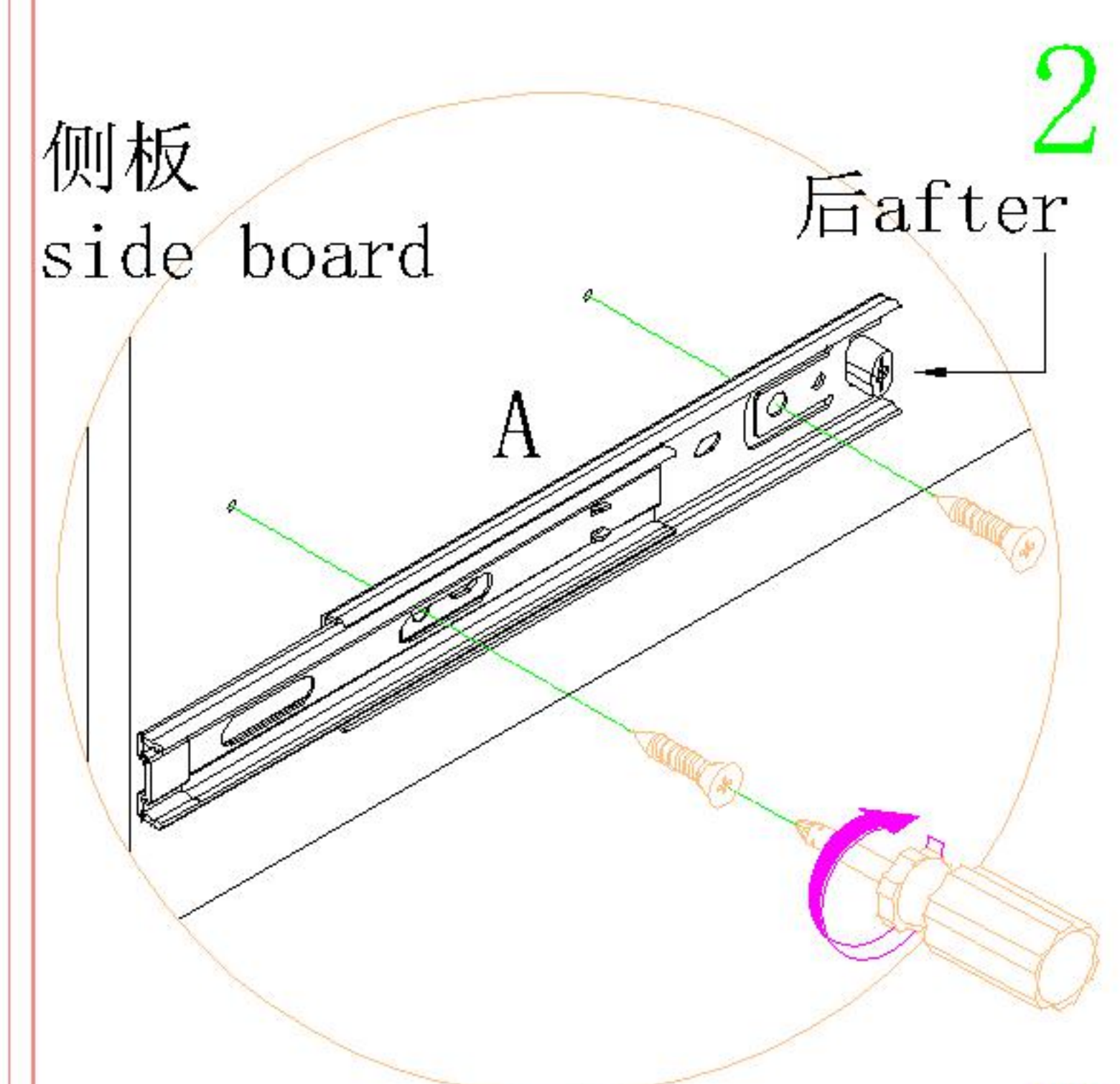
安装方法/
Installation method

阀门开关(下压为开)
Valve switch
(press down to open)

1

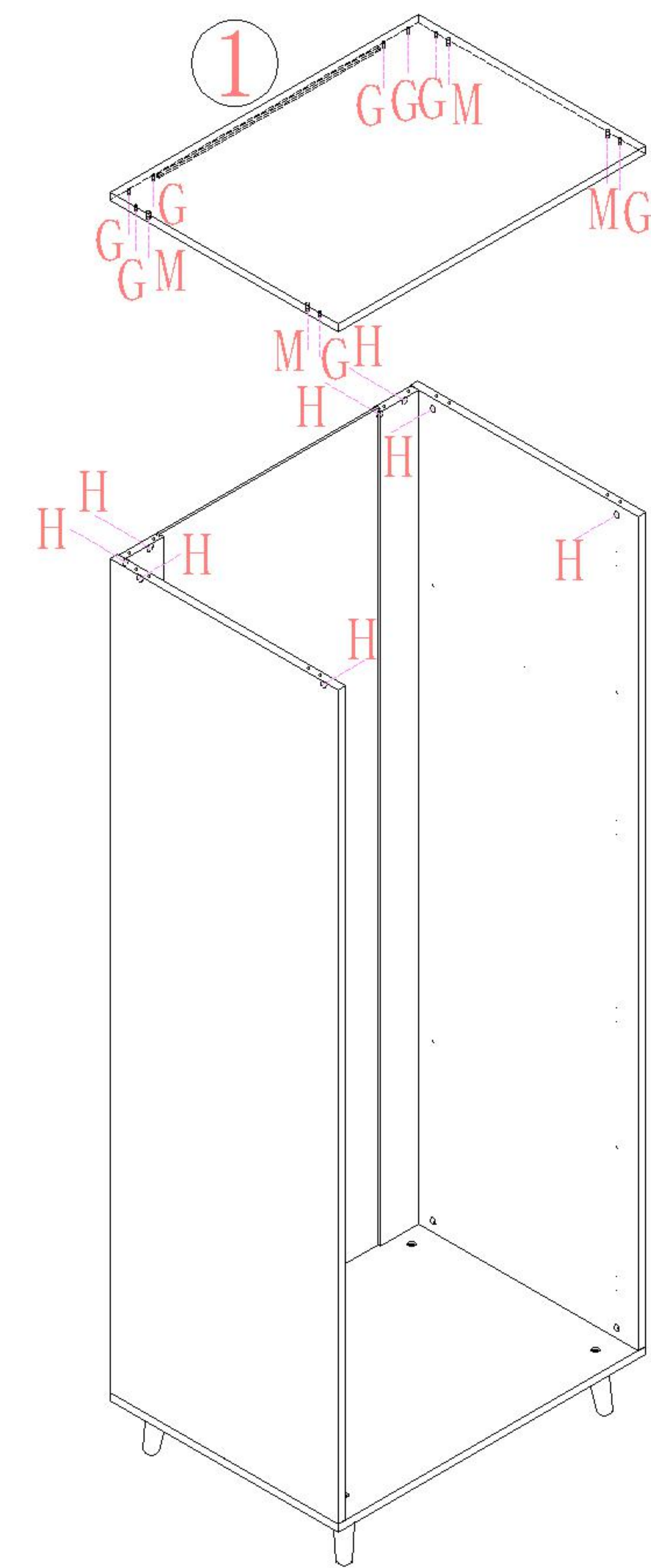


注: 先将A与B拆下来
Note: remove a and B first

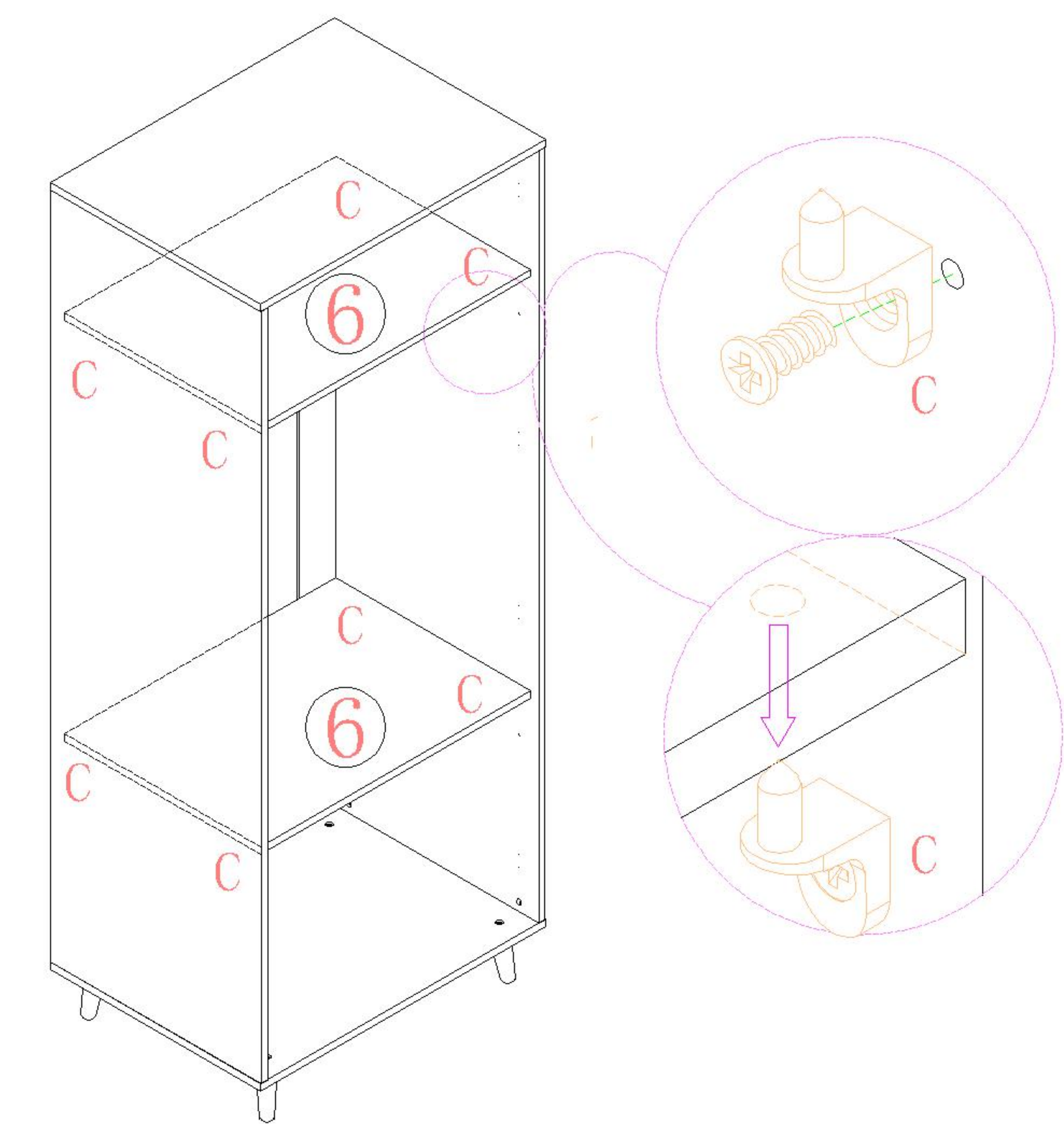
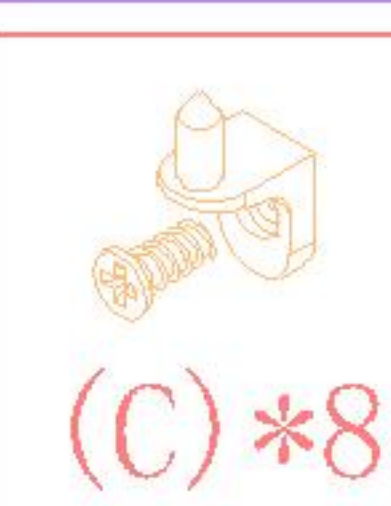


注: 将B对准A后推进去
Note: align B with a
and push it in

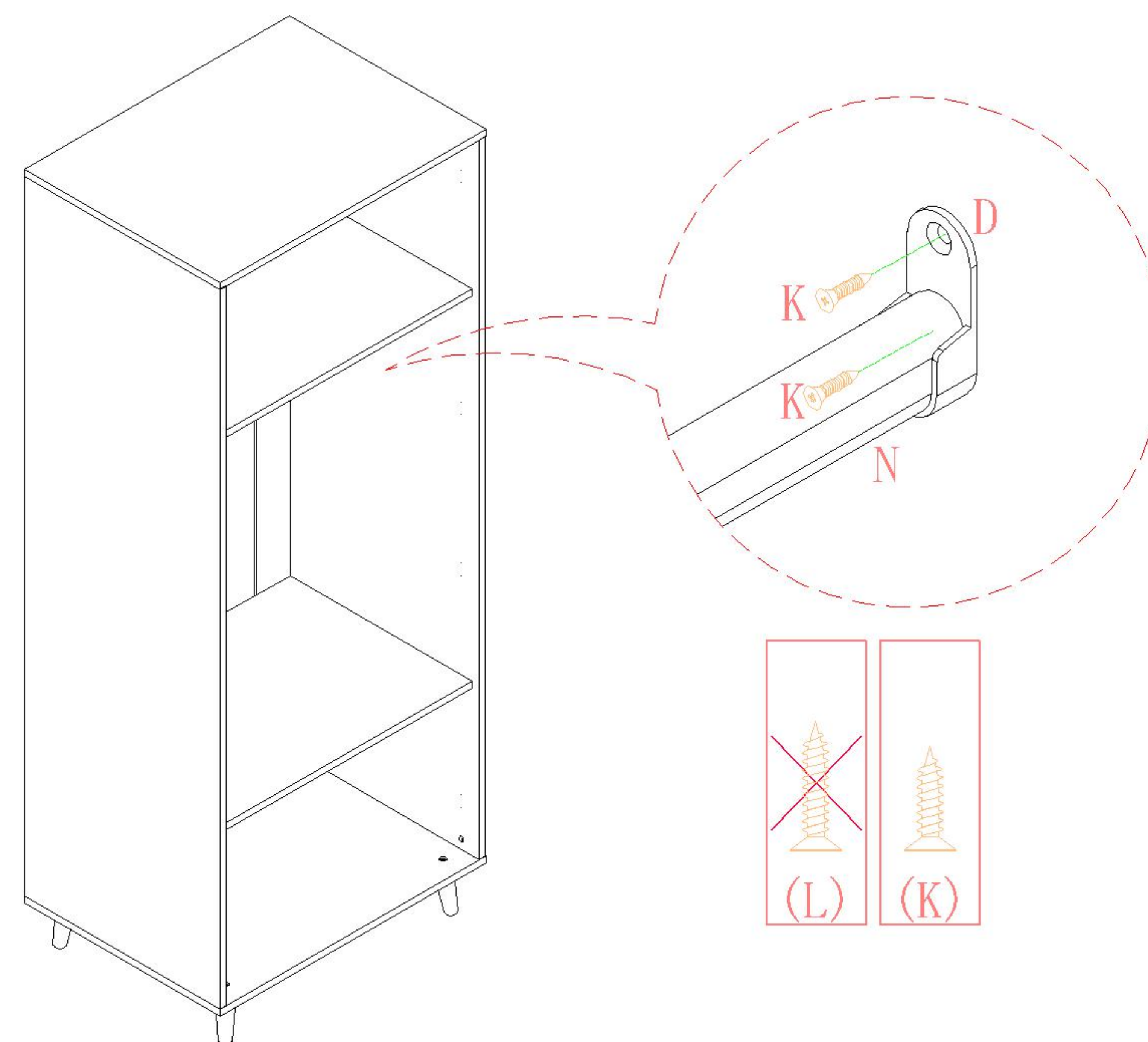
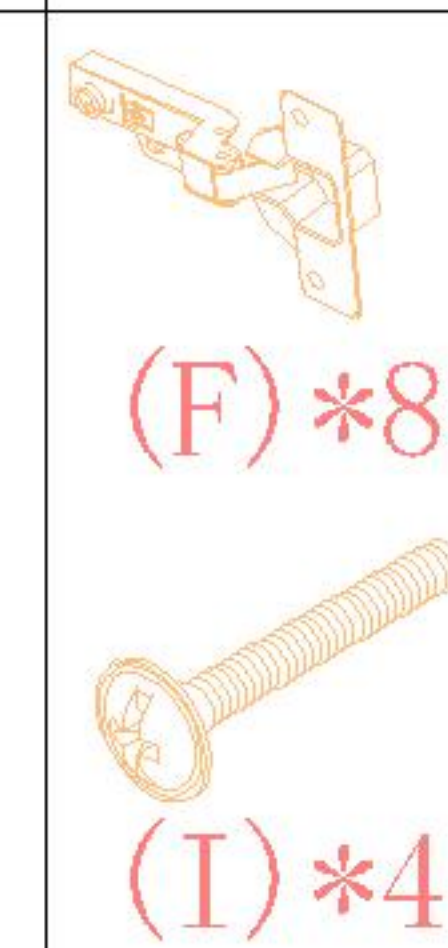
三节滚珠导轨
three-section ball rail



5

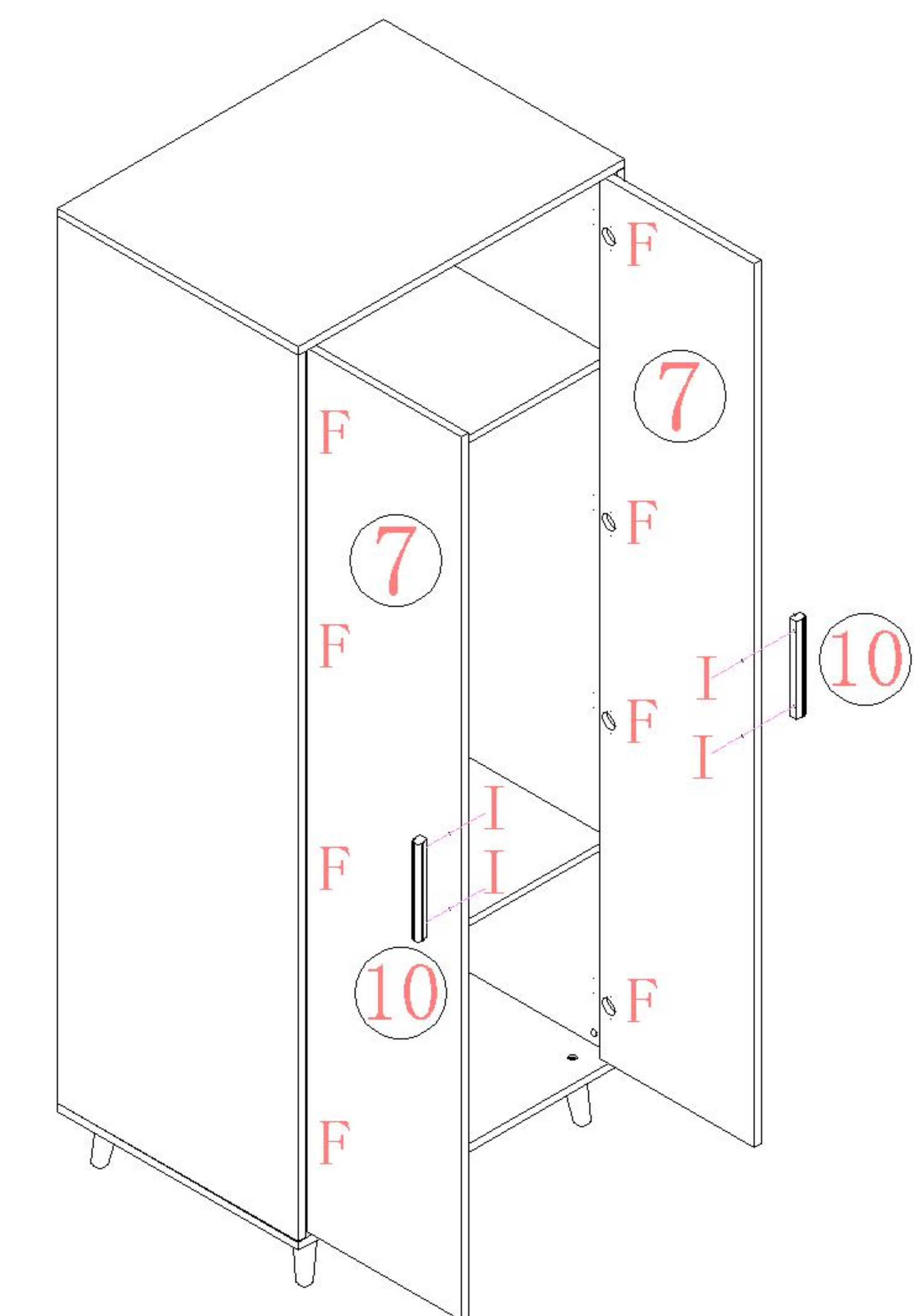


7



6

8



JC19D-A1 (0.8m)

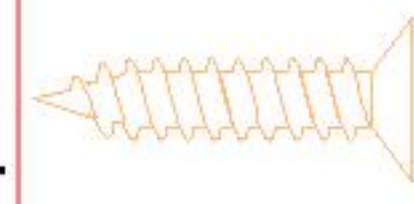
9

10

安装方法/
Installation method



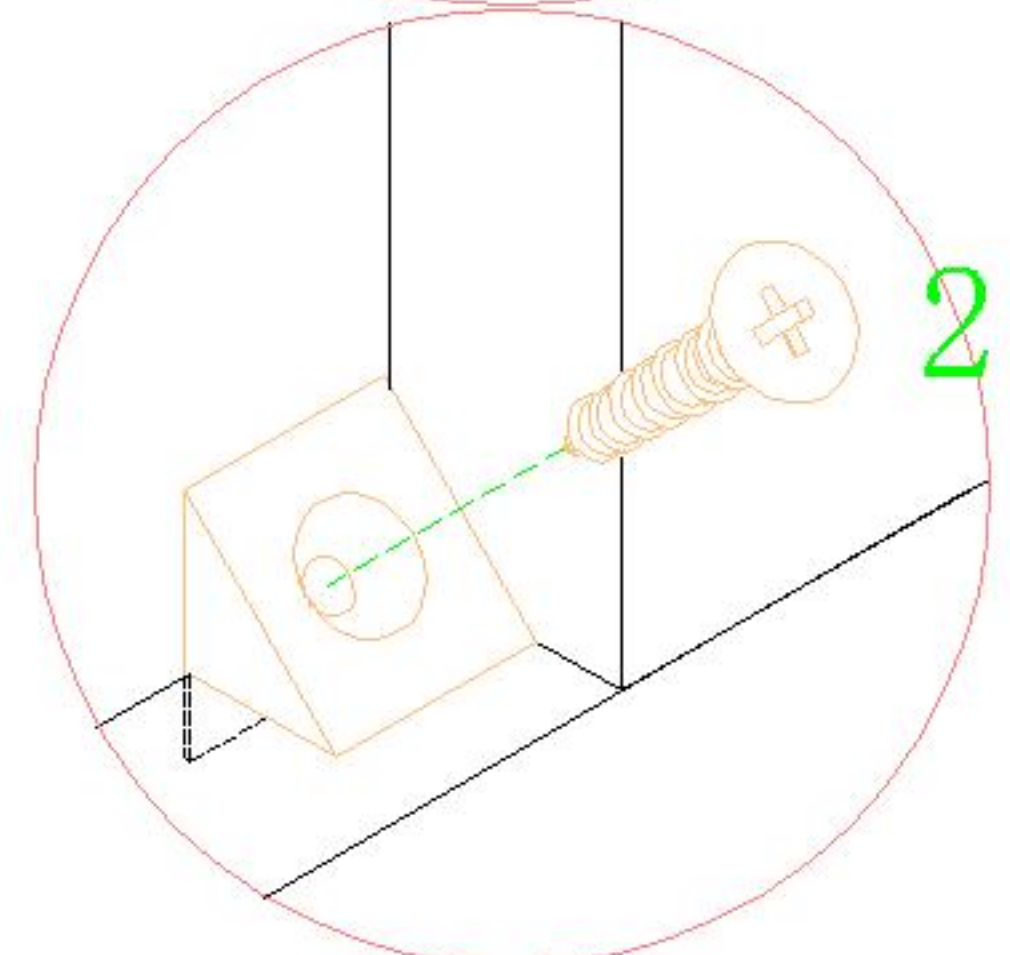
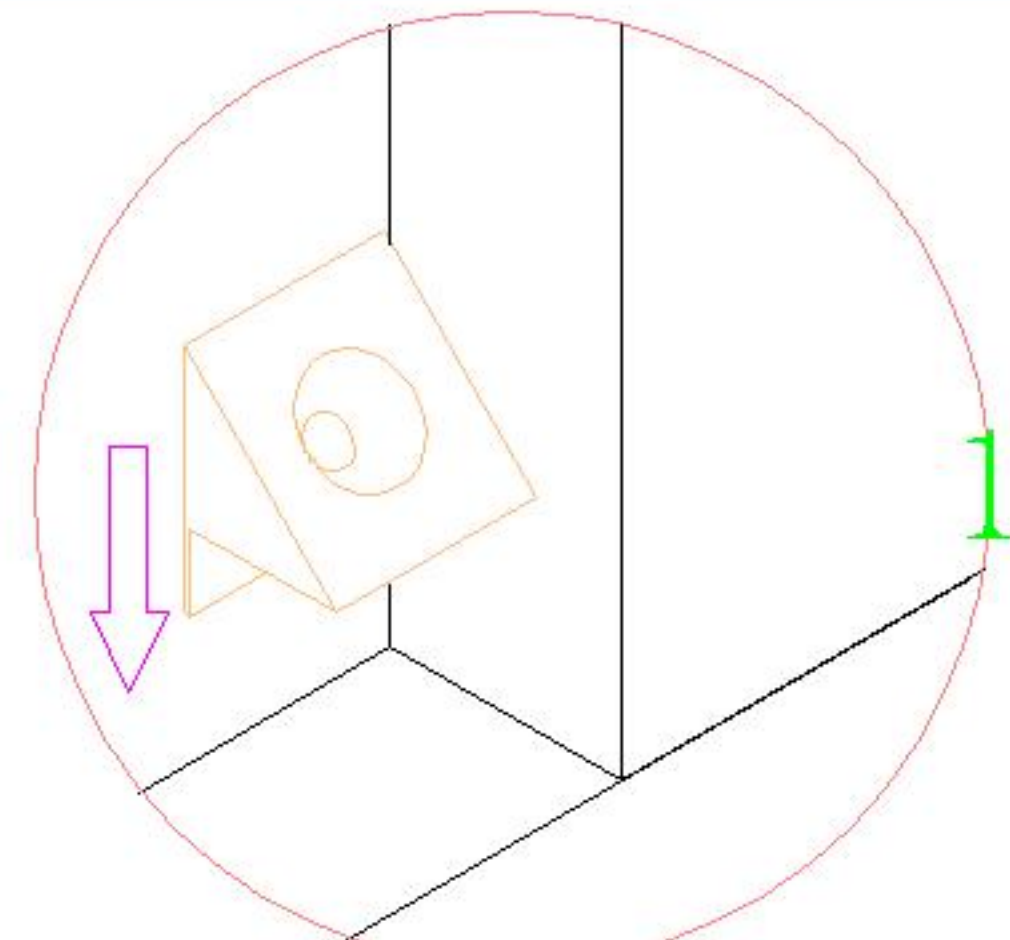
(B)*6



(L)*6



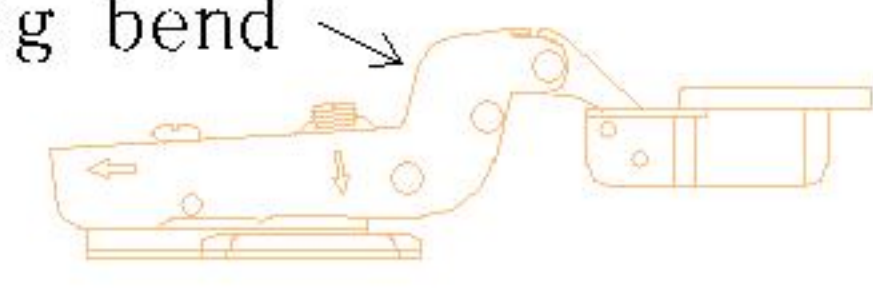
(E)*1



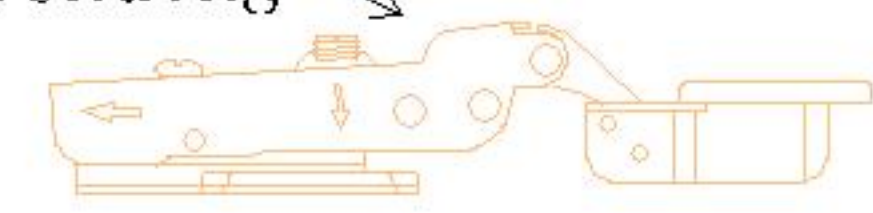
背板扣

Back Plate Buckle-White

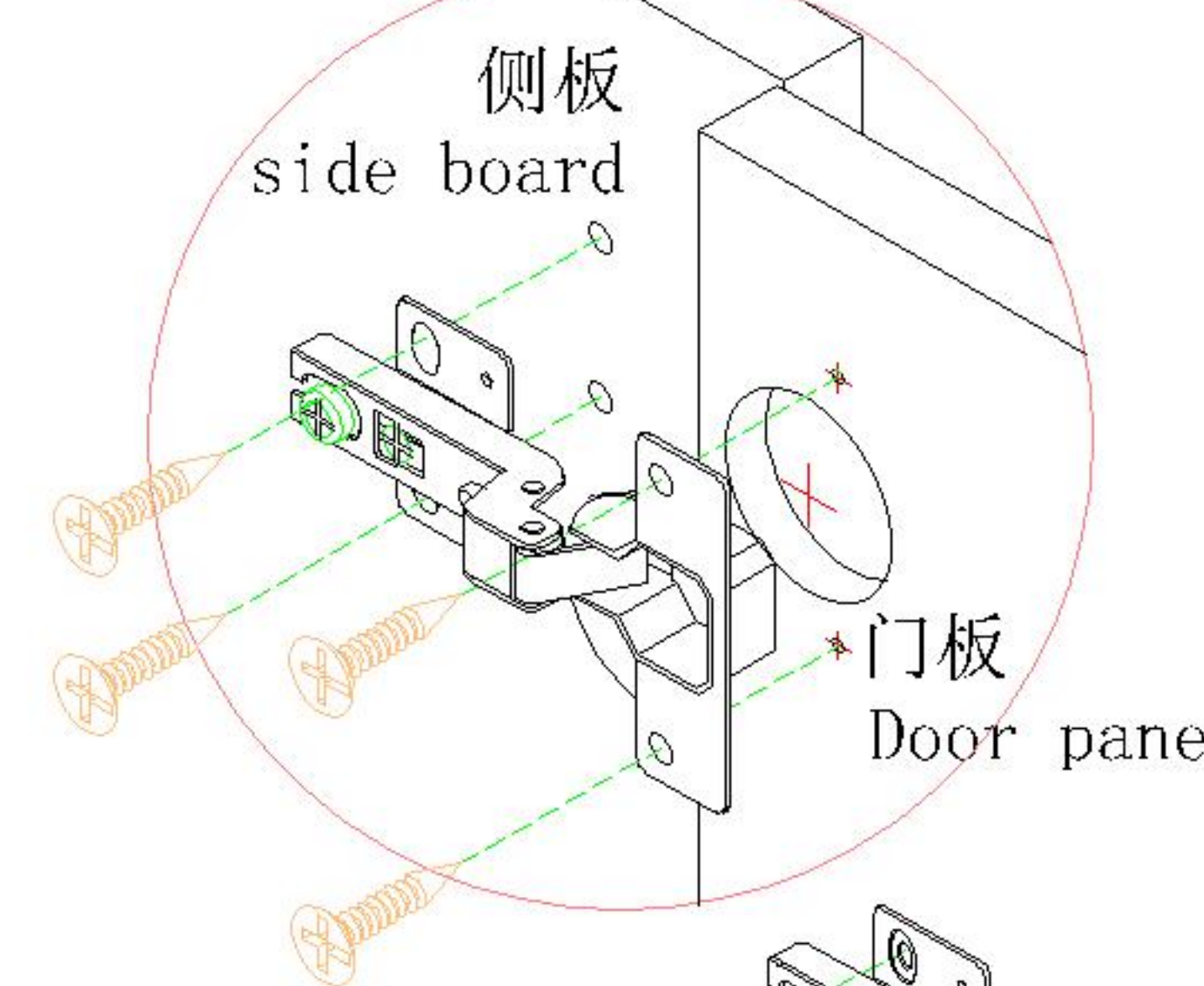
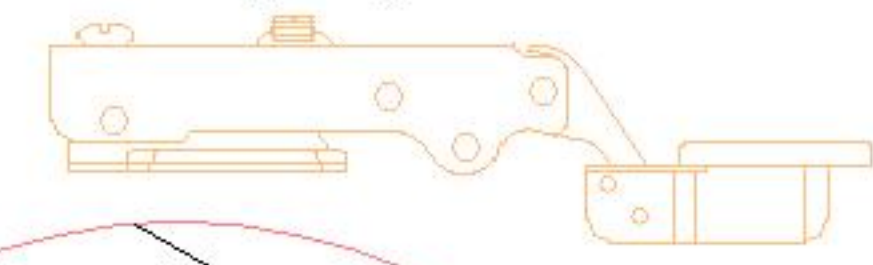
大弯big bend



中弯middle bending



直弯straight bending



侧板

side board

门板

Door panel

调节上下

Adjust up and down

调节左右

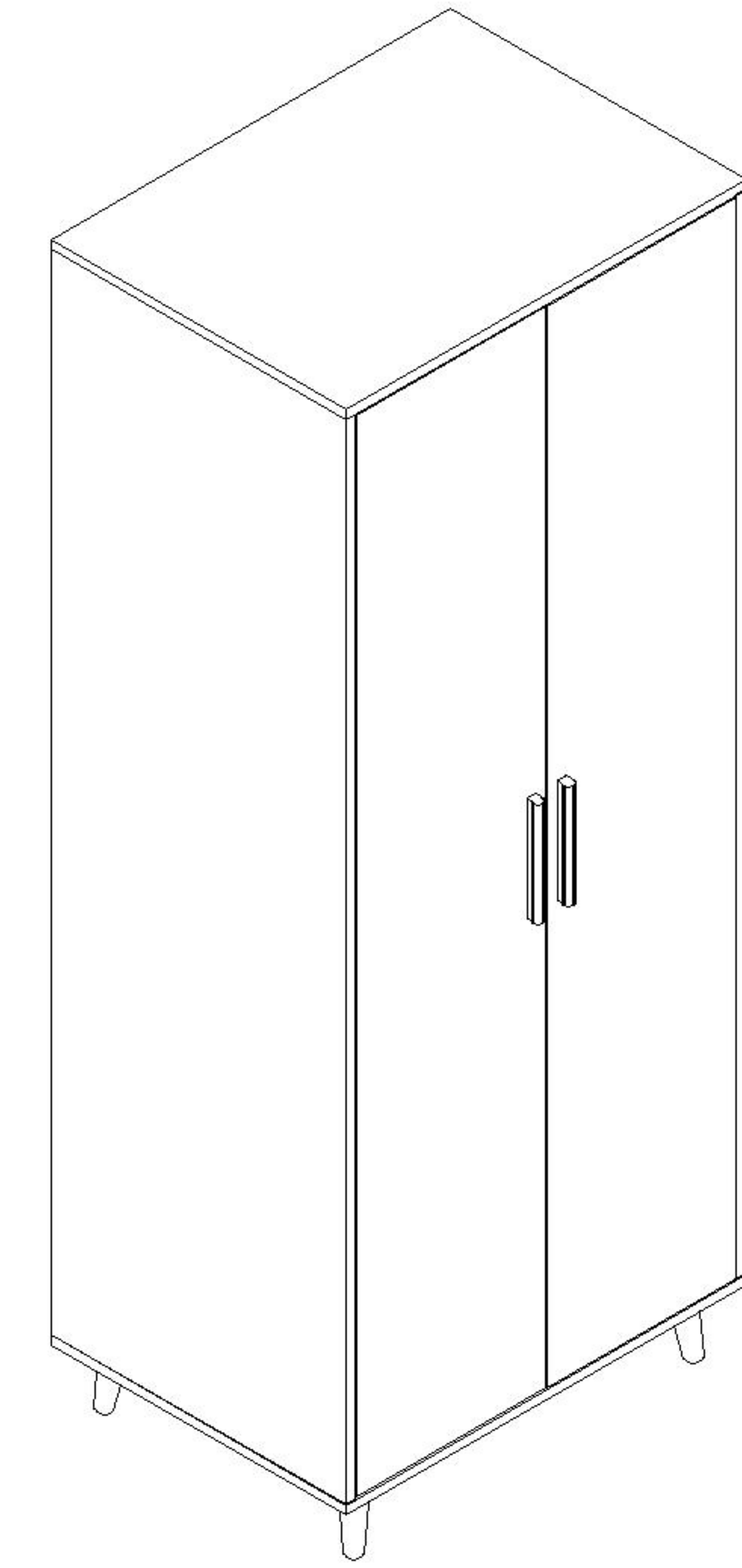
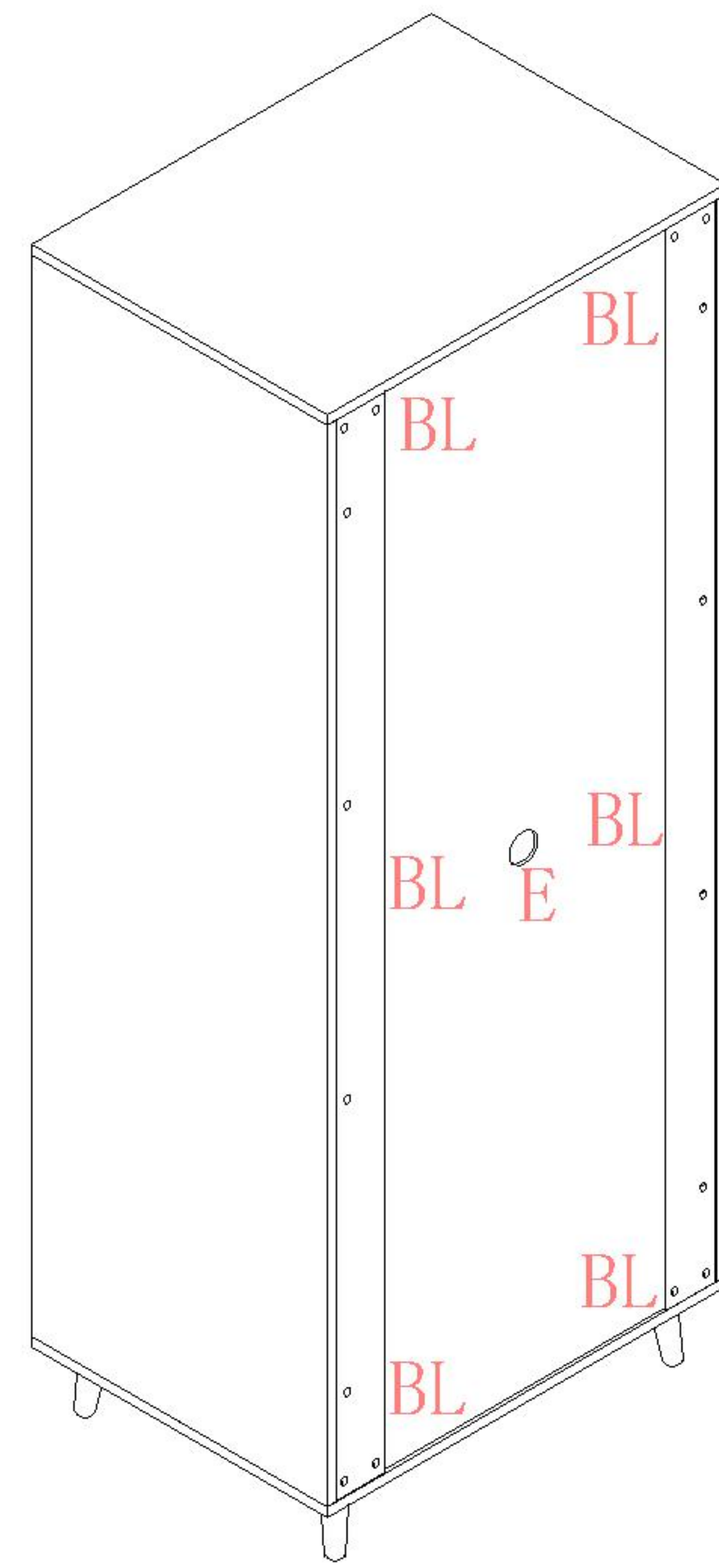
Adjust left and right

调节前后

Before and after adjustment

门铰

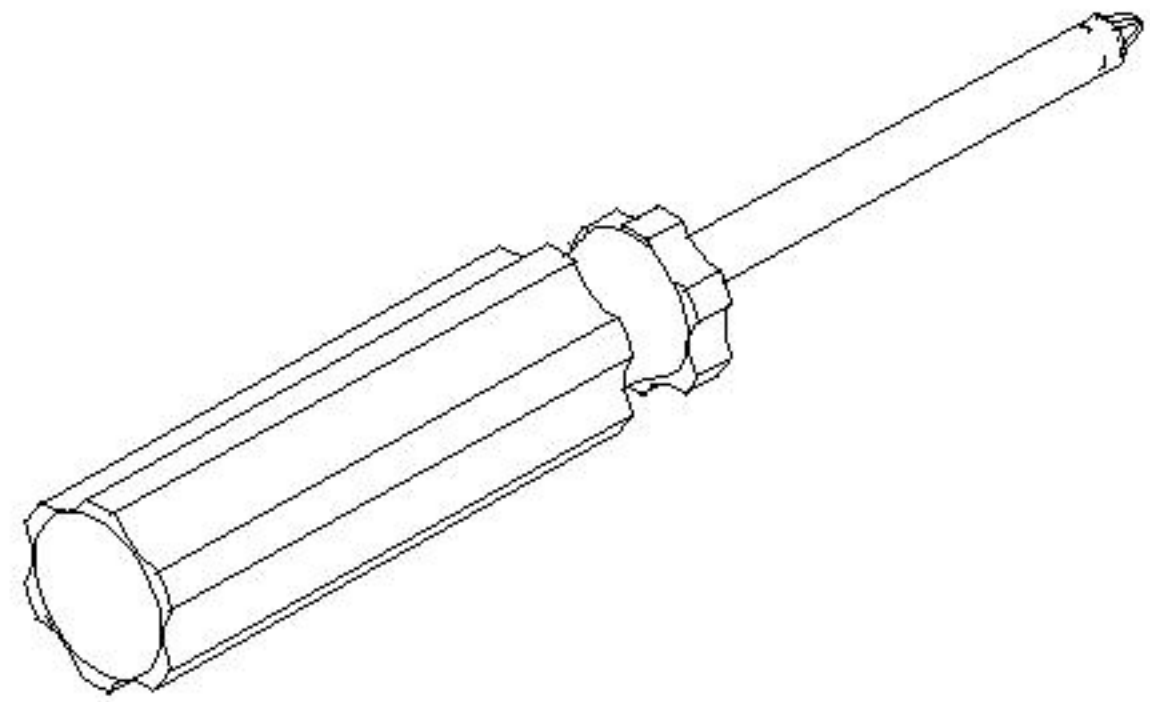
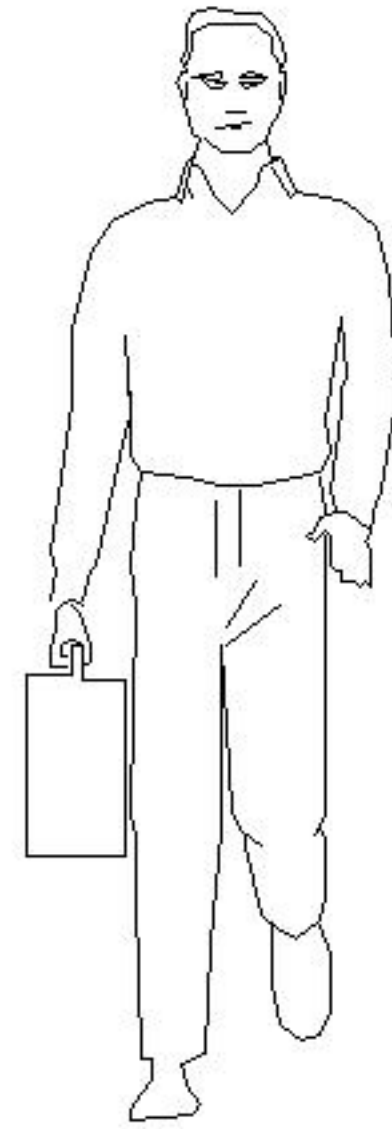
Hinge

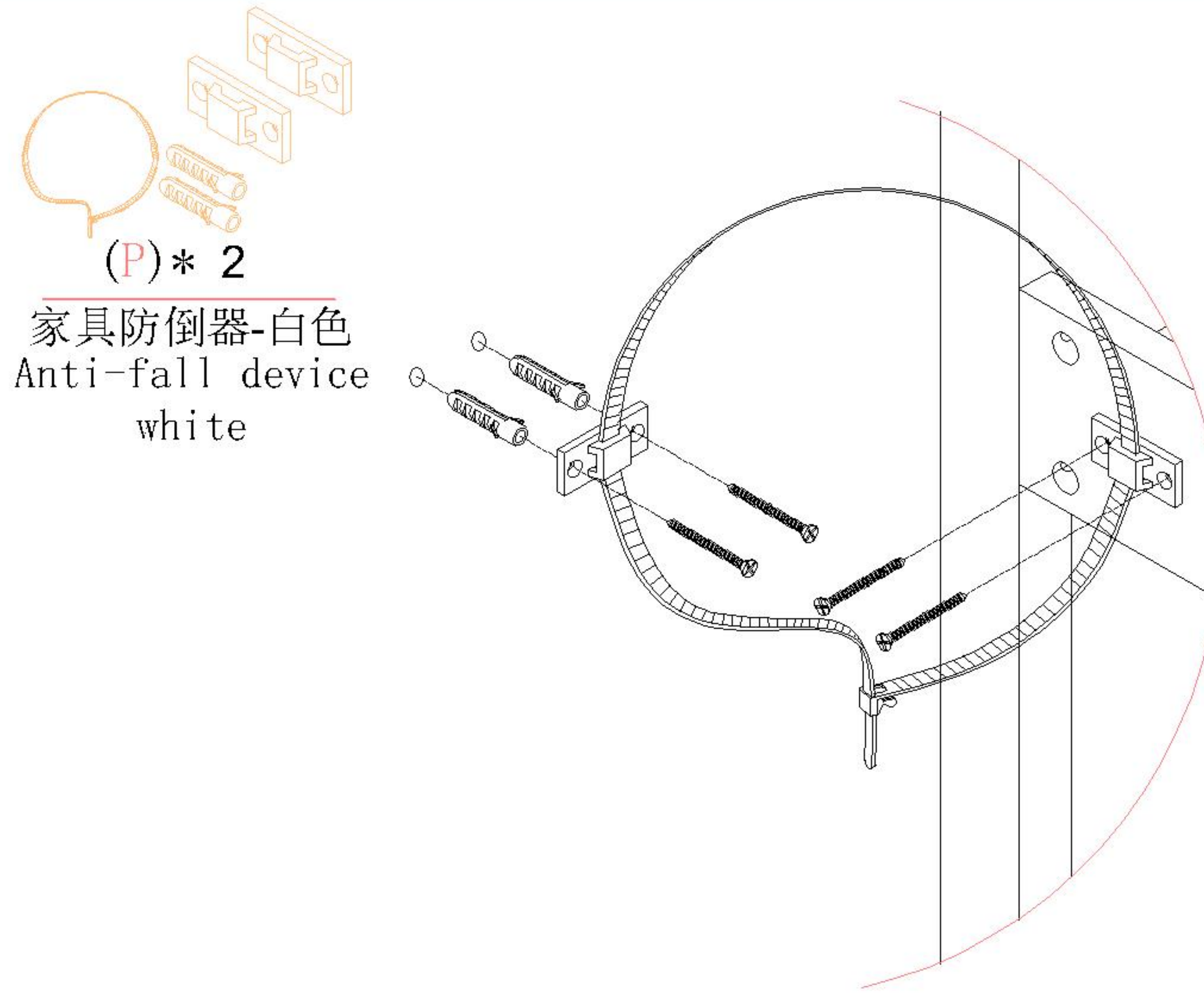


11

12

安装示意图/Assembly Instruction

产品名称 Model NO.	Anti-fall device
产品规格 Specification	-
安装工具 Tool	安装人数 Installer
	



P处放大图
Enlarged view at P

实体墙
Solid wall

