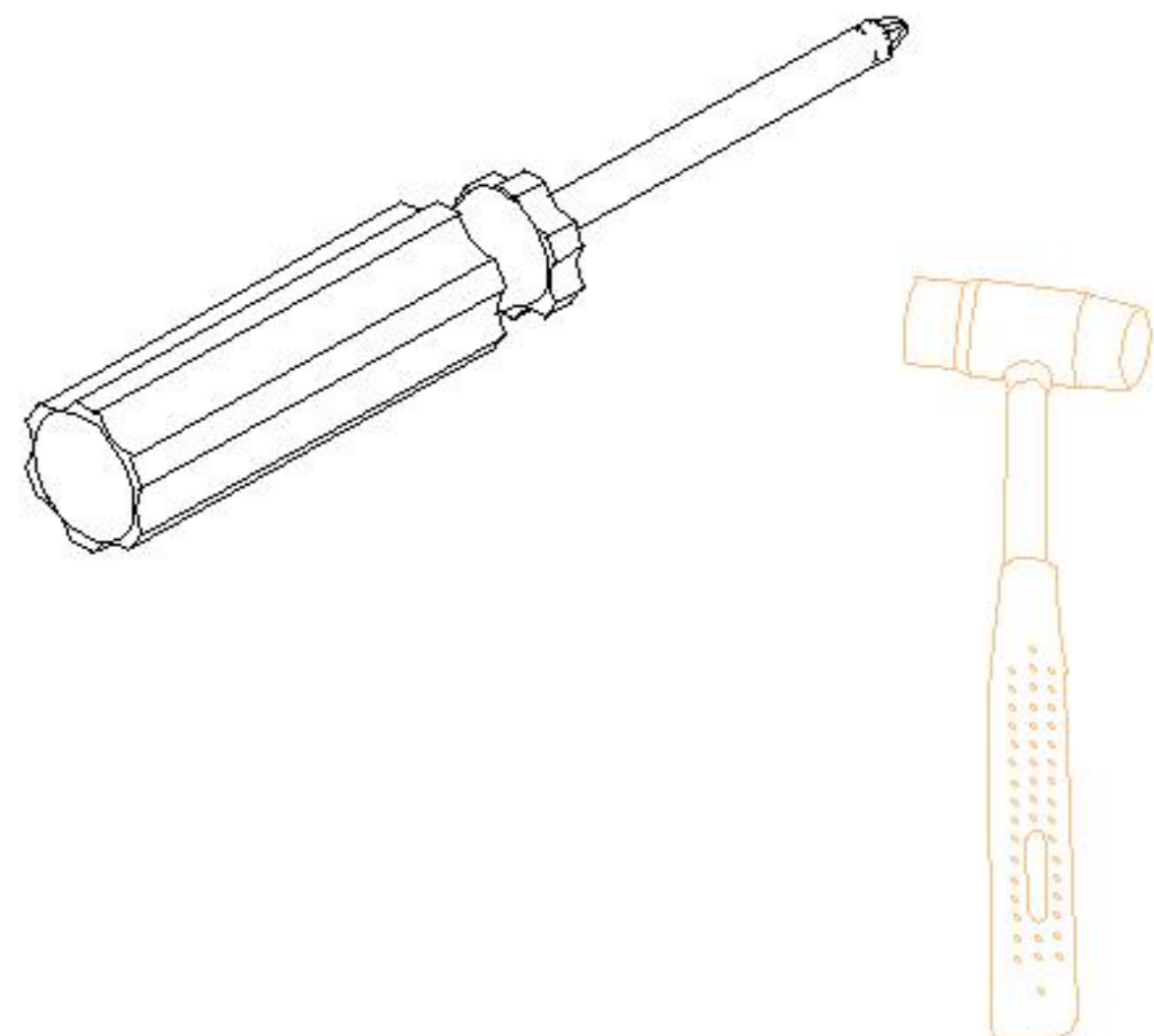
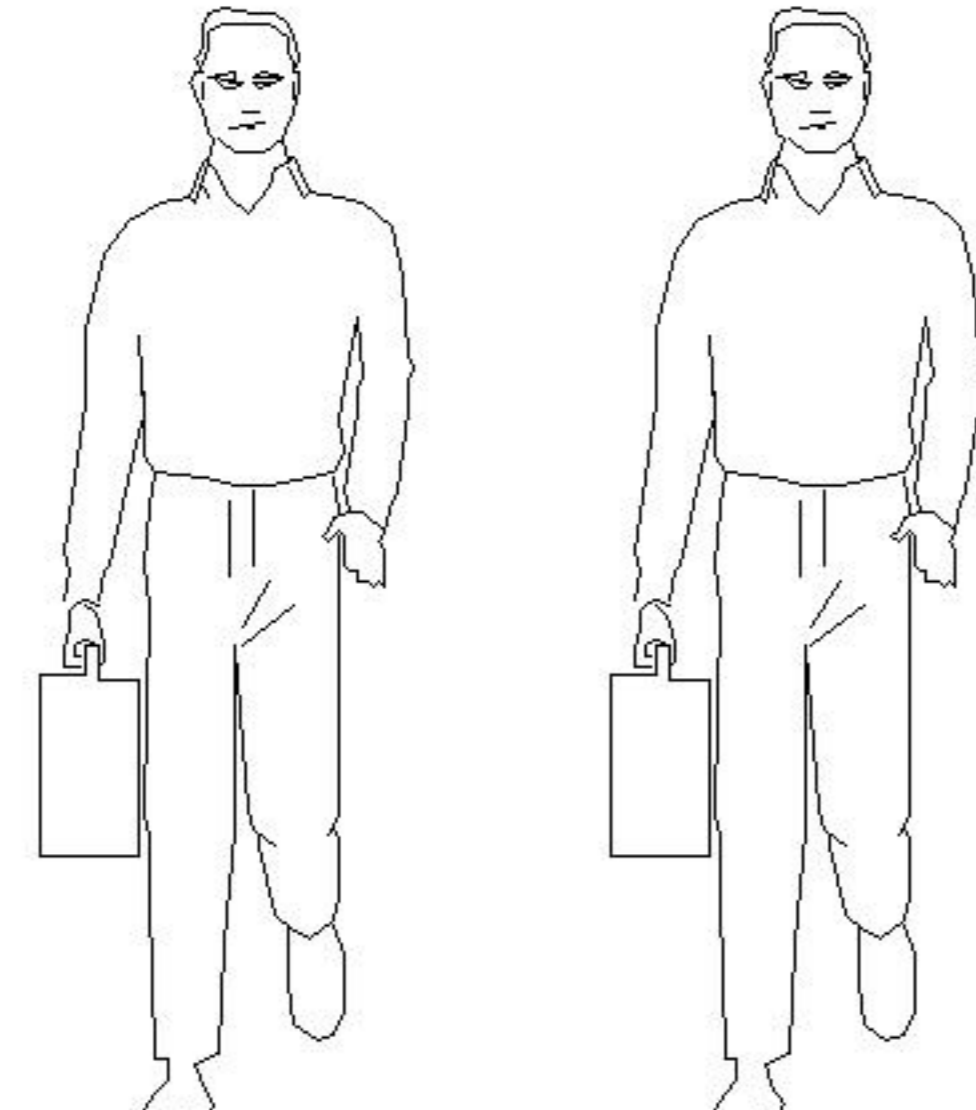
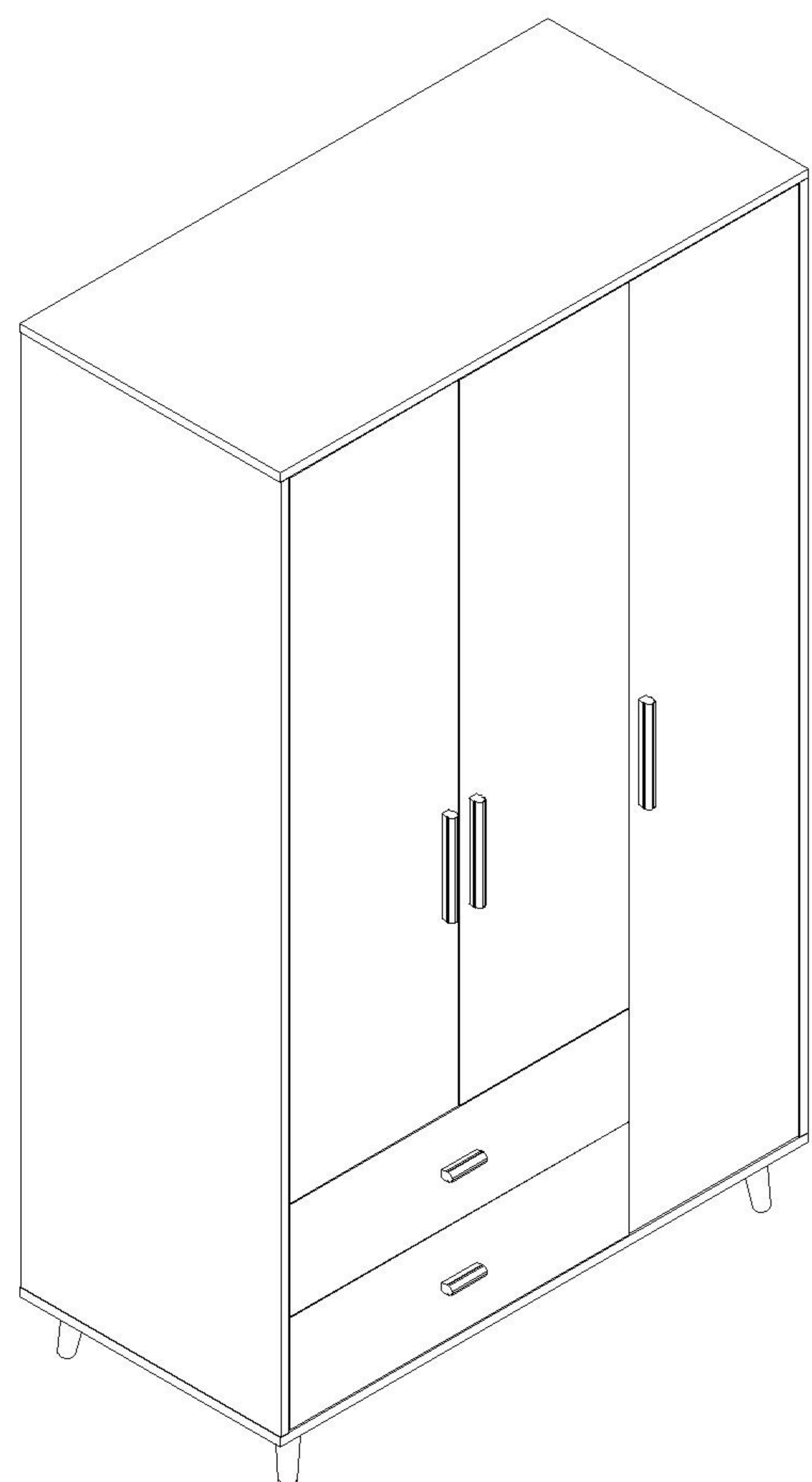
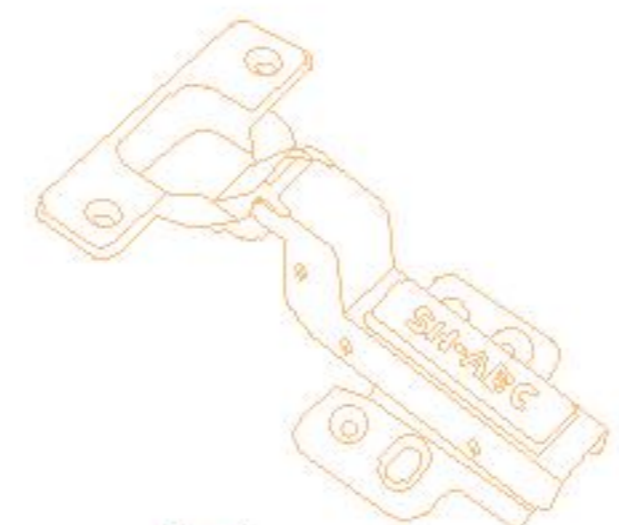
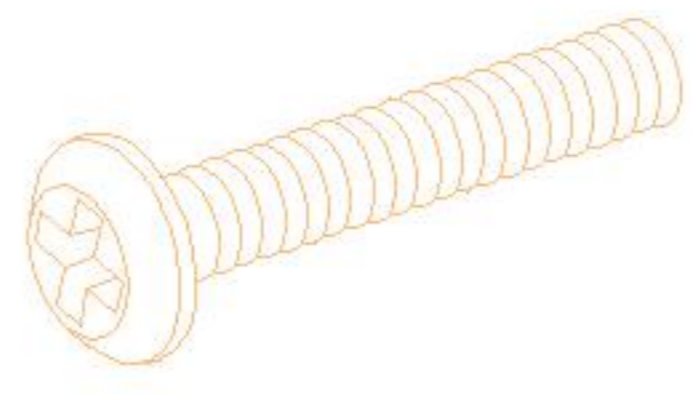


安装示意图/Assembly Instruction

产品名称 Model NO.	JC21D-A1 (1.2m)
产品规格 Specification	1205*617*2049mm
安装工具 Tool	安装人数 Installer
	

注：为保证设计效果，部分尺寸为定制尺寸，不影响使用。

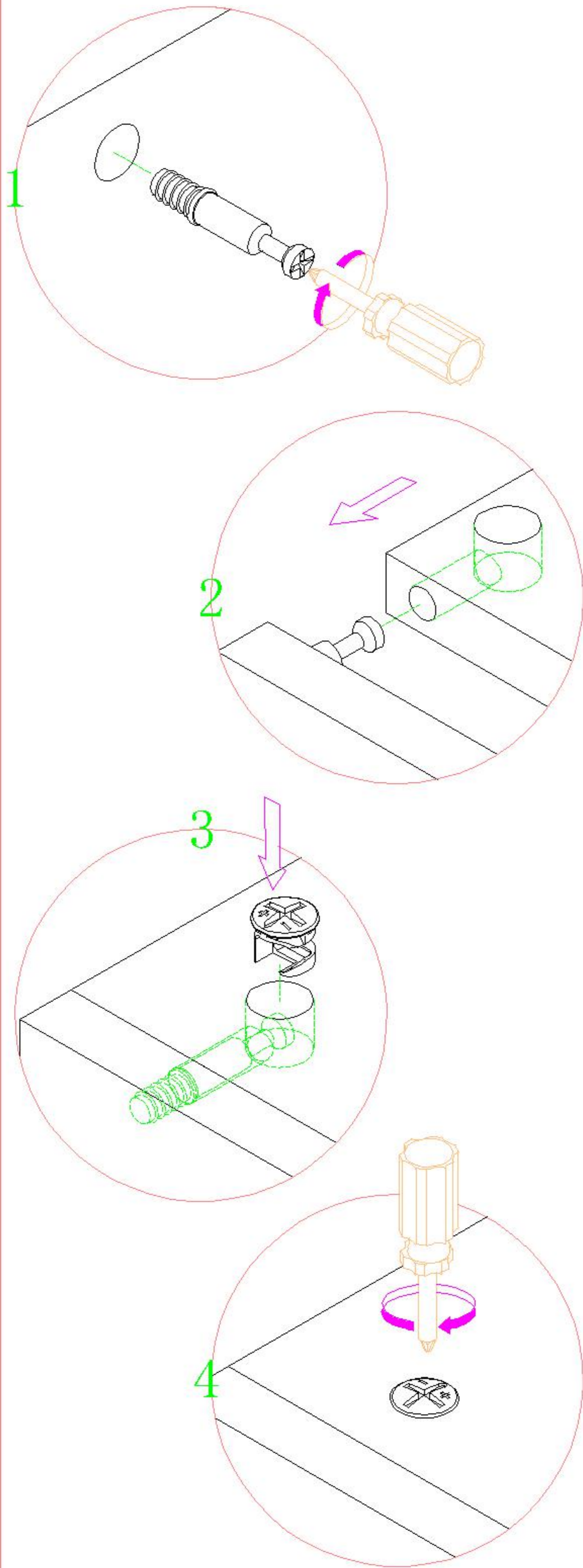


 (A)* 4 透明防滑PVC胶塞 PVC rubber plug	 (B)* 13 背板扣 Back Plate Buckle-White	 (C)* 20 层板托 shelf support	 (D)* 2 挂衣托 Clothes hanger
 (E)* 2 过山丝-M7x38mm Self-tapping screw galvanized	 (F)* 2 透气孔盖-白色 Vent cover - white	 (G)* 7 缓冲门铰大弯-Ø35 Hinge-big bends	 (H)* 3 缓冲门铰中弯-Ø35 Hinge-middle bending
 (I)* 34 二合一螺杆(35mm) 2-in-1-screw	 (J)* 34 大三合一锁饼 Three-in-one large lock	 (K)* 13 小三合一锁饼 small three-in-one lock	 (L)* 13 小二合一杆7*28 small two-in-one rod
 (M)* 11 拉手螺丝-M4x30mm pulling screw	 (N)* 1 斜边十字螺杆-M8x35 bevel cross screw	 (O)* 13 塑料螺母 Plastic Nut	 (P)* 13 自攻螺丝M4x40mm Self-tapping screw
 (Q)* 29 自攻螺丝M3.5x12mm Self-tapping screw	 (R)* 13 自攻螺丝M3.5x16mm Self-tapping screw	 (S)* 13 木榫Ø8x30mm wood tenon	 (T)* 1 调节五金脚-M8x30 Adjusting foot
 (U)* 1 挂衣杆-L=758mm Clothes hanger	 (V)* 2 三节滚珠导轨-14" three-section ball rail	 (W)* 4 斜边十字螺杆-M8x55 bevel cross screw	 (X)* 4 锤母-(M8*15mm) Hammer nut
 (Y)* 2 家具防倒器-白色 Anti-fall device white			

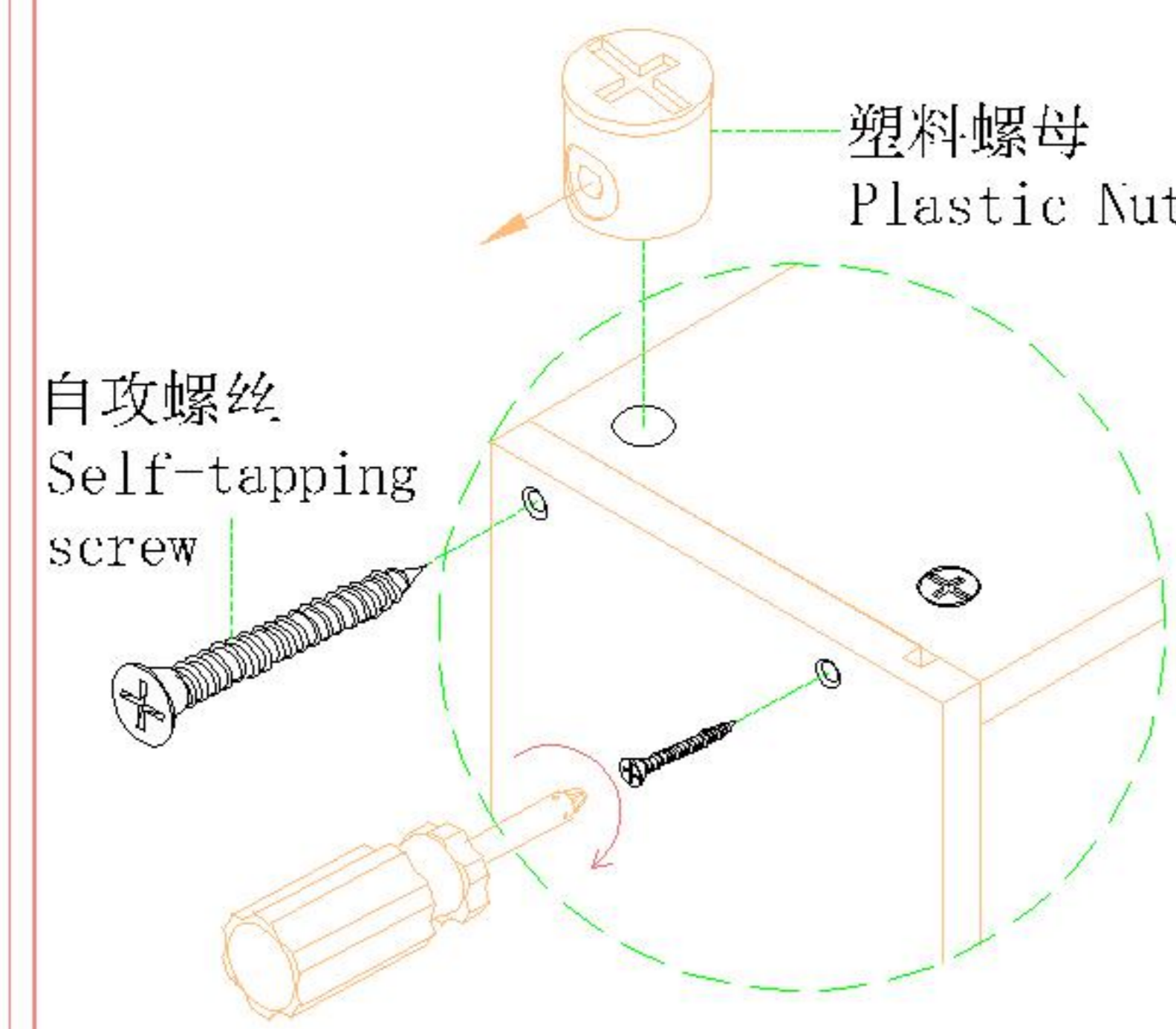
编号NO.	名称Name	规格 (mm) Specification	数量QTY	材质Material
①	顶板 Top board	1205*594*18	1	三胺板Melamine
②	左侧板 Side board(L)	1888*594*18	1	三胺板Melamine
③	右侧板 Side board(R)	1888*594*18	1	三胺板Melamine
④	中侧板 Middle side board	1888*554*18	1	三胺板Melamine
⑤	底板 Bottom board	1205*594*18	1	三胺板Melamine
⑥	脚 Foot	130*46*46	4	实木Wood
⑦	中脚 Middle foot	106*30*30	1	实木Wood
⑧	左活动层板 Movable shelf(L)	765*552*18	2	三胺板Melamine
⑨	右活动层板 Movable shelf(R)	382*552*18	3	三胺板Melamine
⑩	左门板 Door board(L)	1434*386*18	1	三胺板Melamine
⑪	中门板 Middle door board	1434*386*18	1	三胺板Melamine
⑫	右门板 Door board(R)	1882*386*18	1	三胺板Melamine
⑬	边背拉条 Side back brace	1888*140*15	2	三胺板Melamine
⑭	背拉条 Back brace	1888*140*15	1	三胺板Melamine
⑮	大背板 Big backboard	1898*575*5	1	三胺板Melamine
⑯	小背板 Small sack board	1898*192*5	1	三胺板Melamine
⑰	抽屉面板 Drawer's top panel	774*222*18	2	三胺板Melamine
⑱	抽屉左侧板 Drawer's side board(L)	395*142*12	2	三胺板Melamine
⑲	抽屉右侧板 Drawer's side board(R)	395*142*12	2	三胺板Melamine
⑳	抽屉后板 Drawer's Back board	716*142*12	2	三胺板Melamine
㉑	抽屉底托条 Drawer's bottom bracket	381*58*12	2	三胺板Melamine
㉒	抽屉底板 Drawer's Bottom board	726*391*5	2	三胺板Melamine
㉓	长拉手 Long handle	208*25*20	3	实木Wood
㉔	短拉手 Short handle	80*25*20	2	实木Wood

JC21D-A1 (1.2m)

安装方法/
Installation method

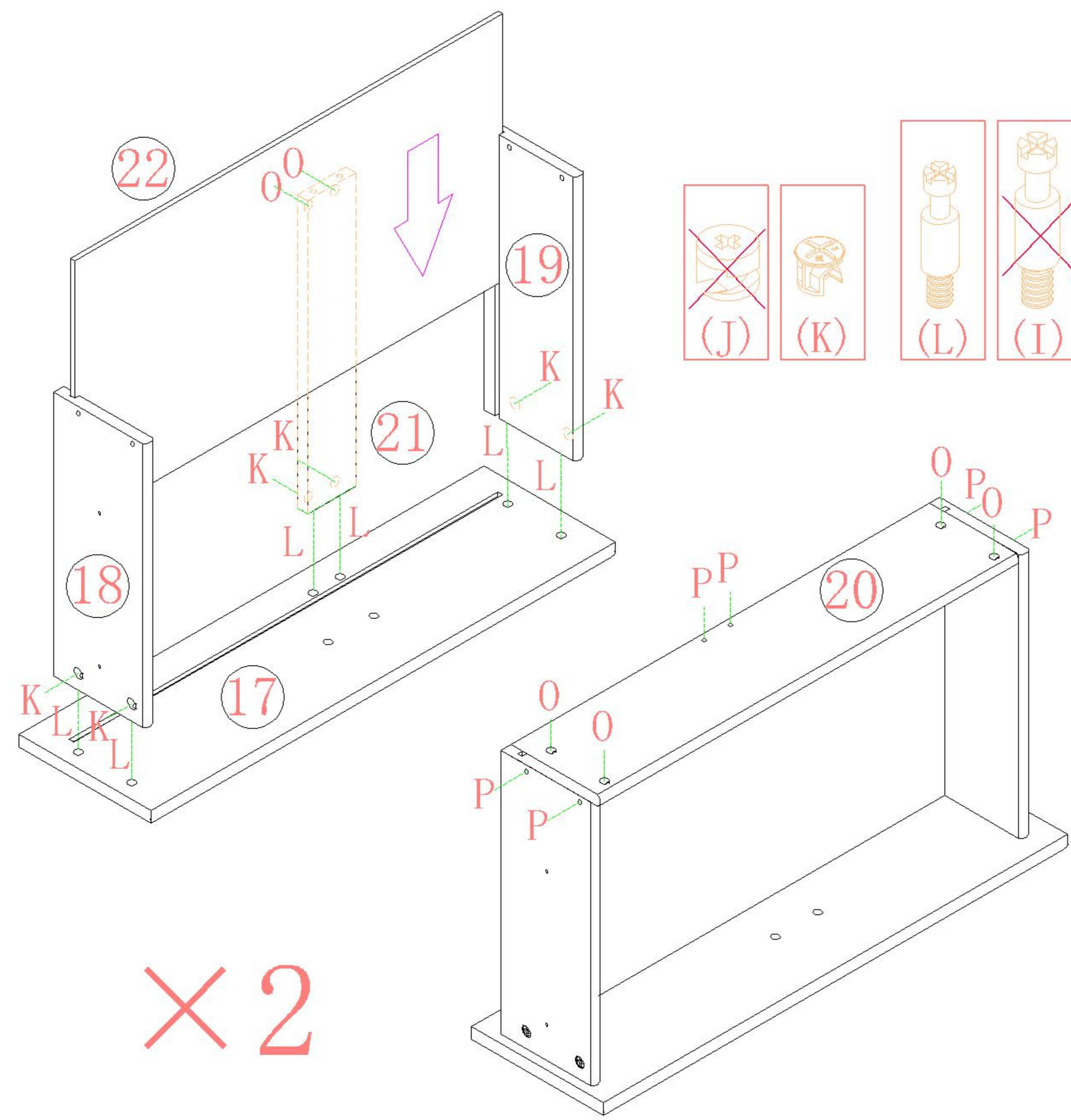


小二合一
small two-in-one



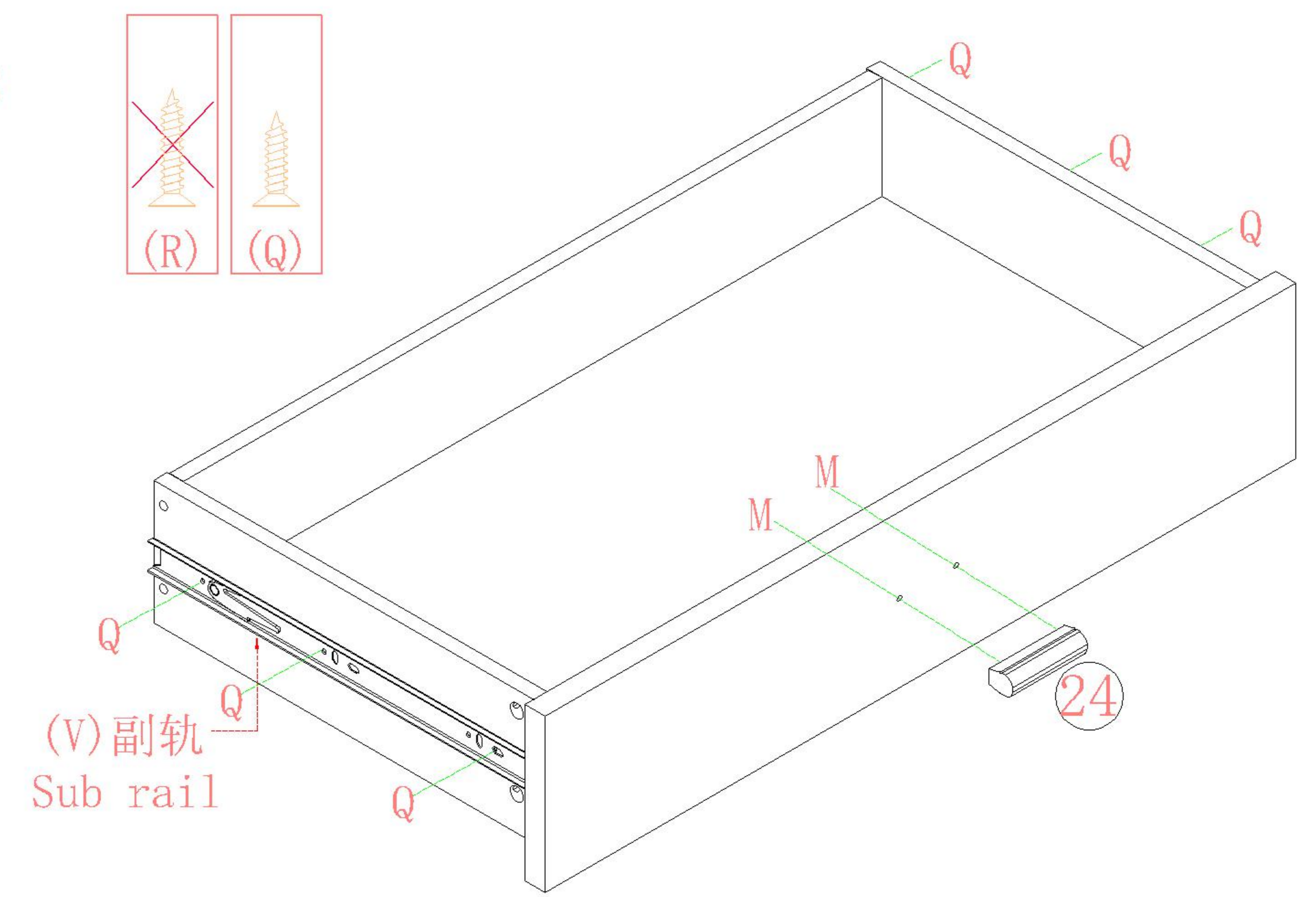
塑料螺母
Plastic Nut

- (K)*12
- (L)*12
- (O)*12
- (P)*12



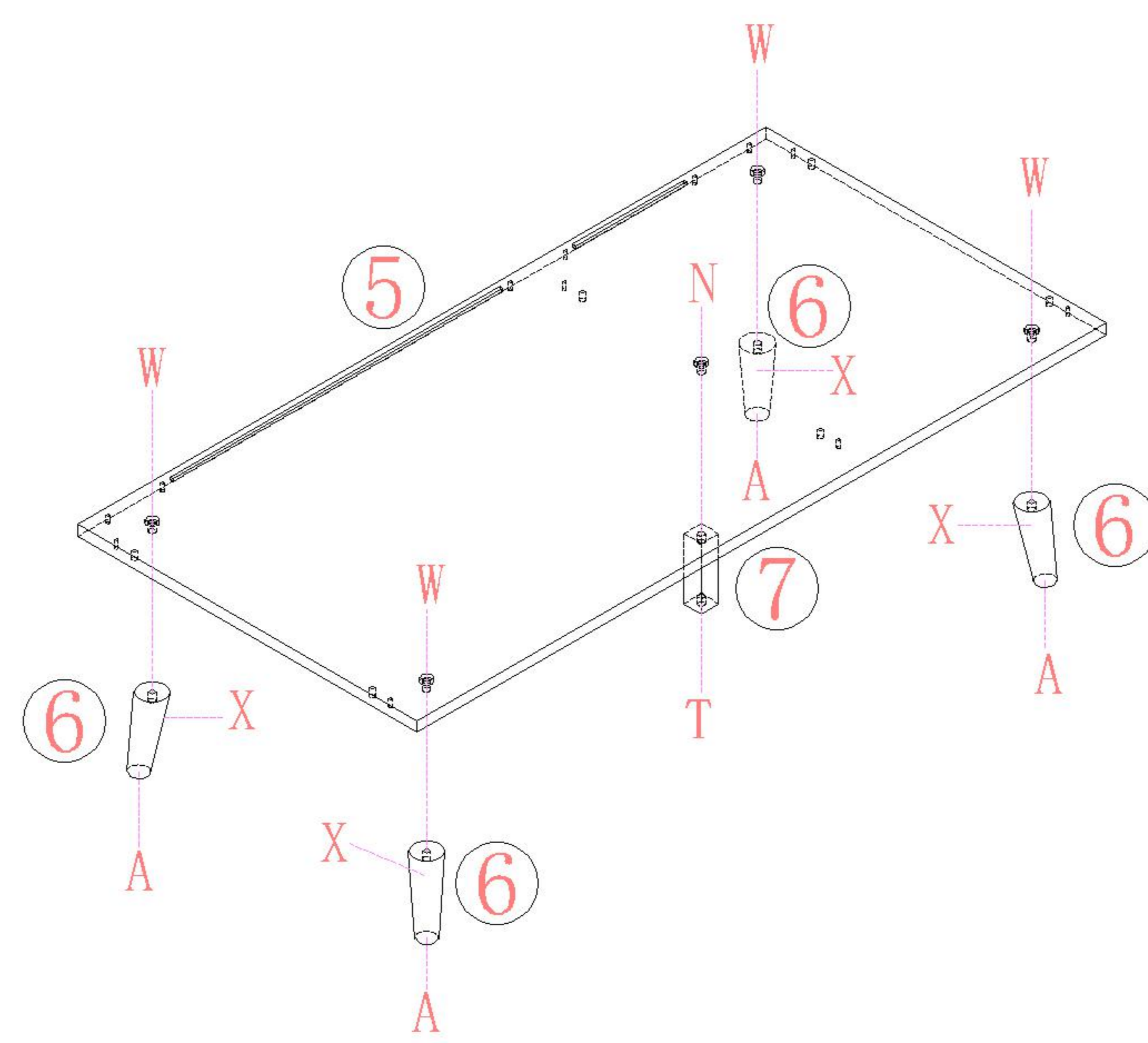
1

- (M)*4
- (Q)*12
- (V)*2



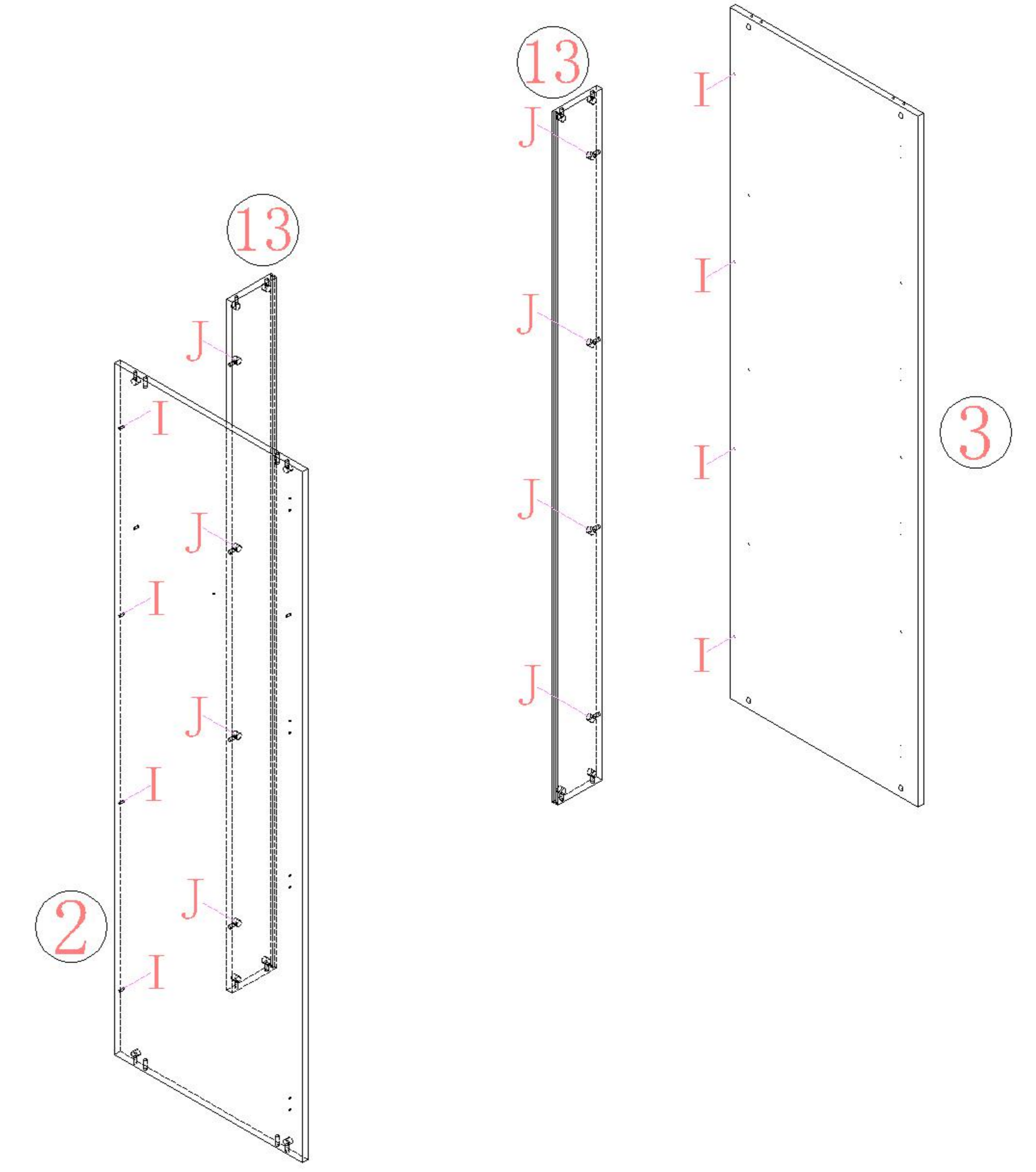
2

- (A)*4
- (N)*1
- (T)*1
- (W)*4
- (X)*4



3

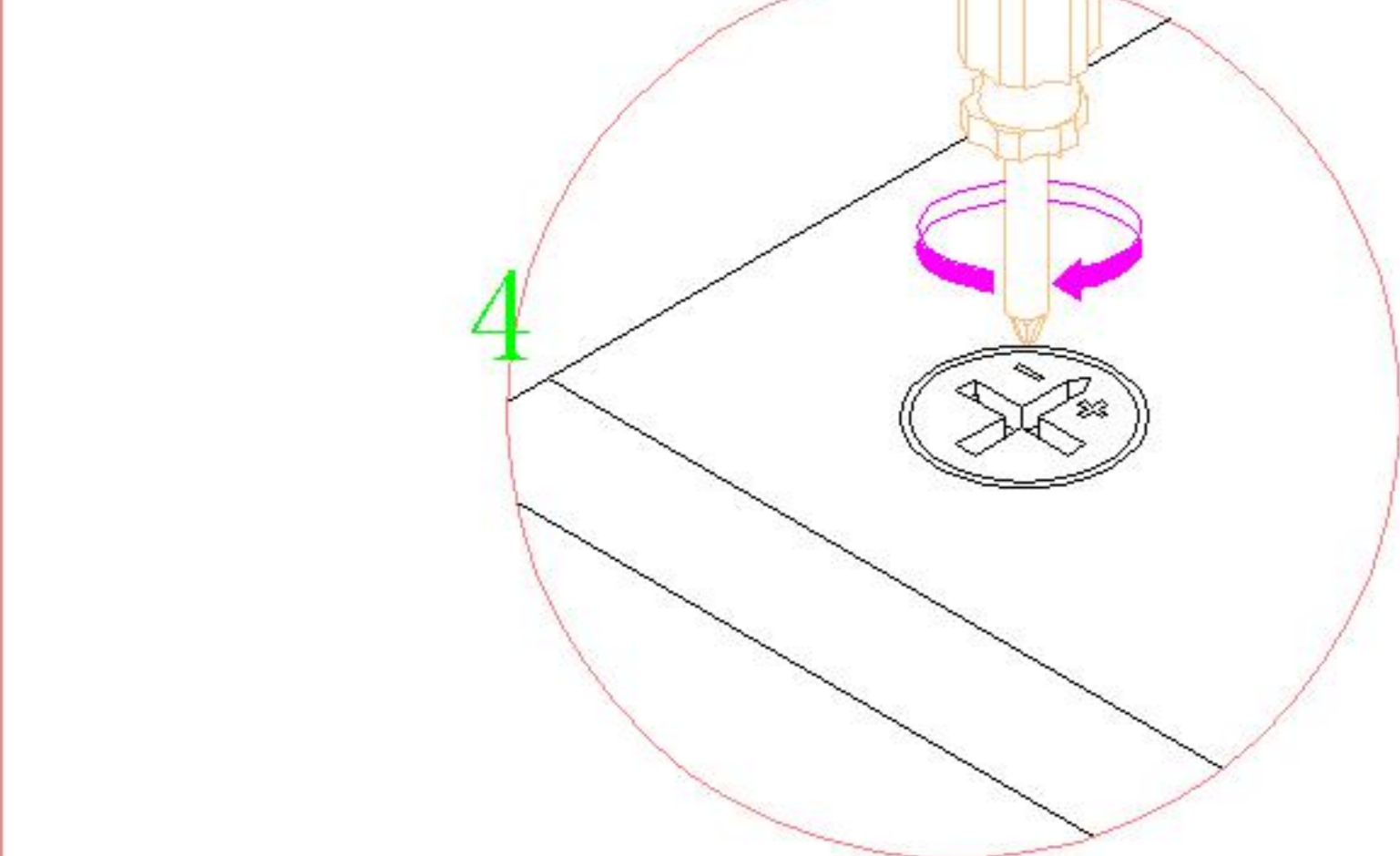
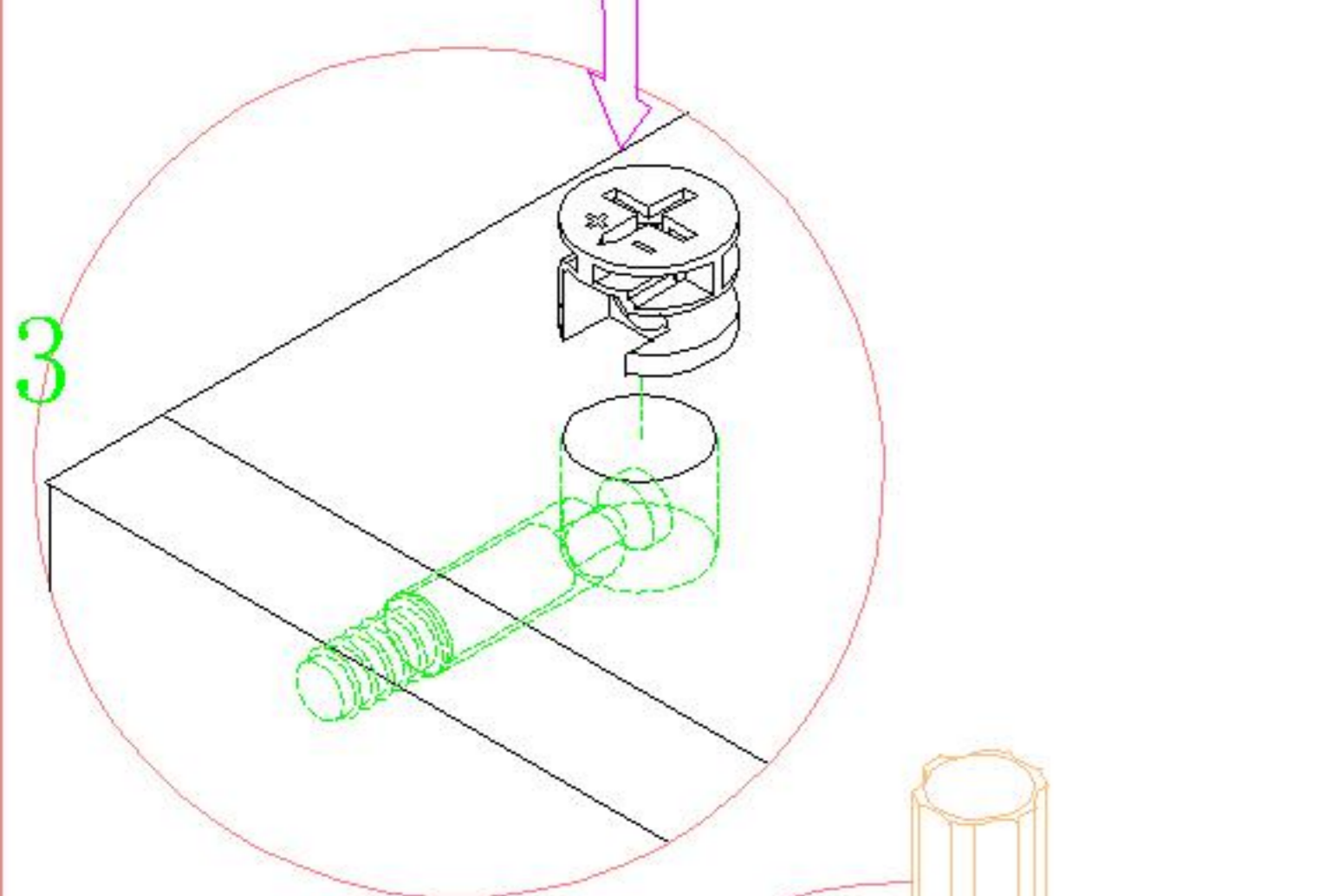
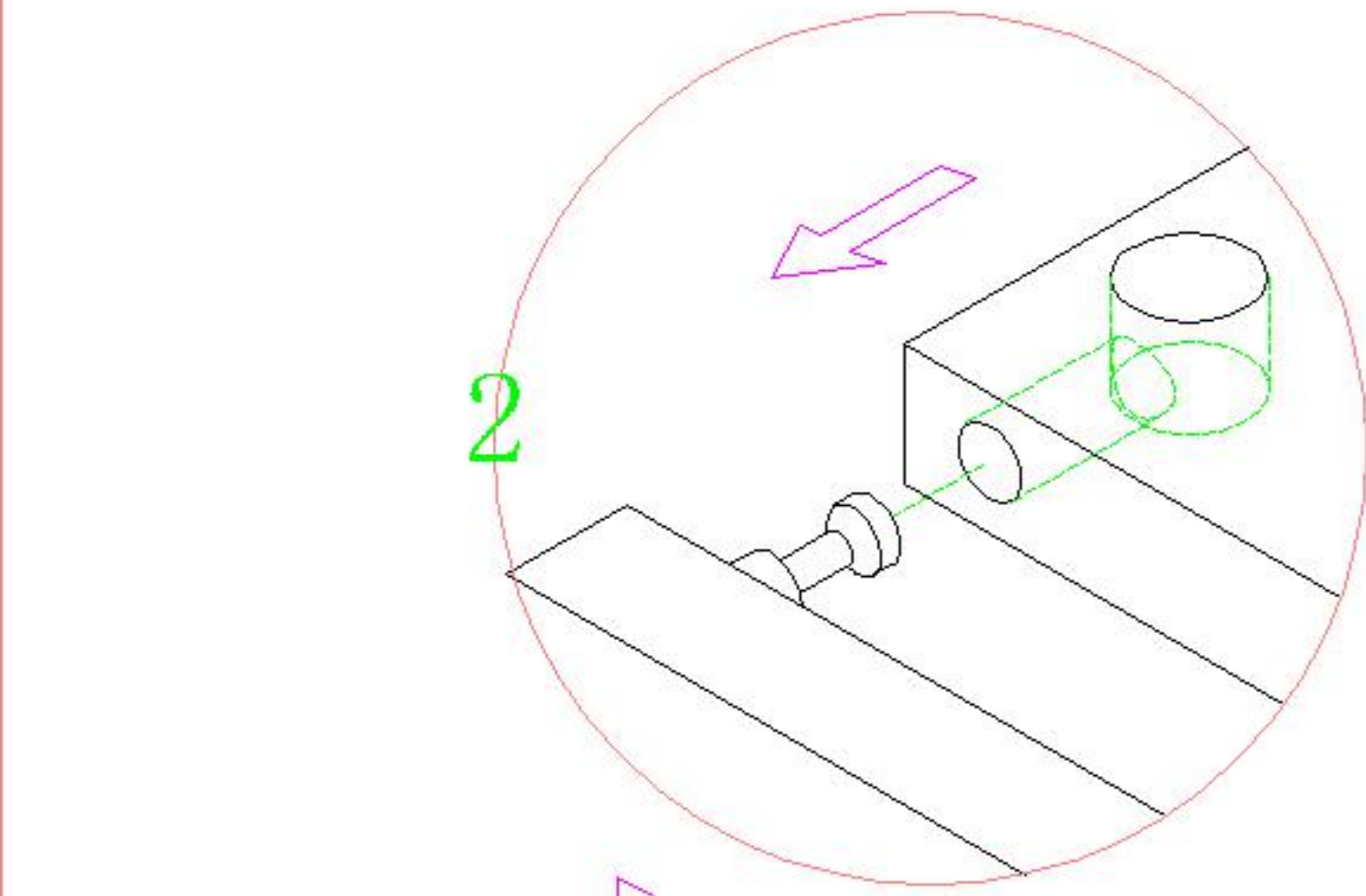
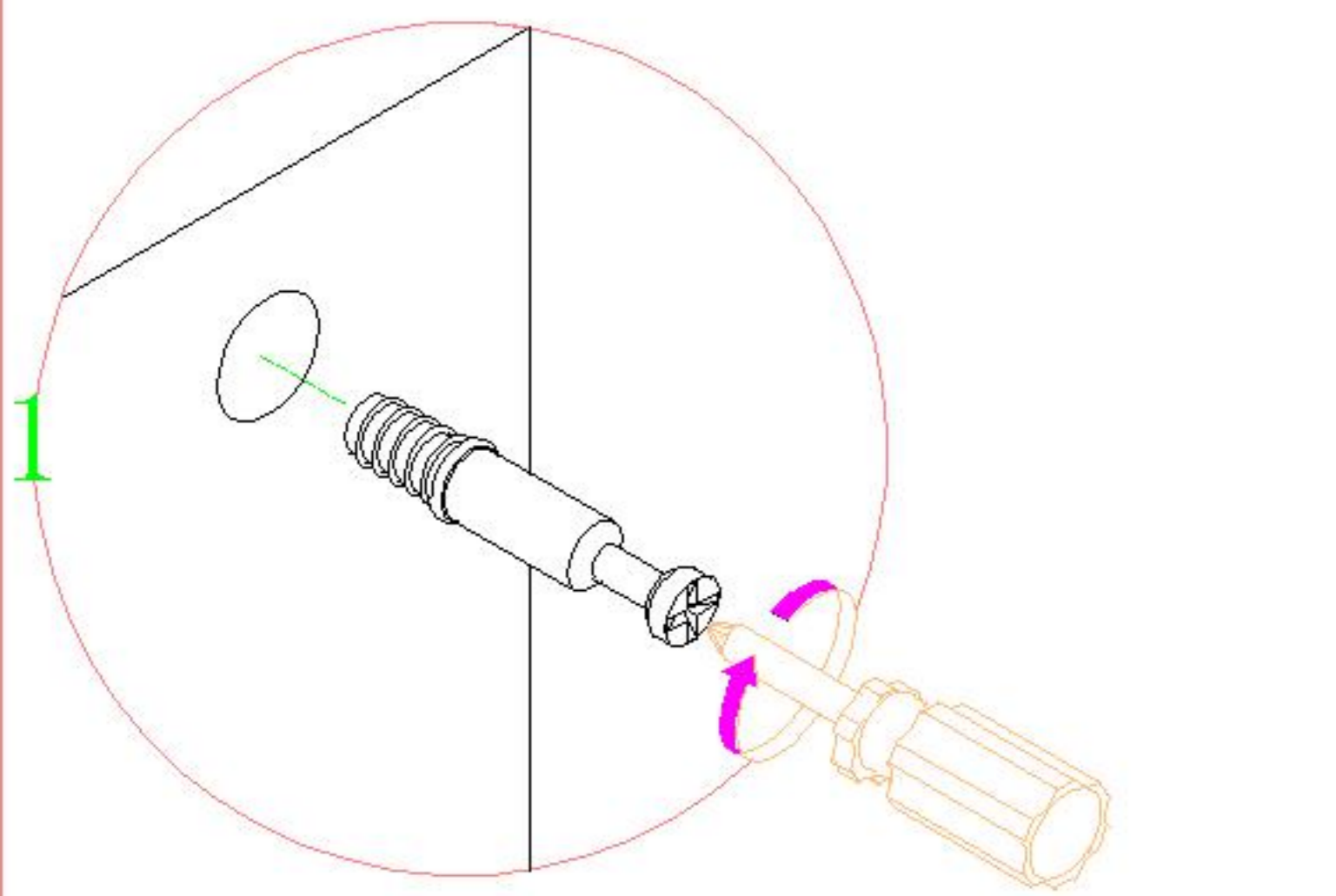
- (I)*8
- (J)*8



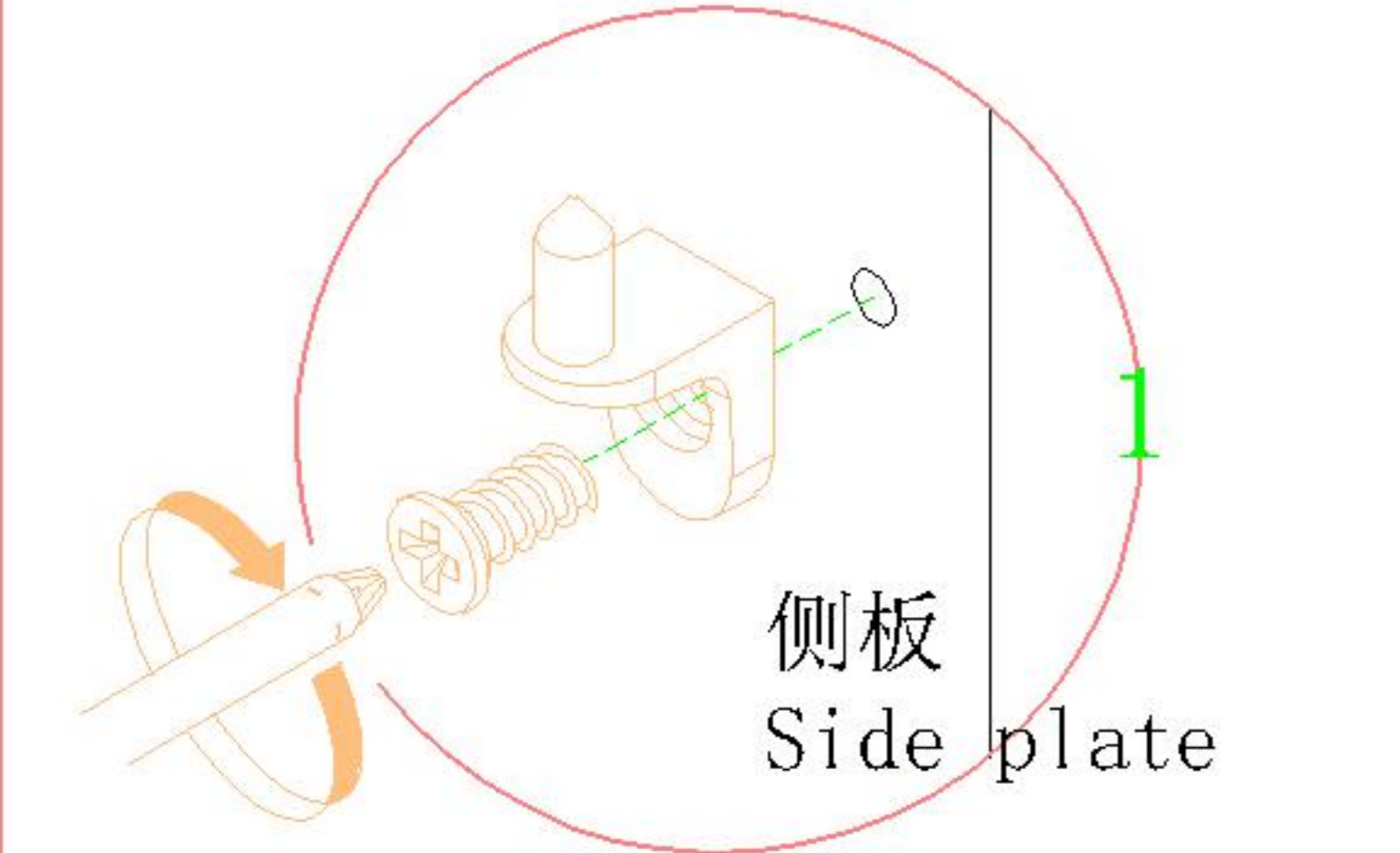
4

JC21D-A1 (1.2m)

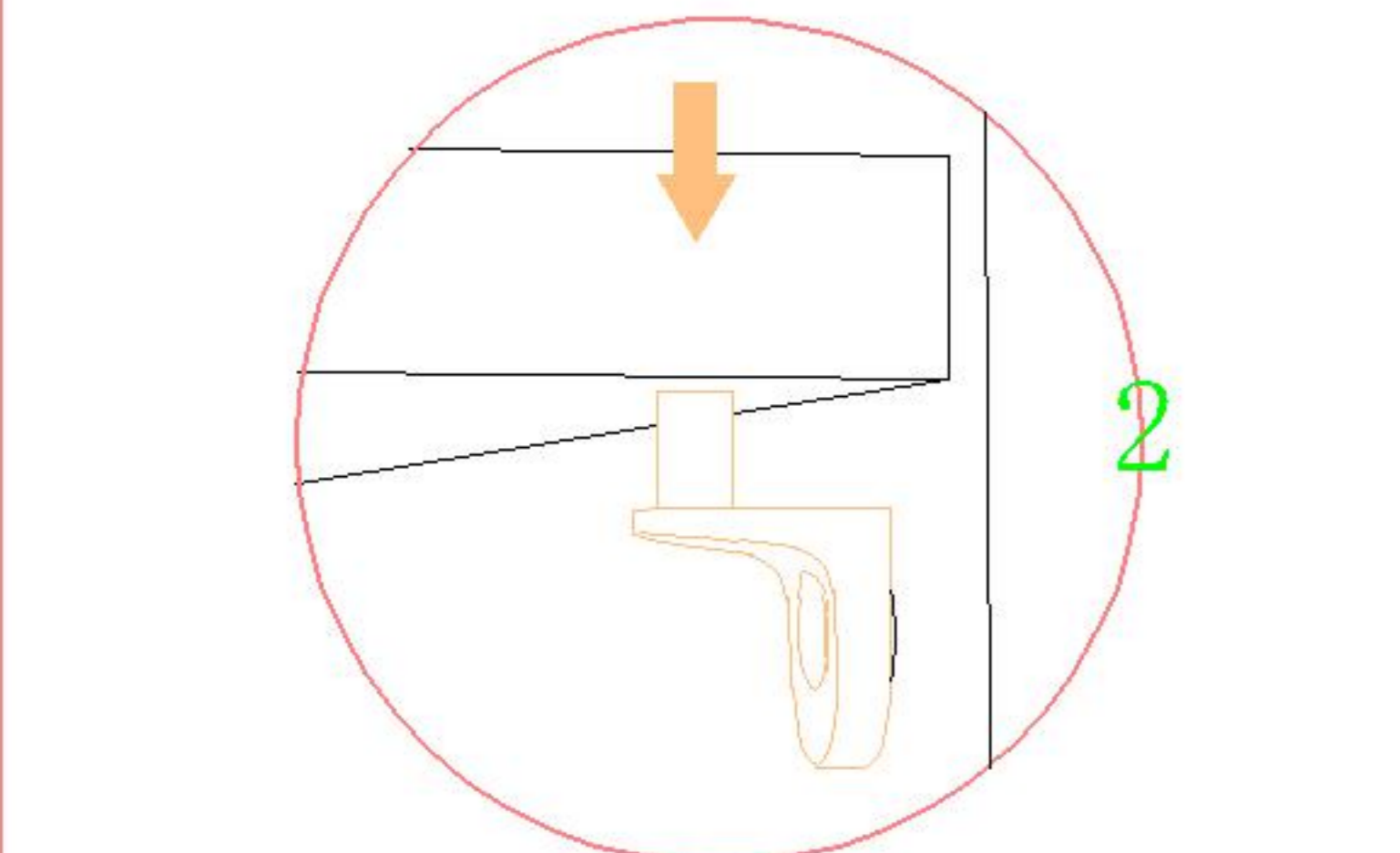
安装方法/
Installation method



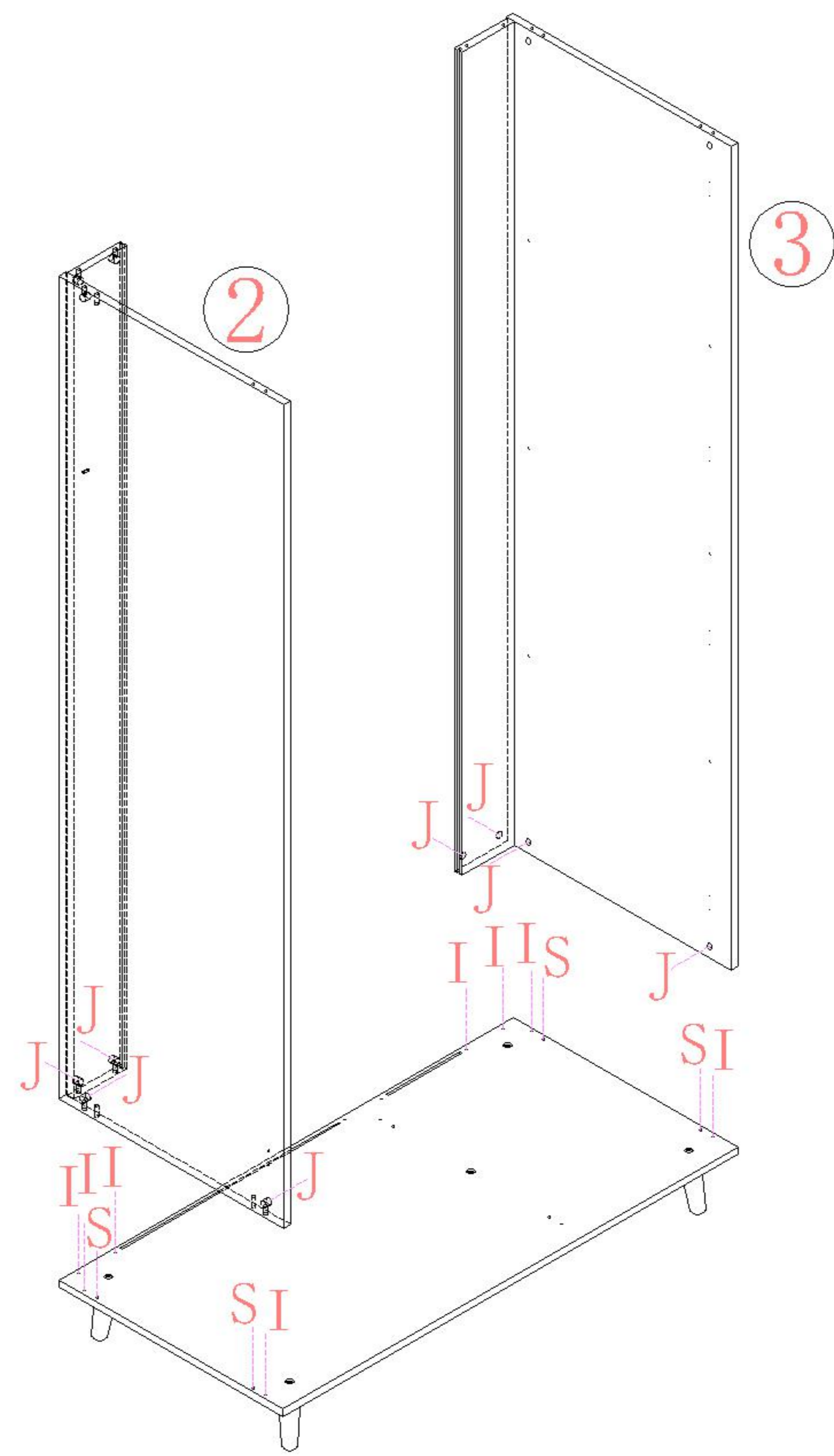
大二合一
two-in-one



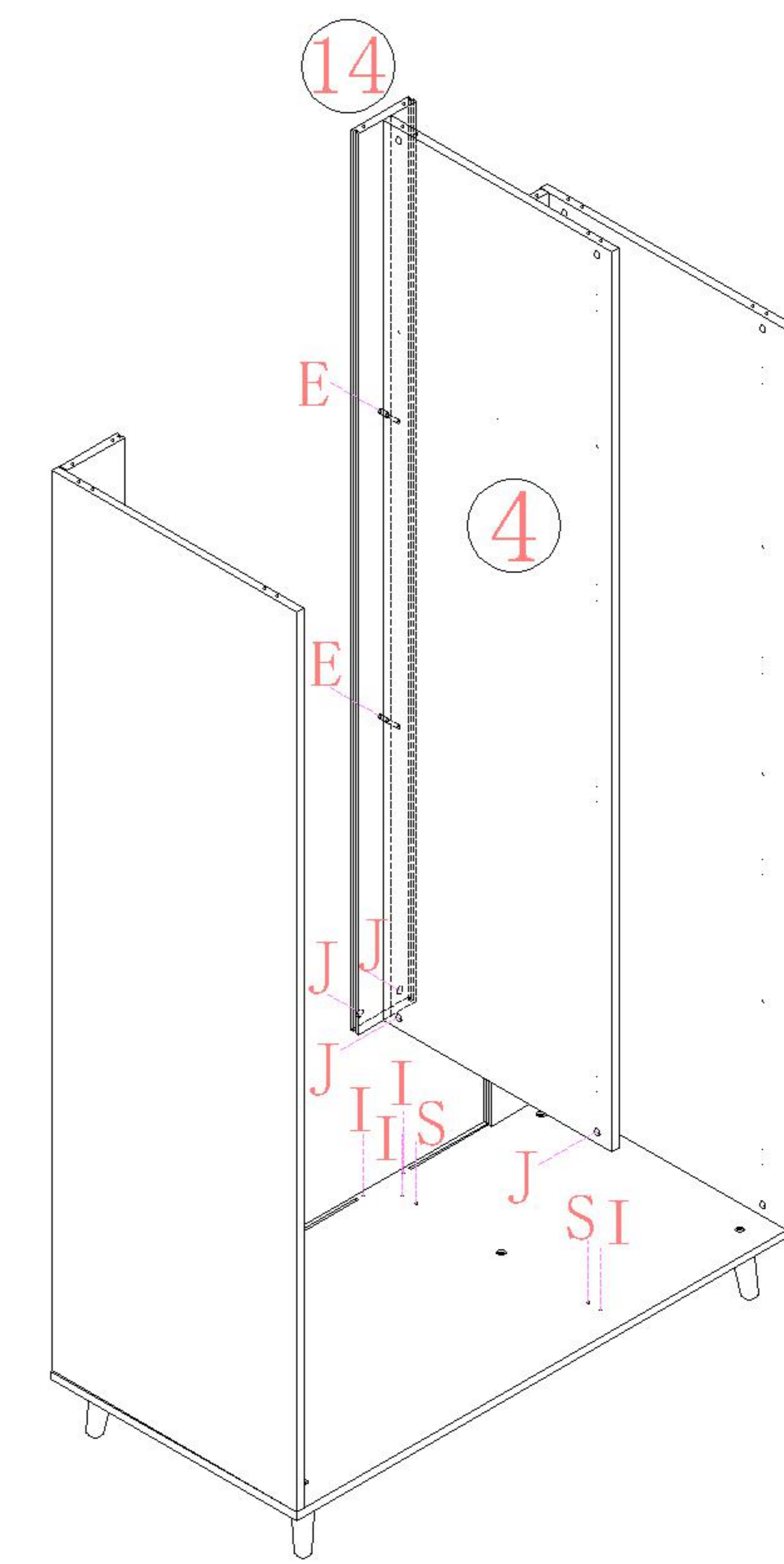
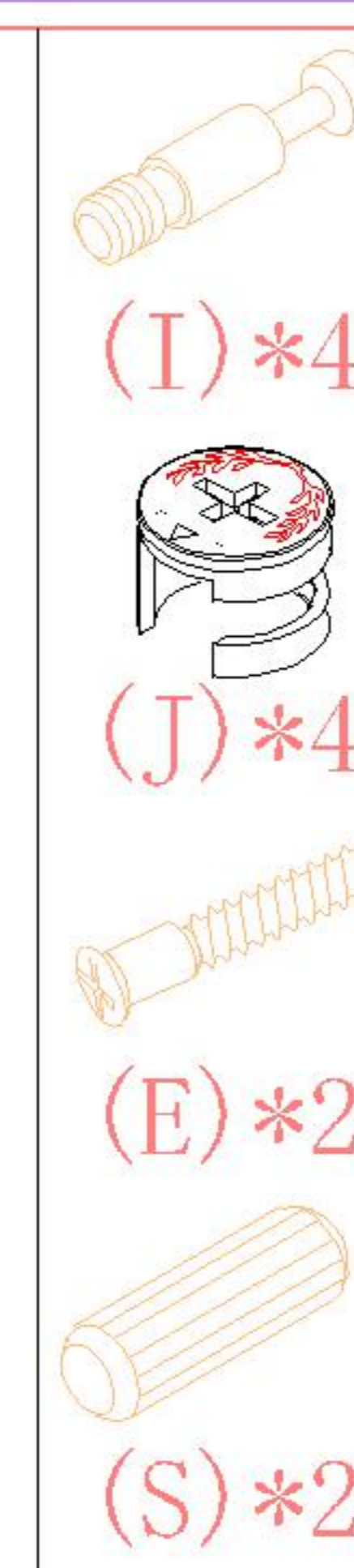
侧板
Side plate



层板托5mm
shelf support

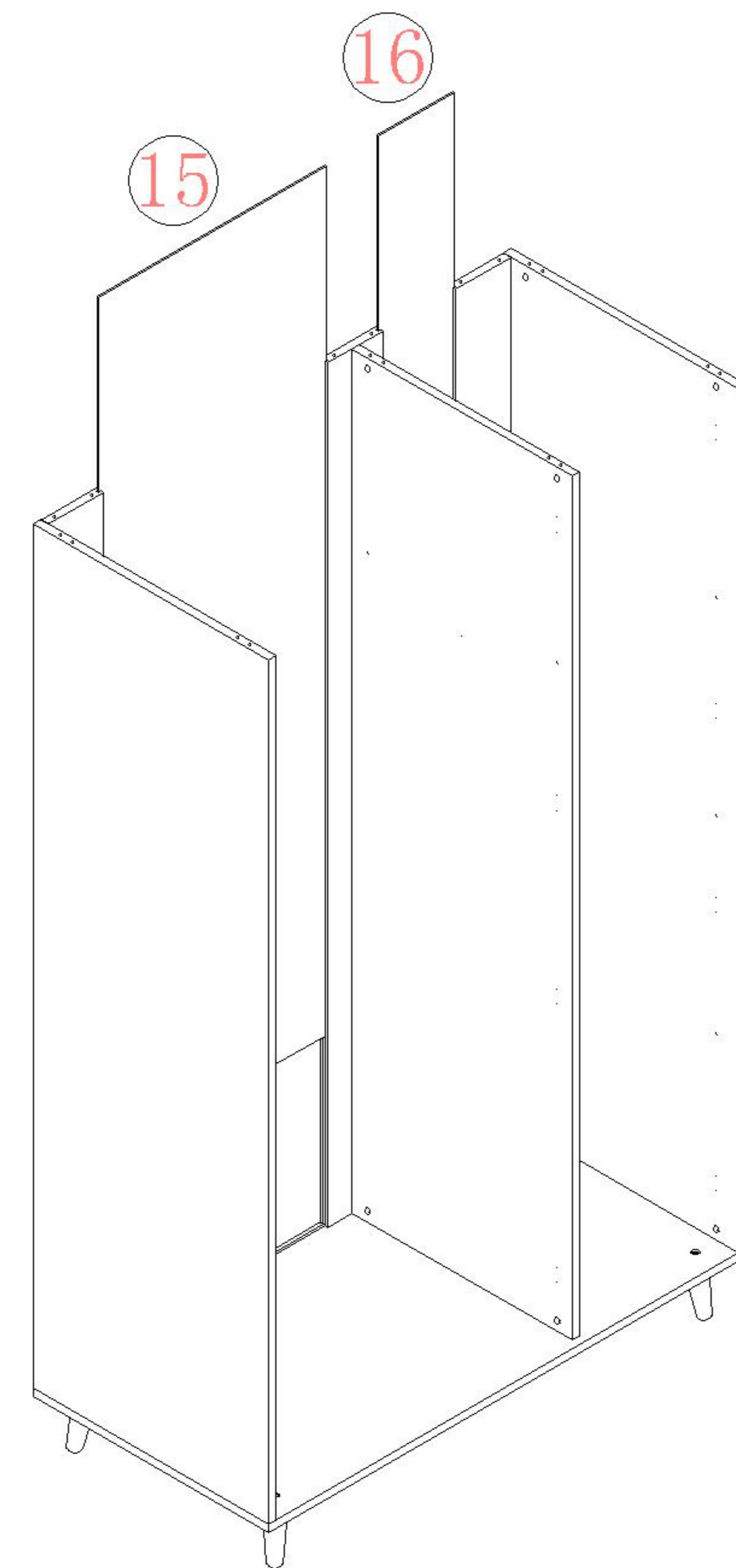


5

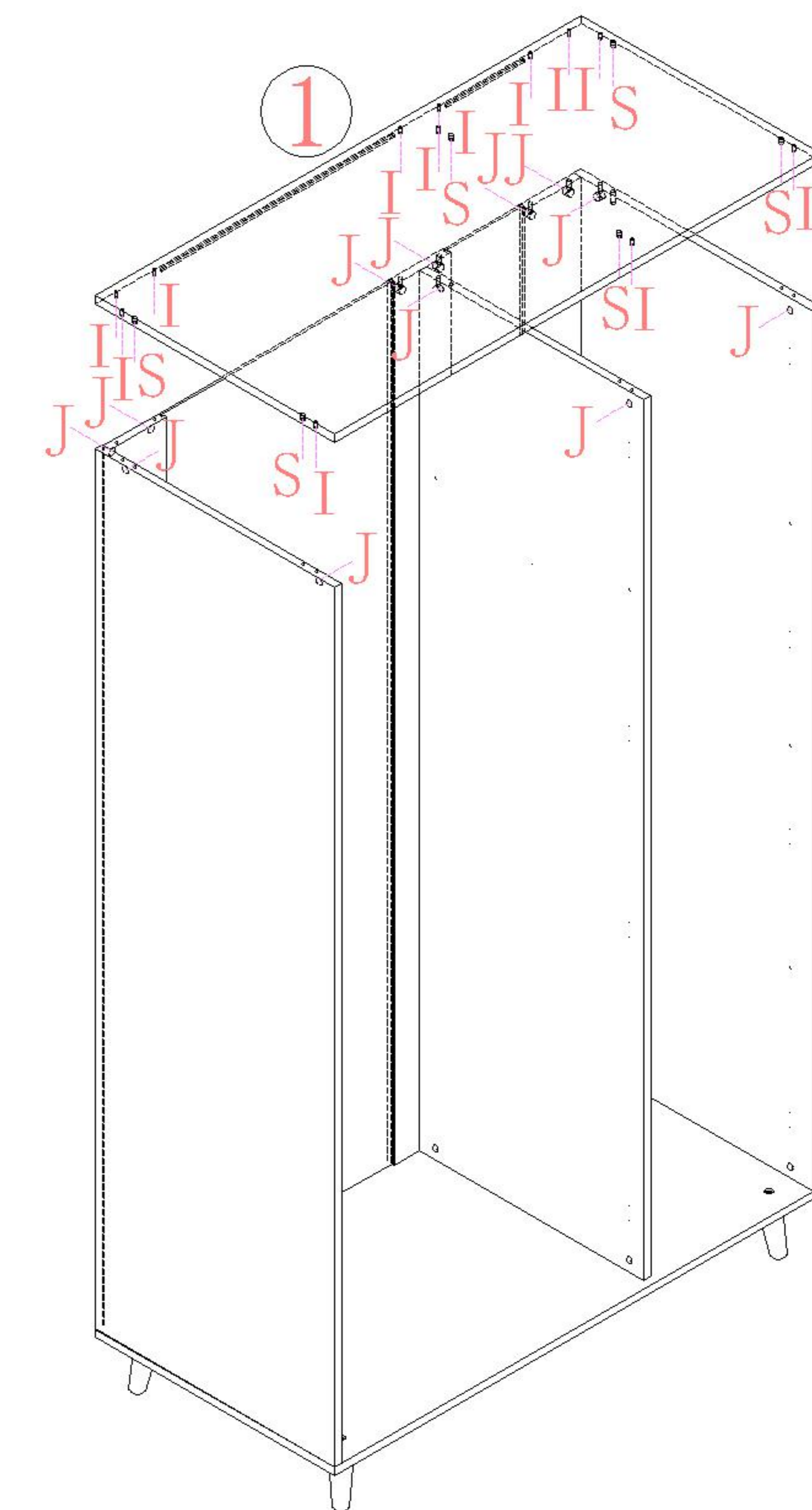


6

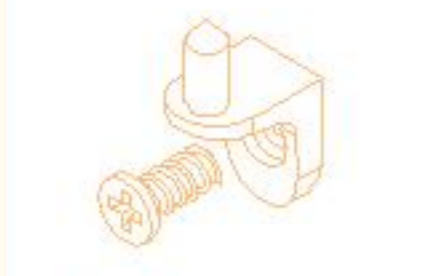
7



8



JC21D-A1 (1.2m)

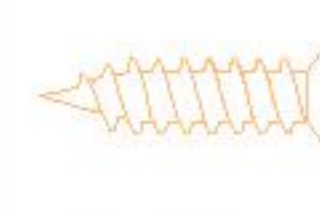


(C)*20

9



(D)*2



(Q)*4



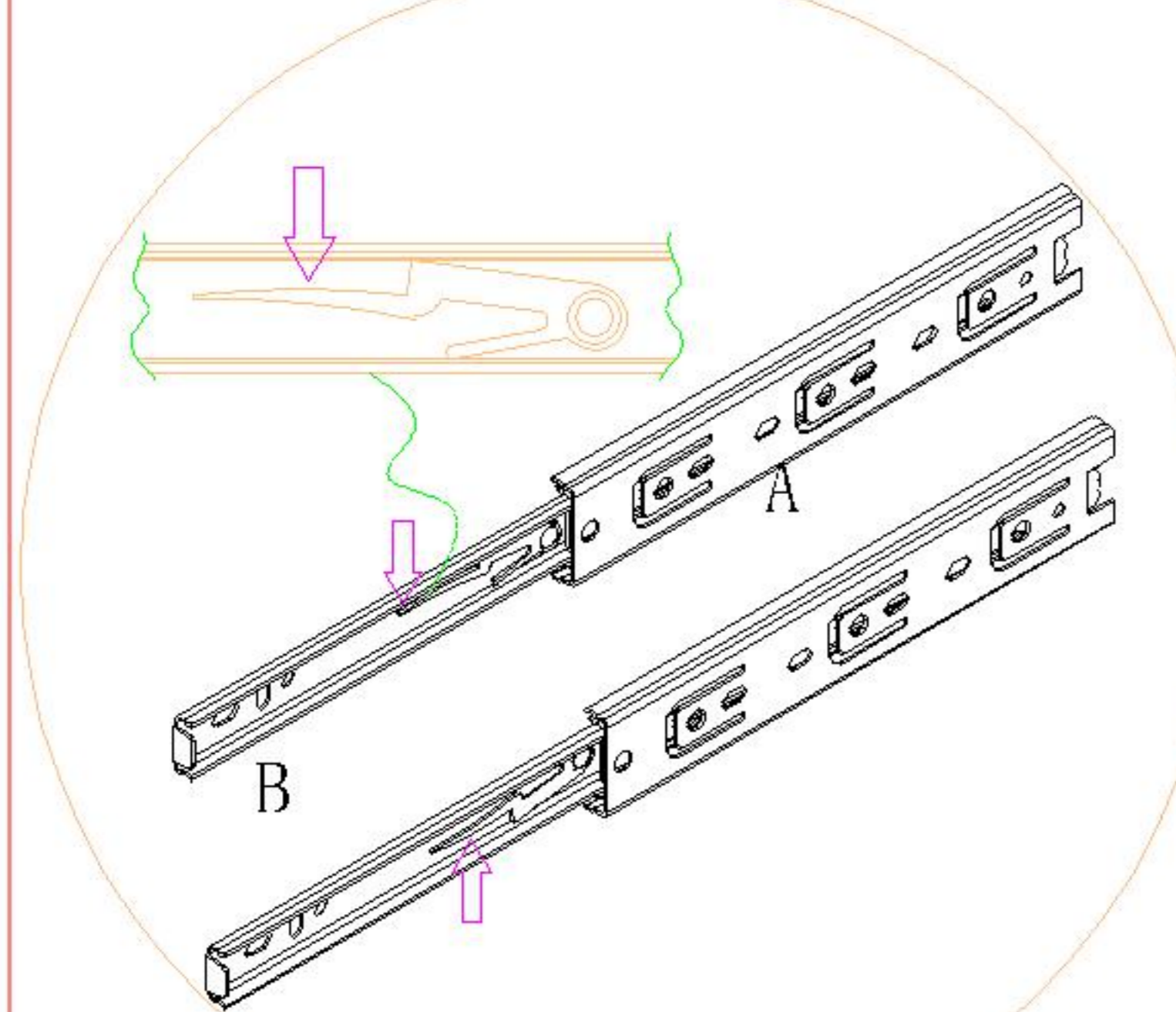
(U)*1

10

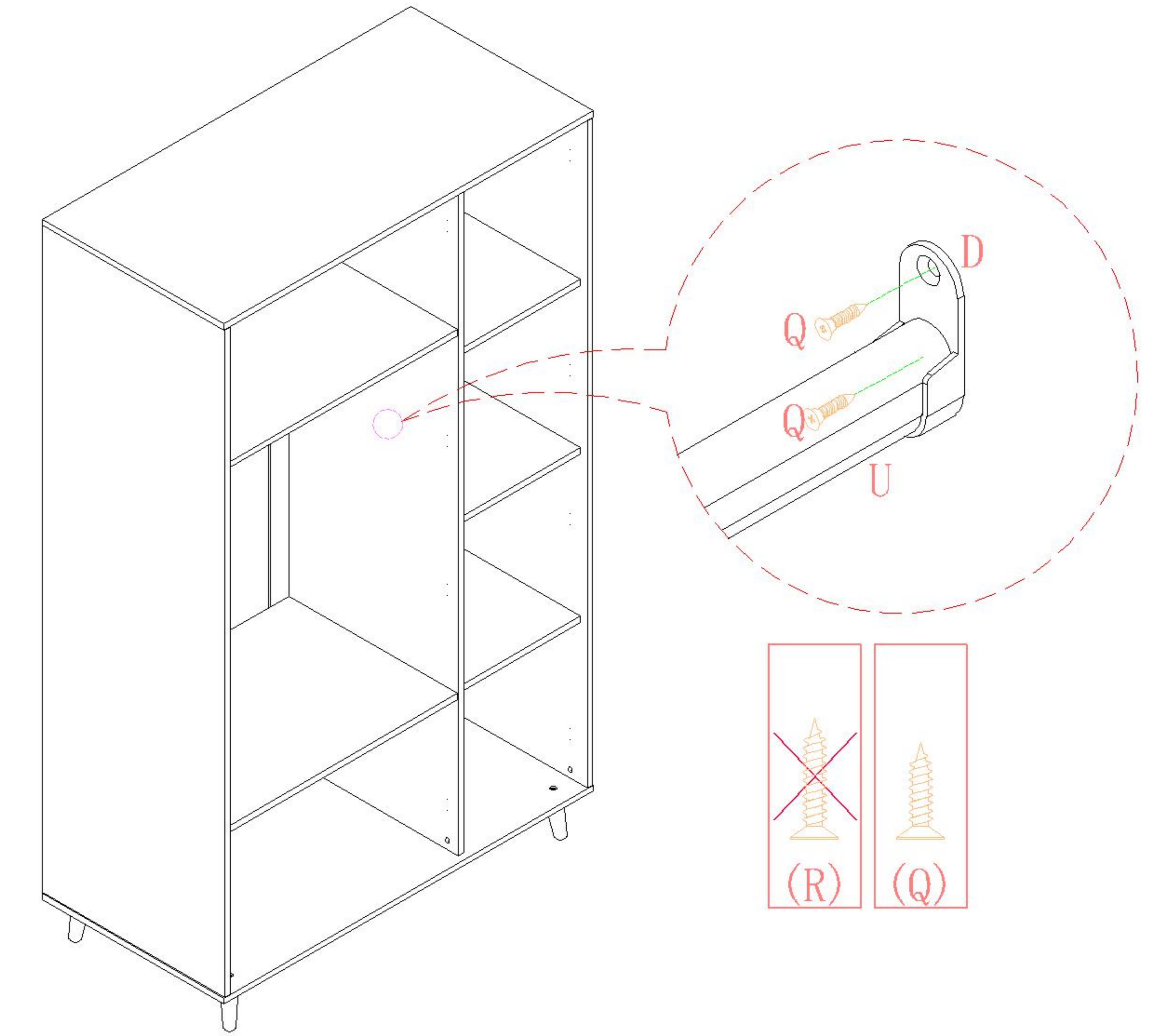
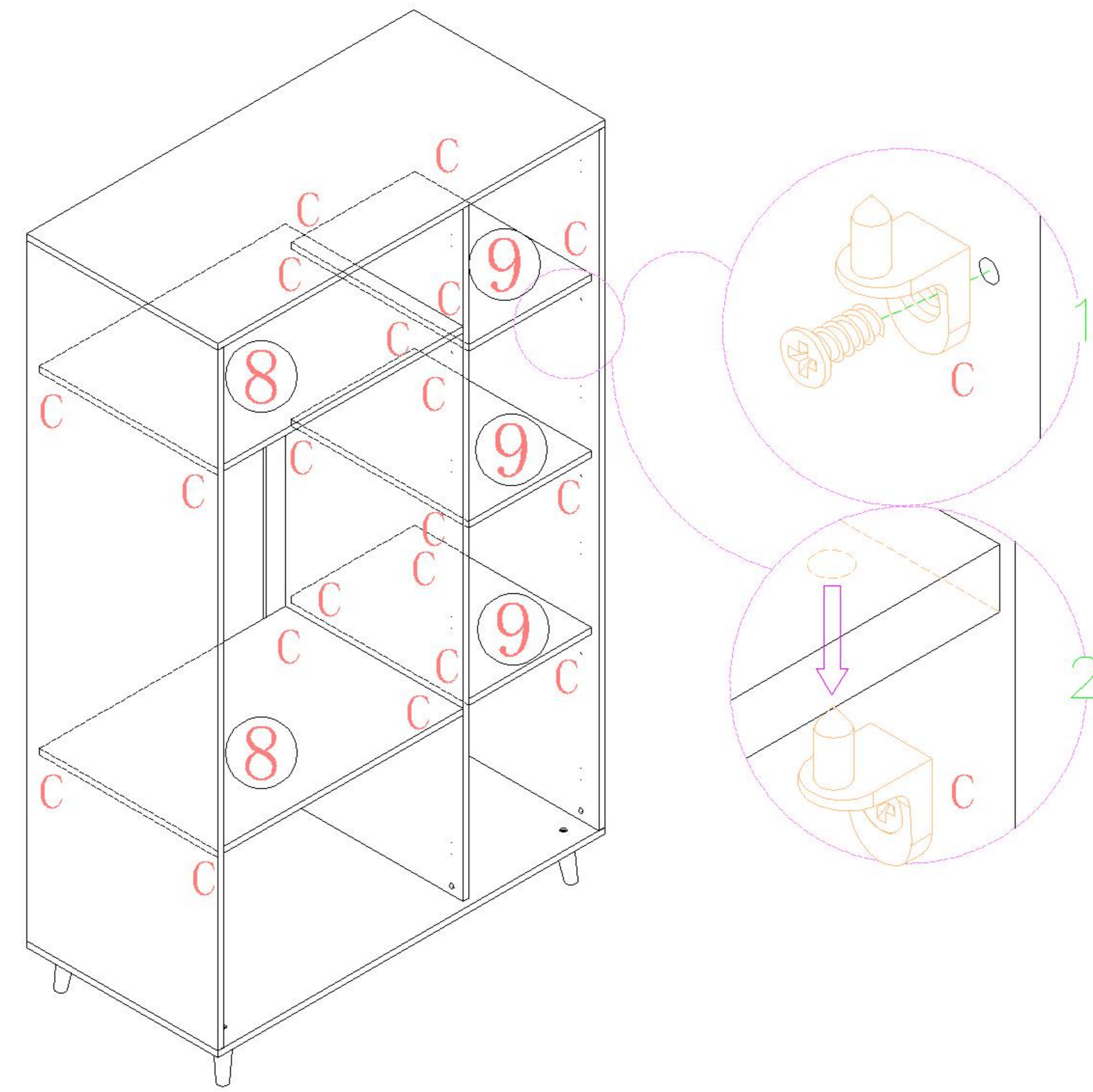
安装方法/ Installation method

阀门开关(下压为开)
Valve switch
(press down to open)

1



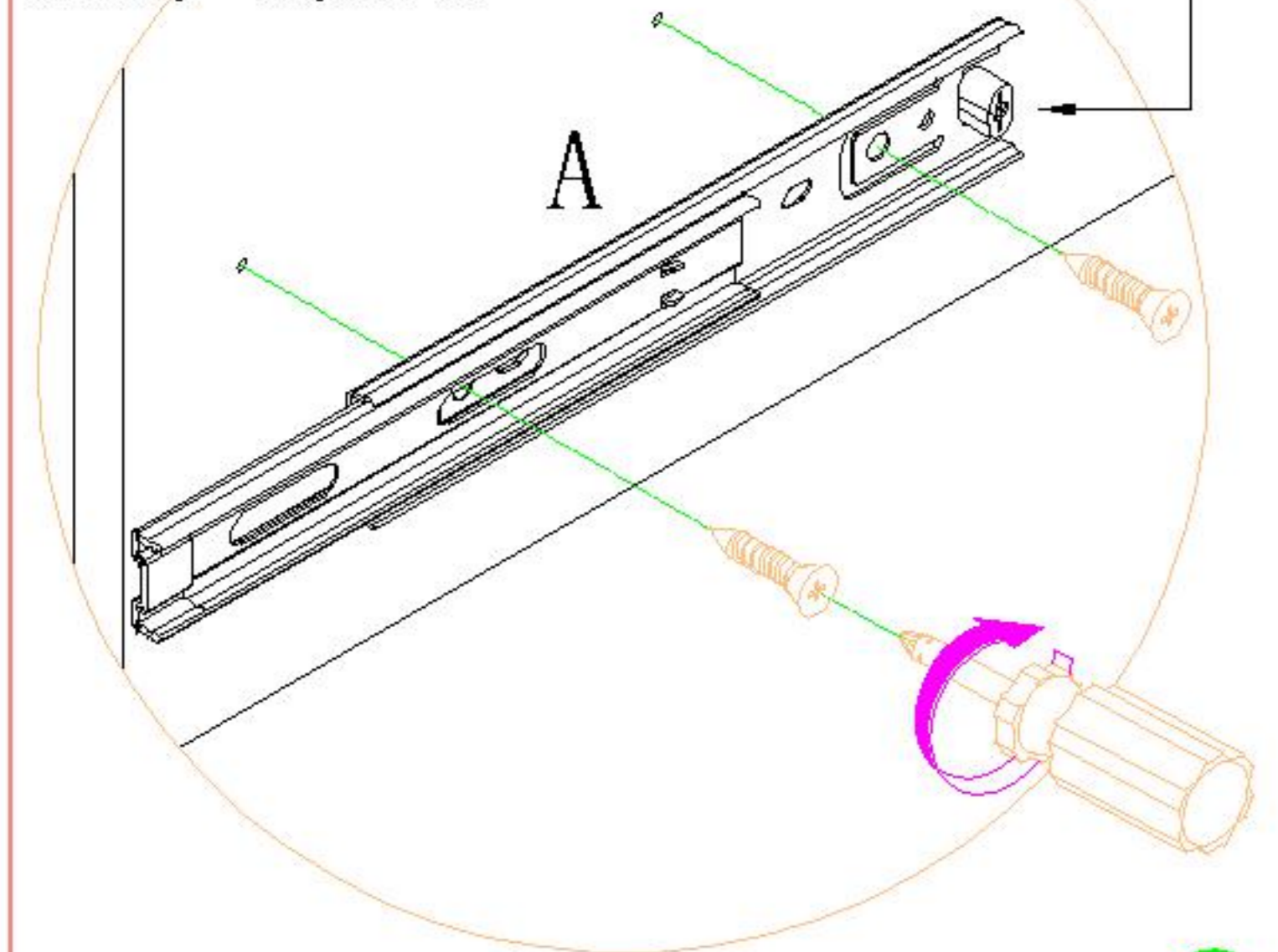
注: 先将A与B拆下来
Note: remove a and B first



侧板
side board

后after

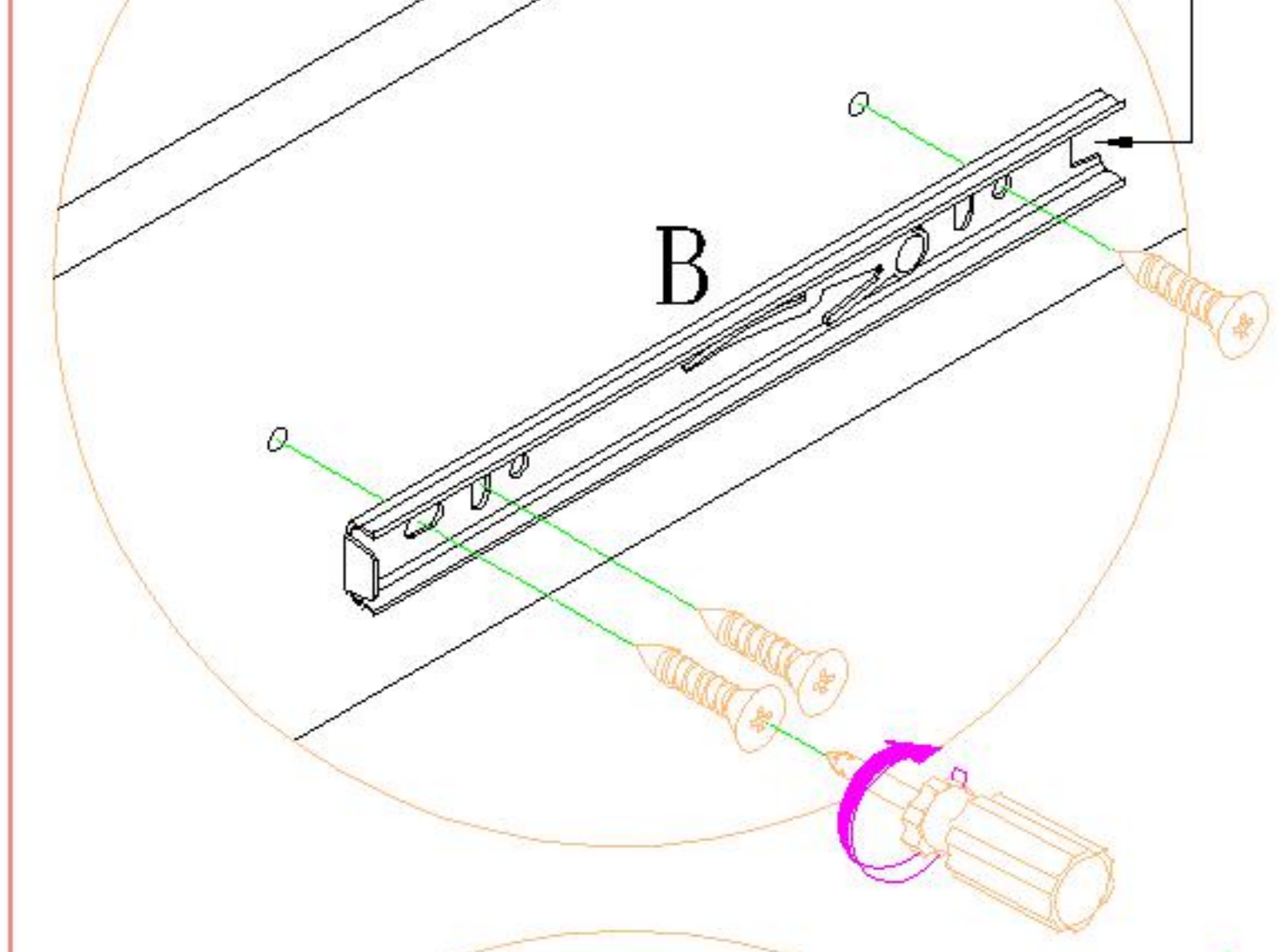
2



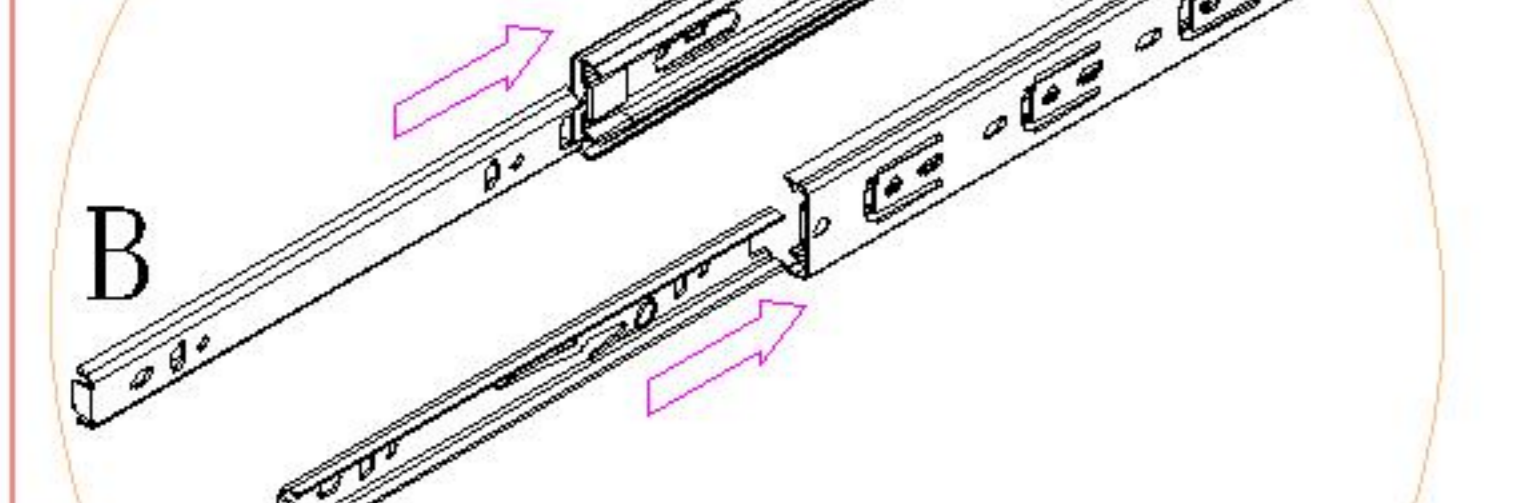
抽屉侧板
sideboard
of the drawer

后after

3



4



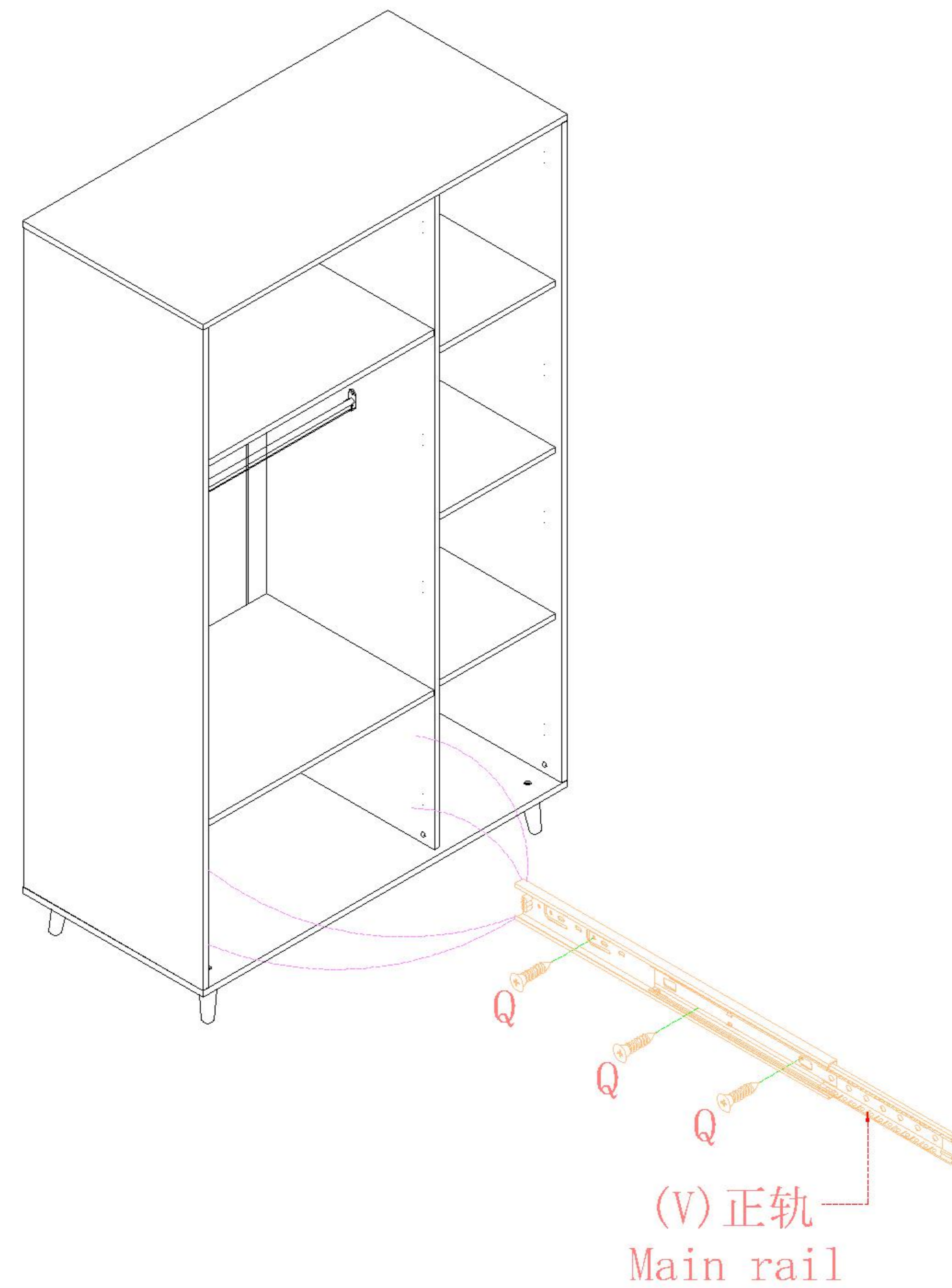
注: 将B对准A后推进去
Note: align B with a
and push it in

三节滚珠导轨
three-section ball rail

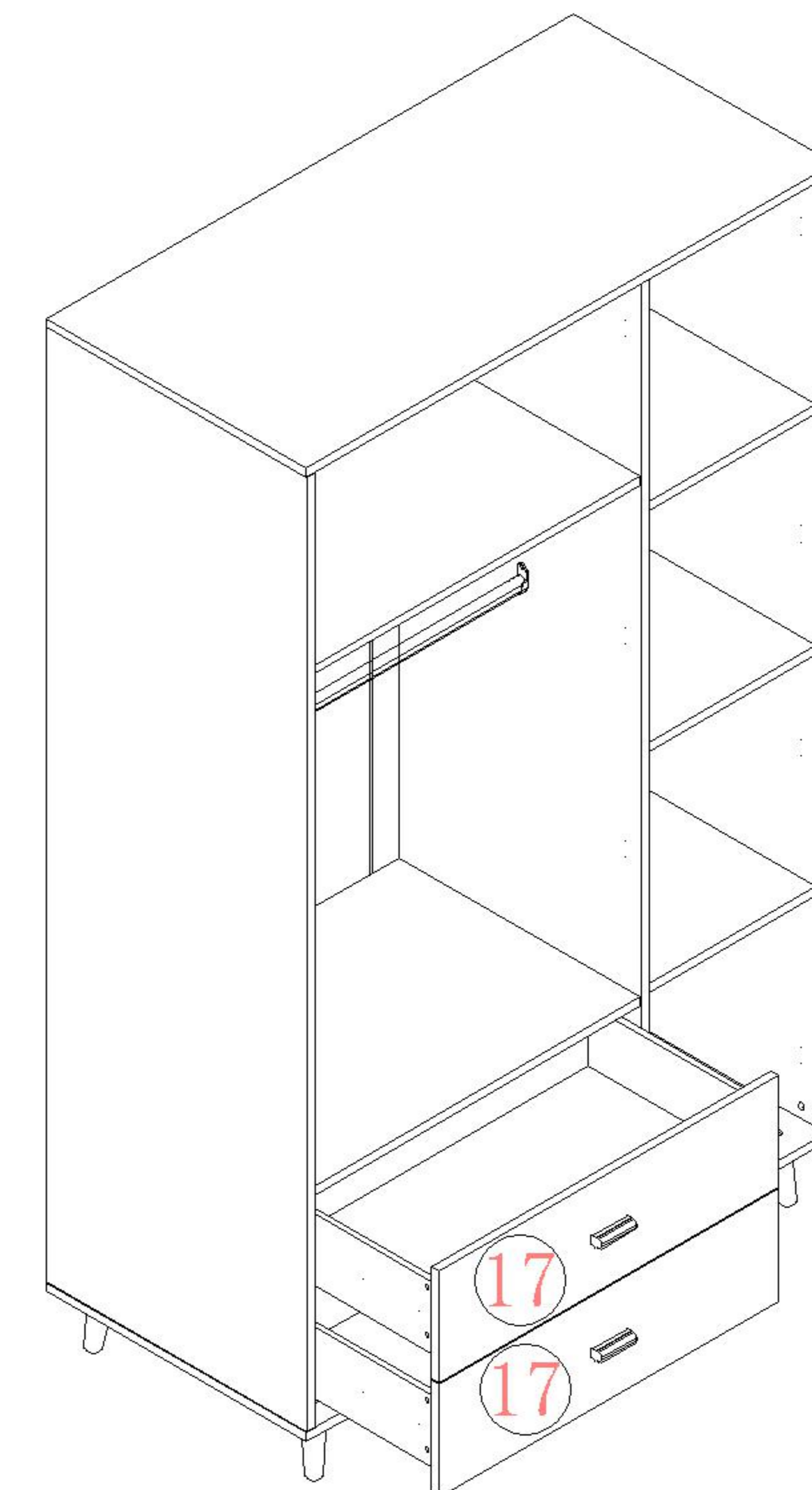
(Q)*12

(V)*2

11



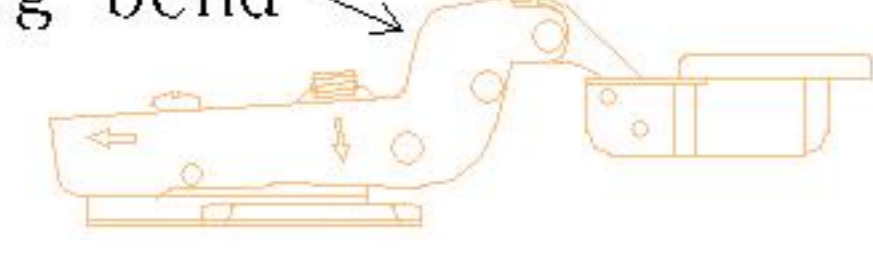
12



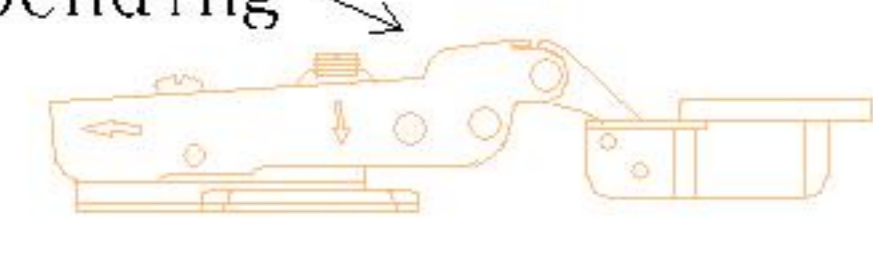
JC21D-A1 (1.2m)

安装方法/
Installation method

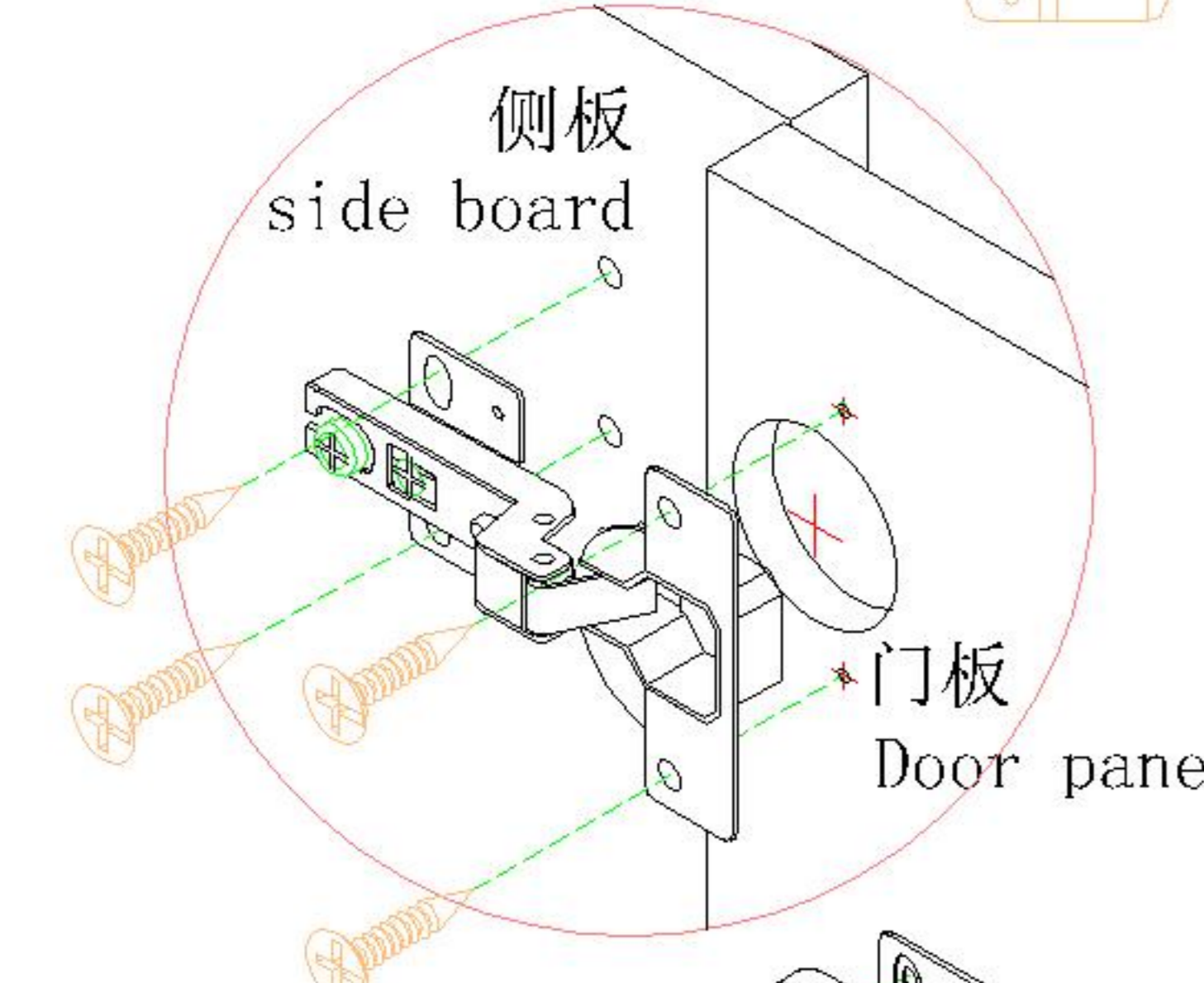
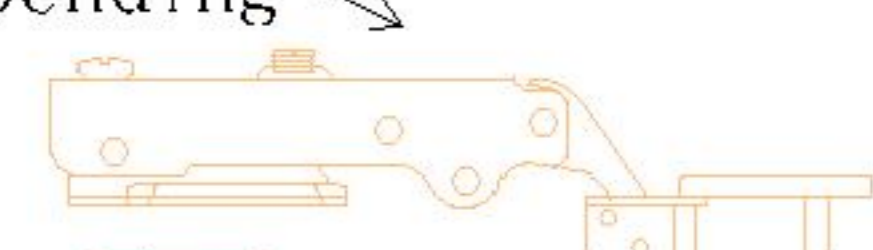
大弯big bend



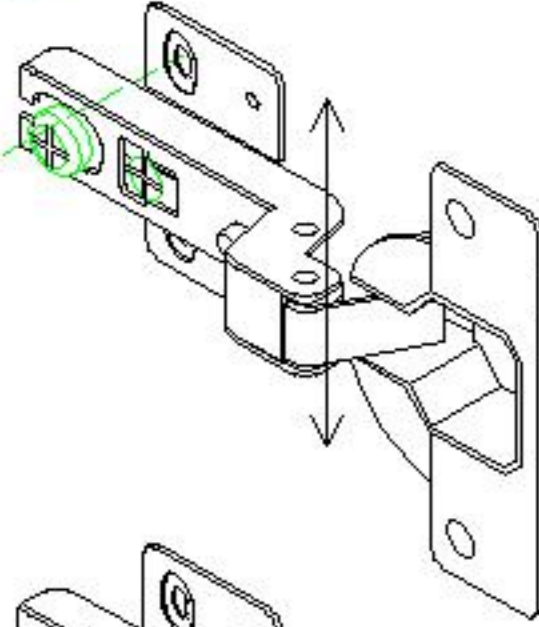
中弯middle bending



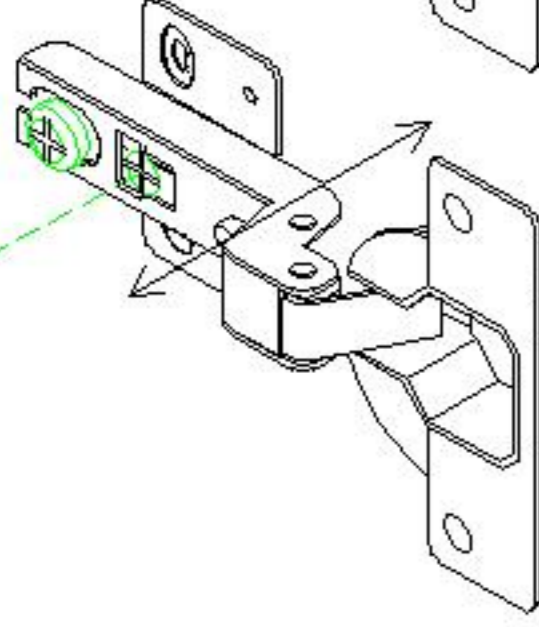
直弯straight bending



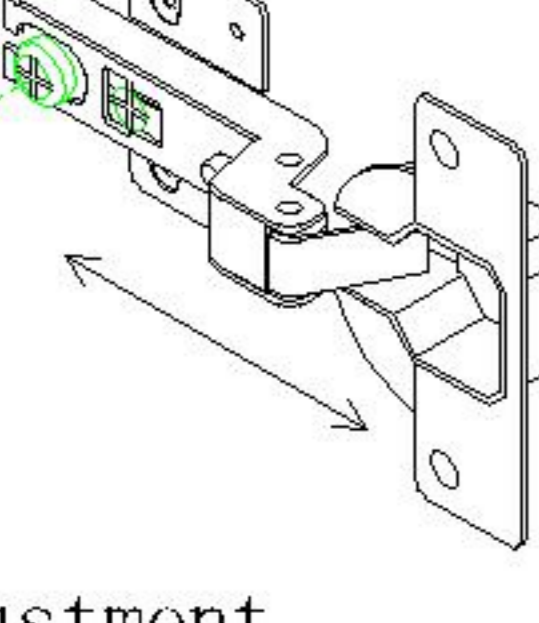
调节上下
Adjust up and down



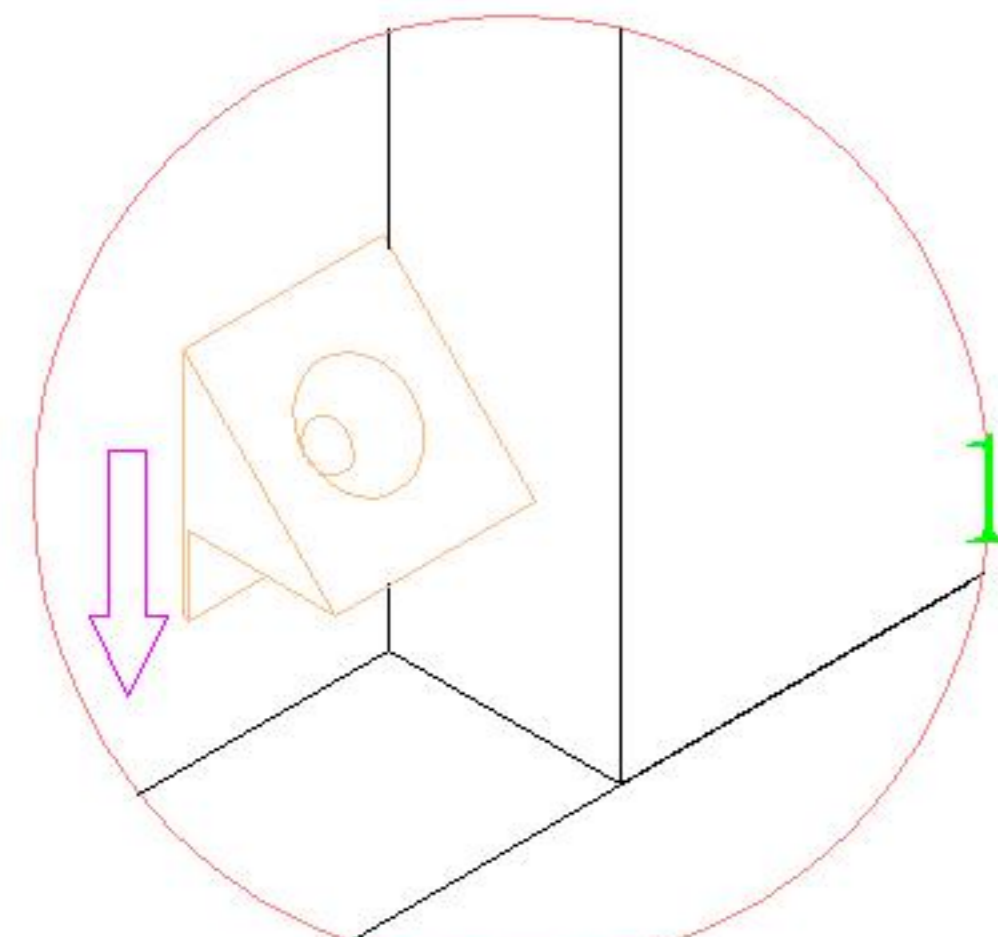
调节左右
Adjust left and right



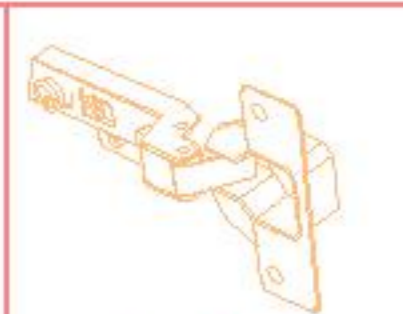
调节前后
Before and after adjustment



门铰
Hinge



背板扣
Back Plate Buckle-White



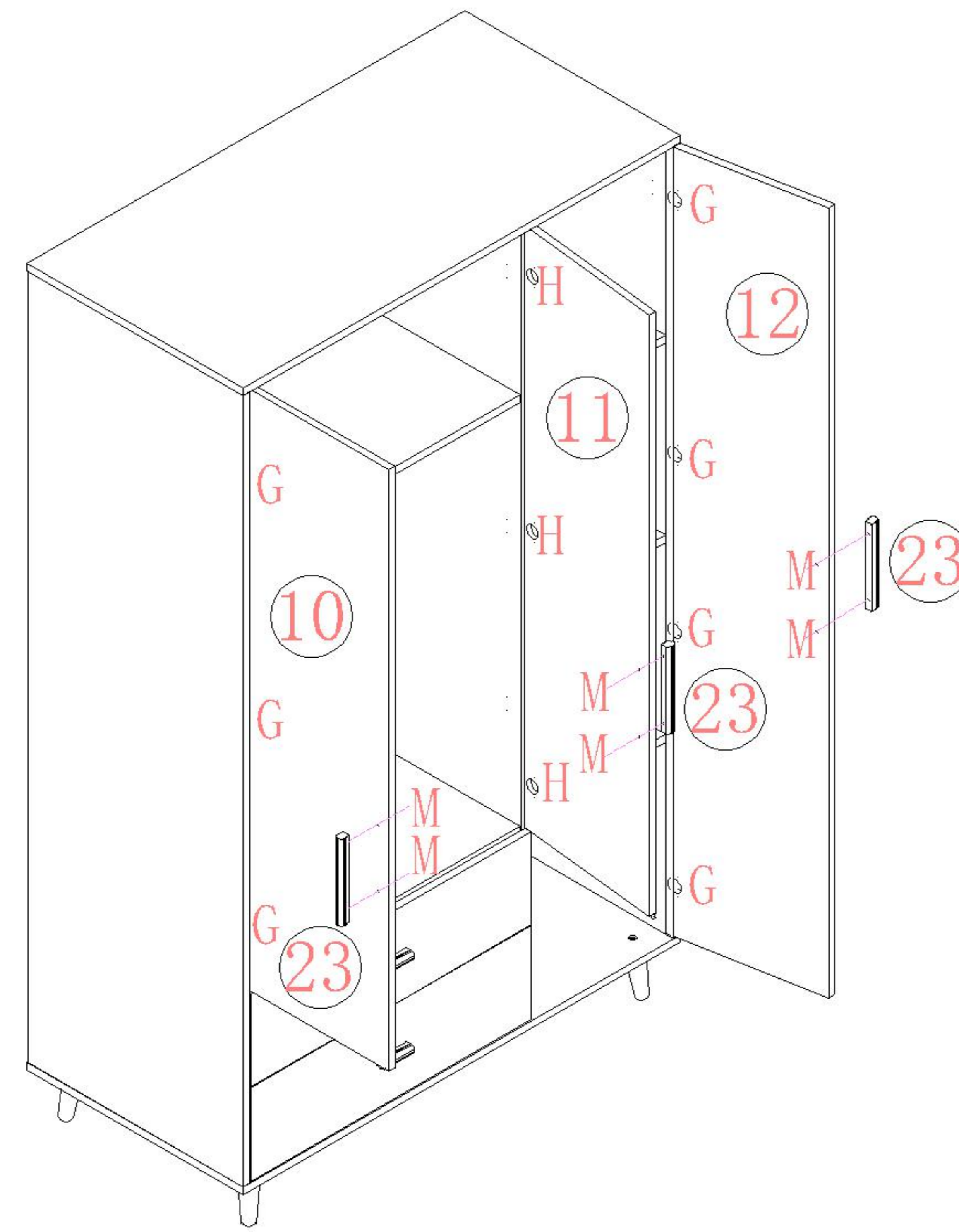
(G)*7



(H)*3



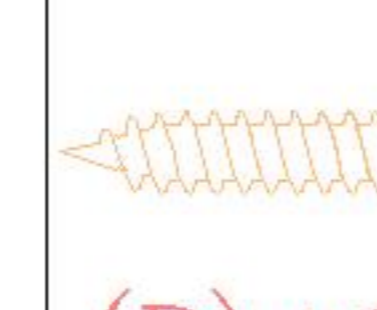
(M)*6



13



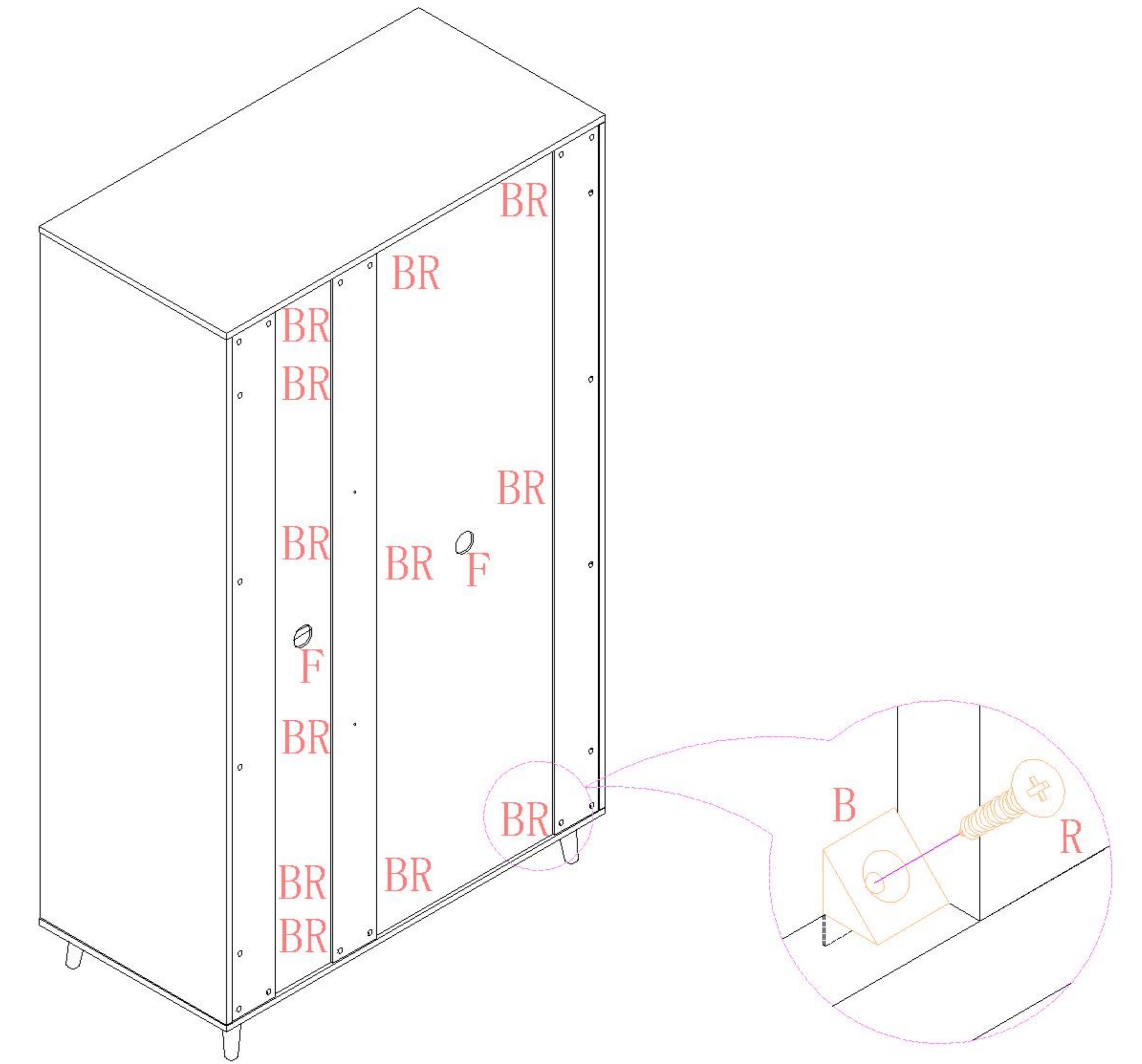
(B)*12



(R)*12

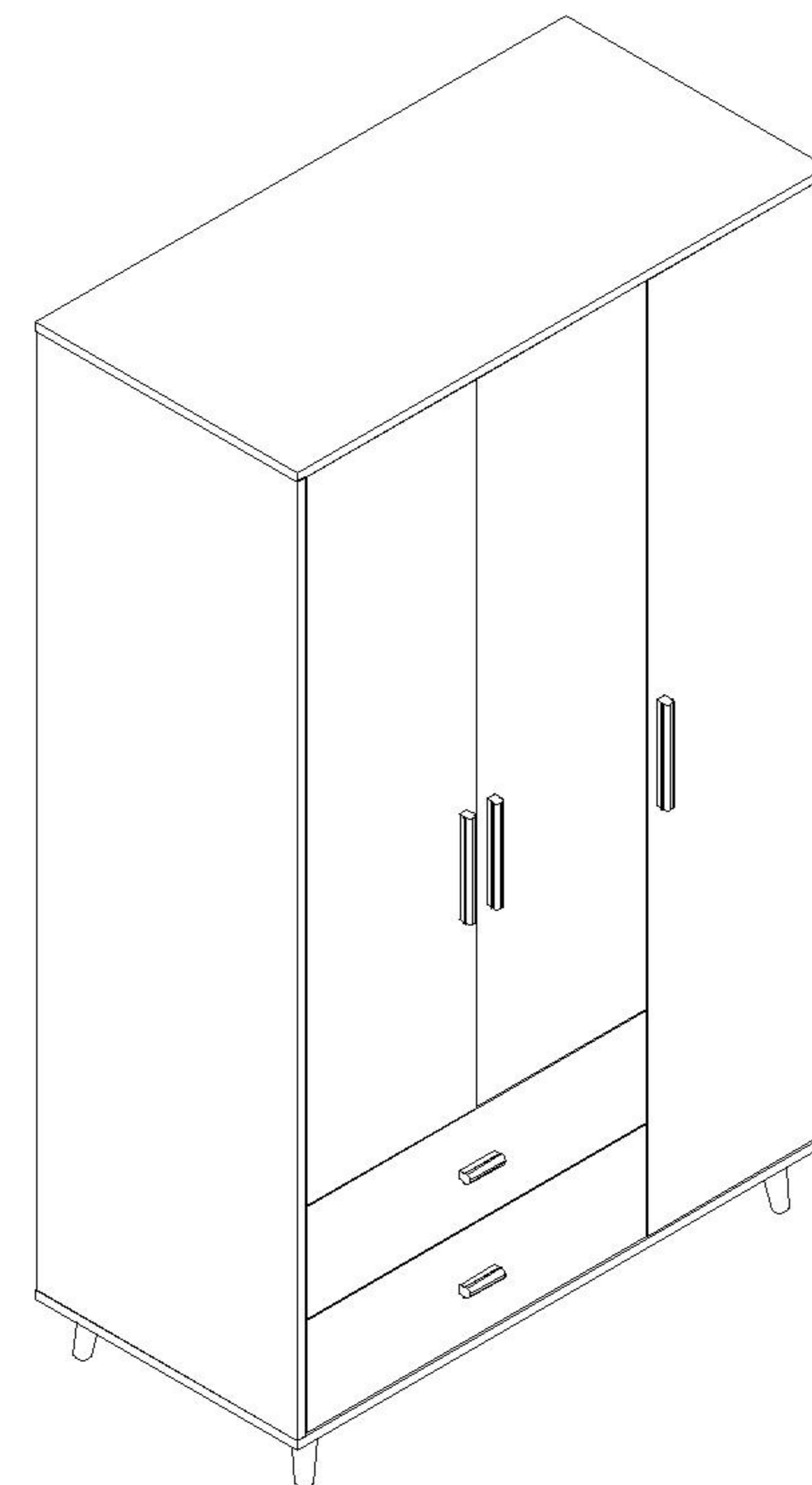


(F)*2



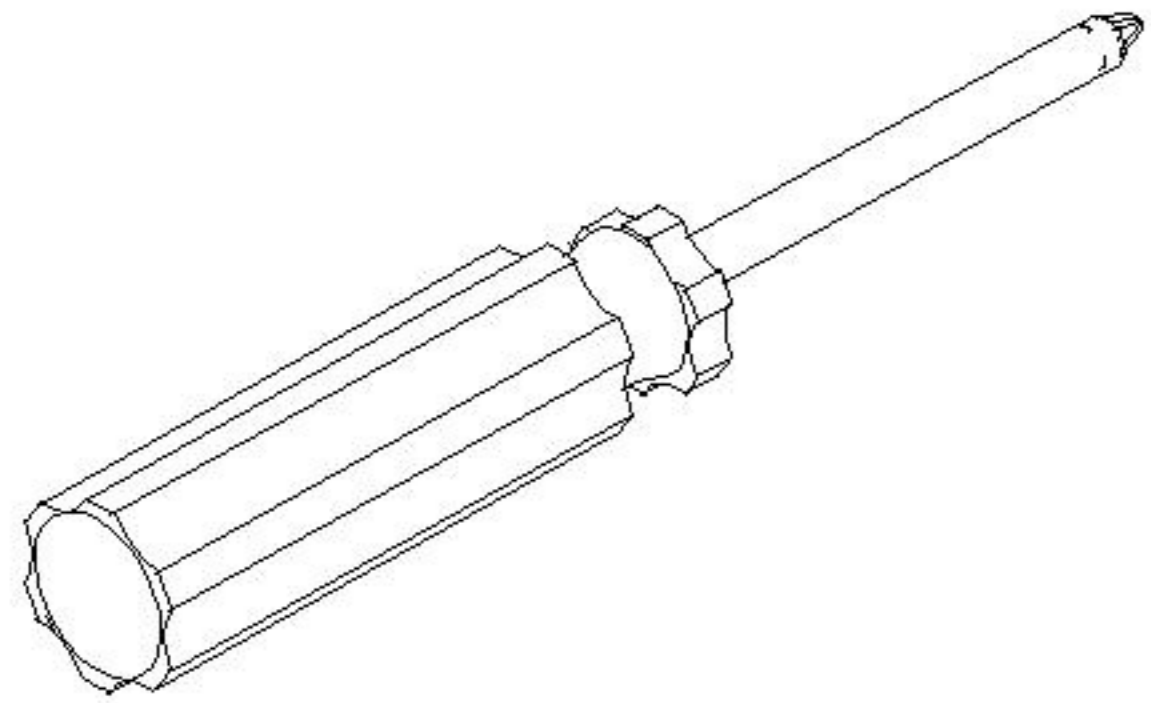
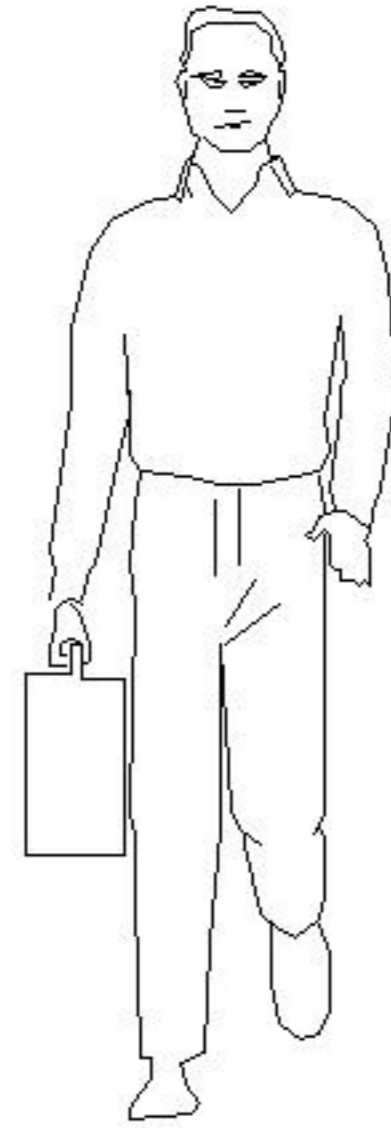
14

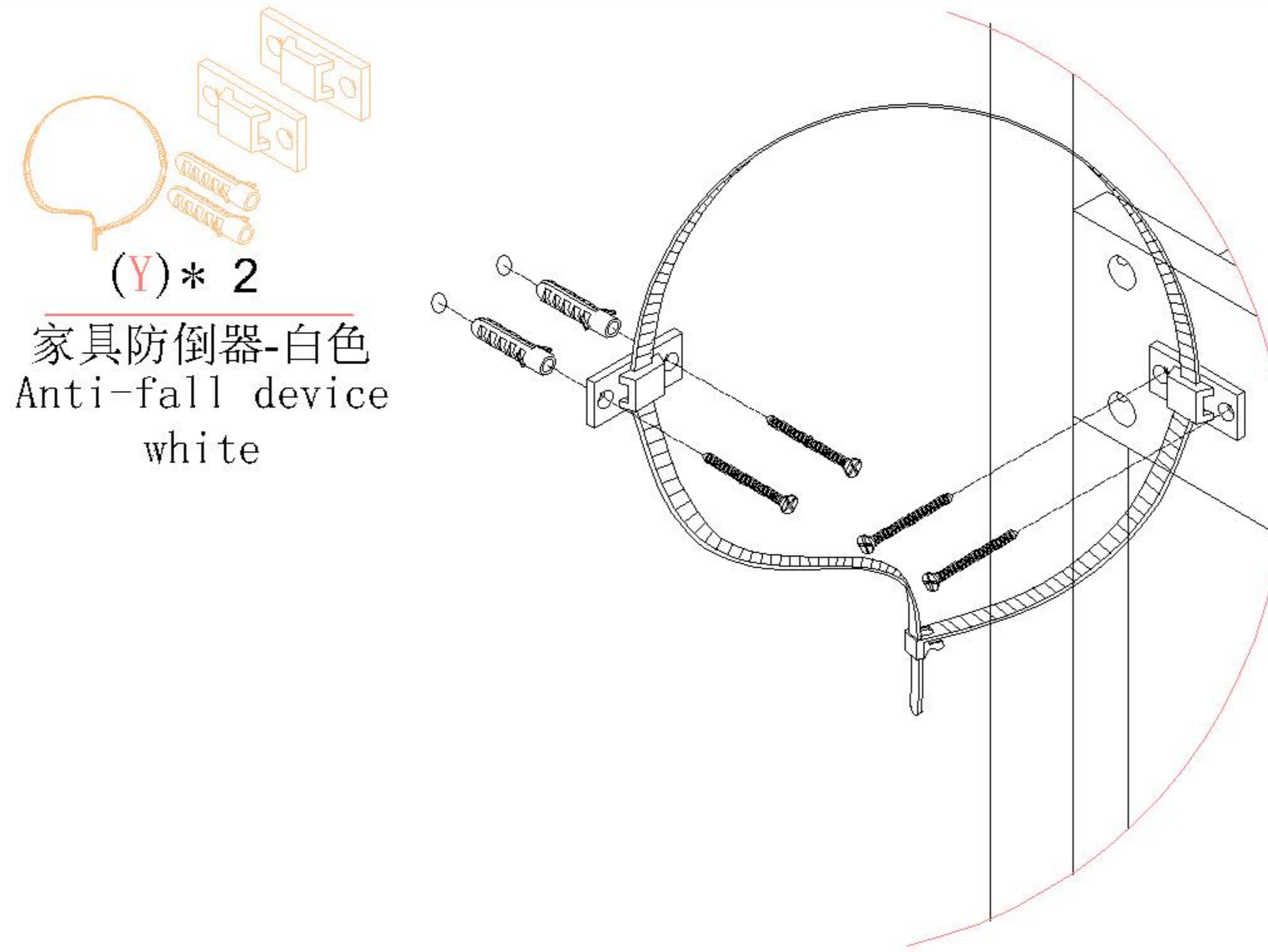
15



16

安装示意图/Assembly Instruction

产品名称 Model NO.	Anti-fall device
产品规格 Specification	-
安装工具 Tool	安装人数 Installer
	



(Y)* 2
家具防倒器-白色
Anti-fall device
white

Y处放大图
Enlarged view at Y

实体墙
Solid wall

