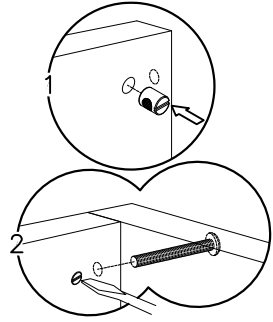
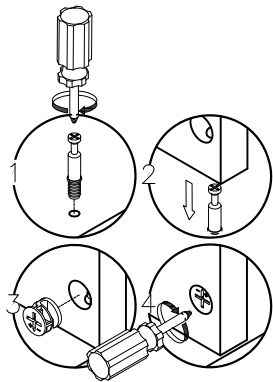


CD1A-A (1.5m)

安装方法
Installation method



锤母 Hammer nut



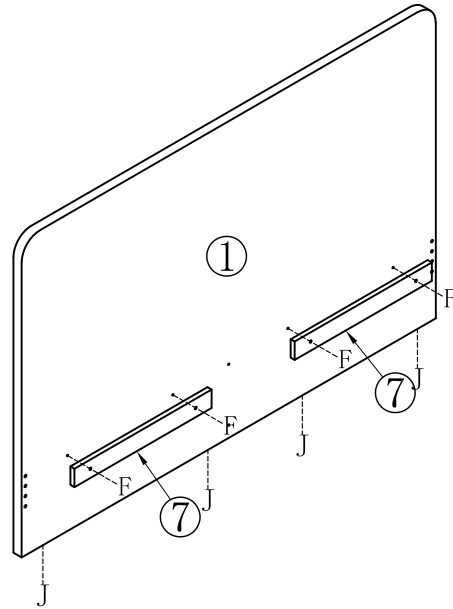
二合一
two-in-one



(F)*4



(J)*4



1



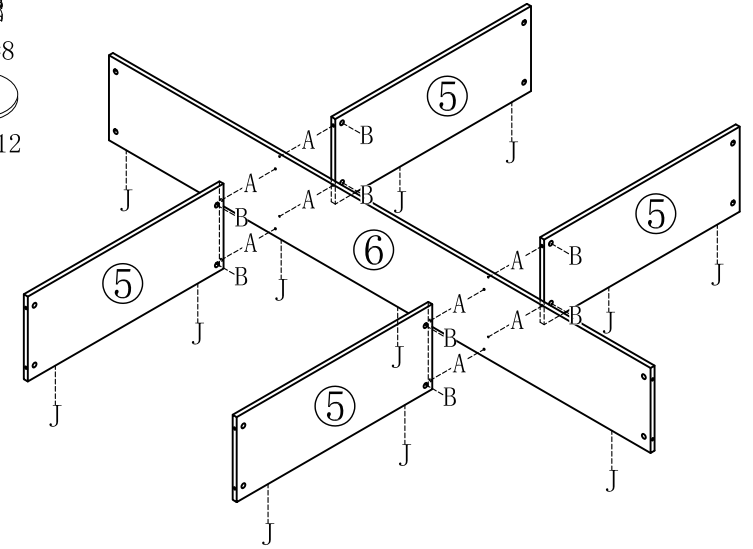
(A)*8



(B)*8



(J)*12



2



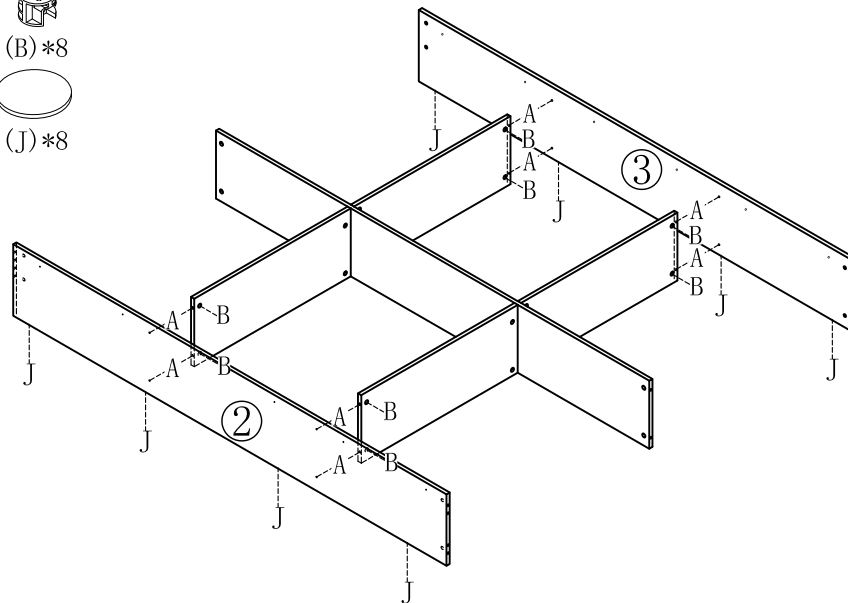
(A)*8



(B)*8



(J)*8



3



(C)*4



(D)*1



(G)*4



(E)*4



(A)*2

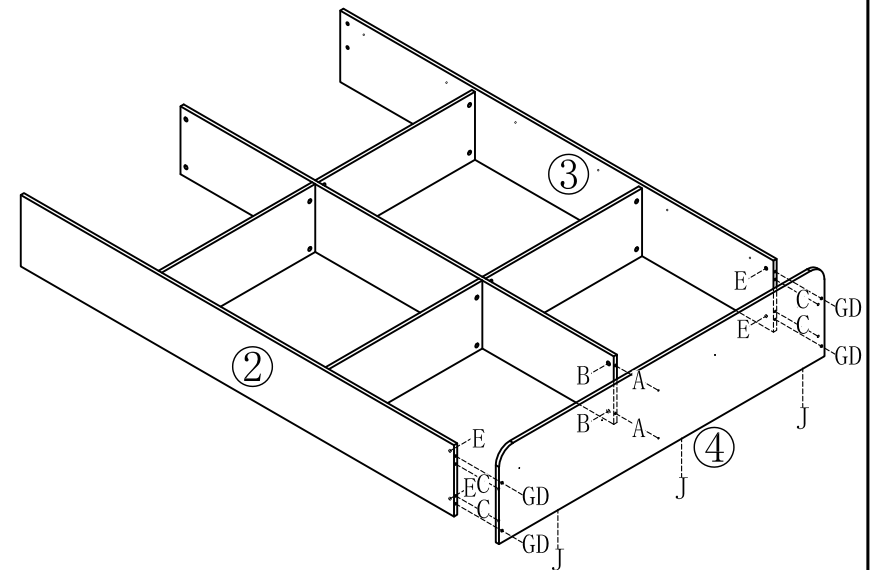


(B)*2



(J)*3

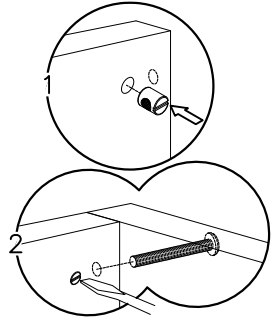
4



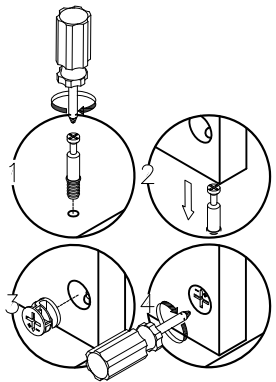
CD1A-A (1.5m)

安装方法

Installation method



锤母 Hammer nut



二合一
two-in-one



(C)*4



(E)*4



(I)*4



(D)*1



(A)*2



(B)*2



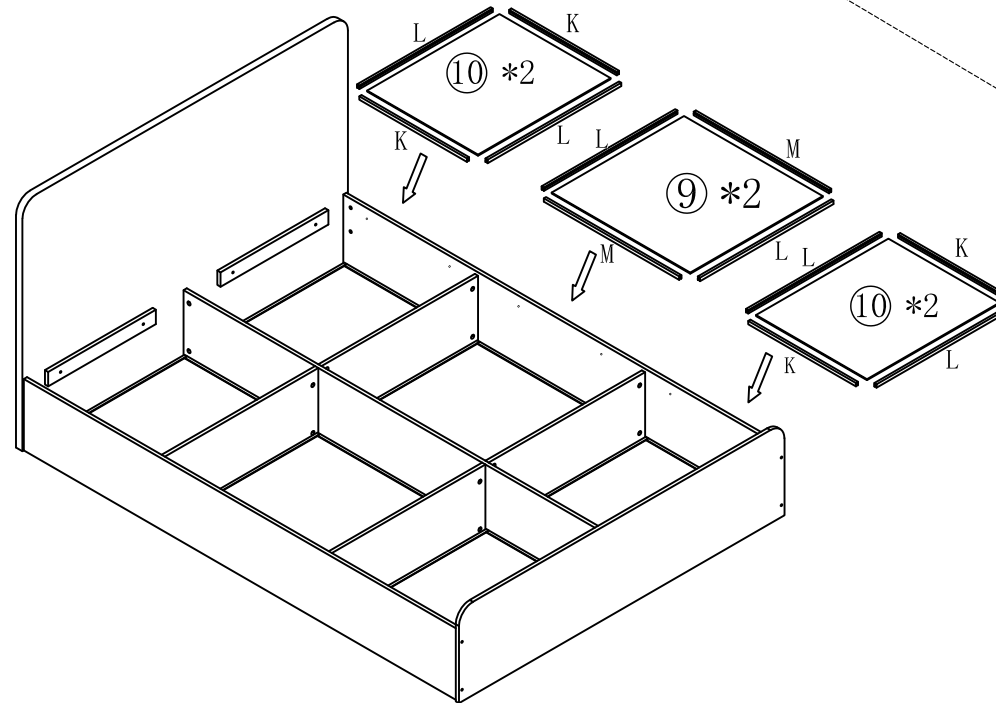
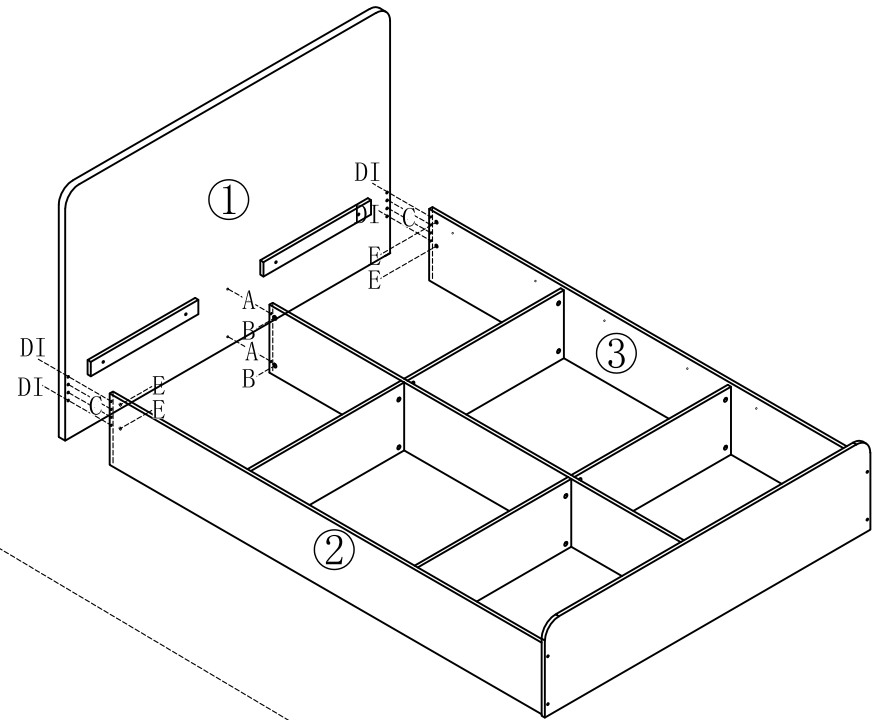
(K)*8



(L)*12



(M)*4



CD1A-A (1.5m)

安装方法
Installation method



(F)*16



(H)*2

