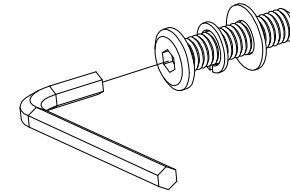
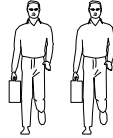


充电式手电钻 或者 十字螺丝刀  
Cordless hand drill  
Phillips screwdriver



安装人数Installer



内六角螺丝垫片安装顺序  
Installation sequence of  
hexagon socket screw gasket

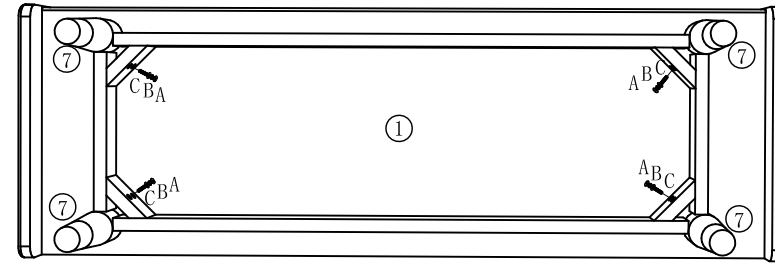
## 安装示意图/Assembly Instruction

产品名称 Model NO.	LS405T1-A
产品规格 Specification	餐边柜 sideboard
尺寸组合 Combined size	1200*415*880mm

### 配件表/Accessories list 部件表/Parts List

编号 No.	名称Name	图示Icon	数量QTY	编号 No.	名称Name	规格 Specification	数量 QTY	材质material
A	M6*55内六角螺栓 M6*55 Hexagon socket bolt		8	①	柜体框架 Cabinet frame	1200*400*750	1	实木 Solid wood
B	M6*10弹垫 shim-(M6*10mm) spring		8	②	抽屉1 Drawer 1	416*207*356	1	实木 Solid wood
C	M6平垫 shim-M6 colored zinc		8	③	抽屉2 Drawer 2	416*207*356	1	实木 Solid wood
D	4mm六角扳手 spanner-(4mm) hex		1	④	抽屉3 Drawer 3	416*207*356	1	实木 Solid wood
E	拉手 Handle		5	⑤	门 door	625*355*20	2	实木 Solid wood
F	拉手丝4*40 Handle wire 4*40		3	⑥	活动层板 Movable laminat	715*350*20	2	实木 Solid wood
G	拉手丝4*25 Handle wire 4*25		2	⑦	腿 legs	180*53*53	4	实木 Solid wood
H	防倒五金一套 A set of anti-fall hardware		2					

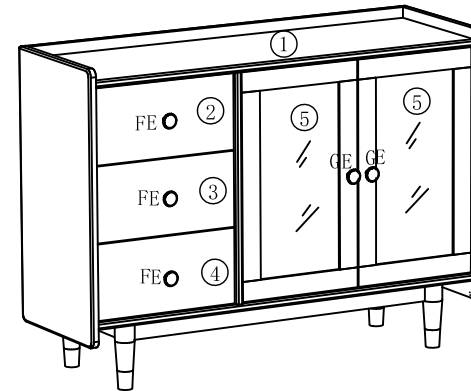
### STEP 1



△: 先将部件6取出, 再将柜体防倒, 用五金ABC将部件1和部件7连接固定, 安装完成后, 将柜子扶正, 再将部件6安装到柜体内;

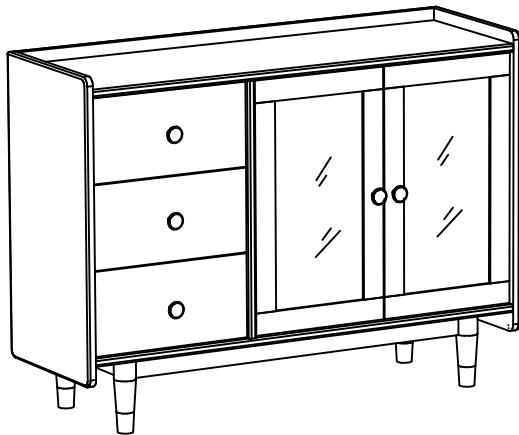
First take out part 6, then put down the cabinet, connect part 1 and part 7 with hardware ABC and fix it. After the installation is complete, straight the cabinet, and then install the part 6 into the cabinet.;

### STEP 2



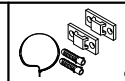
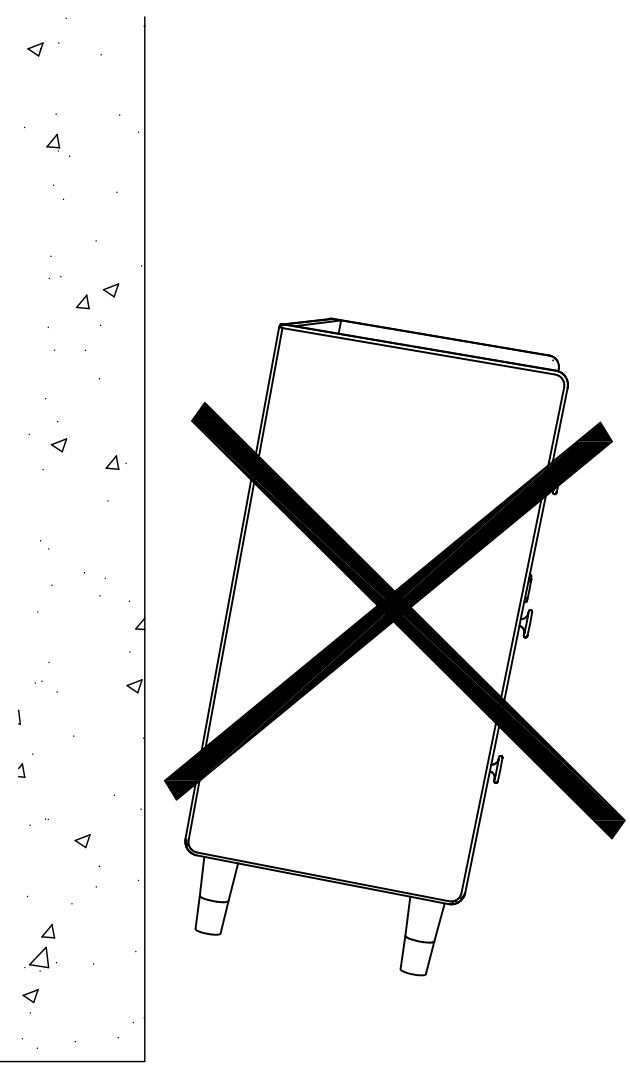
△: 将五金EG安装到部件5. 将五金EF安装到部件2、部件3、部件4.

Install the hardware EG to part 5. Install the hardware EF to Part 2, Part 3, and Part 4.



LS405T1-A

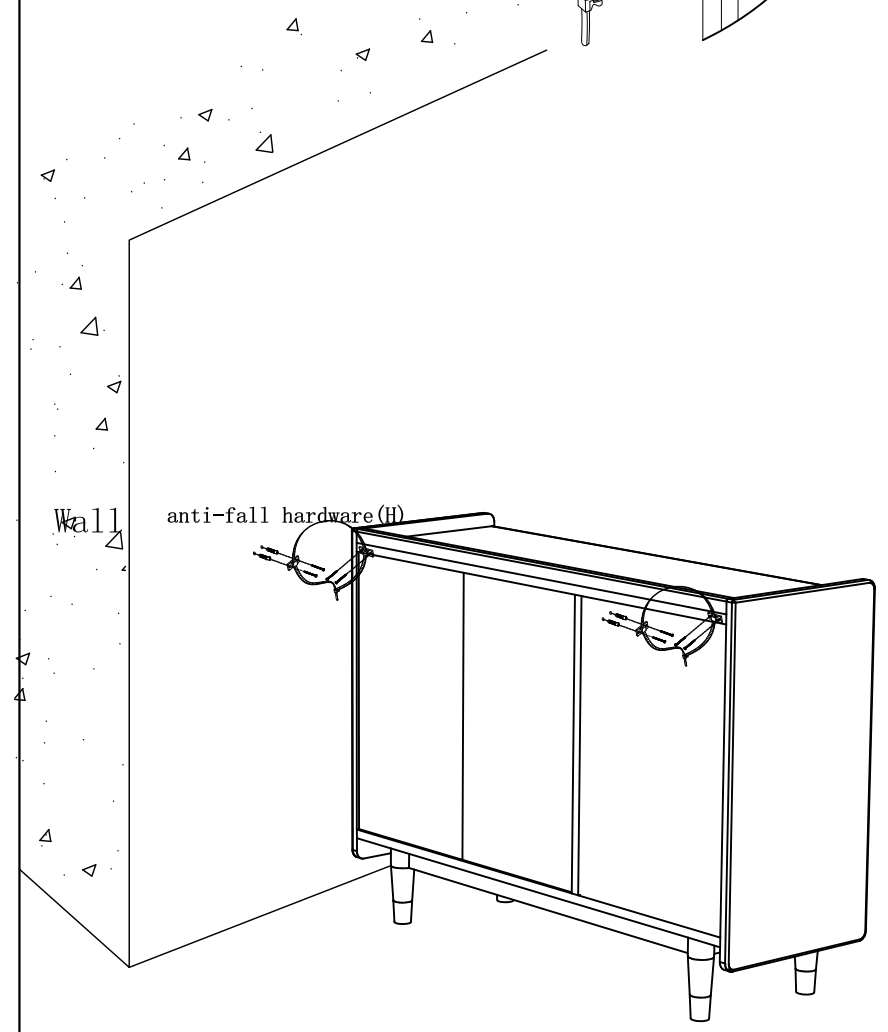
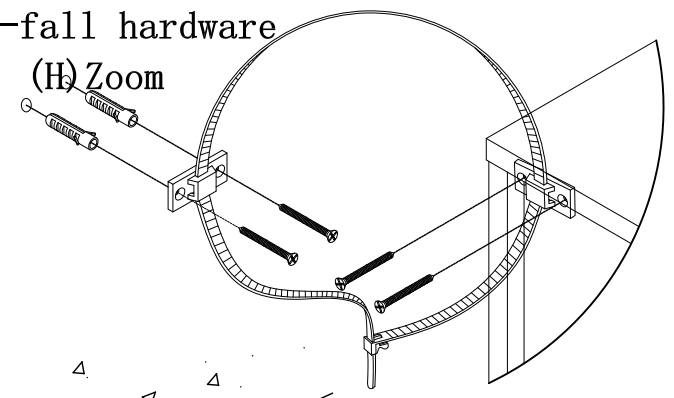
防倒器安装方法



anti-fall hardware

(H)\*2

(H) Zoom



anti-fall hardware (H)