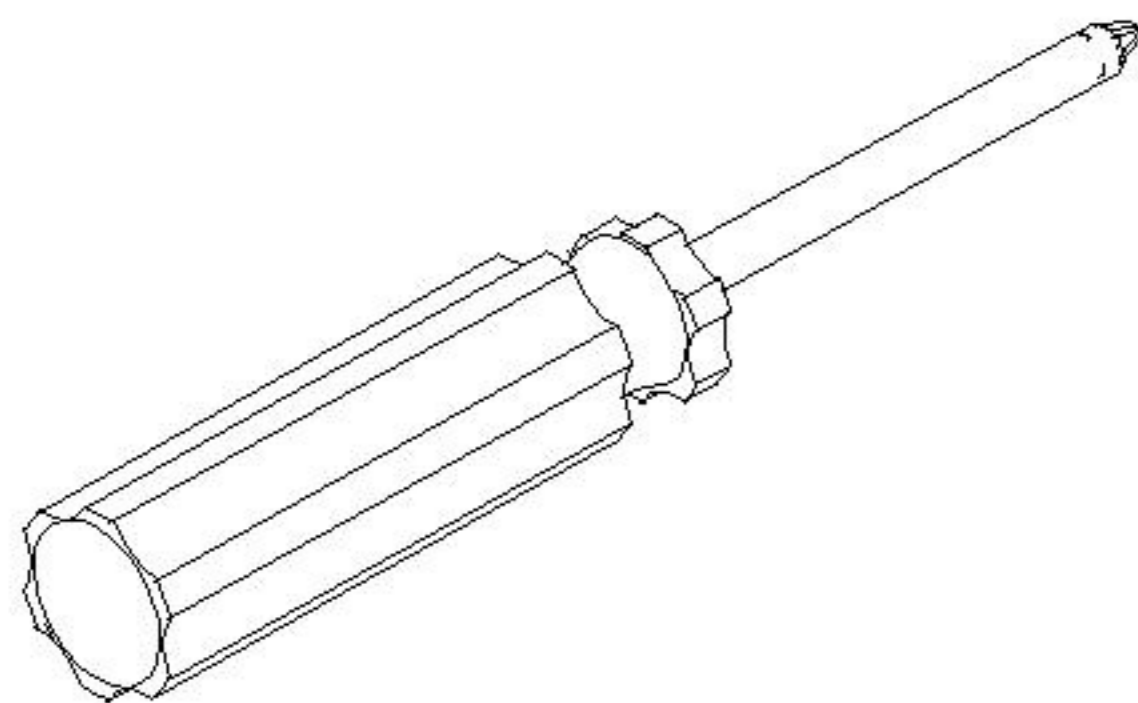
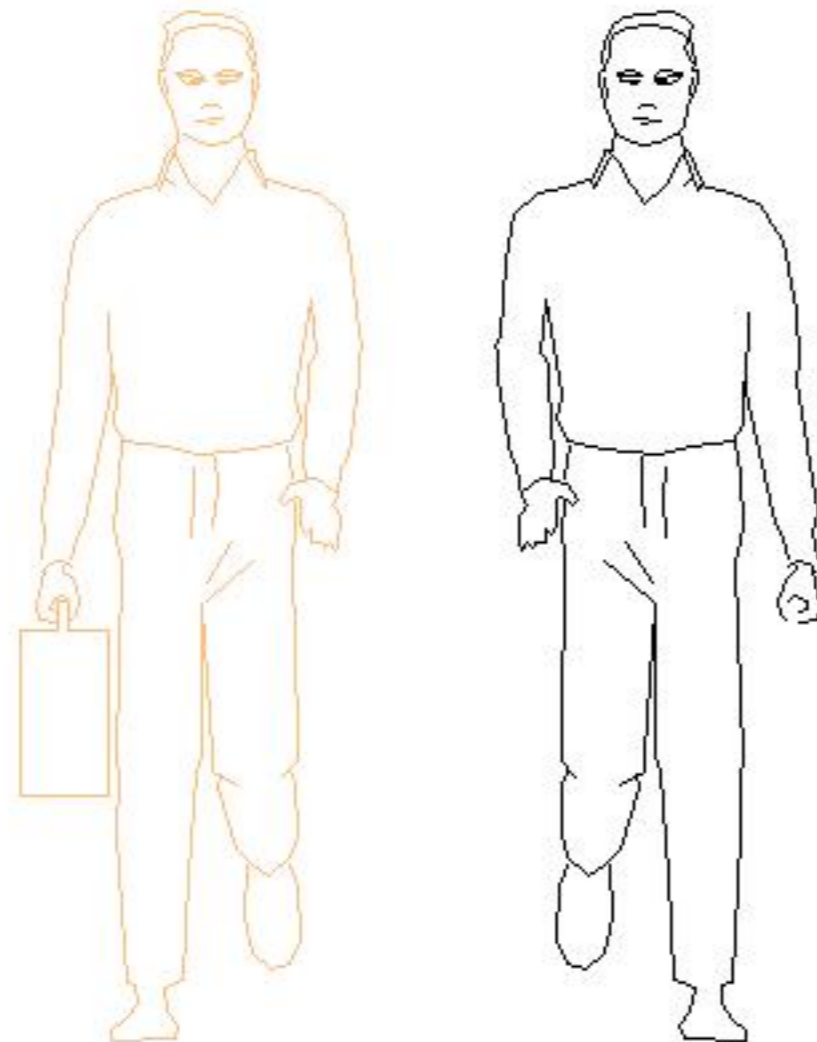


LINSY 林氏家居


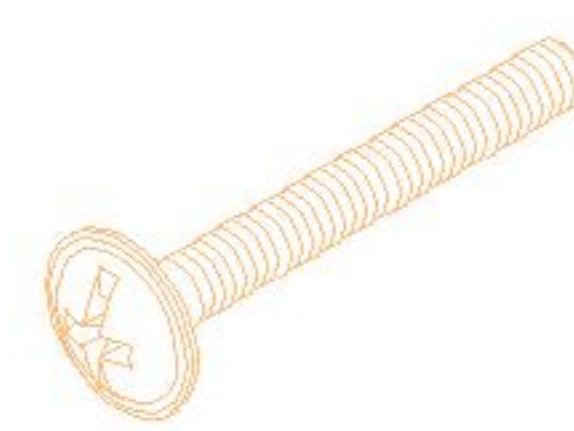
五金表/Hardware list

部件表/Parts List

安装示意图/Assembly Instruction

产品名称 Model NO.	PK2X-C(1.0m)
产品规格 Specification	994*340*2001mm
安装工具 Tool	安装人数 Installer
	



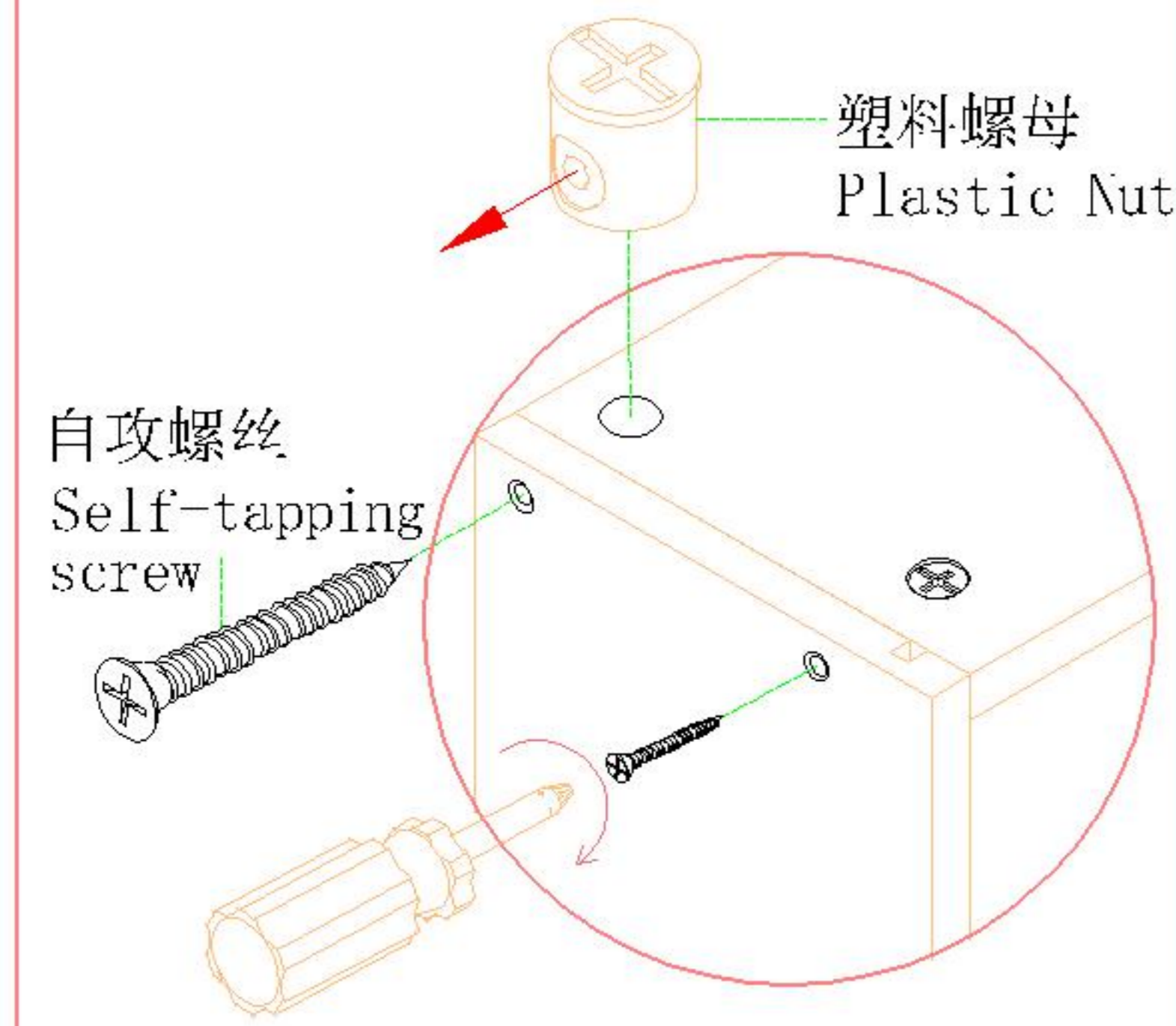
 (A)*24 二合一螺杆 2-in-1-screw	 (B)*24 大三合一锁饼 Three-in-one large lock	 (C)*6 木榫- $\varnothing 8 \times 30$ Wood tenon	 (D)*12 层板托 Shelf support
 (E)*13 白攻螺丝M4*10mm Tapping screw	 (F)*13 塑料螺母 Plastic Nut	 (G)*2 拉手螺丝-M4x35mm Pulling screw	 (H)*2 拉手螺丝-M4x25mm Pulling screw
 (I)*13 背板扣 White buckle	 (J)*21 白攻螺丝M3.5*16mm Tapping screw	 (K)*1 三节滚珠导轨10" Three-section rail	 (L)*13 白攻螺丝M3.5*12mm Tapping screw
 (M)*6 大扁白攻M4*25mm Flat head tapping screw	 (N)*18 大扁白攻M4*30mm Flat head tapping screw	 (O)*17 垫片-M5 Shim	 (P)*4 拉手-铝合金黑色哑光 Handle
 (Q)*8 缓冲门较大弯-杯径 $\varnothing 35$ Great bend hinge	 (R)*2 单层磁碰 magnetic catch	 (S)*2 家具防倒器-白色 Anti-fall device	 (T)*6 灰色毛毡垫 Foot pad

编号NO.	名称Name	规格 (mm) Specification	数量QTY	材质Material
①	面板 Top panel	994*330*18	1	实木 wood
②	底板 Bottom board	954*283*18	1	实木 wood
③	左侧板组立 Side board assembly(L)	1980*330*40	1	实木 wood
④	右侧板组立 Side board assembly(R)	1980*330*40	1	实木 wood
⑤	前拉条 Front brace	954*50*20	1	实木 wood
⑥	中层板 Middle shelf	954*260*18	1	实木 wood
⑦	下层板 Lower shelf	954*260*18	1	实木 wood
⑧	活动层板 Movable shelf	953*260*18	3	实木 wood
⑨	门板组立 Door plank assembly	1699*473*20	2	实木+玻璃 Wood+Glass
⑩	边背拉条 Side back brace	1930*130*18	2	实木 wood
⑪	背拉条 Back brace	1930*130*18	1	实木 wood
⑫	背板 Back board	1942*298*8	2	实木 wood
⑬	抽屉面板 Drawer's top panel	948*222*20	1	实木 wood
⑭	抽屉前板 Drawer's front board	904*142*12	1	实木 wood
⑮	抽屉侧板 Drawer's sideboard	260*142*12	2	实木 wood
⑯	抽屉后板 Drawer's Back board	904*142*12	1	实木 wood
⑰	抽屉底板 Drawer's Bottom board	914*244*8	1	实木 wood
⑱	抽屉底托条 Drawer's bottom bracket	234*58*12	1	实木 wood

PK2X-C(1.0m)

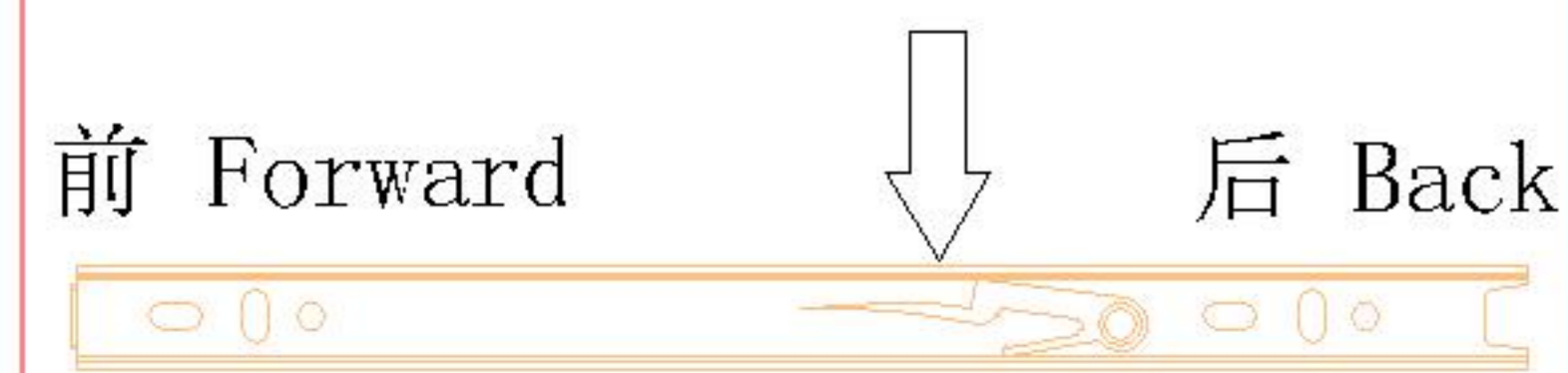
安装方法

Installation method

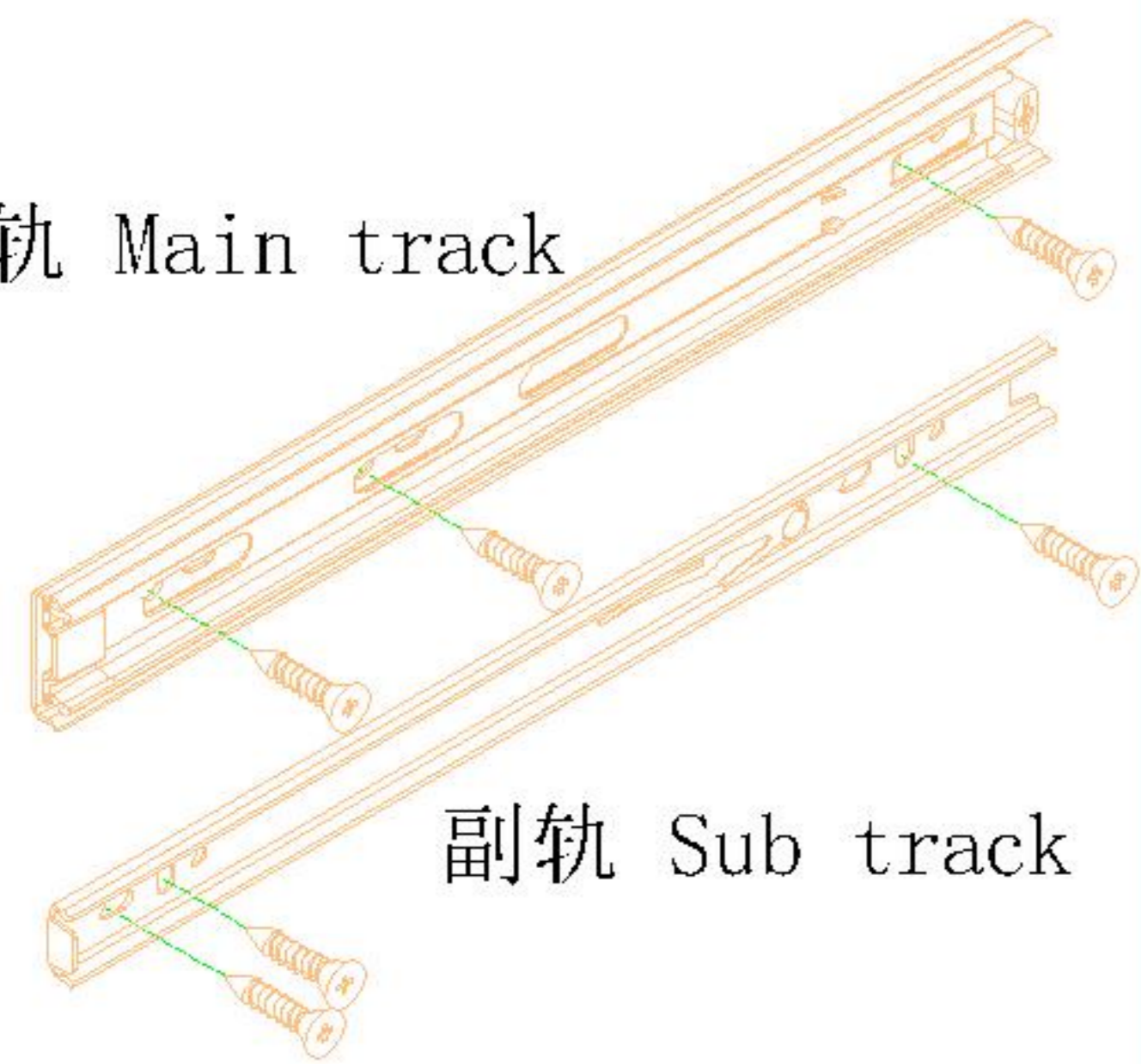


塑料螺母 Plastic Nut

阀门开关(下压为开)
Valve switch (press down to open)

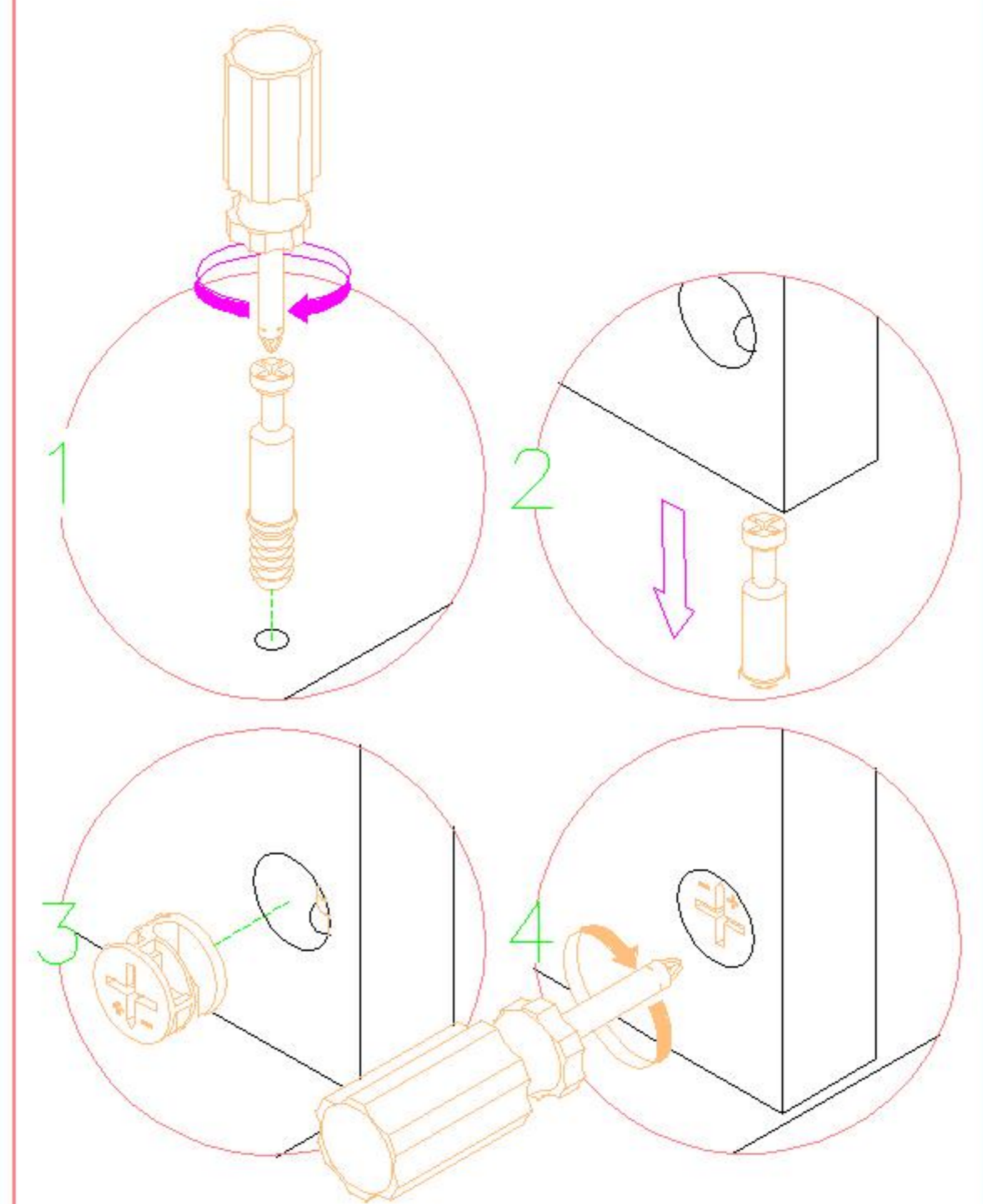


主轨 Main track

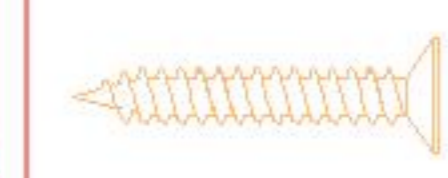


副轨 Sub track

三节滚珠导轨-10"
Three-section rail



大二合一 two-in-one



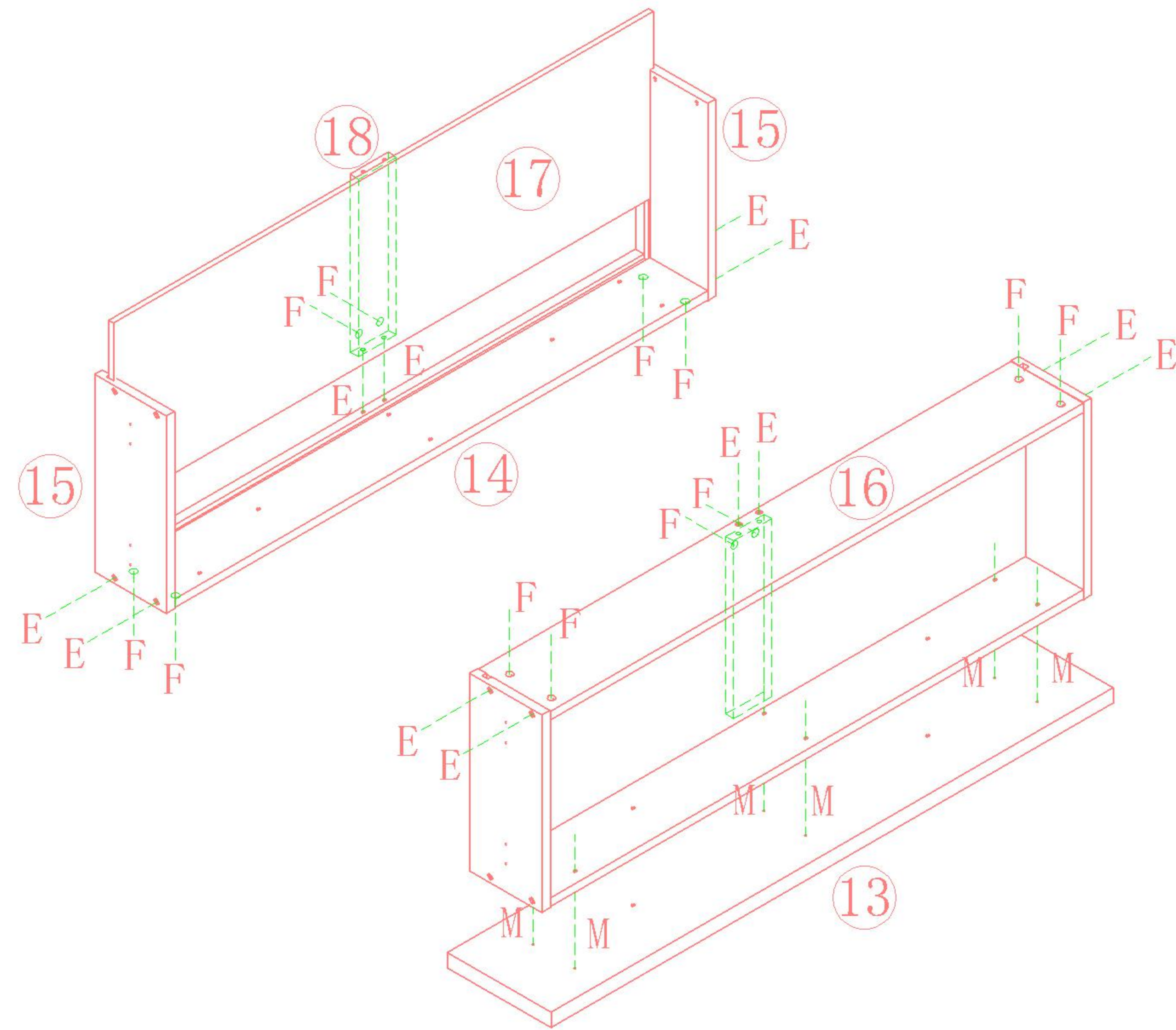
(E)*12



(F)*12



(M)*6



1



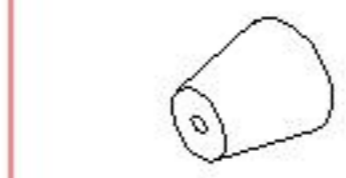
(G)*2



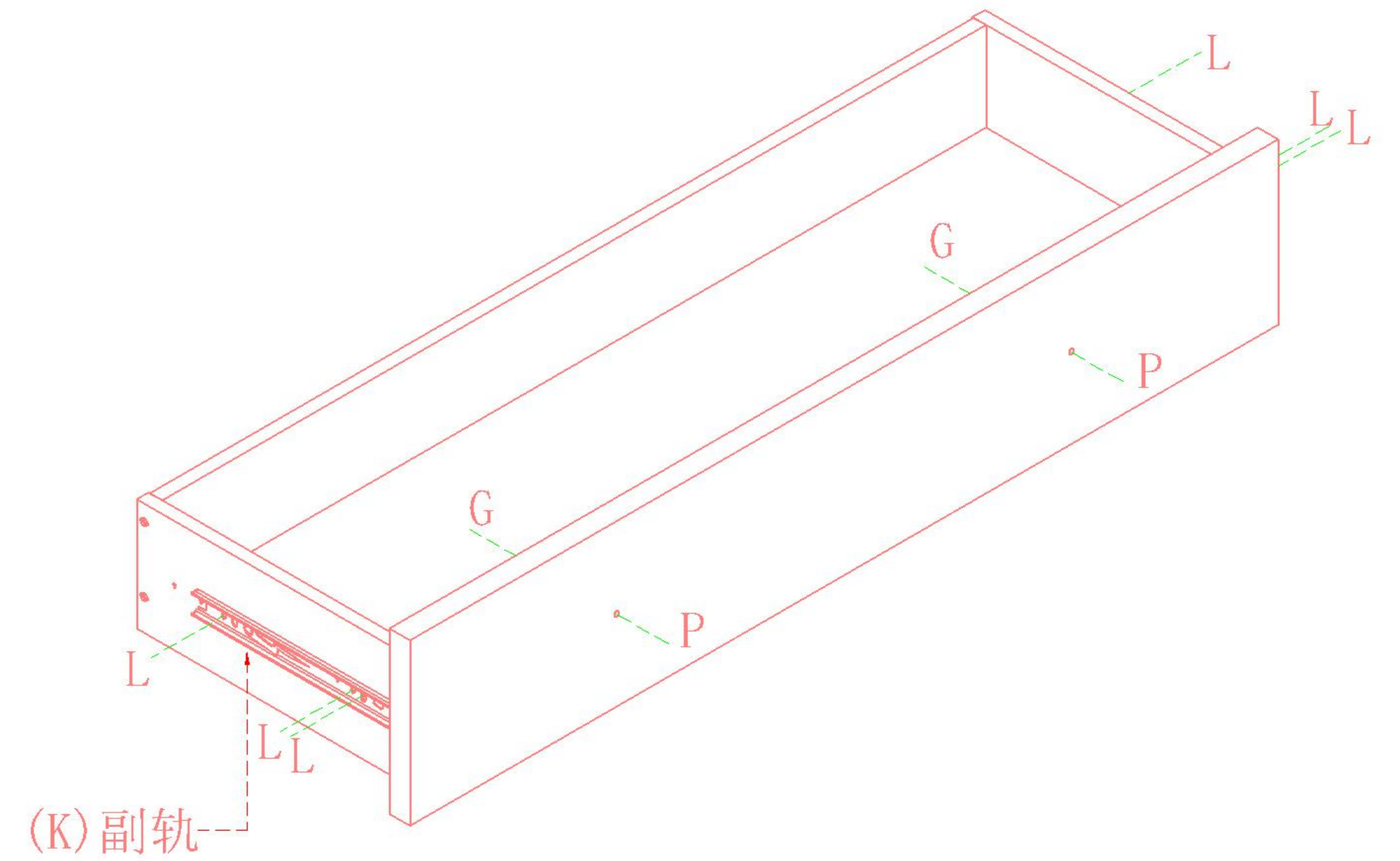
(K)*1



(L)*6



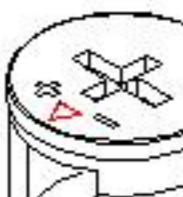
(P)*2



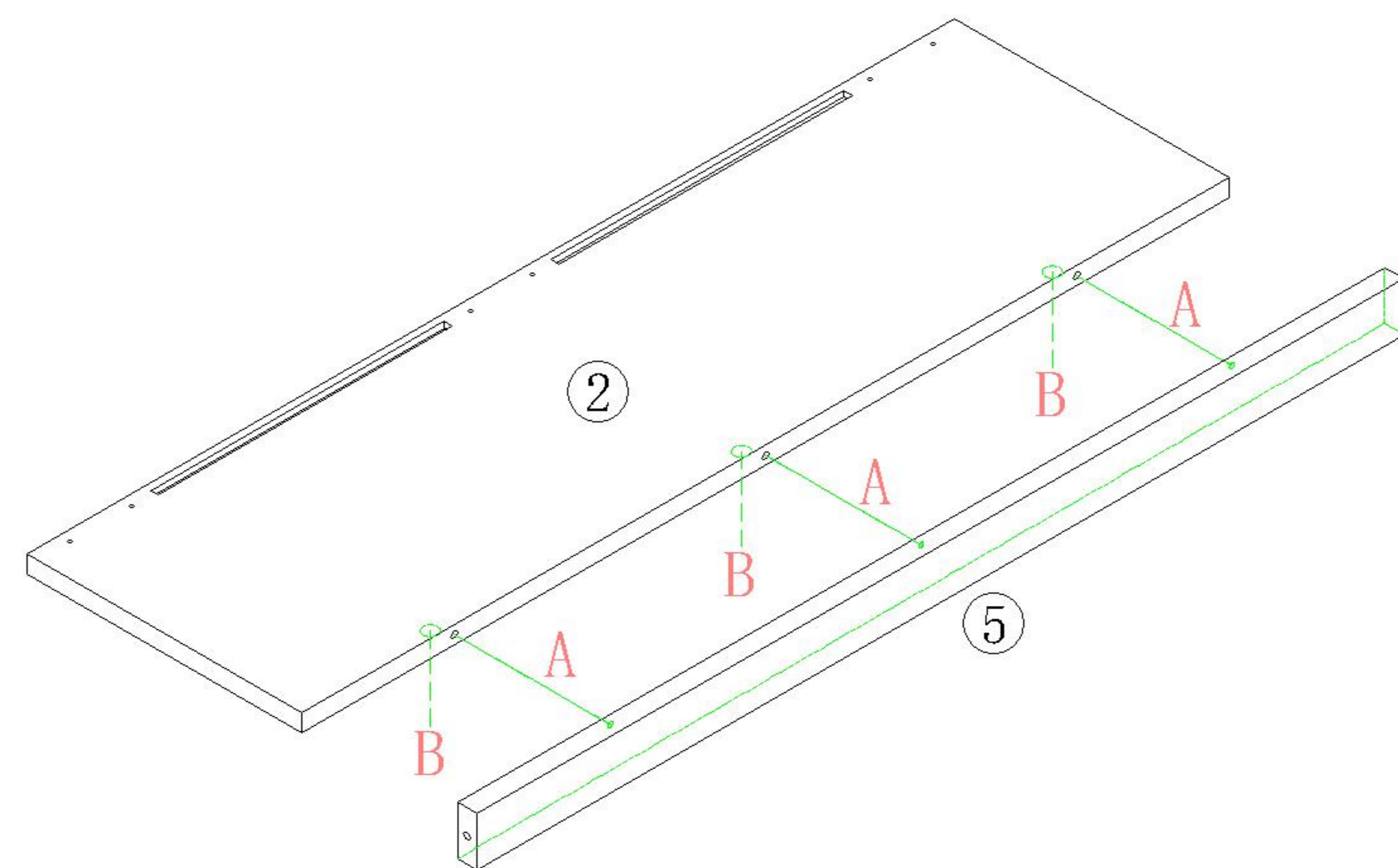
2



(A)*3



(B)*3



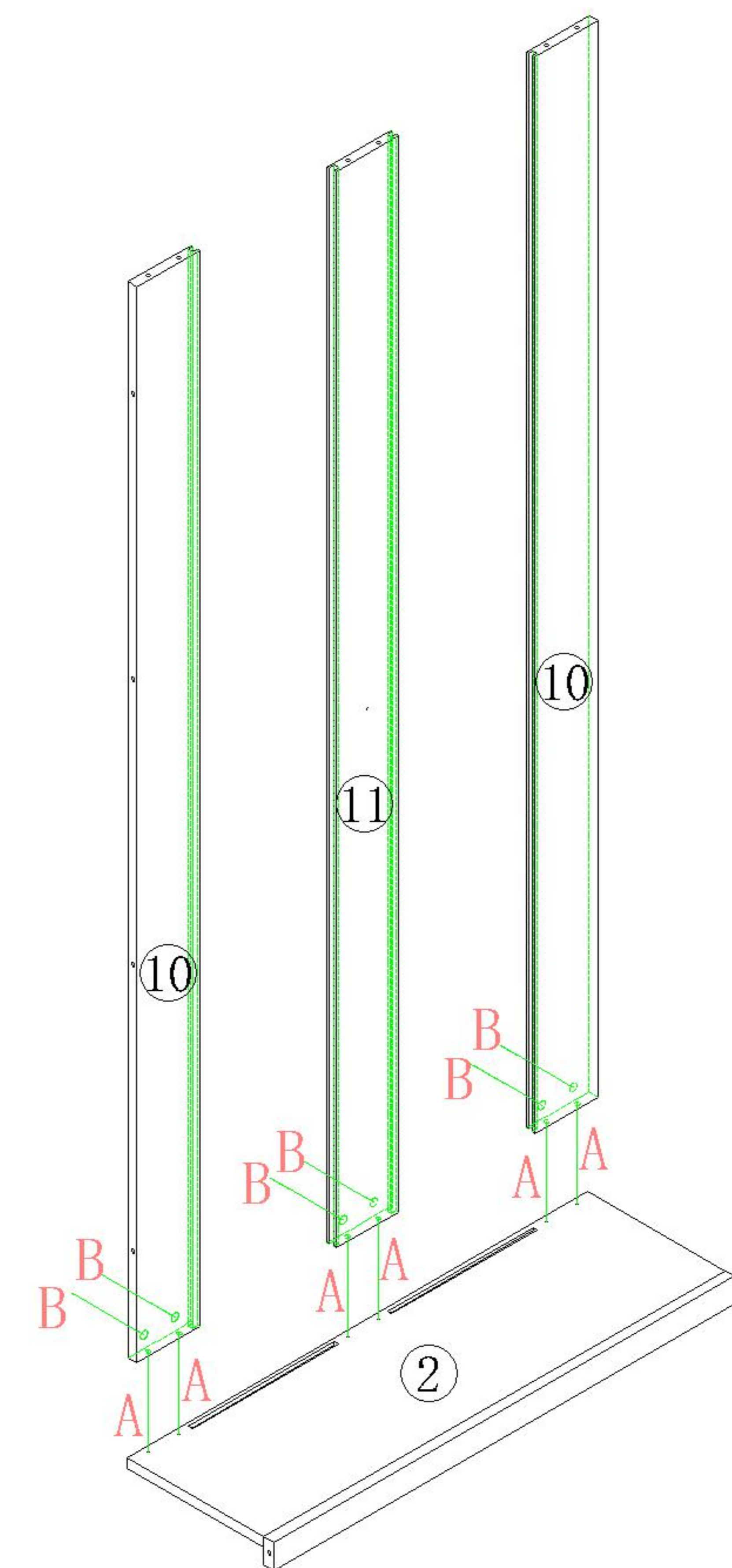
3



(A)*6



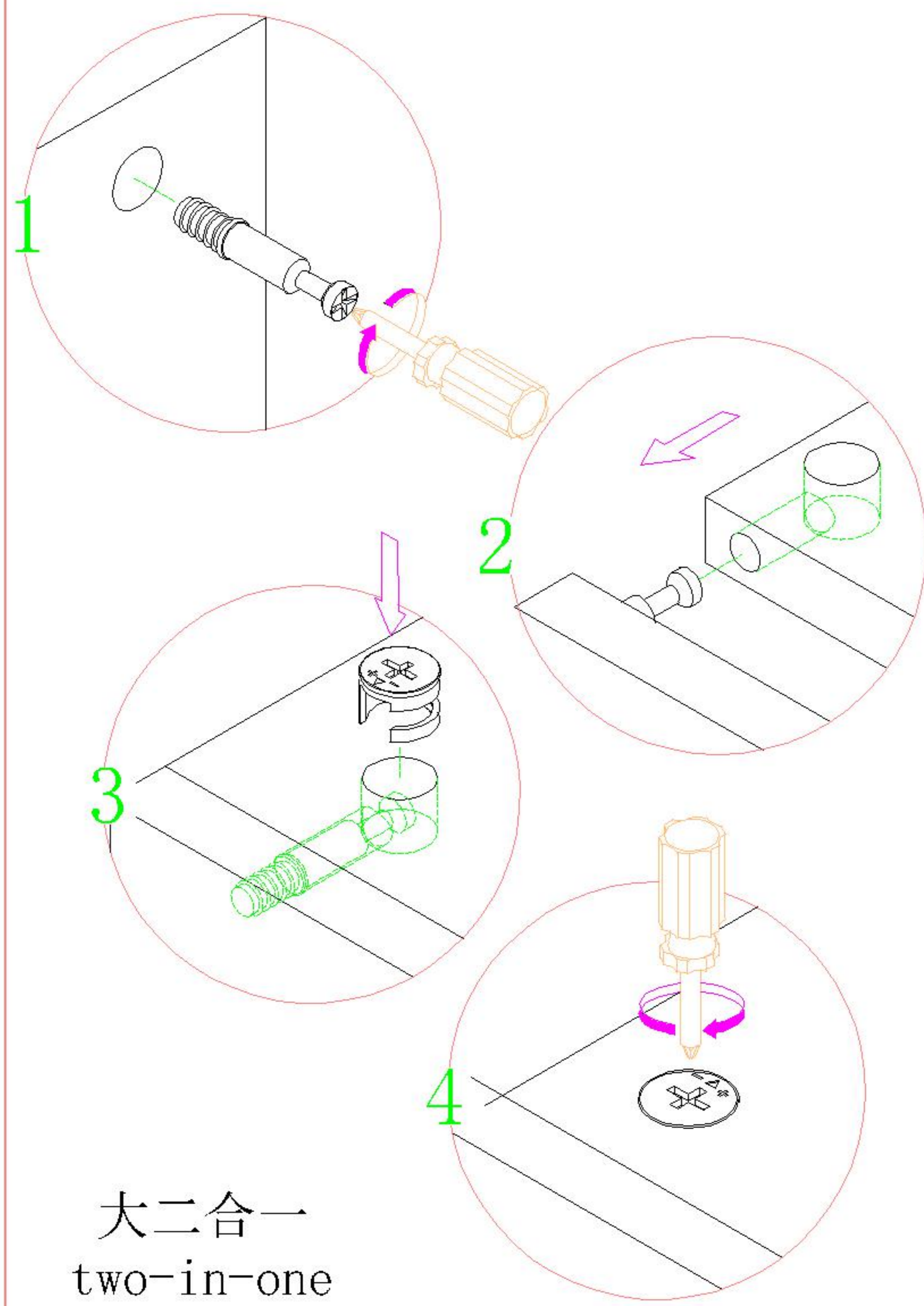
(B)*6



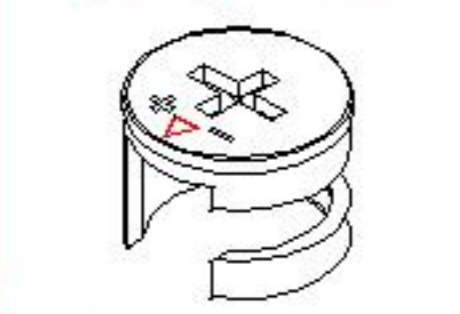
4

PK2X-C (1.0m)

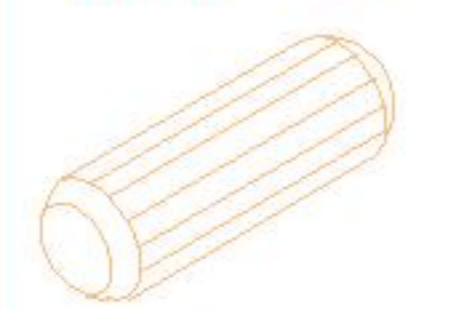
安装方法/
Installation method



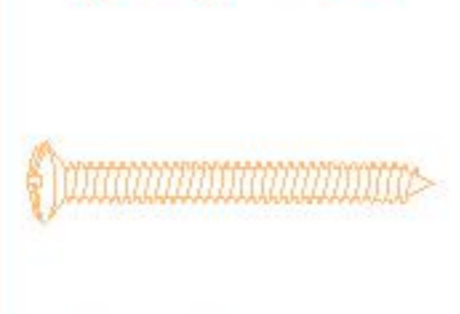
(A)*8



(B)*8



(C)*2



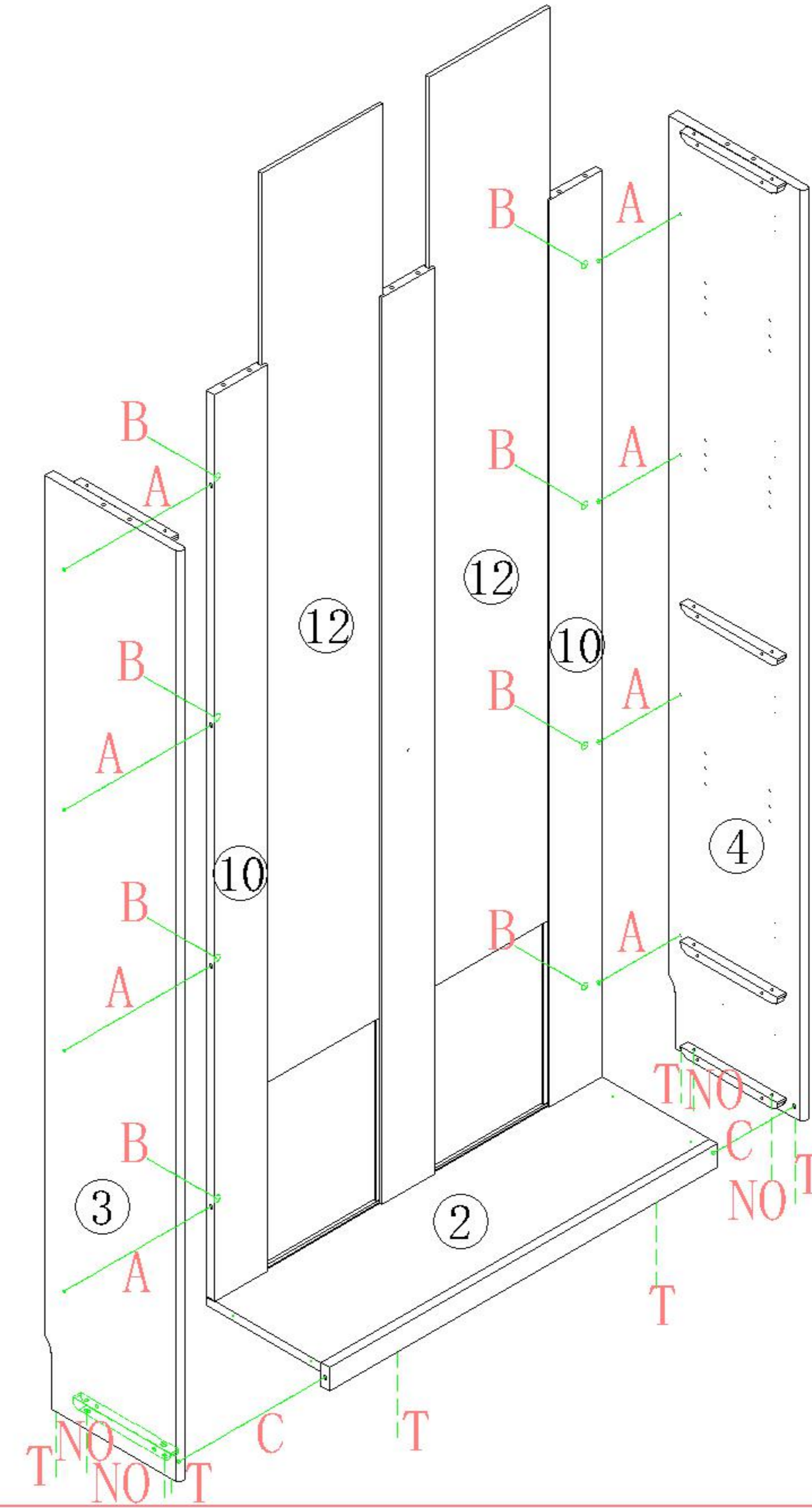
(N)*4



(O)*4



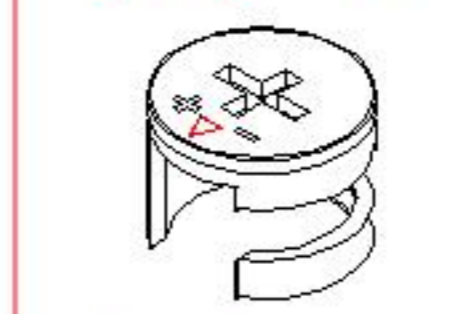
(T)*6



5



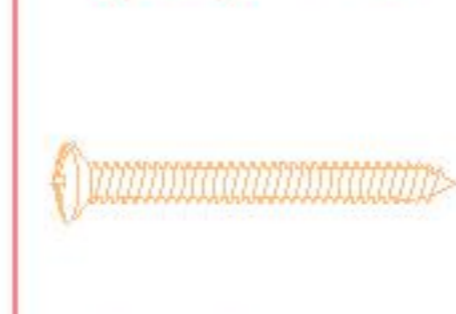
(A)*6



(B)*6



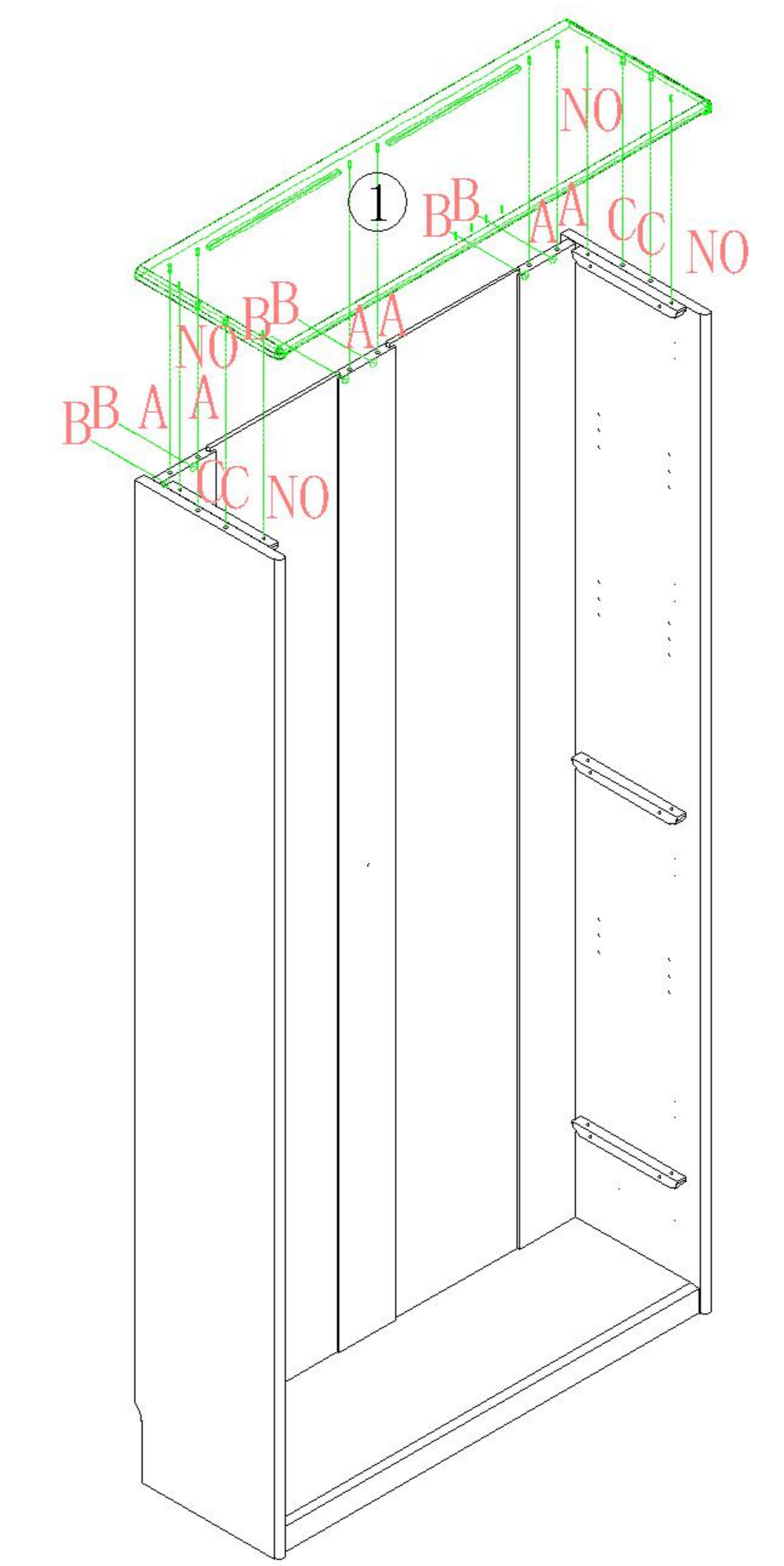
(C)*4



(N)*4



(O)*4



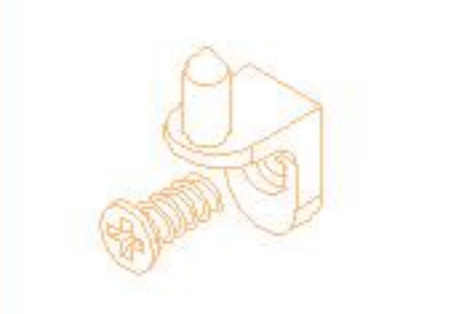
6



(N)*8

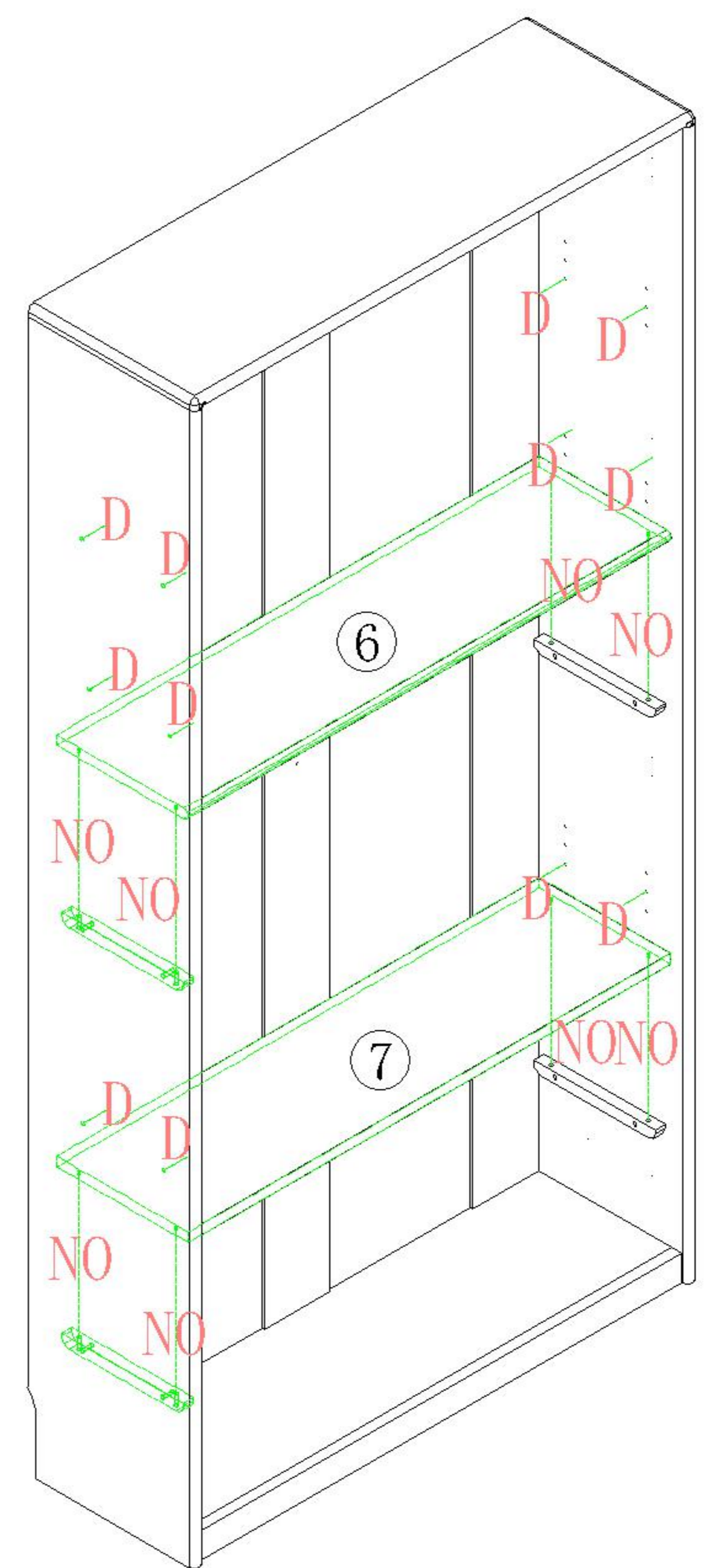


(O)*8

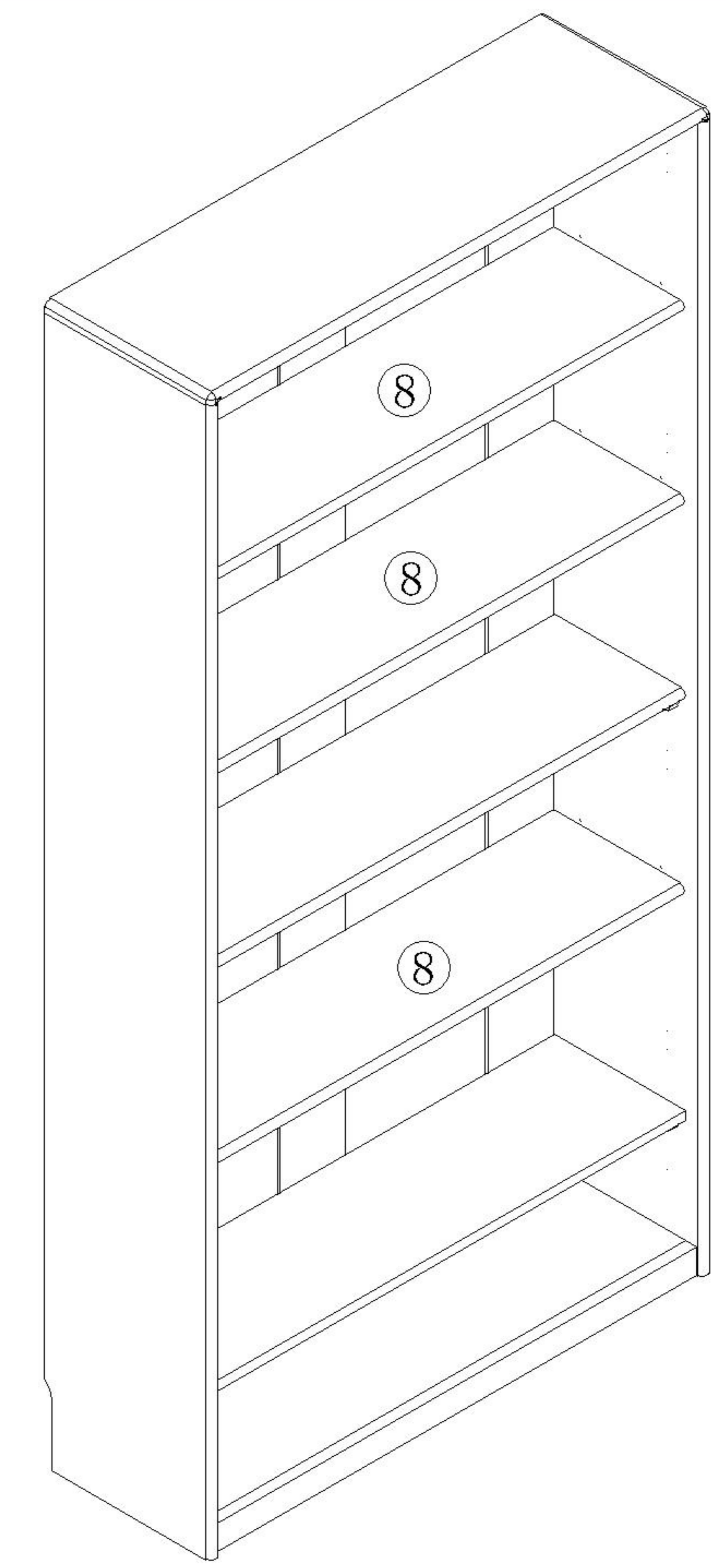
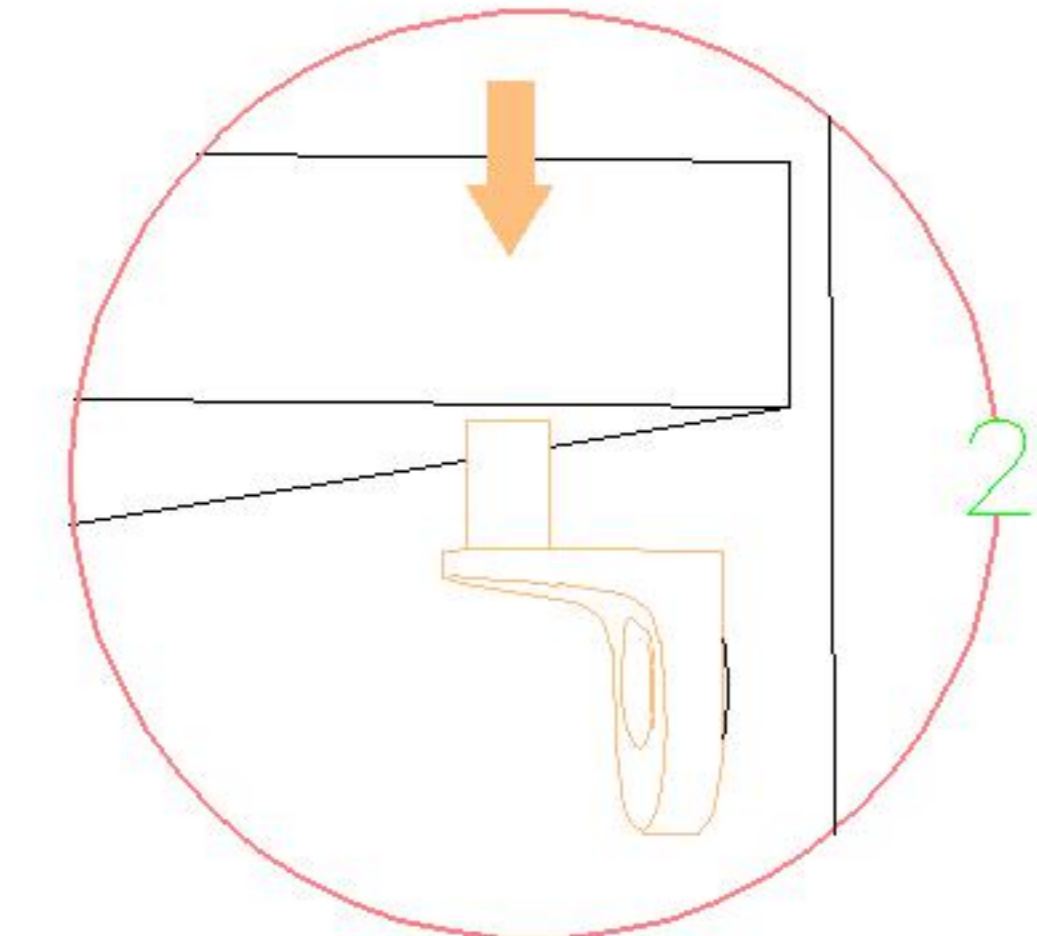
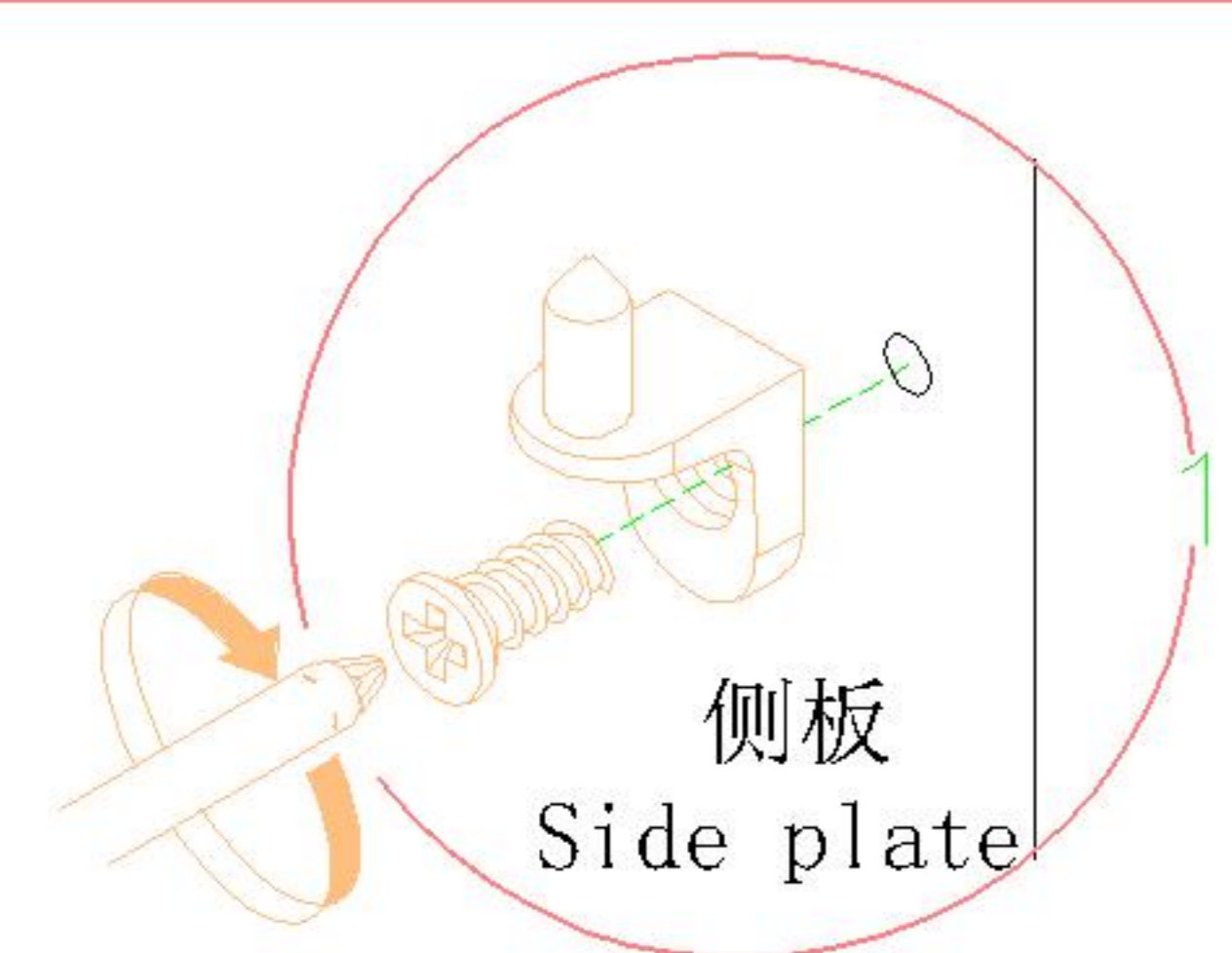


(D)*12

7

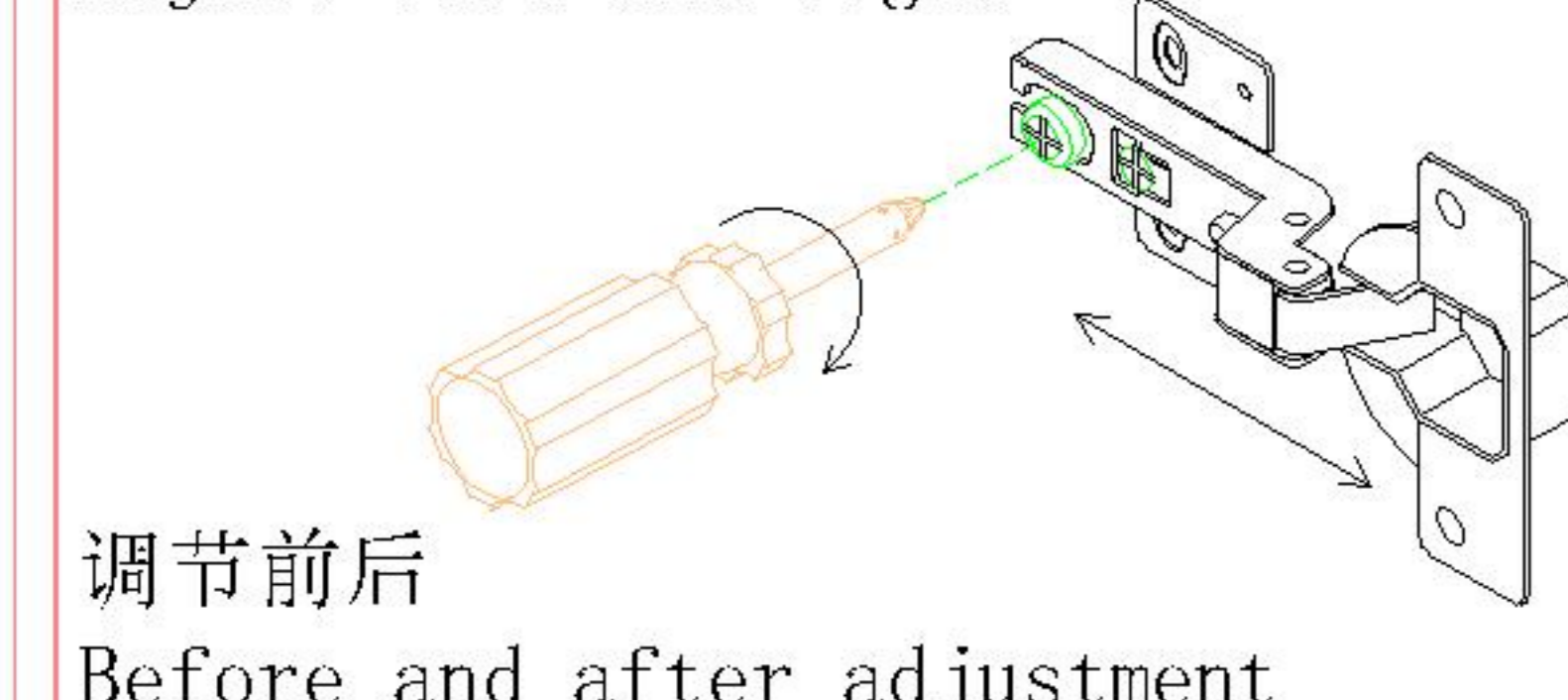
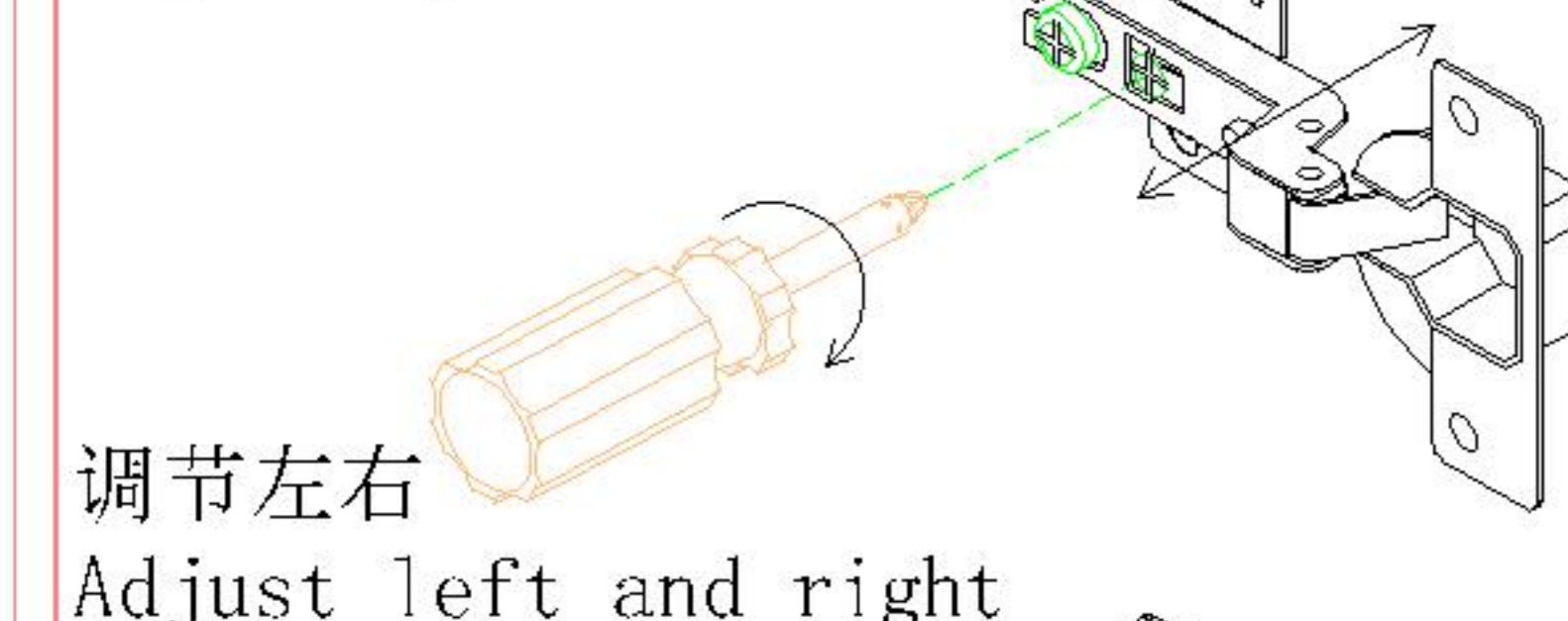
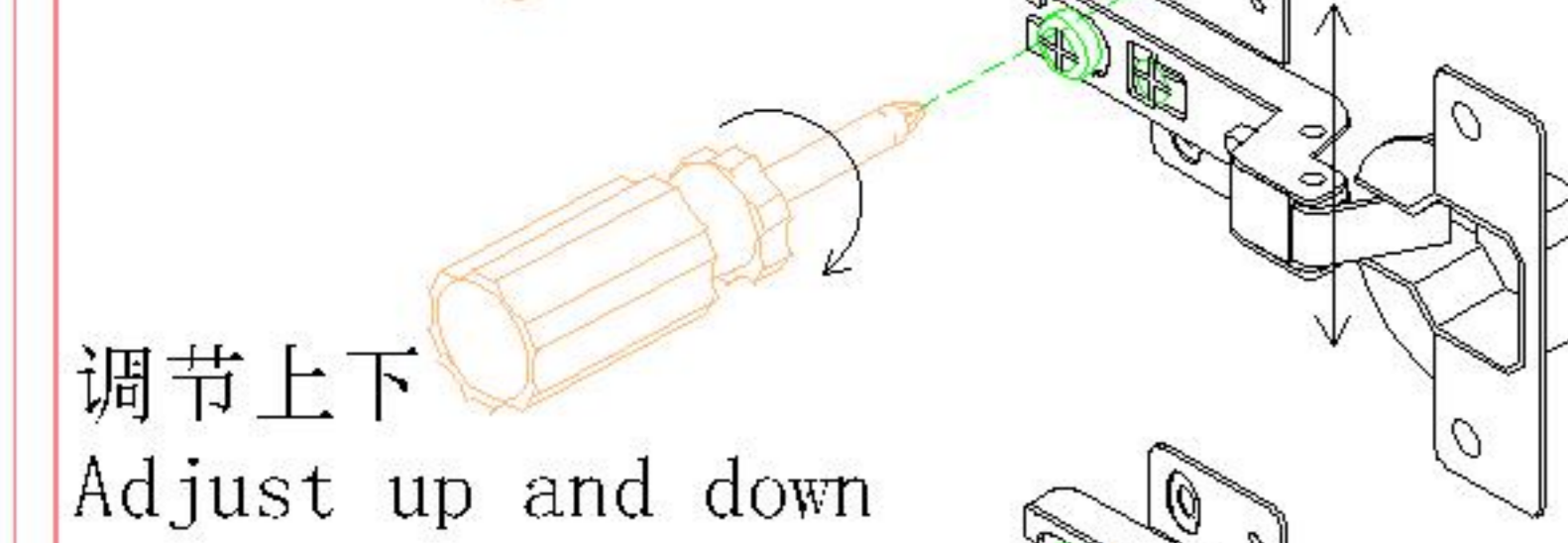
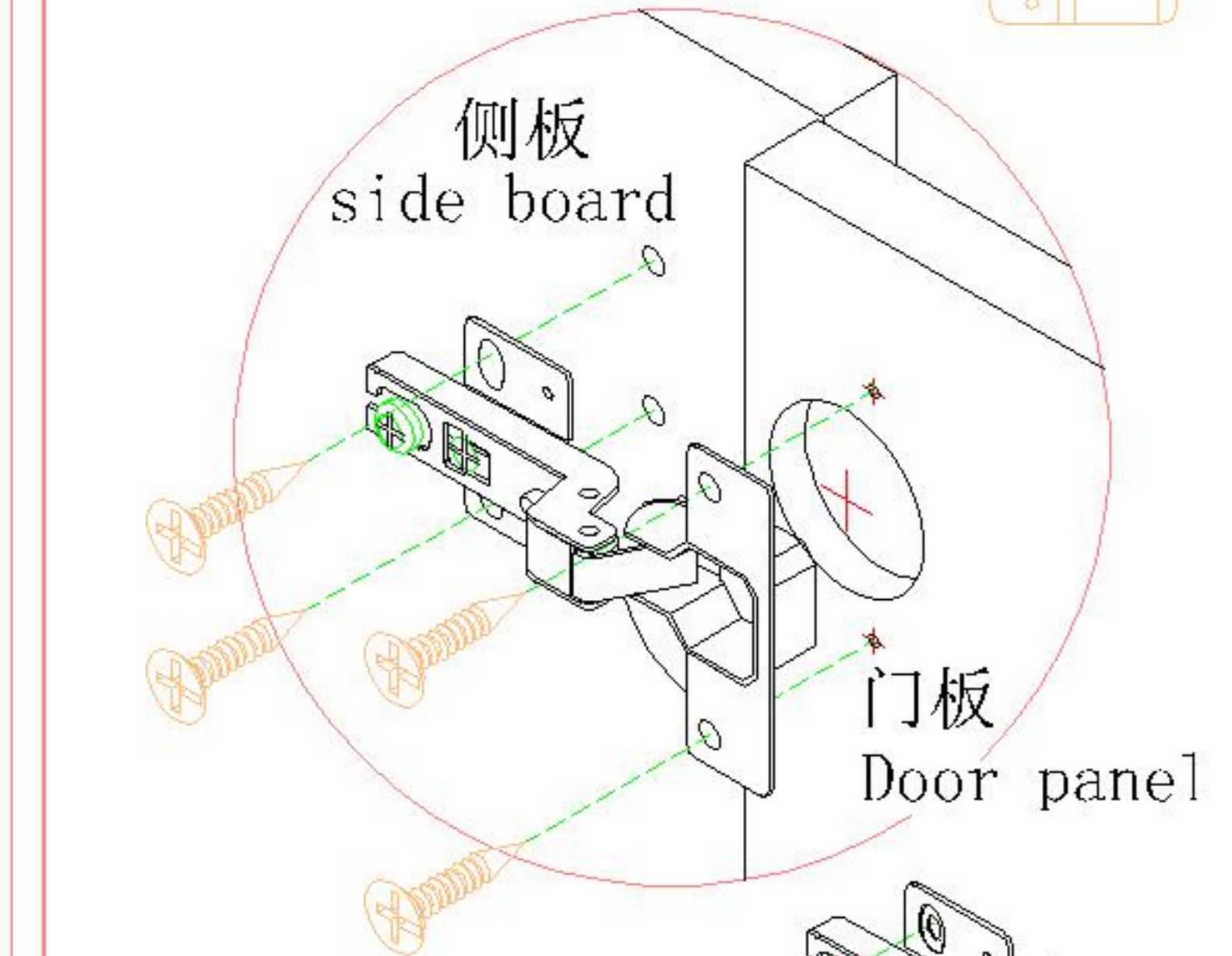
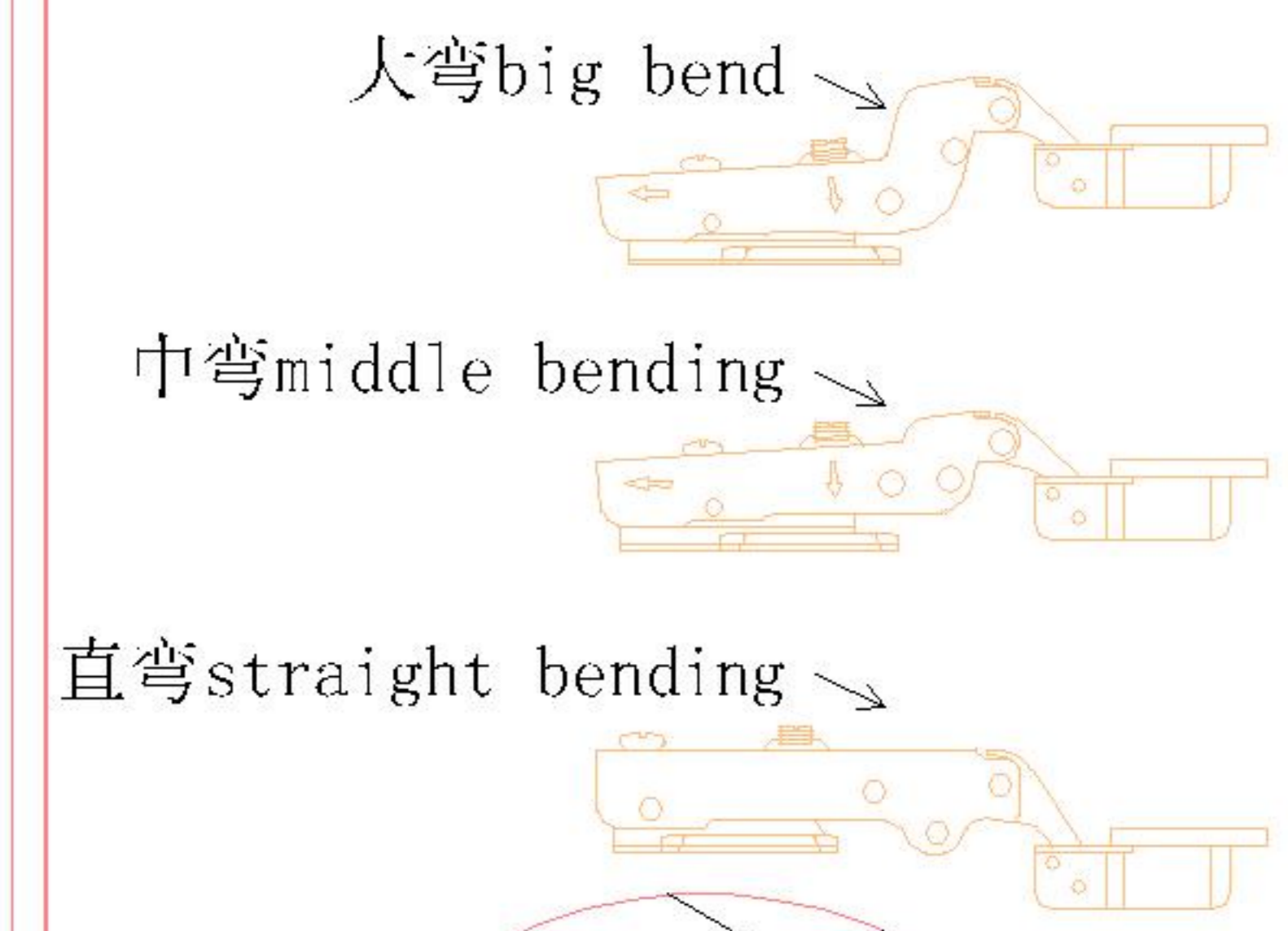


8

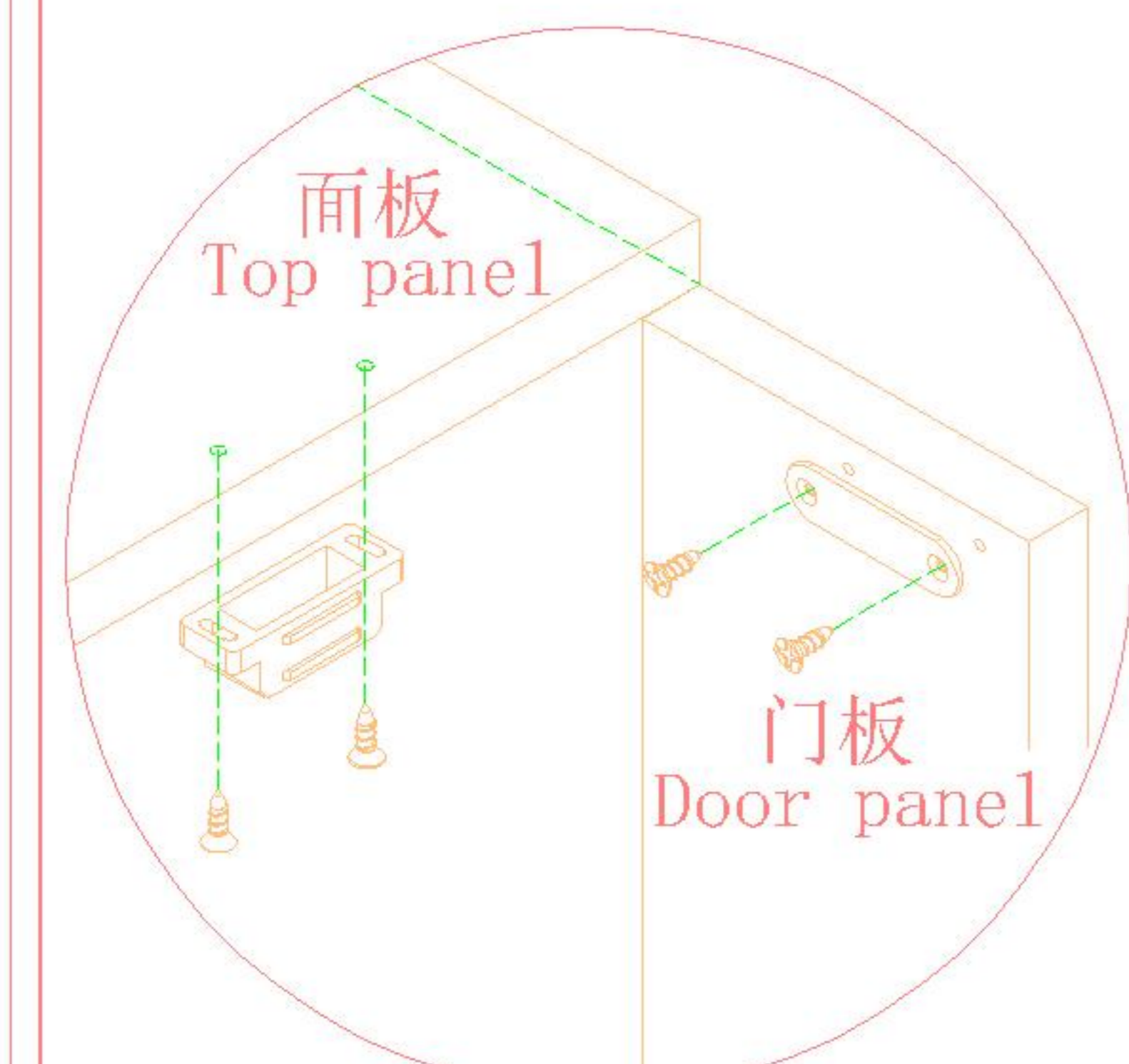


PK2X-C(1.0m)

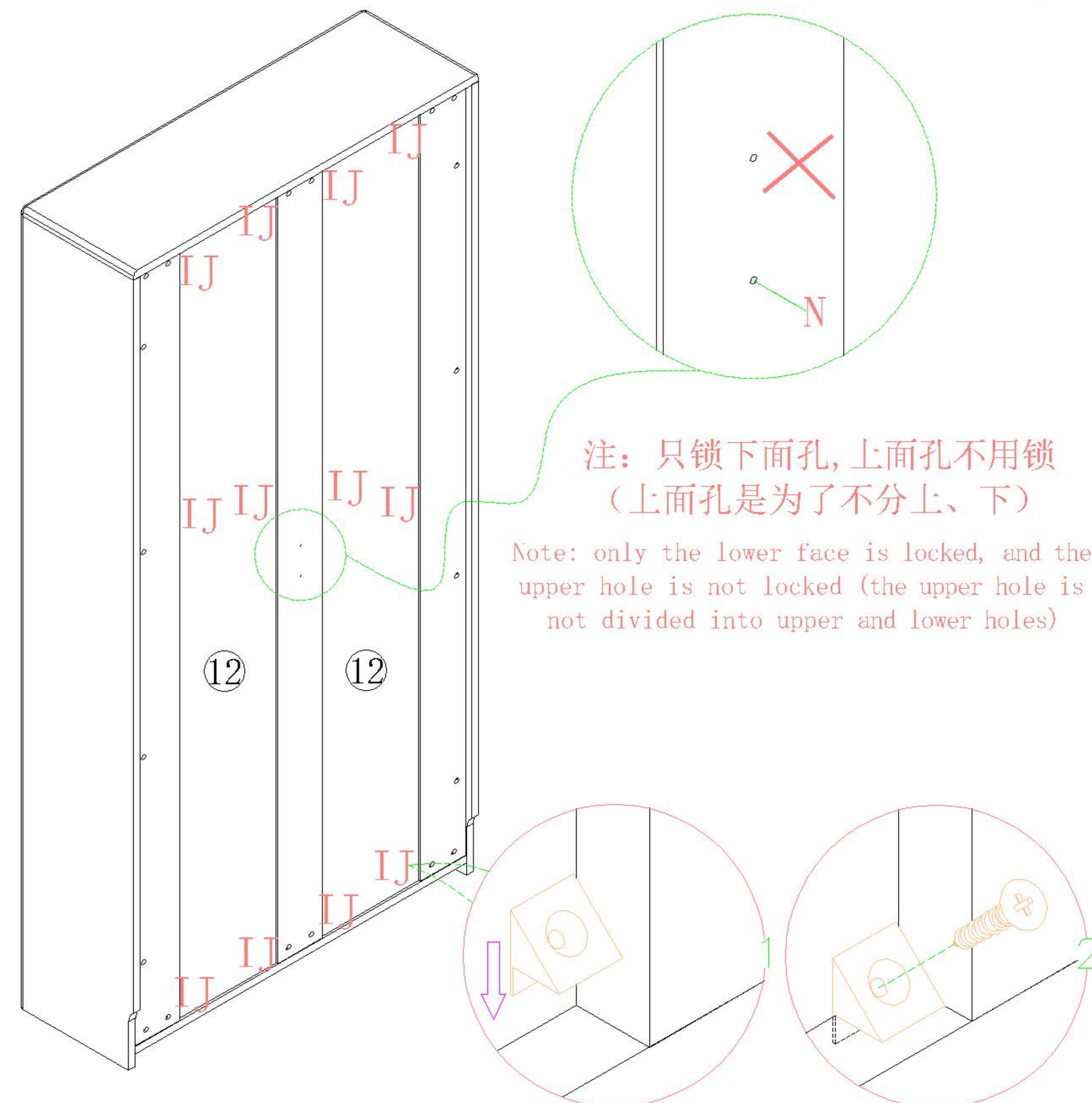
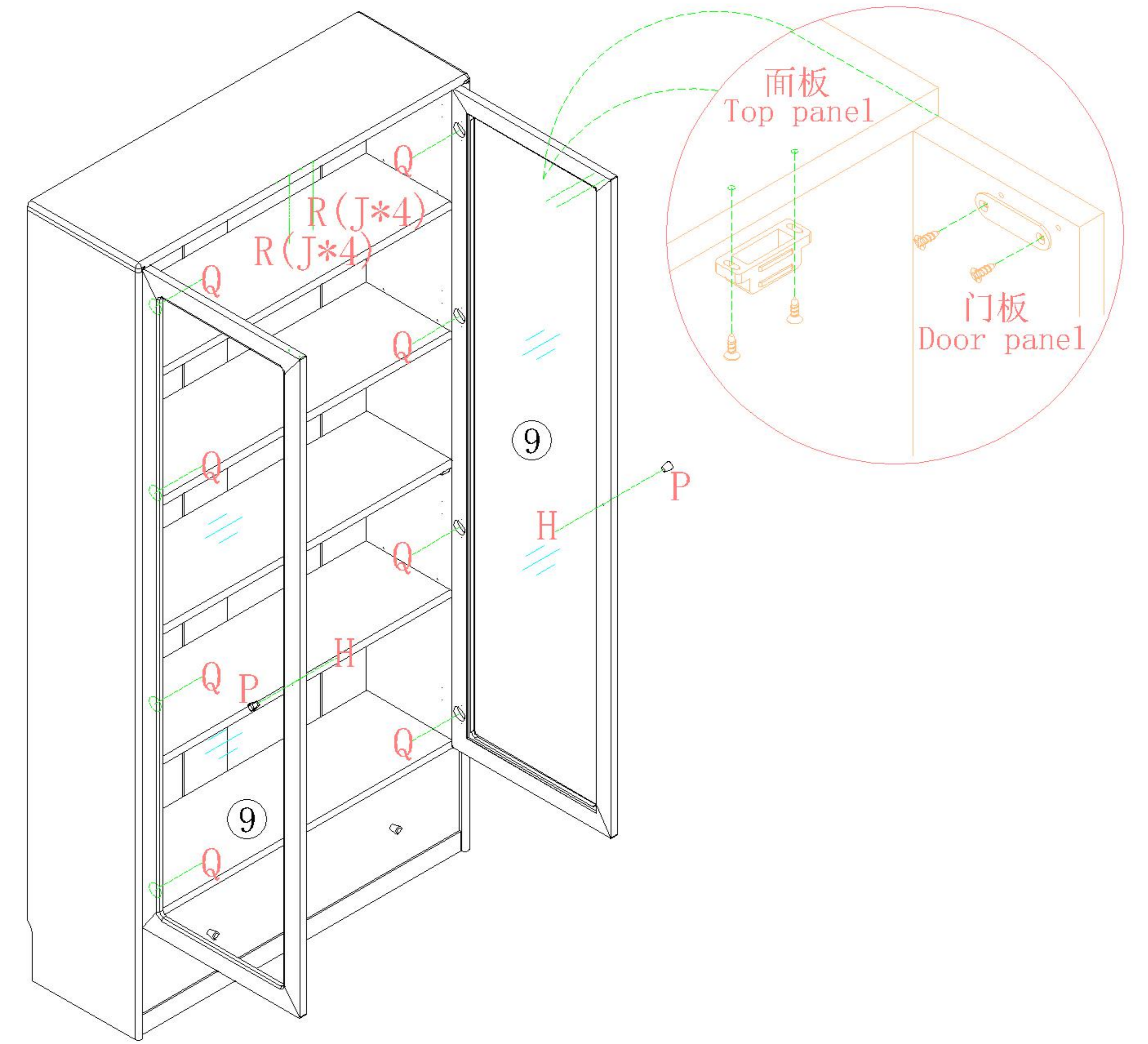
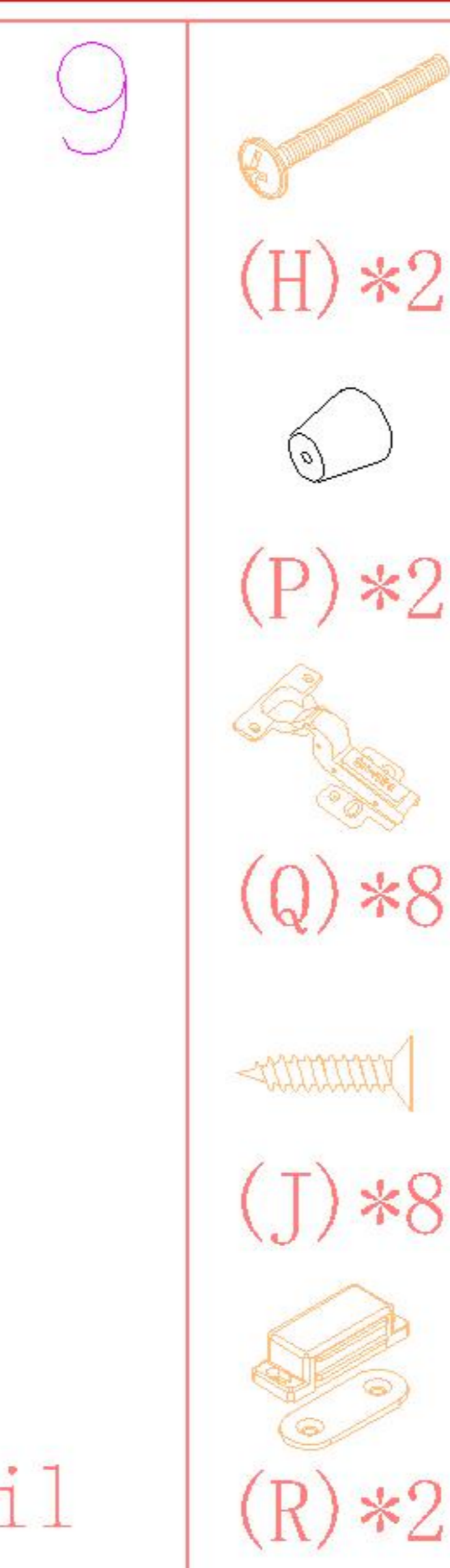
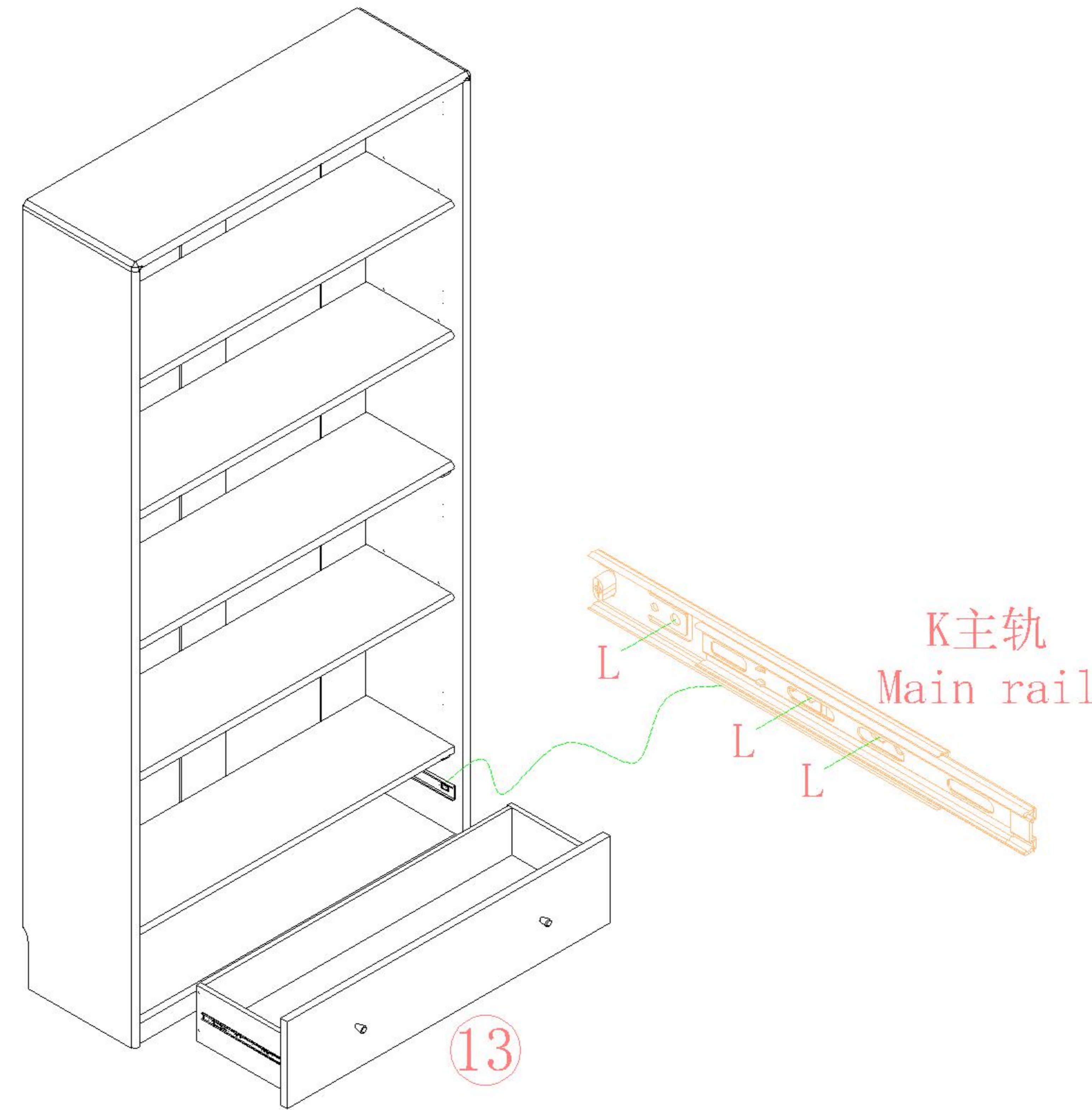
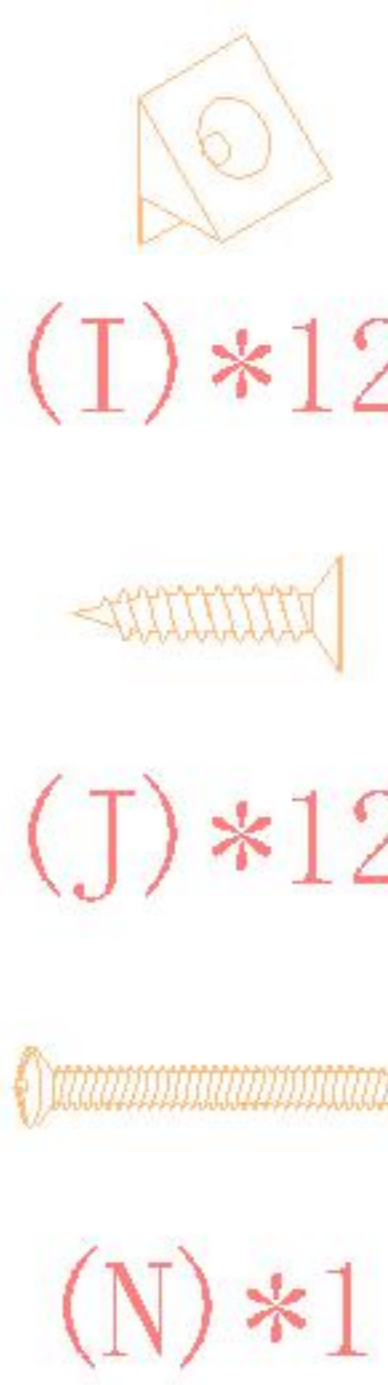
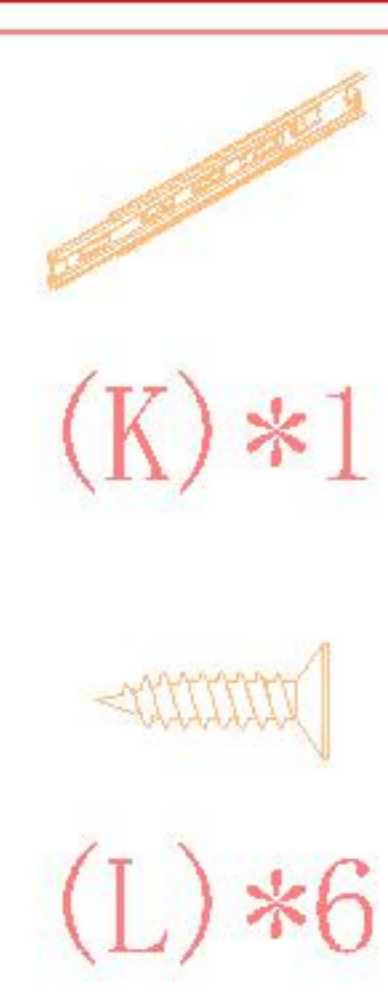
安装方法 Installation method



门铰Hinge



磁碰 magnetic catch



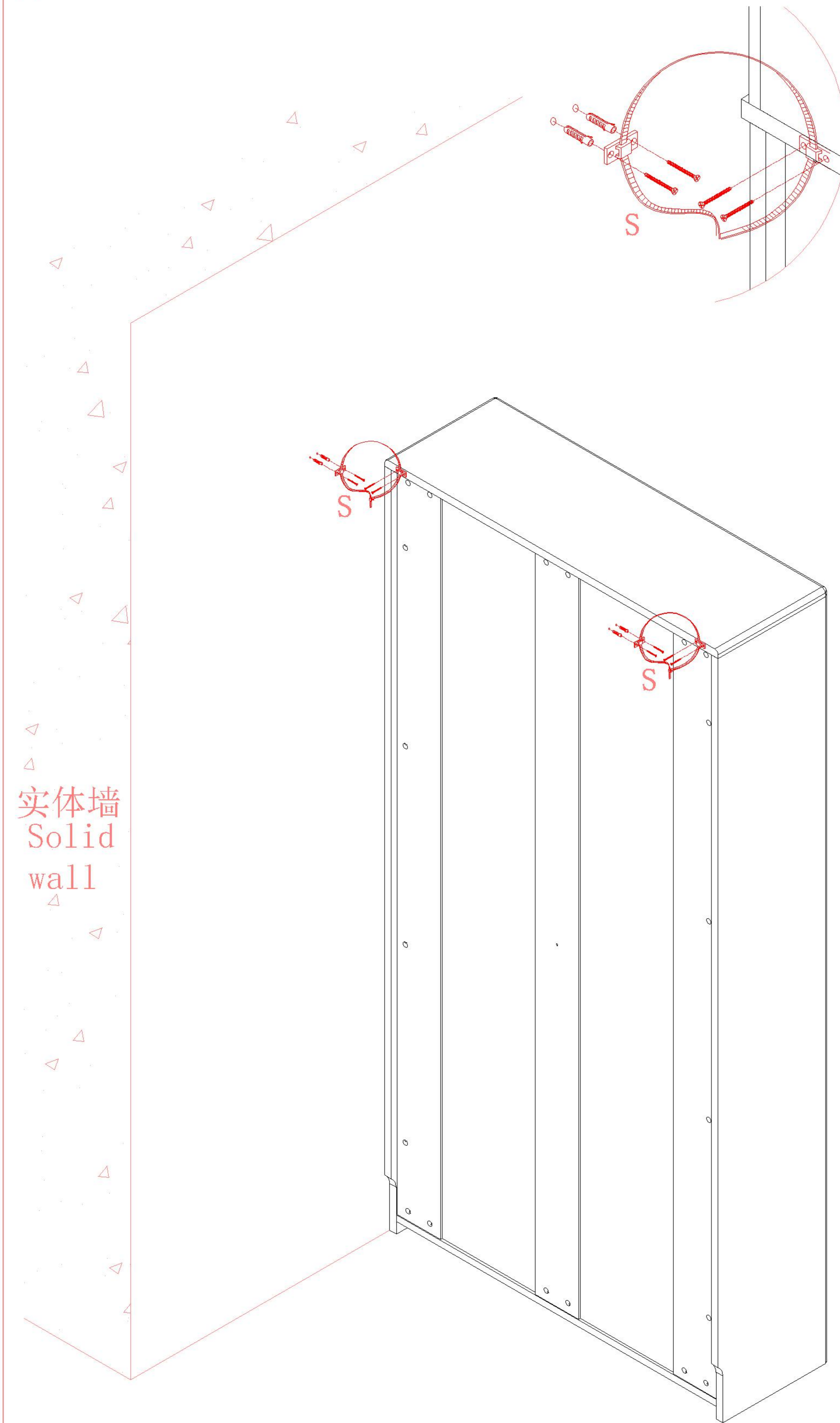
11



12

安装方法
Installation method

(S)*2



实体墙
Solid
wall

