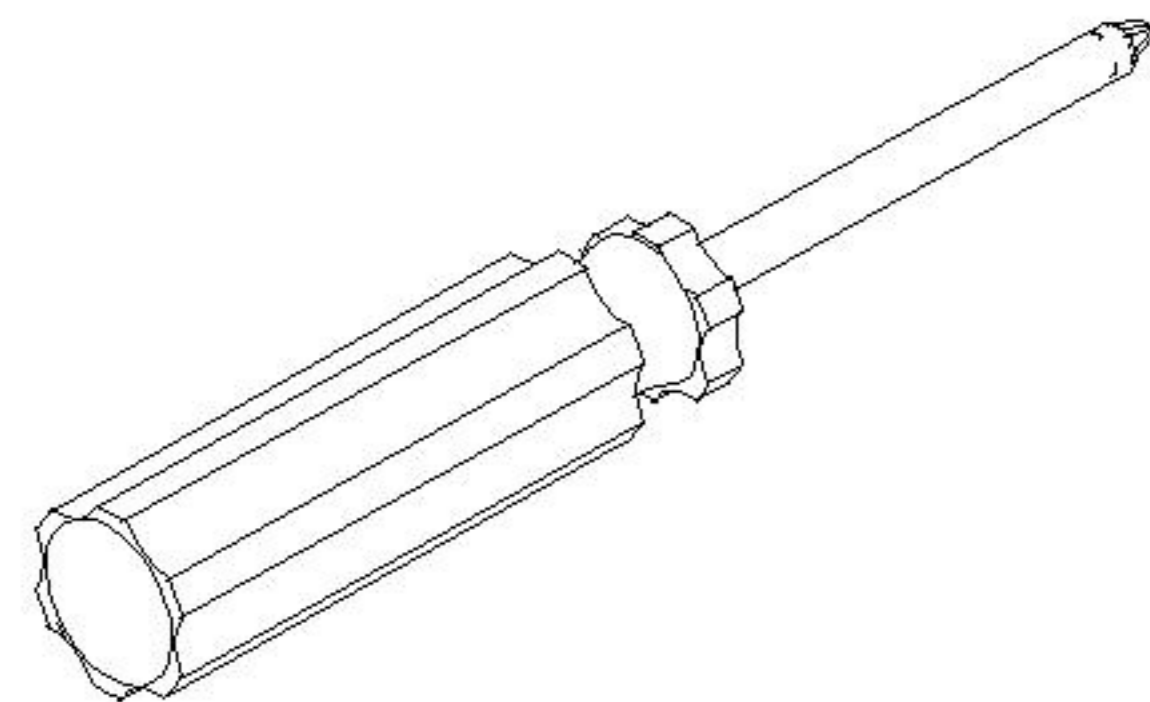
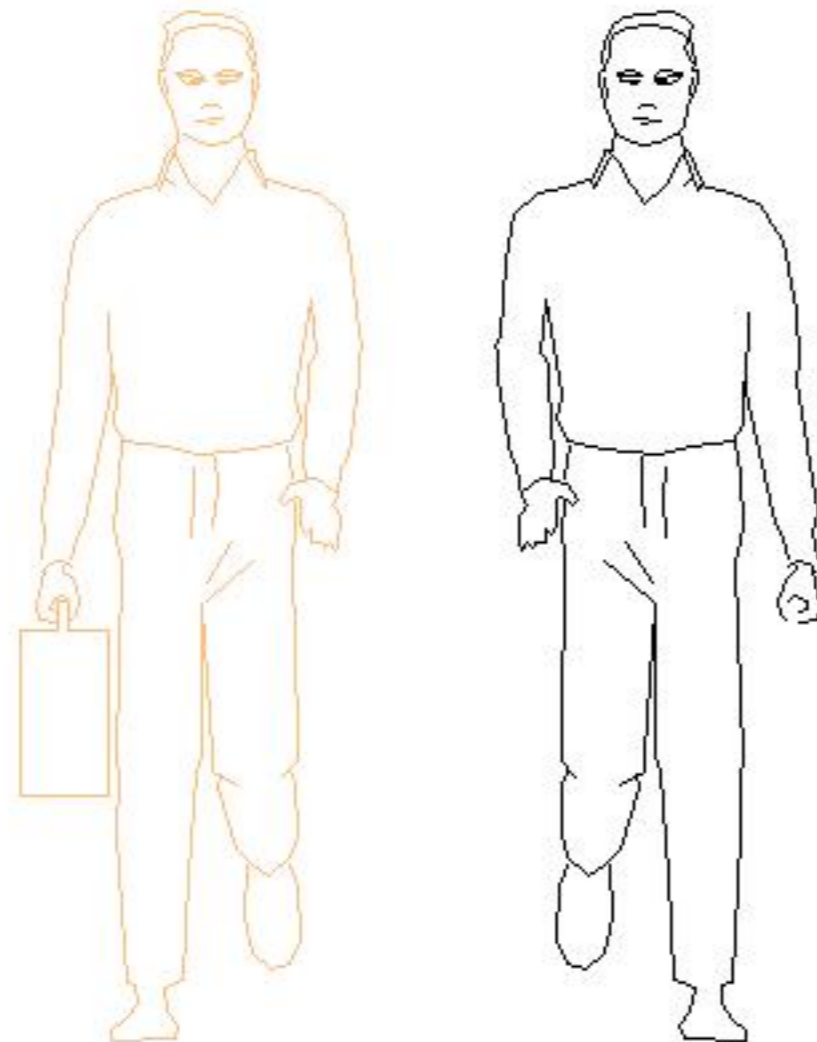
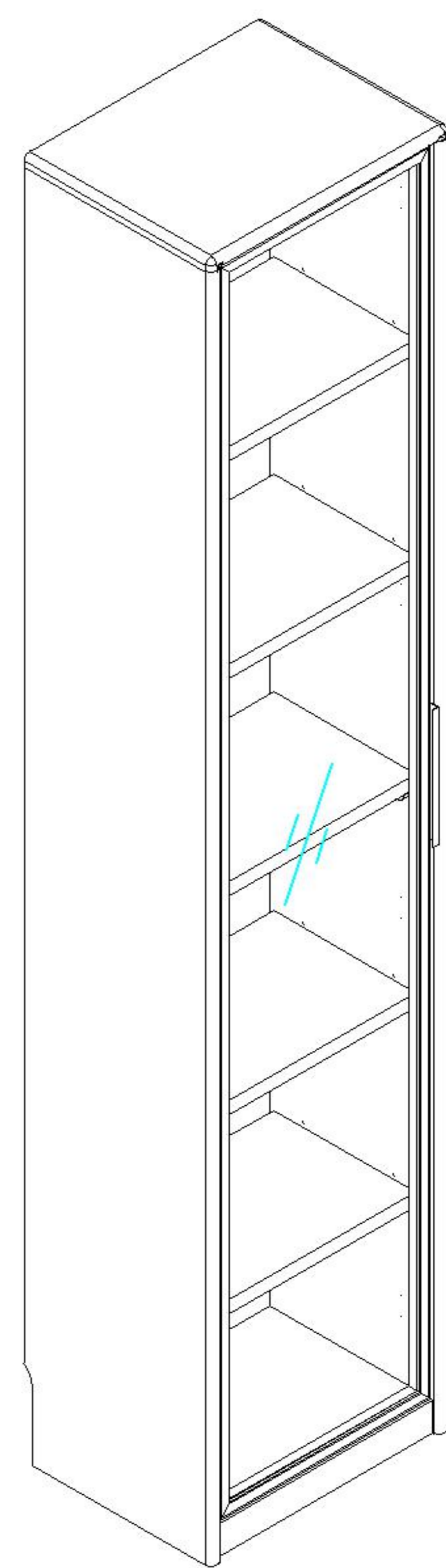
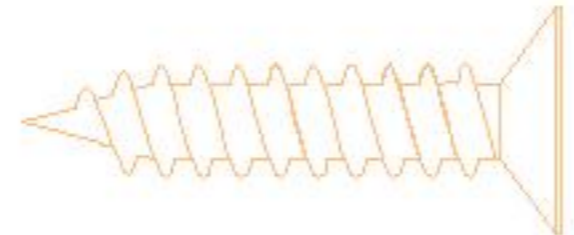


安装示意图/Assembly Instruction

产品名称 Model NO.	PK1X-C(0.4m)
产品规格 Specification	423*336*2001mm
安装工具 Tool	安装人数 Installer
	

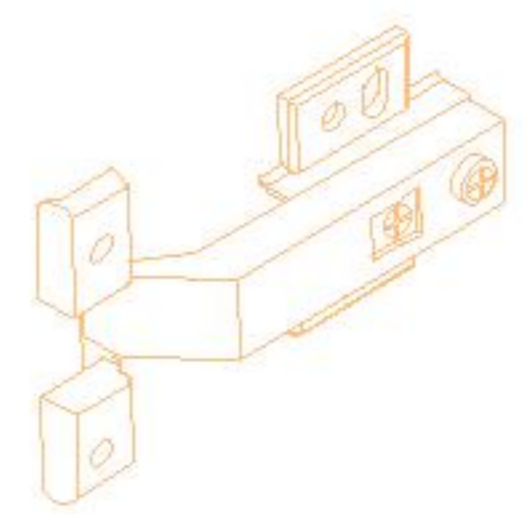


 (A)*1 二合一螺杆 2-in-1-screw	 (B)*1 大三合一锁饼 Three-in-one large lock	 (C)*6 木榫-∅8*30 Wood tenon	 (D)*16 层板托 Shelf support
 (E)*13 大扁白攻M4*30mm Flat head tapping screw	 (F)*13 垫片-M5 Shim	 (G)*2 家具防倒器-白色 Anti-fall device	 (H)*6 灰色毛毡垫 Foot pad
 (I)*6 背板扣 White buckle	 (J)*6 白攻螺丝M3.5*16mm Tapping screw		

编号NO.	名称Name	规格 (mm) Specification	数量QTY	材质Material
①	面板 Top panel	423*330*18	1	实木 wood
②	底板 Bottom board	383*283*18	1	实木 wood
③	左侧板组立 Side board assembly(L)	1980*330*40	1	实木 wood
④	右侧板组立 Side board assembly(R)	1980*330*40	1	实木 wood
⑤	前拉条 Front brace	383*50*20	1	实木 wood
⑥	固定层板 Fixed shelf	383*260*18	1	实木 wood
⑦	活动层板 Movable shelf	382*260*18	4	实木 wood
⑧	背板 Back board	1942*393*8	1	实木 wood
⑨	五金门 Hardware door	1924*378*38	1	铝合金+玻璃 aluminium alloy+Glass

铝合金门框内自带五金

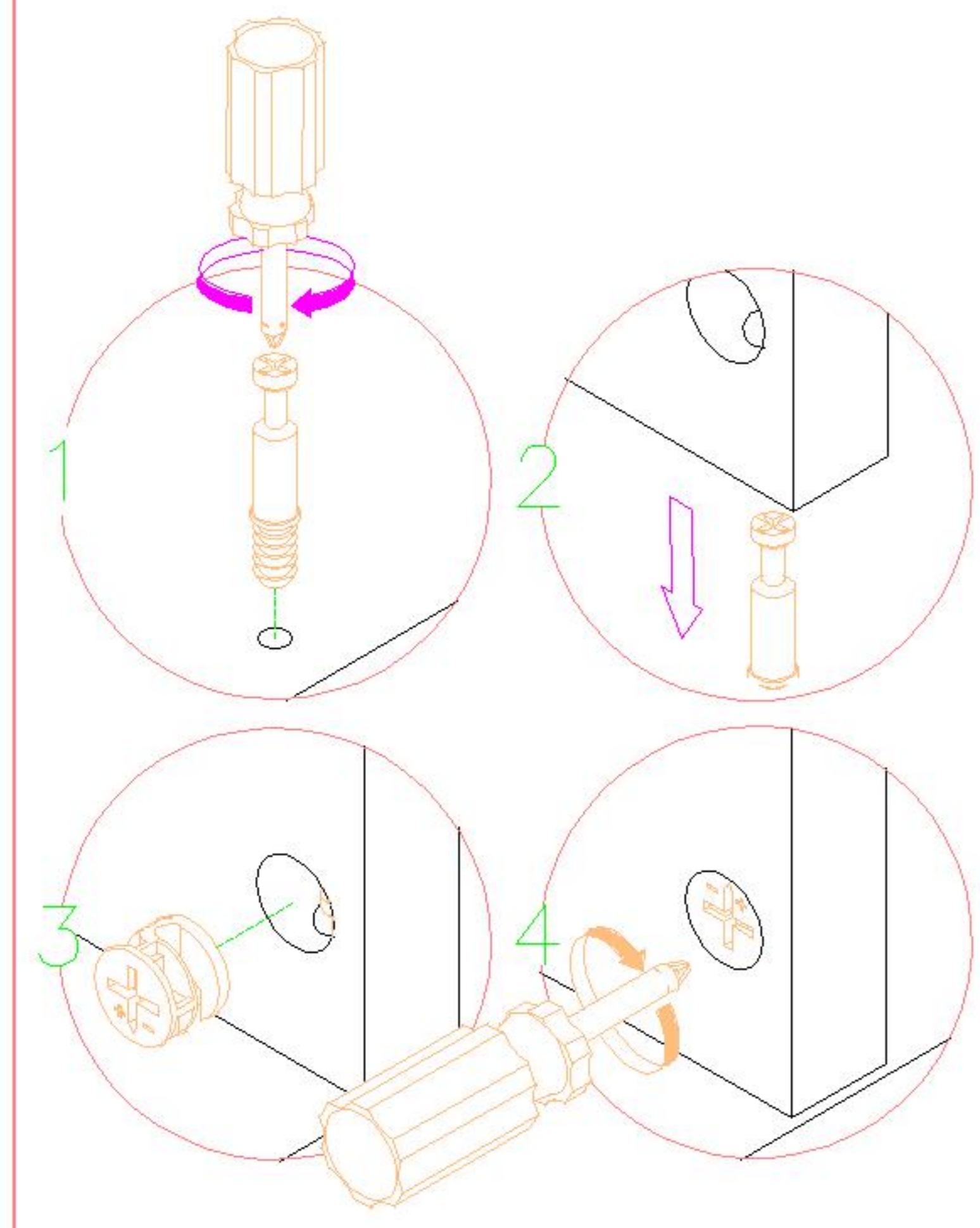
Aluminum alloy door frame with hardware

 (M)*4 大弯铝框门铰 Large bend aluminum frame door hinge
--

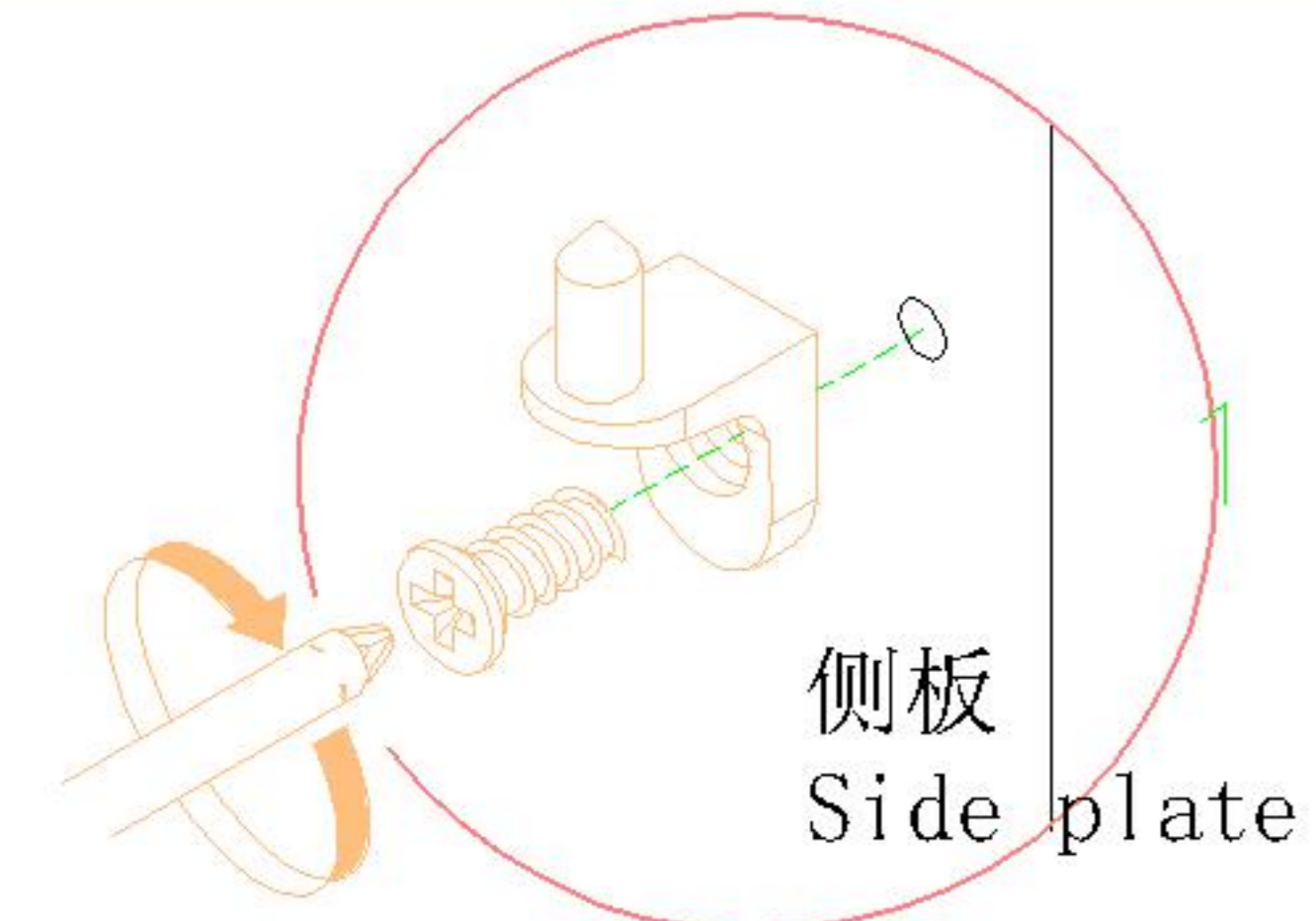
PK1X-C(0.4m)

安装方法

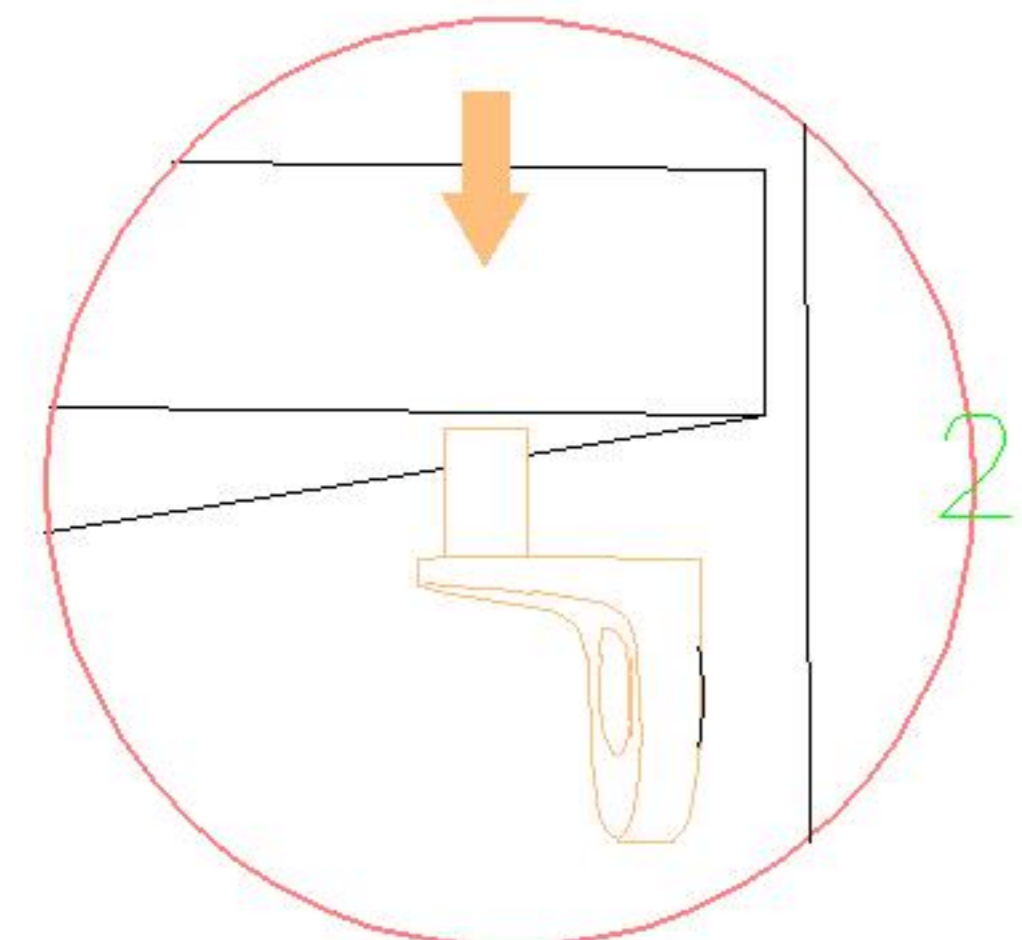
Installation method



大二合一 two-in-one



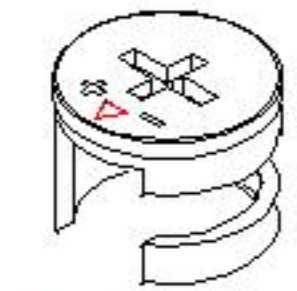
侧板
Side plate



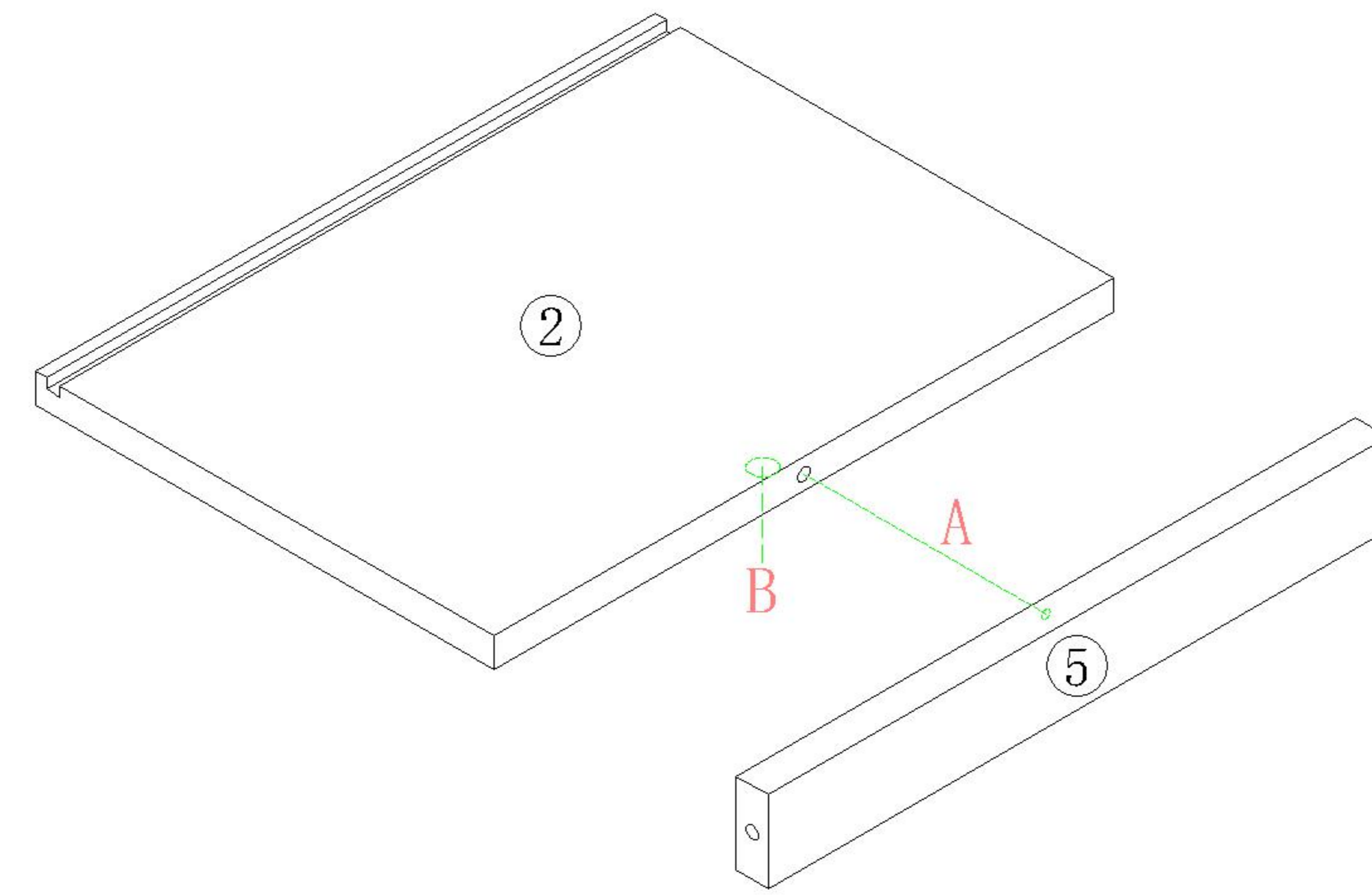
层板托5mm
shelf support



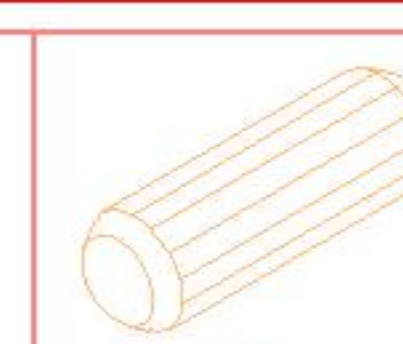
(A)*1



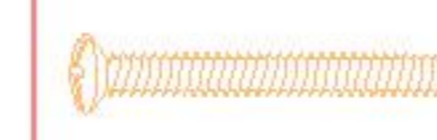
(B)*1



1



(C)*2



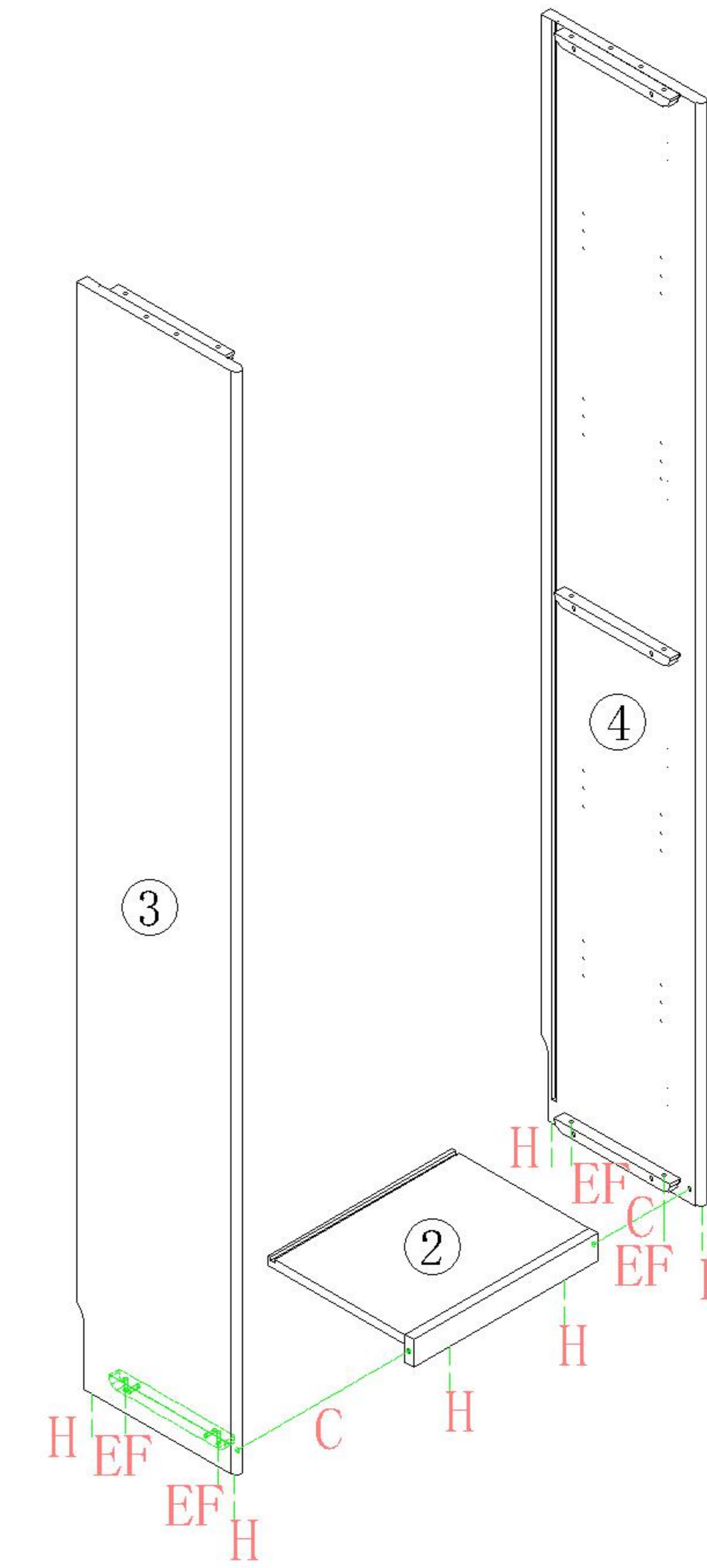
(E)*4



(F)*4



(H)*6



2

3



(C)*4



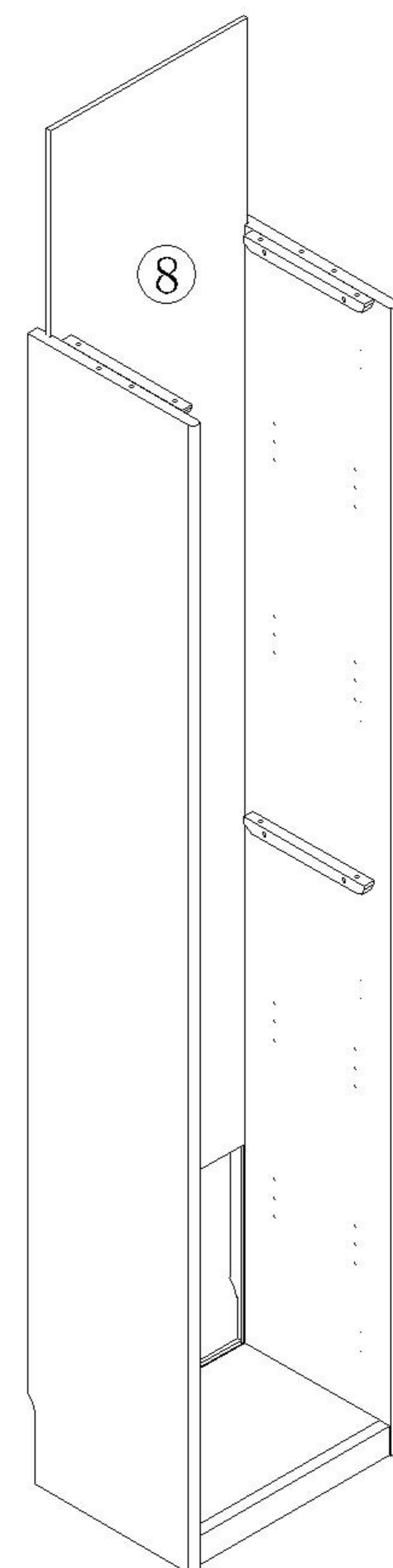
(D)*16



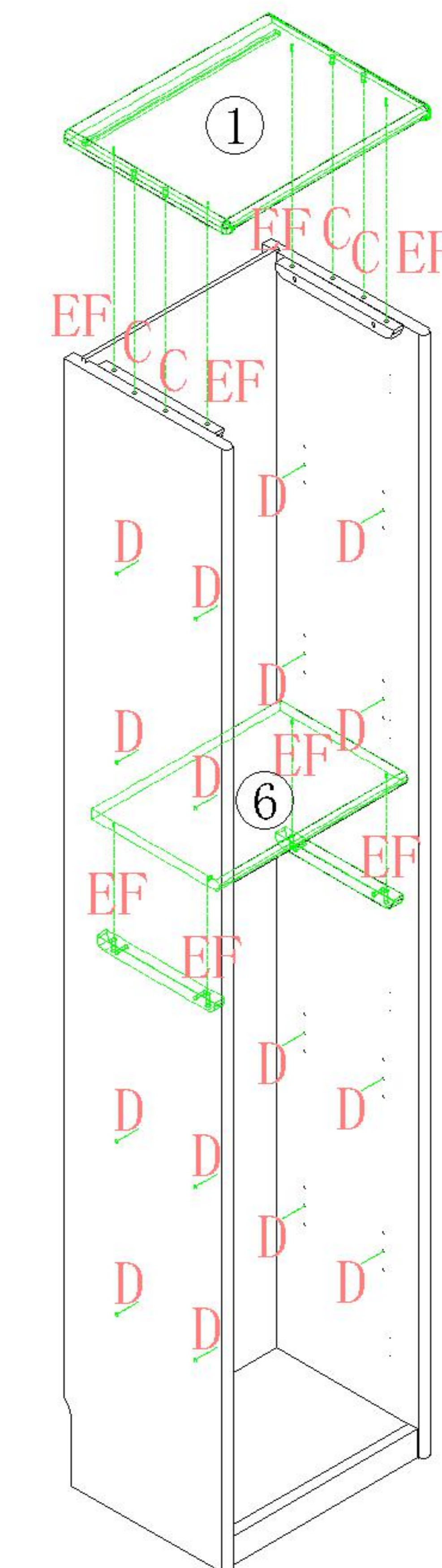
(E)*8



(F)*8



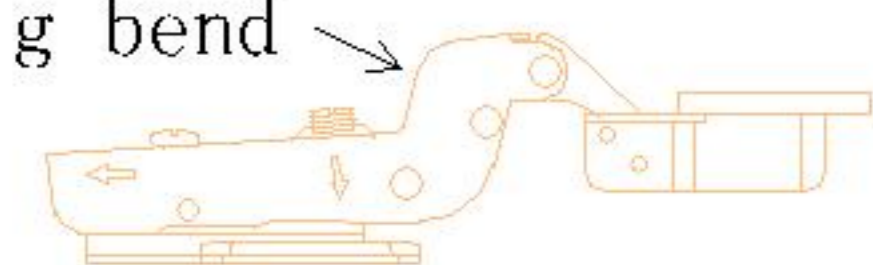
4



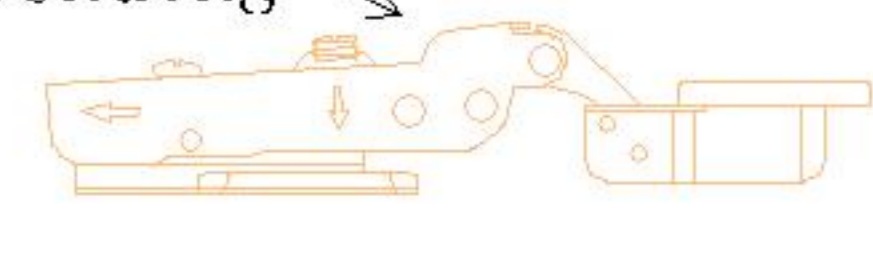
PK1X-C(0.4m)

安装方法 Installation method

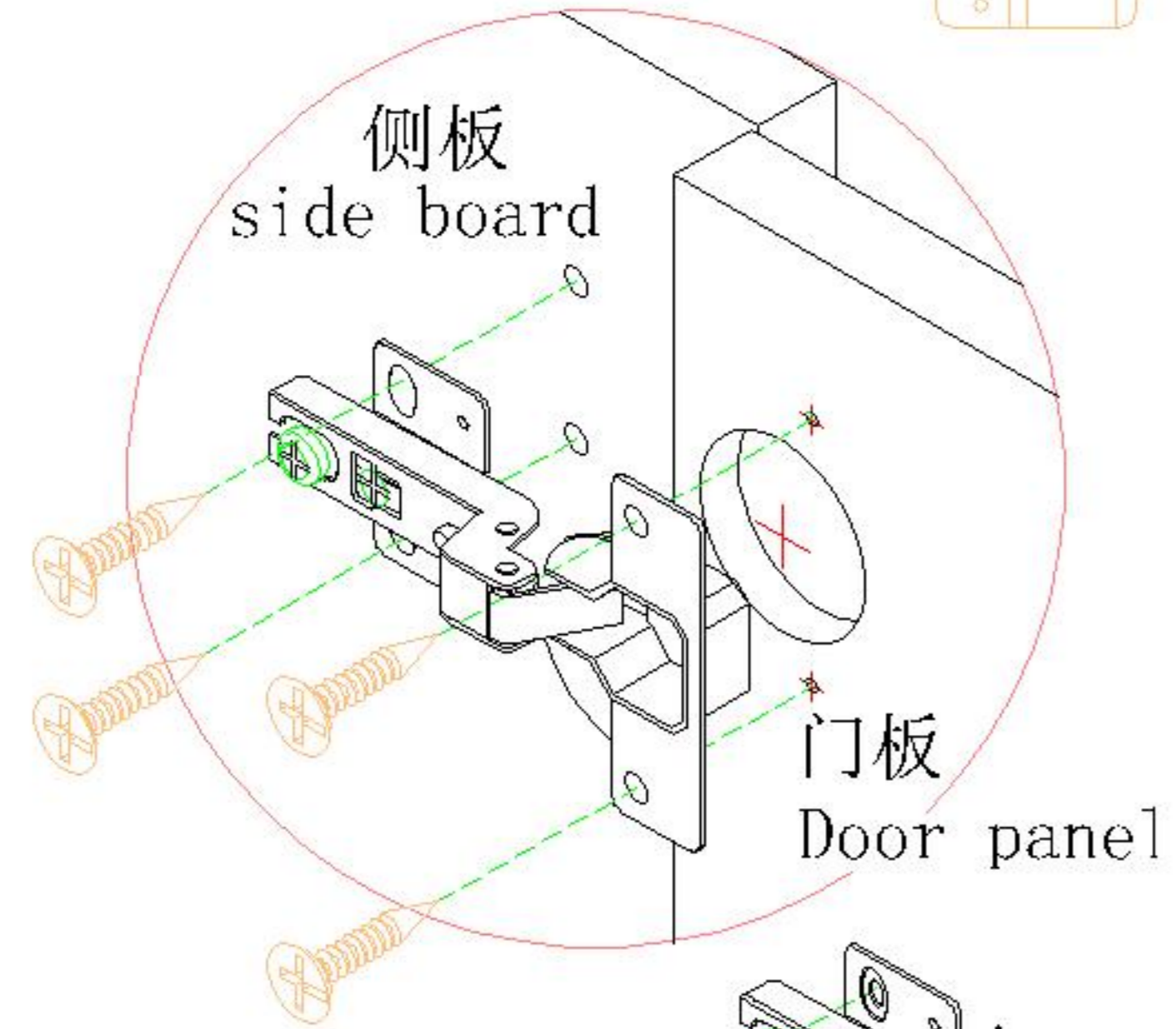
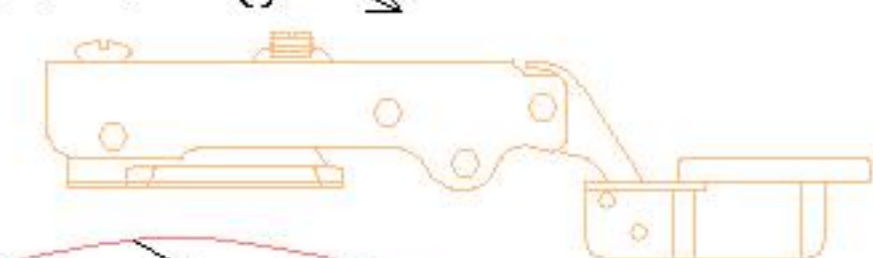
大弯big bend



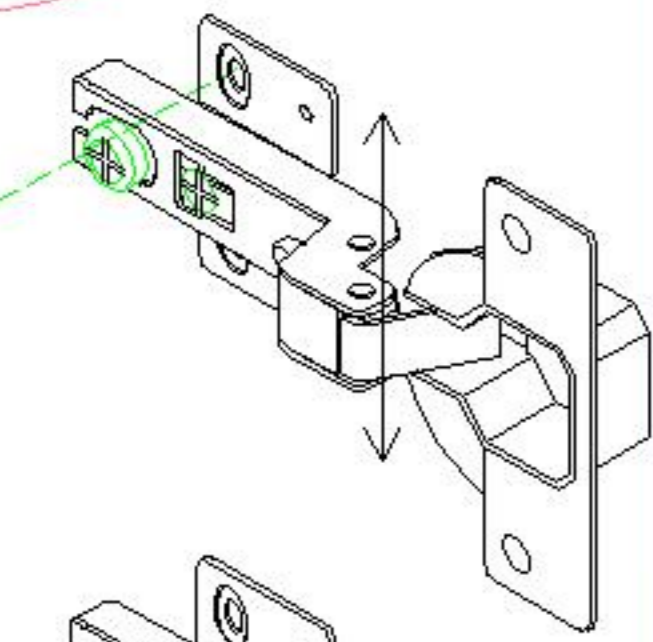
中弯middle bending



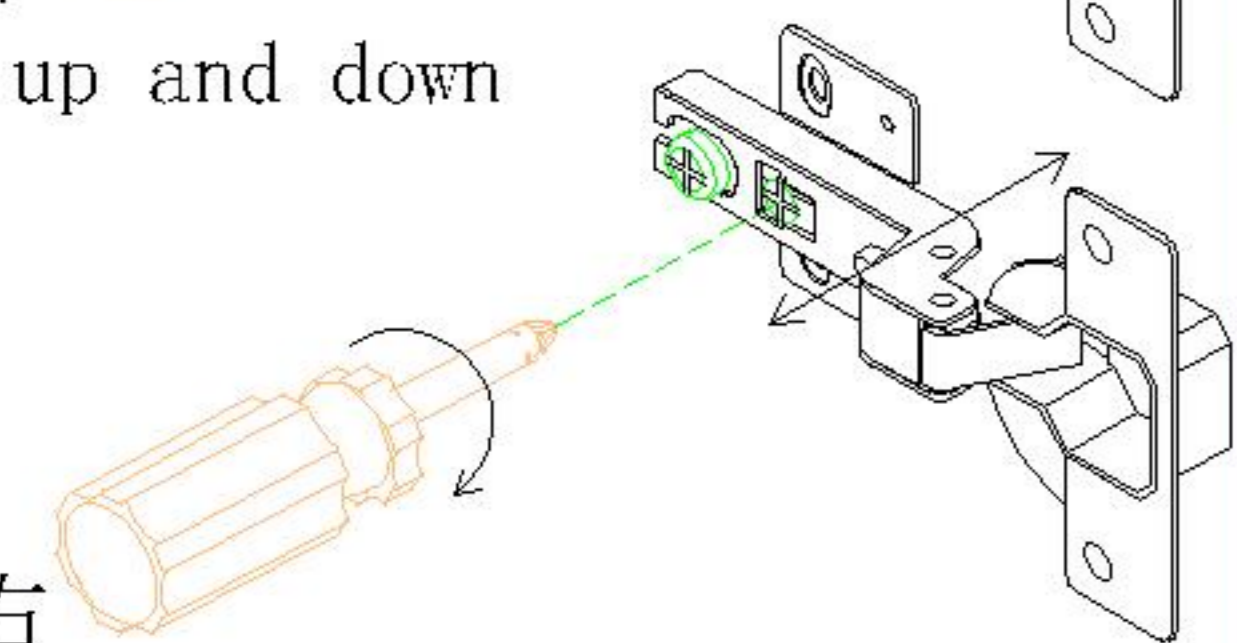
直弯straight bending



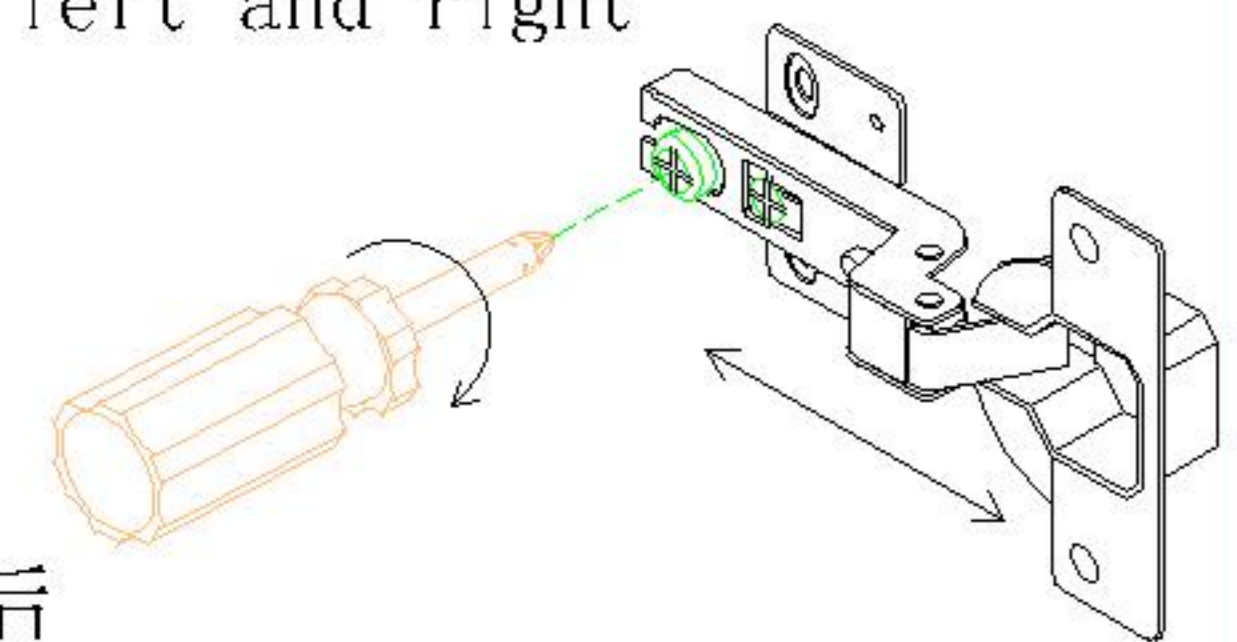
调节上下
Adjust up and down



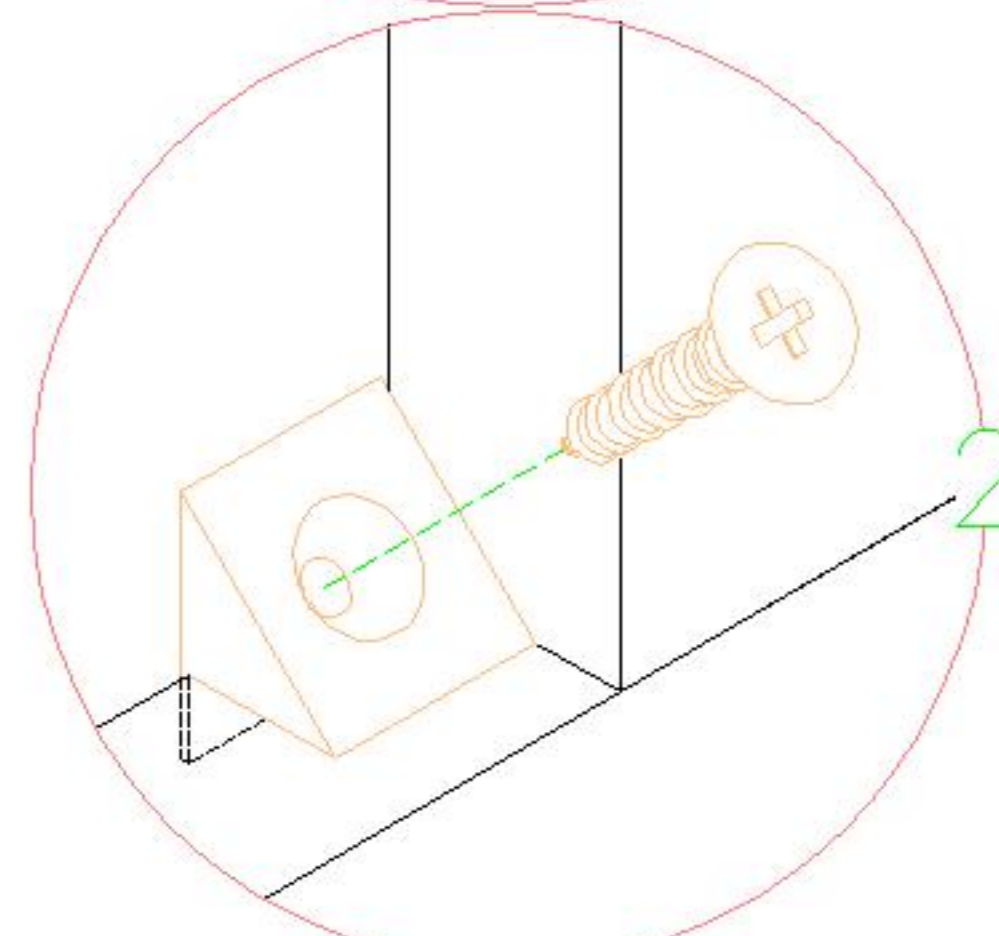
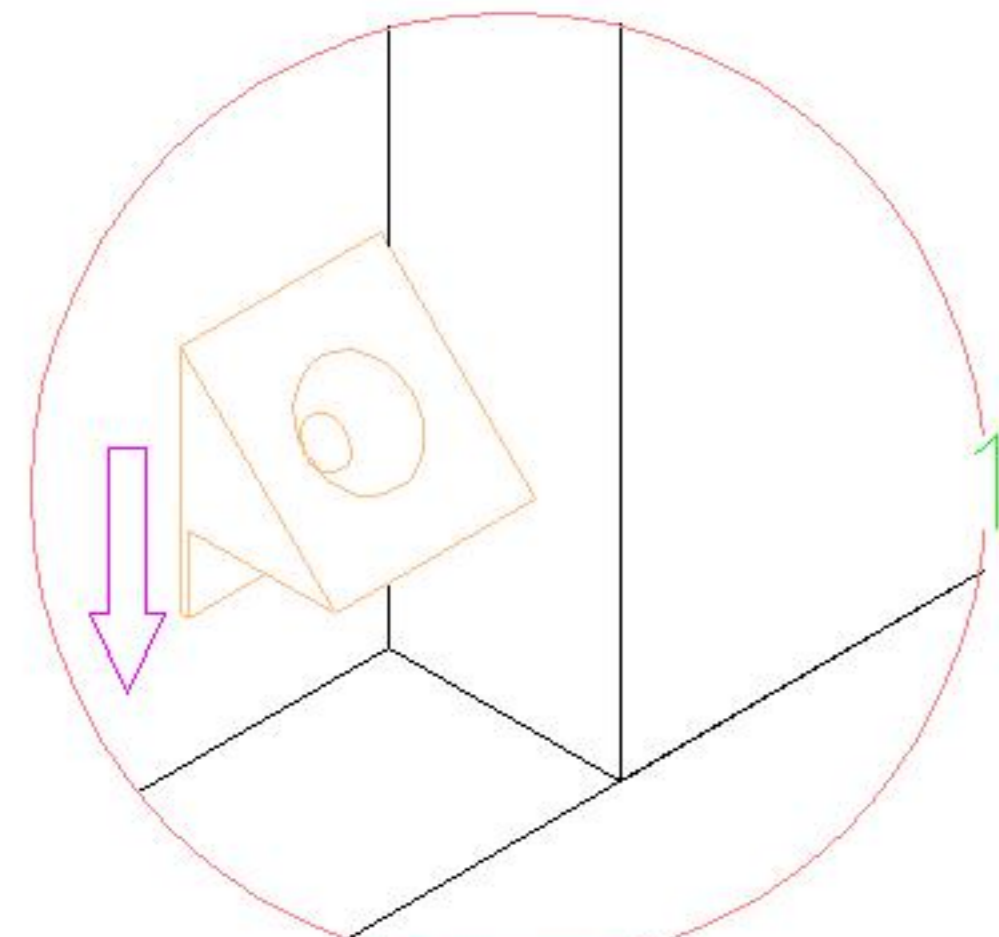
调节左右
Adjust left and right



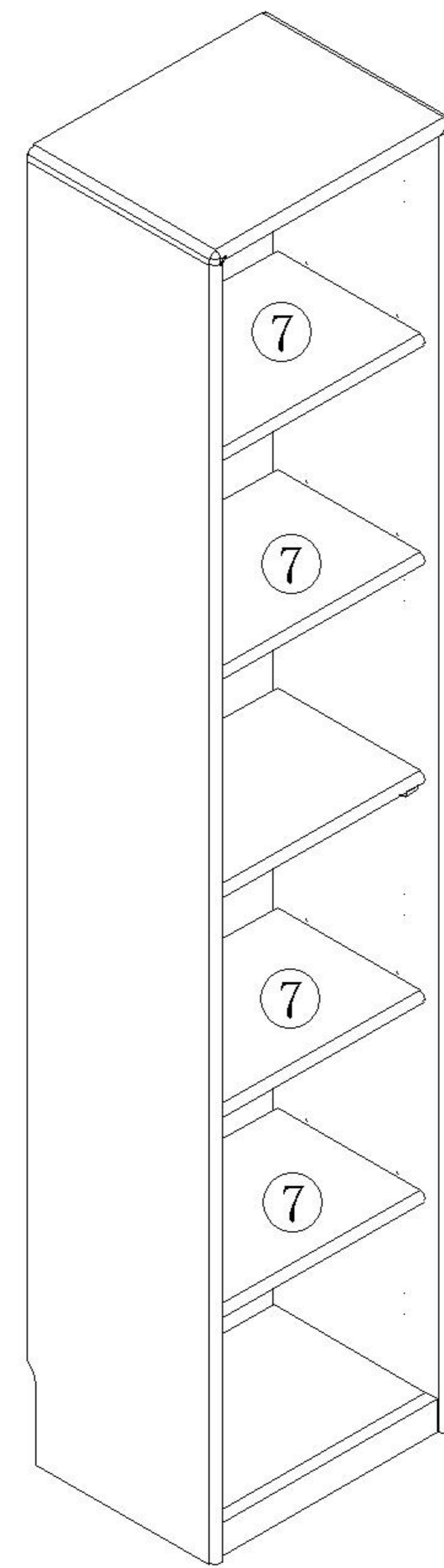
调节前后
Before and after adjustment



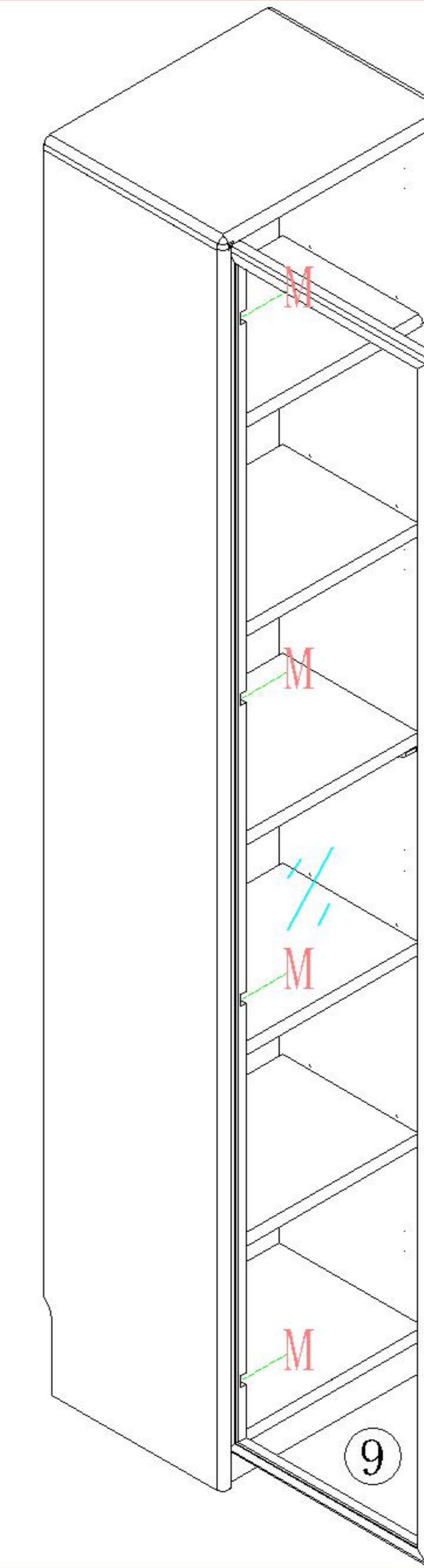
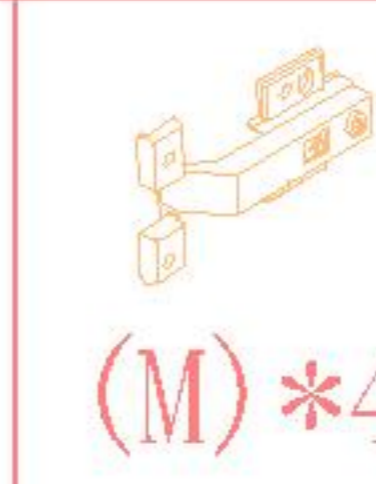
门铰Hinge



背板扣
Back Plate Buckle



5

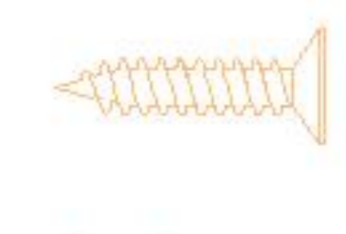


6

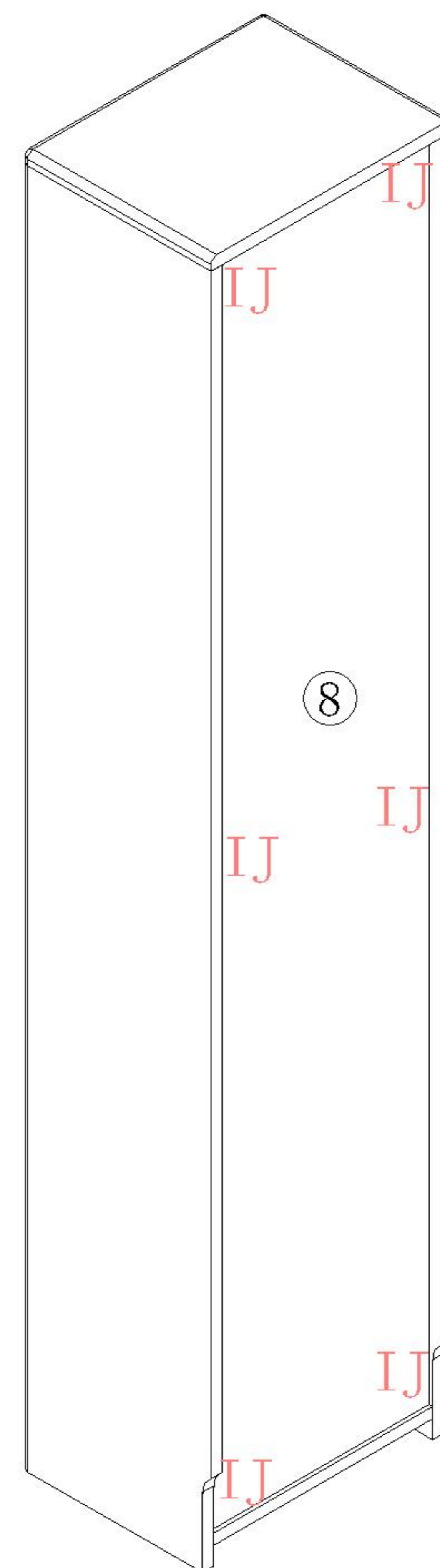
提示：五金门可左右
互换安装
Note: the hardware door can be
interchanged and installed
left and right



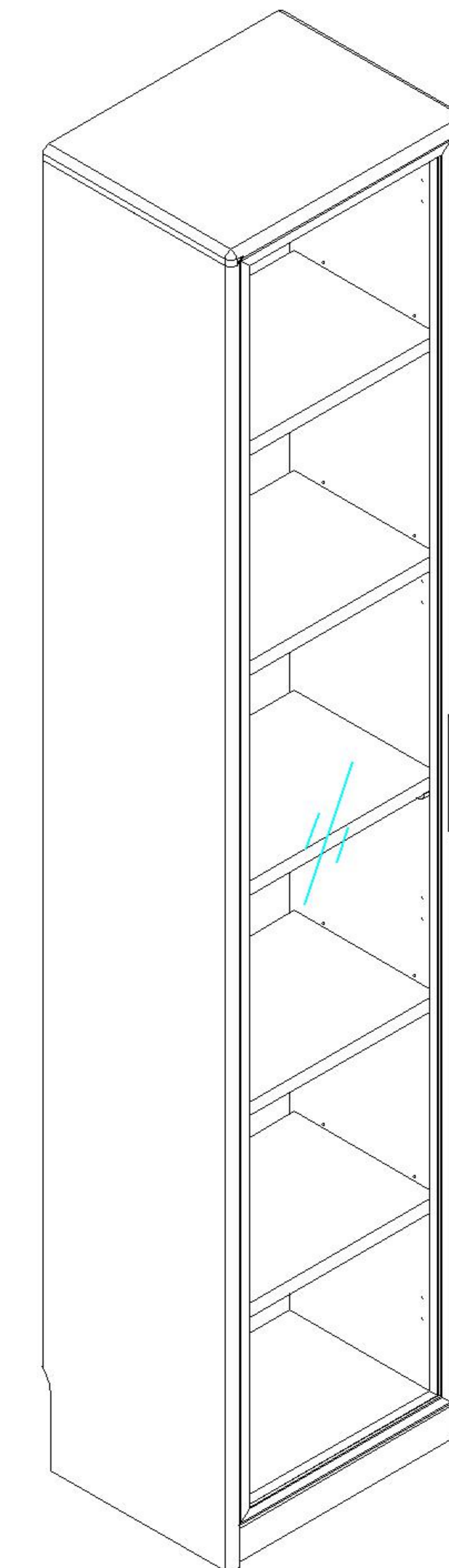
(I)*6



(J)*6



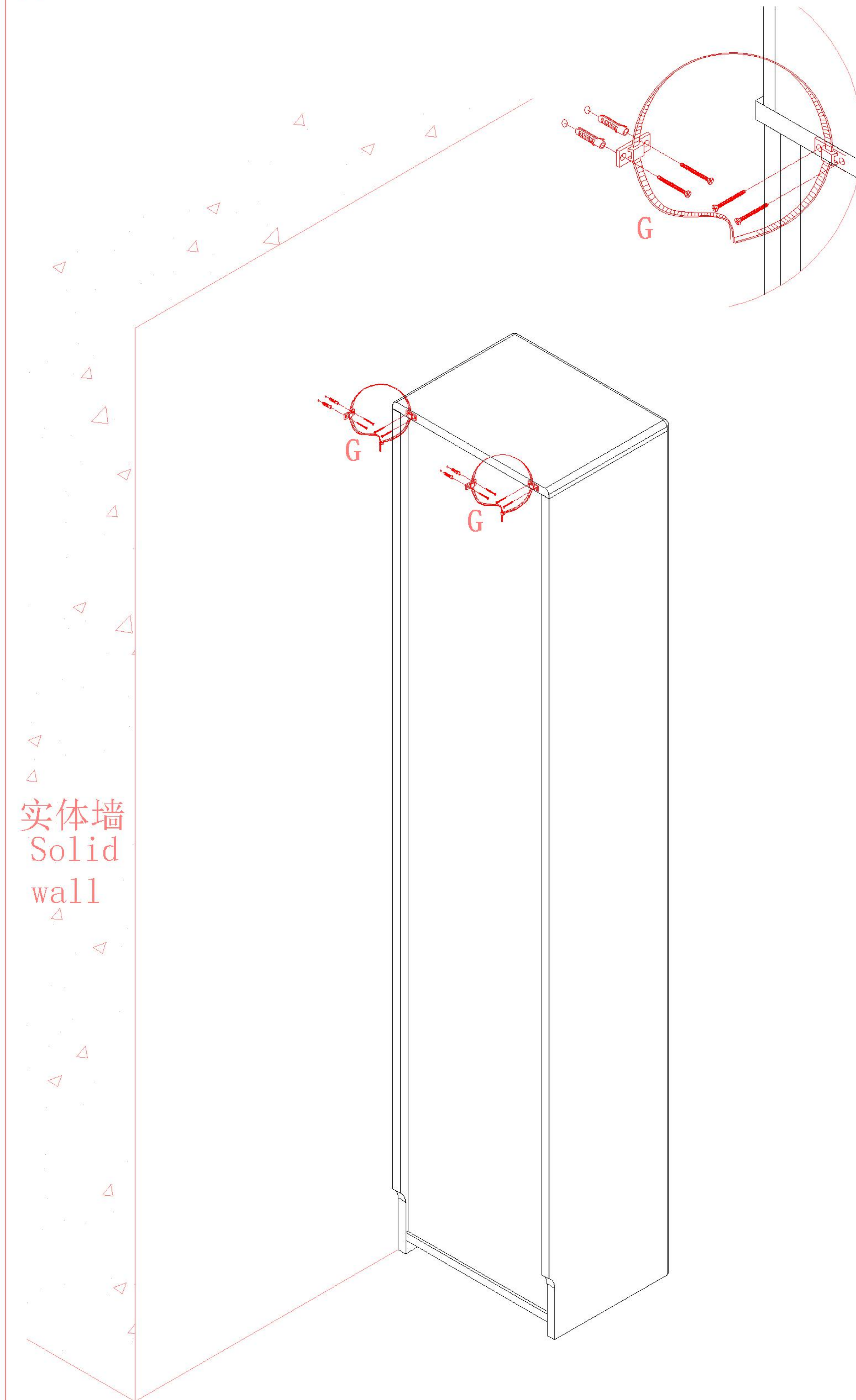
7



8

安装方法
Installation method

(G)*2



实体墙
Solid
wall

