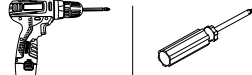


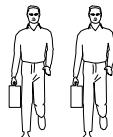
安装示意图/Assembly Instruction

产品名称 Model NO.	LS405X1-A
产品规格 Specification	两门书柜 Two-door bookcase
尺寸组合 Combined size	855*420*2000mm

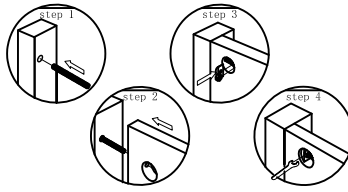
安装工具Tool
充电式手电钻 或者 十字螺丝刀
Cordless hand drill
Phillips screwdriver



安装人数Installer

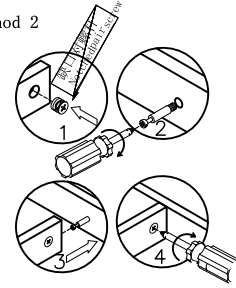


安装方法1/
Installation method 1



五合一的安装方法
Instruction of 5-in-1 screw

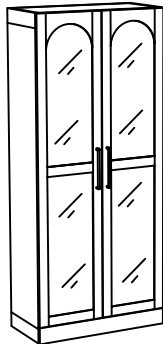
安装方法2/
Installation method 2



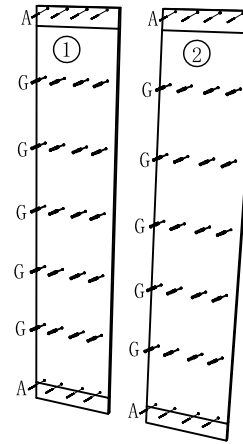
三合一/3 in 1

配件表/Accessories list 部件表/Parts List

编号 No.	名称 Name	图示 Icon	数量 QTY	编号 No.	名称 Name	规格 Specification	数量 QTY	材质 material
A	全牙丝杆M8*80mm screw-(M8*80mm) color zinc		8	①	左侧板 Left side panel	2000*400*20	1	实木 Solid wood
B	半月牙 M8 Semilunar M8		8	②	右侧板 Right side panel	2000*400*20	1	实木 Solid wood
C	M8外六角帽 M8 Outer hexagon nut		8	③	门 Door	1895*426*20	2	实木 Solid wood
D	14号开口扳手 14 open end wrench		1	④	顶板 Top panel	815*390*20	1	实木 Solid wood
E	M8*35内六角螺栓 M8*35 Hexagon socket bolt		4	⑤	底板 Bottom panel	815*390*20	1	实木 Solid wood
F	调整脚M6 adjustable hardware foot		4	⑥	层板 Laminate	815*390*20	5	实木 Solid wood
G	三合一螺杆 3-in-1-screw		40	⑦	后背板 Rear Panel	950*835*9	2	实木 Solid wood
H	小三合一锁饼 Three in one lock cake		40	⑧	前裙板 Front apron	850*100*20	1	实木 Solid wood
I	缓冲门铰 Buffer door hinge		8	⑨	加固木 Reinforced wood	815*25*20	1	实木 Solid wood
J	自攻螺丝M4*20 Self-tapping screw		24					
K	自攻螺丝M3.5*16 Self-tapping screw		48					
L	5mm内六角扳手 spanner-(5mm) hex		1					
M	拉手 Handle		2					
N	拉手丝4*25 Handle wire 4*25		4					
O	自攻螺丝M4*25 Self-tapping screw		4					
P	防倒五金一套 A set of anti-fall hardware		2					
R	门吸四套 (配自攻丝16个) Four sets of door suction cups (equipped with 16 self tapping screws)		4					

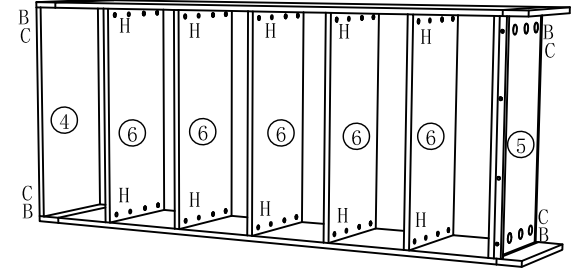


STEP 1



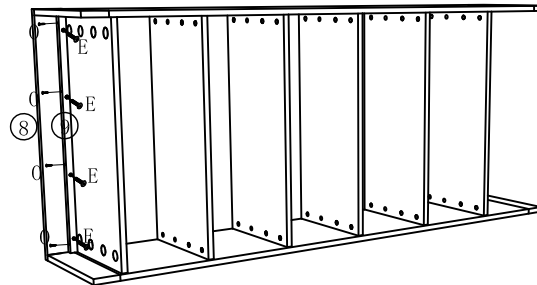
△: 将五金A和五金G安装到部件1和部件2的相应位置;
Install hardware A and hardware G in the corresponding positions of component 1 and component 2;

STEP 2



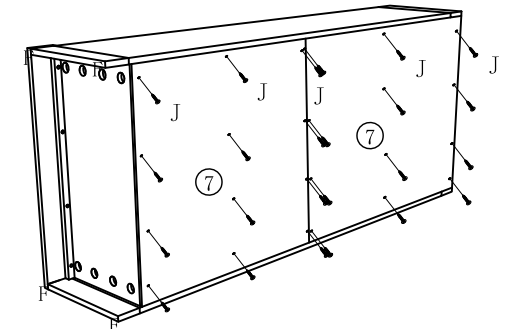
△: 将组好的STEP1和部件4、部件5用五金D、C、B连接 (安装方法1), 将组好的STEP1和部件6用五金H连接 (安装方法2);
Connect the assembled STEP1 and component 4 and 5 with hardware D, C, and B (installation method 1), and connect the assembled STEP1 and component 6 with hardware H (installation method 2);

STEP 3



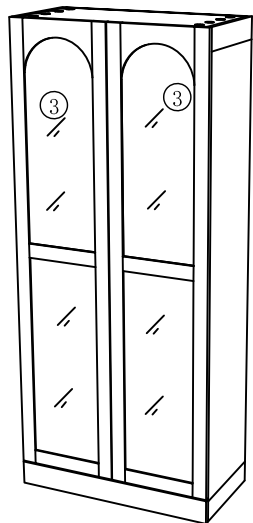
△: 将组好的STEP2和部件8、部件9用五金E和五金O连接固定;
The assembled STEP2 and part 8 and 9 are connected and fixed with hardware E and hardware O

STEP 4



△: 将组好的STEP3和部件7用五金J连接固定; 再将五金F安装到柜体底部;
Connect and fix the assembled STEP3 and component 7 with hardware J; Install hardware F to the bottom of the cabinet;

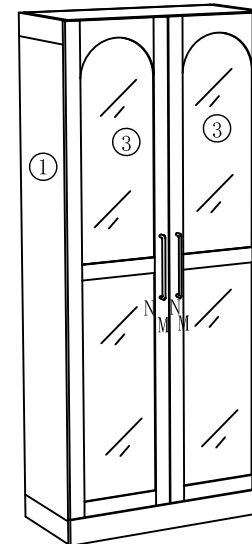
STEP 5



△：将组好的STEP4扶正，将部件3用五金K、I安装到组好的STEP4相应位置，并调整门使周圈缝隙均匀；

Align the assembled STEP4, install component 3 with hardware K and I to the corresponding position of the assembled STEP4, and adjust the door to ensure even circumferential gaps;

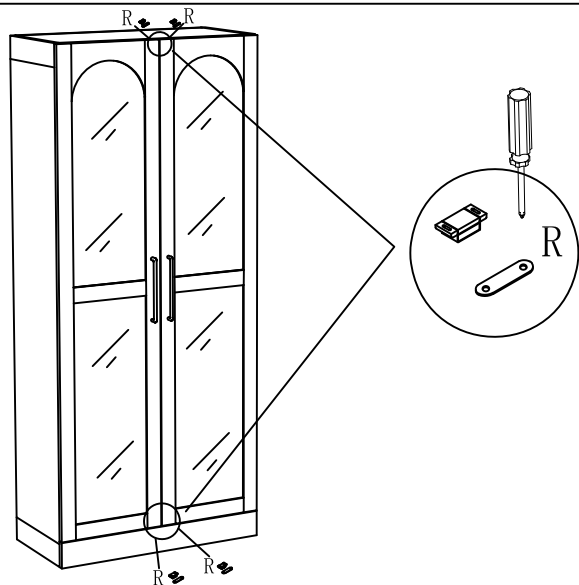
STEP 6



△：将五金M用五金N安装到组好的STEP5的相应位置。

Install hardware M and hardware N to the corresponding position of the assembled STEP5 to complete the installation.

STEP 7



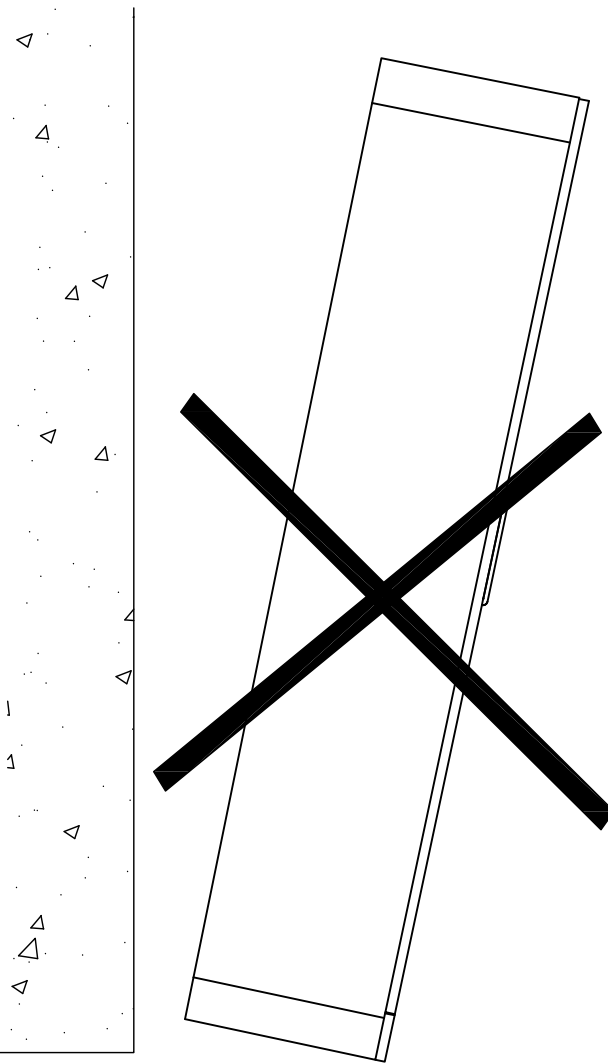
△：选择合适位置安装R分别到两扇门的上下端，完成安装。

Choose a suitable location to install P on the upper and lower ends of the two doors, and complete the installation.

STEP 8

LS405X1-A

防倒器安装方法



(P)*2

防倒器 (P) Zoom

