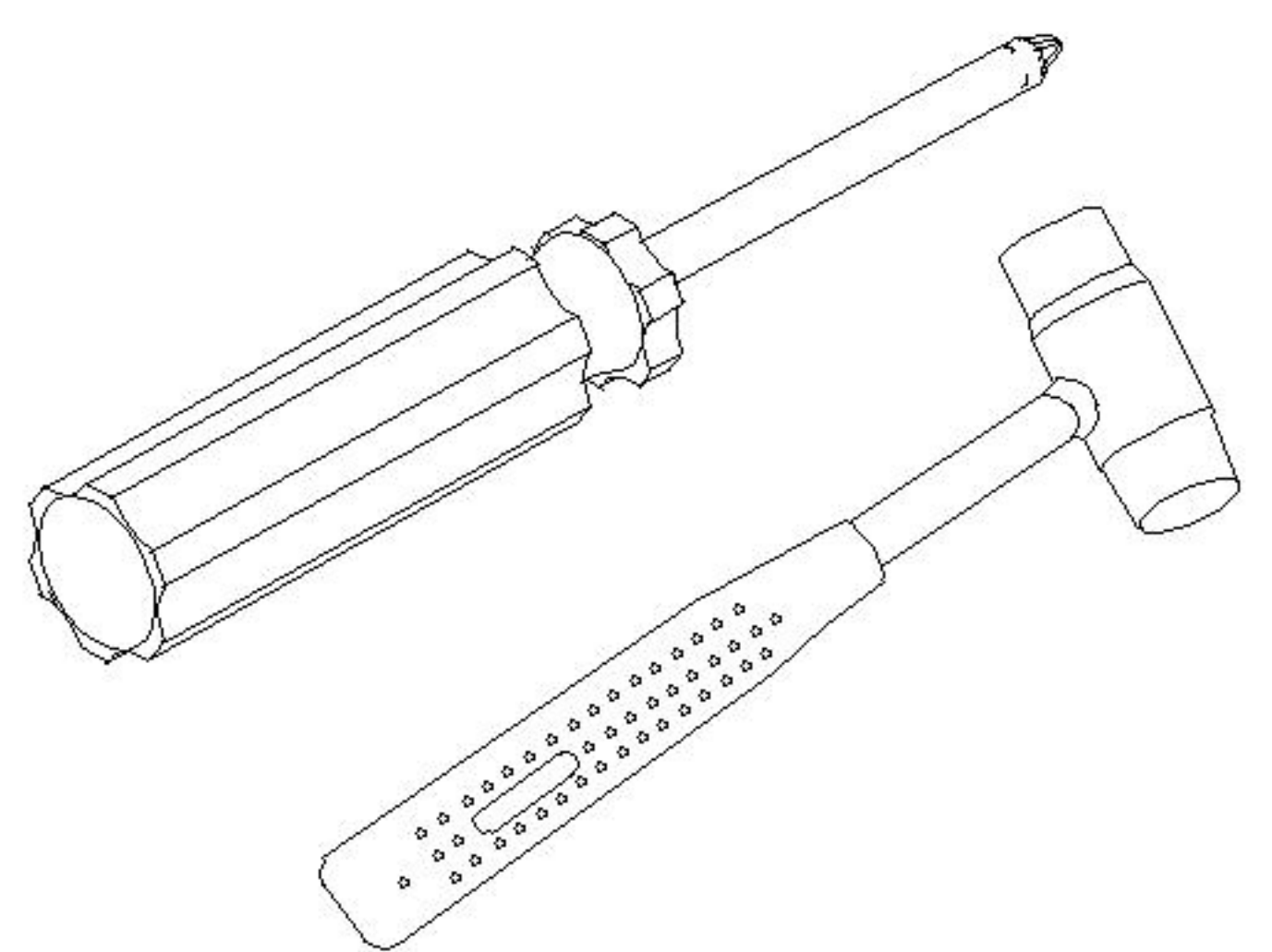
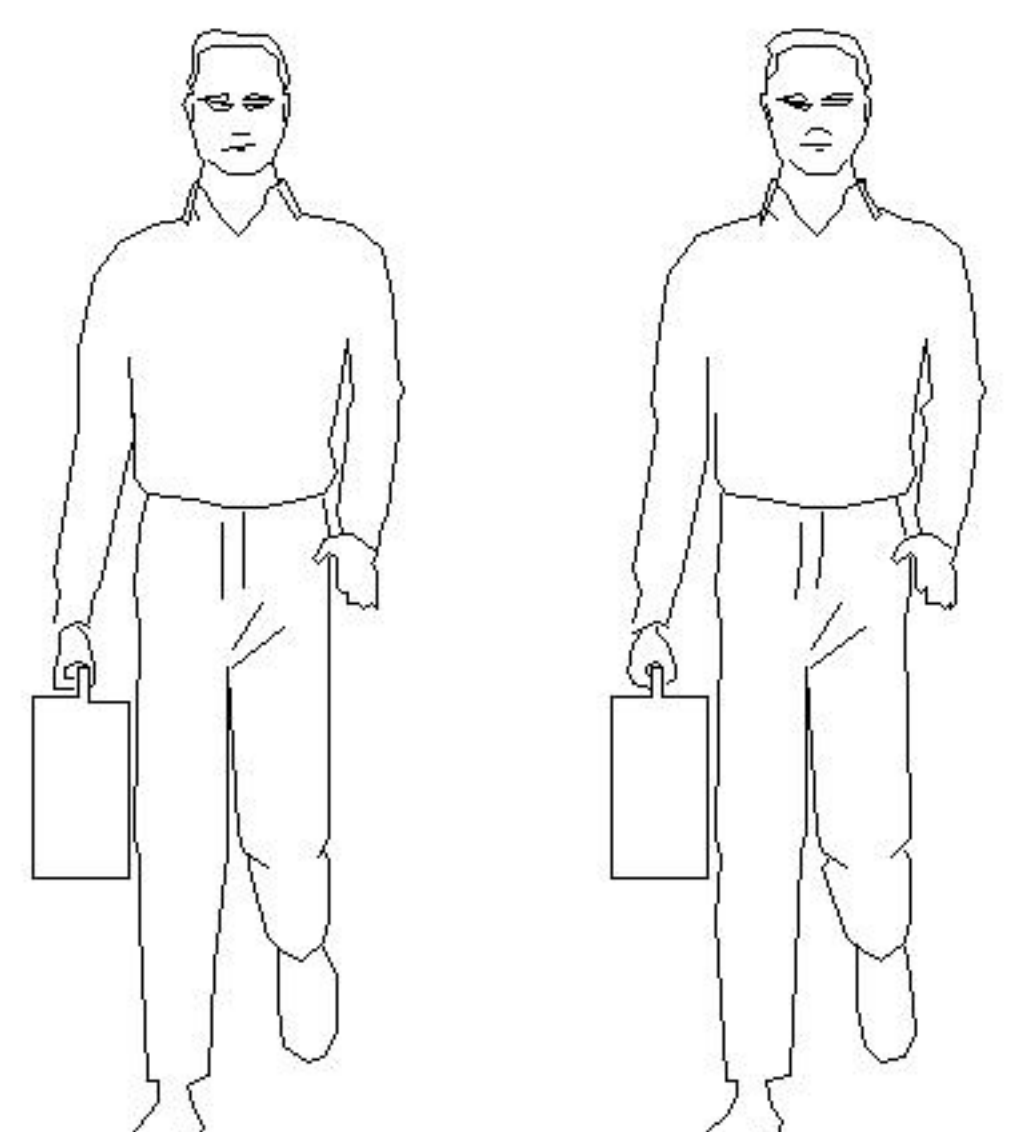


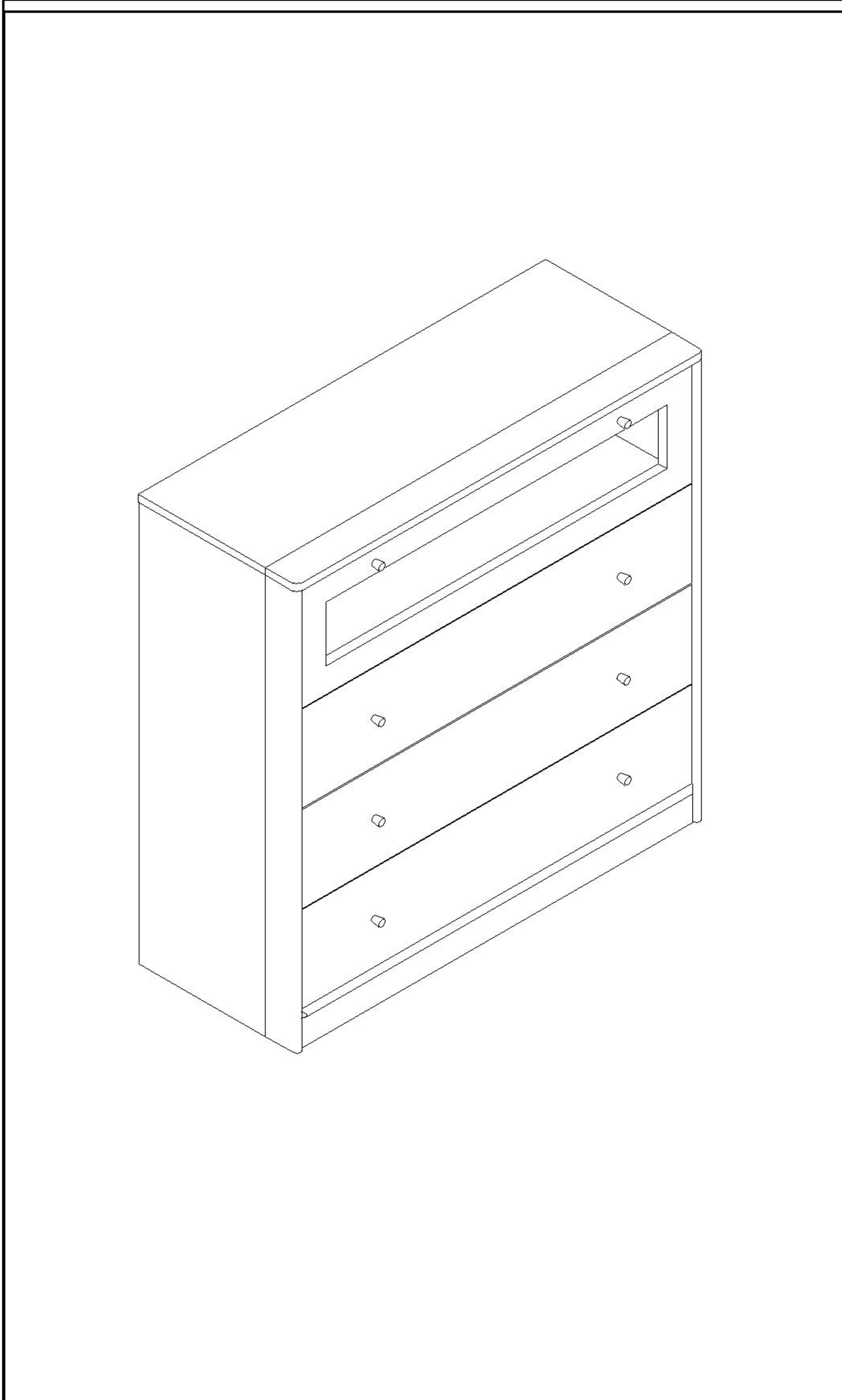
LINSY 林氏家居

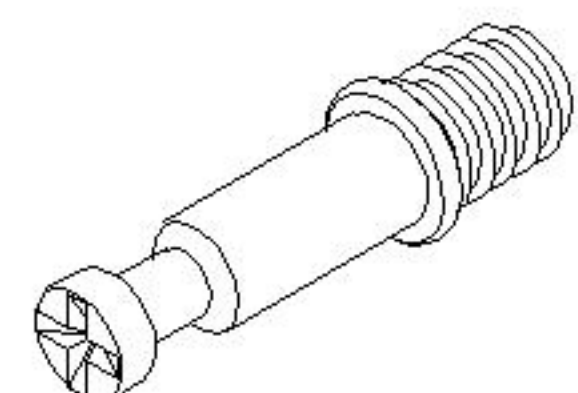
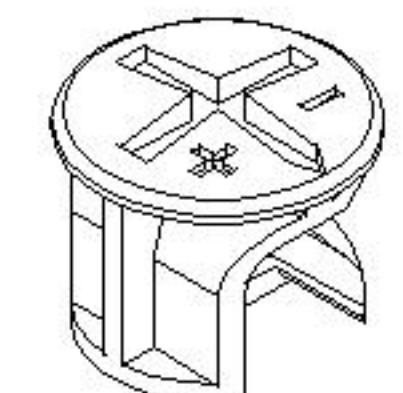
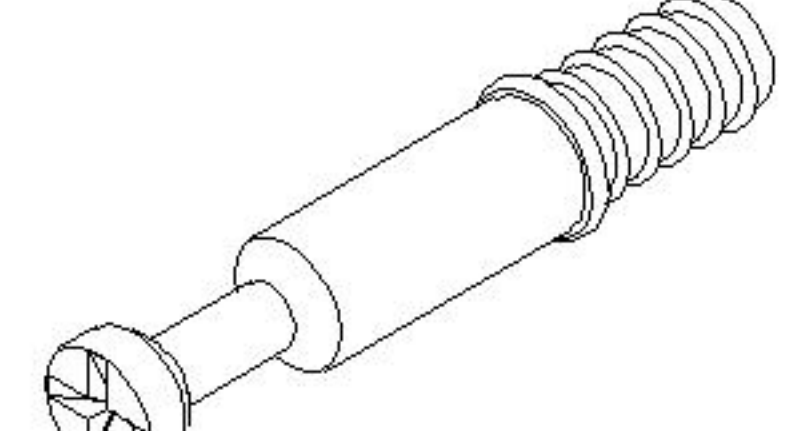
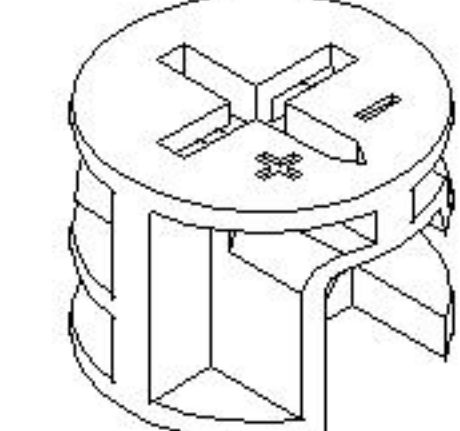
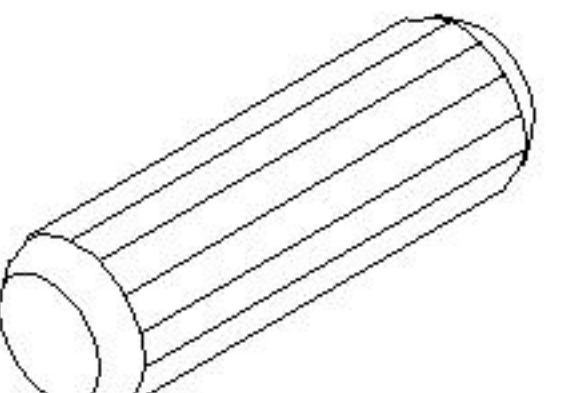
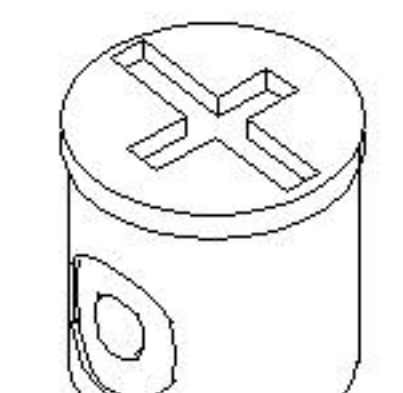
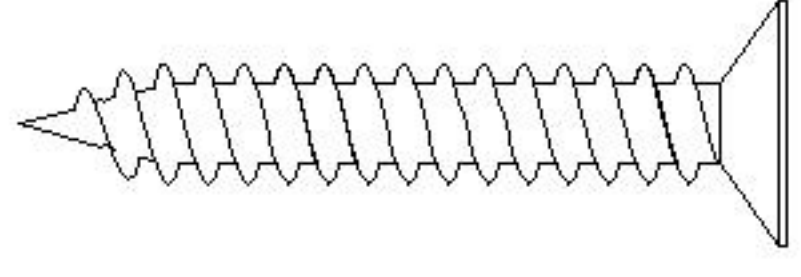
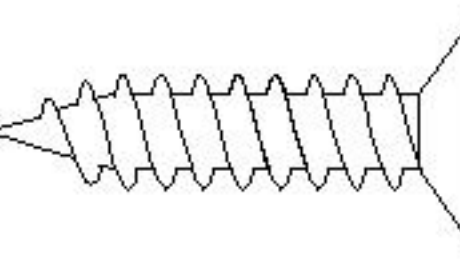
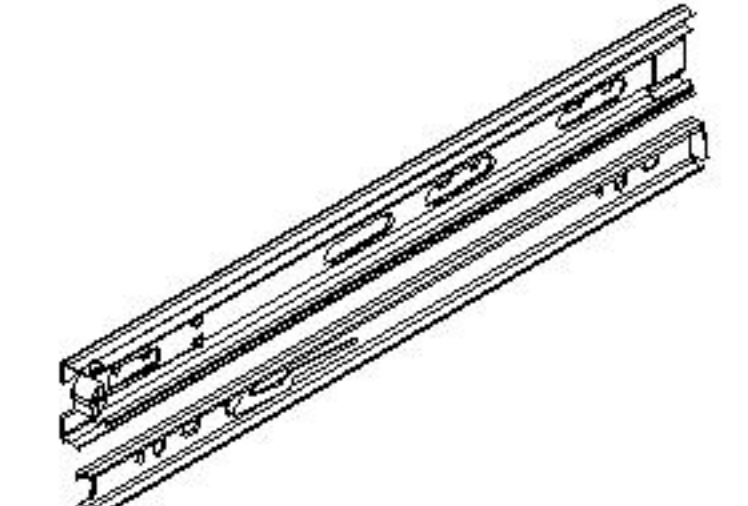
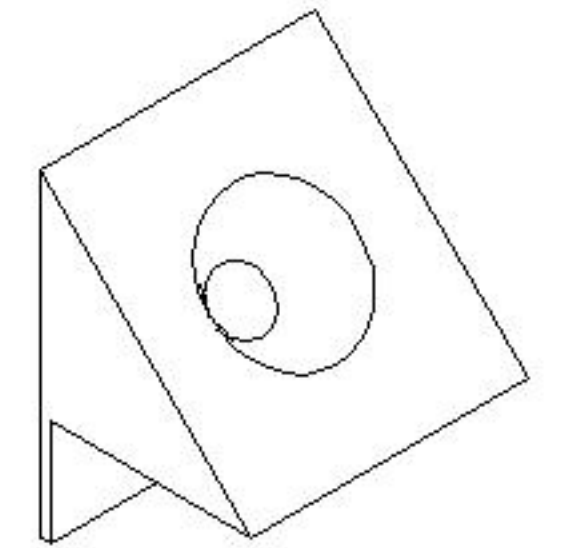
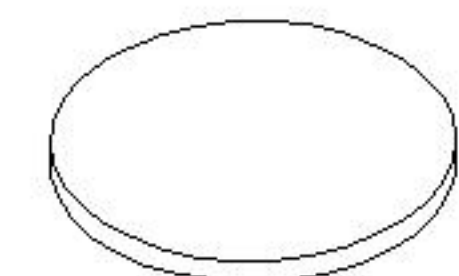
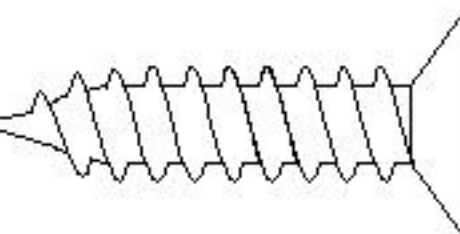
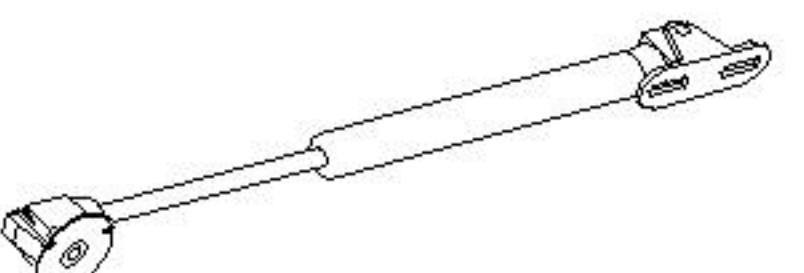
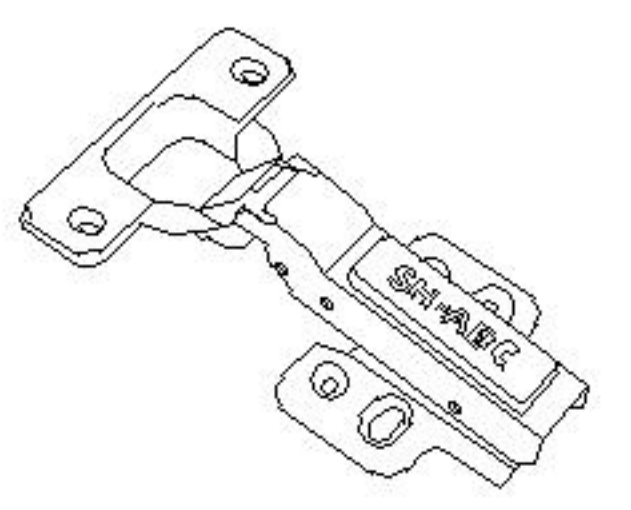
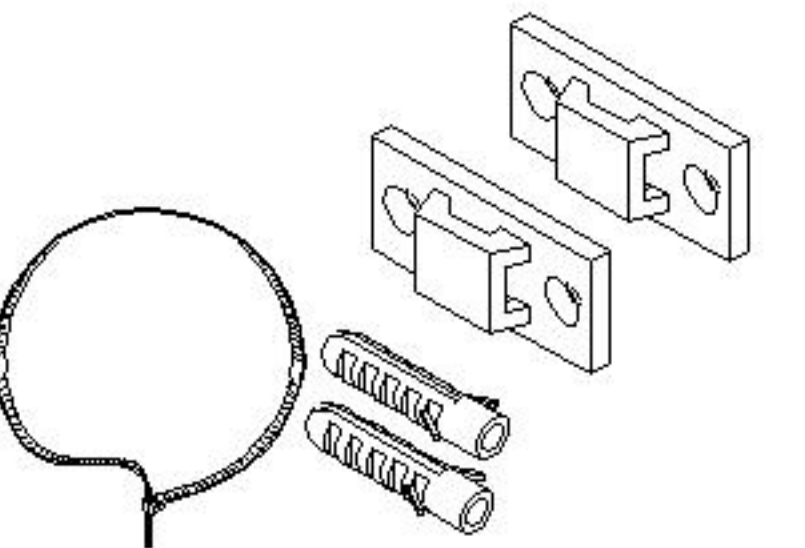

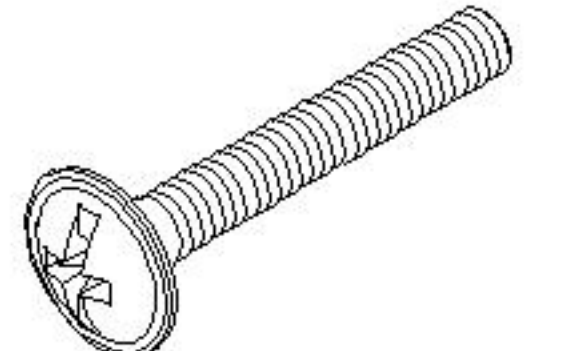
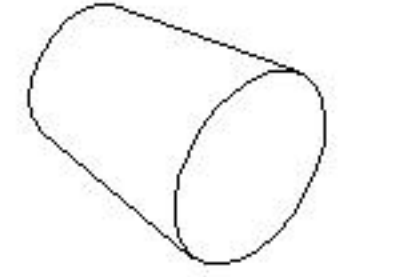

五金表/Hardware list

部件表/Parts List

安装示意图/Assembly Instruction

产品名称 Model NO.	KQ1X-A
产品规格 Specification	901*362*900mm
安装工具 Tool	安装人数 Installer
	

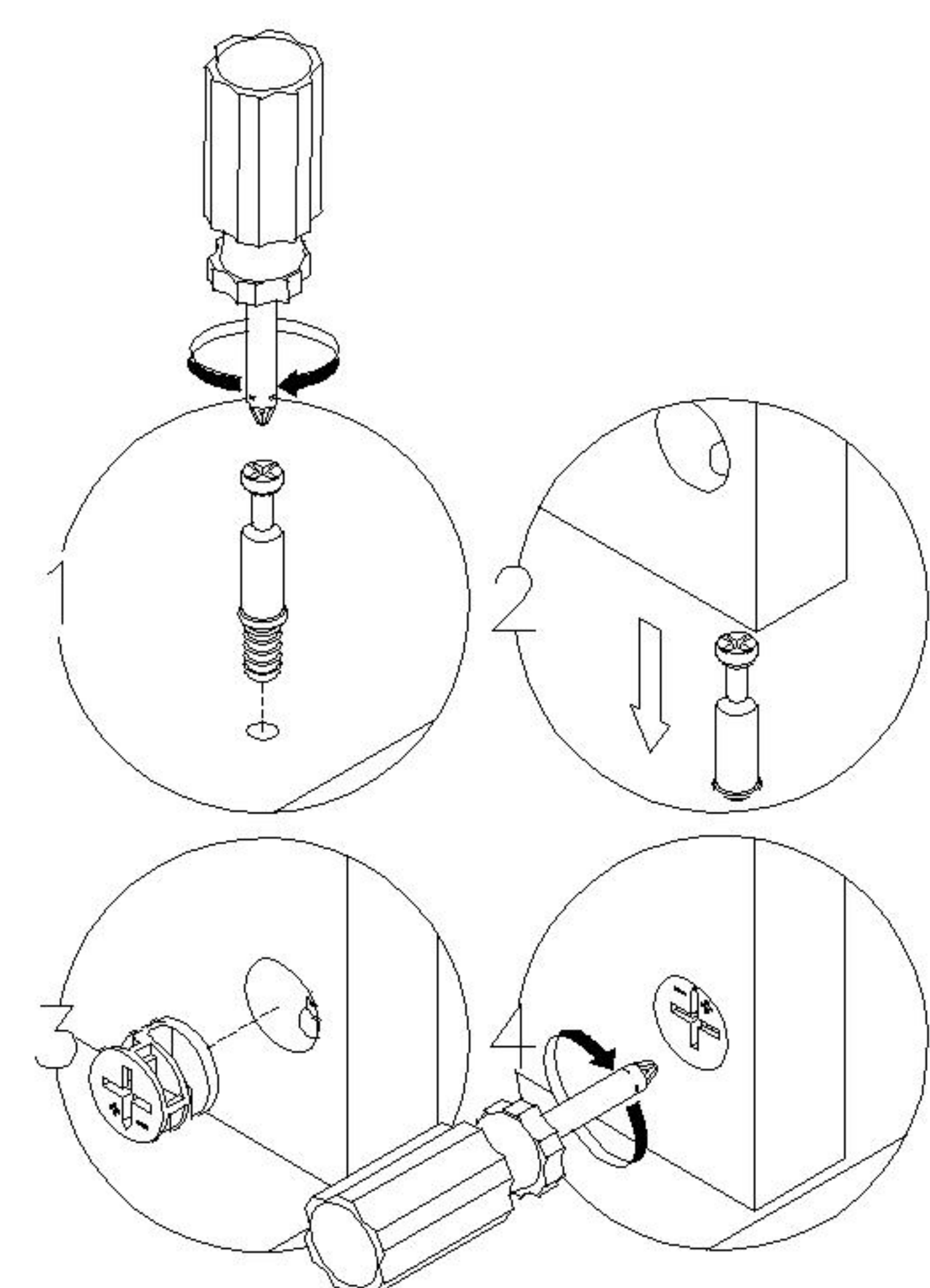


 (A)*19 小二合一杆 2-in-1 small rod	 (B)*19 小三合一锁饼 3-in-1 small lock	 (C)*38 二合一螺杆(35mm) 2-in-1-screw	 (D)*38 大三合一锁饼(15mm) Three-in-one large lock
 (E)*29 木榫Ø8x30mm wood tenon	 (F)*19 塑料螺母 Plastic Nut	 (G)*19 自攻螺丝M4x40mm Self tapping screw	 (H)*48 自攻螺丝M3.5x12mm Self tapping screw
 (I)*3 三节滚珠导轨10" Three-section rail	 (J)*11 背板扣 Back Panel Buckle	 (K)*8 脚垫-灰色毛毡 Foot pad	 (L)*11 自攻螺丝M3.5x16mm Self tapping screw
 (M)*2 气动杆 Pneumatic lever	 (N)*2 缓冲门铰中弯-杯径Ø35 Middle bend hinge	 (O)*1 家具防倒器-白色 Anti-fall device	 (P)*2 棕色夹板条-l=868 splint strip
 (Q)*8 拉手螺丝-M4x18mm Pulling screw	 (R)*8 圆拉手 Round handle	 (S)*1 活动层板托杆 Movable laminate support rod	

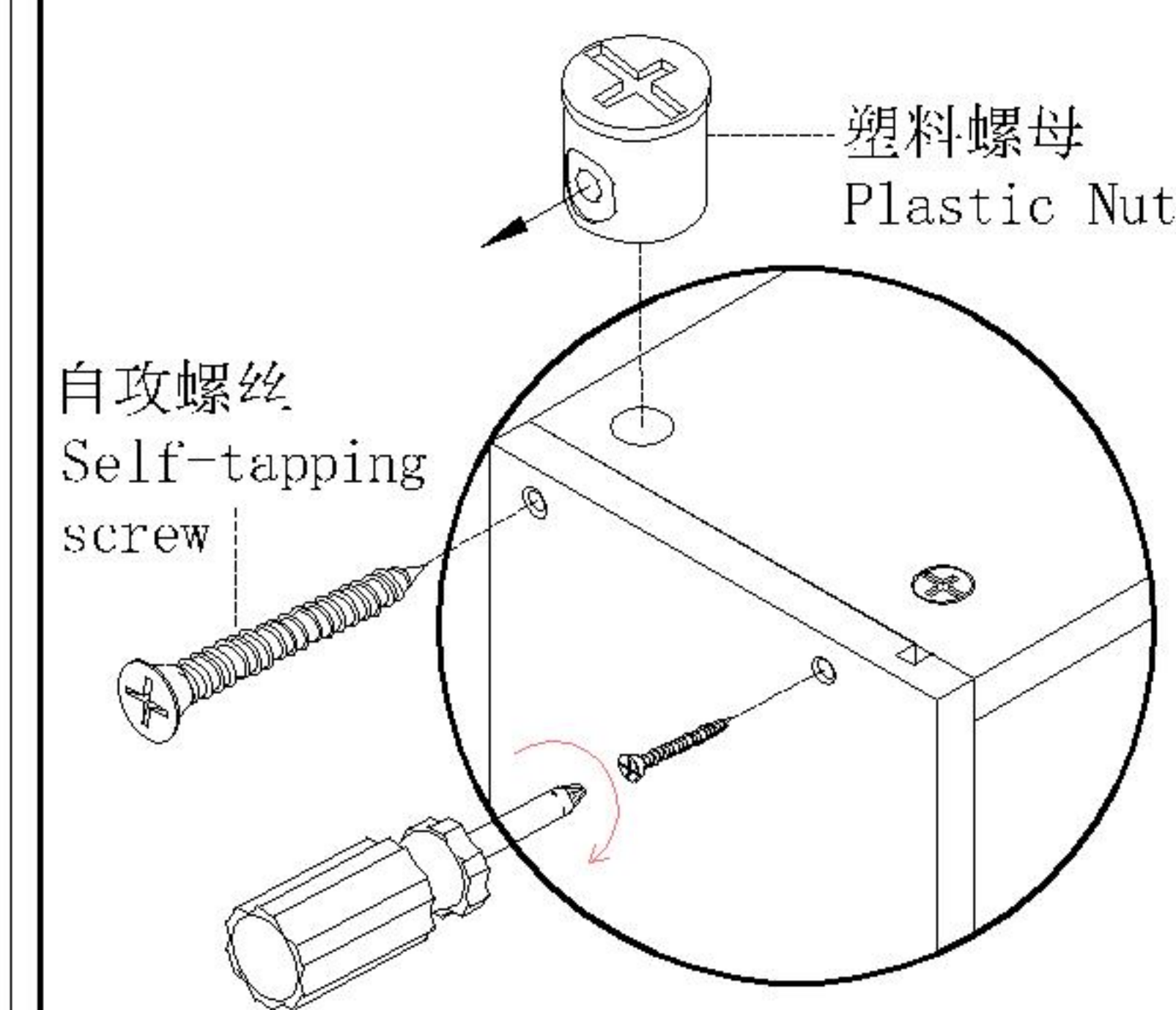
编号NO.	名称Name	规格(mm) Specification	数量QTY	材质Material
①	面板Top panel	901*280*15	1	三胺板 Melamine
②	拉条1Brace 1	901*70*15	1	实木 Wood
③	底板Bottom board	869*280*15	1	三胺板 Melamine
④	拉条2Brace 2	869*70*15	1	实木 Wood
⑤	层板Shelf	869*305*15	1	三胺板 Melamine
⑥	前后立水Front and back apron	869*58*15	2	三胺板 Melamine
⑦	右侧板Side board (R)	885*280*15	1	三胺板 Melamine
⑧	左侧板Side board (L)	885*280*15	1	三胺板 Melamine
⑨	右立柱Stand column (R)	885*70*15	1	实木 Wood
⑩	左立柱Stand column (L)	885*70*15	1	实木 Wood
⑪	背板Back board	879*272*5	3	三胺板 Melamine
⑫	翻门Swing door	865*232*15	1	三胺板 Melamine
⑬	抽屉面板Drawer's top panel	865*190*15	3	三胺板 Melamine
⑭	抽屉左侧板Drawer's side board (L)	295*142*12	3	三胺板 Melamine
⑮	抽屉右侧板Drawer's side board (R)	295*142*12	3	三胺板 Melamine
⑯	抽屉后板Drawer's Back board	819*142*12	3	三胺板 Melamine
⑰	抽屉底托条Drawer's bottom bracket	281*58*12	3	三胺板 Melamine
⑱	抽屉底板Drawer's Bottom board	829*291*5	3	三胺板 Melamine

KQ1X-A

安装方法 Installation method



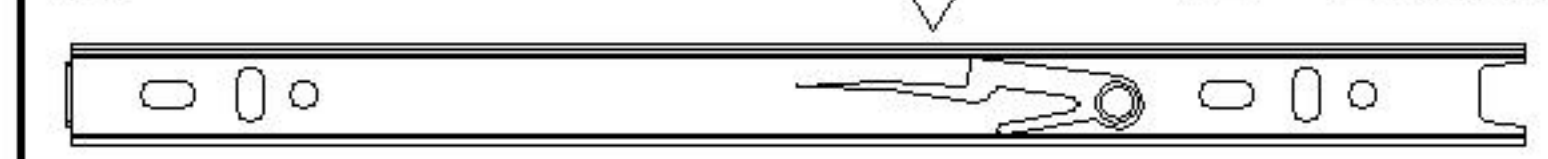
二合一
two-in-one



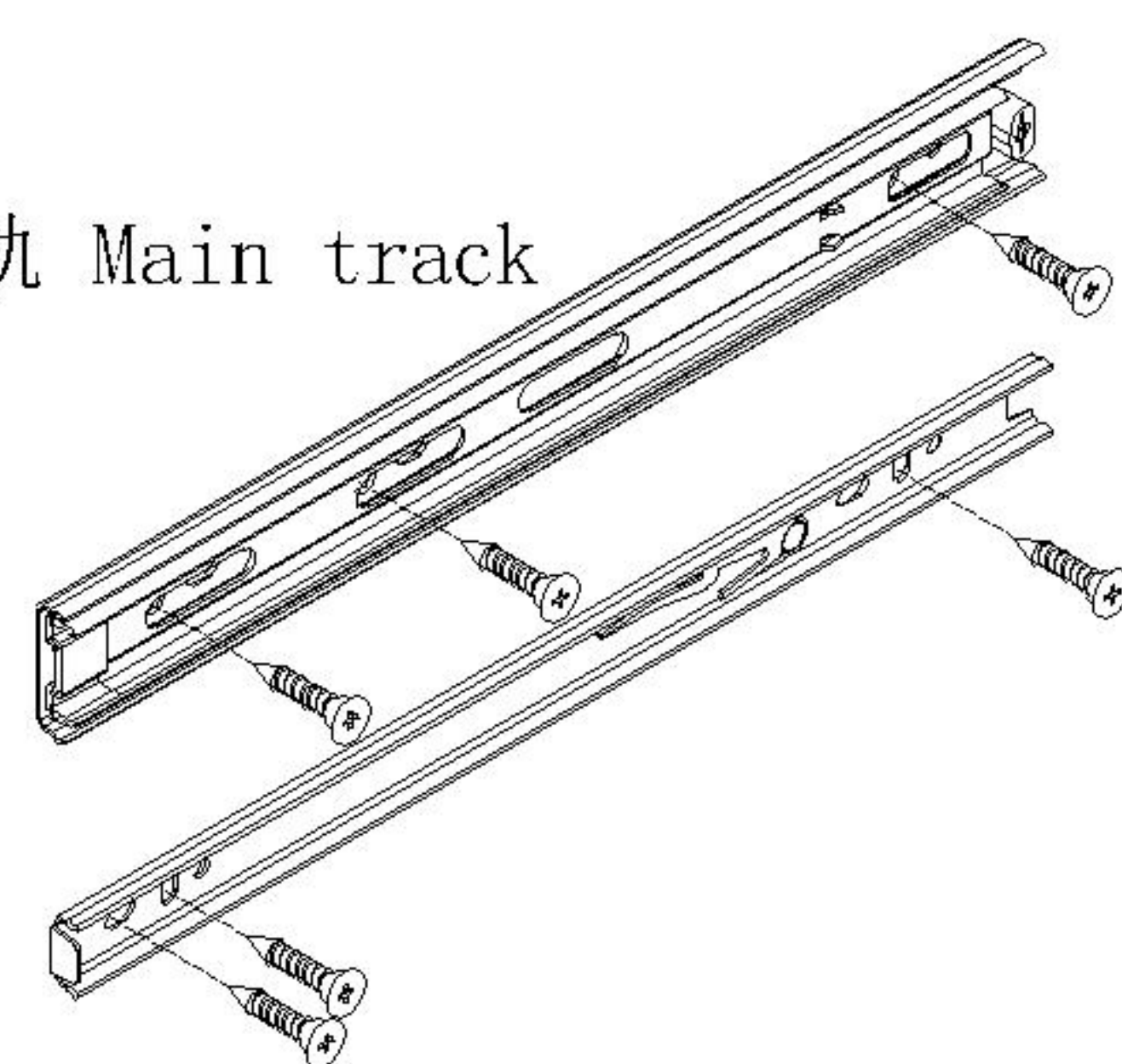
塑料螺母
Plastic Nut

阀门开关(下压为开)
Valve switch (press down to open)

前 Forward 后 Back

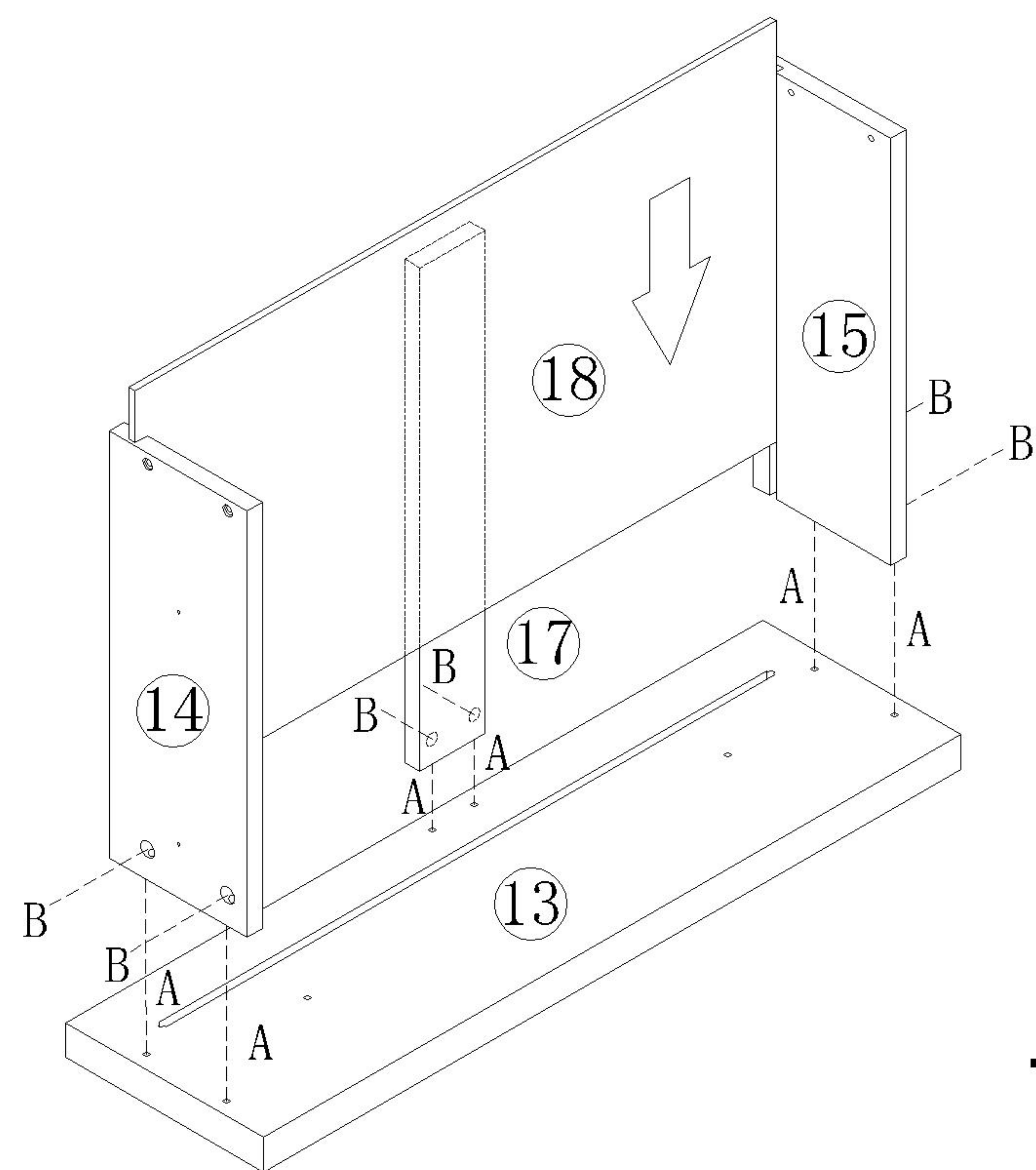


主轨 Main track



三节滚珠导轨-10"
Three-section rail

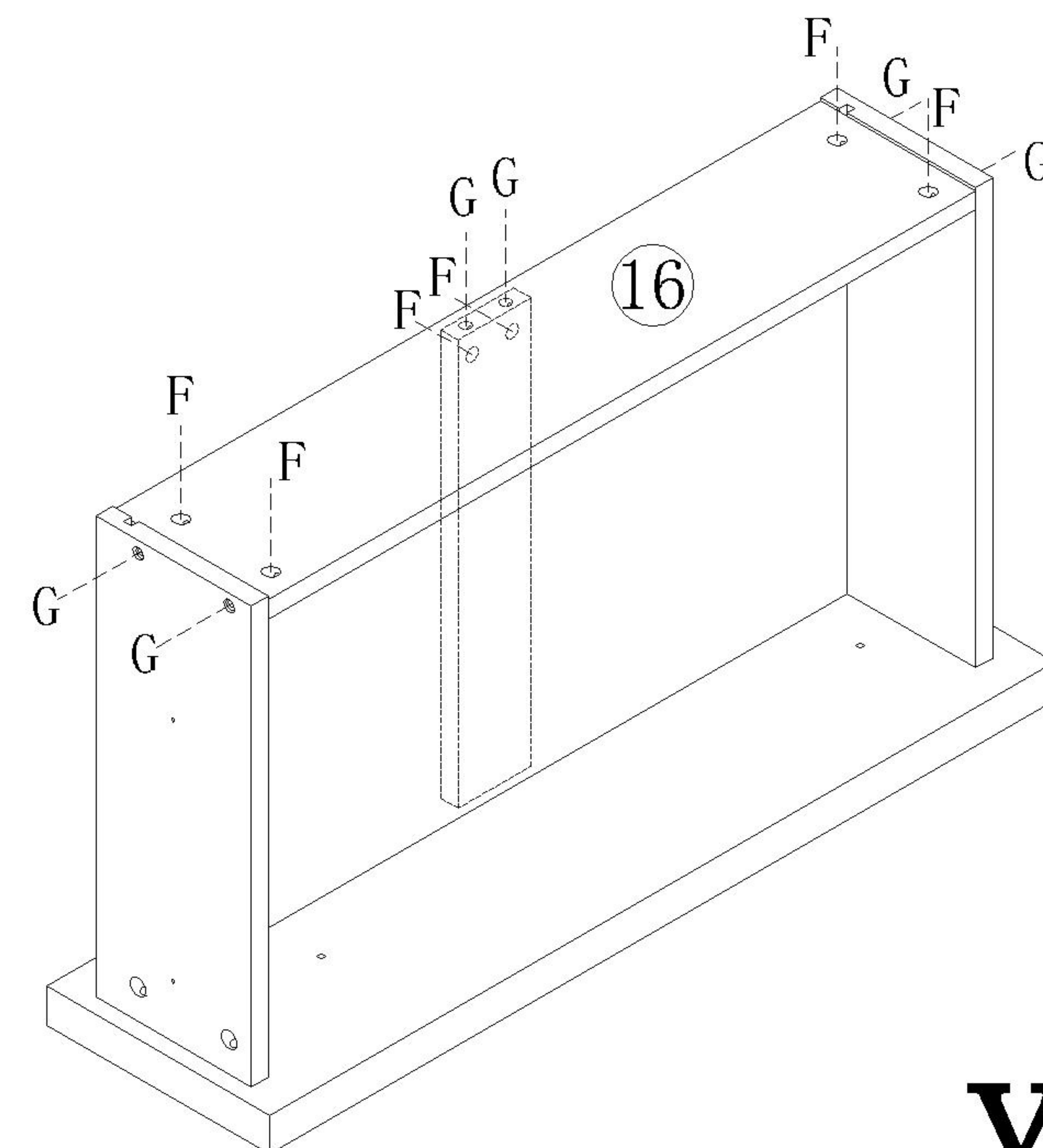
- (A)*18
- (B)*18



X3

1

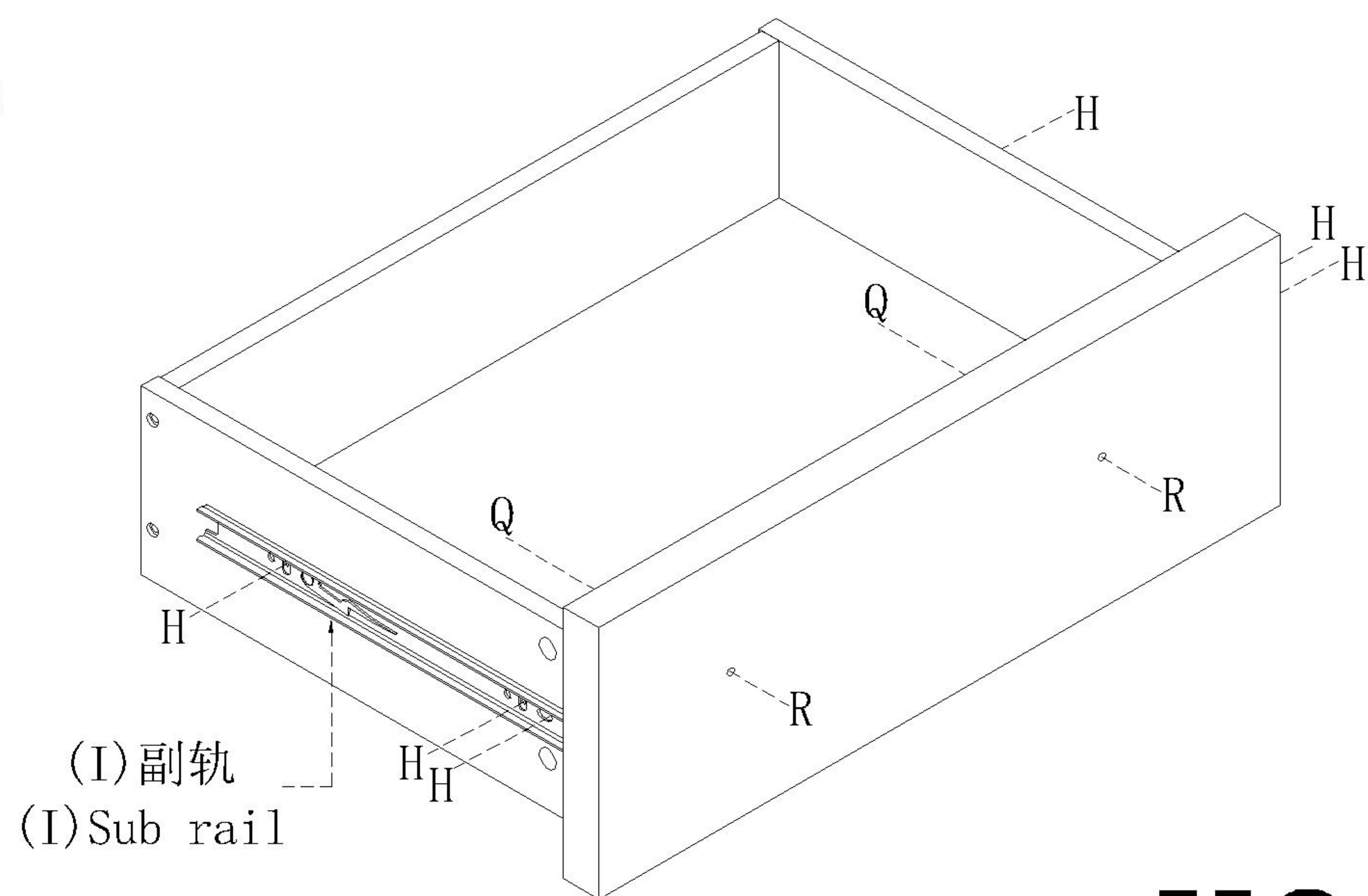
- (F)*18
- (G)*18



X3

2

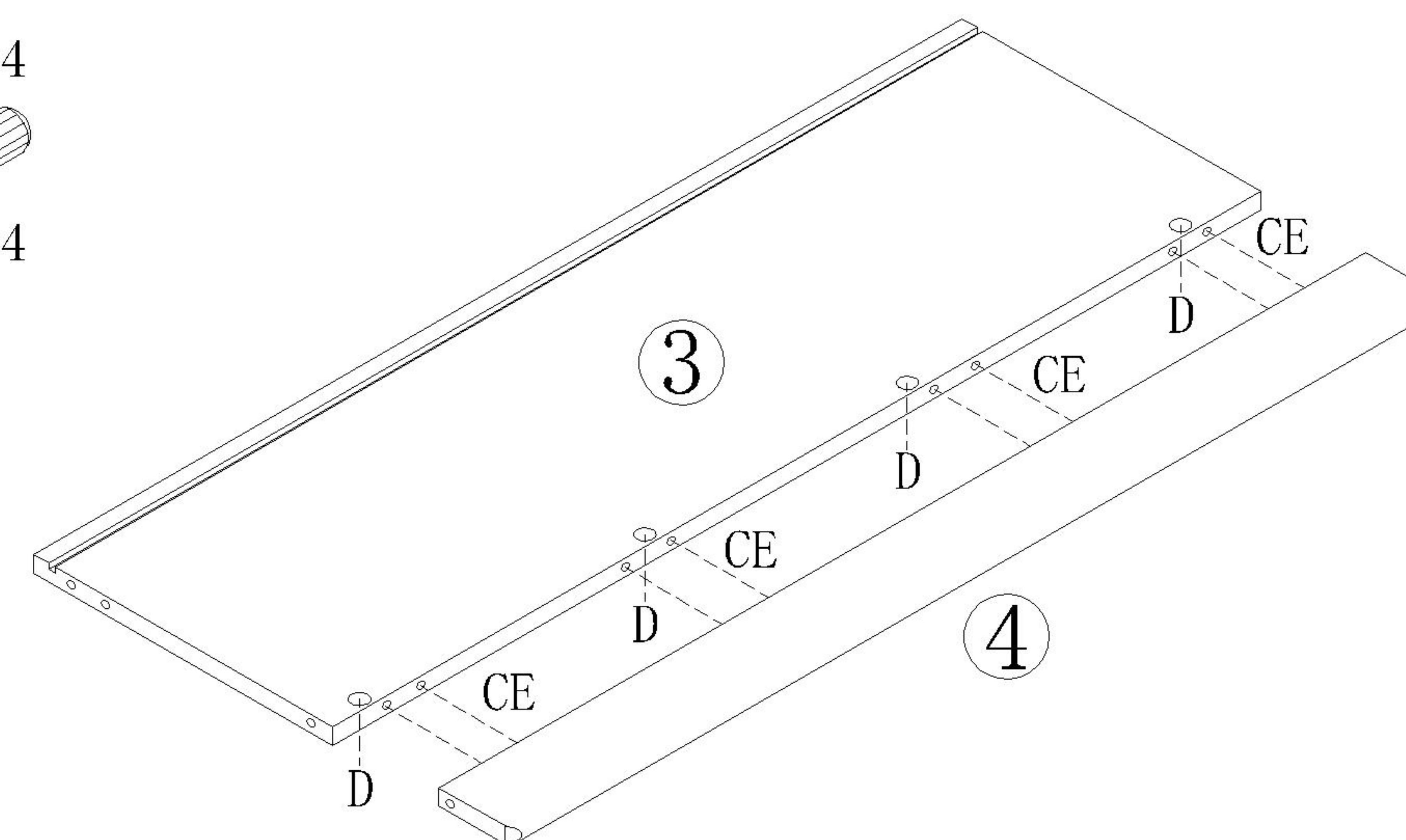
- (Q)*6
- (H)*18
- (R)*6
- (I)*3



X3

3

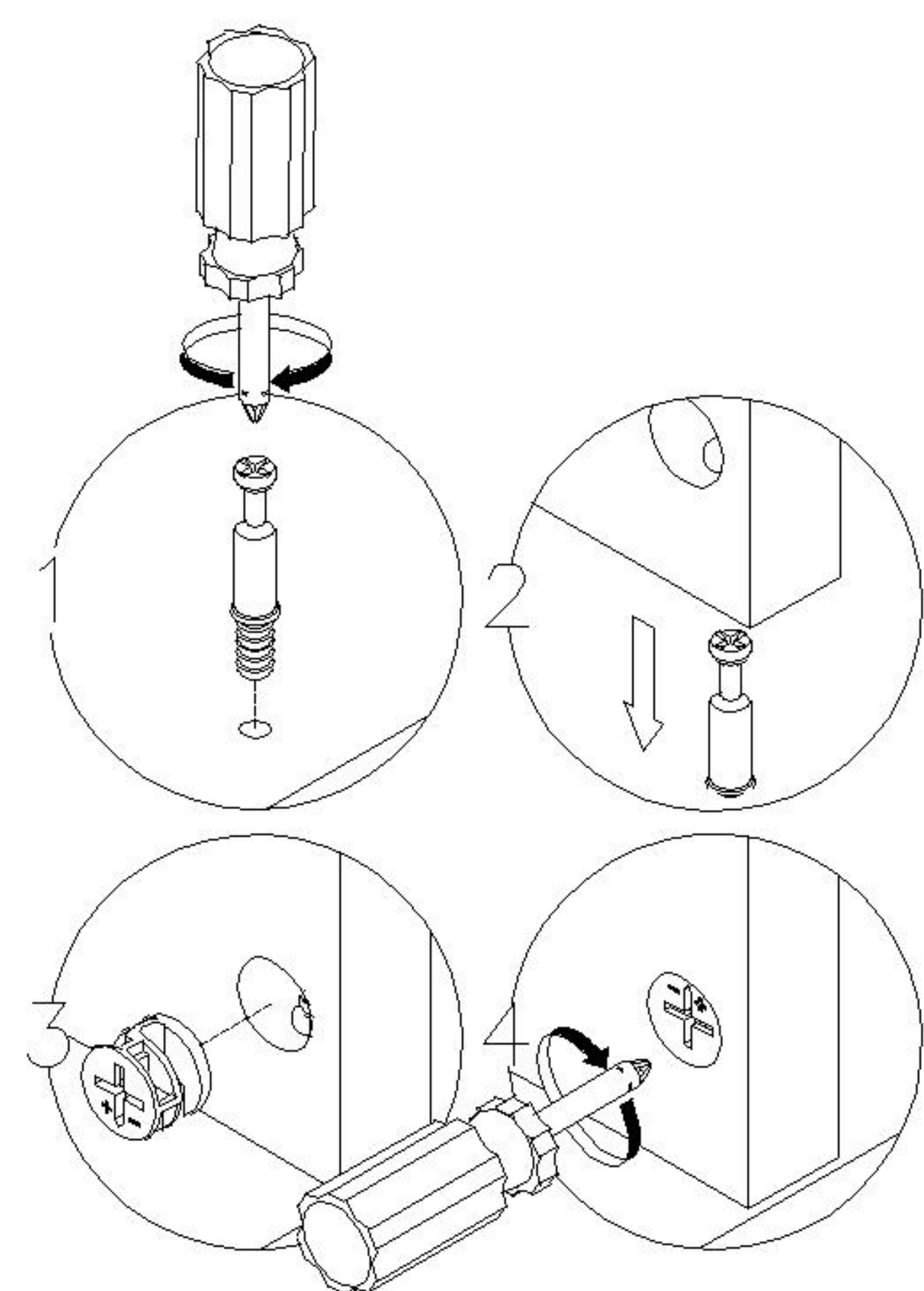
- (C)*4
- (D)*4
- (E)*4



4

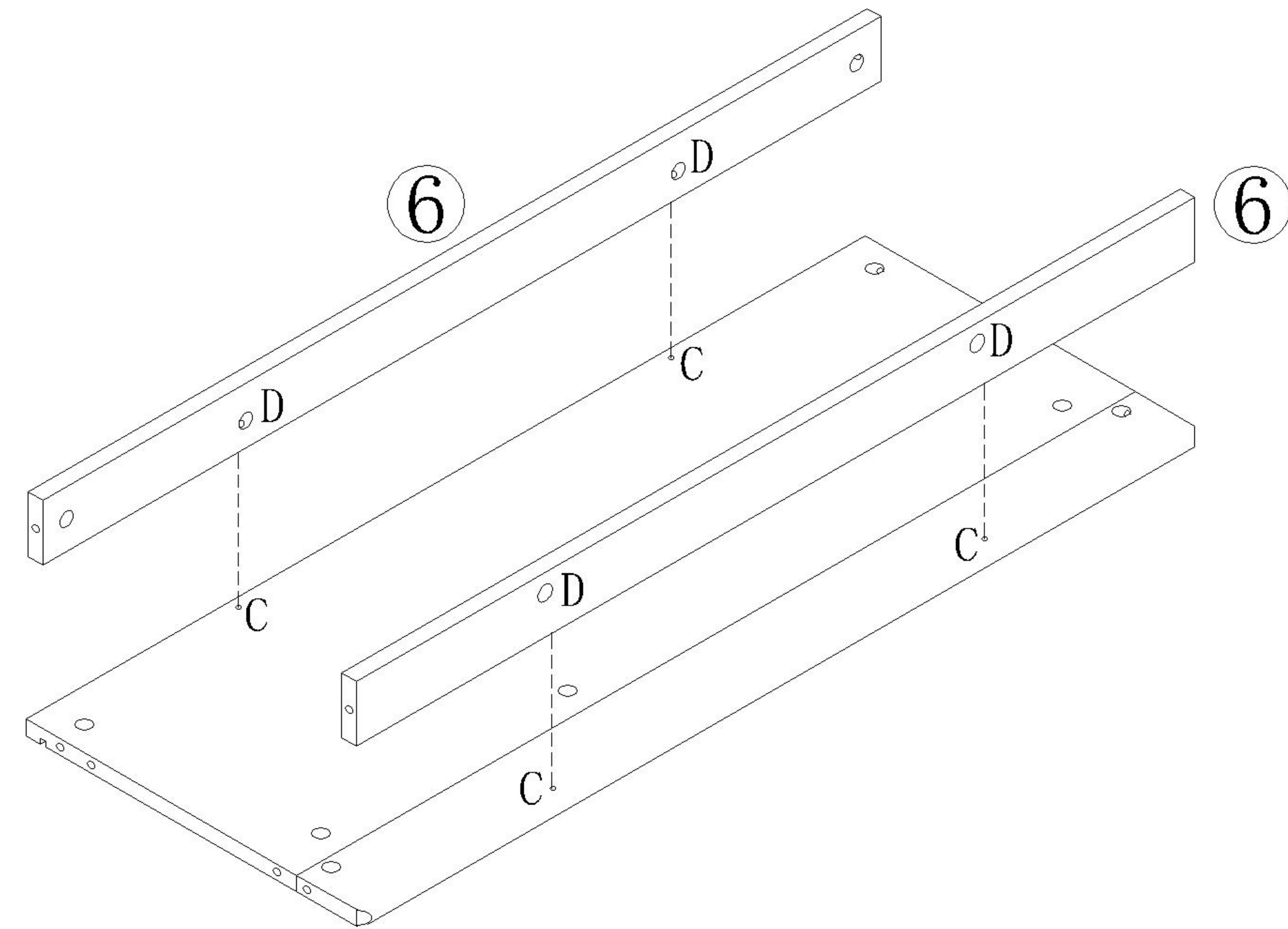
KQ1X-A

安装方法 Installation method

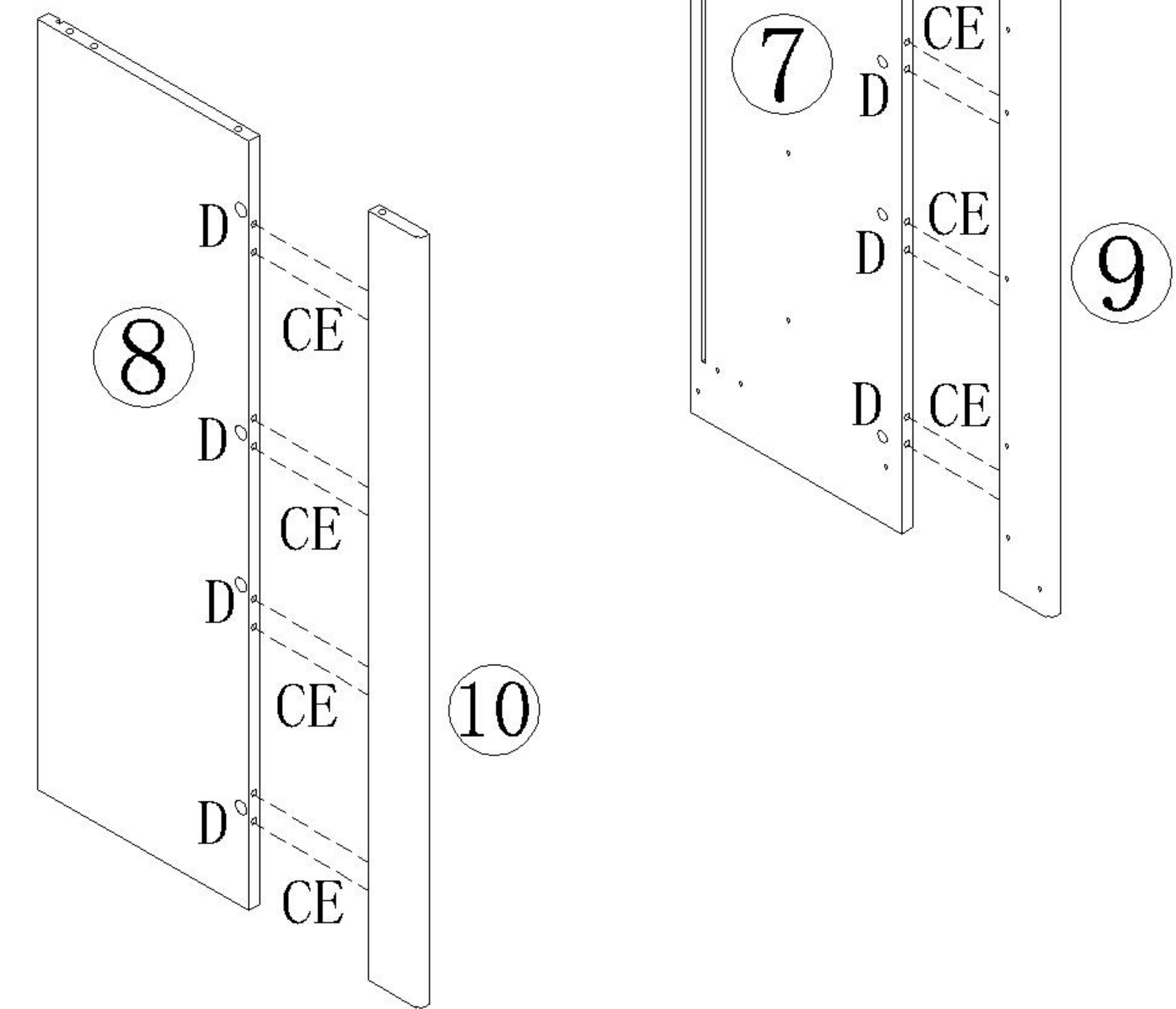


二合一
two-in-one

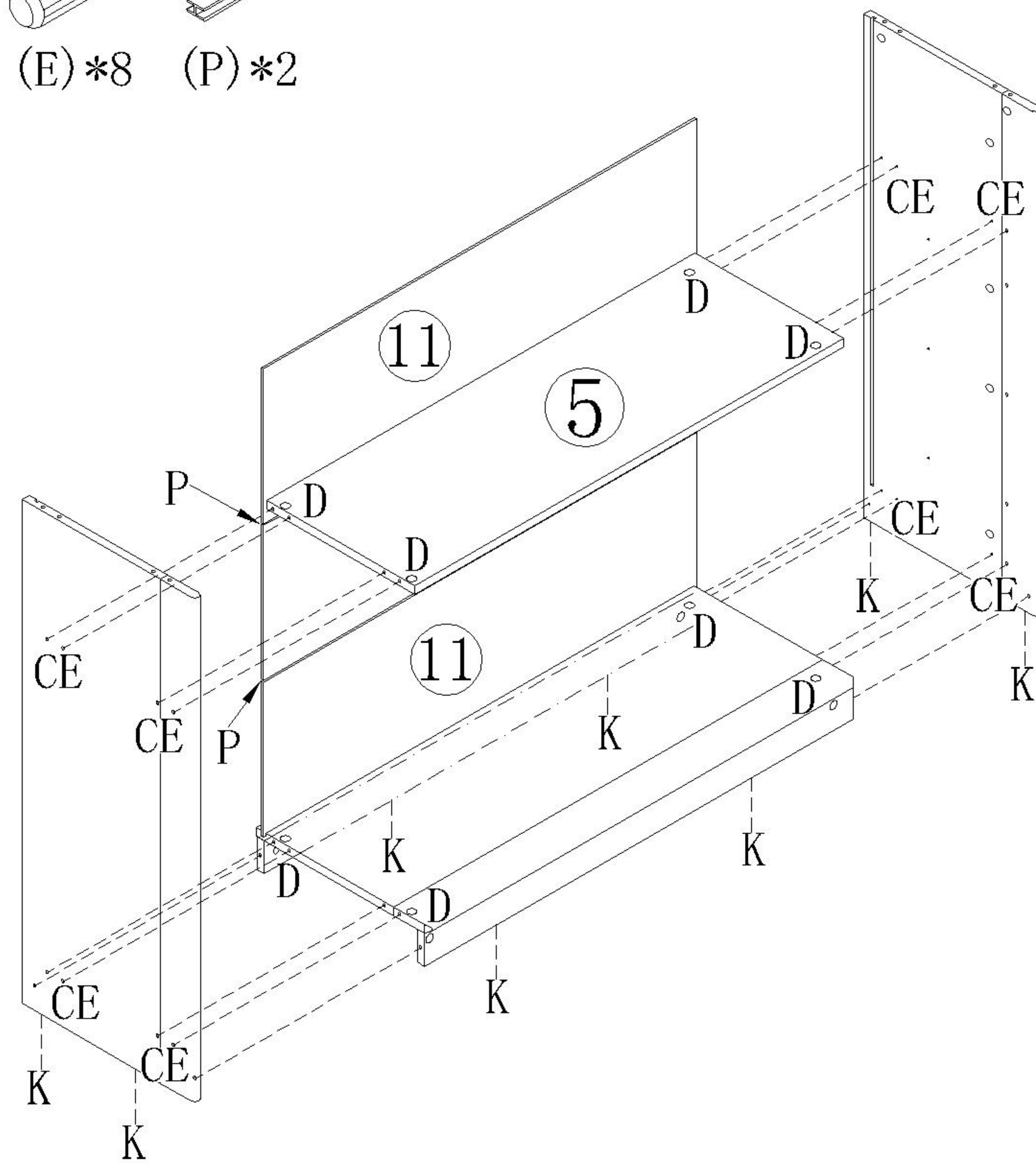
- (C)*4
- (D)*4



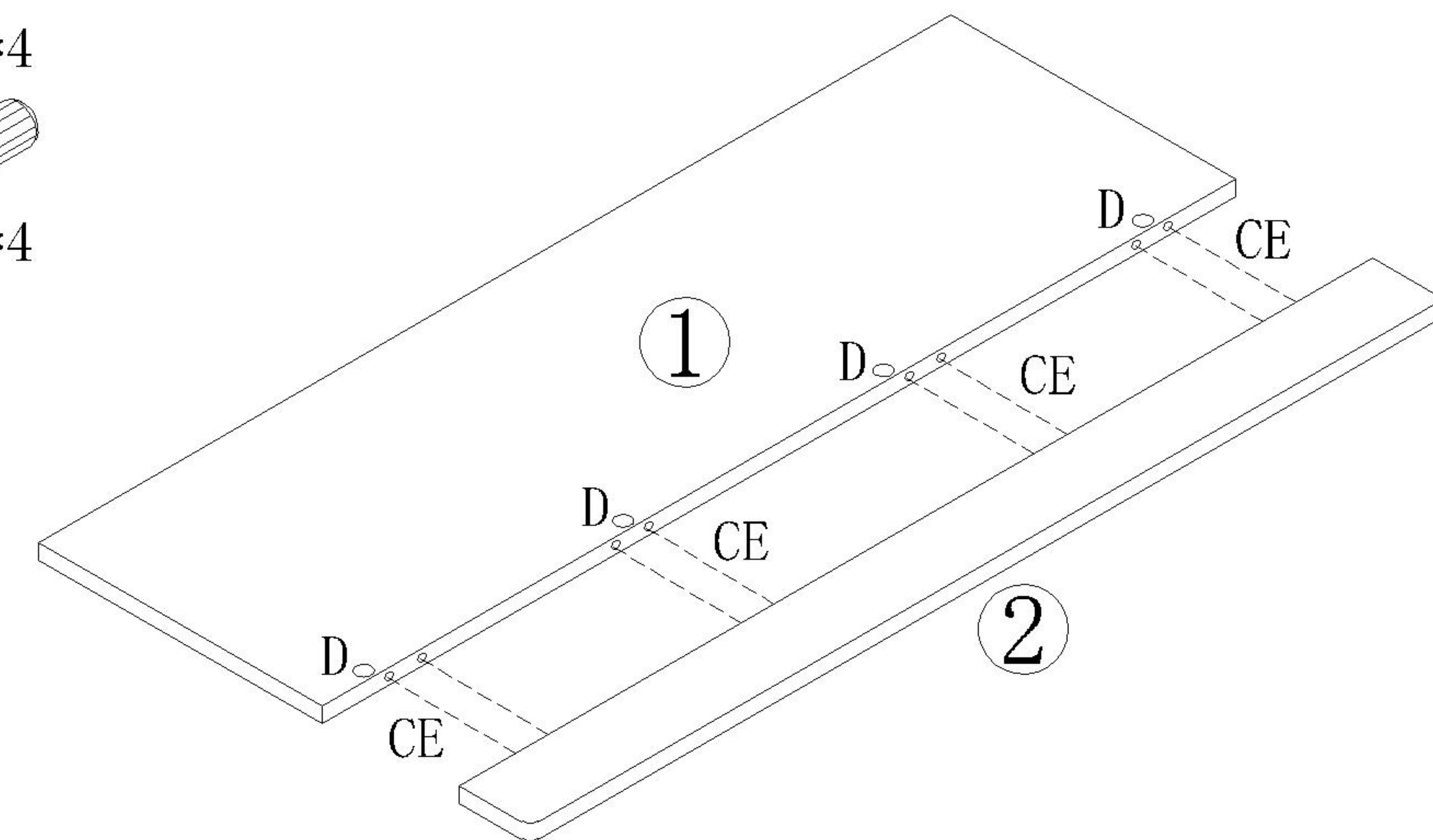
- (C)*8
- (D)*8
- (E)*8



- (C)*12
- (D)*12
- (E)*8
- (P)*2
- (K)*8

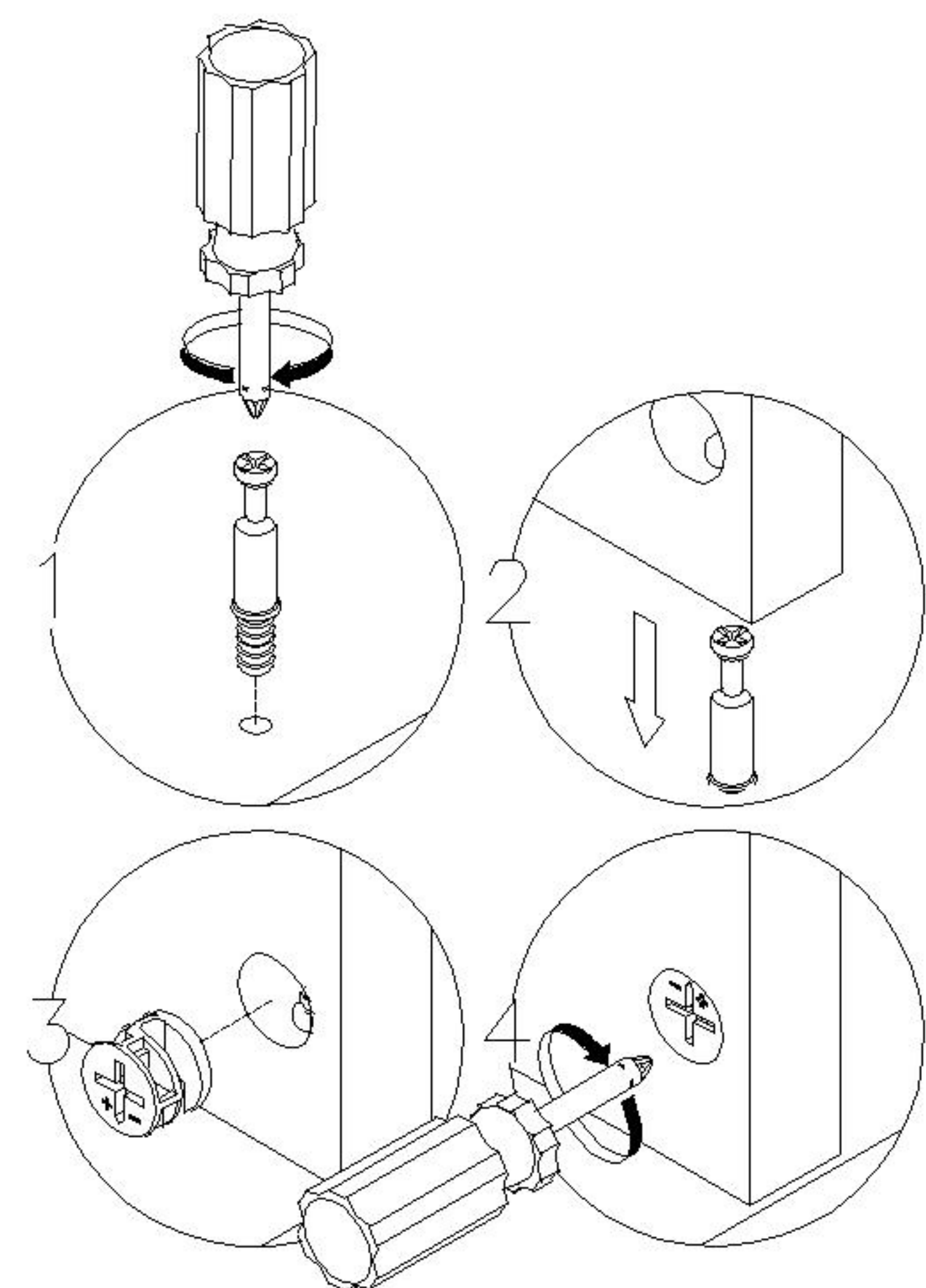


- (C)*4
- (D)*4
- (E)*4

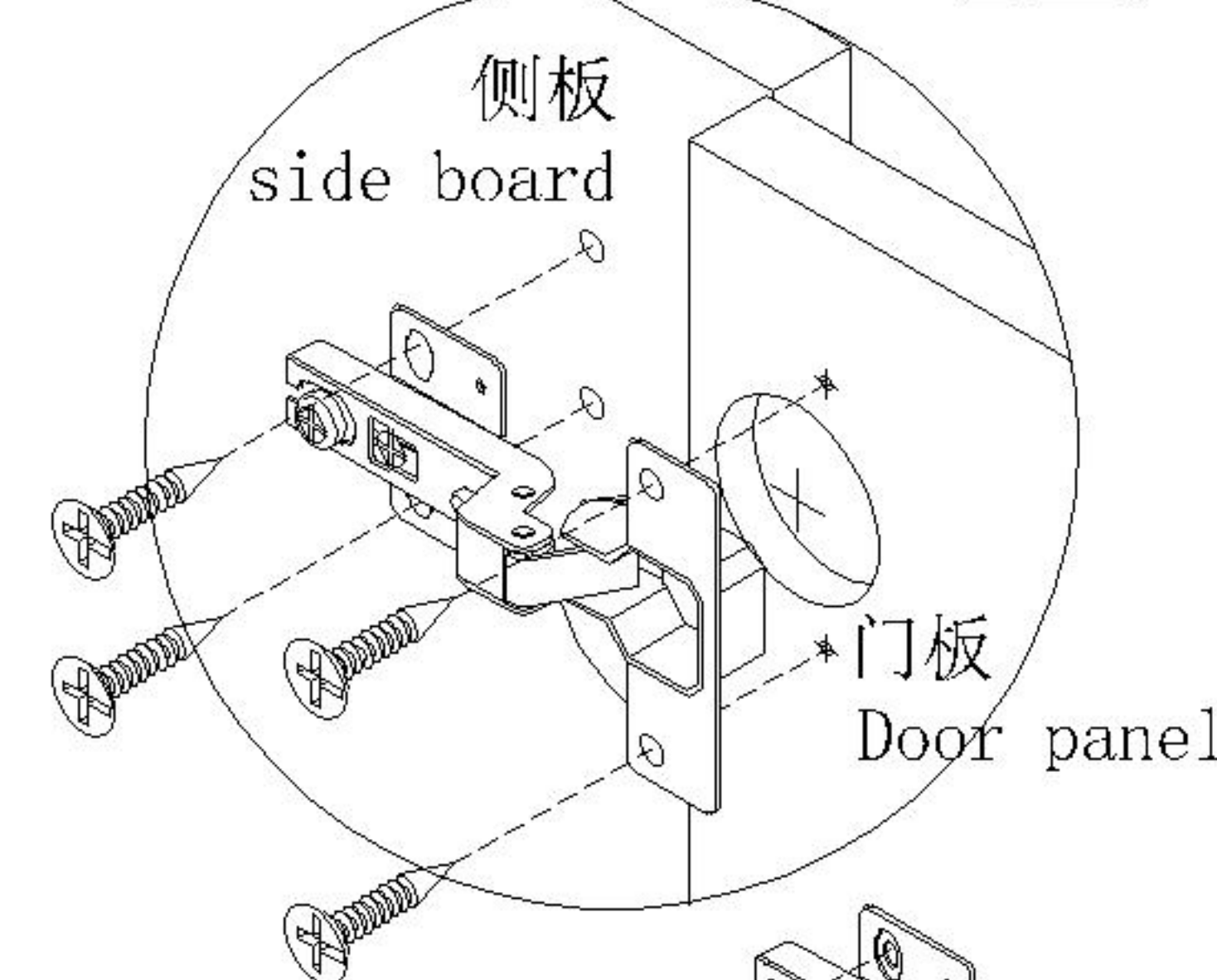
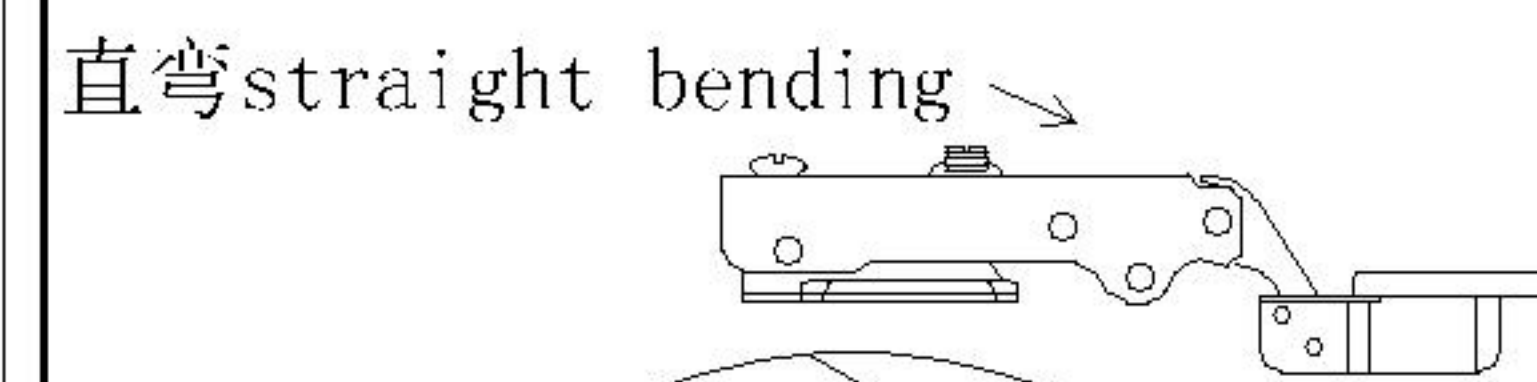
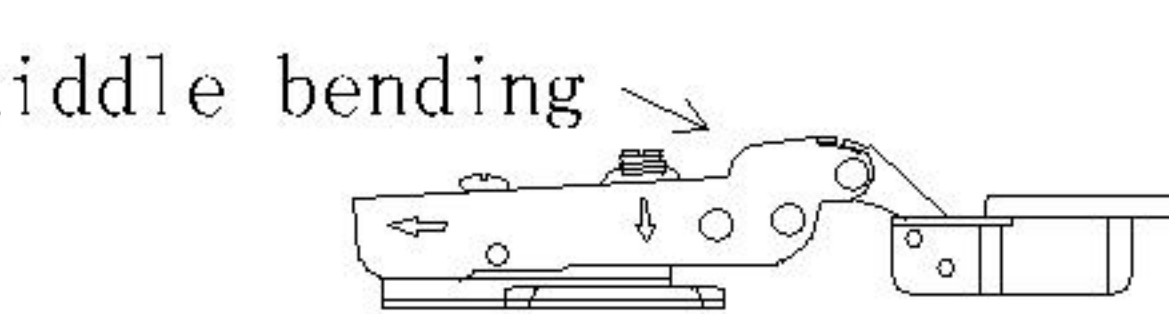
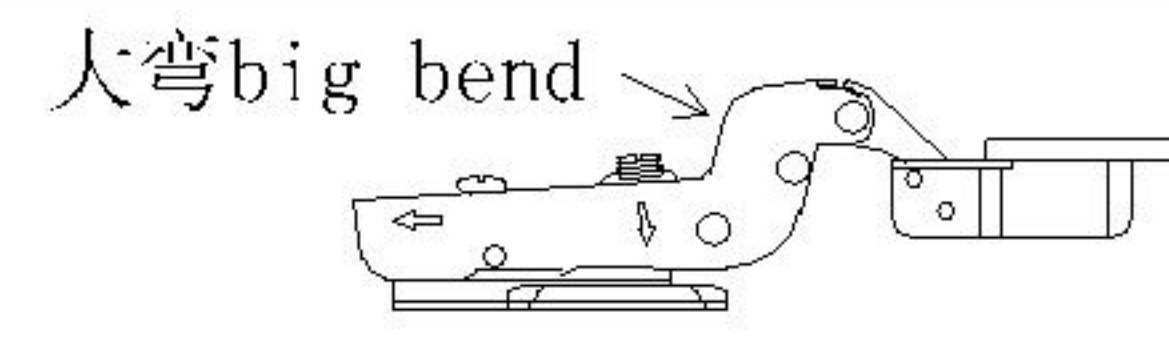


KQ1X-A

安装方法 Installation method



二合一
two-in-one



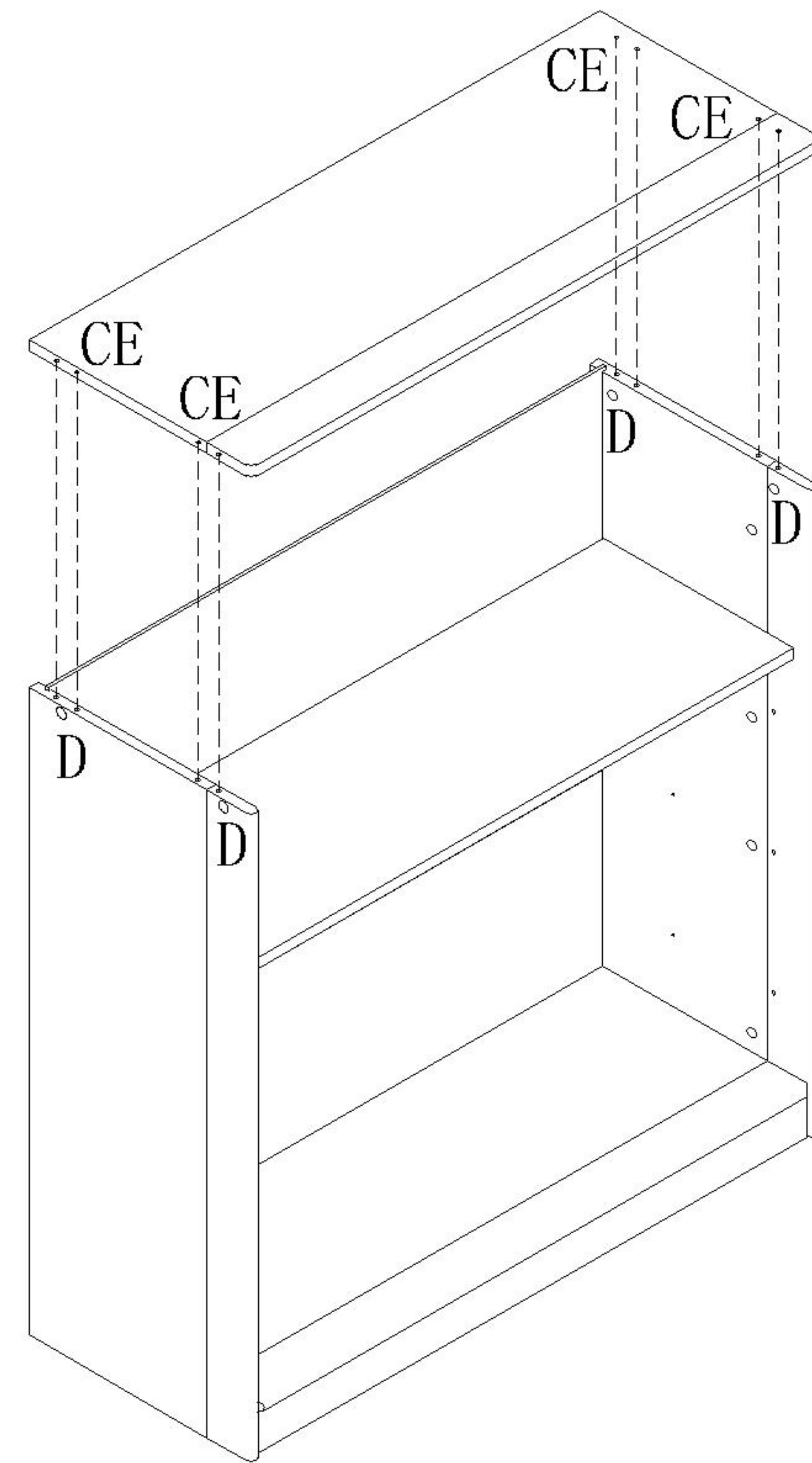
调节上下
Adjust up and down

调节左右
Adjust left and right

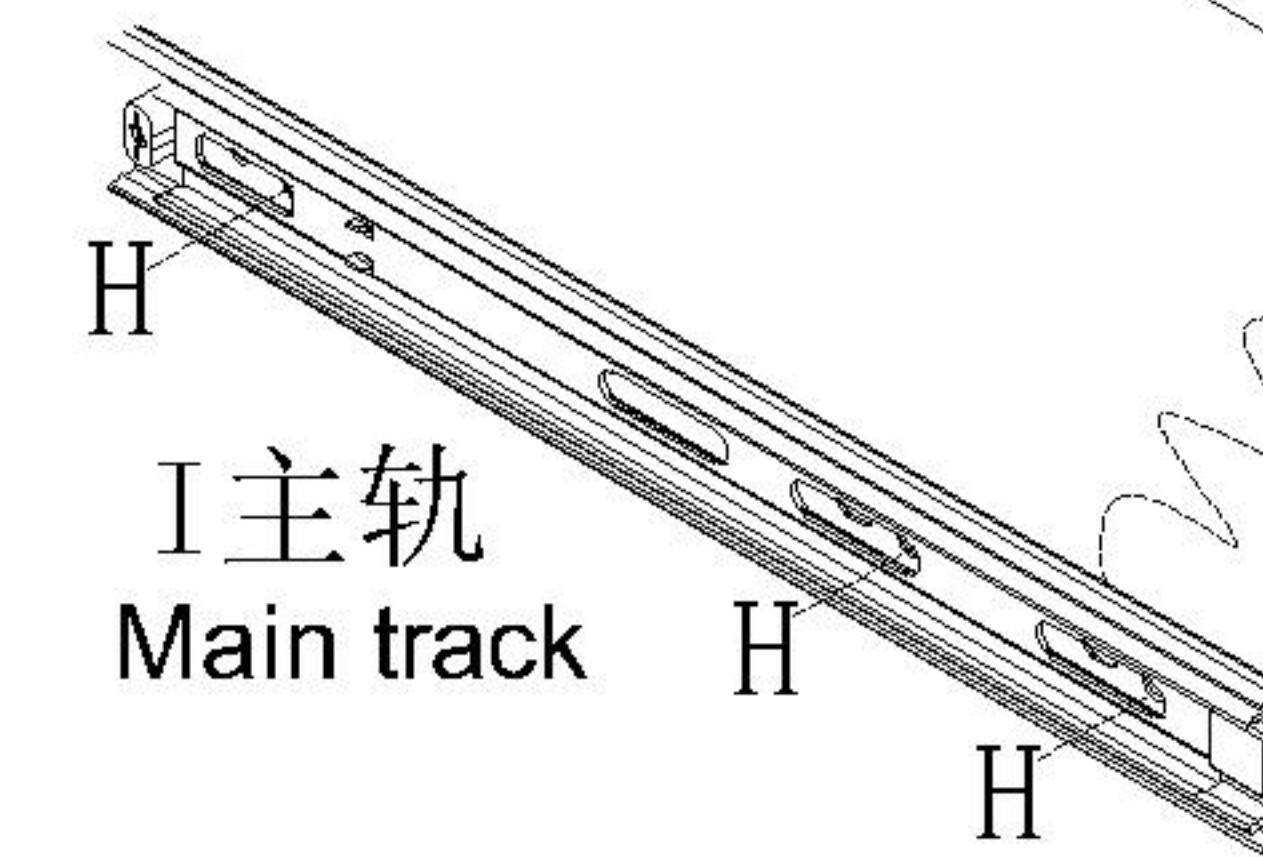
调节前后
Before and after adjustment

门铰
Hinge

- (C)*4
- (D)*4
- (E)*4

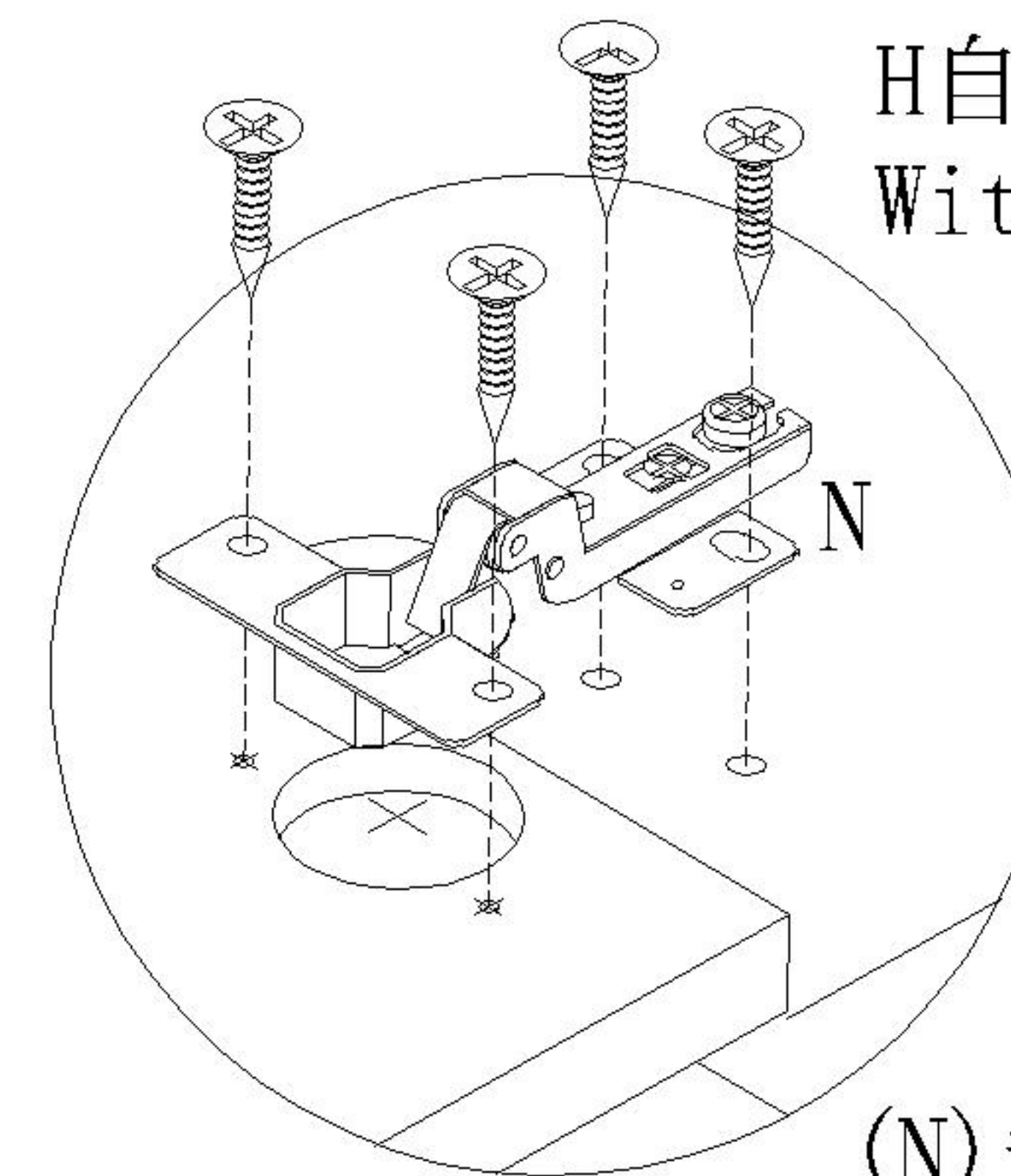
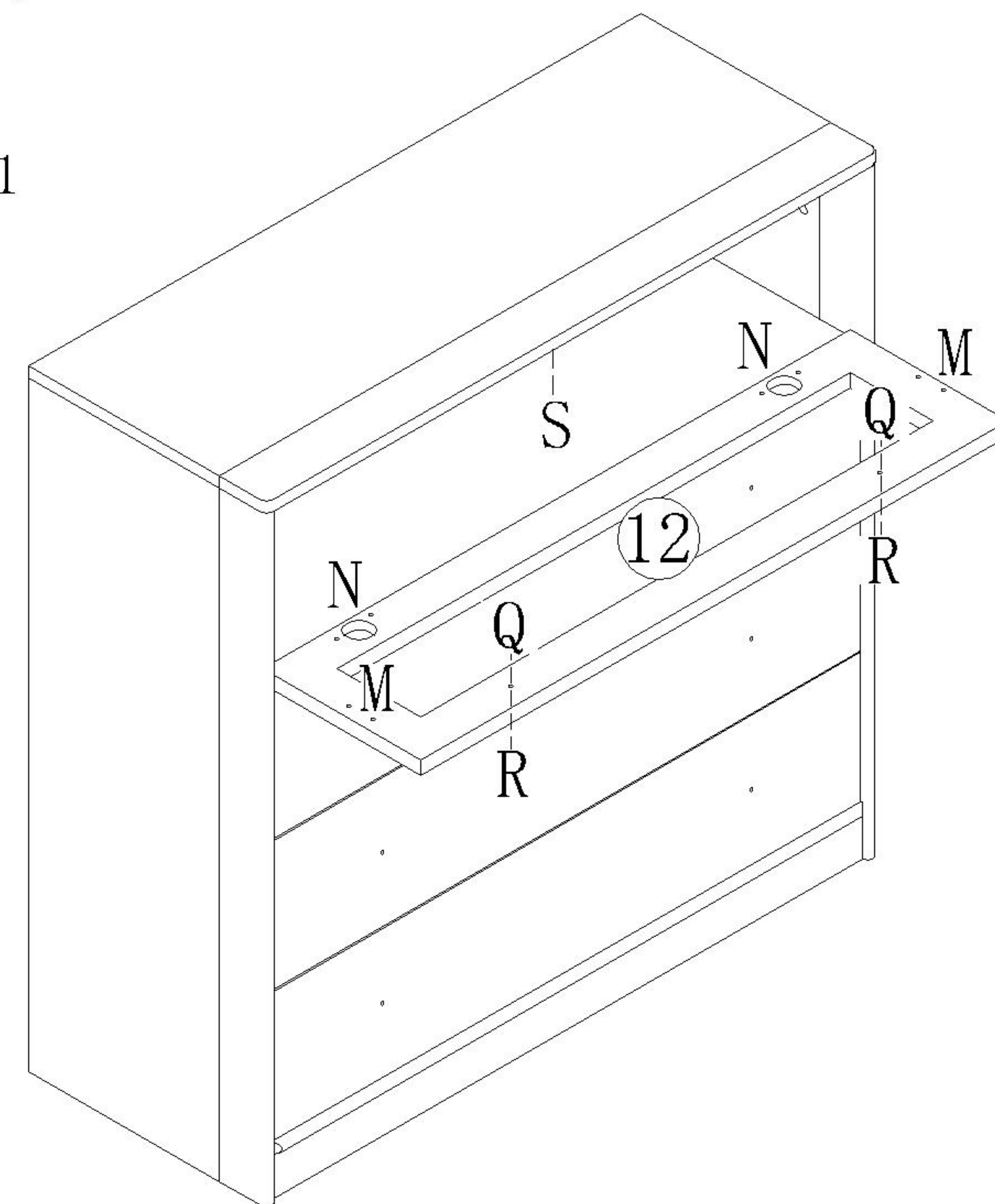


- (I)*3
- (H)*18



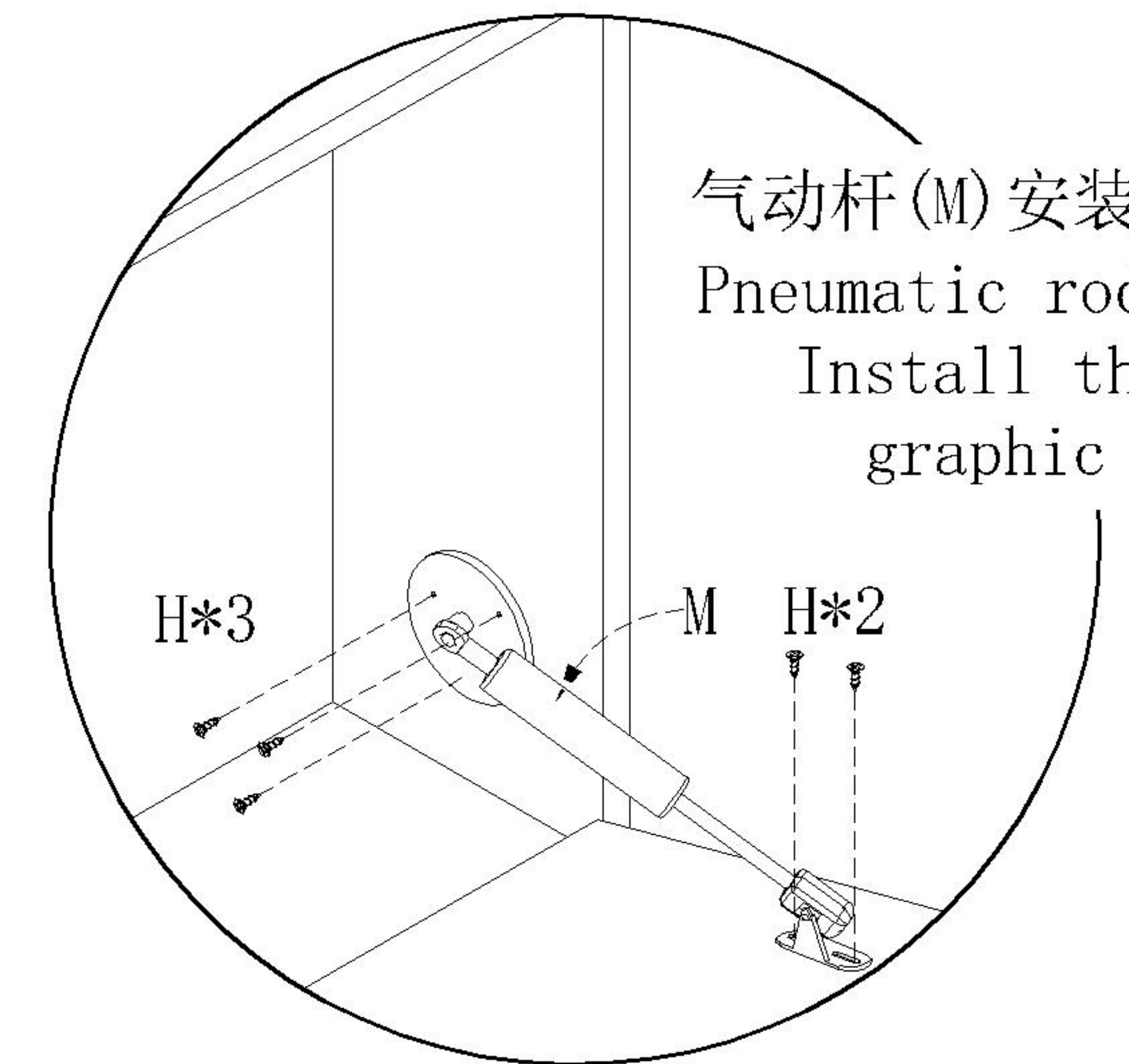
I主轨
Main track

- (N)*2
- (M)*2
- (H)*10
- (Q)*2
- (R)*2
- (S)*1



H自带螺丝
With screw

(N) 安装图示
(N) Installation diagram



气动杆(M) 安装图示
Pneumatic rod (M)
Install the graphic

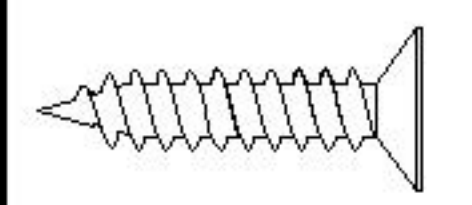
警告:门板与门板有设计所需的开启间隙,小心夹伤。
Warning: The door panel and the door panel have the required opening clearance, be careful of clamping injury.

KQ1X-A

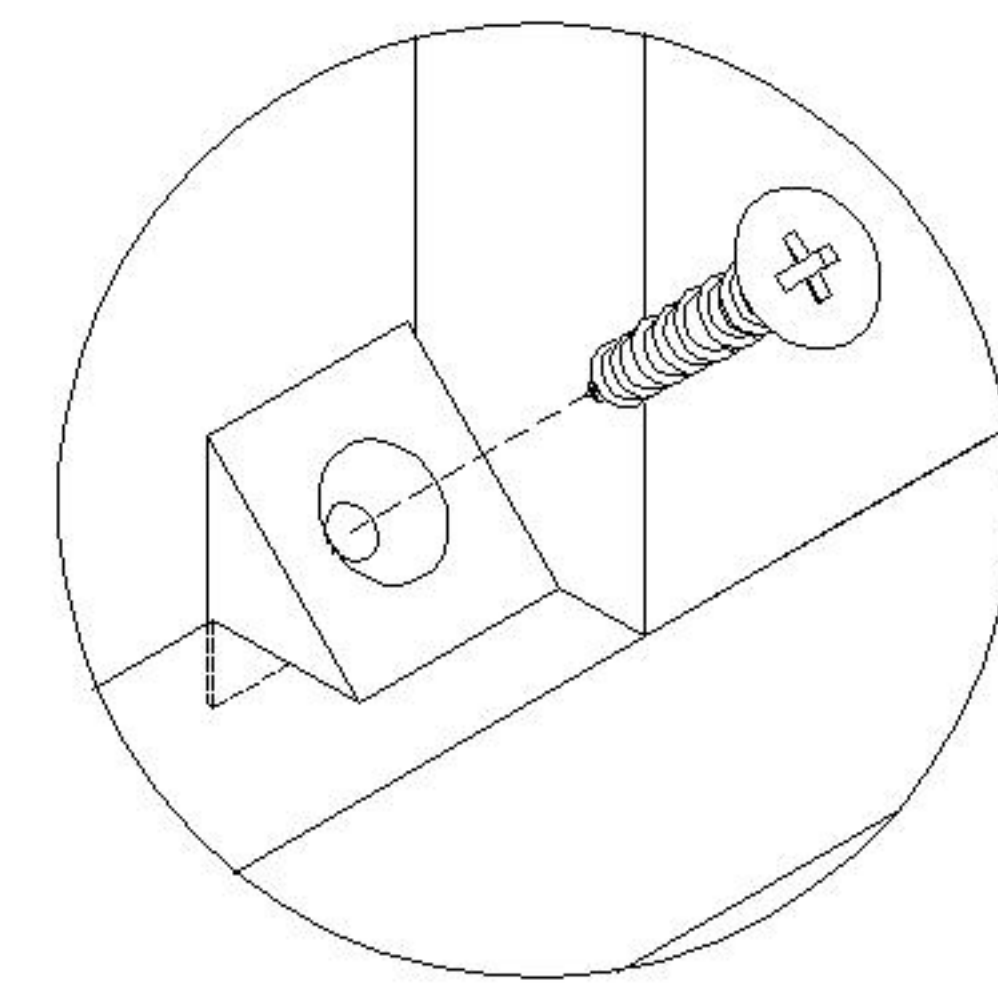
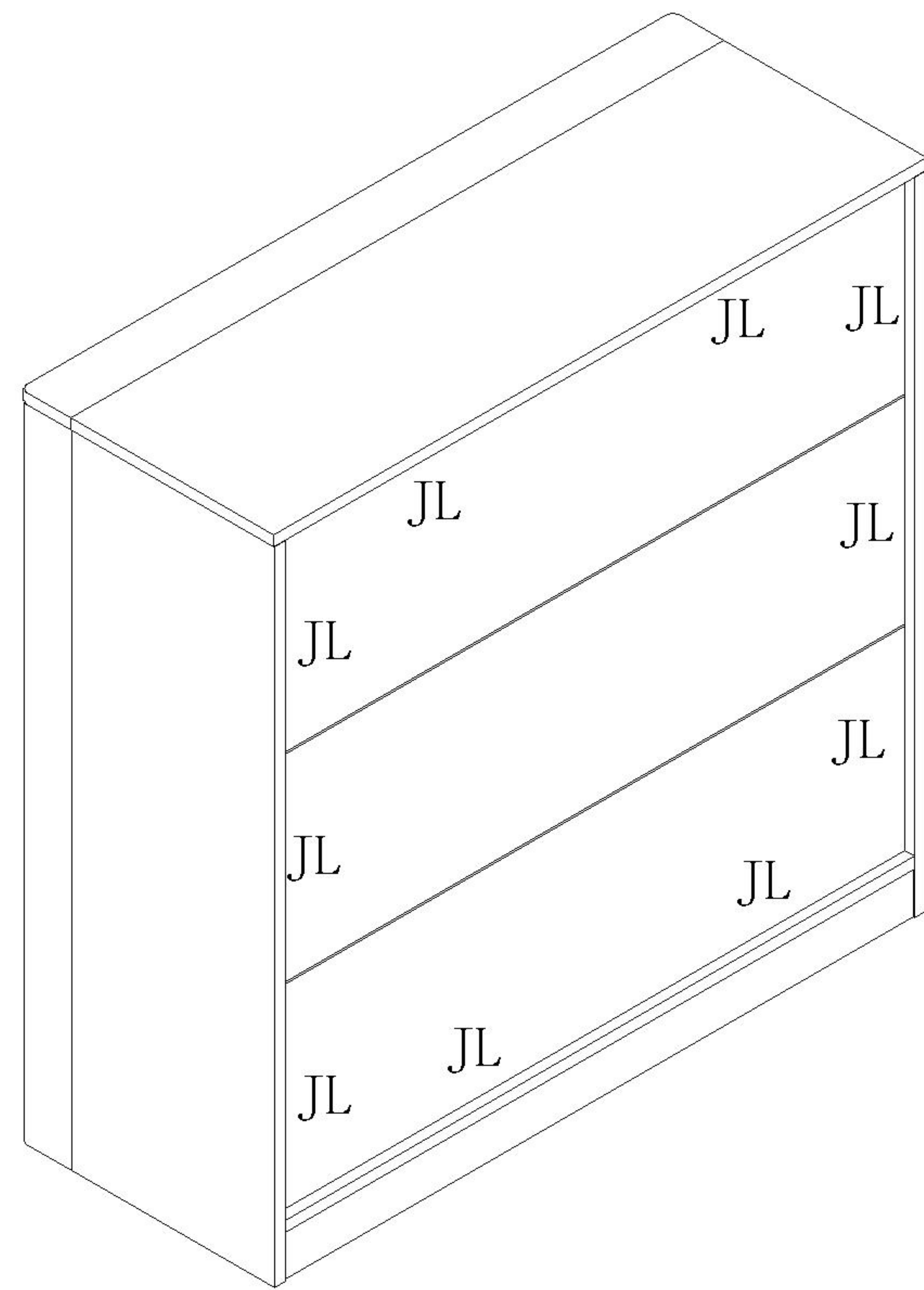
12

安装方法
Installation method

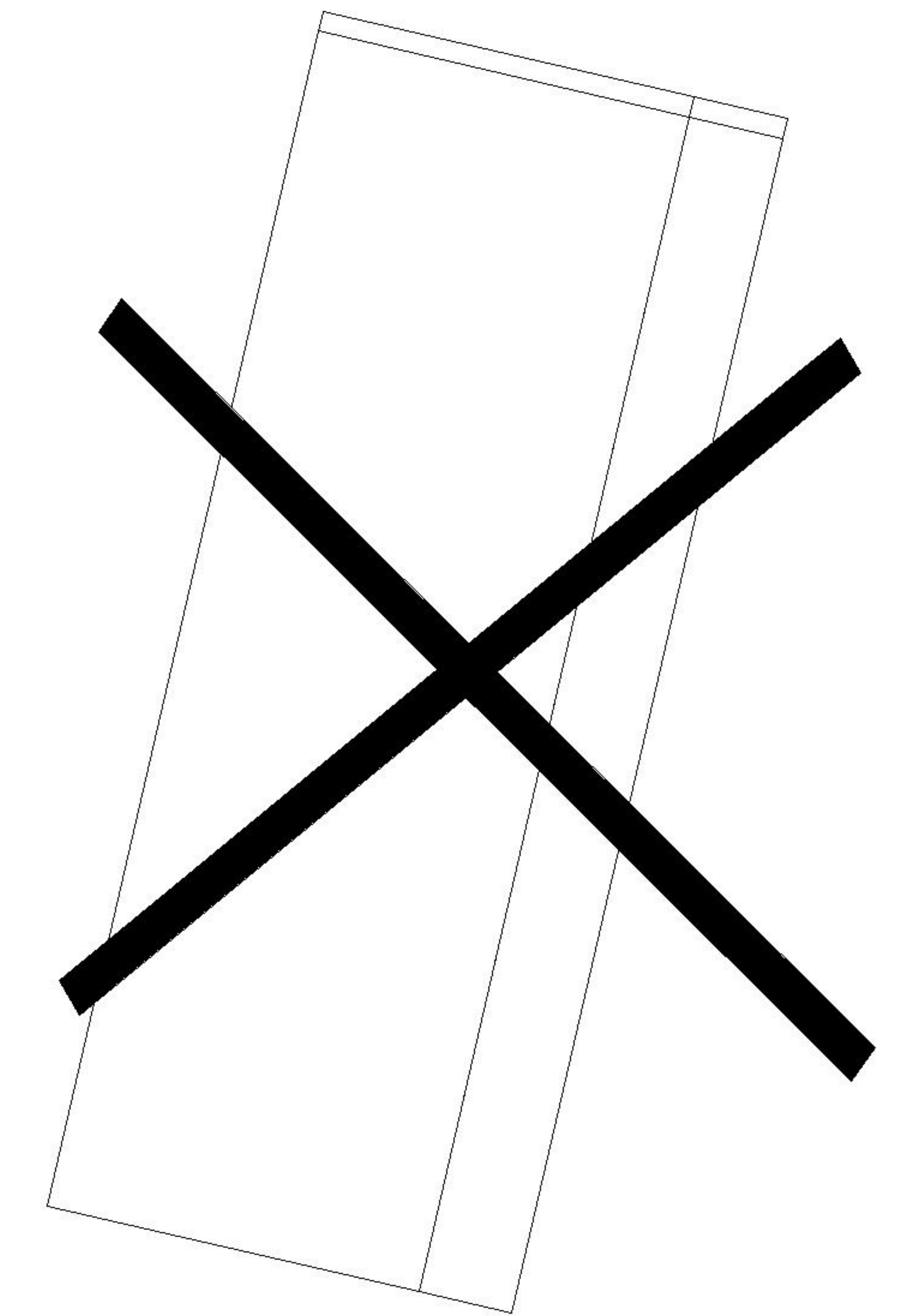
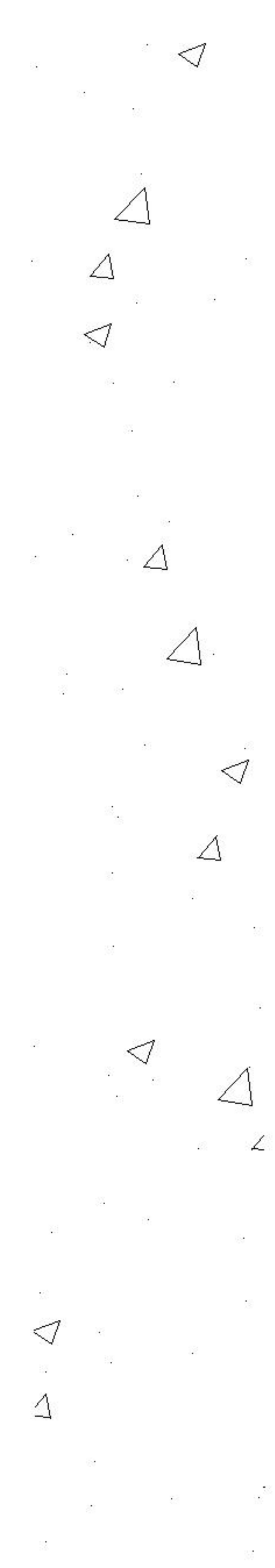
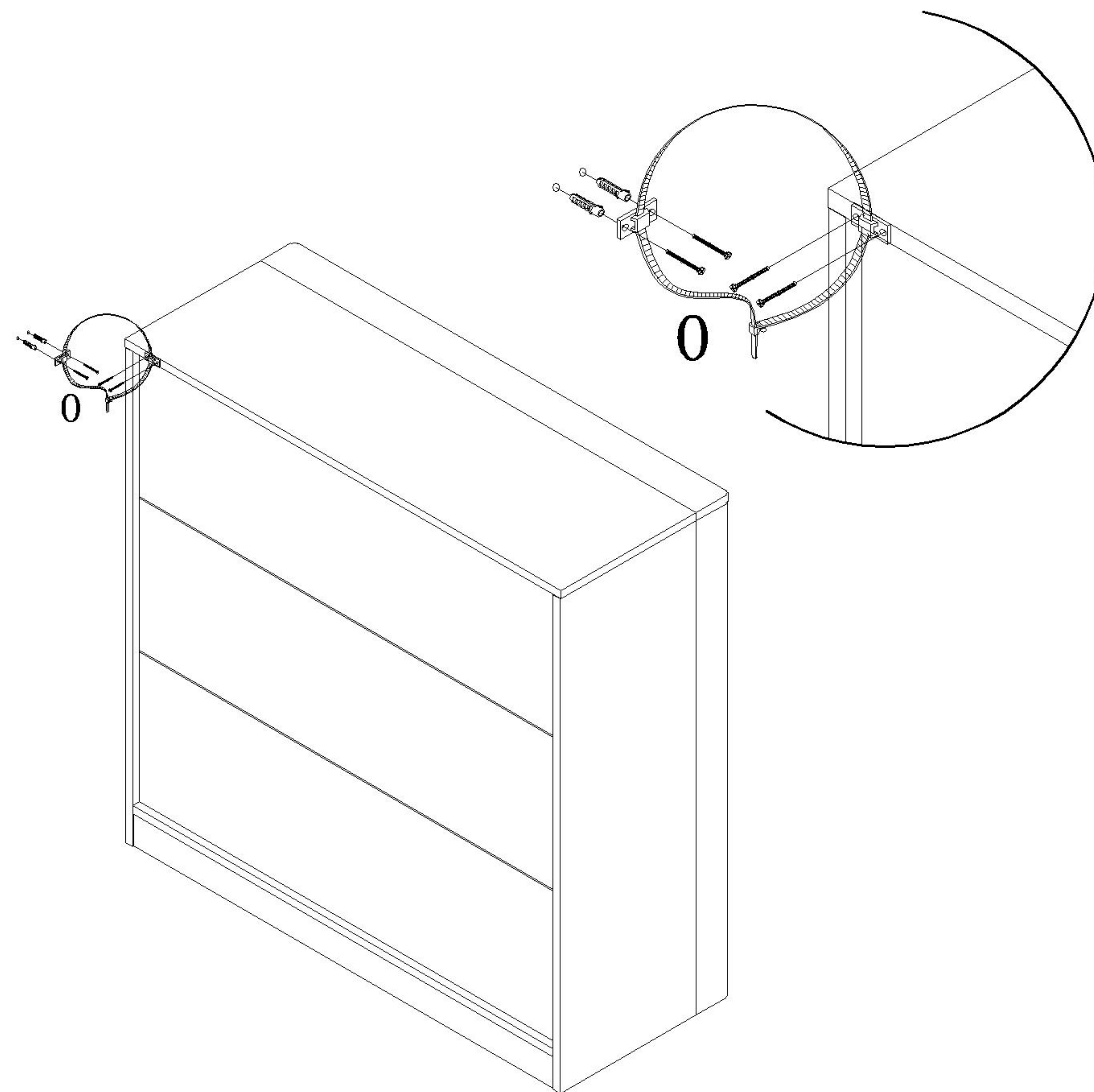
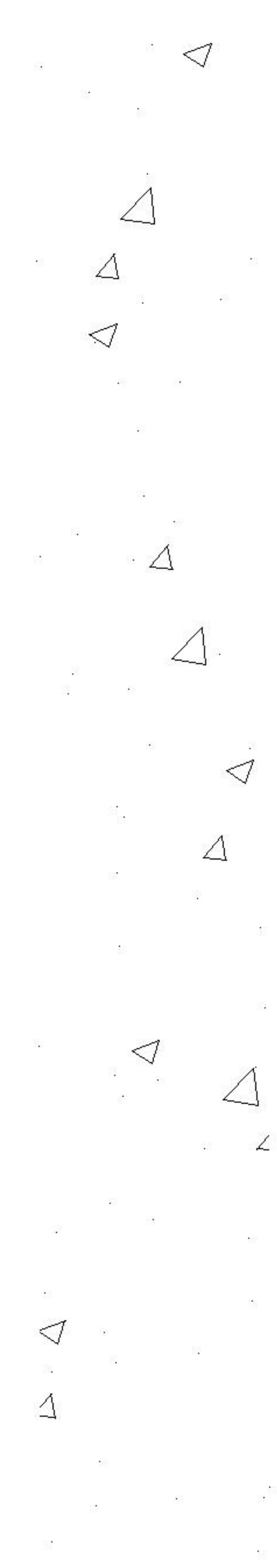
(J)*10



(L)*10



(O)*1



13