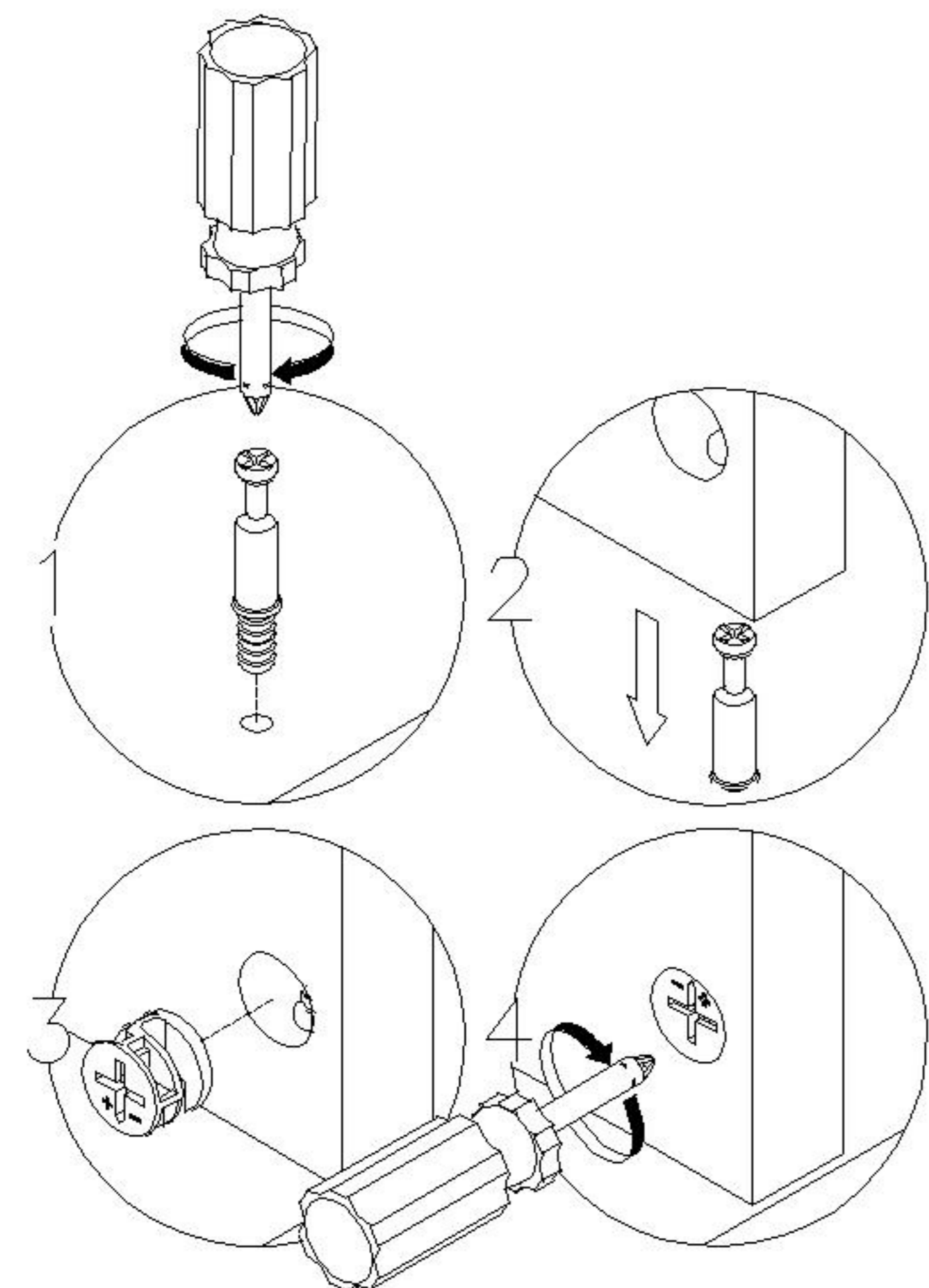


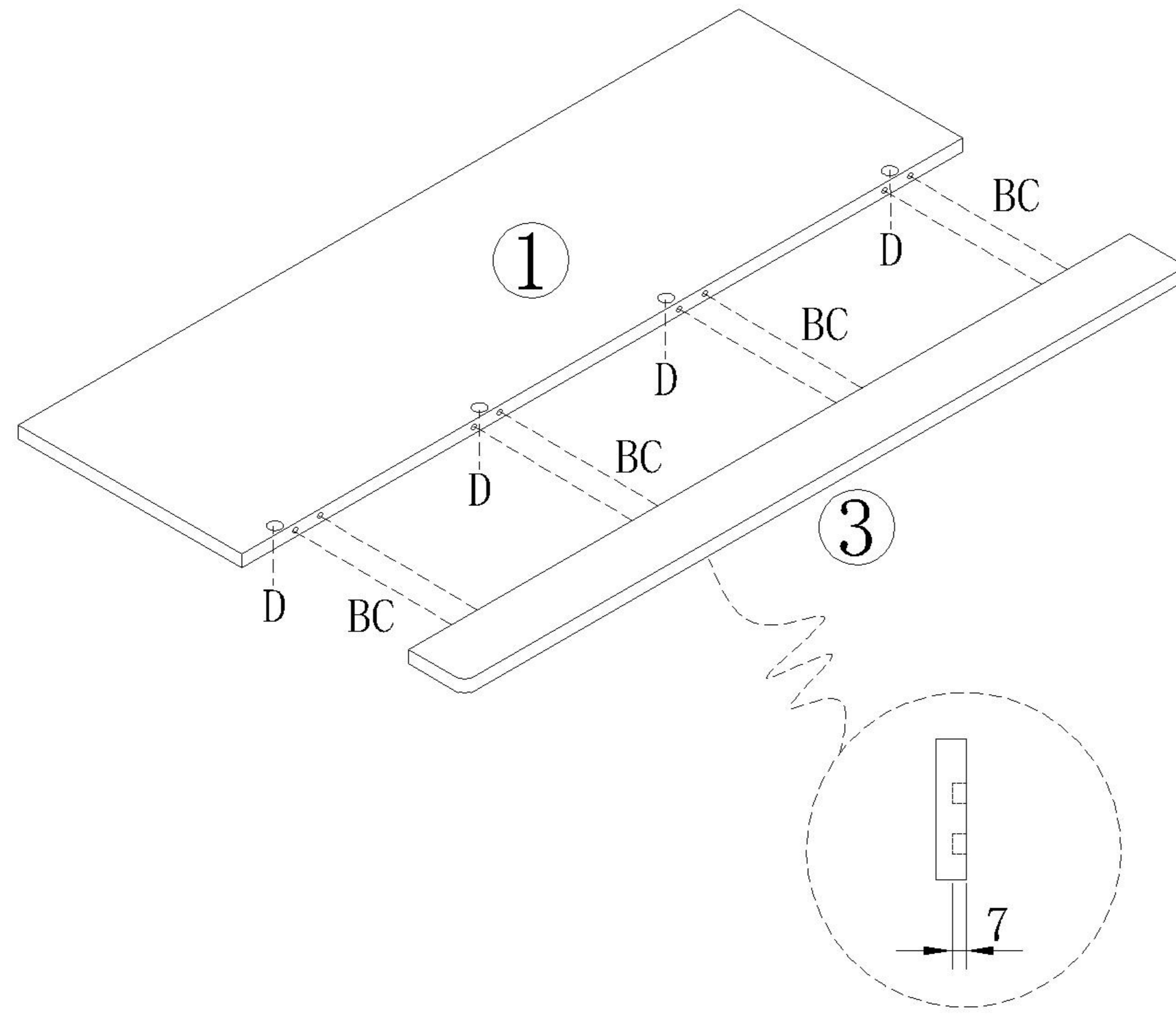
KQ3X-A

安装方法 Installation method

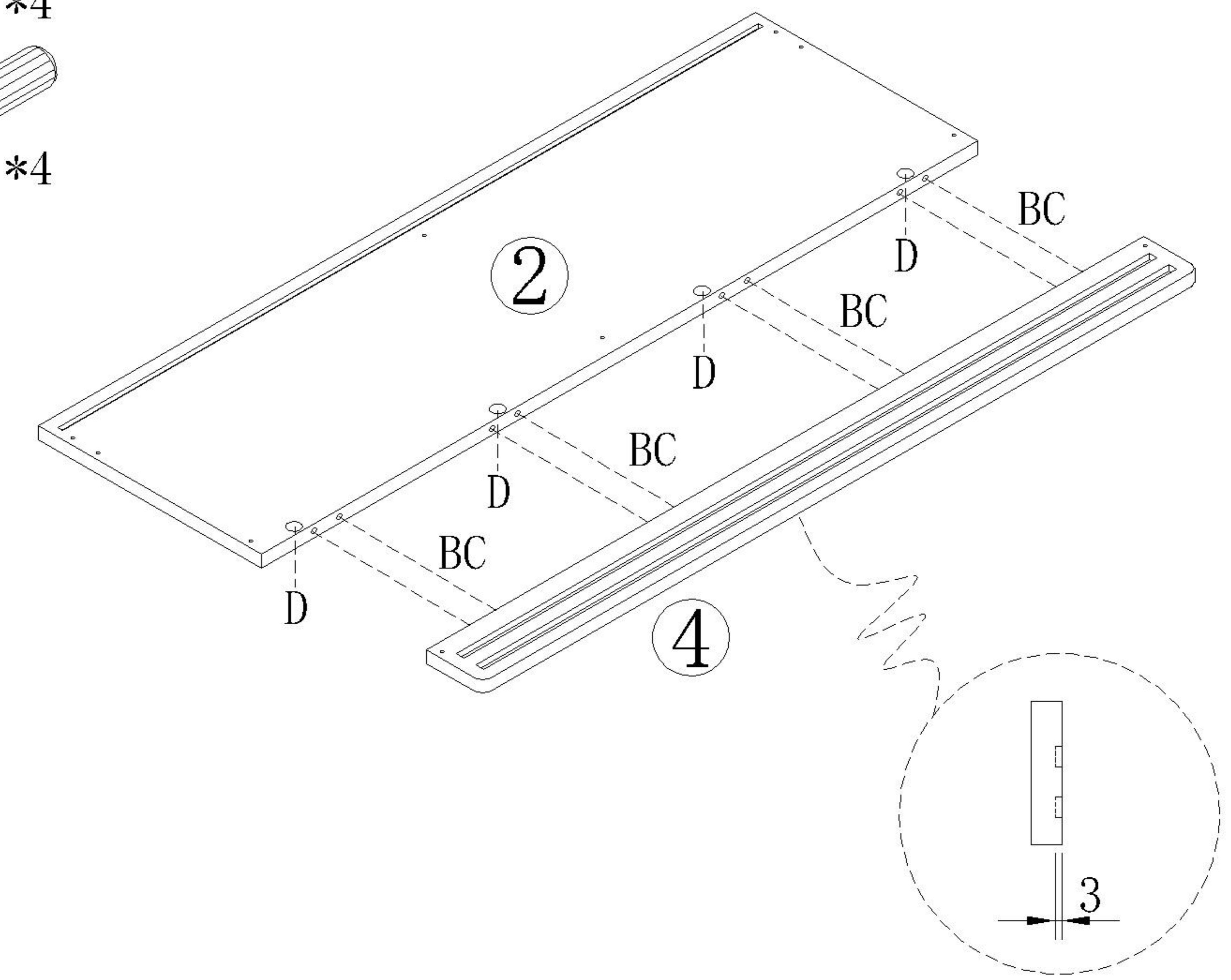


二合一
two-in-one

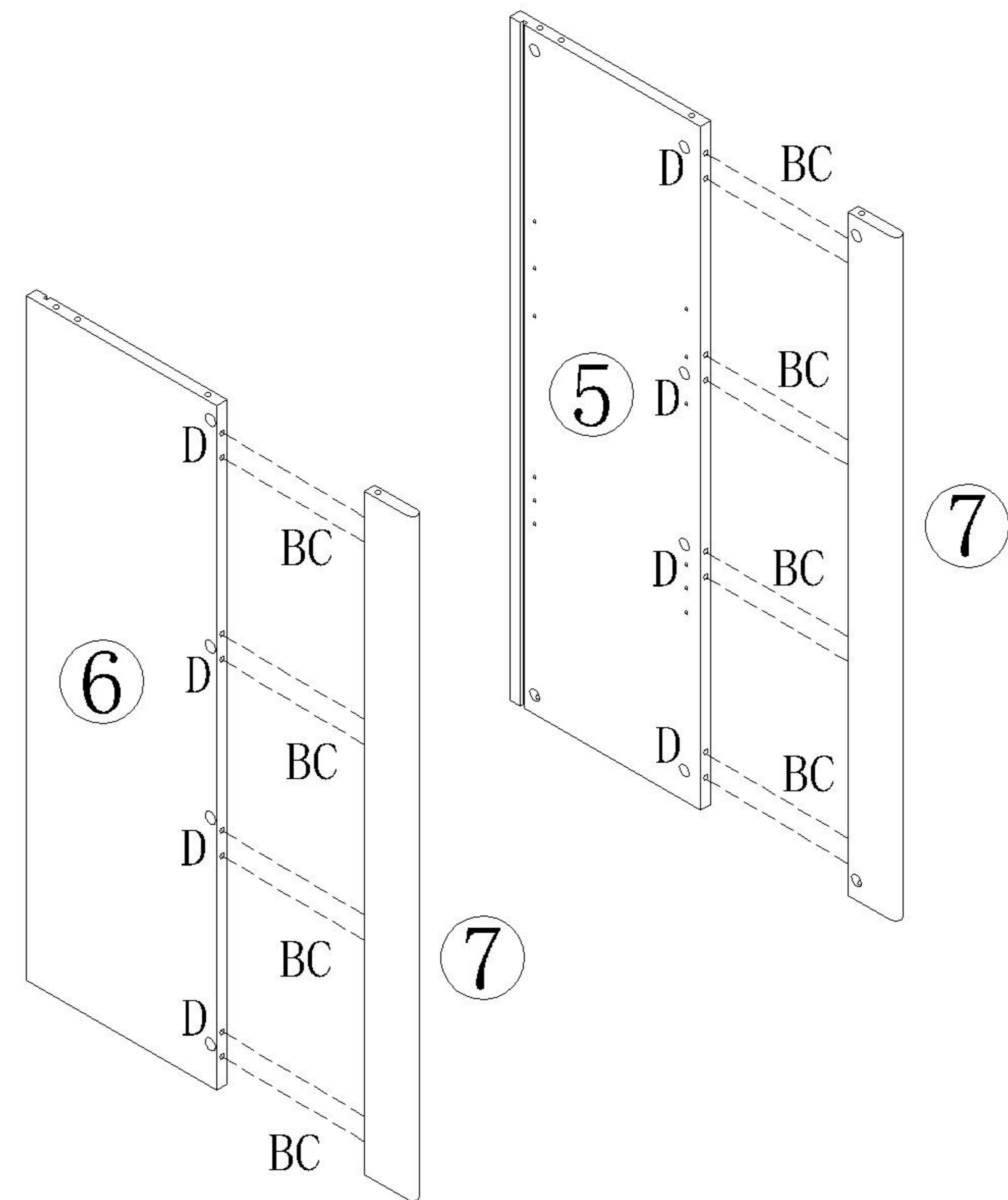
- (C)*4
- (D)*4
- (B)*4



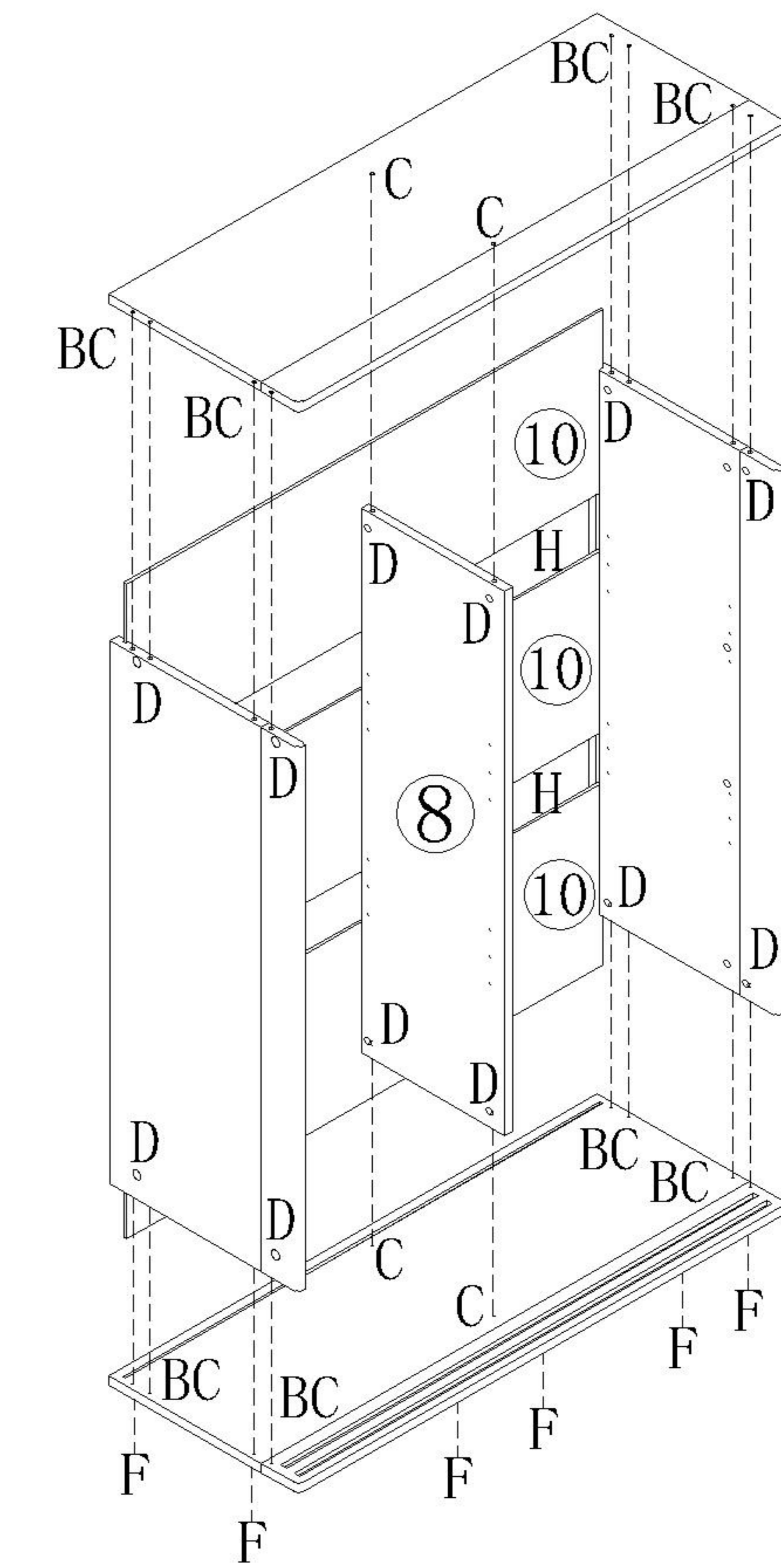
- (C)*4
- (D)*4
- (B)*4



- (C)*8
- (D)*8
- (B)*8



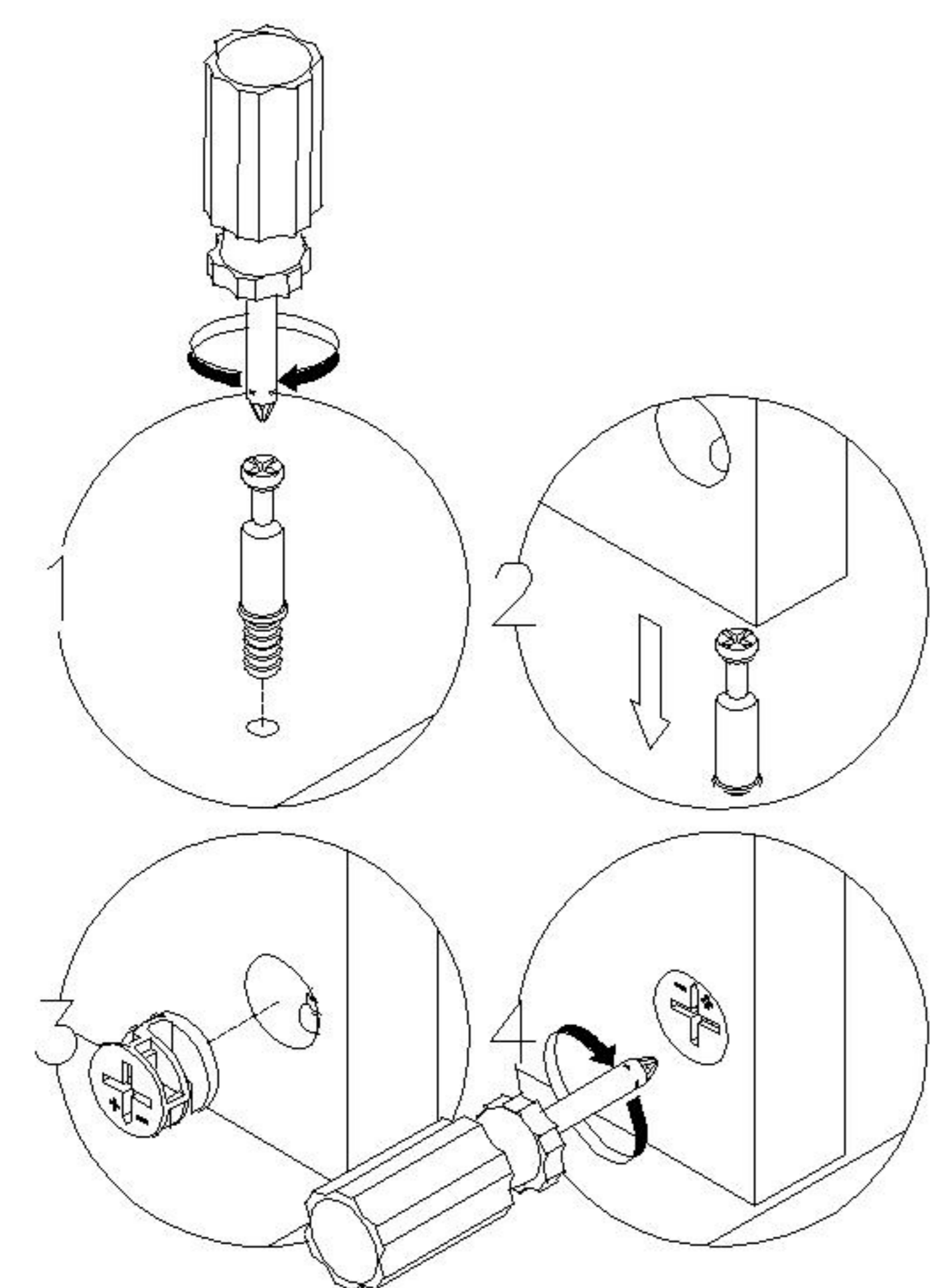
- (C)*12
- (D)*12
- (B)*8
- (H)*2
- (F)*6



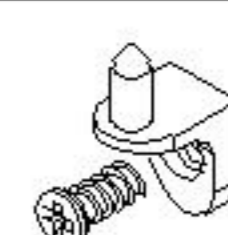
如购买下柜不使用五金F
If you do not use hardware F when purchasing the lower cabinet

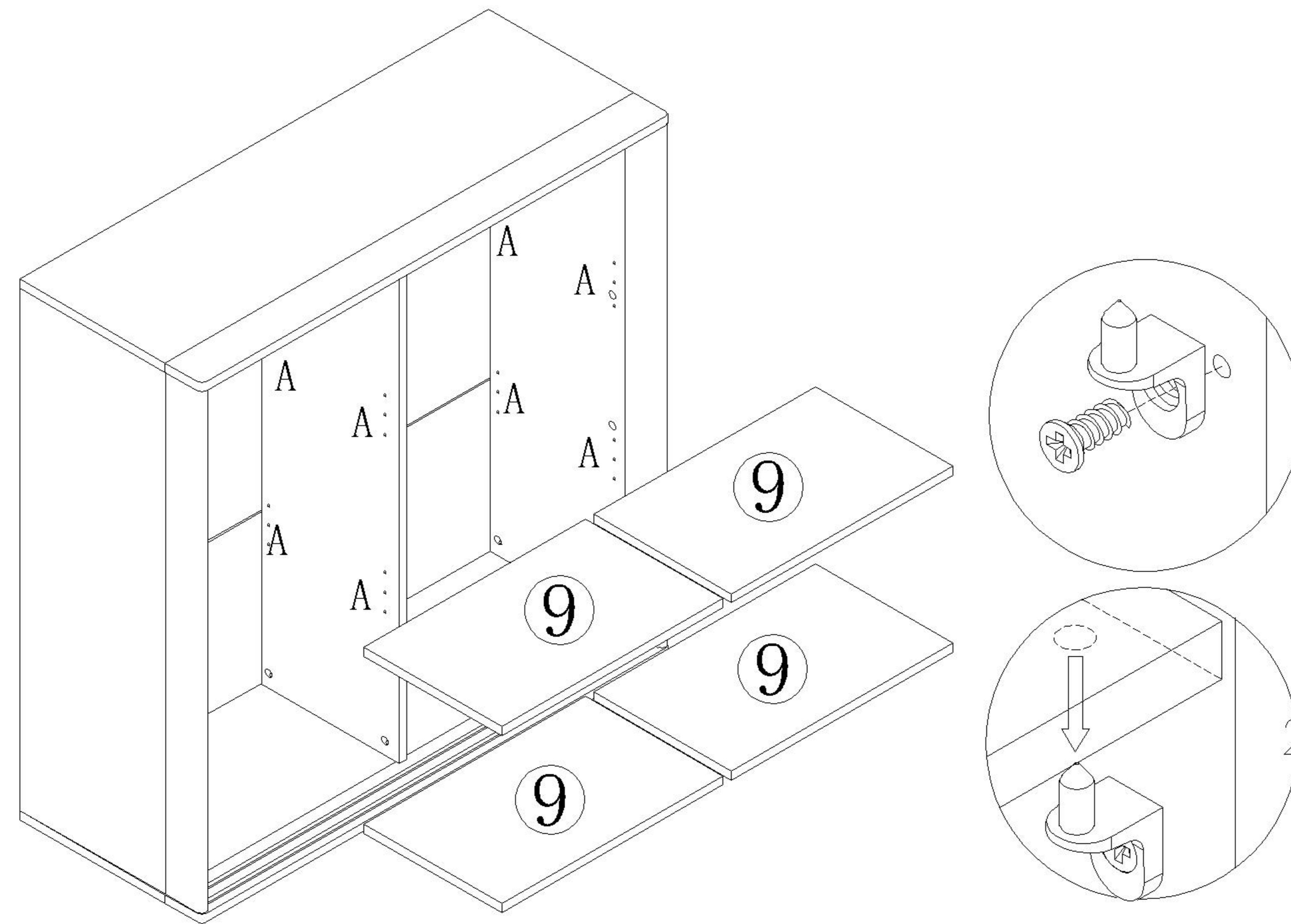
KQ3X-A

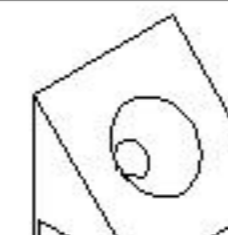
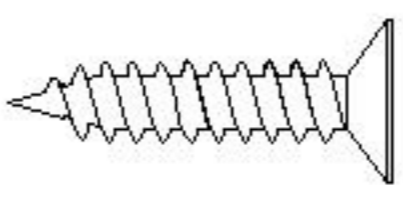
安装方法 Installation method

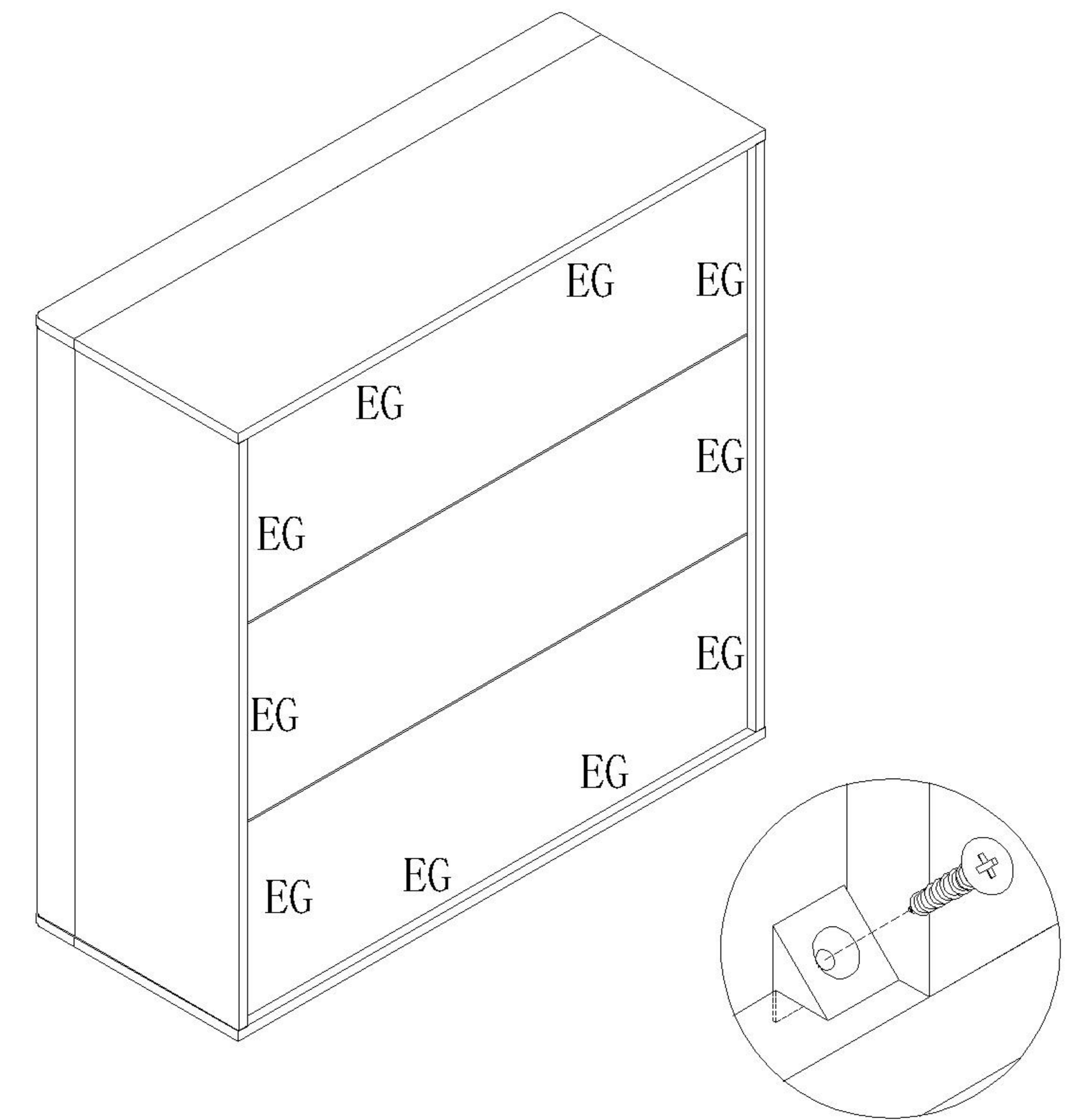


二合一
two-in-one

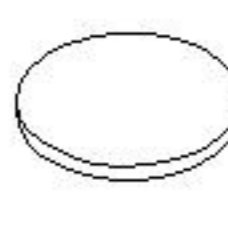
 (A)*16

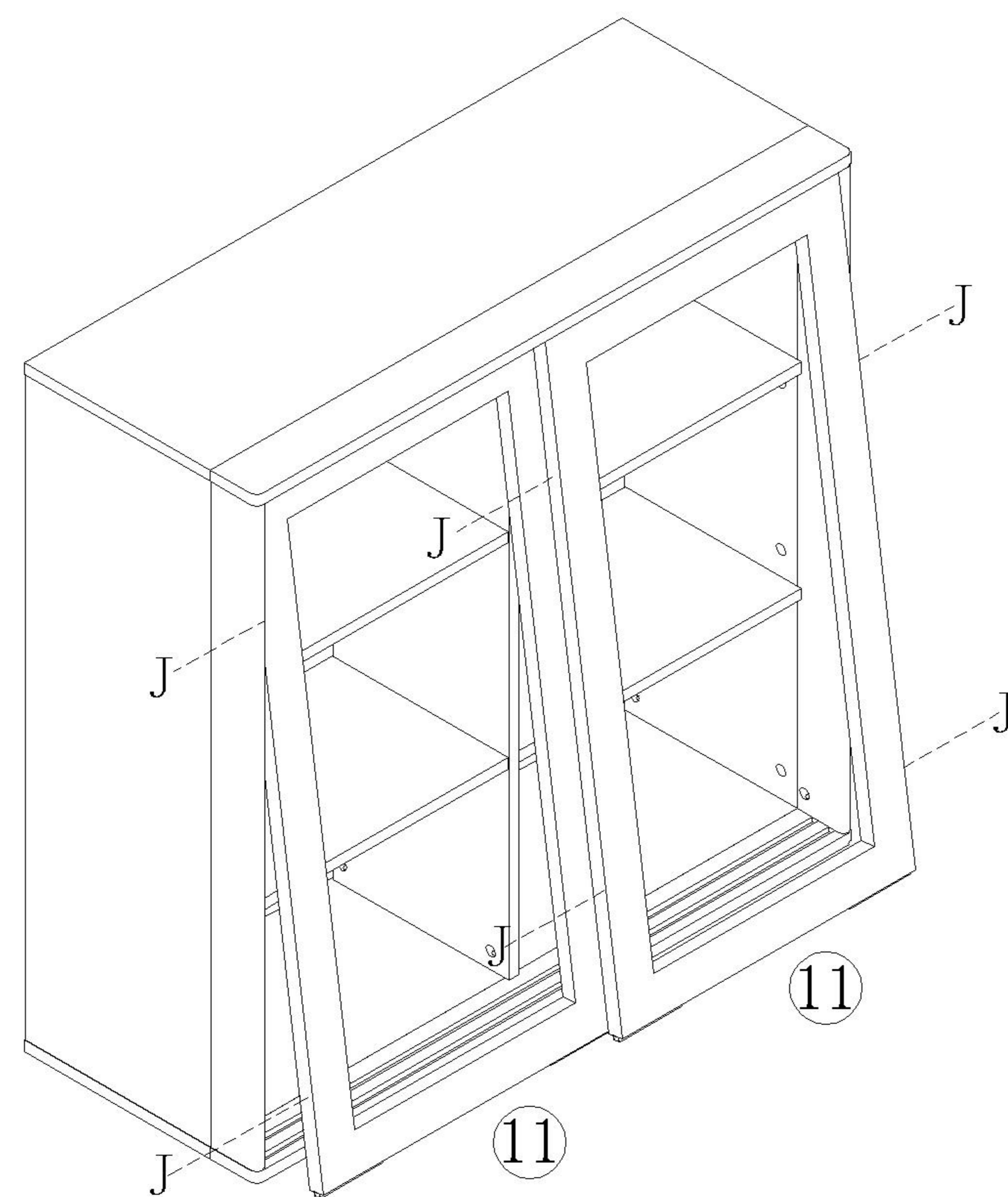


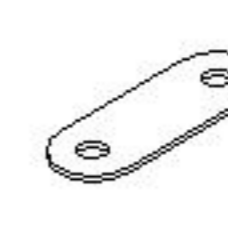
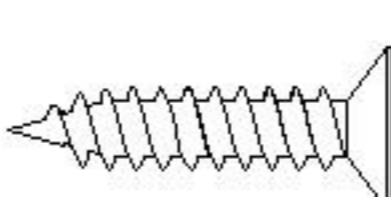
5
 (E)*10
 (G)*10

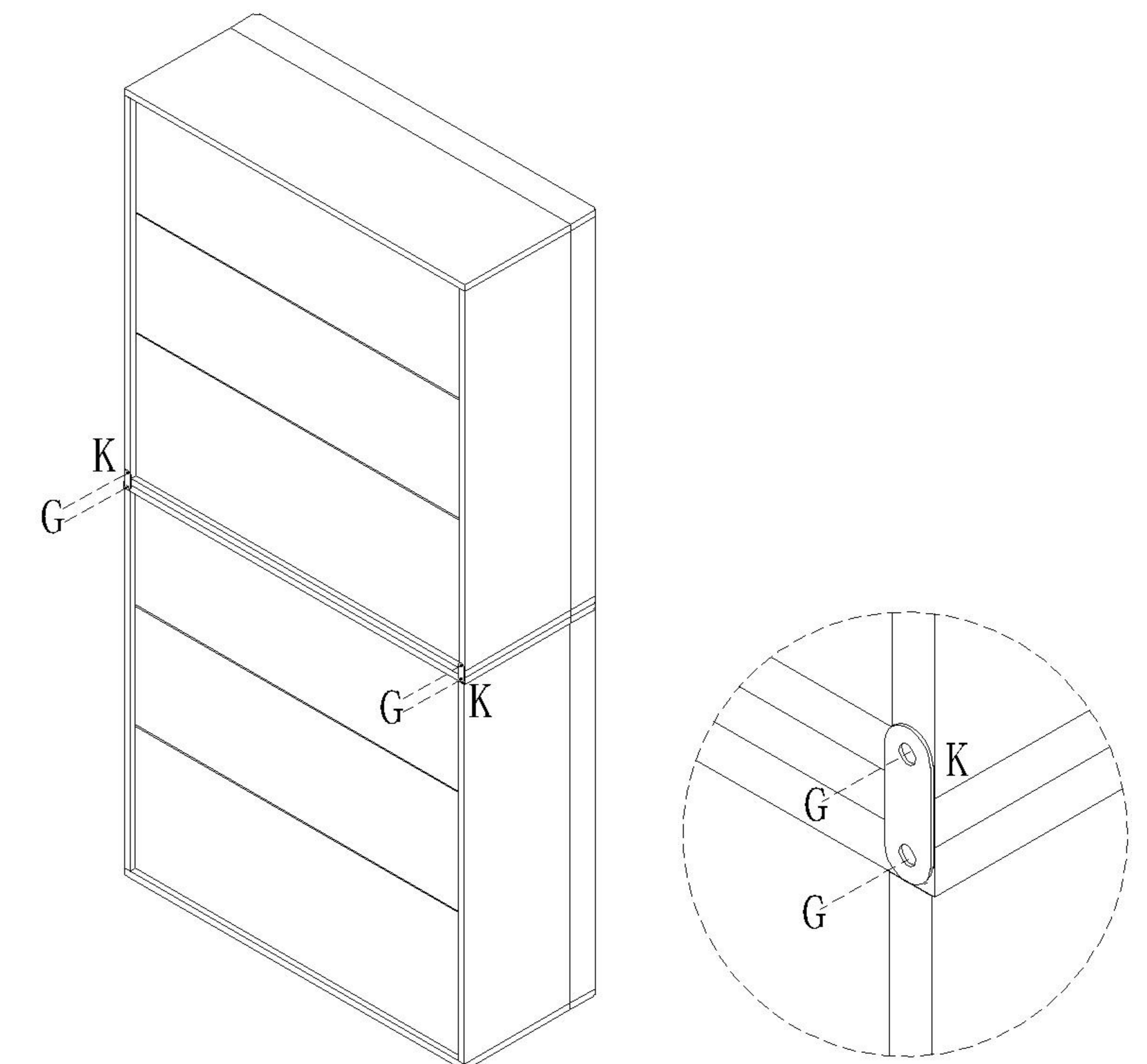


6

 (J)*8



7
 (K)*2
 (G)*4



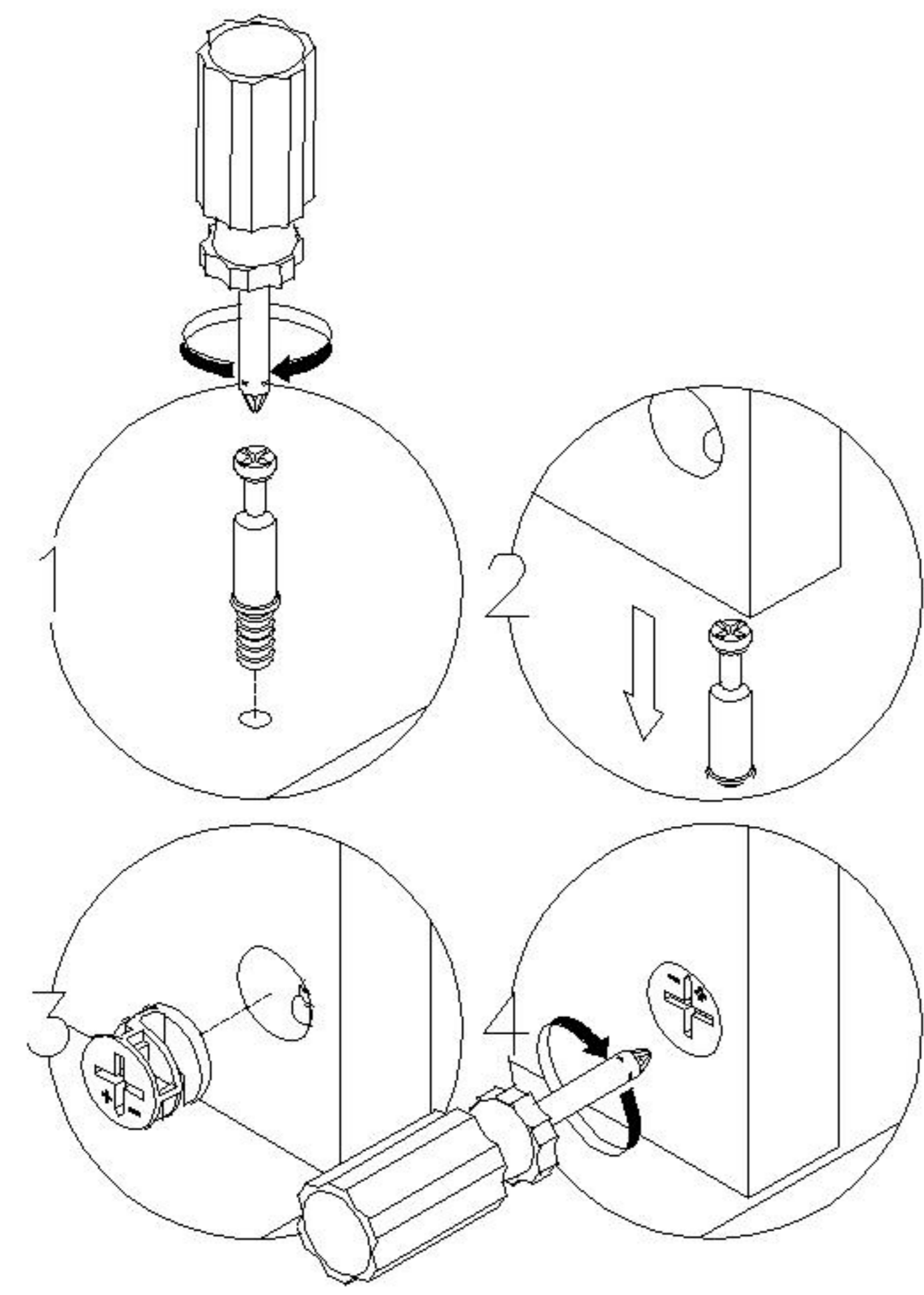
如购买下柜用五金KG锁紧
If purchasing the hardware KG
for locking the lower cabinet

KQ3X-A

安装方法

Installation method

(I)*1



二合一
two-in-one

