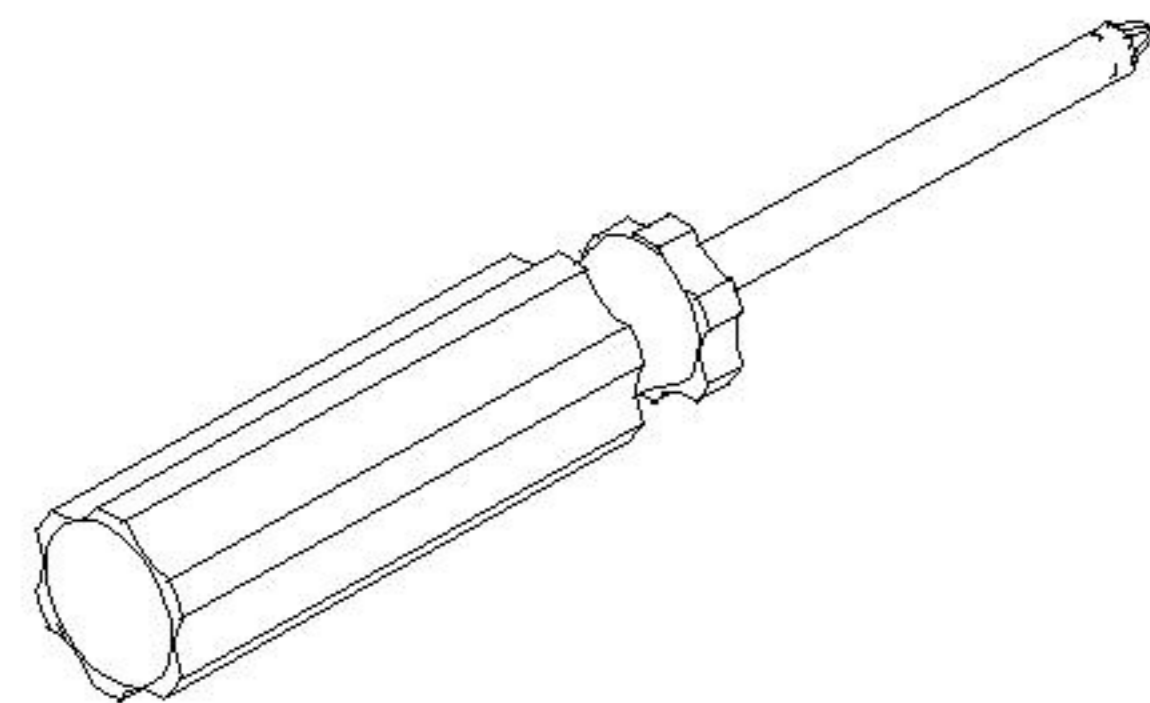
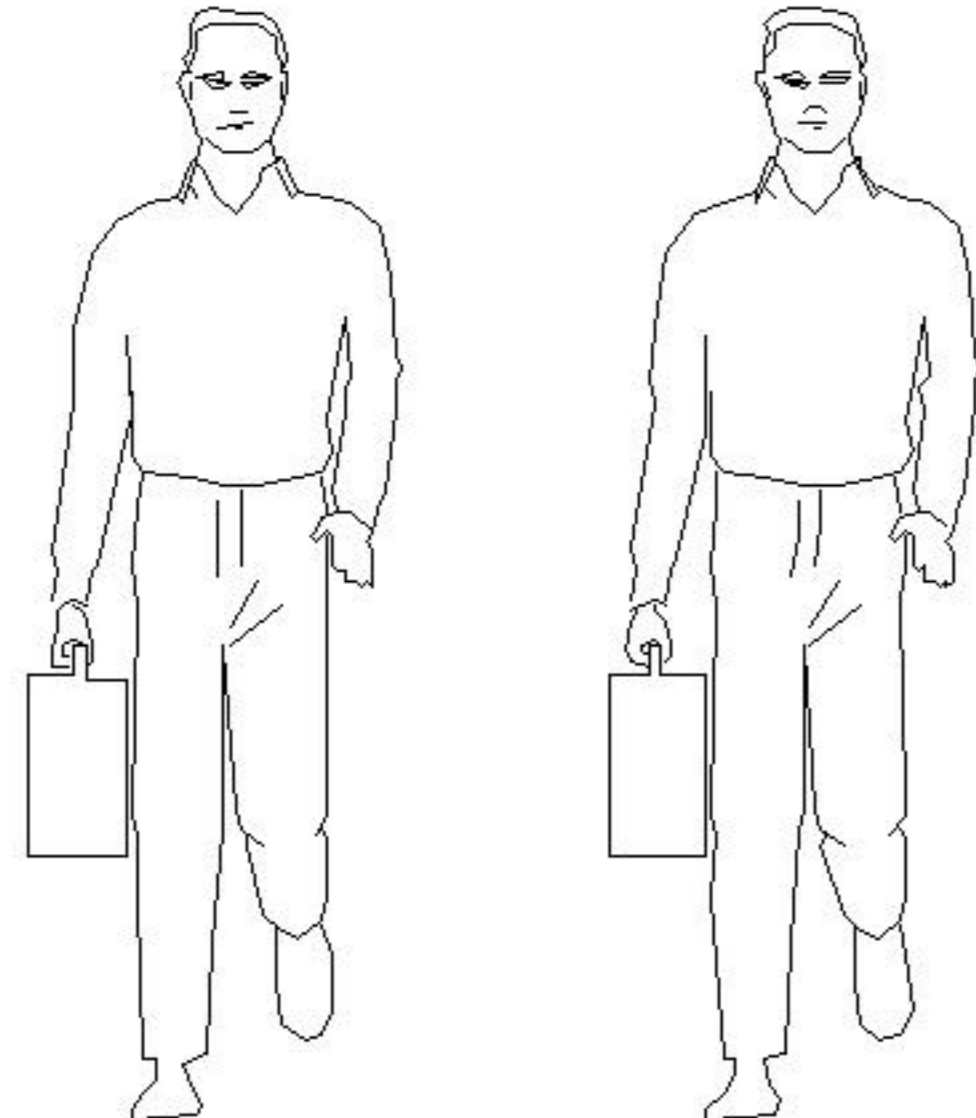
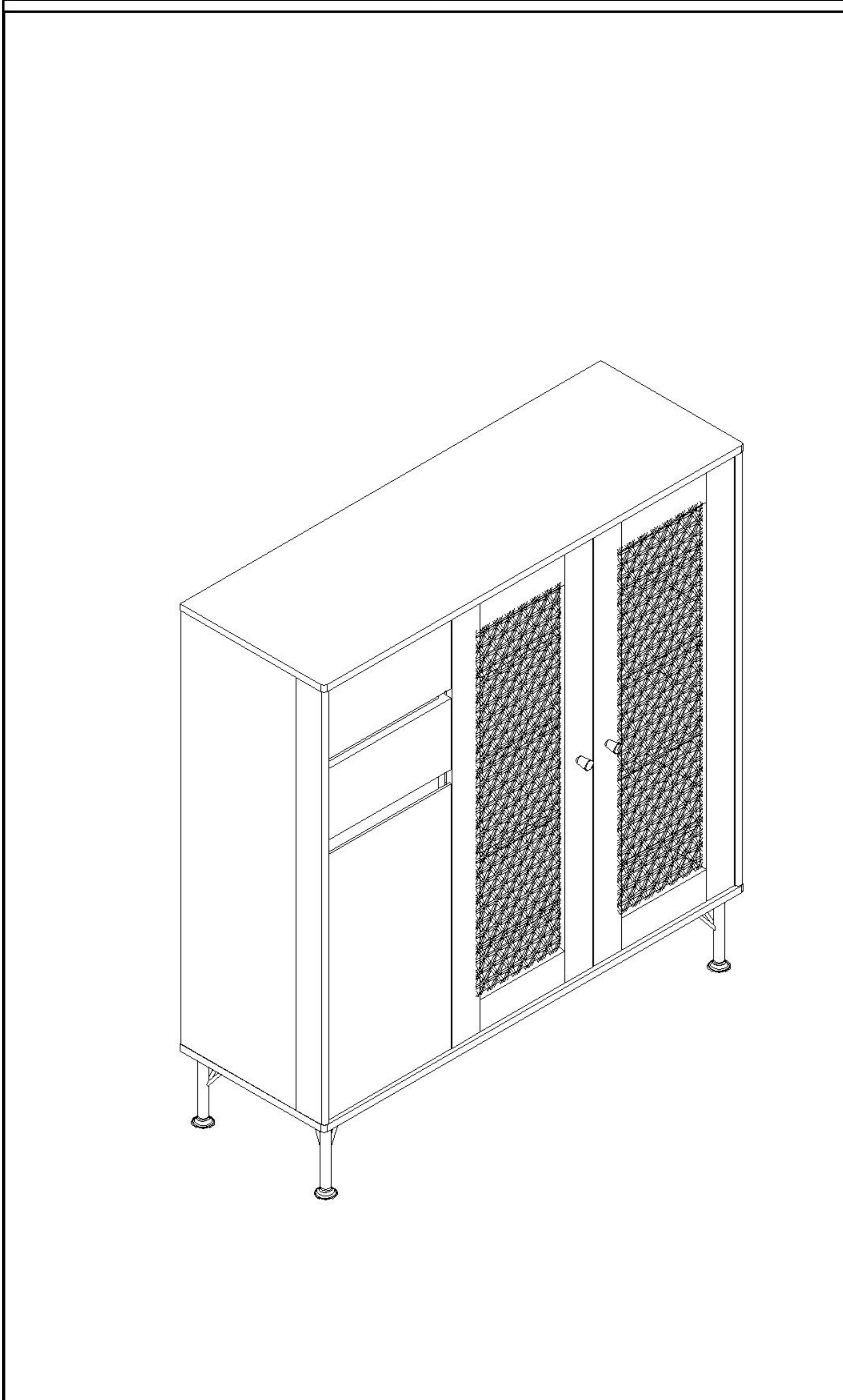


安装示意图/Assembly Instruction

产品名称 Model NO.	KQ1N-A
产品规格 Specification	1023*366*1098MM
安装工具 Tool	安装人数 Installer
	

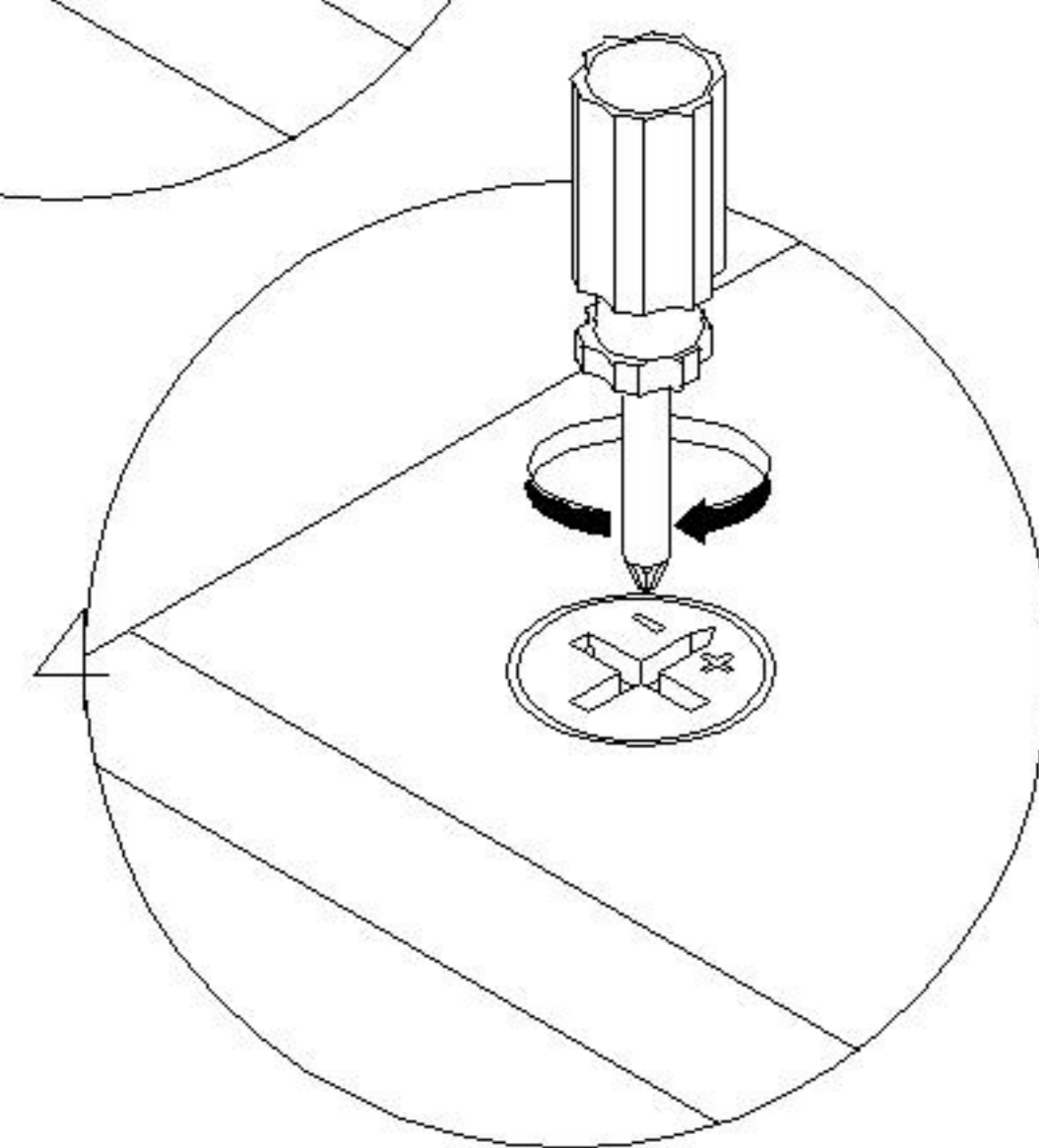
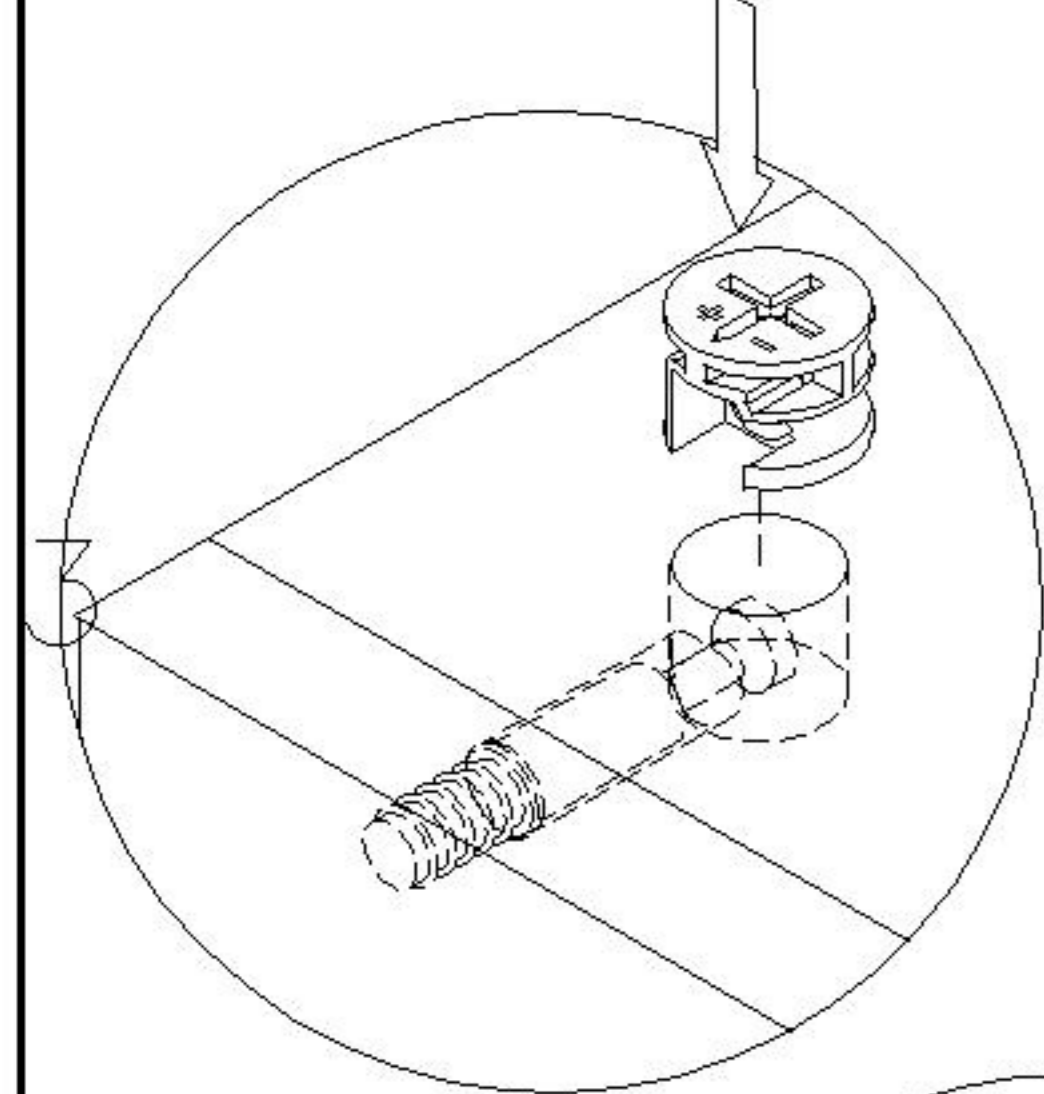
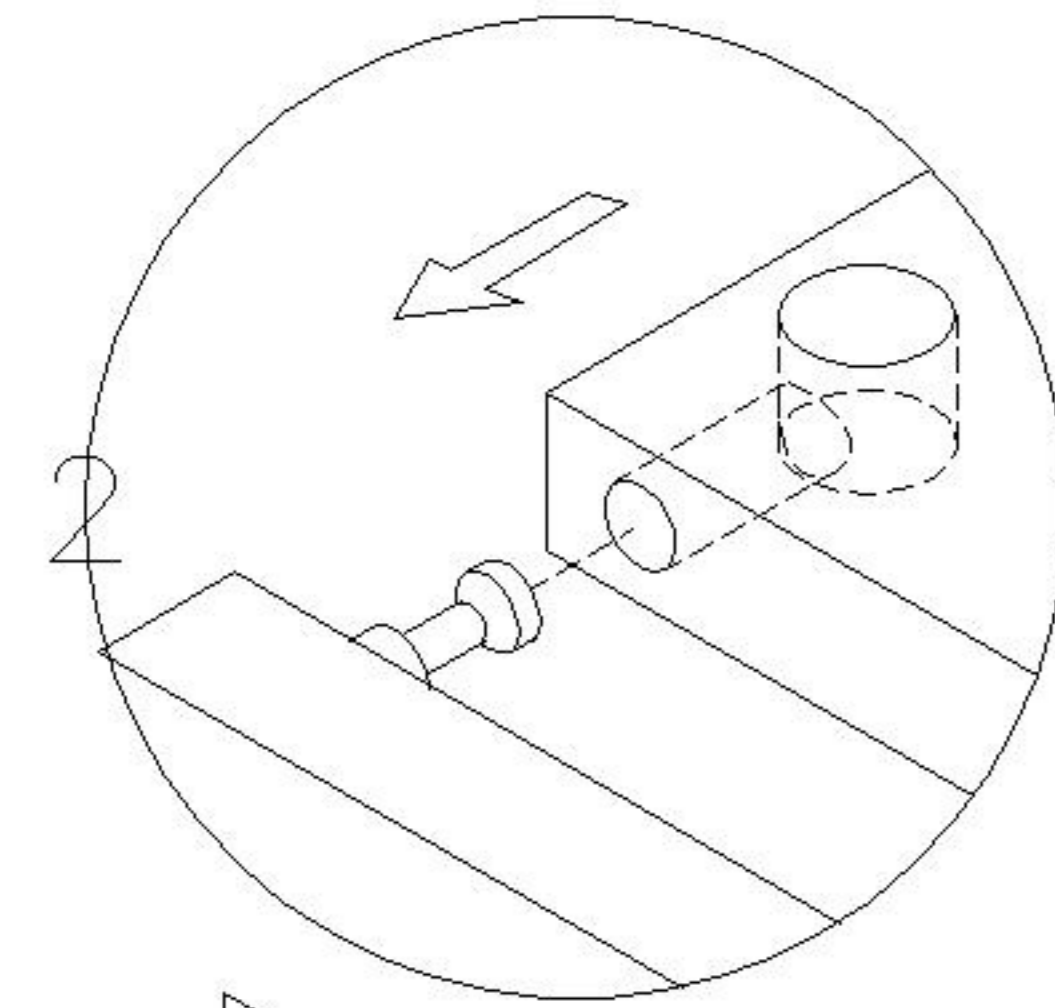
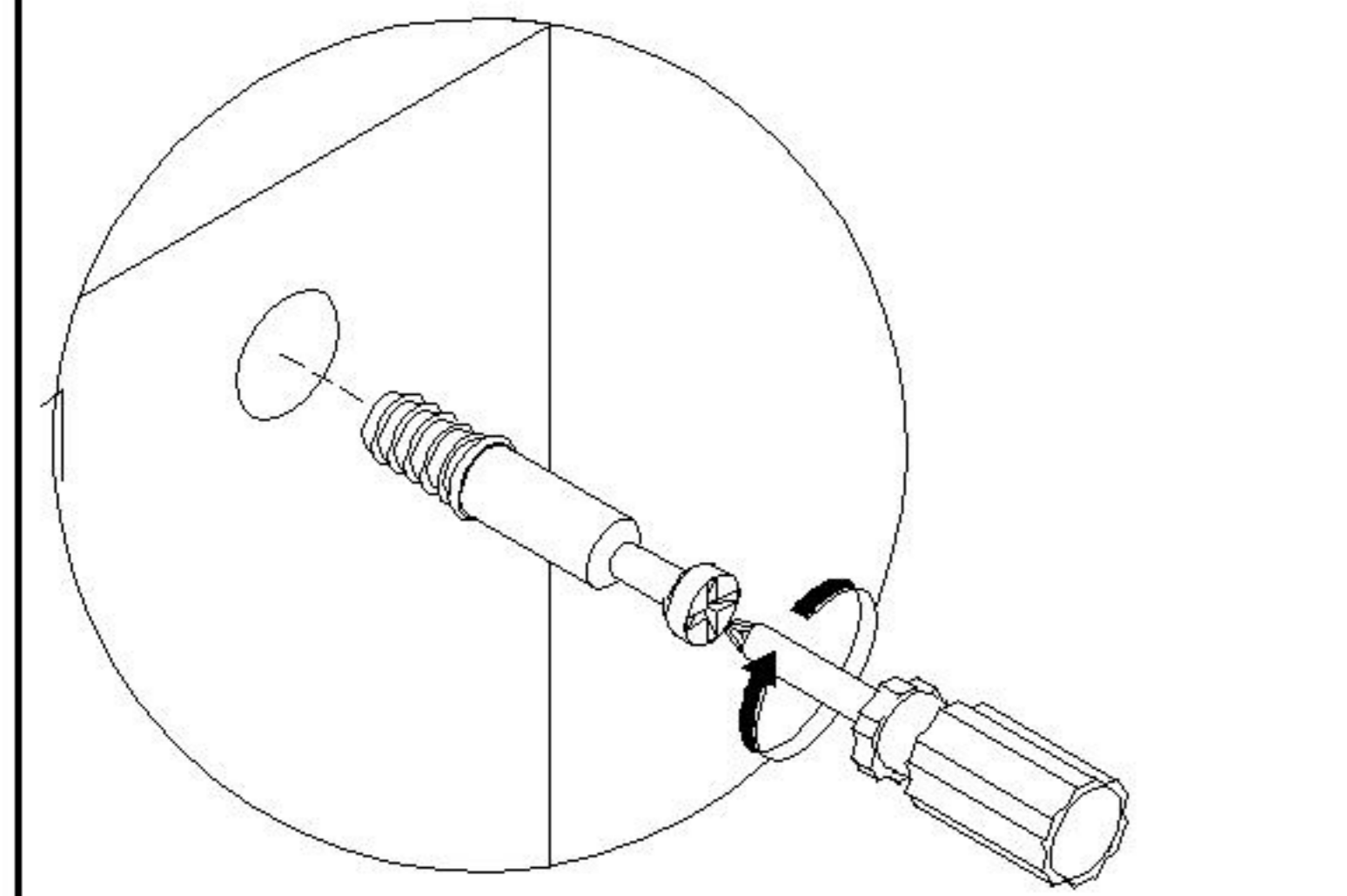


 (A)*23 大三合一锁饼 3-in-1 large lock	 (B)*23 二合一螺杆 2-in-1-screw	 (C)*17 木榫-(\varnothing 8*30mm) Wood tenon	 (D)*2 导轨10寸 Three-section rail
 (E)*15 背板扣 White buckle	 (F)*15 自攻螺丝M3.5*16 Tapping screw	 (G)*4 五金脚 Metal foot	 (H)*1 夹板条L-910 White splint strip
 (I)*25 自攻螺丝M3.5*12 Tapping screw	 (J)*1 调节五金脚 Adjustable hardware foot	 (K)*1 斜边十字螺杆-M8*30 Bevel cross screw	 (L)*3 白色透气孔盖 Breathable cover
 (M)*8 小二合一杆 2-in-1 small rod	 (N)*8 小三合一锁饼 3-in-1 small lock	 (O)*8 自攻螺丝(M4*40mm) Tapping screw	 (P)*8 塑料螺母 Plastic Nut
 (Q)*12 斜边十字螺杆-M6*12 Bevel cross screw	 (R)*2 拉手 Handle	 (S)*16 层板托5mm shelf support	 (T)*2 拉手螺丝M4*20 Pulling screw
 (U)*8 大弯缓冲门铰-杯径 \varnothing 35 Big bend hinge	 (V)*8 过山丝 Confirmat screw	 (W)*1 家具防倒器白色 Anti-fall device	 (X)*13 垫片-M6 Shim

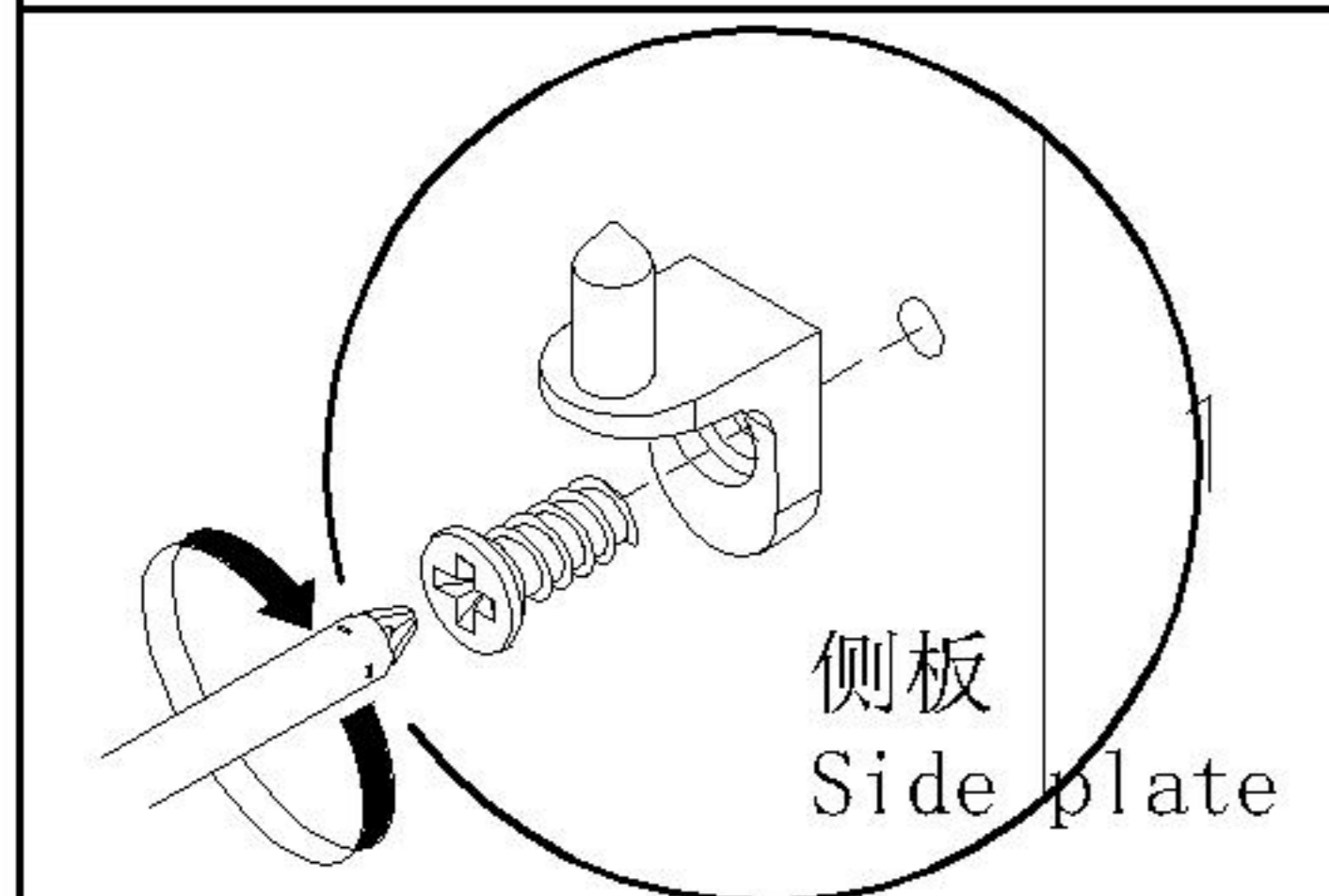
编号NO.	名称Name	规格(MM) Specification	数量QTY	材质Material
①	面板Top panel	1023*350*15	1	三胺板 Melamine
②	底板Bottom board	1023*350*15	1	三胺板 Melamine
③	左侧板Side board(L)	912*280*15	1	三胺板 Melamine
④	右侧板Side board(R)	912*280*15	1	三胺板 Melamine
⑤	中侧板Middle side board	912*326*15	1	三胺板 Melamine
⑥	活动层板Movable shelf	689*302*15	4	三胺板 Melamine
⑦	拉条Brace	286*58*15	2	三胺板 Melamine
⑧	左前柱Left anterior column	912*70*15	1	桦木 Birch
⑨	右前柱Right anterior column	912*70*15	1	桦木 Birch
⑩	左背板back board(L)	922*294*5	1	三胺板 Melamine
⑪	右背板back board(R)	922*348*5	2	三胺板 Melamine
⑫	左门板Door board(L)	558*299*15	1	三胺板 Melamine
⑬	右门板Door board(R)	908*342*15	2	三胺板 Melamine +PVC
⑭	抽屉面板Drawer's top panel	299*150*15	2	三胺板 Melamine
⑮	抽屉左侧板Drawer's side board(L)	295*78*12	2	三胺板 Melamine
⑯	抽屉右侧板Drawer's side board(R)	295*78*12	2	三胺板 Melamine
⑰	抽屉后板Drawer's Back board	236*78*12	2	三胺板 Melamine
⑱	抽屉底板Drawer's Bottom board	246*291*5	2	三胺板 Melamine
⑲	中脚Middle foot	140*30*30	1	桦木 Birch

KQ1N-A

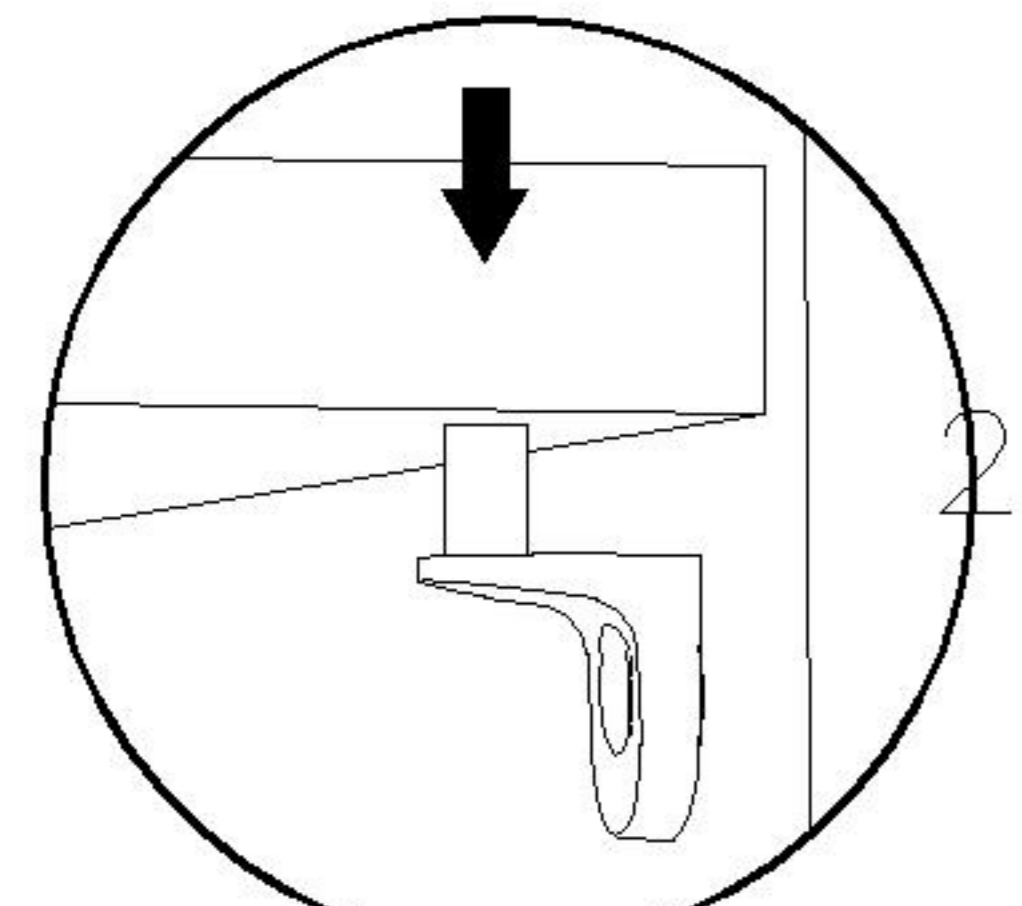
安装方法/
Installation method



二合一
two-in-one

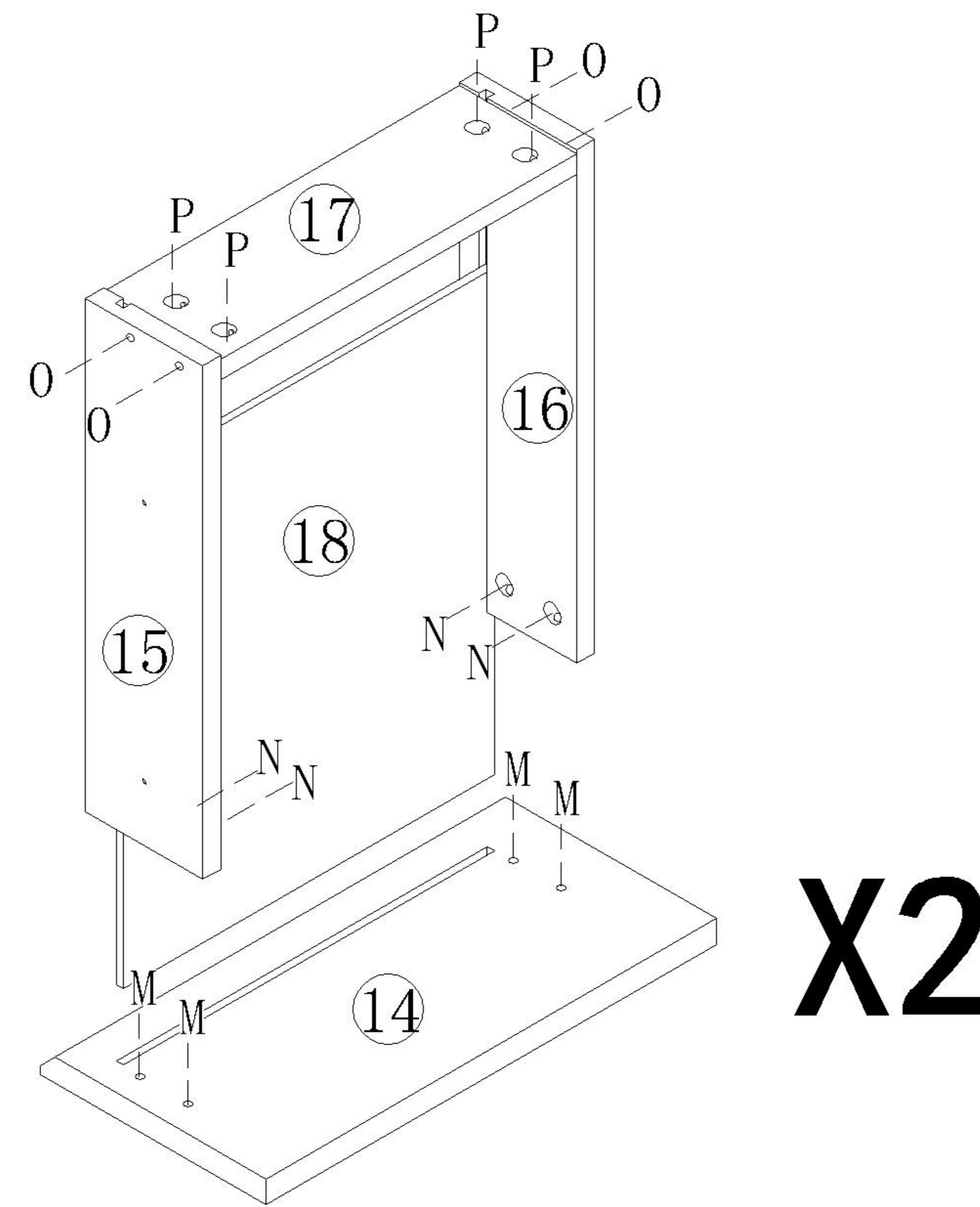


侧板
Side plate



层板托5mm
shelf support

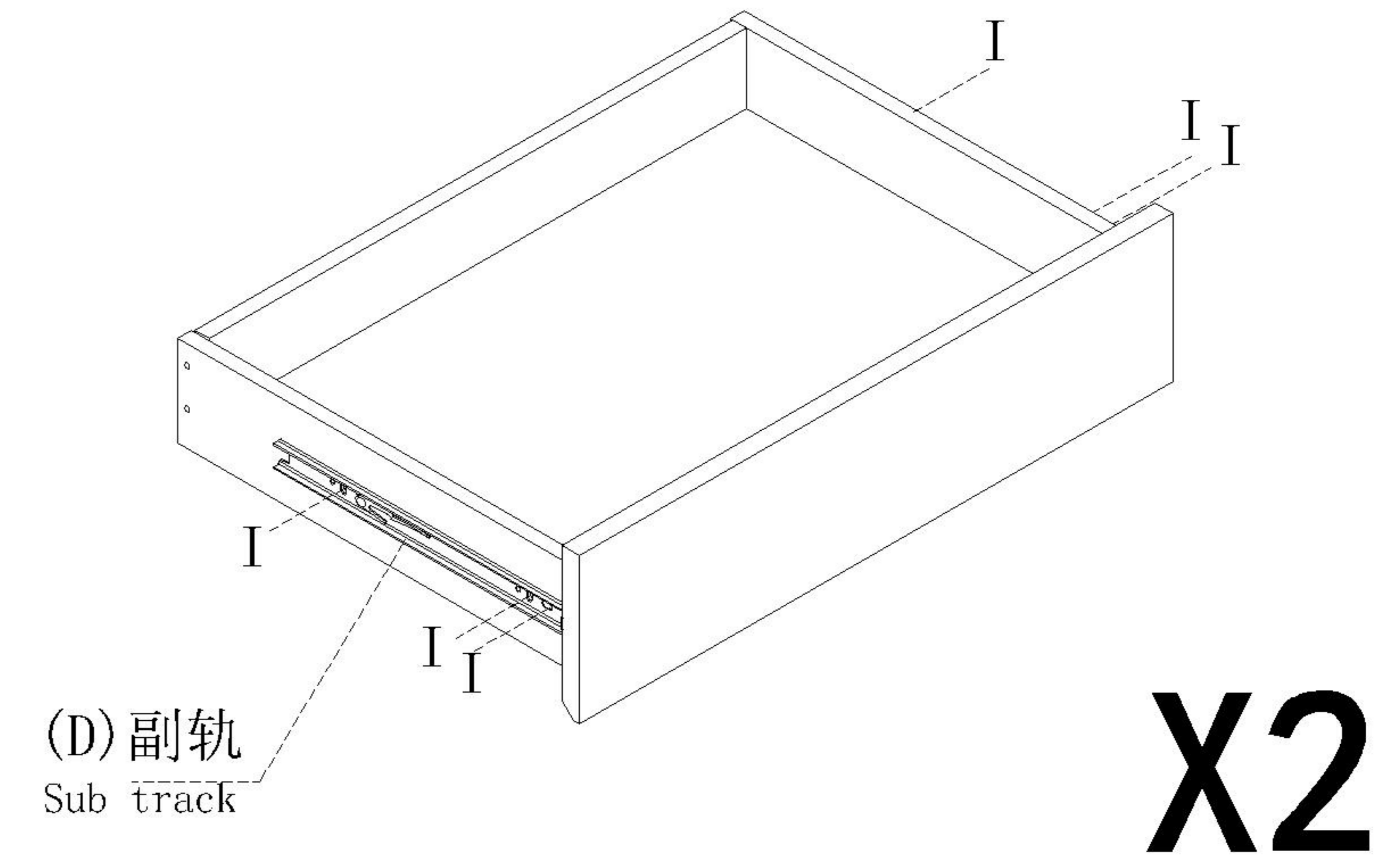
- (M)*8
- (N)*8
- (O)*8
- (P)*8



X2

1

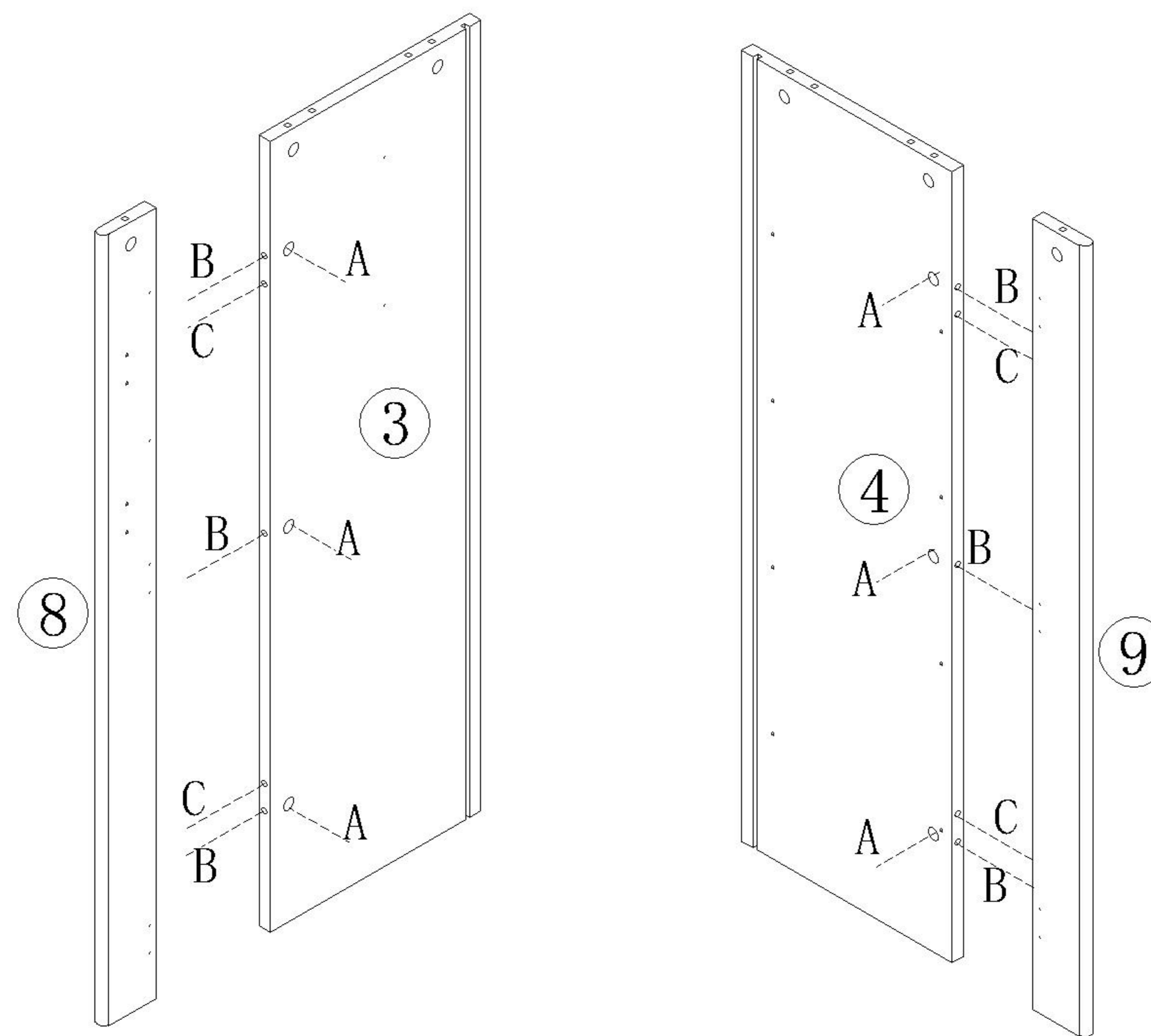
- (I)*12
- (D)*2



X2

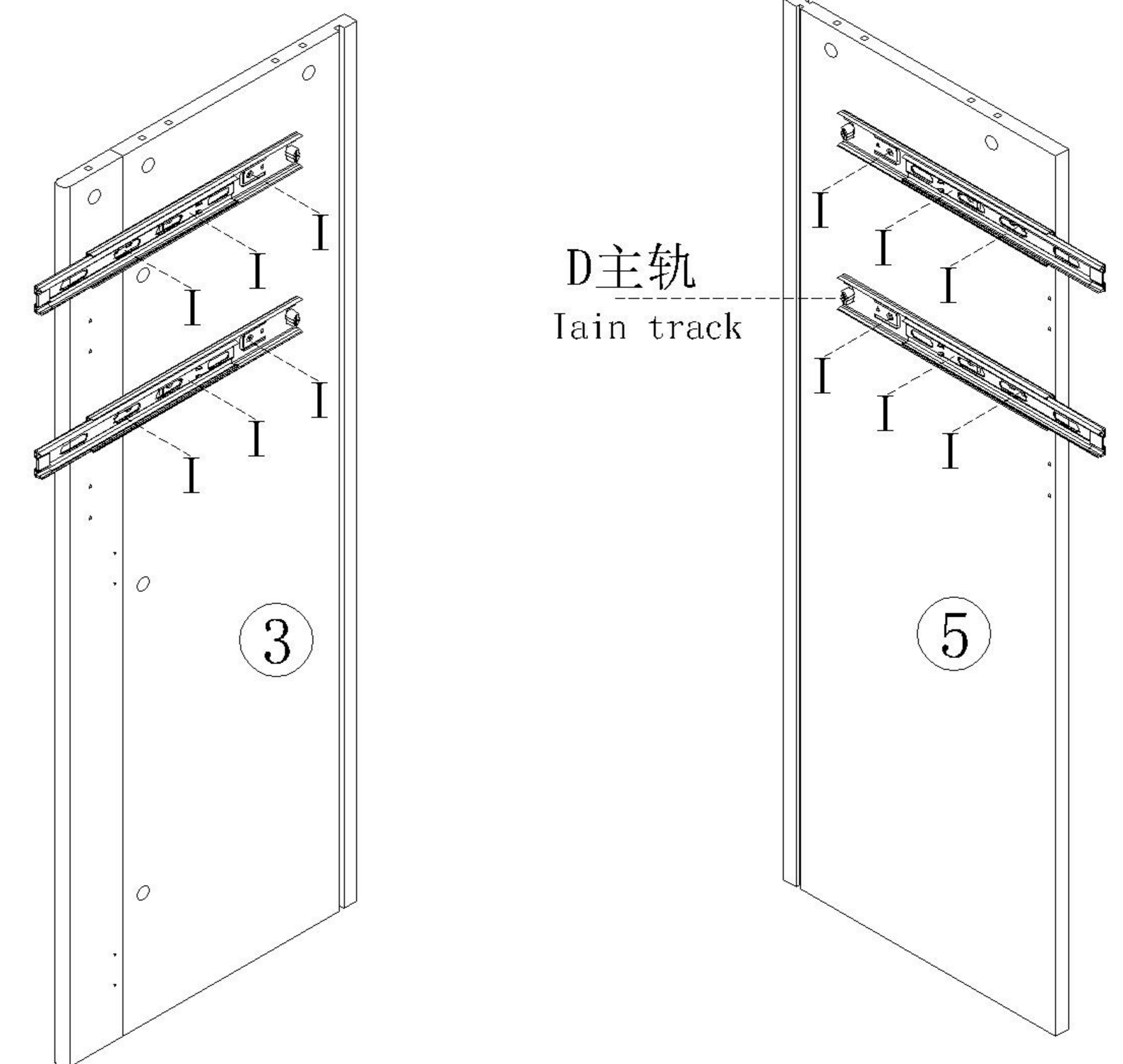
2

- (A)*6
- (B)*6
- (C)*4



3

- (I)*12
- (D)*2



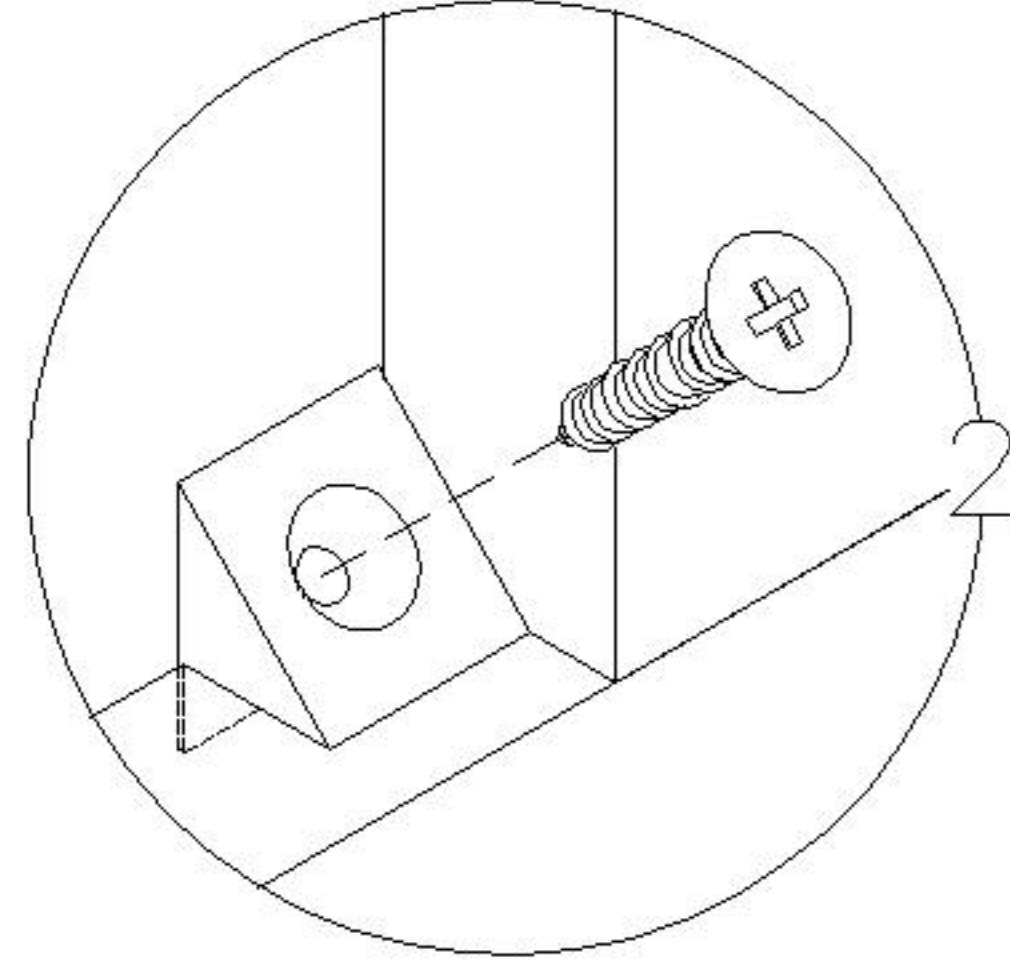
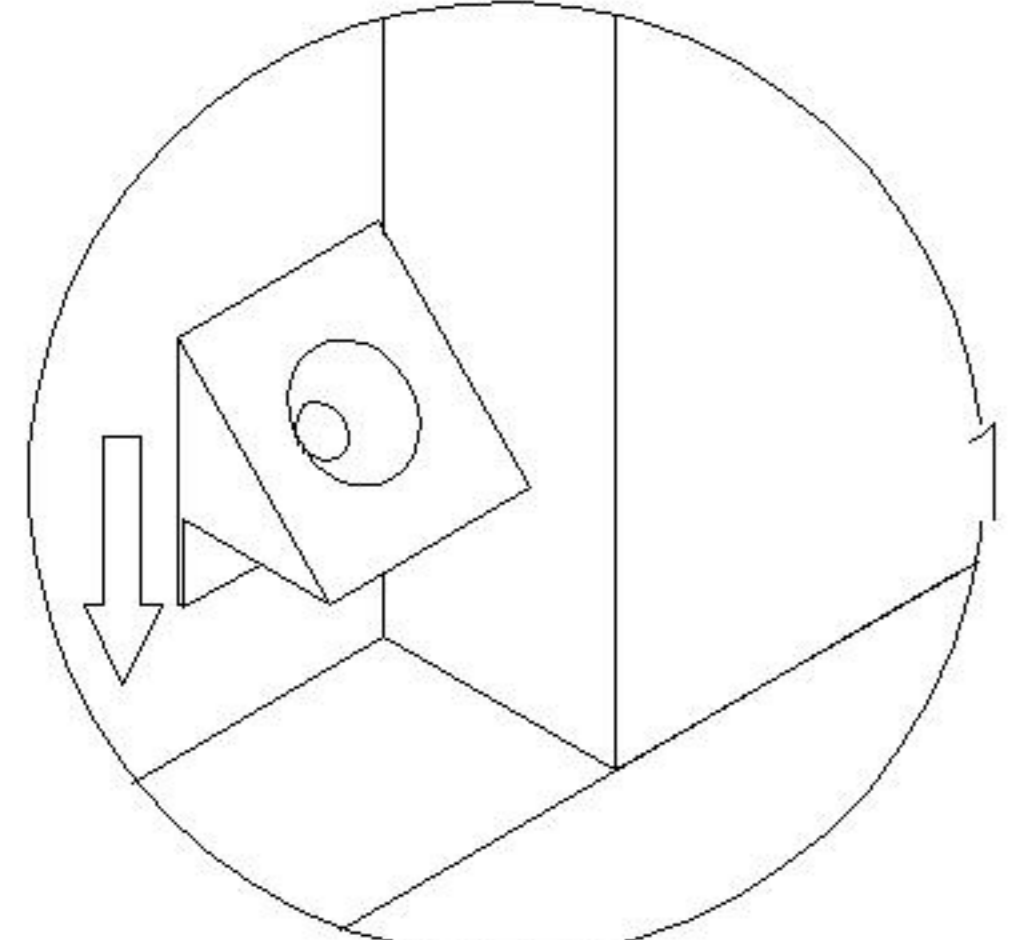
D主轨
Main track

5

4

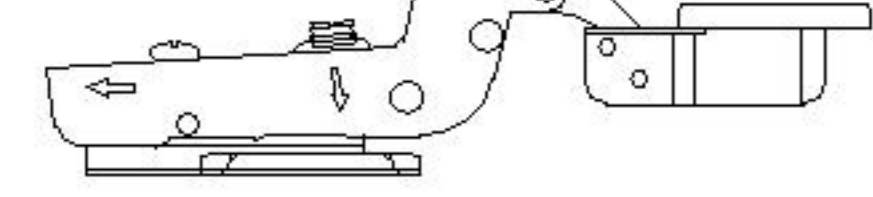
KQ1N-A

安装方法/
Installation method

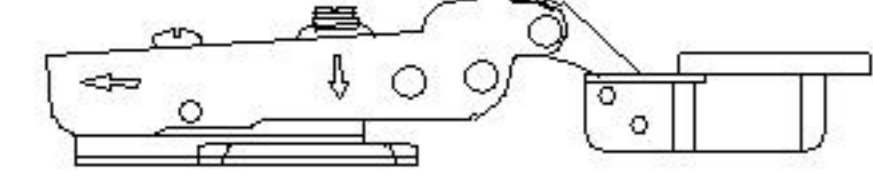


背板扣 Back Plate Buckle

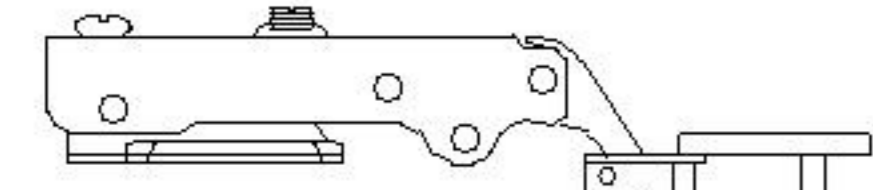
大弯big bend



中弯middle bending

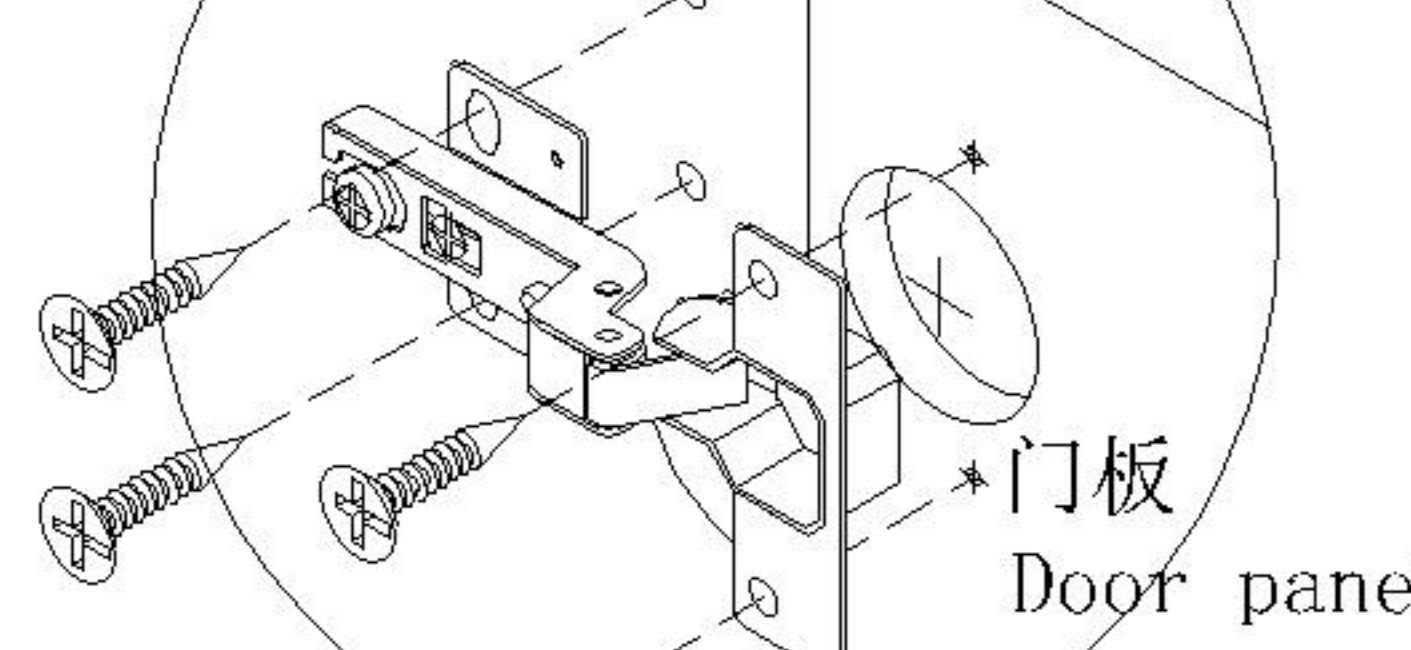


直弯straight bending



侧板

side board



门板

Door panel

调节上下

Adjust up and down

调节左右

Adjust left and right

调节前后

Before and after adjustment

门铰

Hinge

(K)*1

(Q)*12

(J)*1

(G)*4

(X)*12

(K)*1

(Q)*12

(J)*1

(G)*4

(X)*12

(C)*6

(V)*8

(C)*6

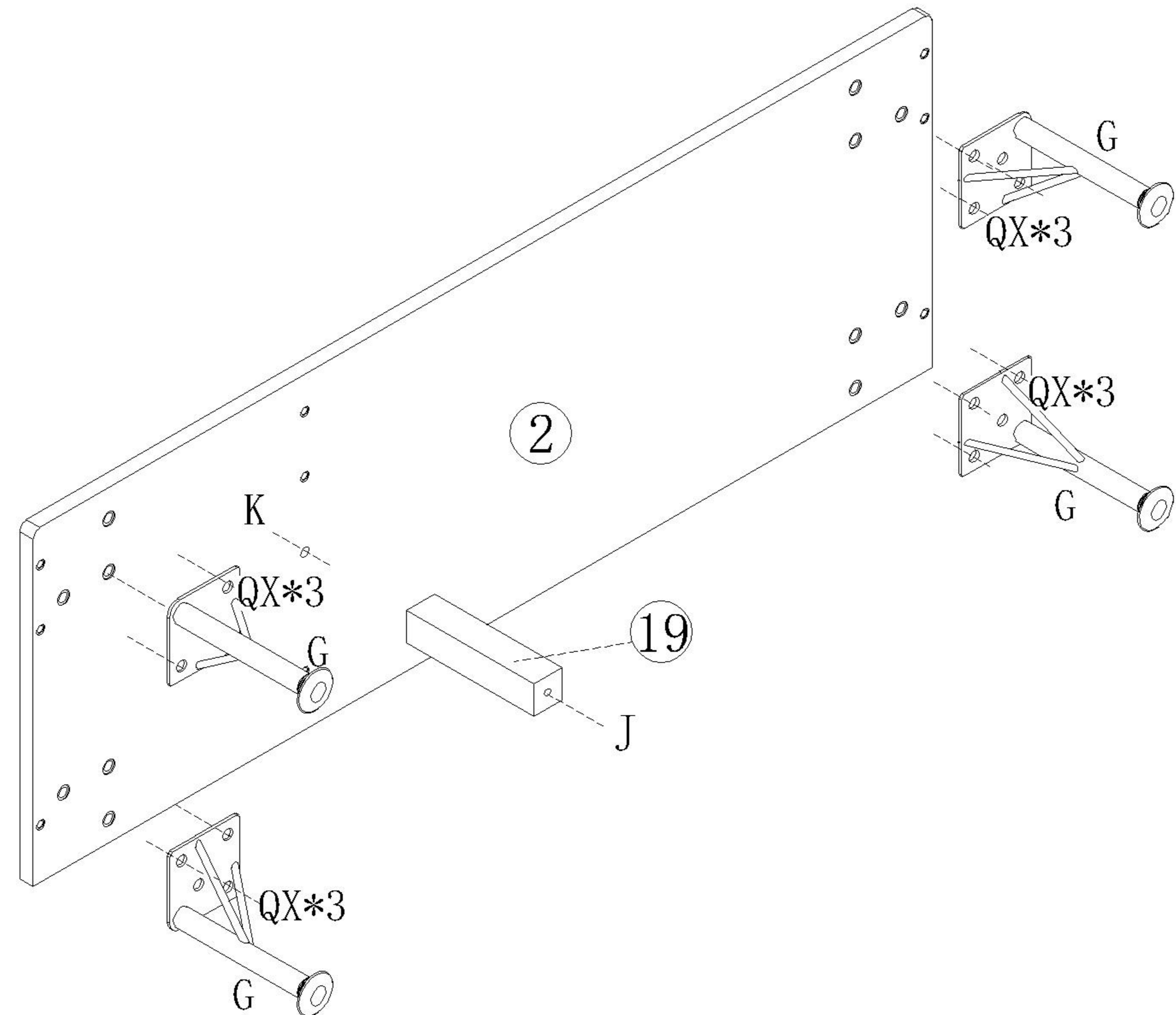
(V)*8

(C)*6

(V)*8

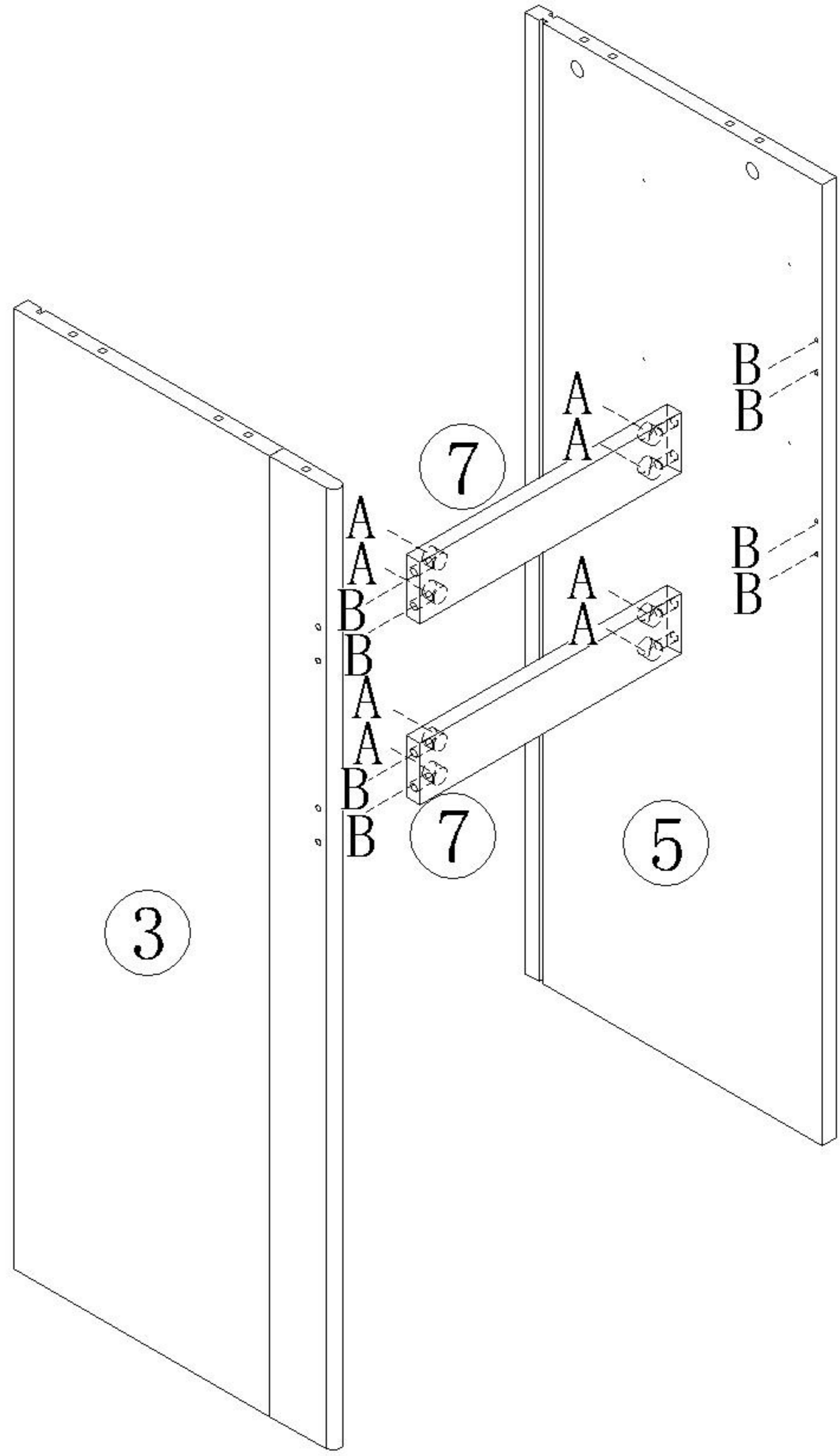
(C)*6

(V)*8



5

(A)*8
(B)*8



6

(C)*6

(V)*8

(C)*6

(V)*8

(C)*6

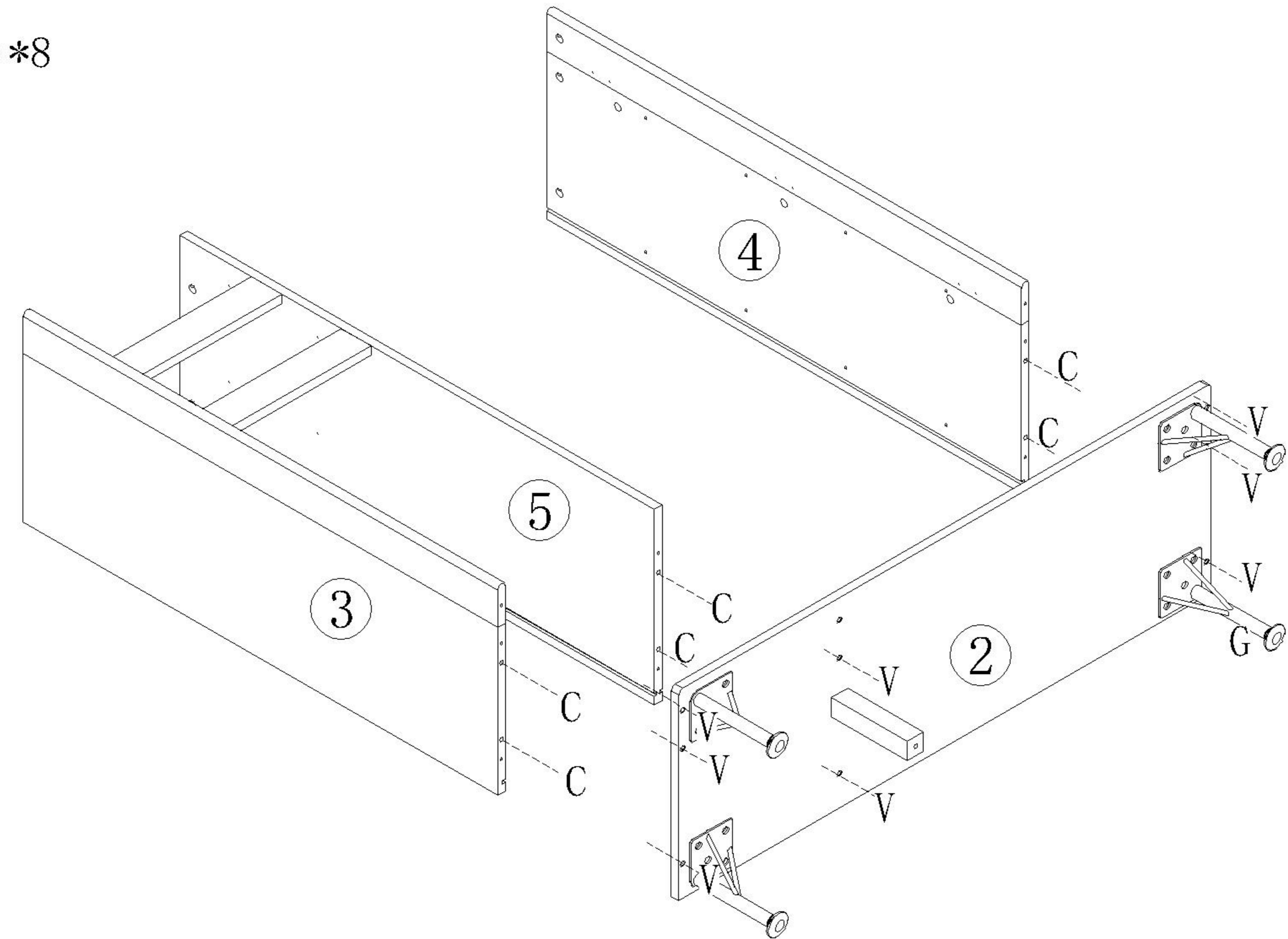
(V)*8

(C)*6

(V)*8

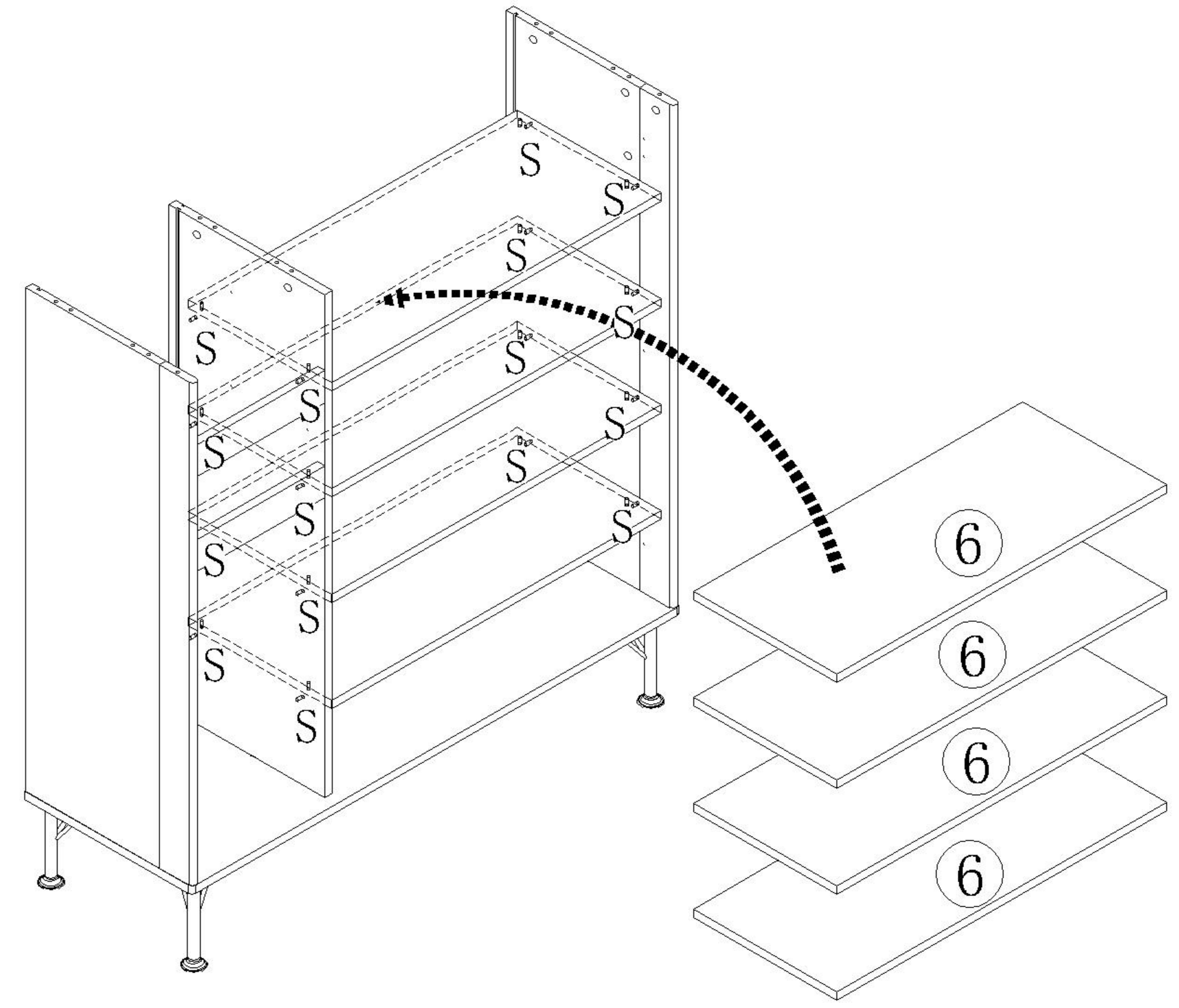
(C)*6

(V)*8



7

(S)*16

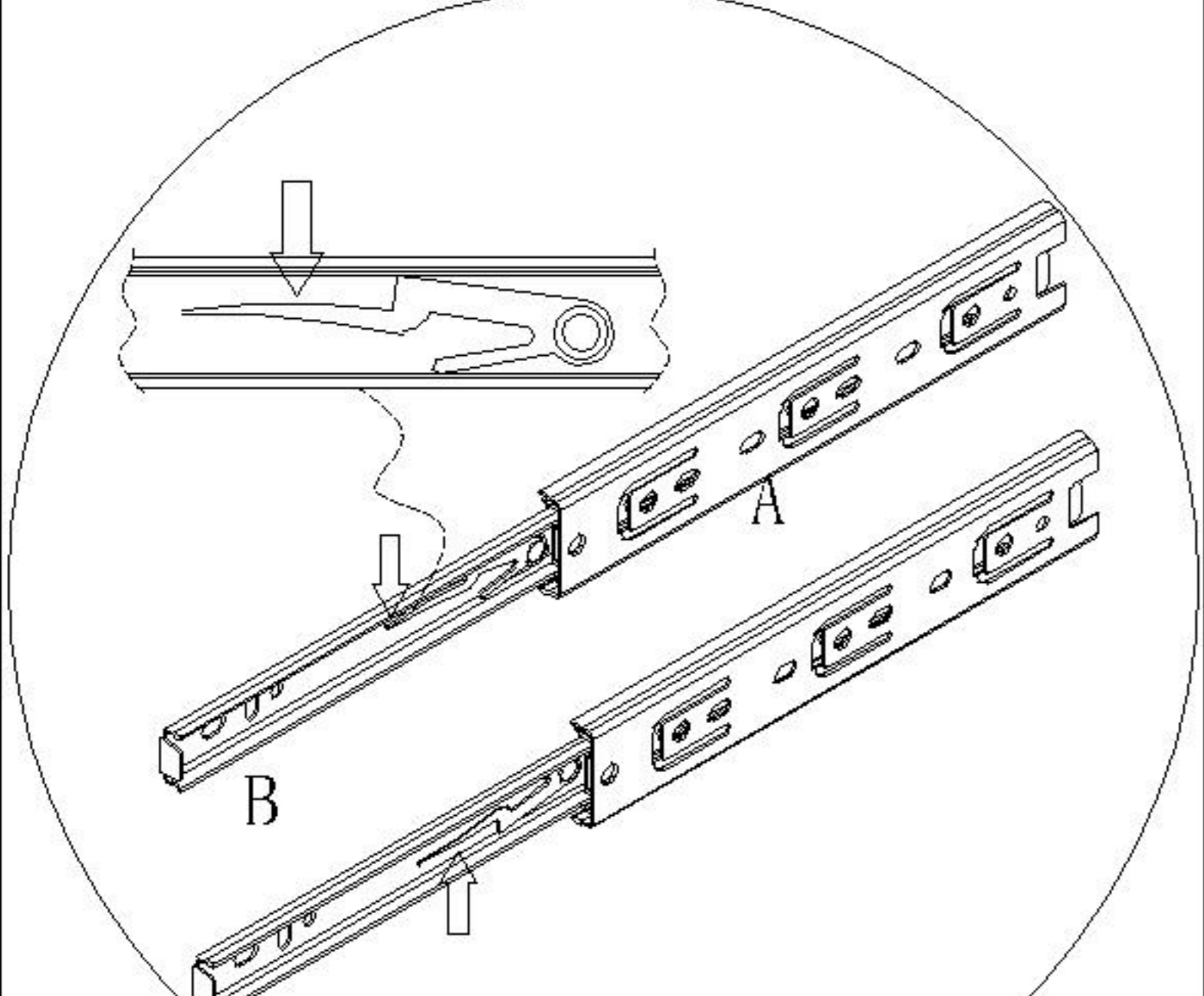


8

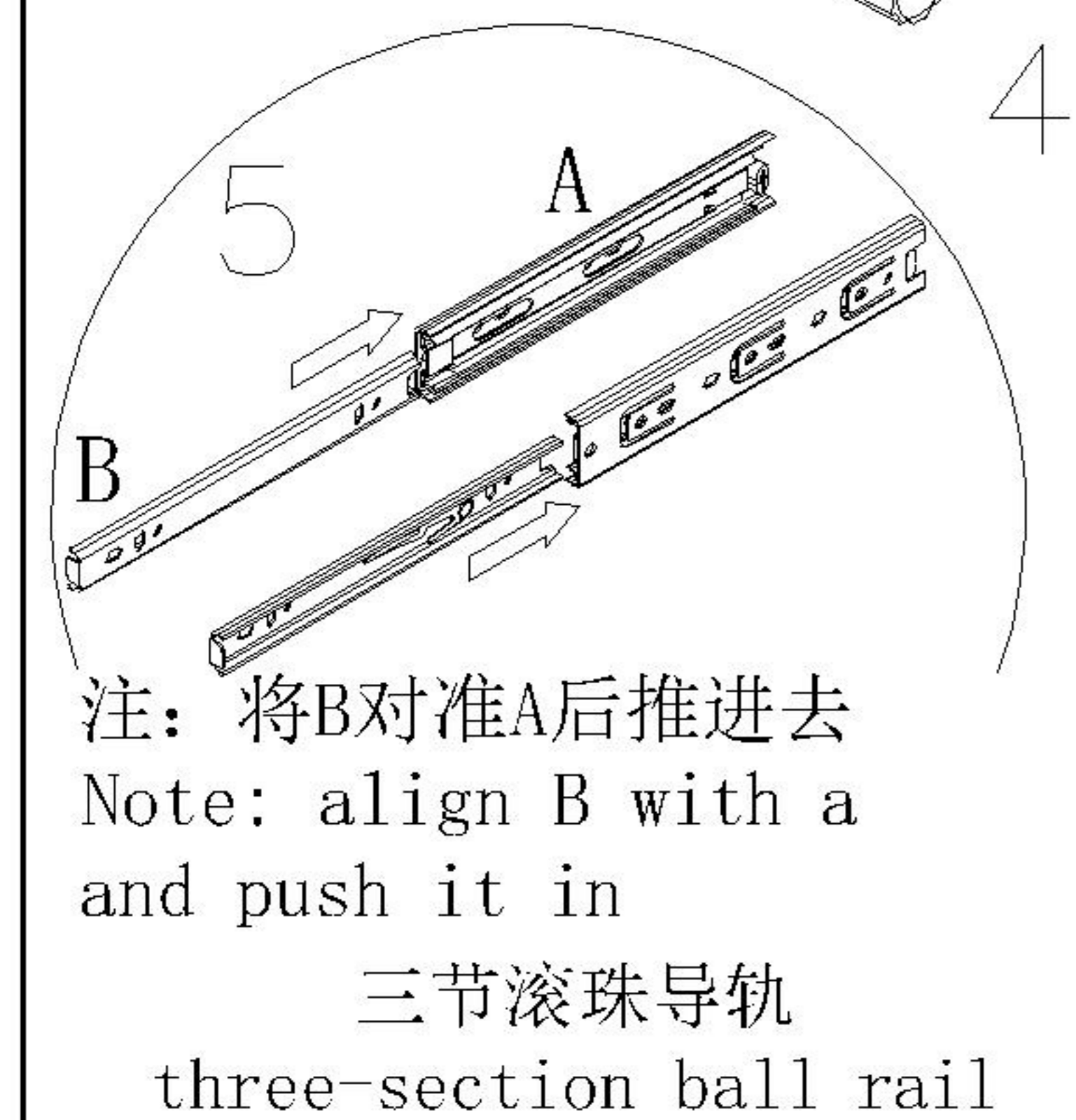
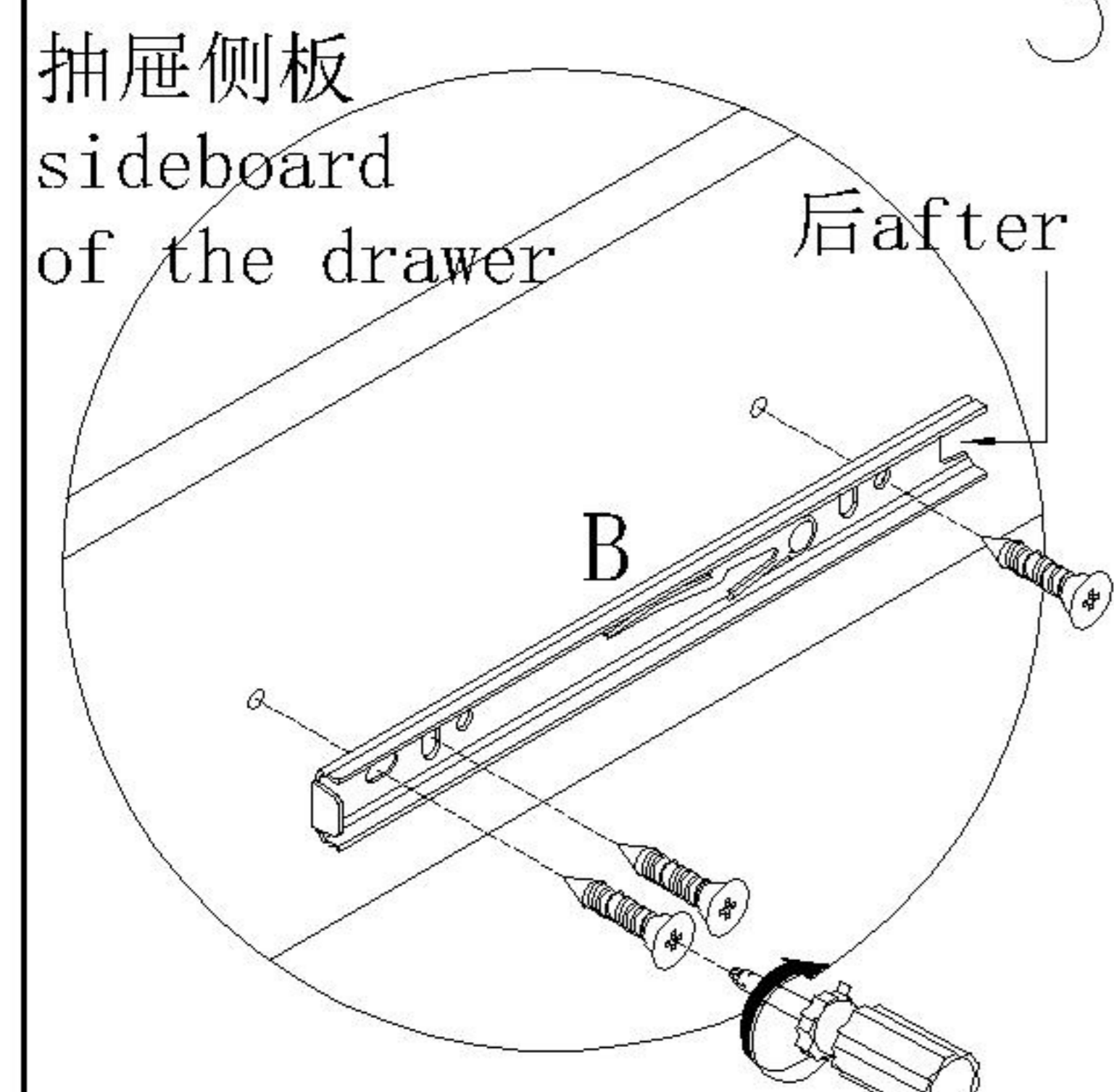
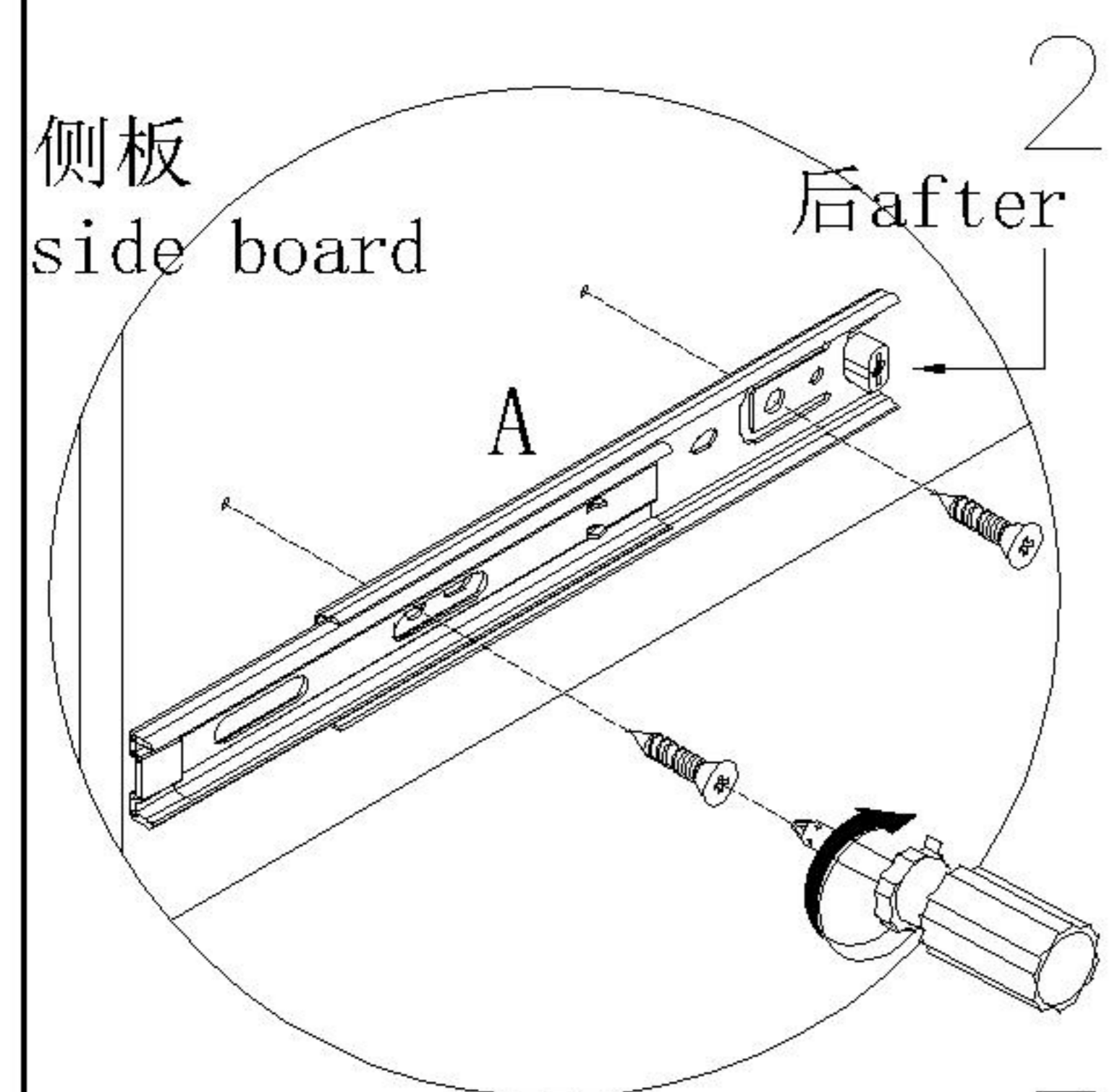
KQ1N-A

安装方法/ Installation method

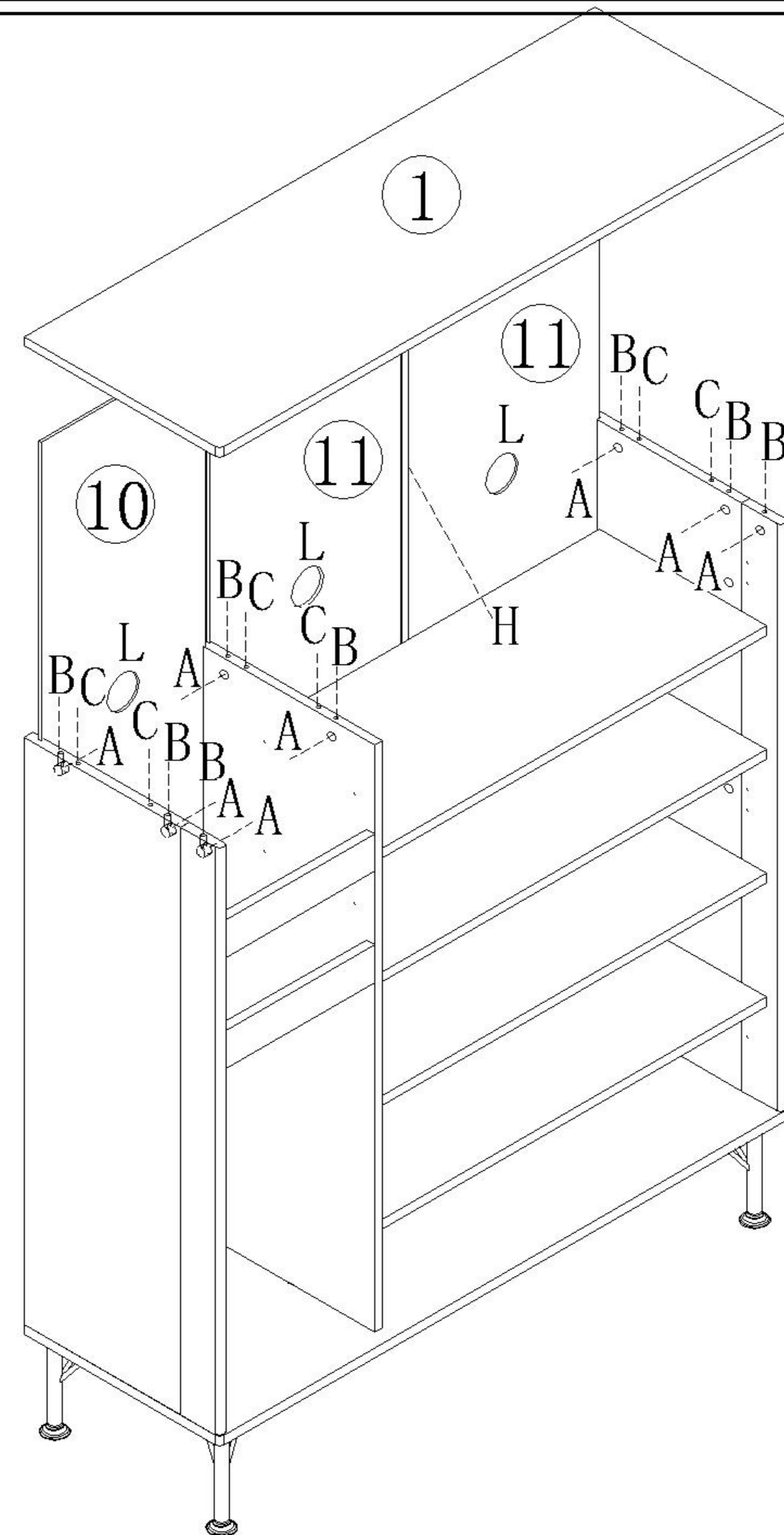
1
阀门开关(下压为开)
Valve switch
(press down to open)



注: 先将A与B拆下来
Note: remove a and B first

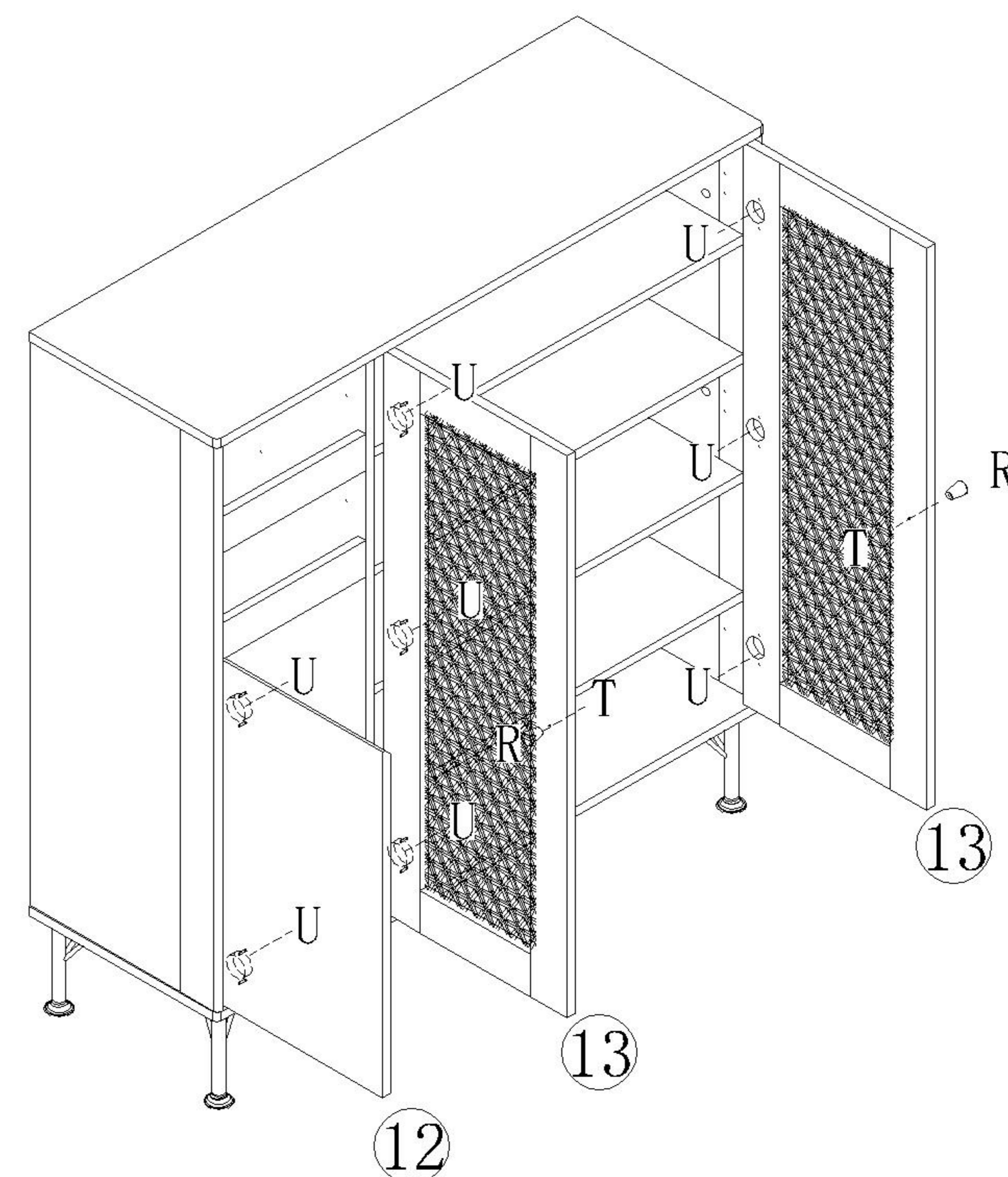


- (A)*8
- (B)*8
- (C)*6
- (H)*1
- (L)*3



9

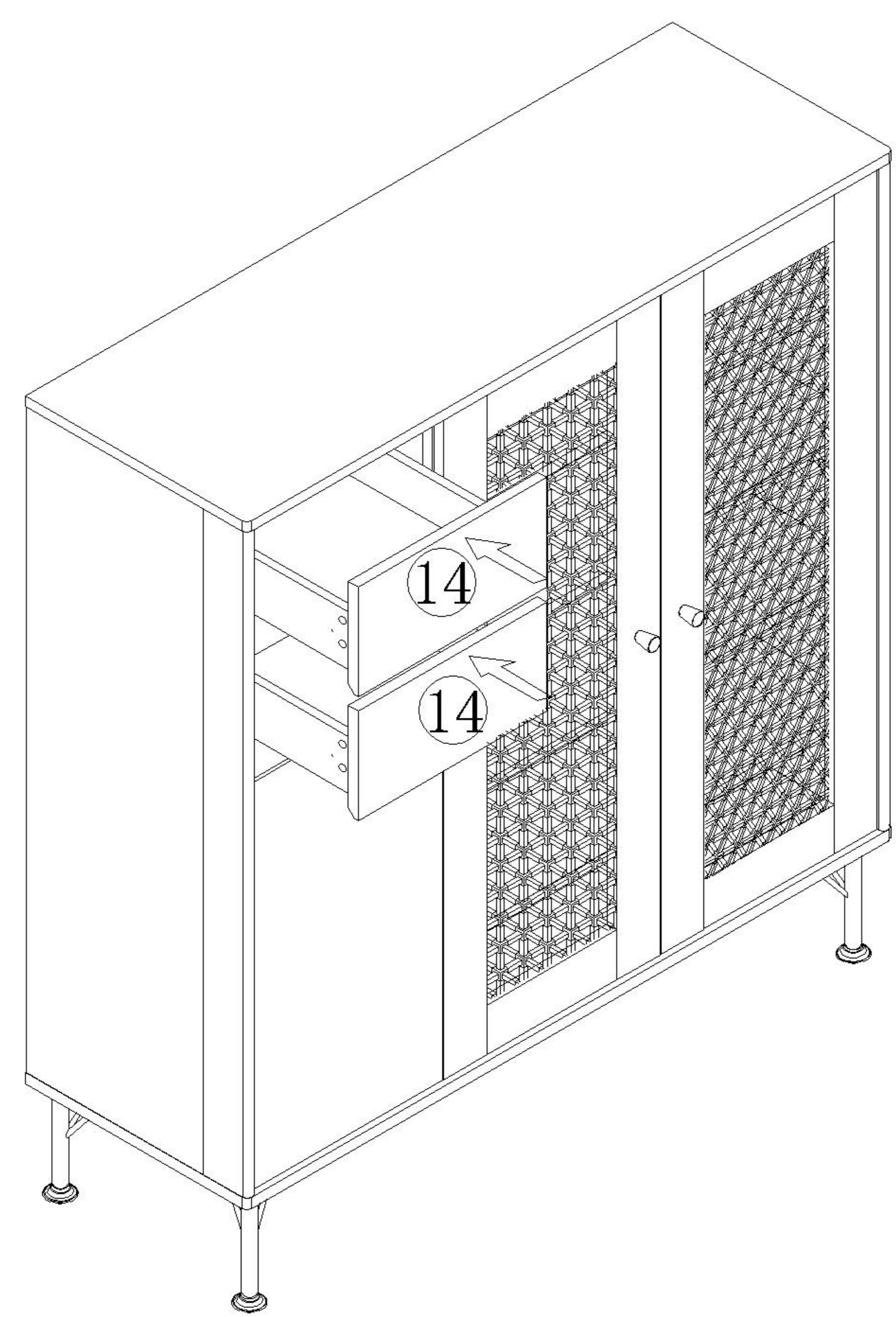
- (R)*2
- (T)*2
- (U)*8



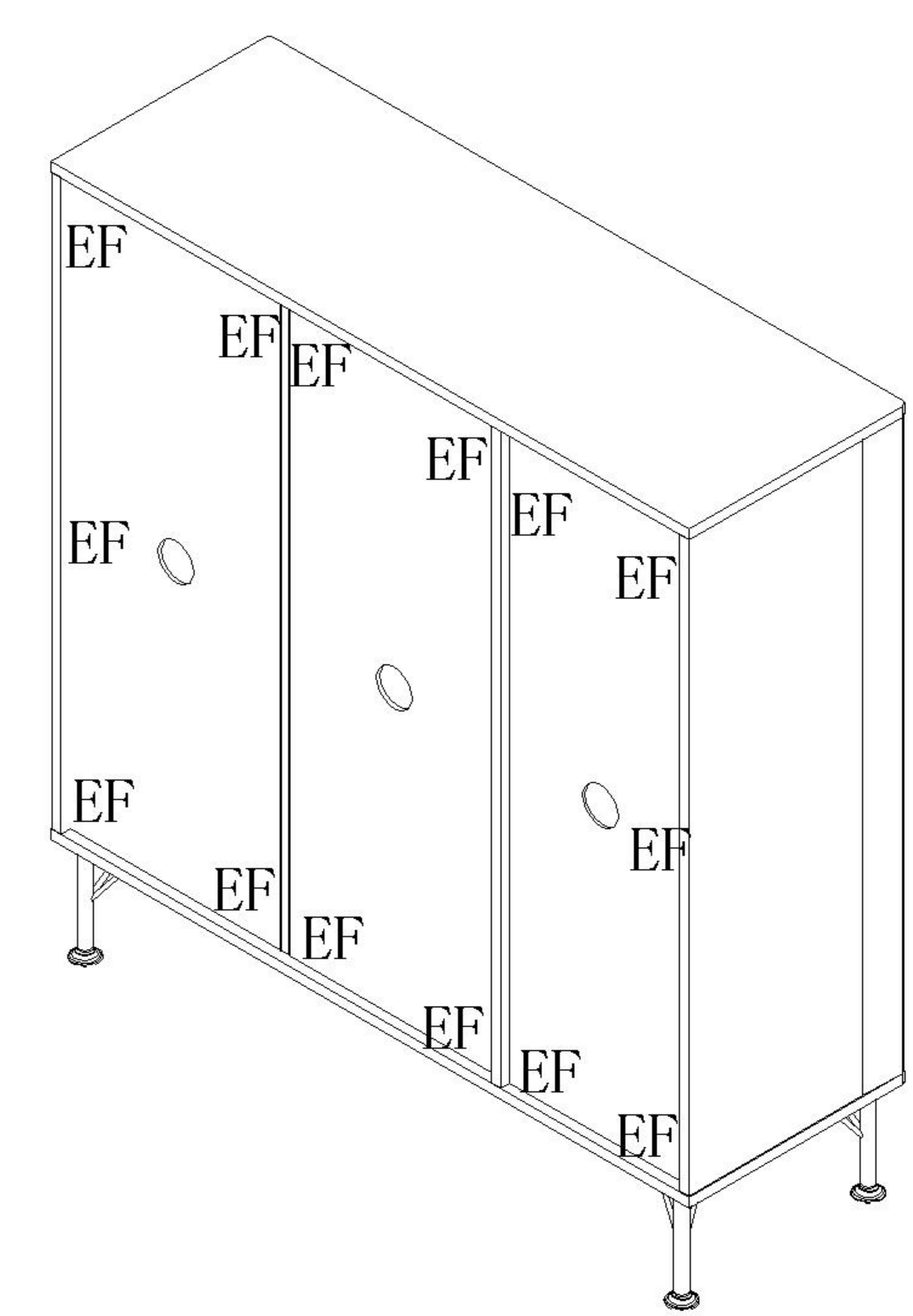
10

11

- (E)*14
- (F)*14



12



KQ1N-A

安装方法/
Installation method

(W)*1

