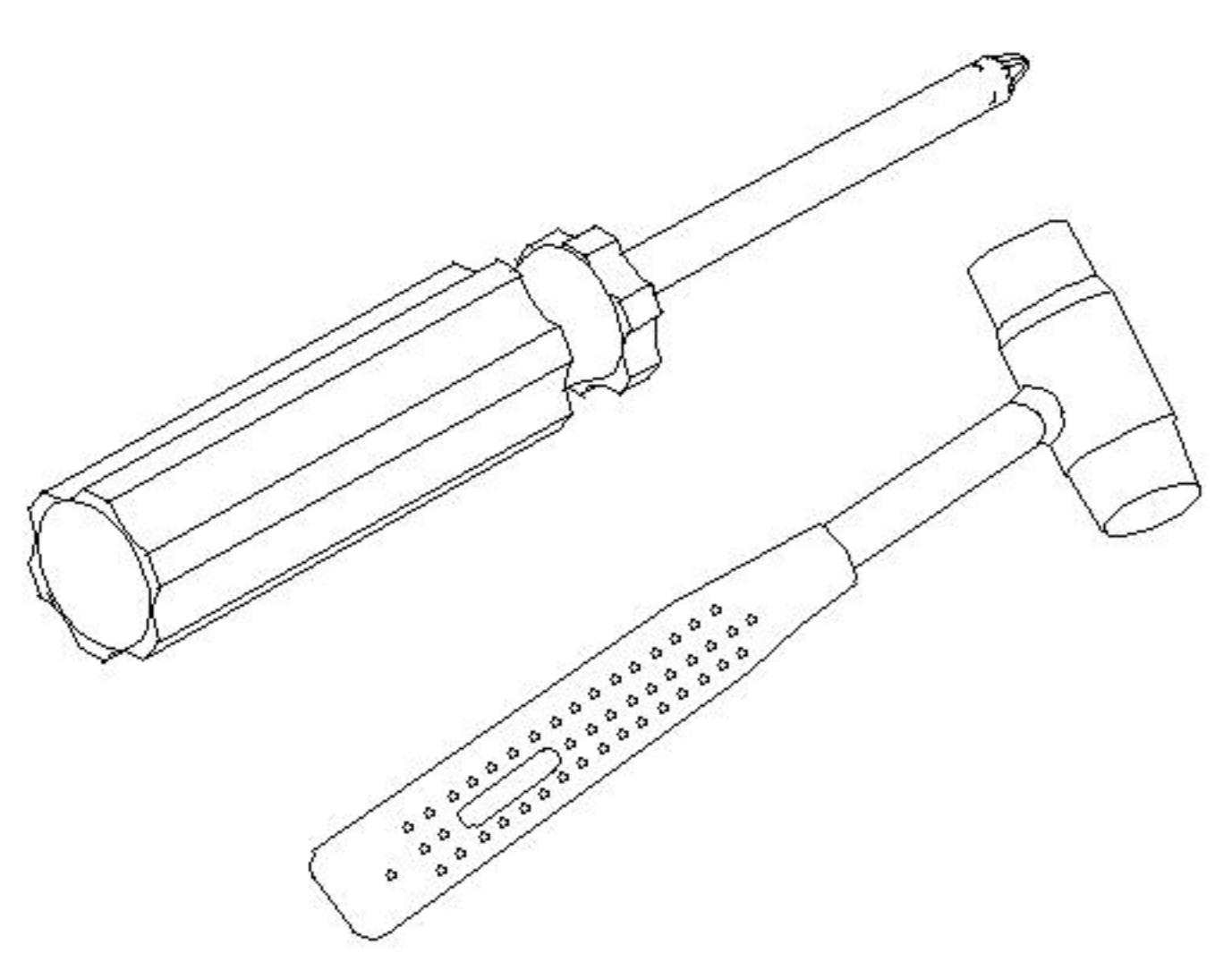
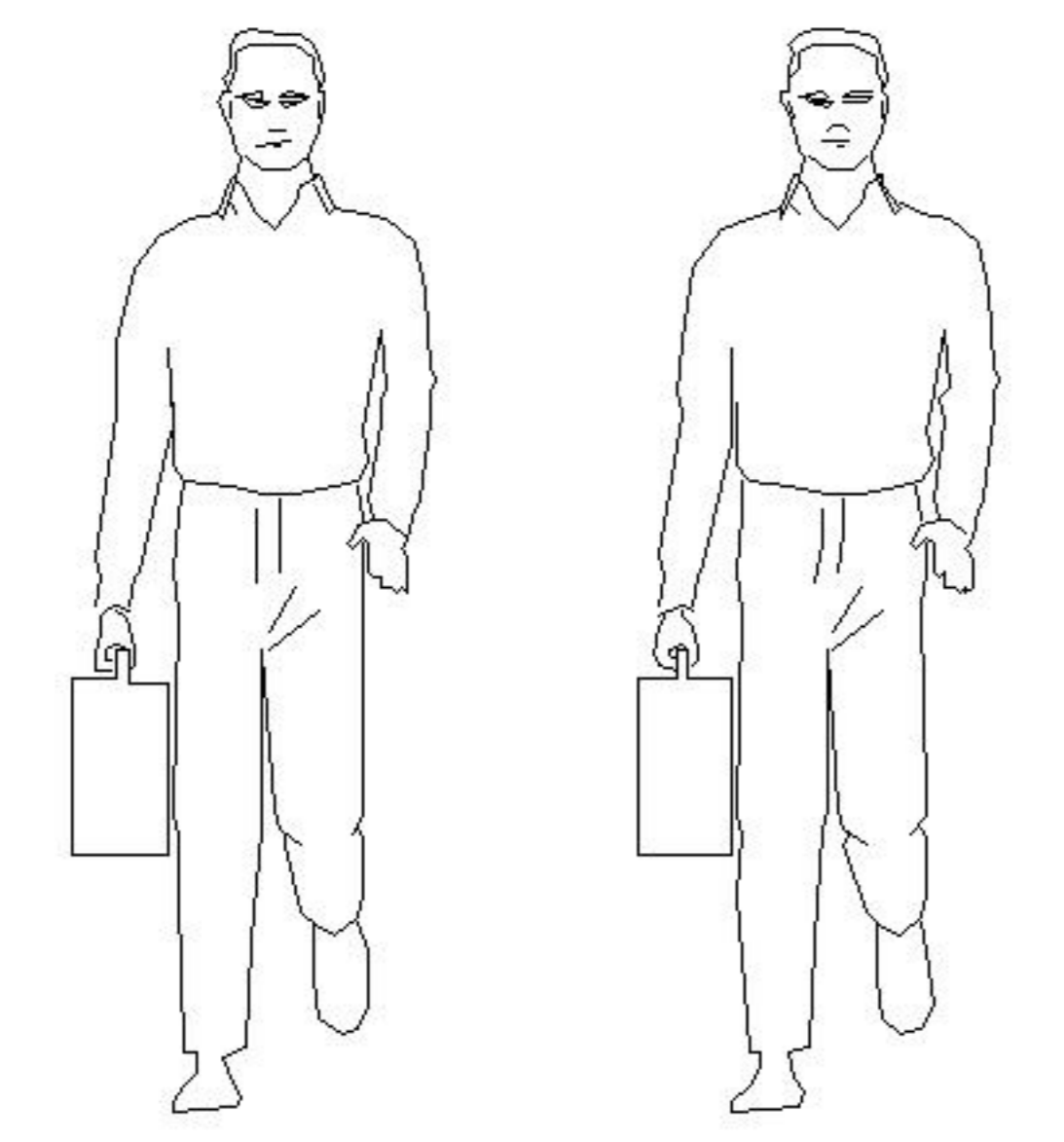


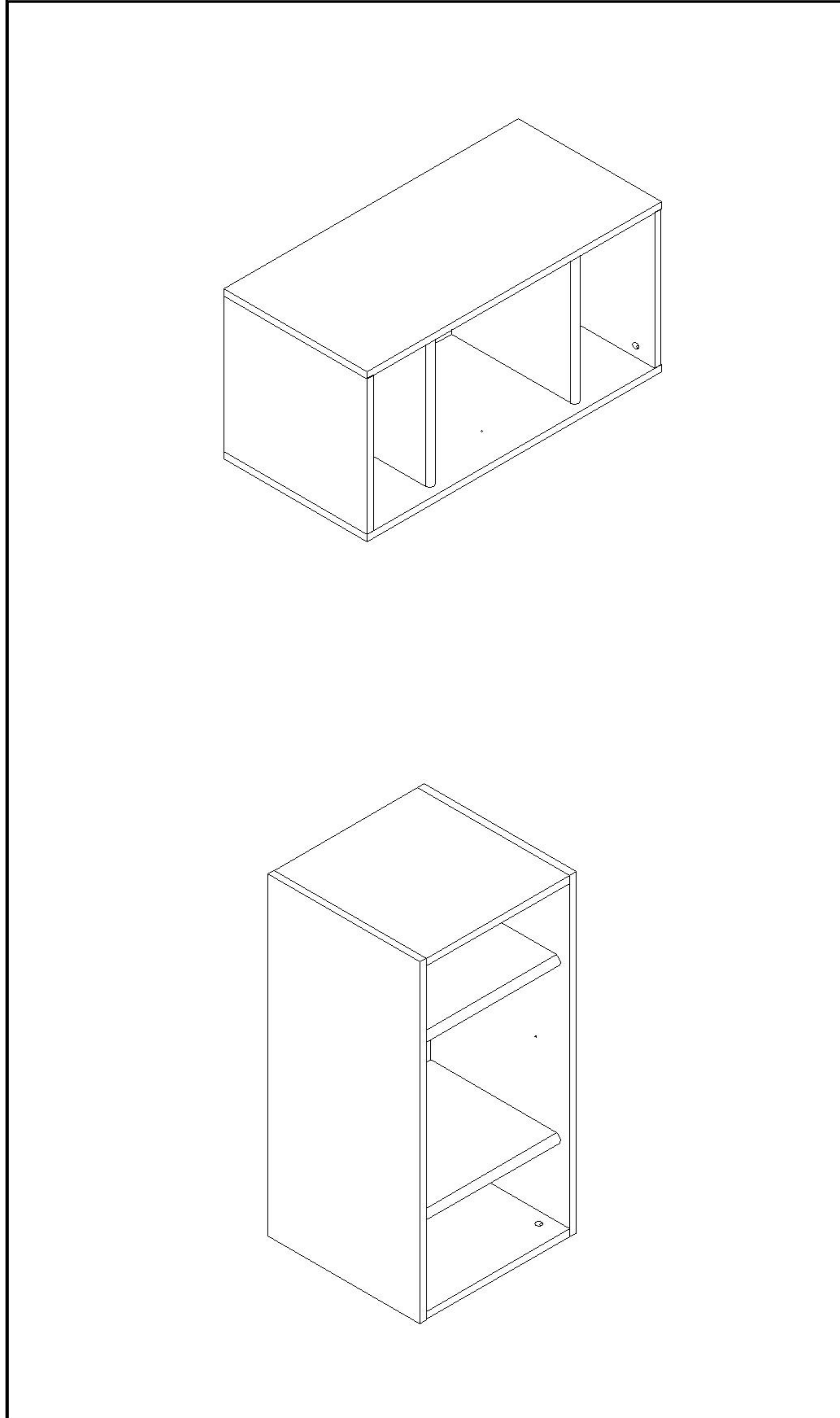
LINSY 林氏家居

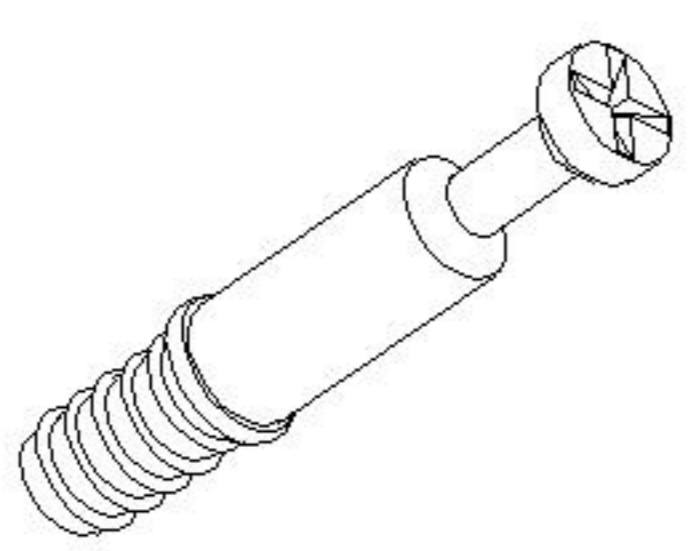
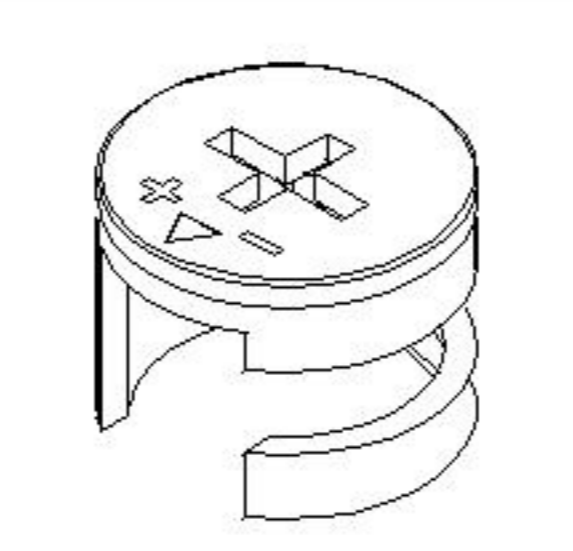
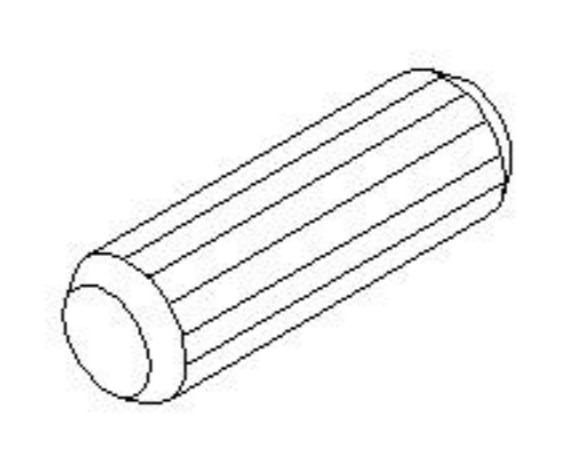
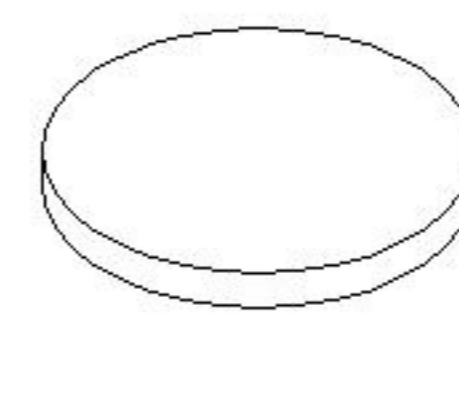
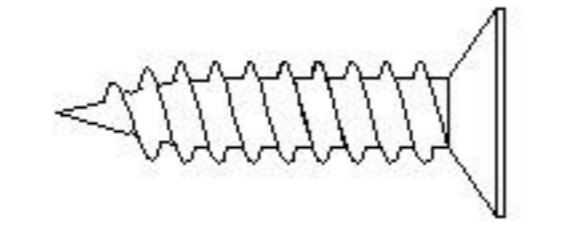
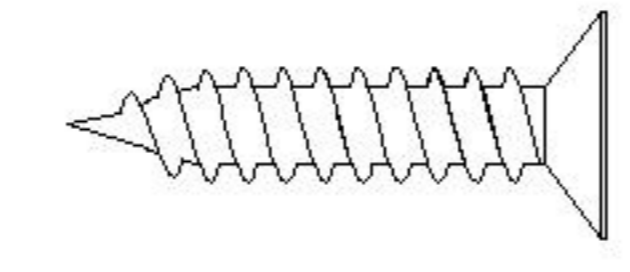
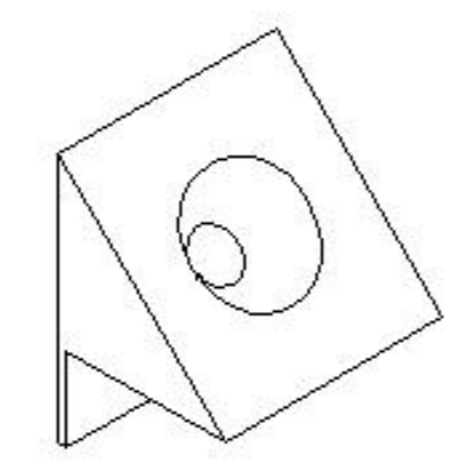
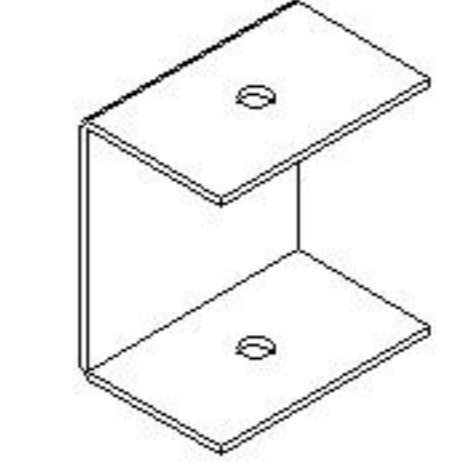
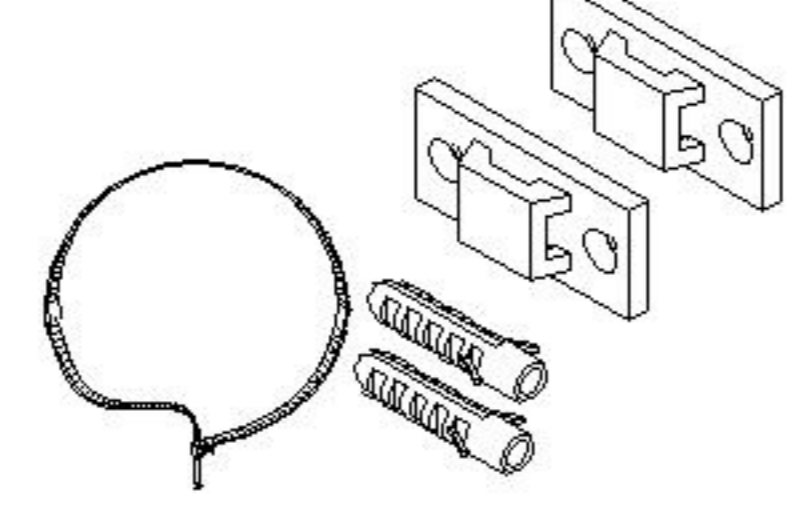
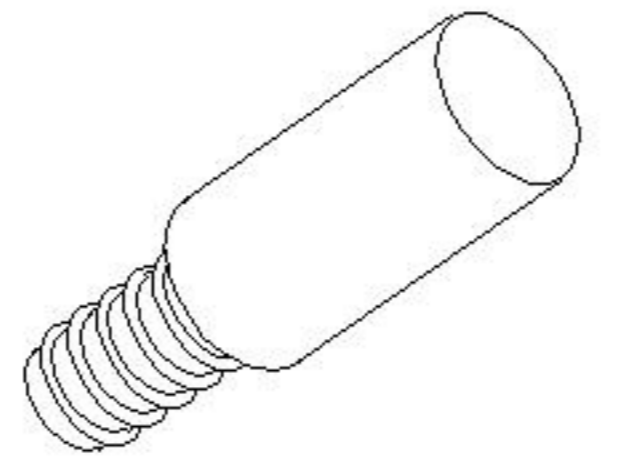
五金表/Hardware list

部件表/Parts List

安装示意图/Assembly Instruction

产品名称 Model NO.	KQ4E-A
产品规格 Specification	720*350*363mm
安装工具 Tool	安装人数 Installer
	



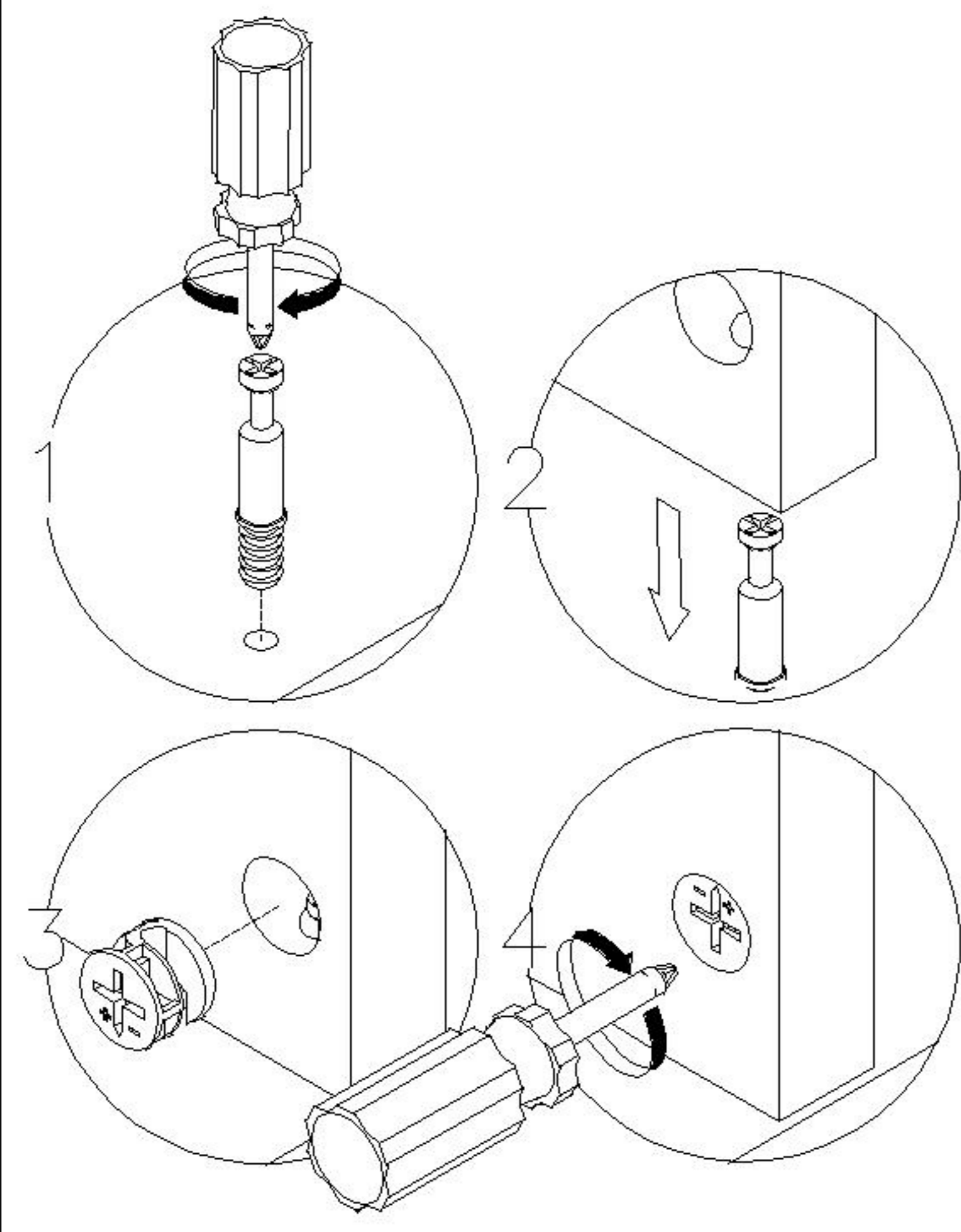
 (A)*8 二合一螺杆 2-in-1-screw	 (B)*8 大三合一锁饼 3-in-1 large lock	 (C)*8 木榫Ø8x30mm Wood tenon	 (D)*4 灰色毛毡垫 Foot pad
 (E)*4 白攻螺丝M3.5*12mm Tapping screw	 (F)*6 白攻螺丝M3.5*16mm Tapping screw	 (G)*6 背板扣 White buckle	 (H)*2 U型卡扣 U-shaped buckle
 (I)*1 家具防倒器-白色 Anti-fall device	 (J)*8 活动层板托杆 Laminated support rod		

编号NO.	名称Name	规格(mm) Specification	数量QTY	材质Material
①	顶底板Top base board	720*350*15	2	三胺板 Melamine
②	侧板Side board	330*350*15	2	三胺板 Melamine
③	中隔板 Middle clapboard	329*300*20	2	实木 Wood
④	背板Back board	698*340*5	1	三胺板 Melamine
⑤				
⑥				
⑦				
⑧				
⑨				
⑩				
⑪				
⑫				
⑬				
⑭				
⑮				
⑯				
⑰				
⑱				
⑲				
⑳				
㉑				
㉒				
㉓				
㉔				
㉕				

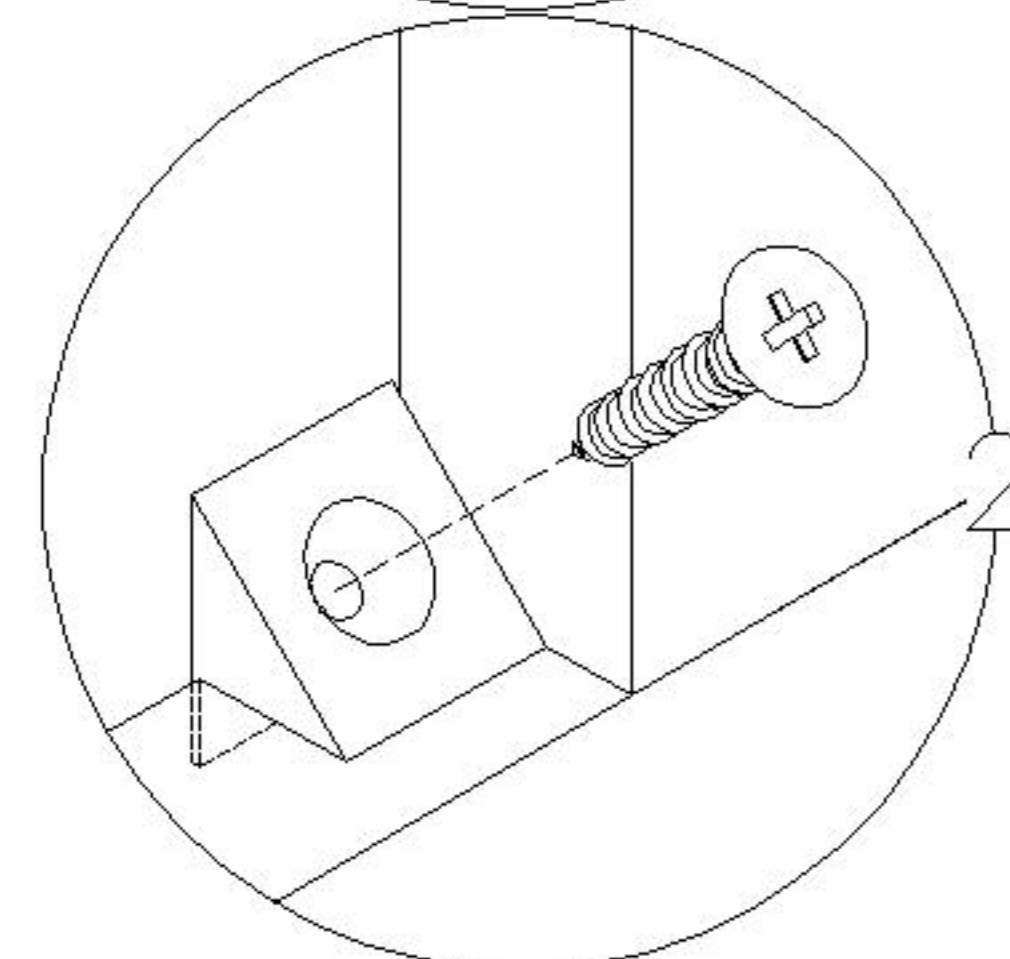
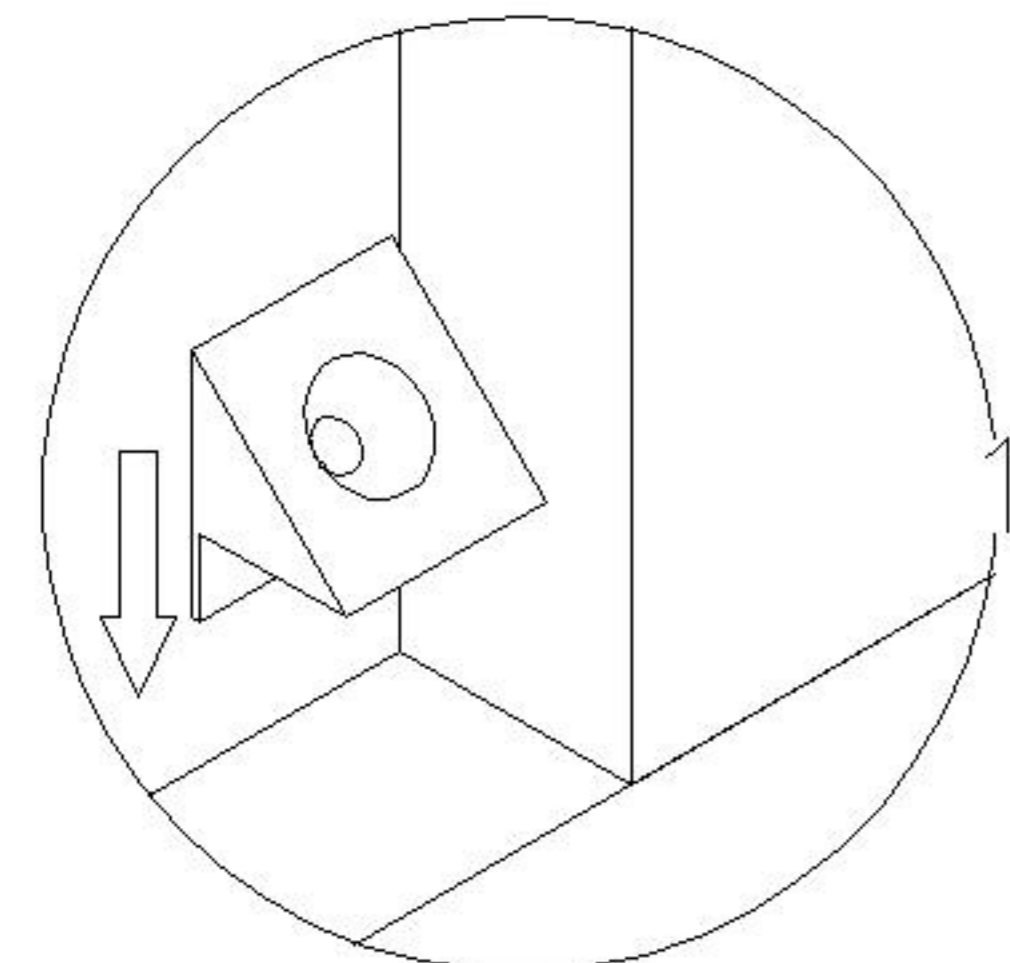
KQ4E-A

安装方法

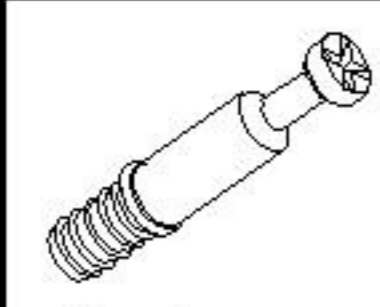
Installation method



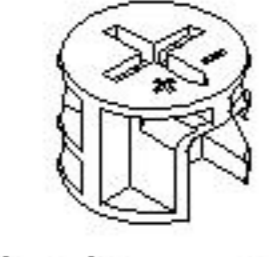
二合一 two-in-one



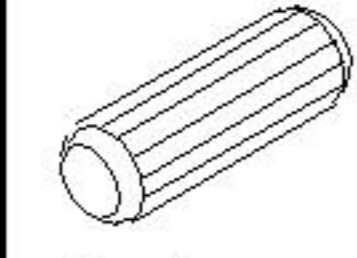
背板扣
Back Plate Buckle



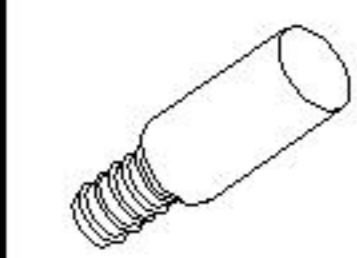
(A) *8



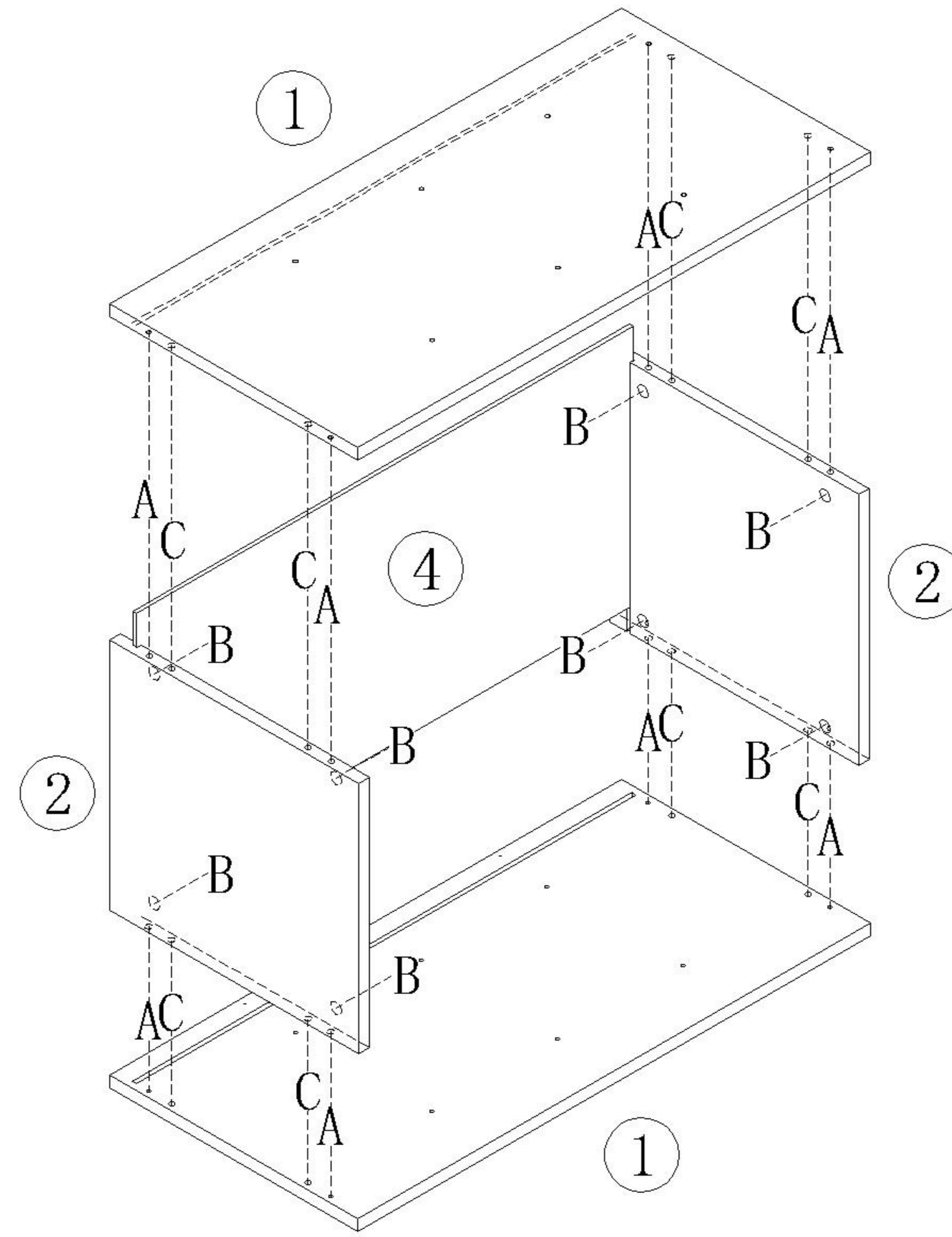
(B) *8



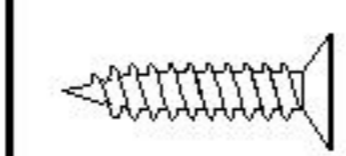
(C) *8



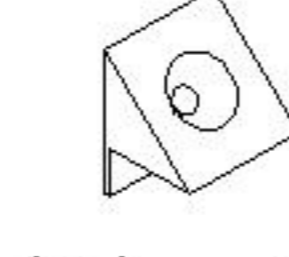
(J) *8



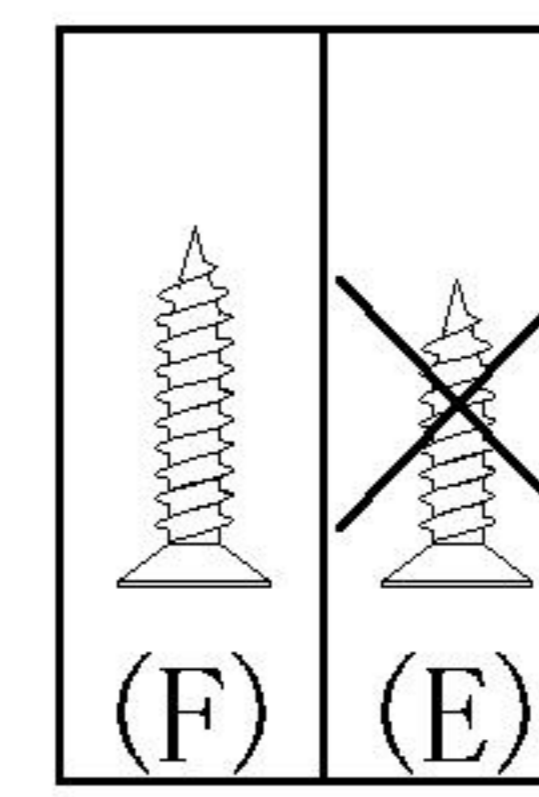
1



(F) *6



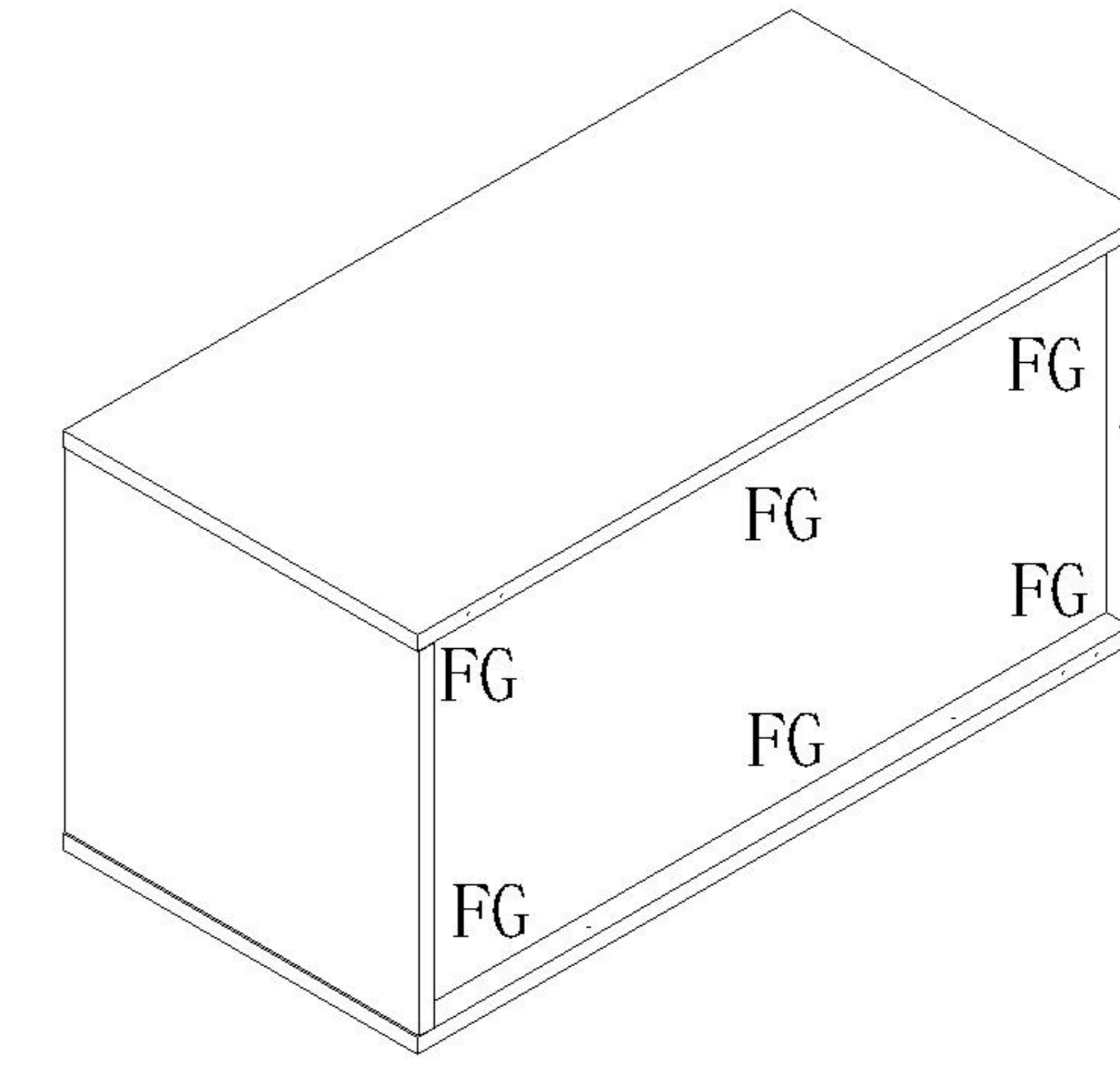
(G) *6



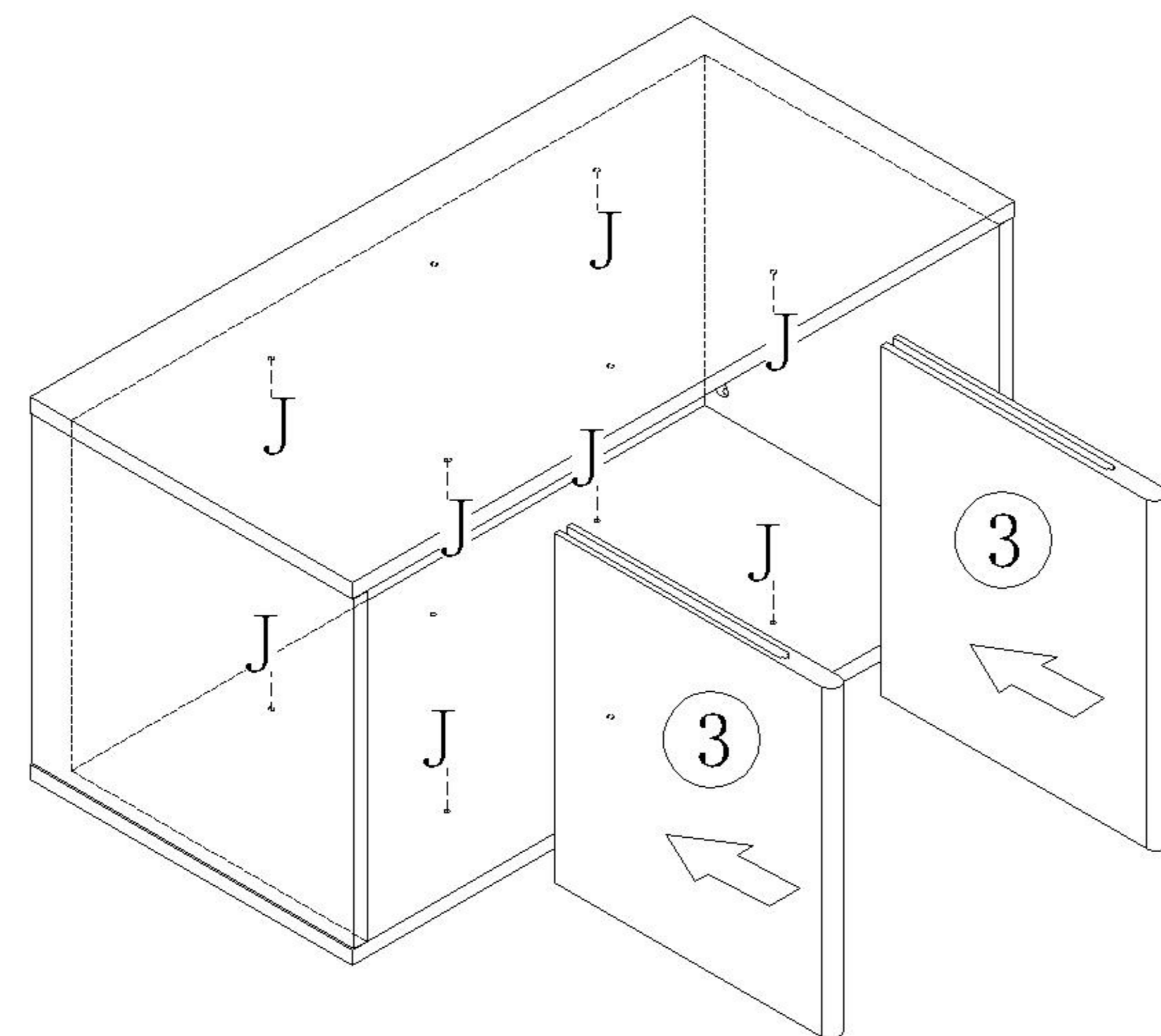
(F)

(E)

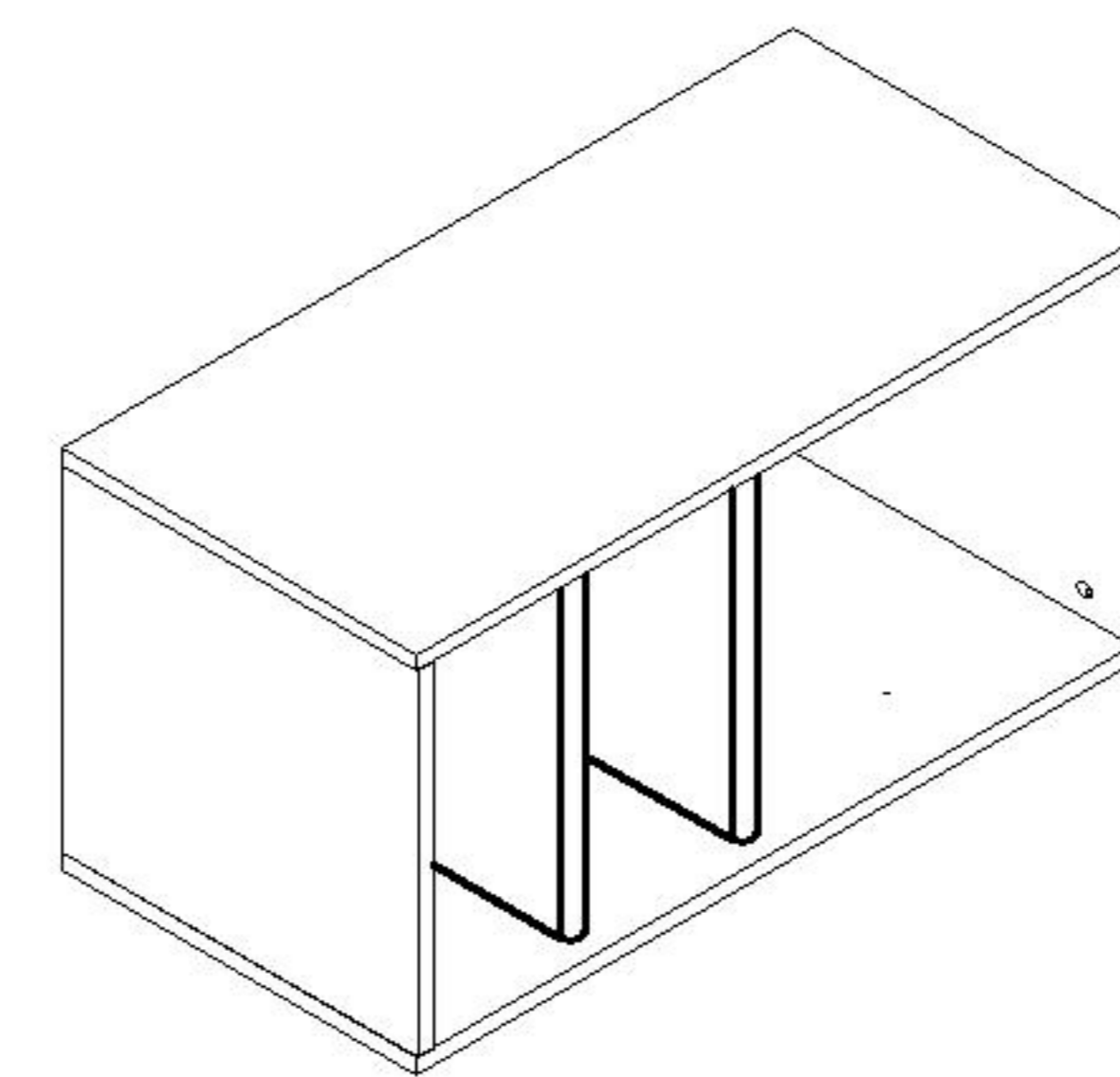
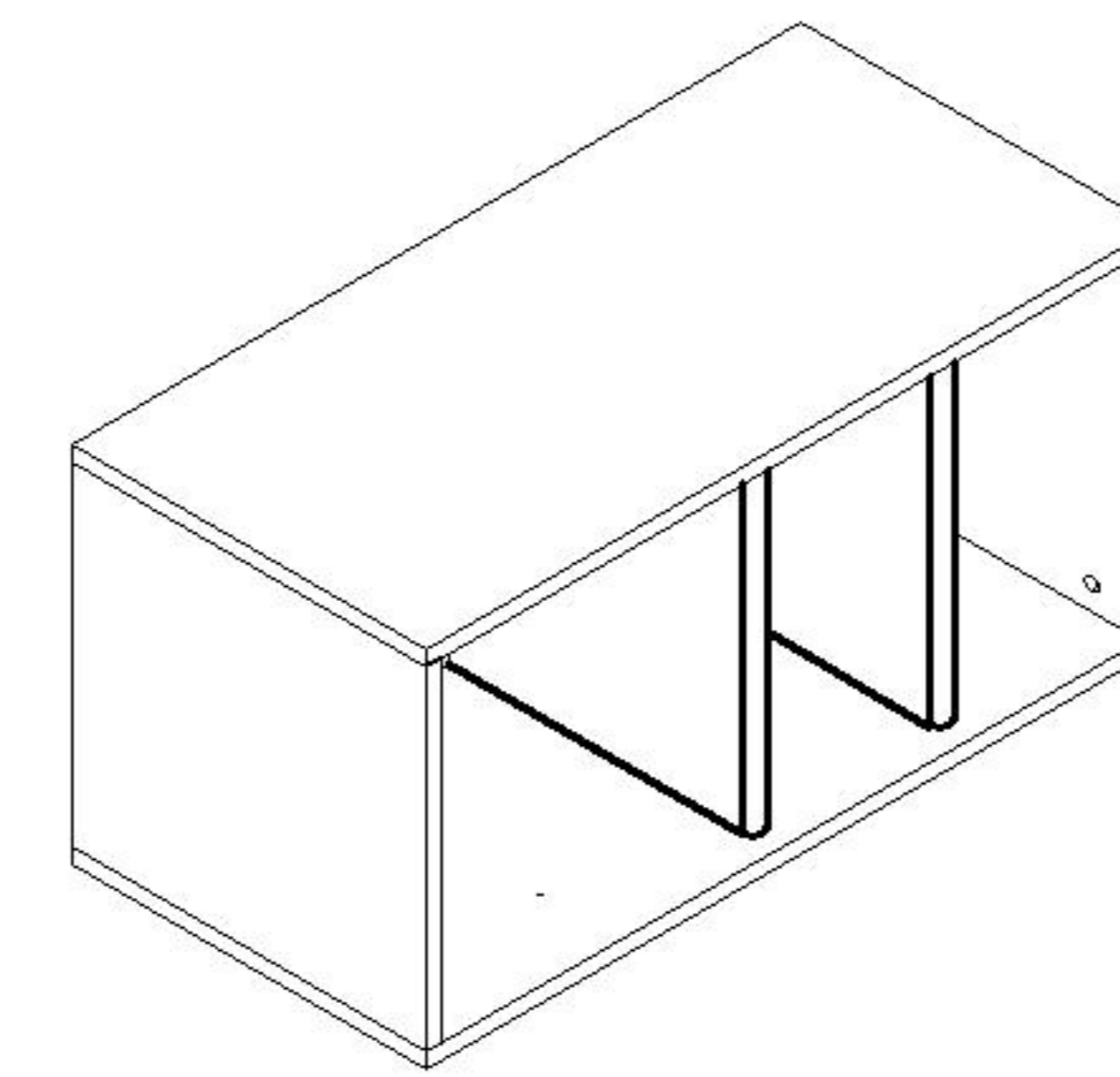
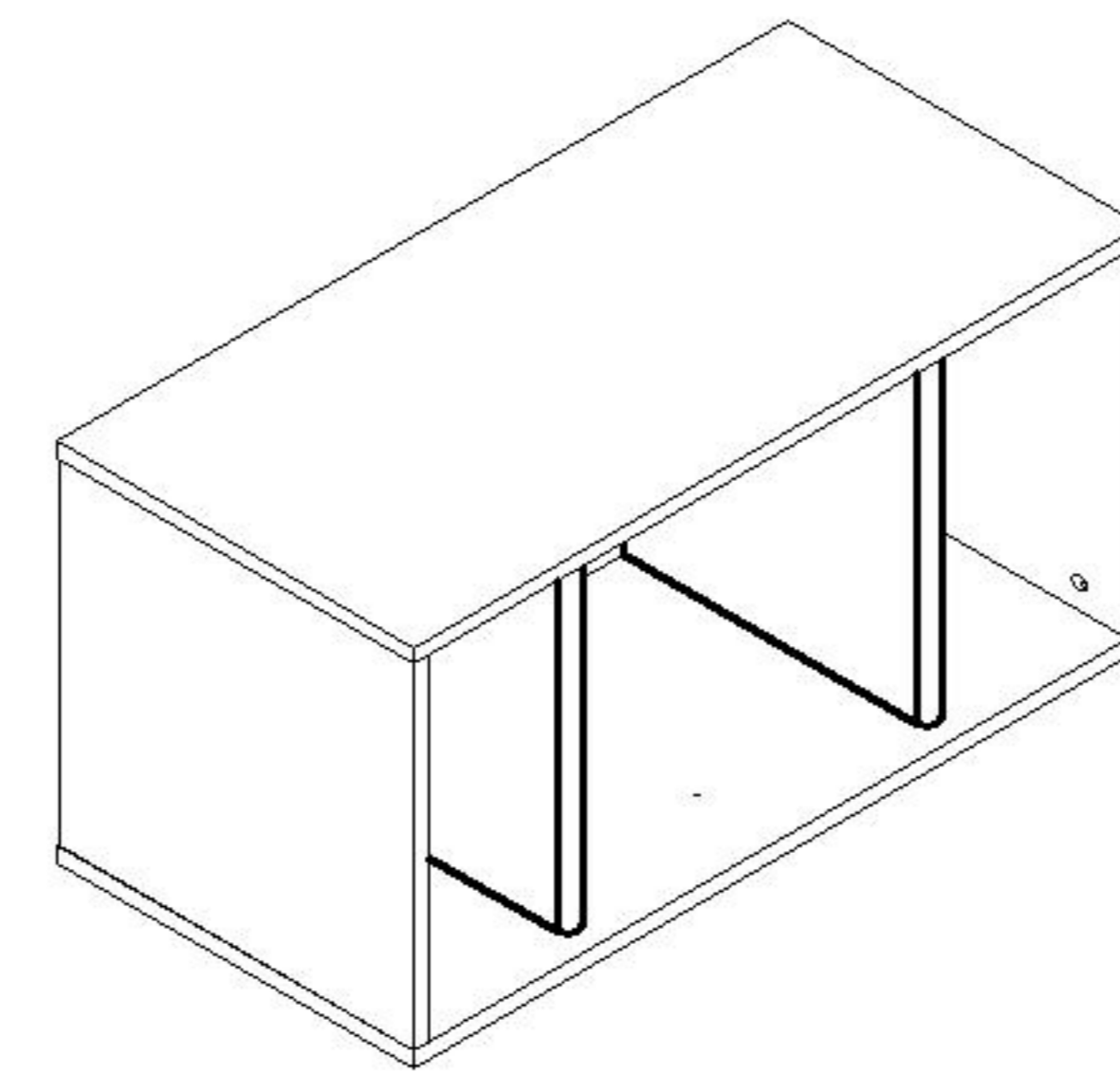
2



中隔板可自由安装
The middle partition can be freely installed

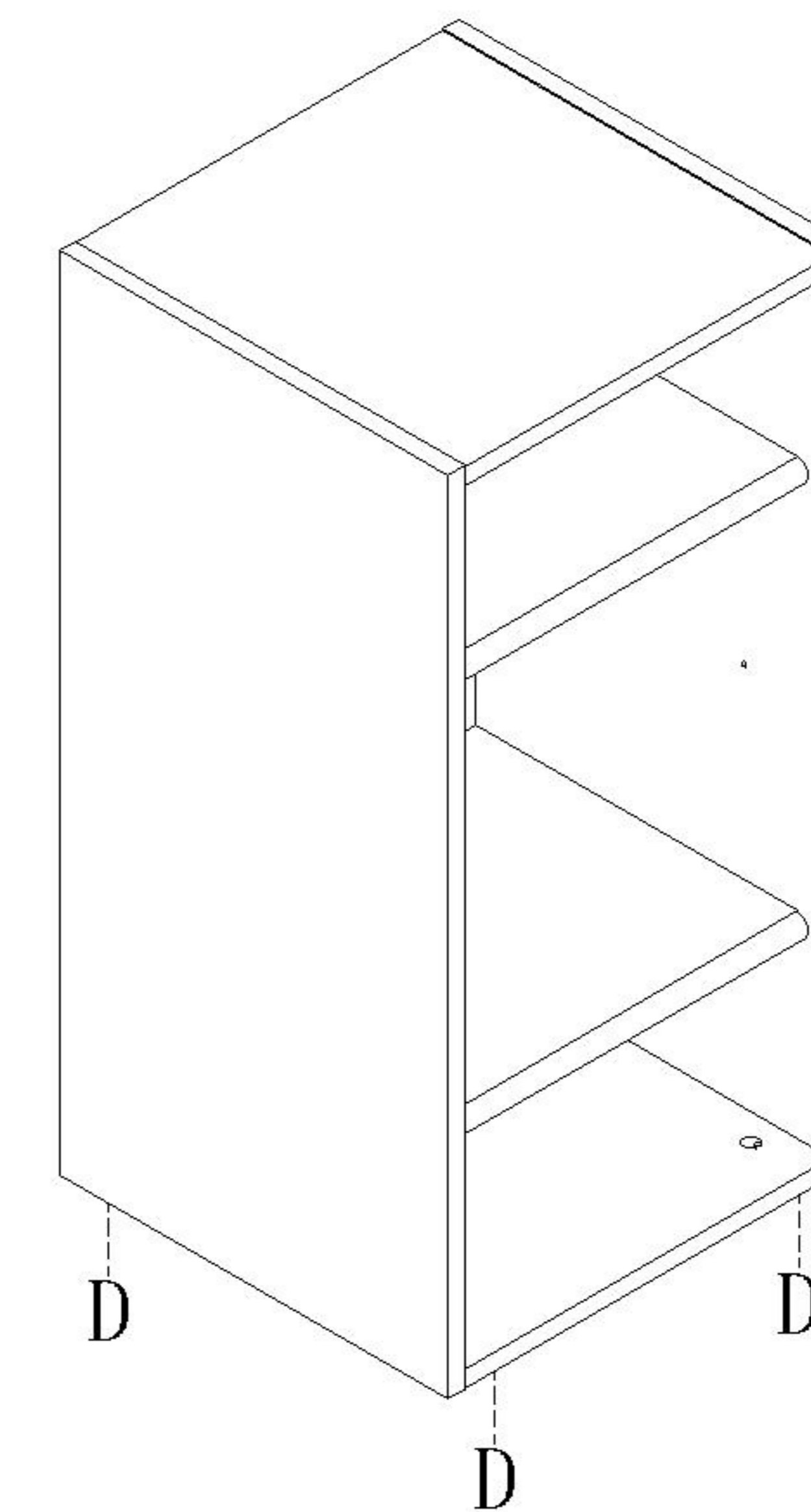


3

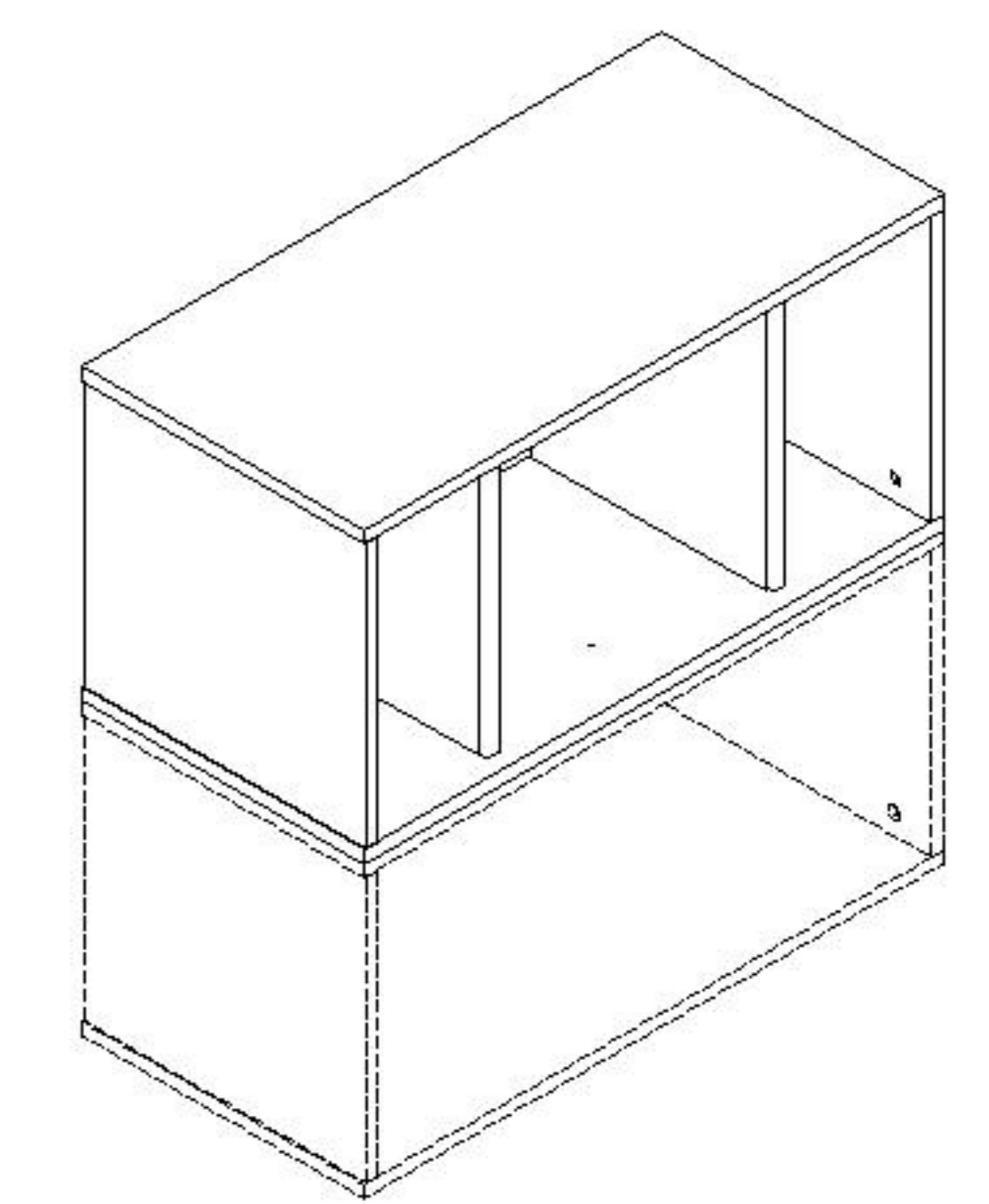


(D) *4

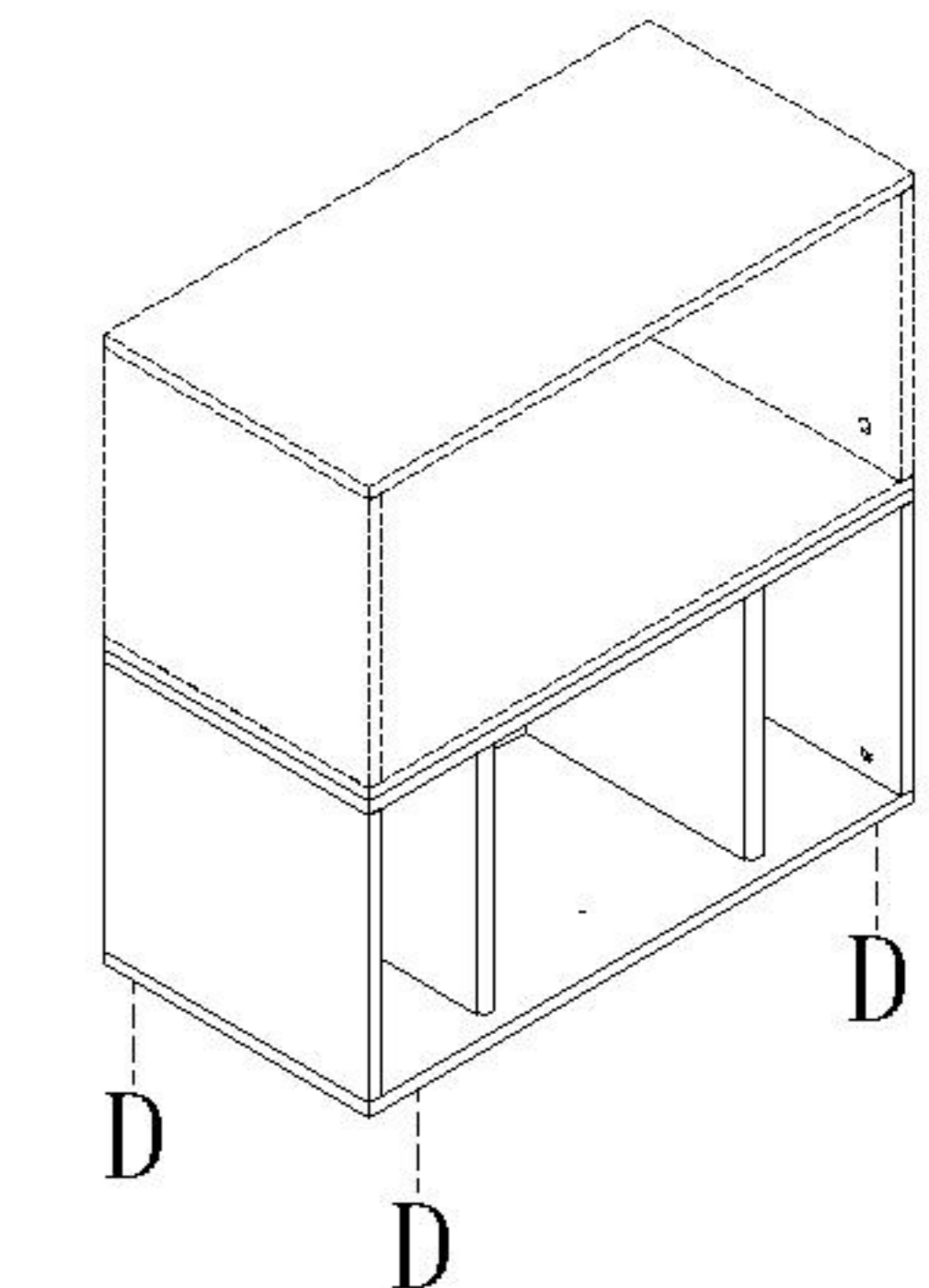
根据自己的摆放方式安装五金(D)
Install hardware according to your own placement method (D)



4

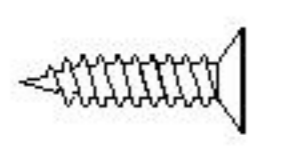
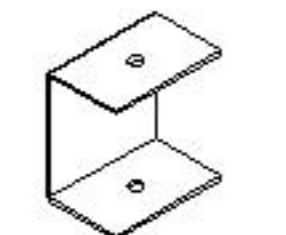


无接触地面不需安装五金(D)
No need to install hardware without touching the ground (D)

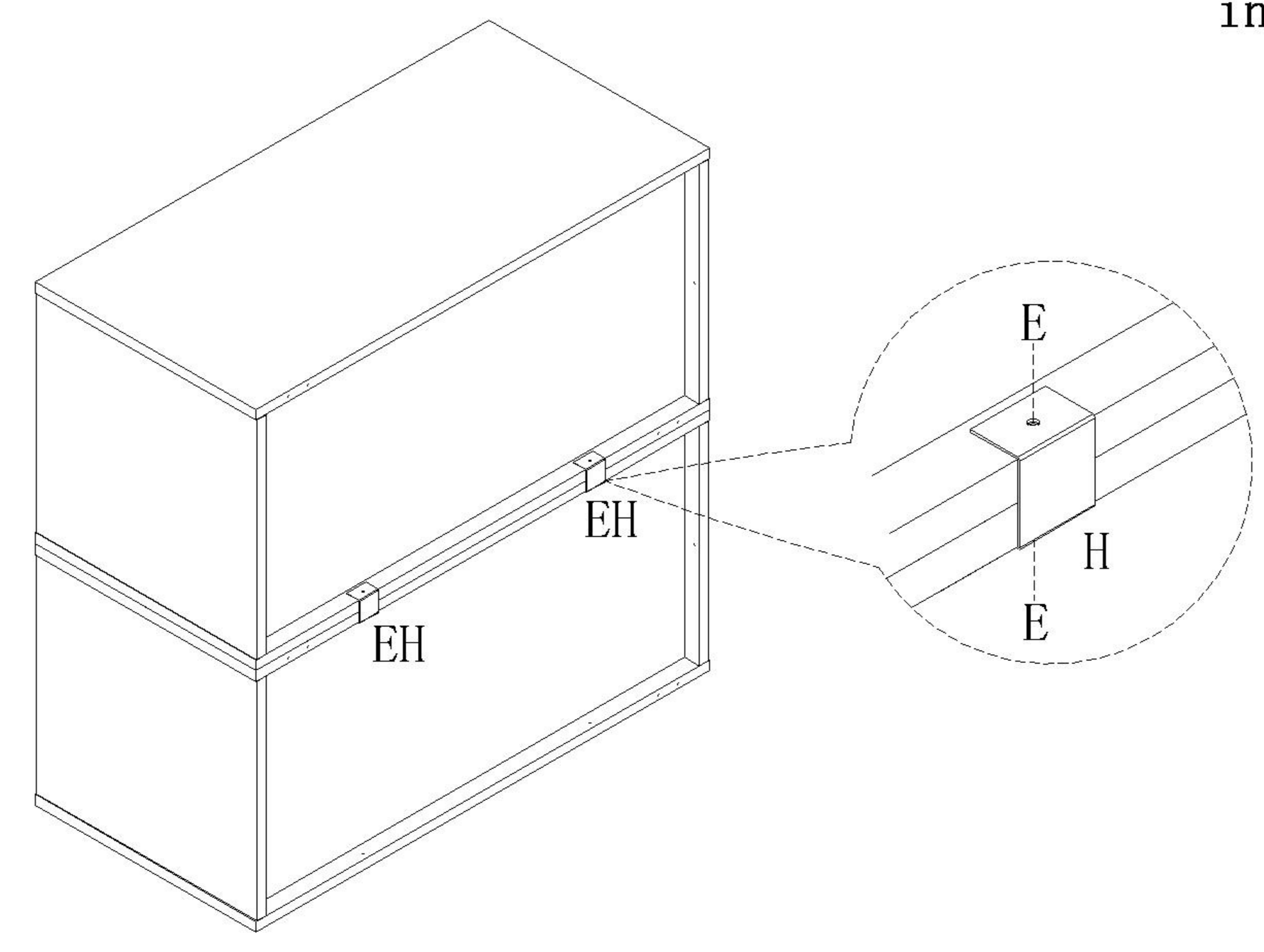


接触地面需安装五金(D)
Hardware installation required for contact with the ground (D)

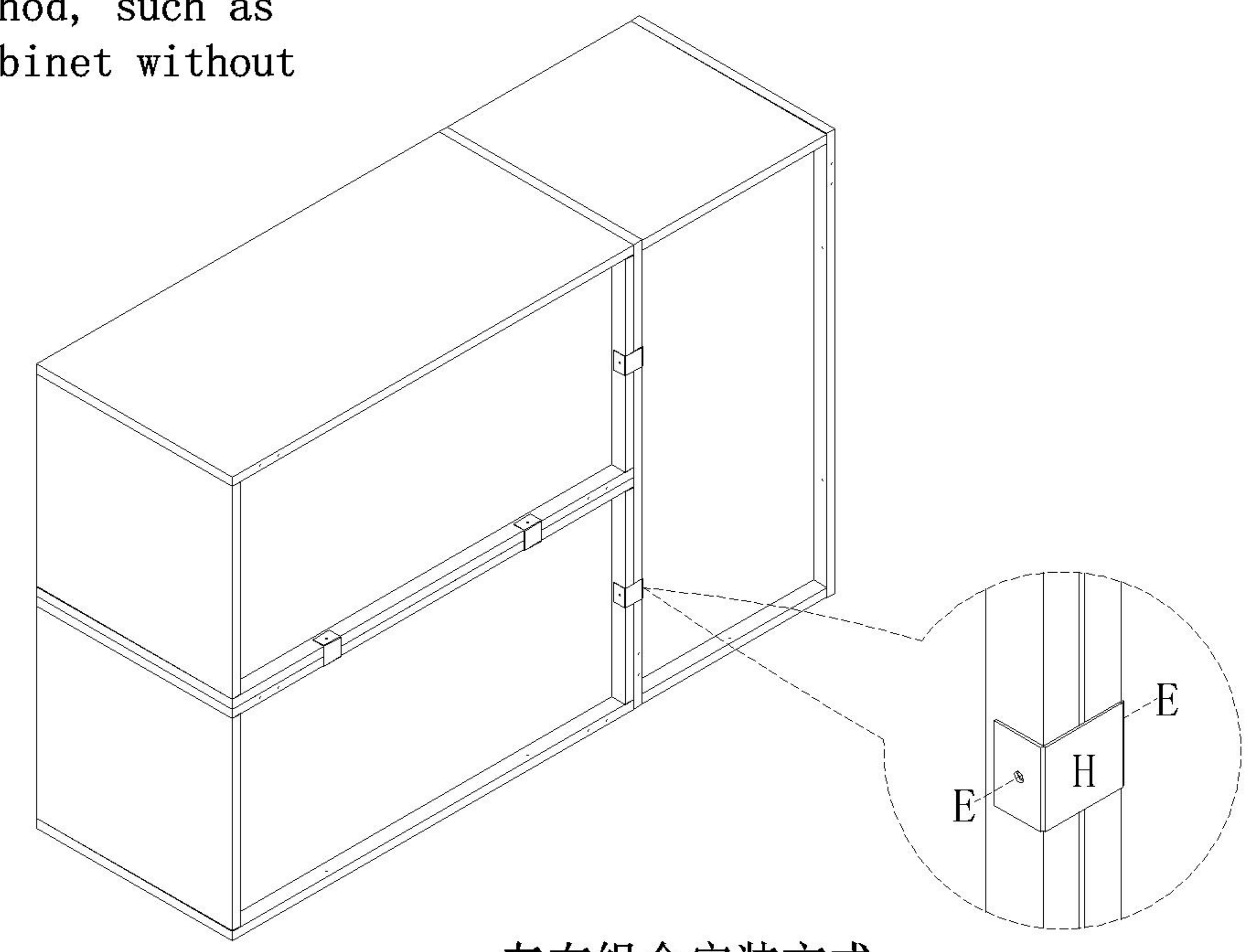
安装方法 Installation method

-  (E)*4
-  (H)*2

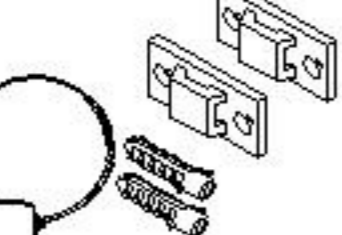
组合连接方式, 如只购买单个柜体无需安装
Combination connection method, such as purchasing only a single cabinet without installation



上下组合安装方式
Upper and lower combination installation method



左右组合安装方式
Left and right combination installation method

-  (I)*1

柜子组合高度超600MM需安装上防倒器
Cabinet combination height exceeding 600MM requires installation of an anti fall device

