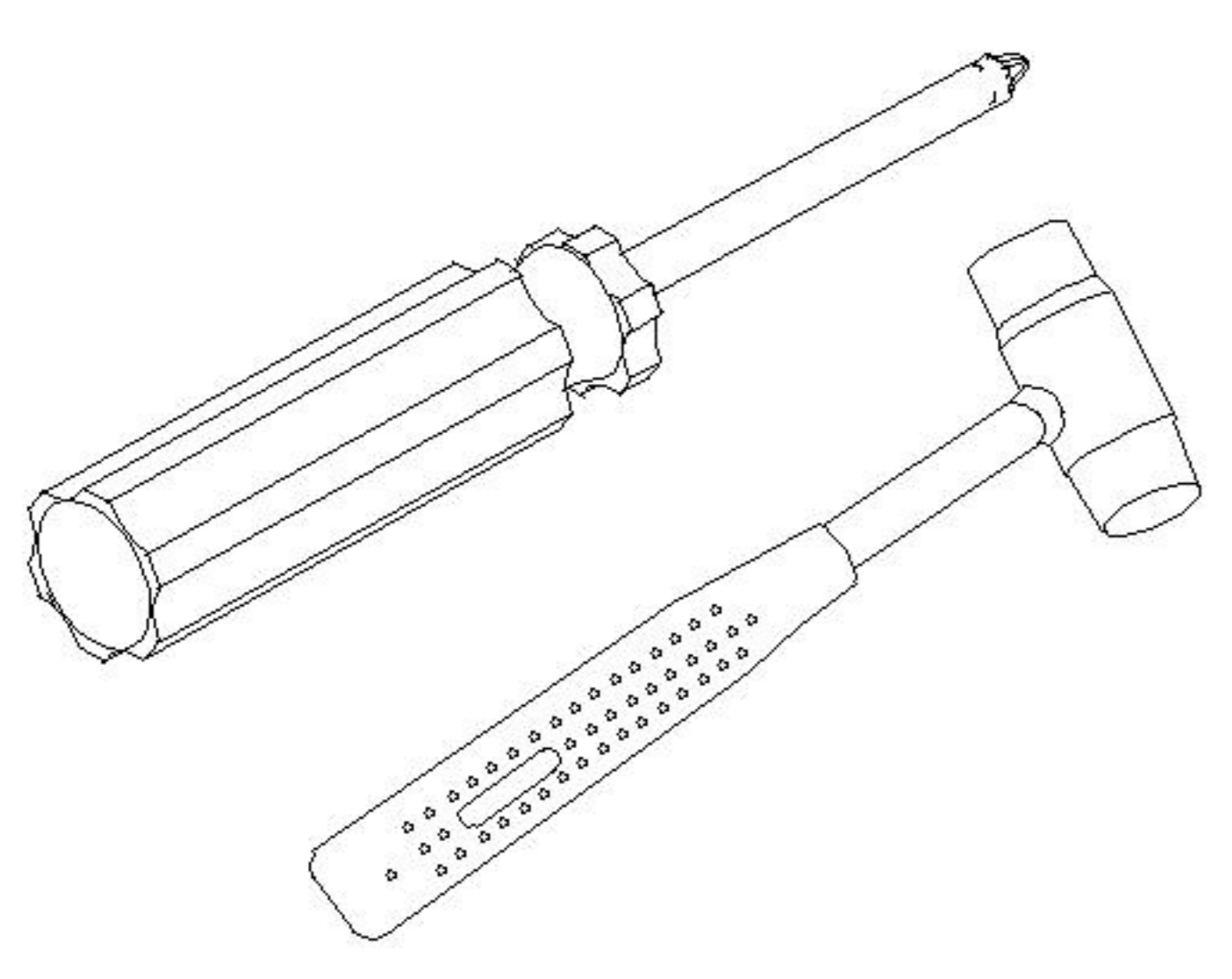
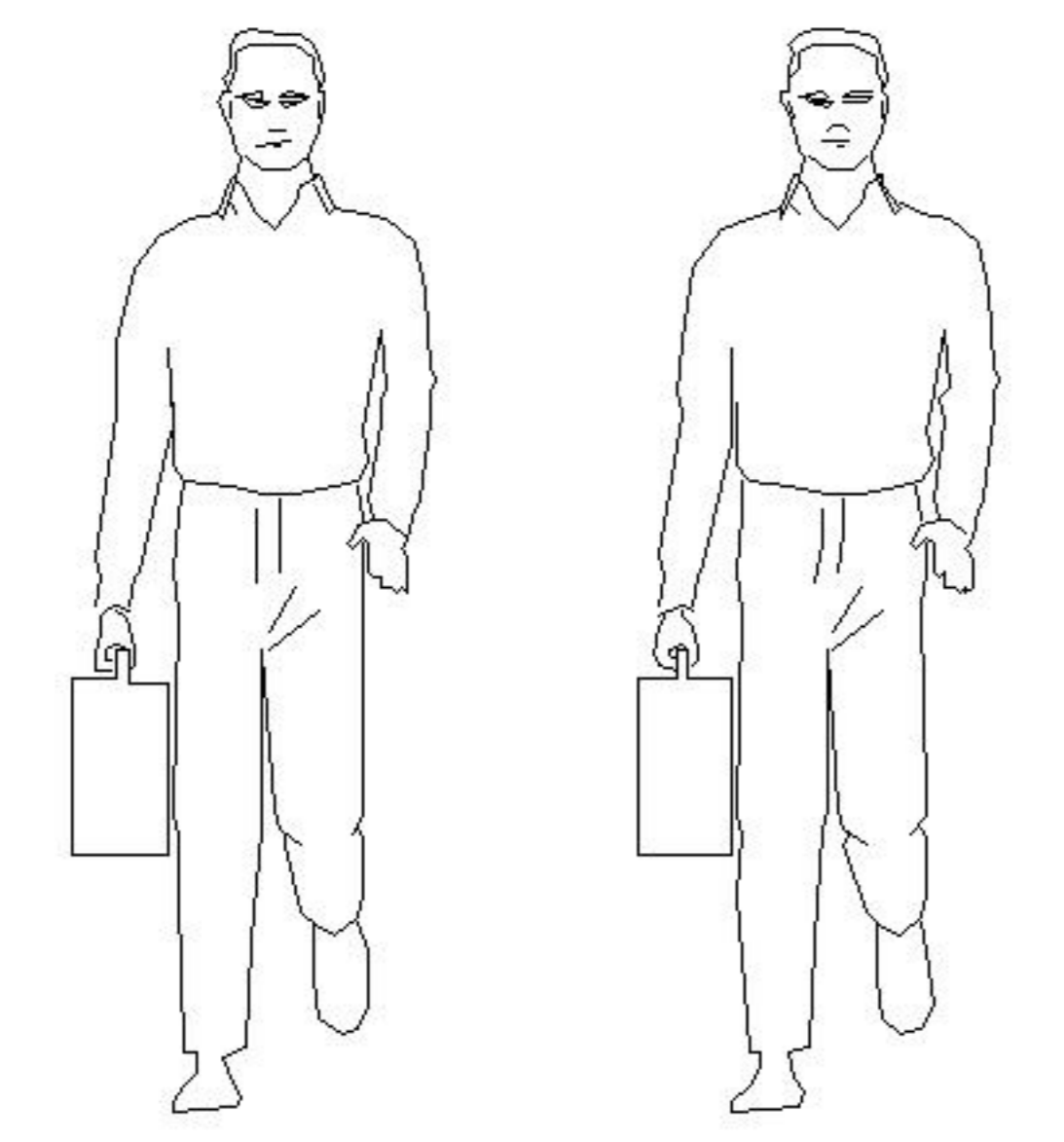


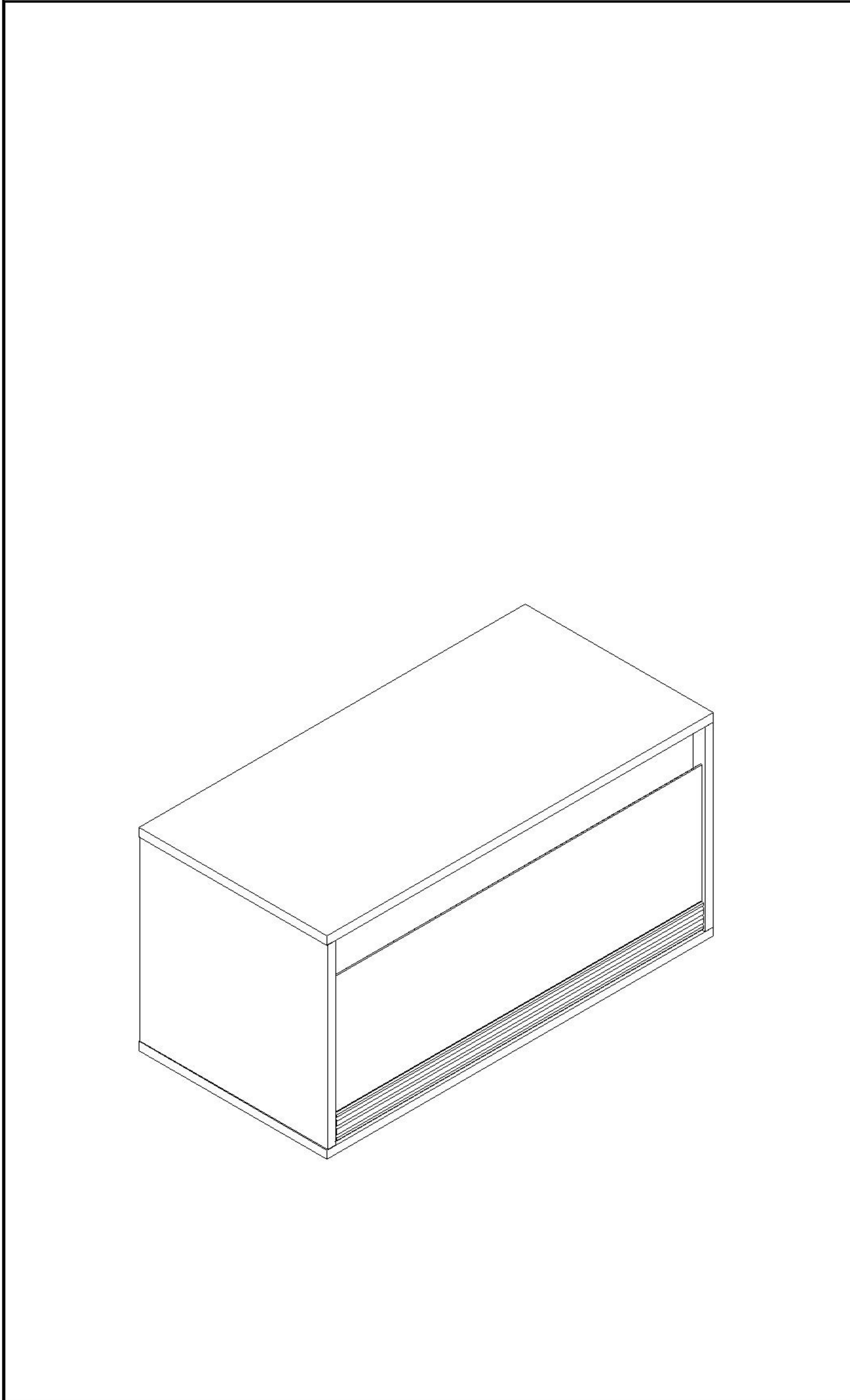
# LINSY 林氏家居

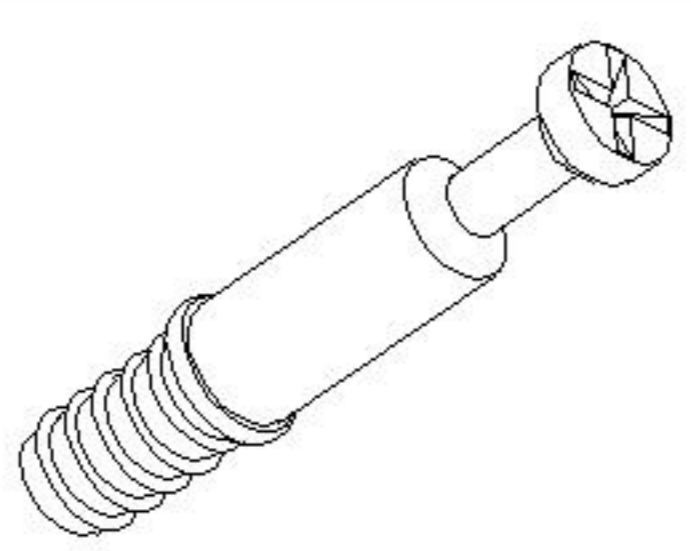
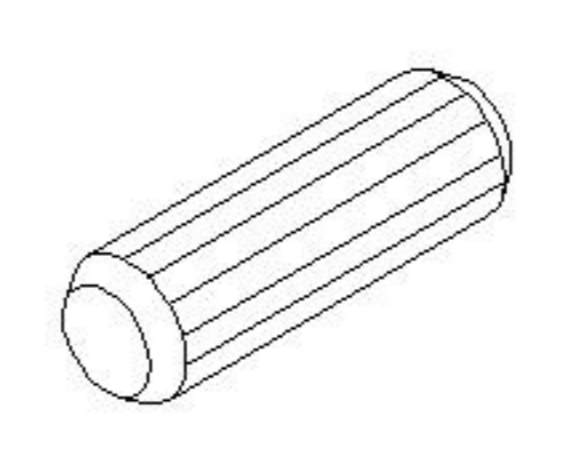
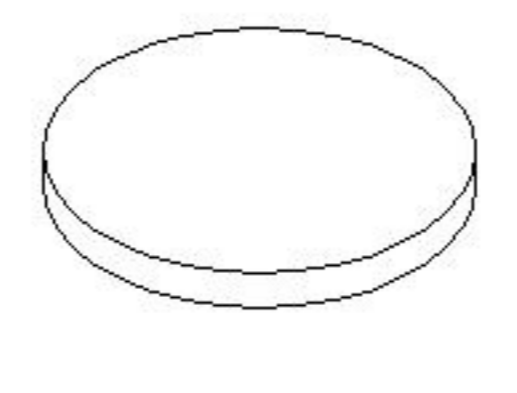
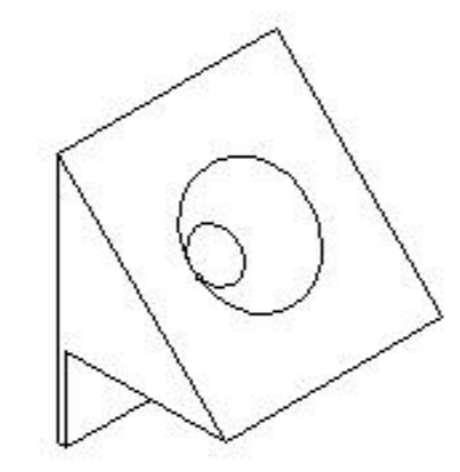
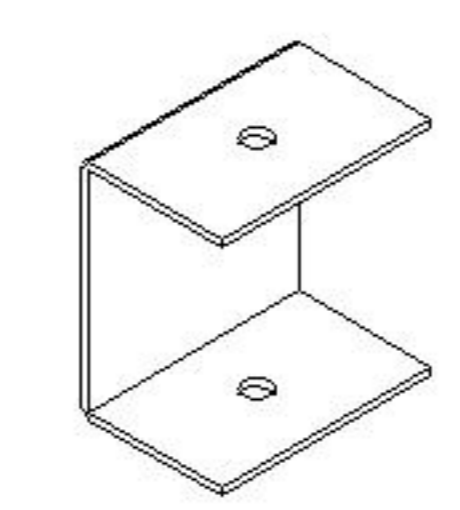
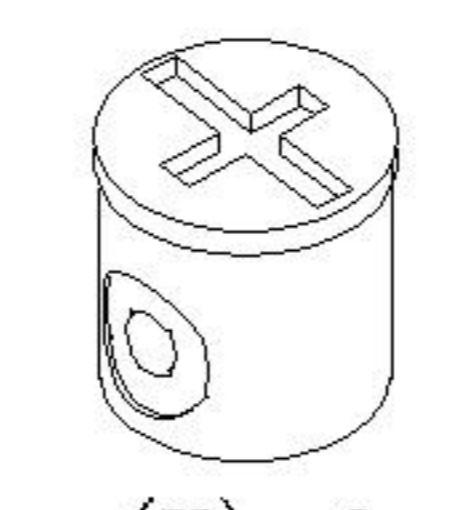
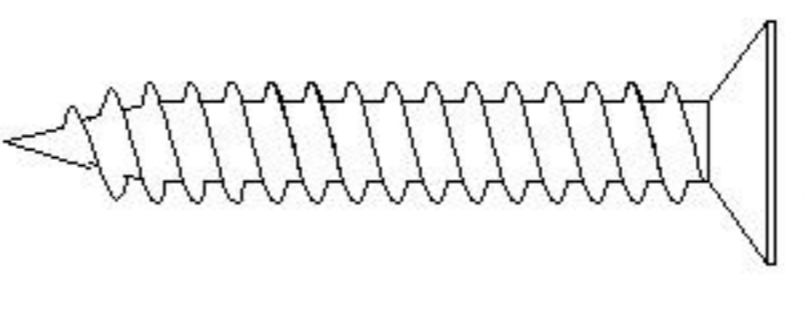
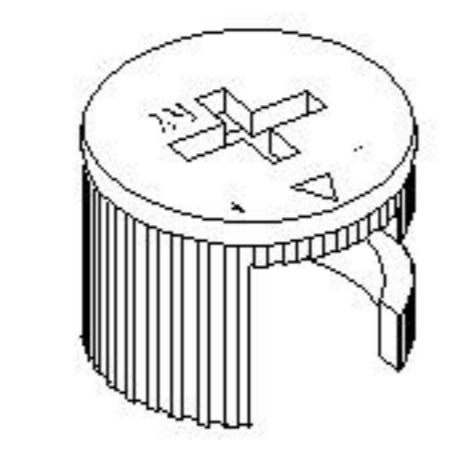
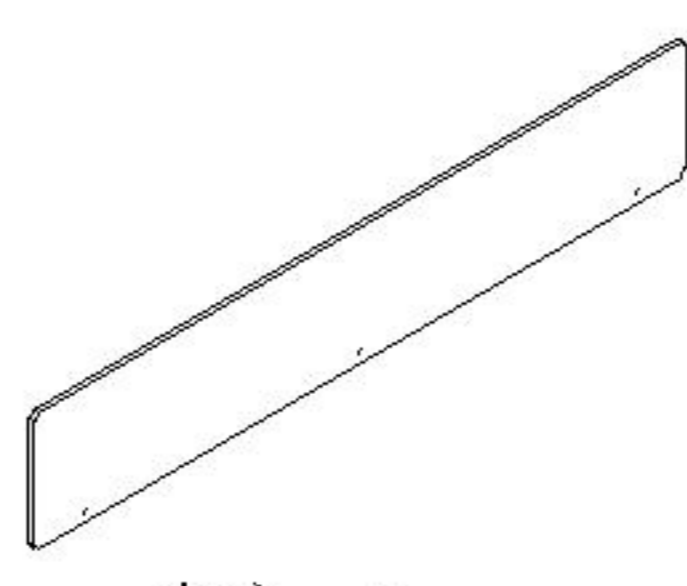
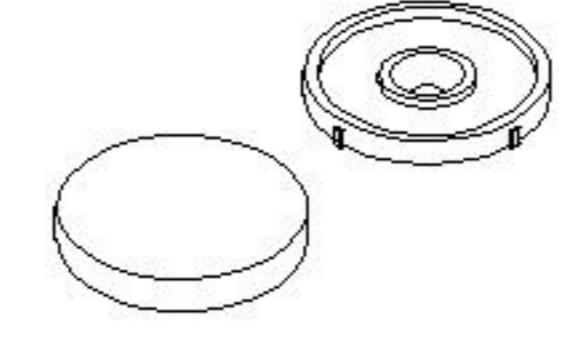
## 五金表/Hardware list

## 部件表/Parts List

### 安装示意图/Assembly Instruction

产品名称 Model NO.	KQ7E-A
产品规格 Specification	720*350*363mm
安装工具 Tool	安装人数 Installer
	



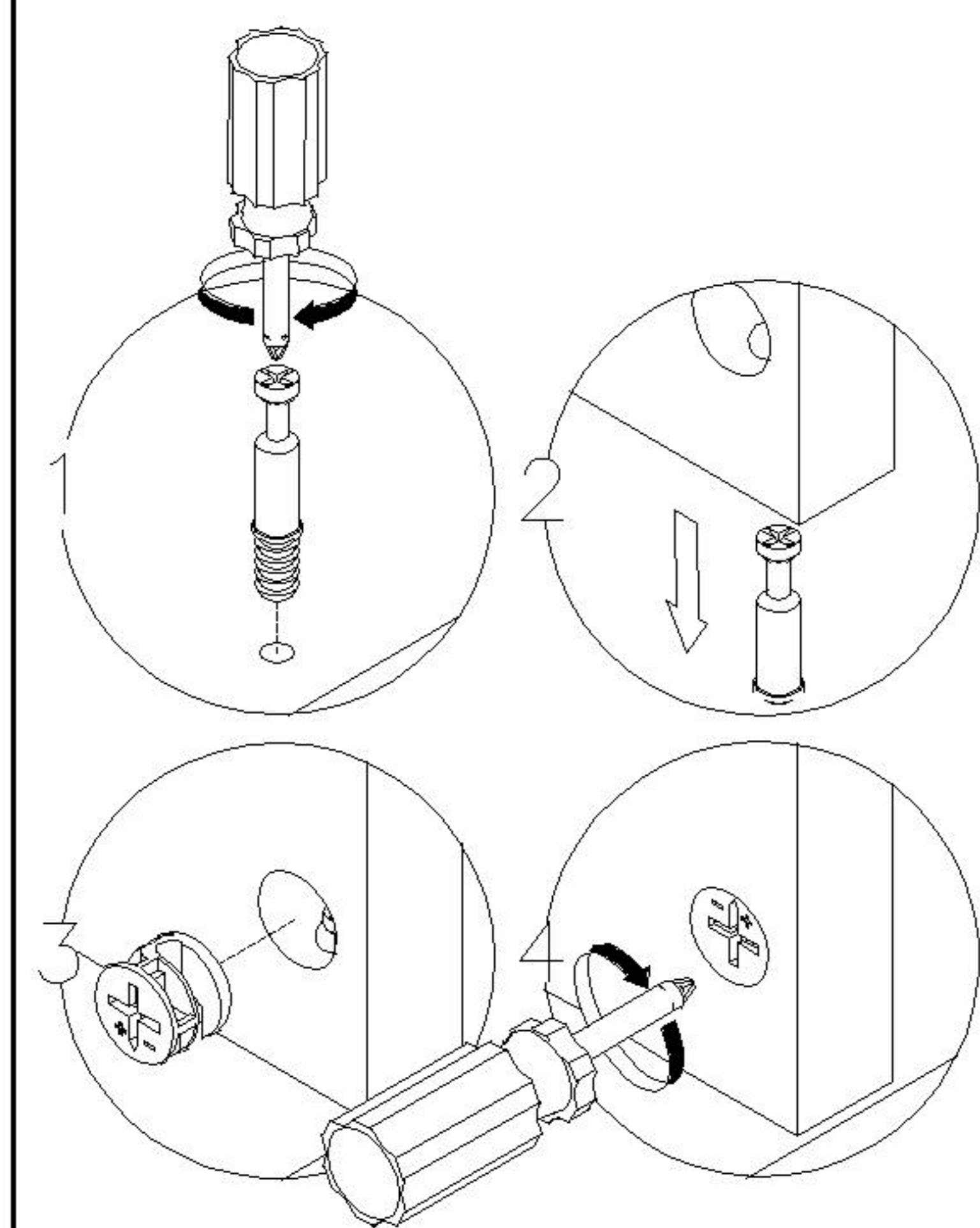
 (A)*8 二合一螺杆 2-in-1-screw	 (B)*8 大三合一锁饼 3-in-1 large lock	 (C)*8 木榫Ø8x30mm Wood tenon	 (D)*4 灰色毛毡垫 Foot pad
 (E)*17 白攻螺丝M3.5*12mm Tapping screw	 (F)*9 白攻螺丝M3.5*16mm Tapping screw	 (G)*6 背板扣 White buckle	 (H)*2 U型卡扣 U-shaped buckle
 (I)*1 家具防倒器-白色 Anti-fall device	 (J)*1 三节滚珠导轨10" Three-section rail	 (K)*6 塑料螺母 Plastic Nut	 (L)*6 白攻螺丝M4*10mm Tapping screw
 (M)*6 小二合一杆 2-in-1 small rod	 (N)*6 小三合一锁饼 3-in-1 small lock	 (O)*1 亚克力 Acrylic	 (P)*3 镜钉 Mirror nail

编号NO.	名称Name	规格(mm) Specification	数量QTY	材质Material
①	顶底板Top base board	720*350*15	2	三胺板 Melamine
②	侧板Side board	330*350*15	2	三胺板 Melamine
③	背板Back board	698*340*5	1	三胺板 Melamine
④	抽屉面板组立 Drawer panels assembly	684*265*18	1	三胺板+实木 Melamine+Wood
⑤	抽屉后板 Drawer's Back board	638*174*12	1	三胺板 Melamine
⑥	抽屉右侧板 Drawer's side board(R)	295*174*12	1	三胺板 Melamine
⑦	抽屉左侧板 Drawer's side board(L)	295*174*12	1	三胺板 Melamine
⑧	抽屉底板 Drawer's Bottom board	648*291*5	1	三胺板 Melamine
⑨	抽屉底托条 Drawer's bottom bracket	281*58*12	1	三胺板 Melamine
⑩				
⑪				
⑫				
⑬				
⑭				
⑮				
⑯				
⑰				
⑱				
⑲				
⑳				
㉑				
㉒				
㉓				
㉔				
㉕				

KQ7E-A

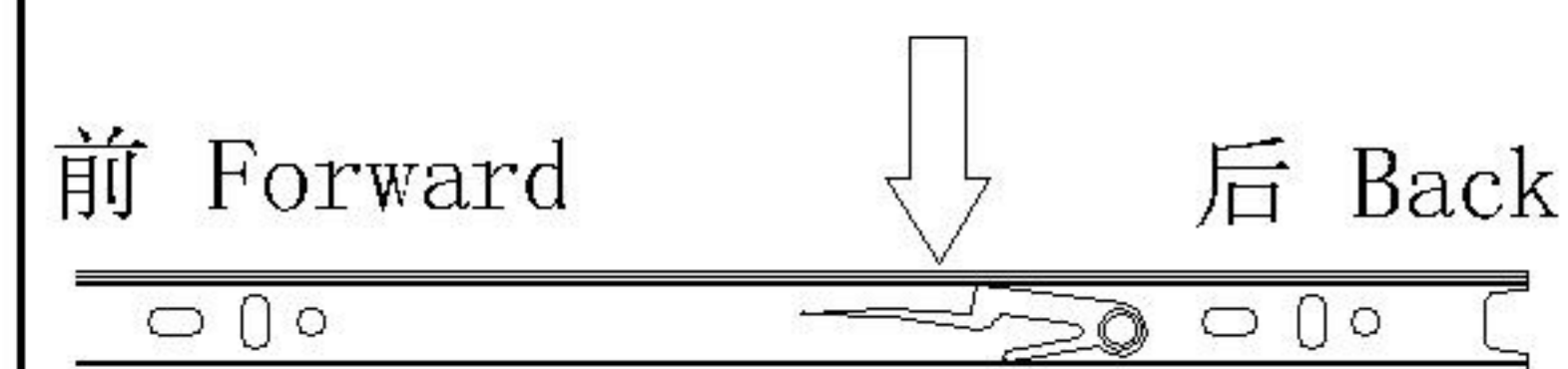
# 安装方法

## Installation method

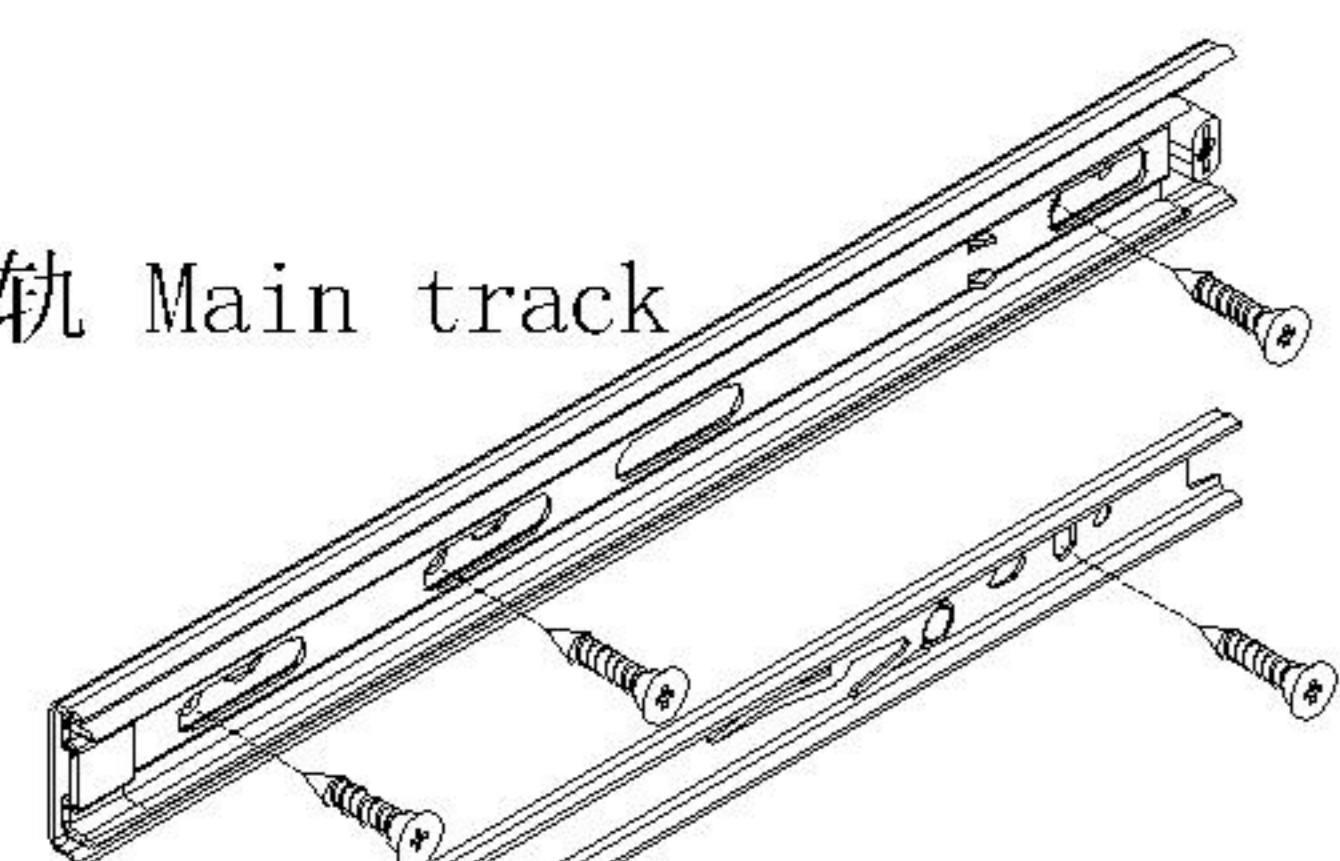


二合一 two-in-one

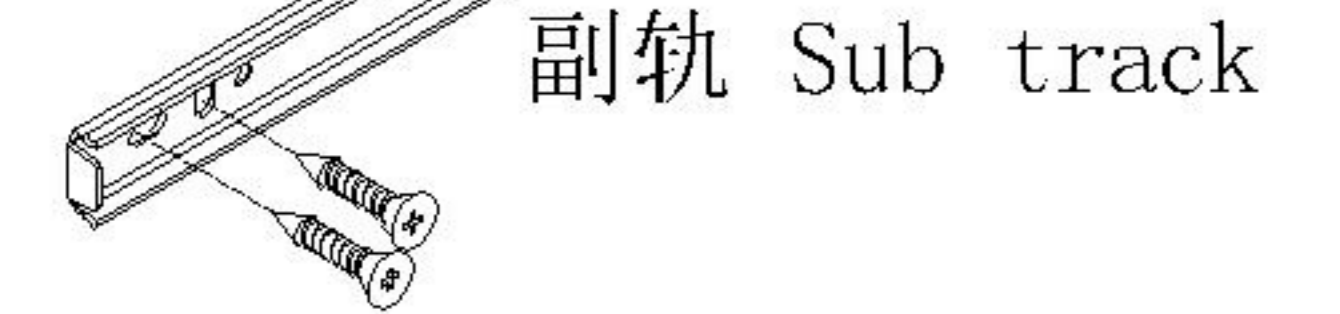
阀门开关(下压为开)  
Valve switch (press down to open)



主轨 Main track

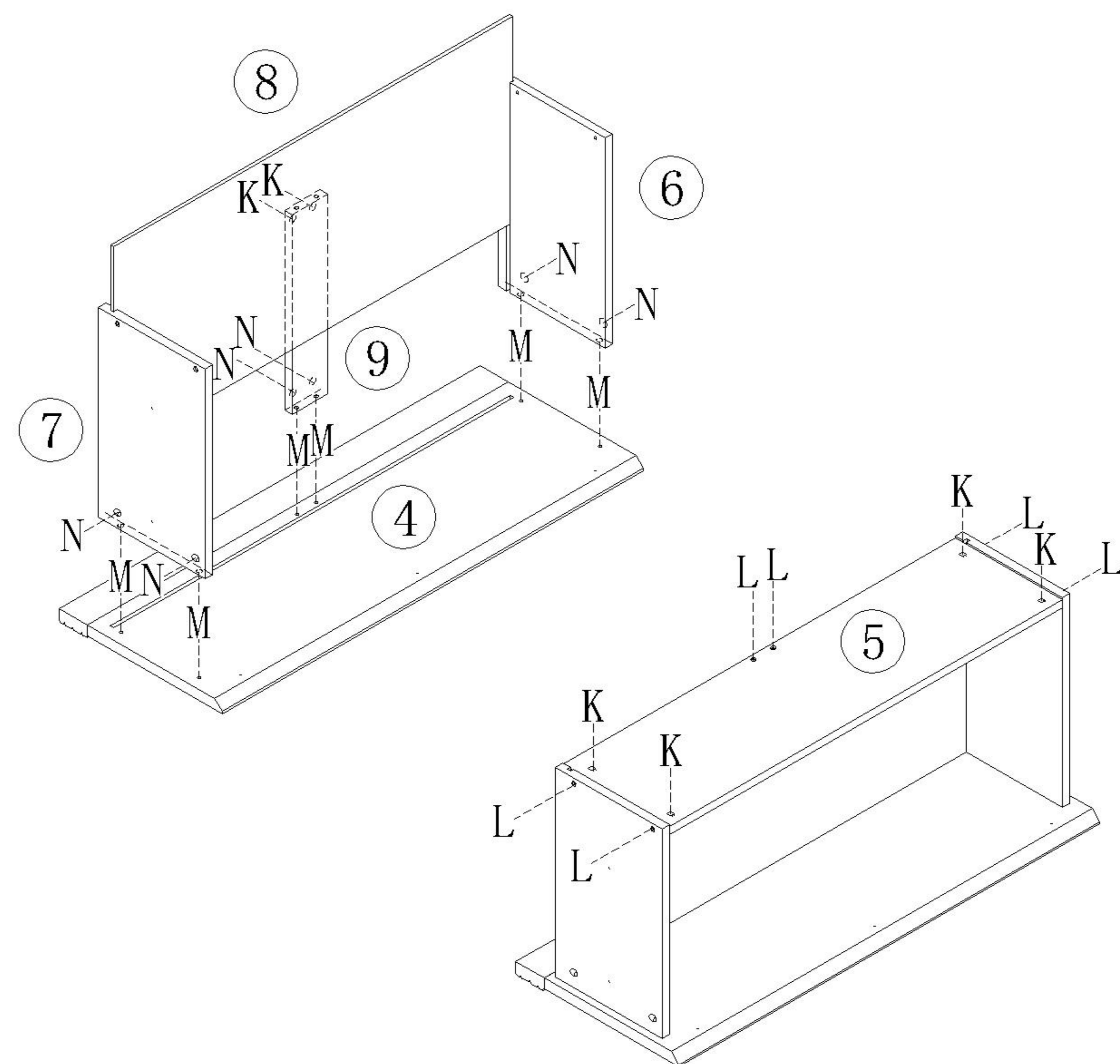


副轨 Sub track



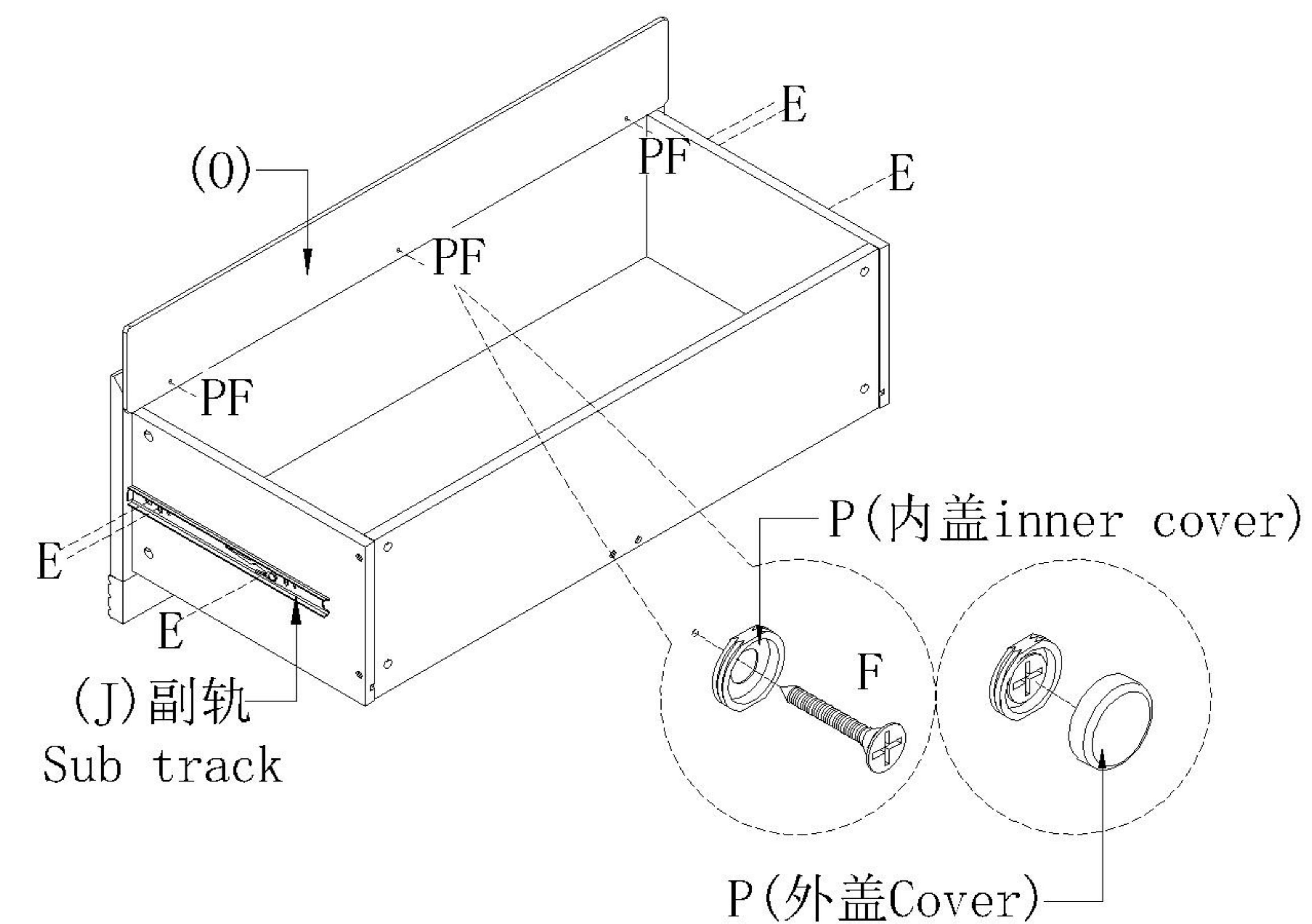
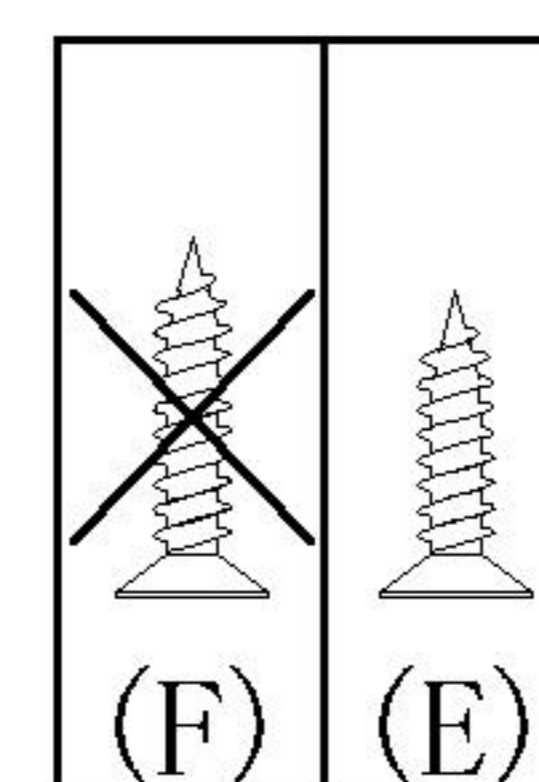
三节滚珠导轨-10"  
Three-section rail

- (M)\*6
- (N)\*6
- (L)\*6
- (K)\*6



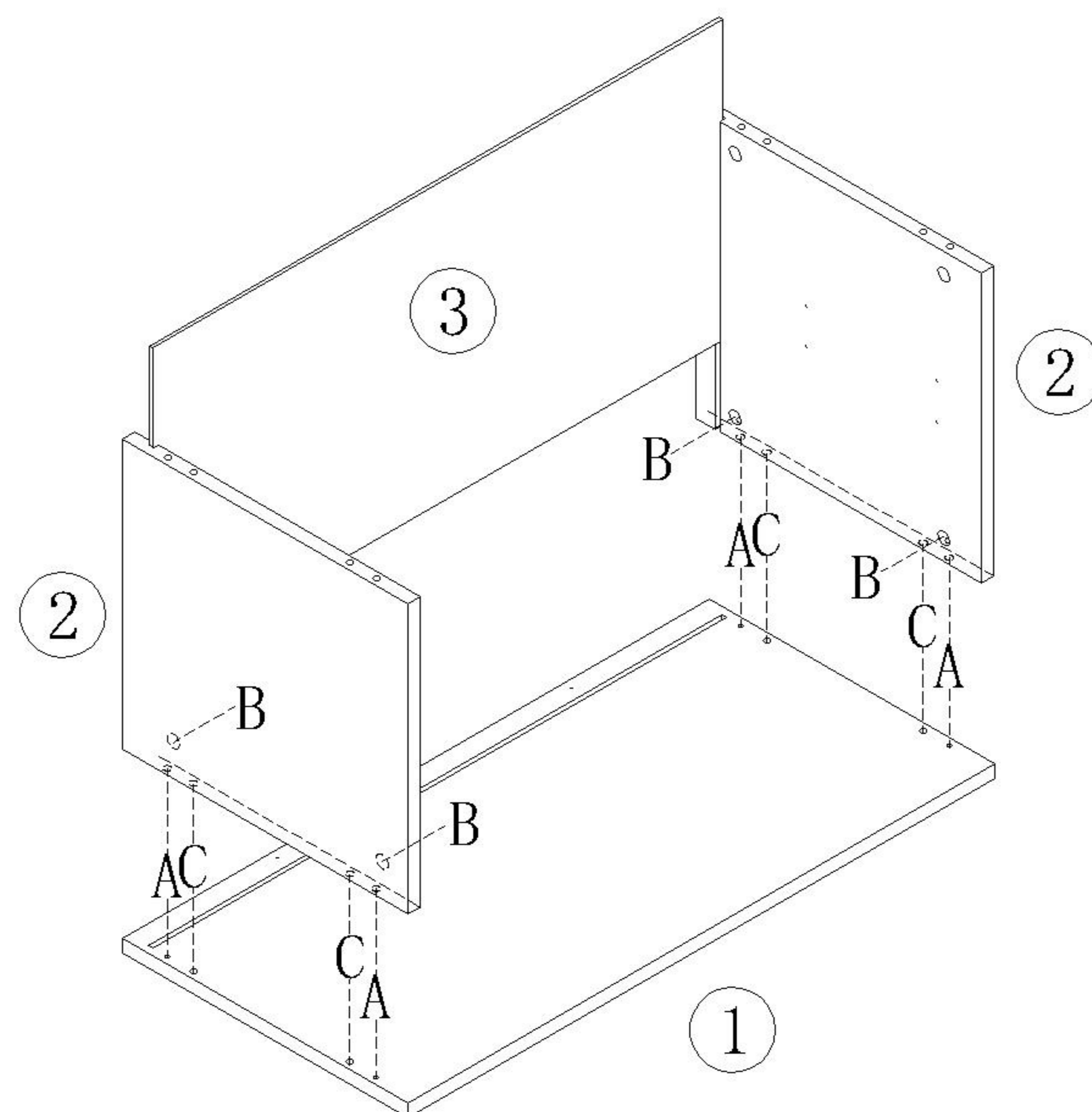
1

- (E)\*6
- (F)\*3
- (J)\*1
- (O)\*1
- (P)\*3



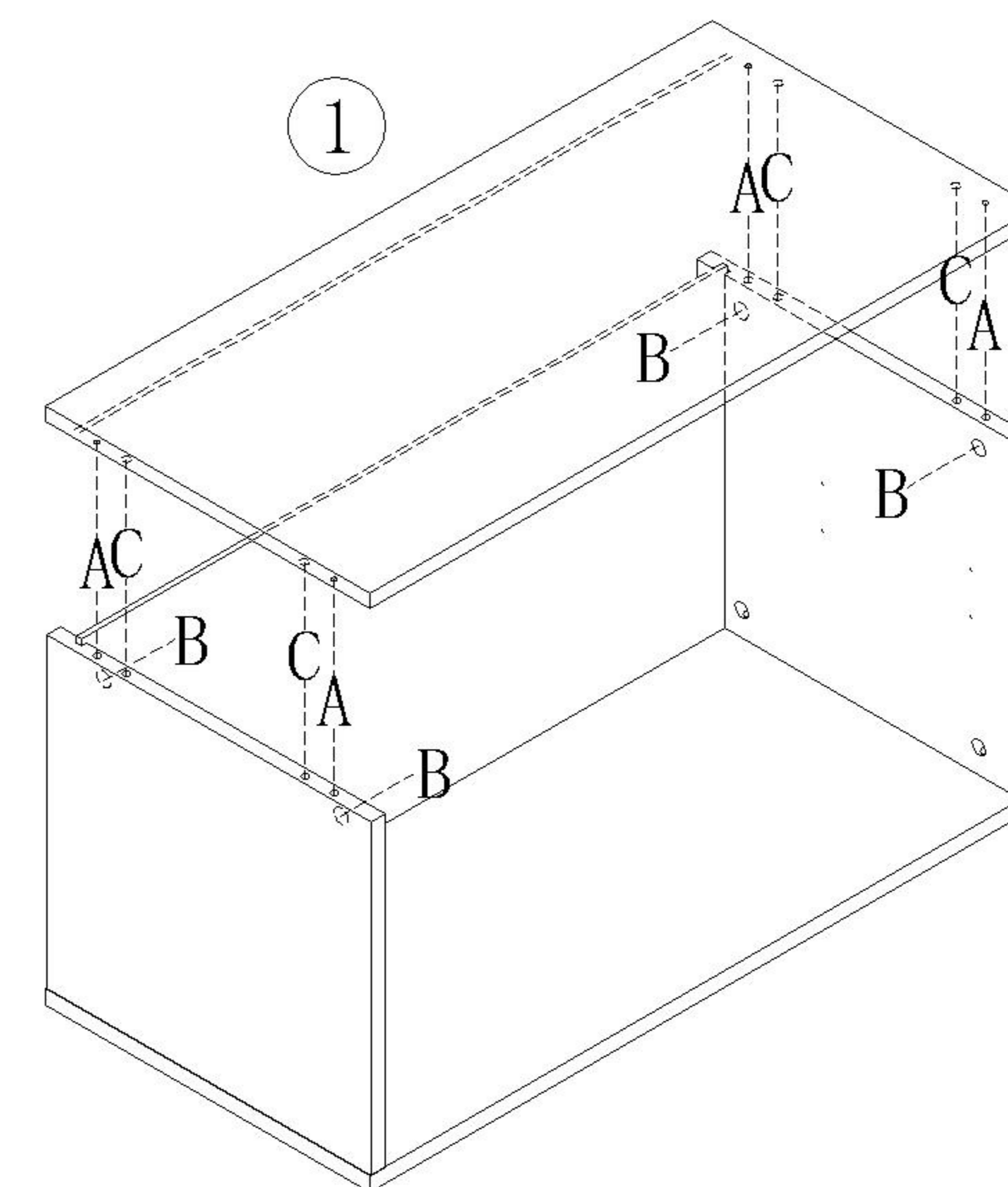
2

- (A)\*4
- (B)\*4
- (C)\*4



3

- (A)\*4
- (B)\*4
- (C)\*4

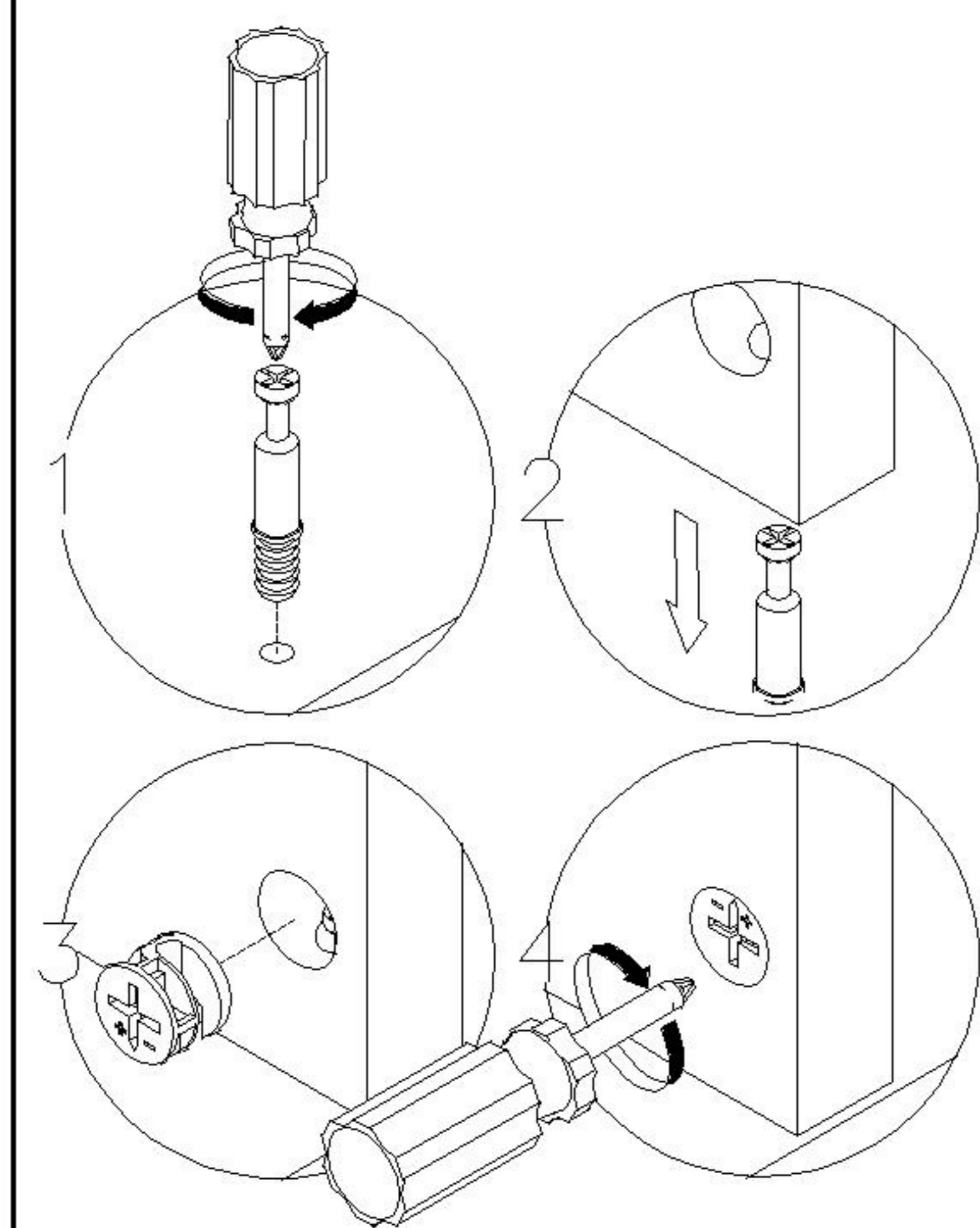


4

KQ7E-A

### 安装方法

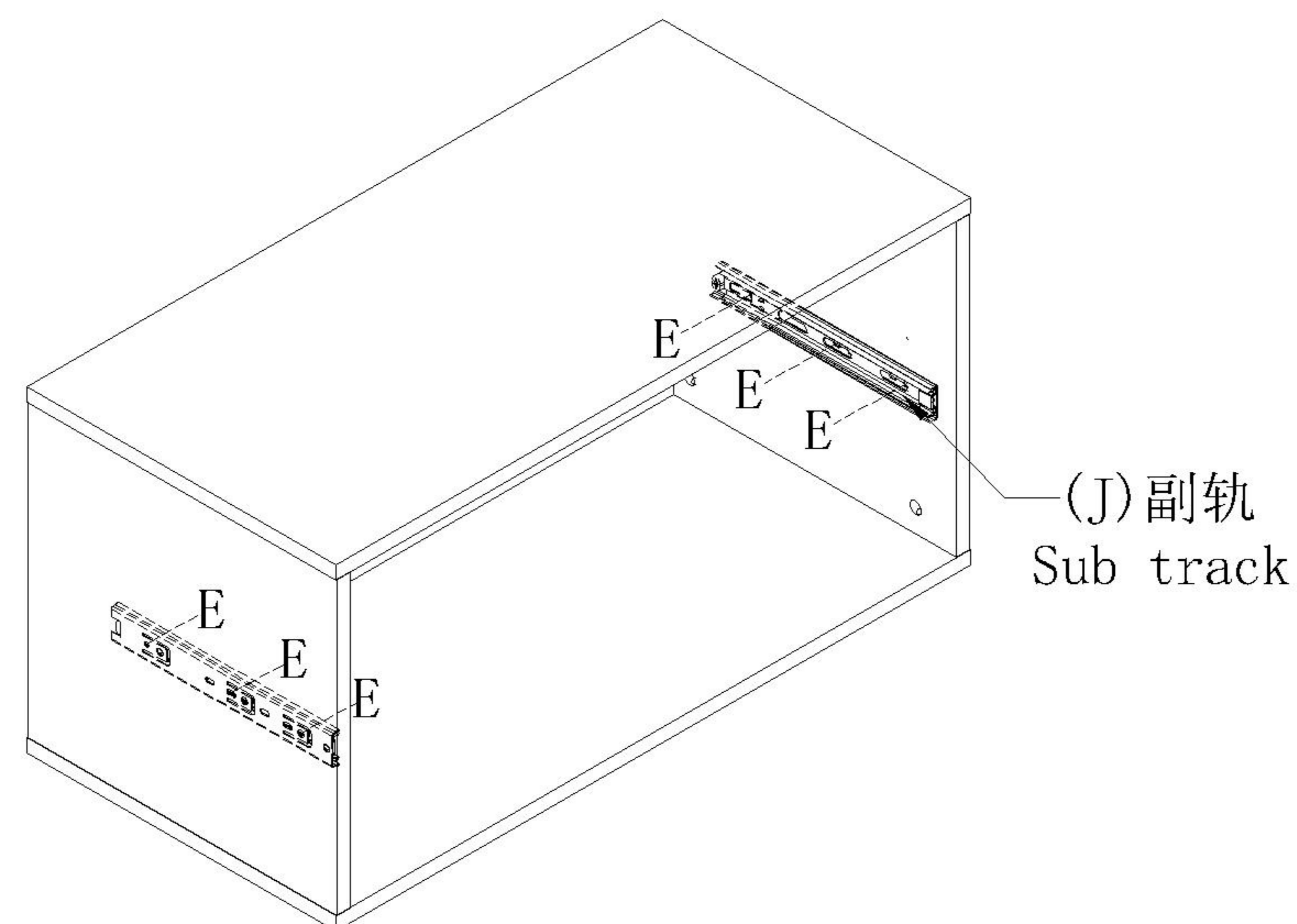
### Installation method



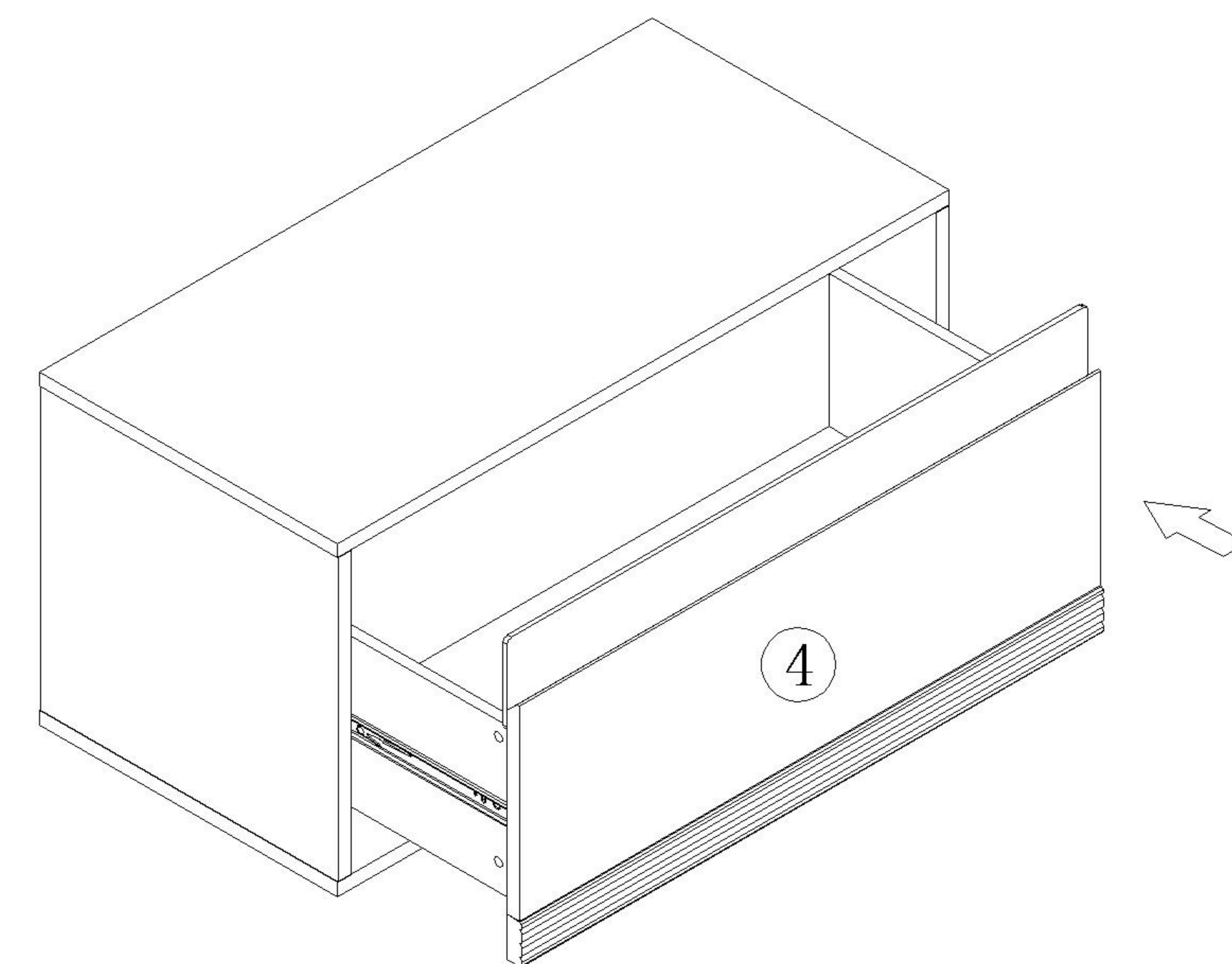
二合一 two-in-one

(E)\*6

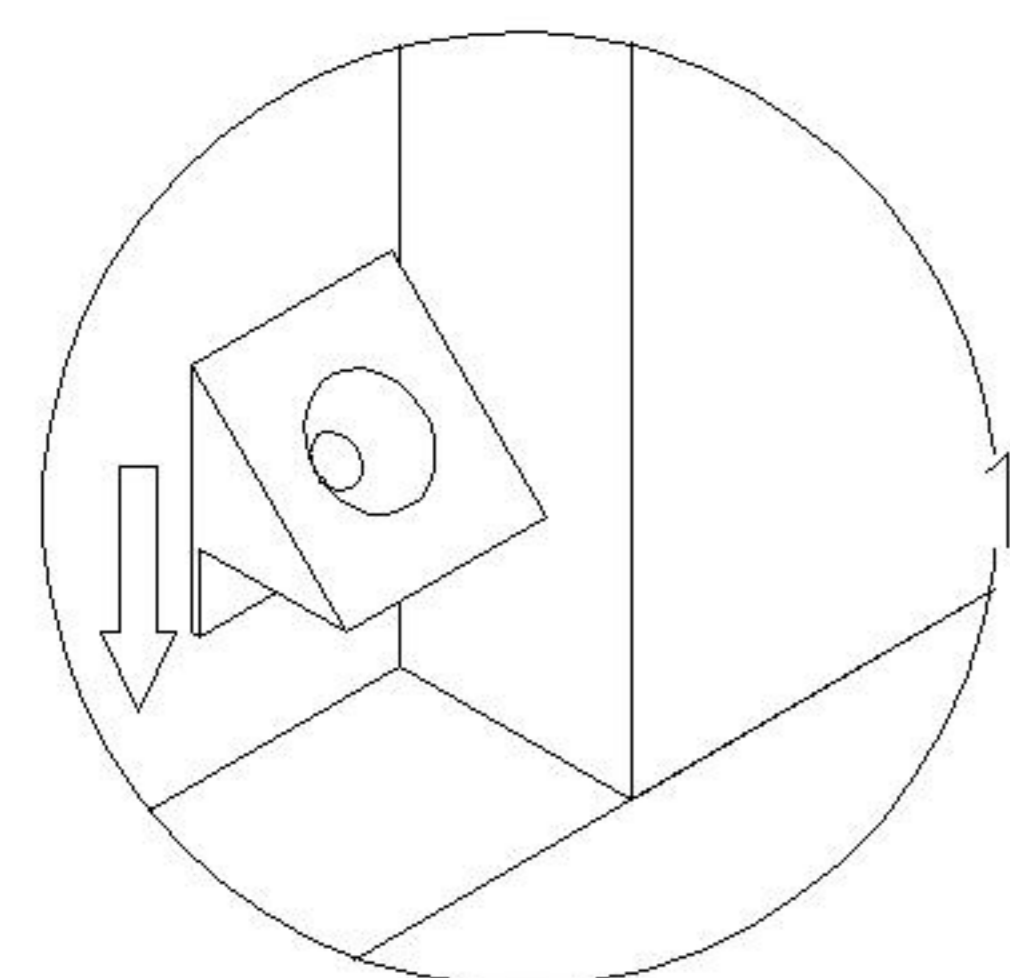
(J)\*1



5



6

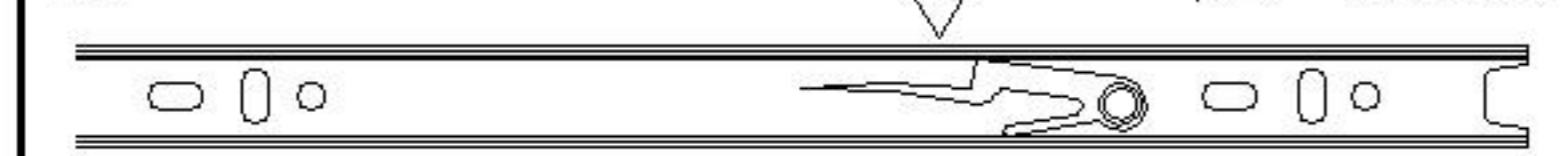


背板扣

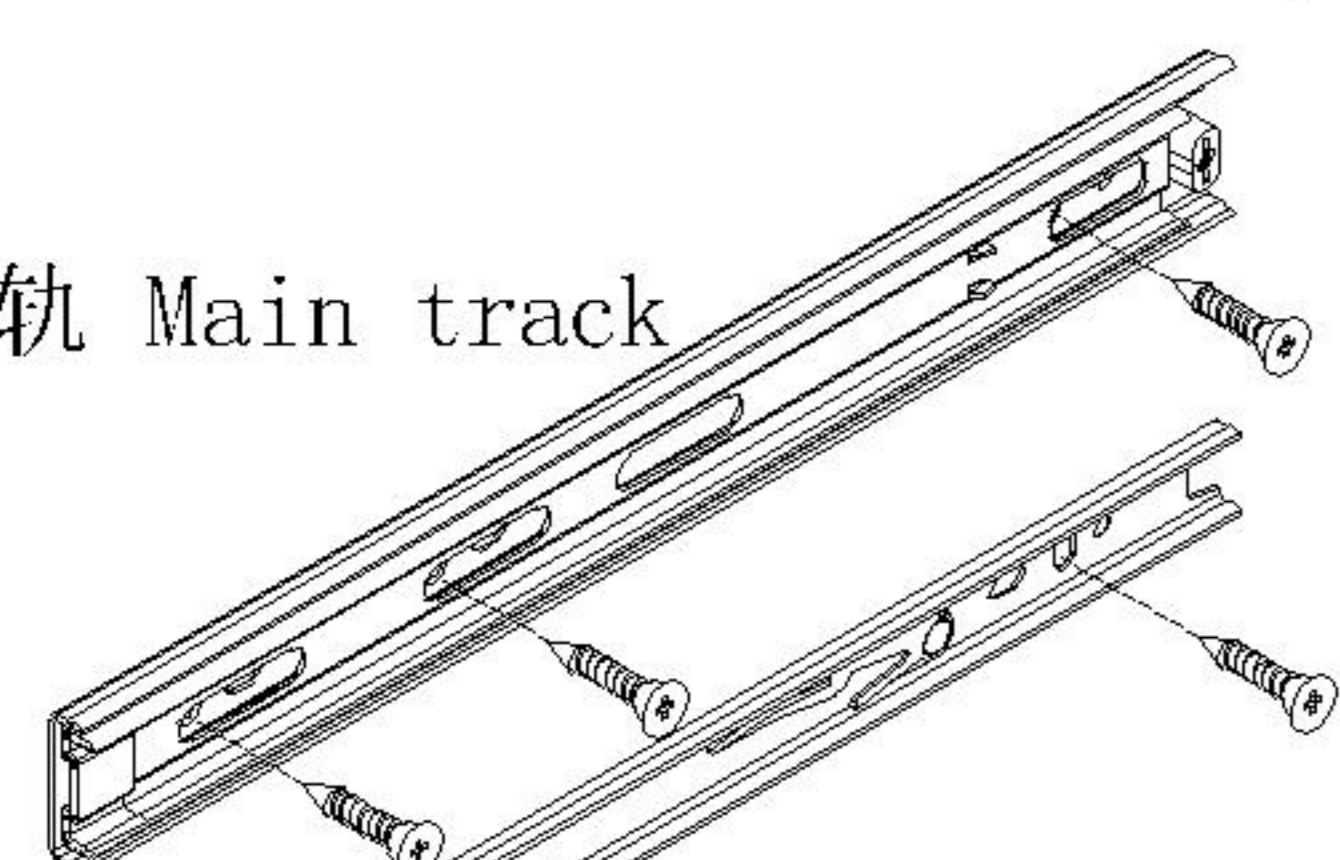
Back Plate Buckle

阀门开关(下压为开)  
Valve switch (press down to open)

前 Forward    后 Back



主轨 Main track

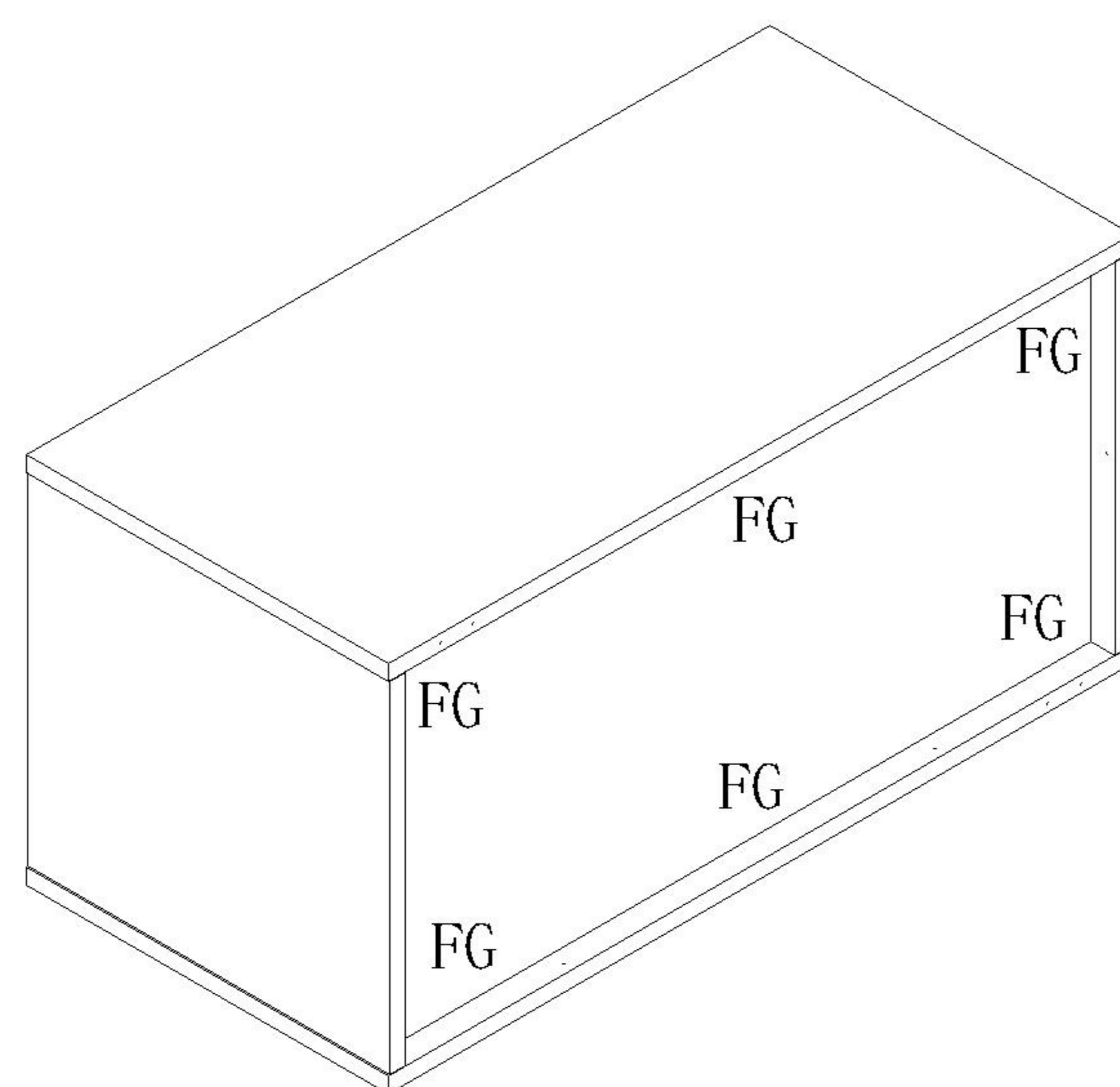
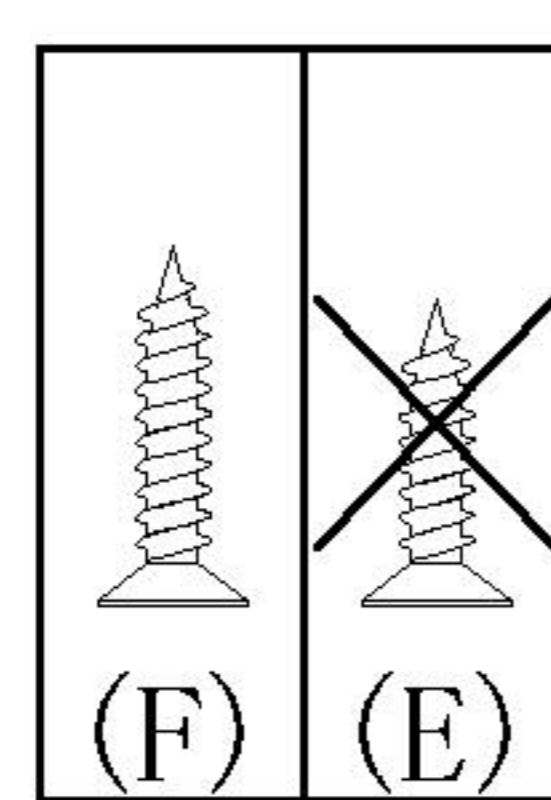


副轨 Sub track

三节滚珠导轨-10"  
Three-section rail

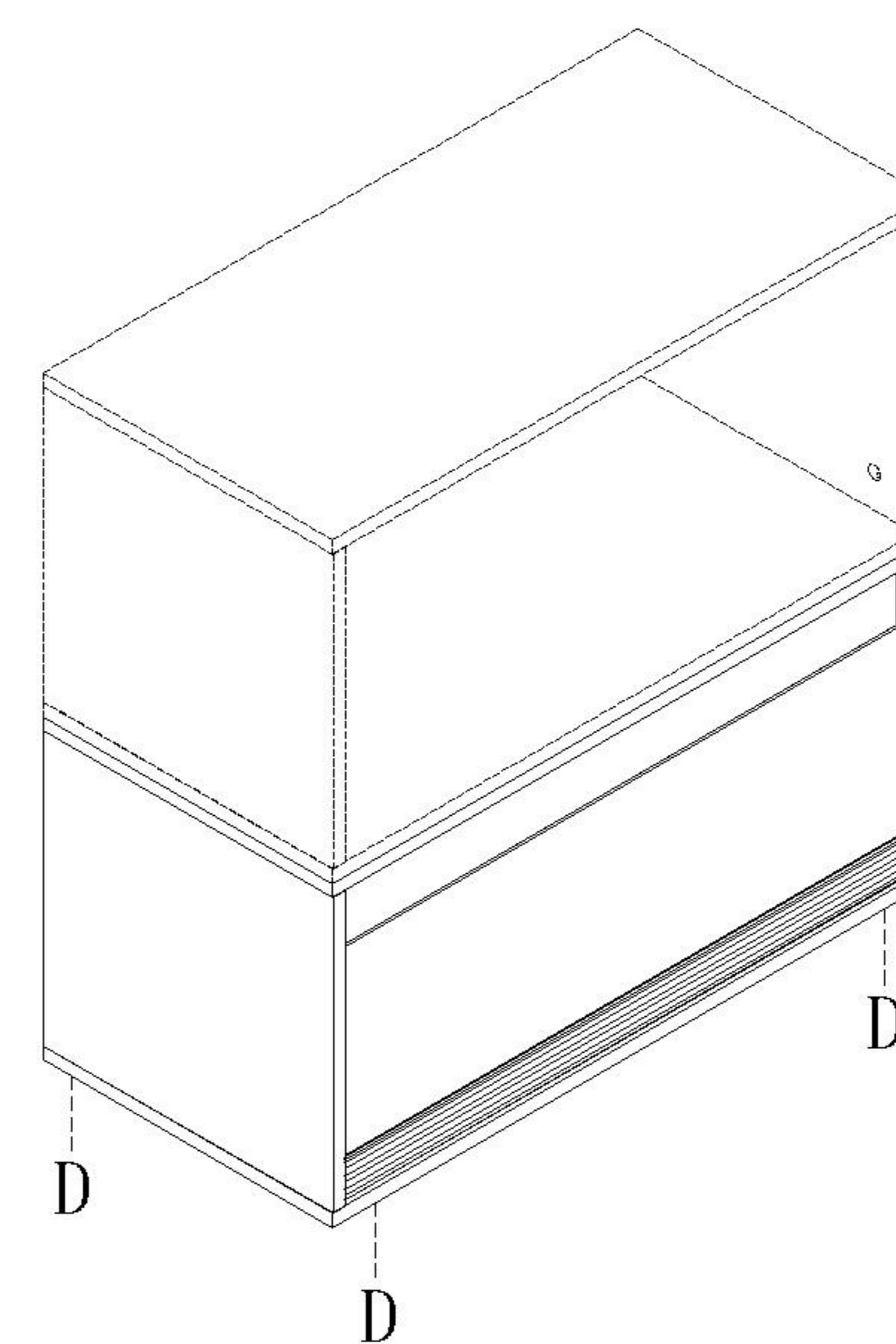
(F)\*6

(G)\*6



7

(D)\*4


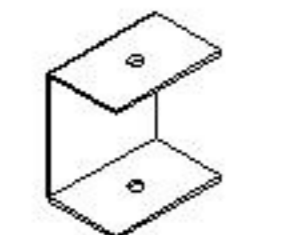


接触地面需安装五金(D)  
Hardware installation required  
for contact with the ground (D)

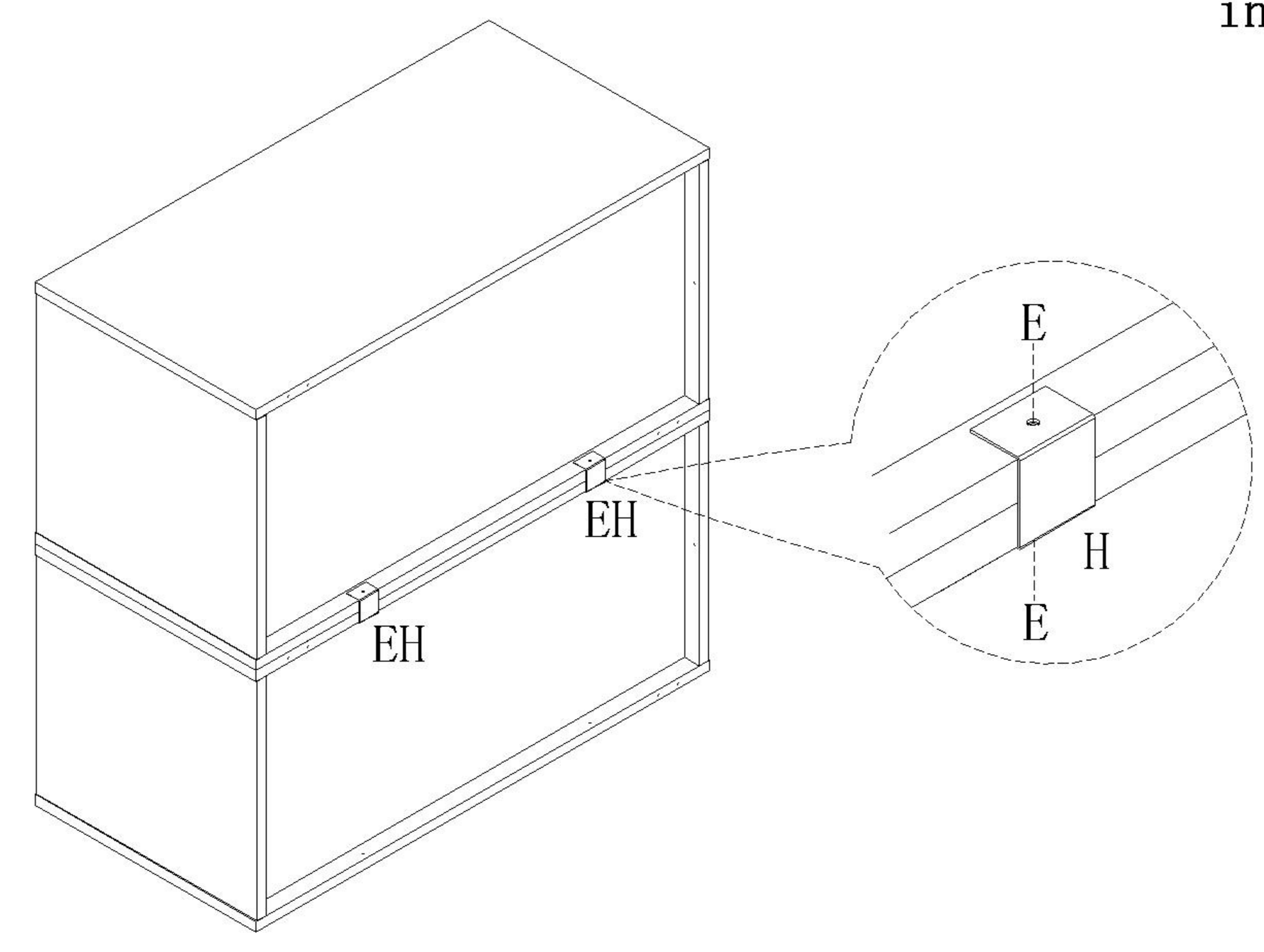
8

无接触地面不需安装五金(D)  
No need to install hardware  
without touching the ground (D)

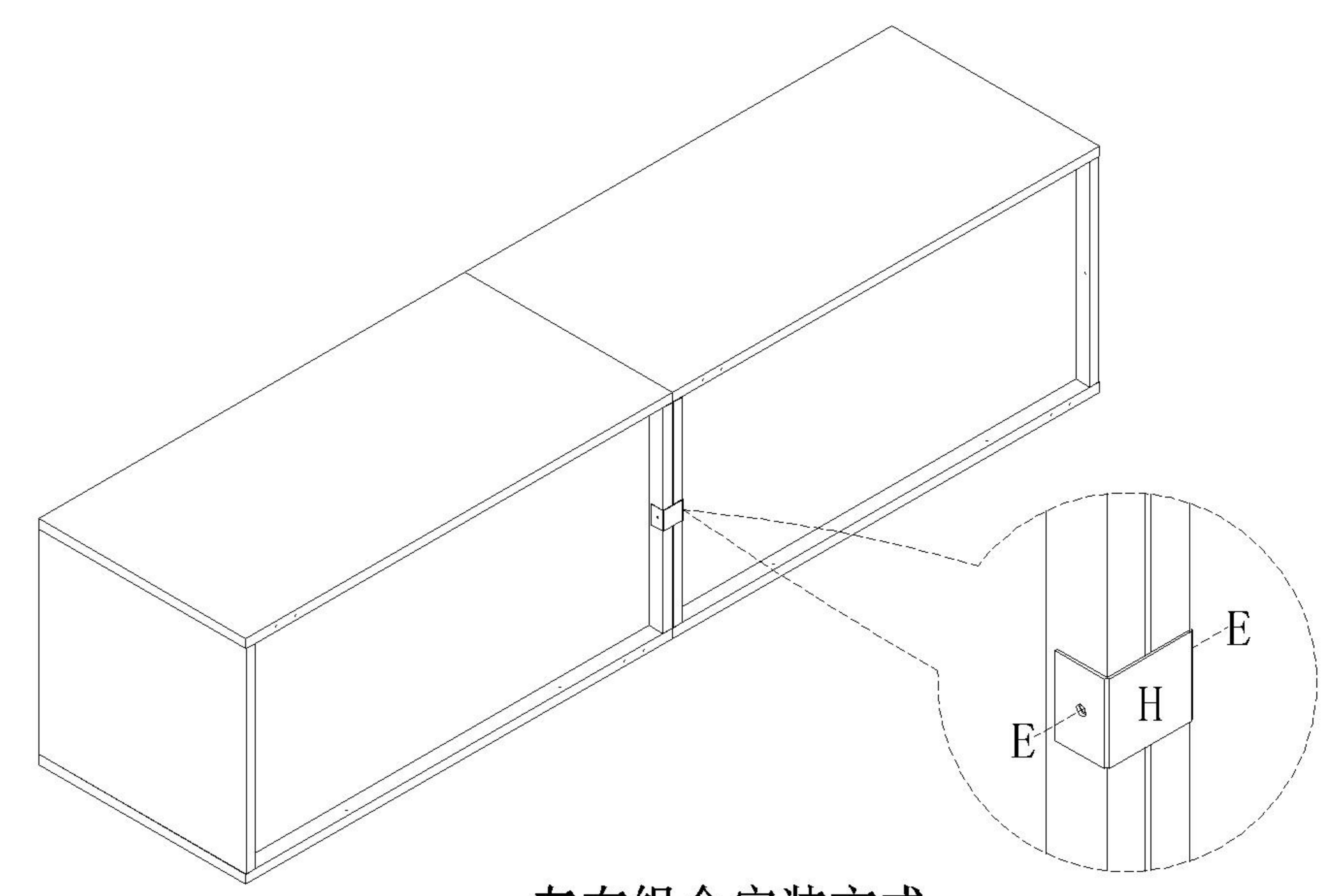
# 安装方法 Installation method

-  (E)\*4
-  (H)\*2

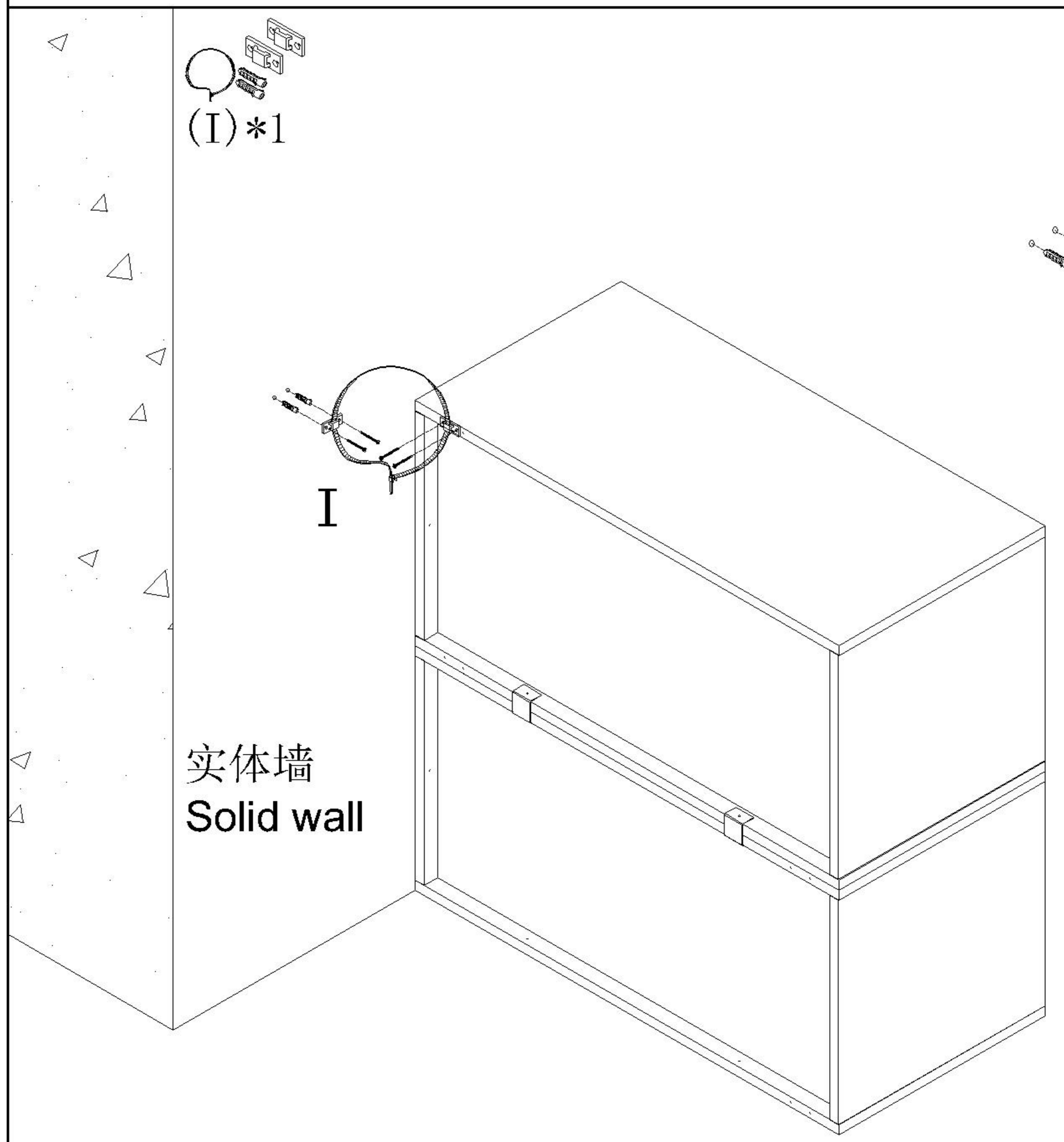
组合连接方式, 如只购买单个柜体无需安装  
Combination connection method, such as purchasing only a single cabinet without installation



上下组合安装方式  
Upper and lower combination installation method

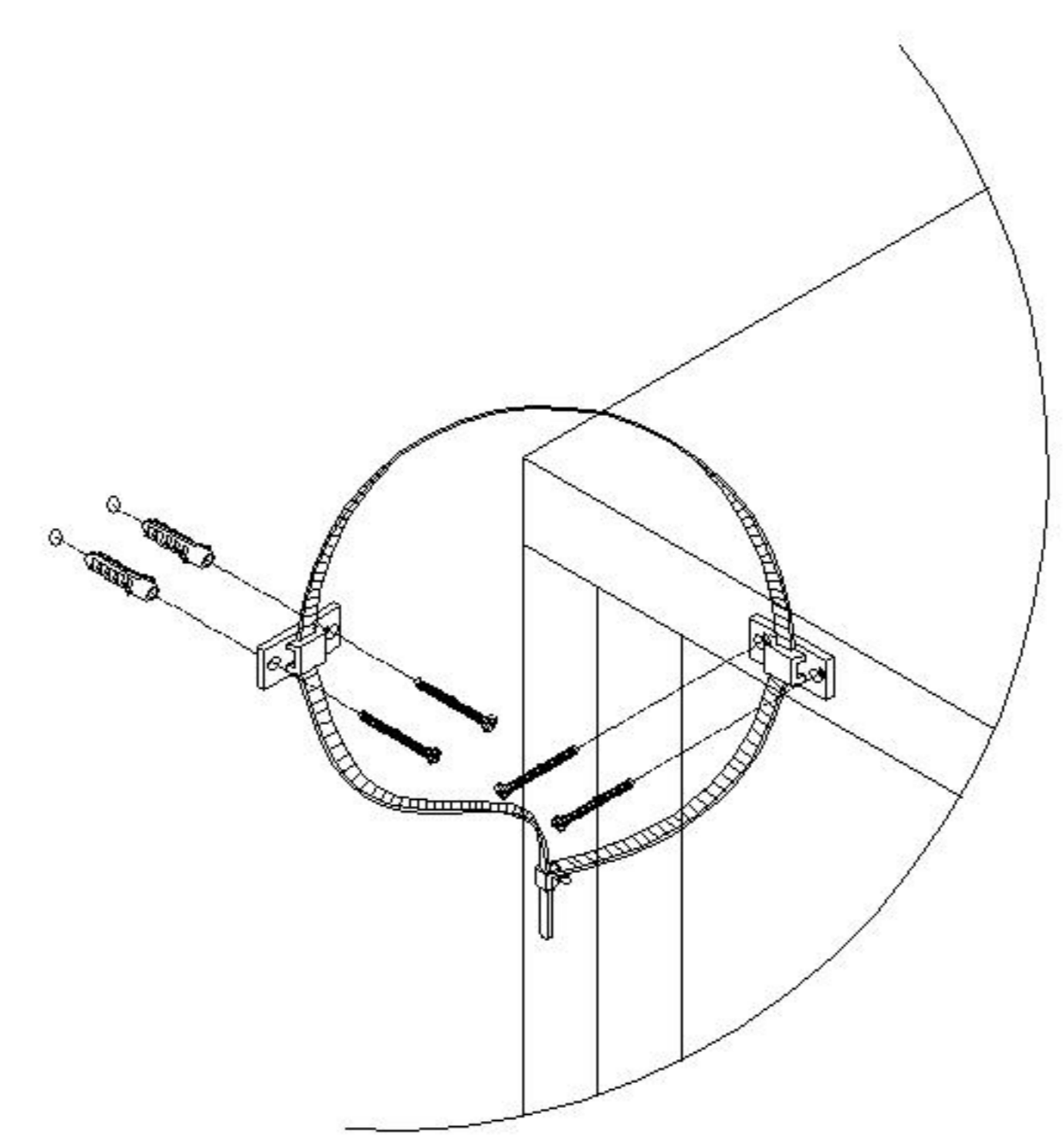


左右组合安装方式  
Left and right combination installation method



实体墙  
Solid wall

(I)\*1



柜子组合高度超600MM  
需安装上防倒器  
Cabinet combination height exceeding 600MM requires installation of an anti fall device

