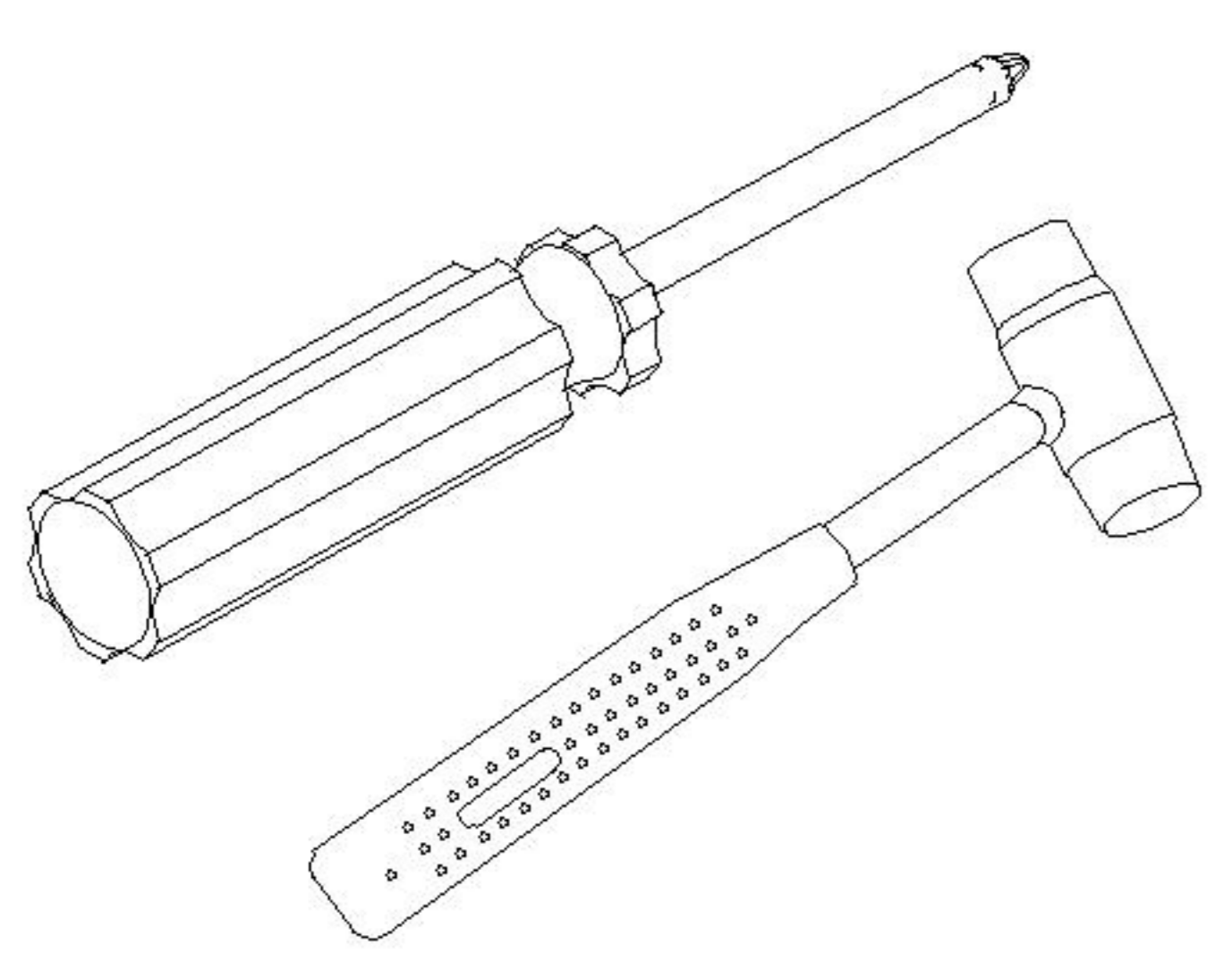
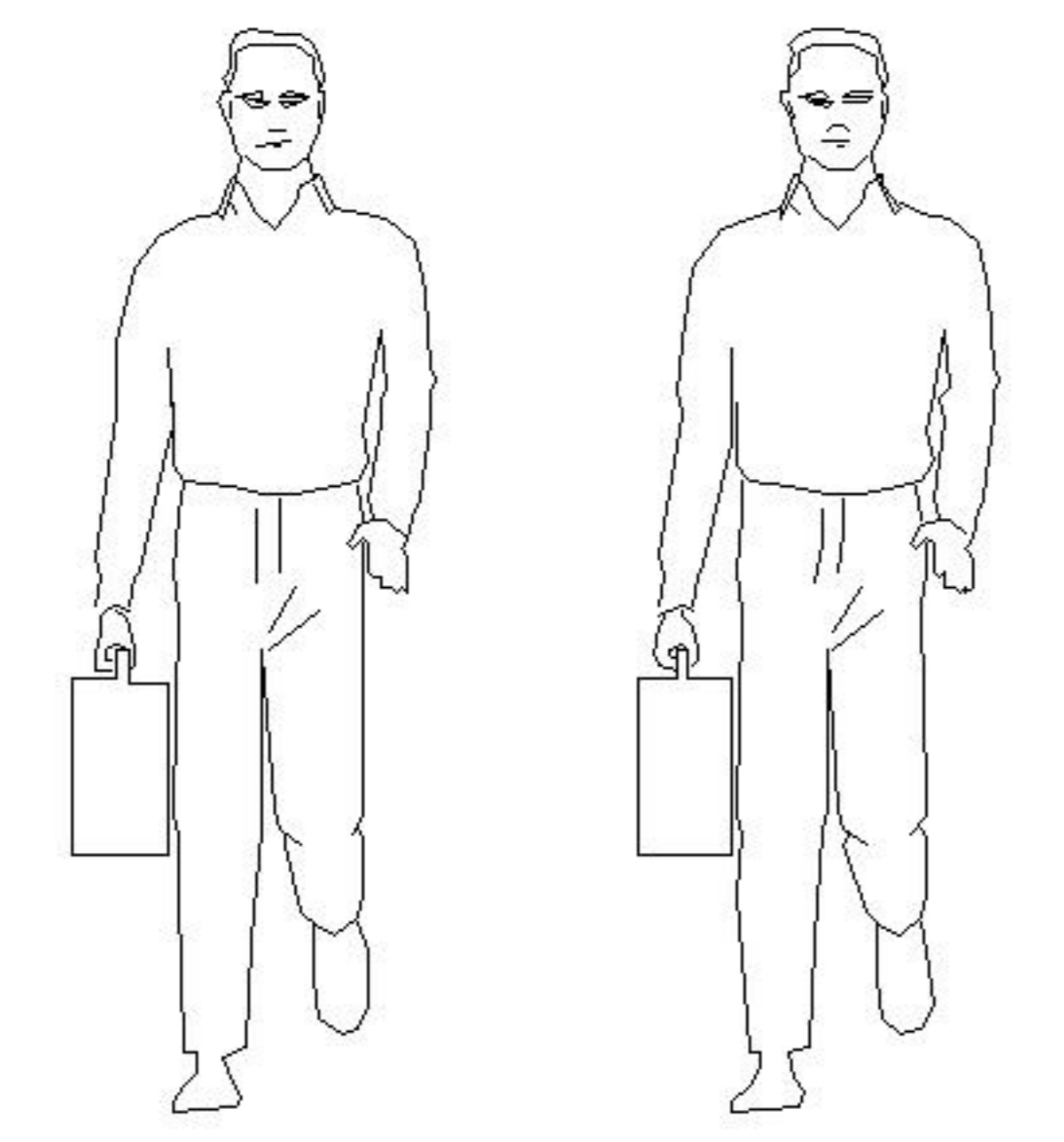


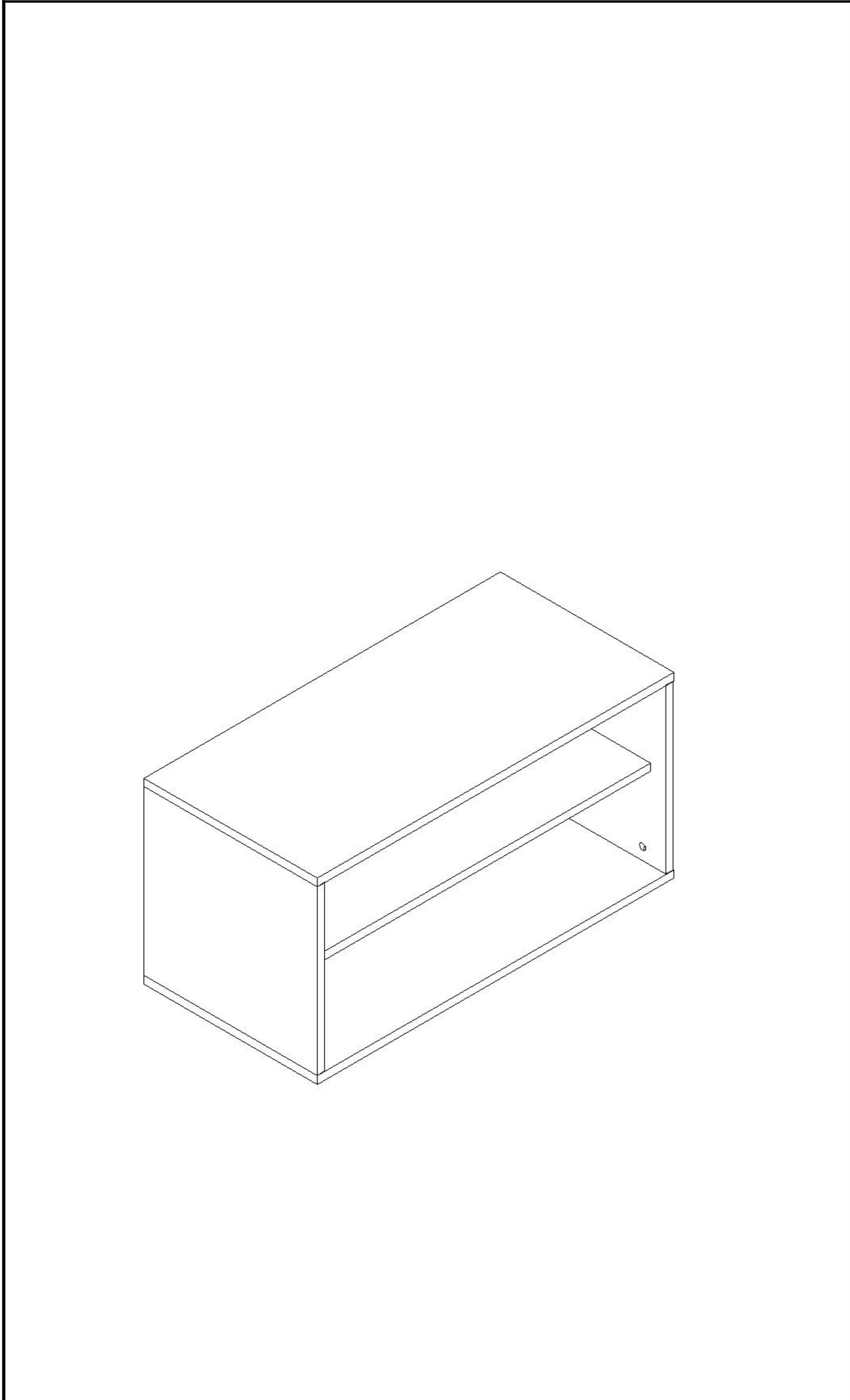
LINSY 林氏家居

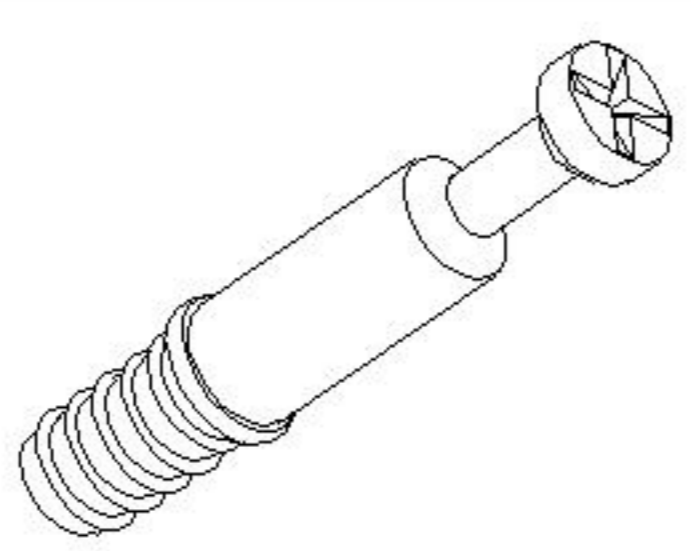
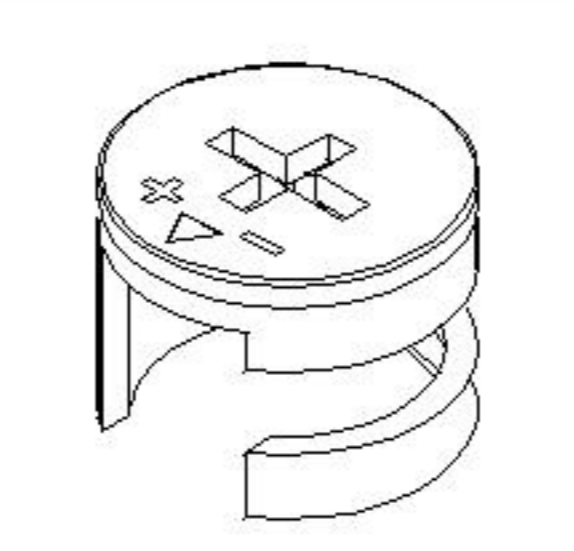
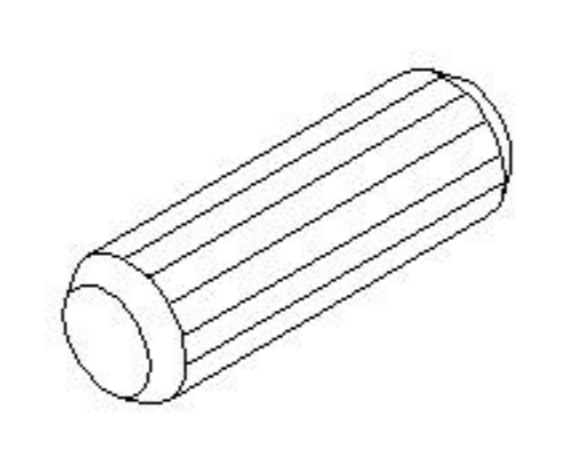
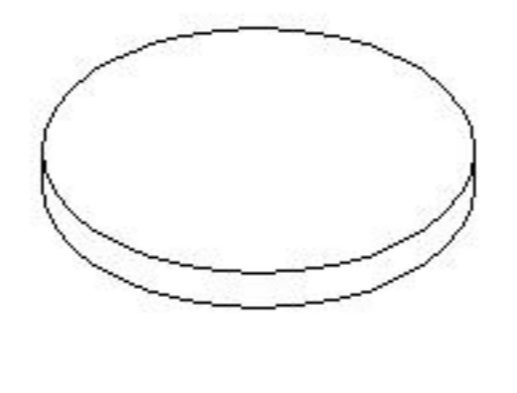
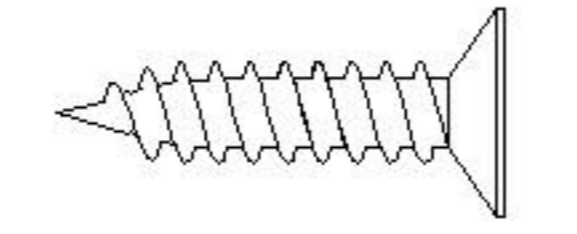
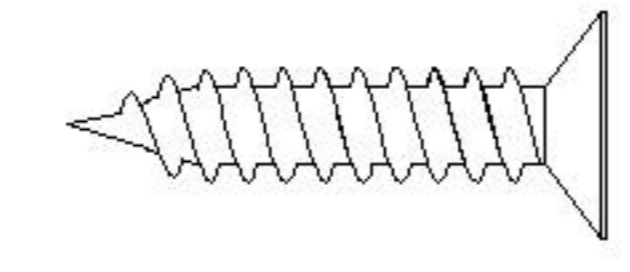
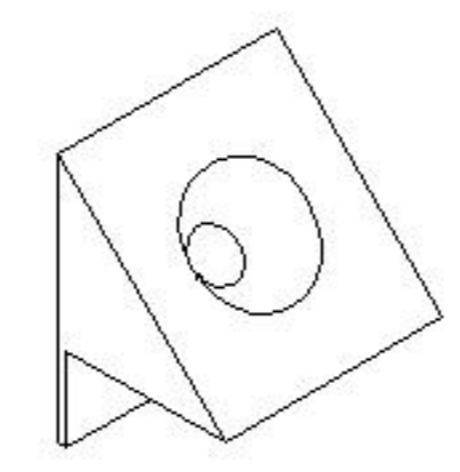
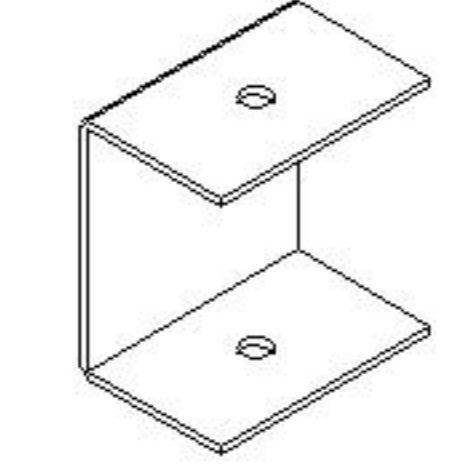
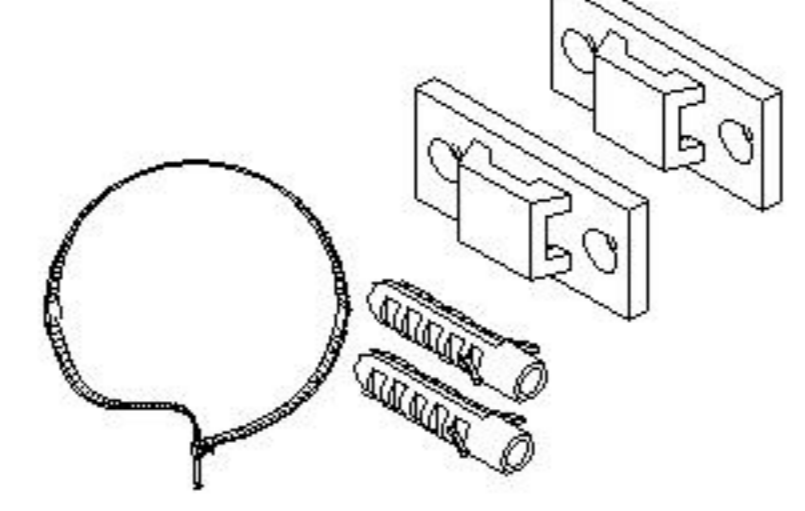
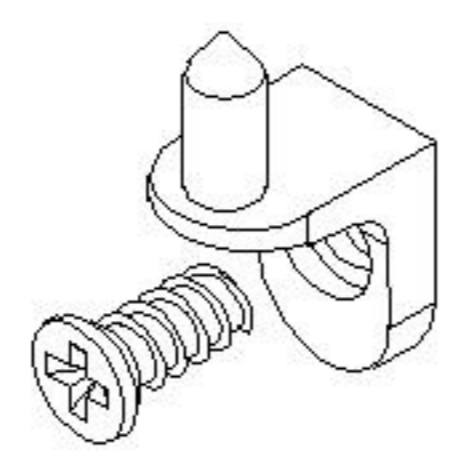
五金表/Hardware list

部件表/Parts List

安装示意图/Assembly Instruction

| | |
|---|---|
| 产品名称 Model NO. | KQ5E-A |
| 产品规格 Specification | 720*350*363mm |
| 安装工具 Tool | 安装人数 Installer |
|  |  |



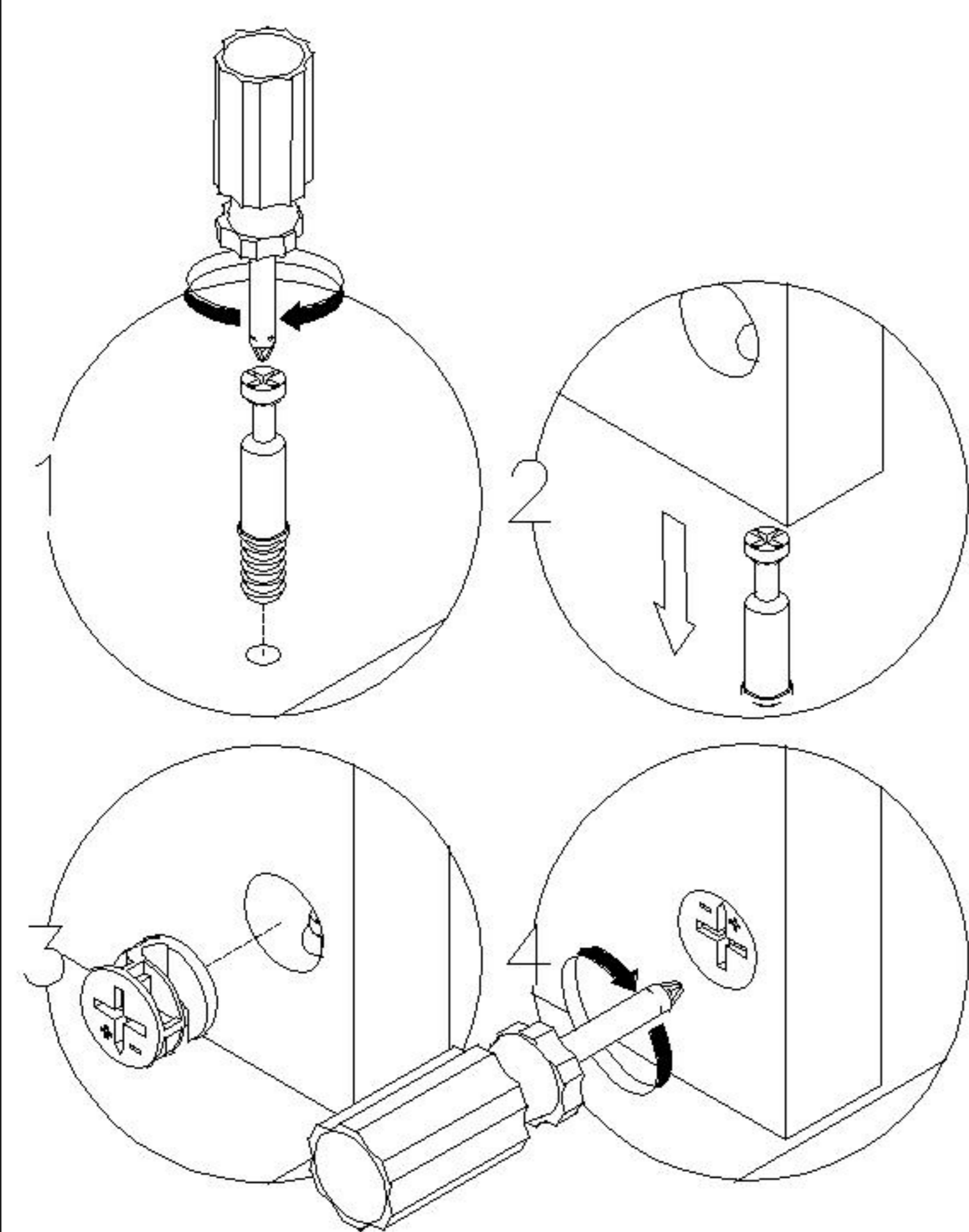
| | | | |
|--|---|--|--|
|  (A) *8 二合一螺杆 2-in-1-screw |  (B) *8 大三合一锁饼 3-in-1 large lock |  (C) *8 木榫Ø8x30mm Wood tenon |  (D) *4 灰色毛毡垫 Foot pad |
|  (E) *4 白攻螺丝M3.5*12mm Tapping screw |  (F) *6 白攻螺丝M3.5*16mm Tapping screw |  (G) *6 背板扣 White buckle |  (H) *2 U型卡扣 U-shaped buckle |
|  (I) *1 家具防倒器-白色 Anti-fall device |  (J) *4 层板托5mm shelf support | | |

| 编号NO. | 名称Name | 规格(mm) Specification | 数量QTY | 材质Material |
|-------|-------------------|-------------------------|-------|--------------|
| ① | 顶底板Top base board | 720*350*15 | 2 | 三胺板 Melamine |
| ② | 侧板Side board | 330*350*15 | 2 | 三胺板 Melamine |
| ③ | 层板Shelf | 687*290*15 | 1 | 三胺板 Melamine |
| ④ | 背板Back board | 698*340*5 | 1 | 三胺板 Melamine |
| ⑤ | | | | |
| ⑥ | | | | |
| ⑦ | | | | |
| ⑧ | | | | |
| ⑨ | | | | |
| ⑩ | | | | |
| ⑪ | | | | |
| ⑫ | | | | |
| ⑬ | | | | |
| ⑭ | | | | |
| ⑮ | | | | |
| ⑯ | | | | |
| ⑰ | | | | |
| ⑱ | | | | |
| ⑲ | | | | |
| ⑳ | | | | |
| ㉑ | | | | |
| ㉒ | | | | |
| ㉓ | | | | |
| ㉔ | | | | |
| ㉕ | | | | |

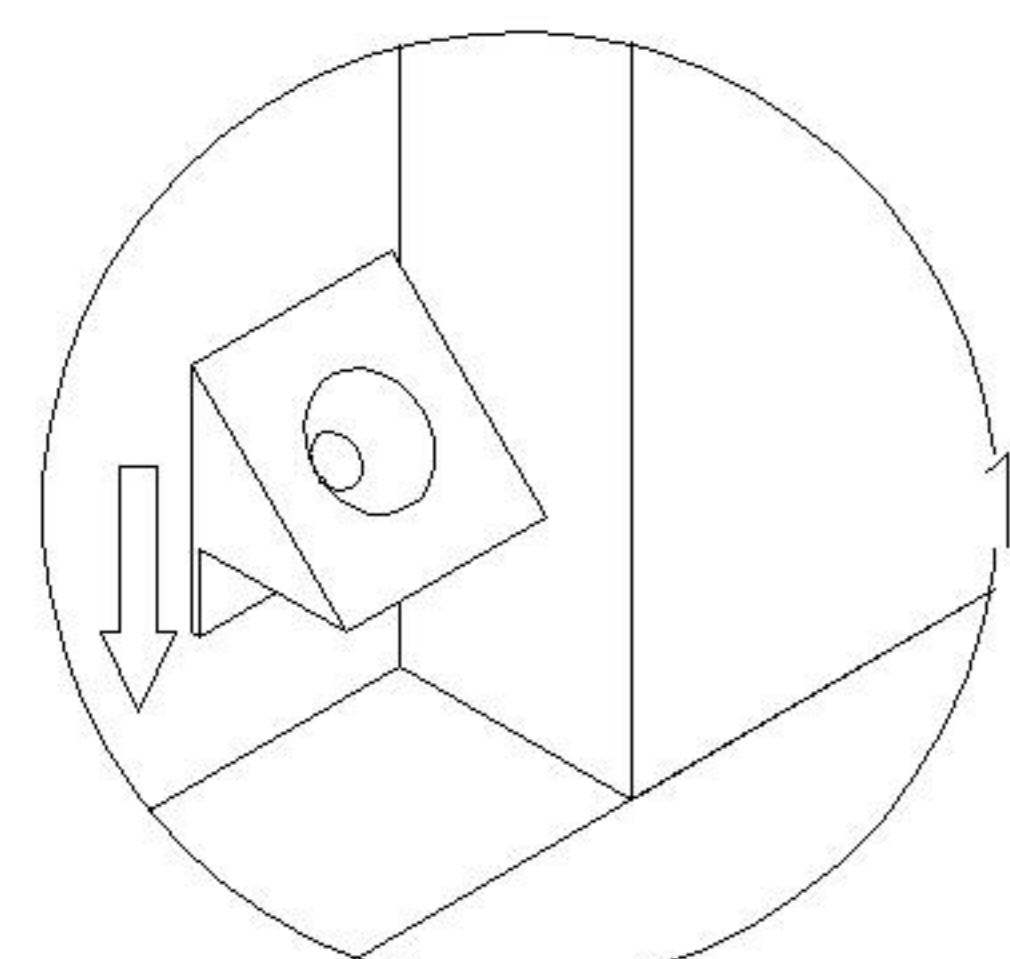
KQ5E-A

安装方法

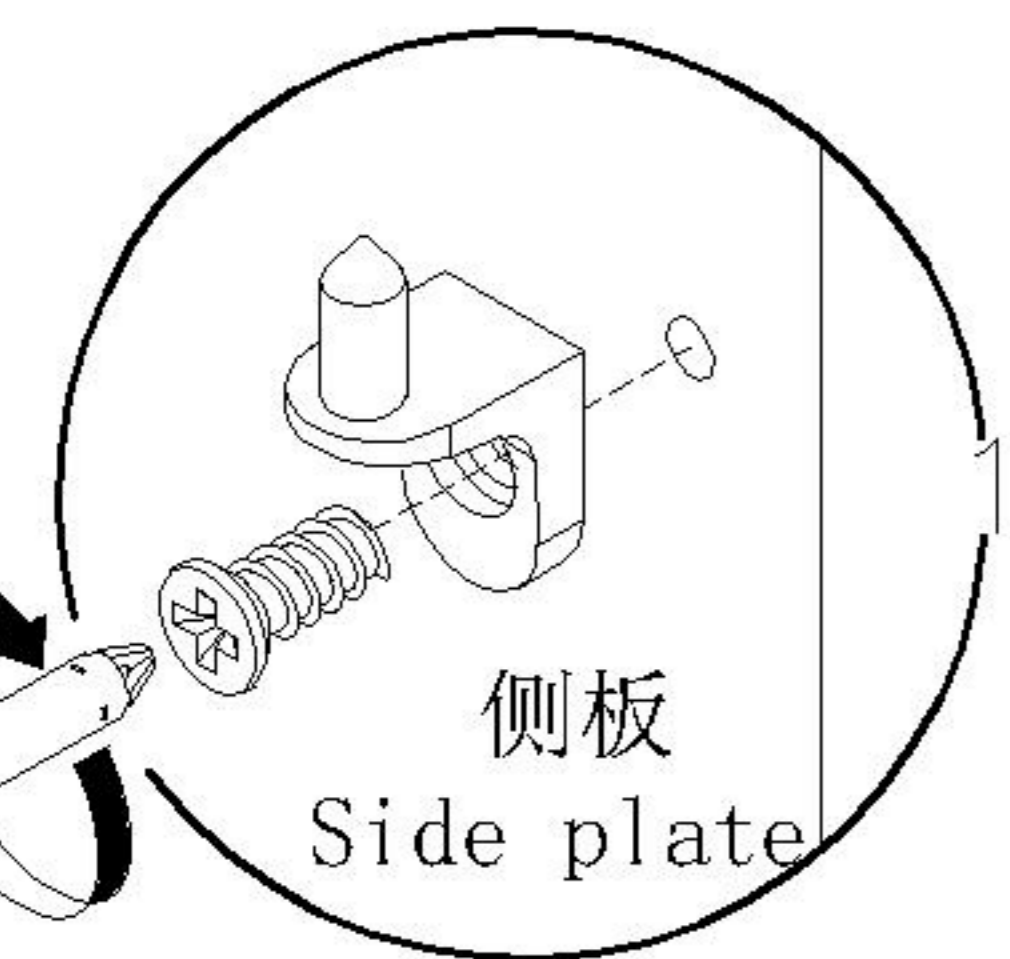
Installation method



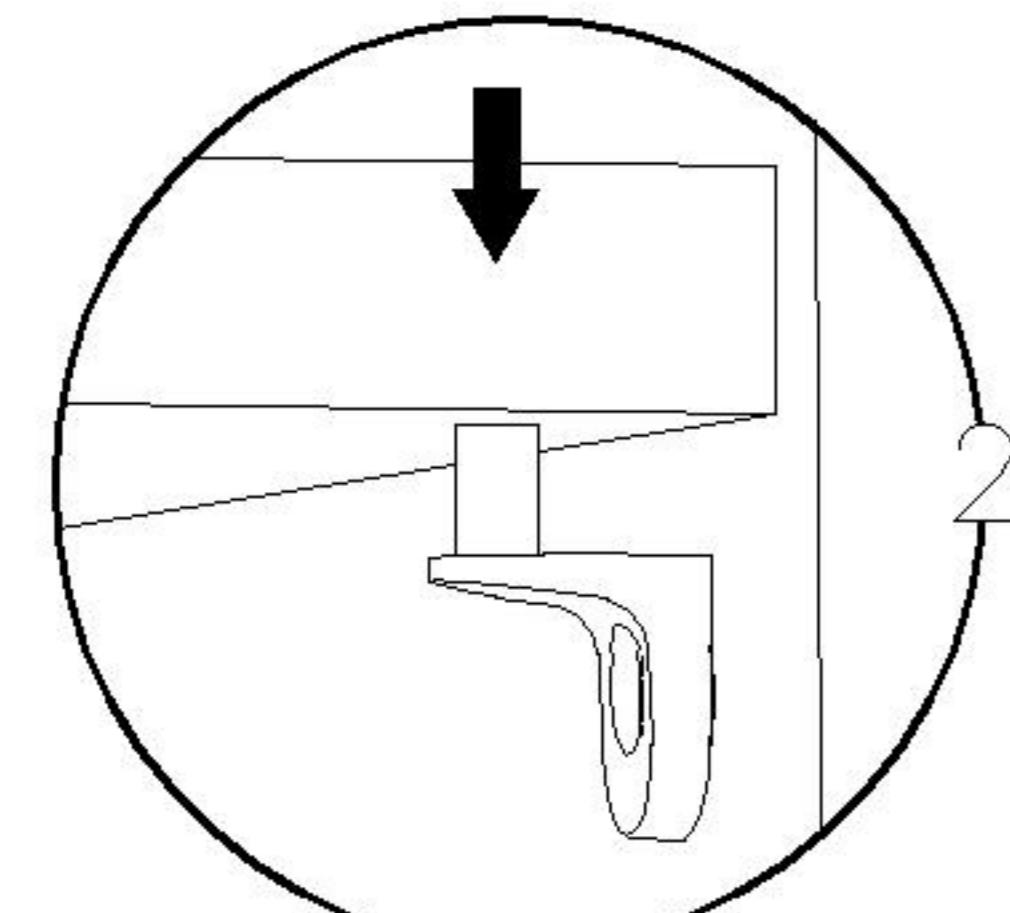
二合一 two-in-one



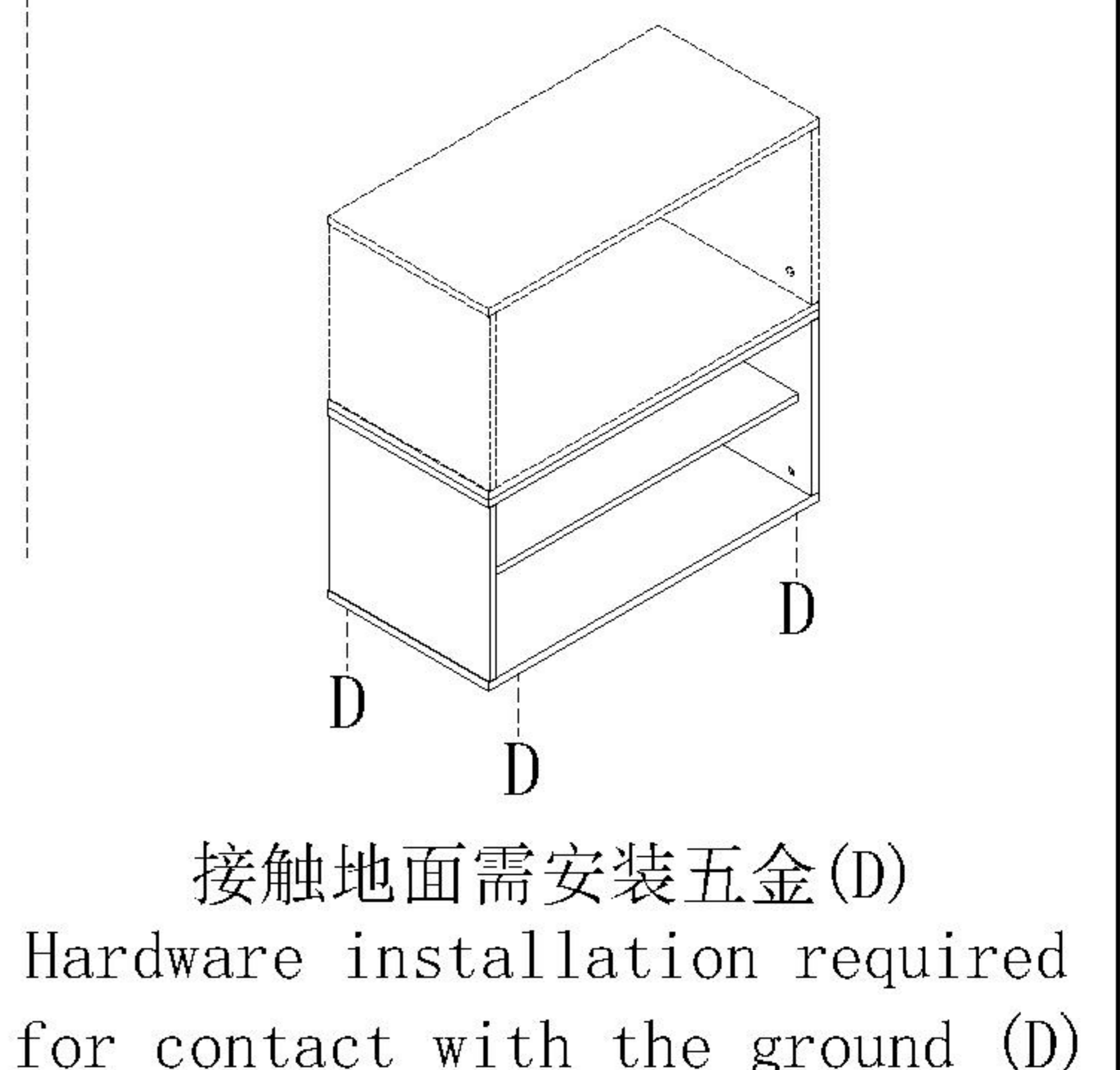
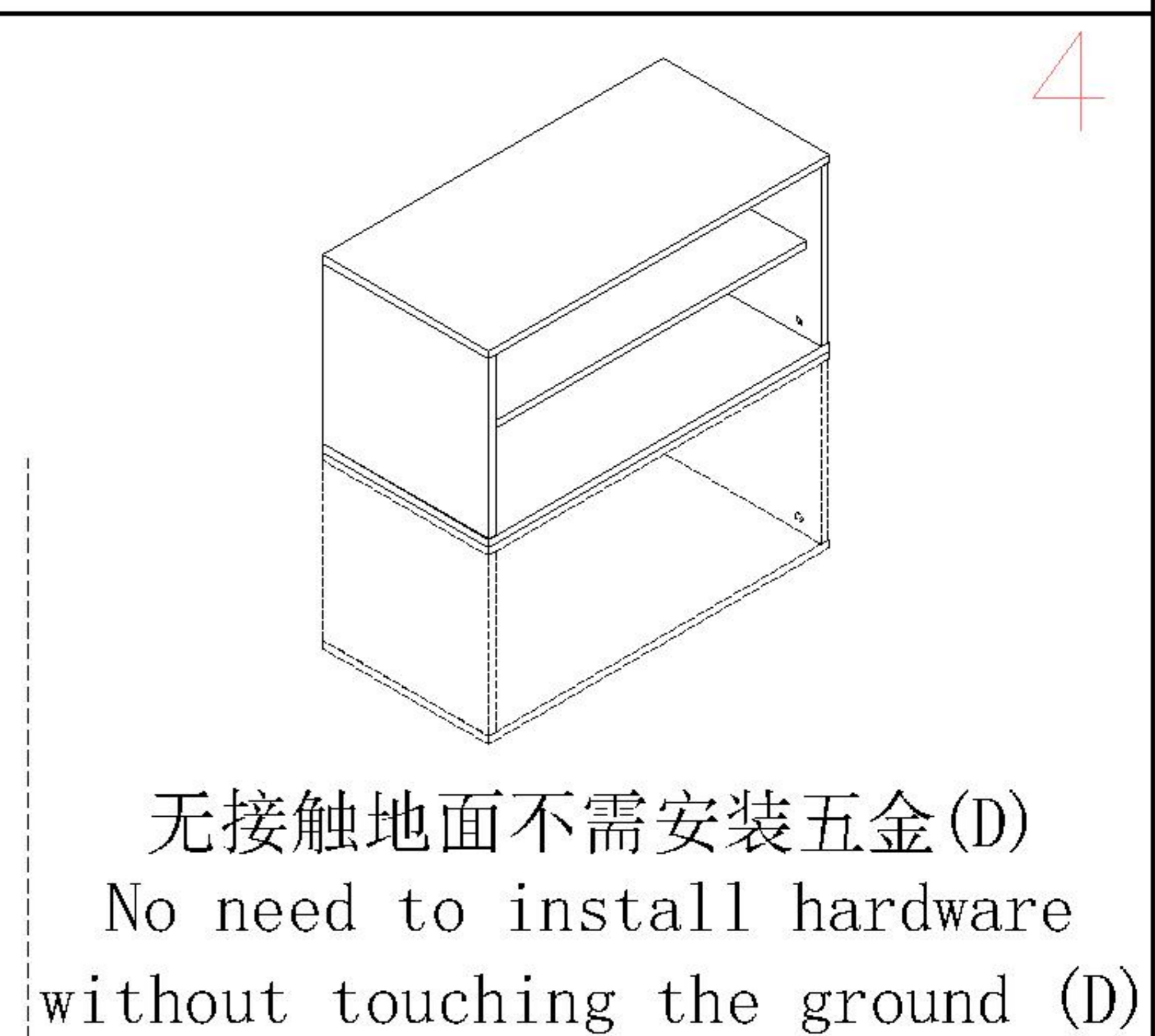
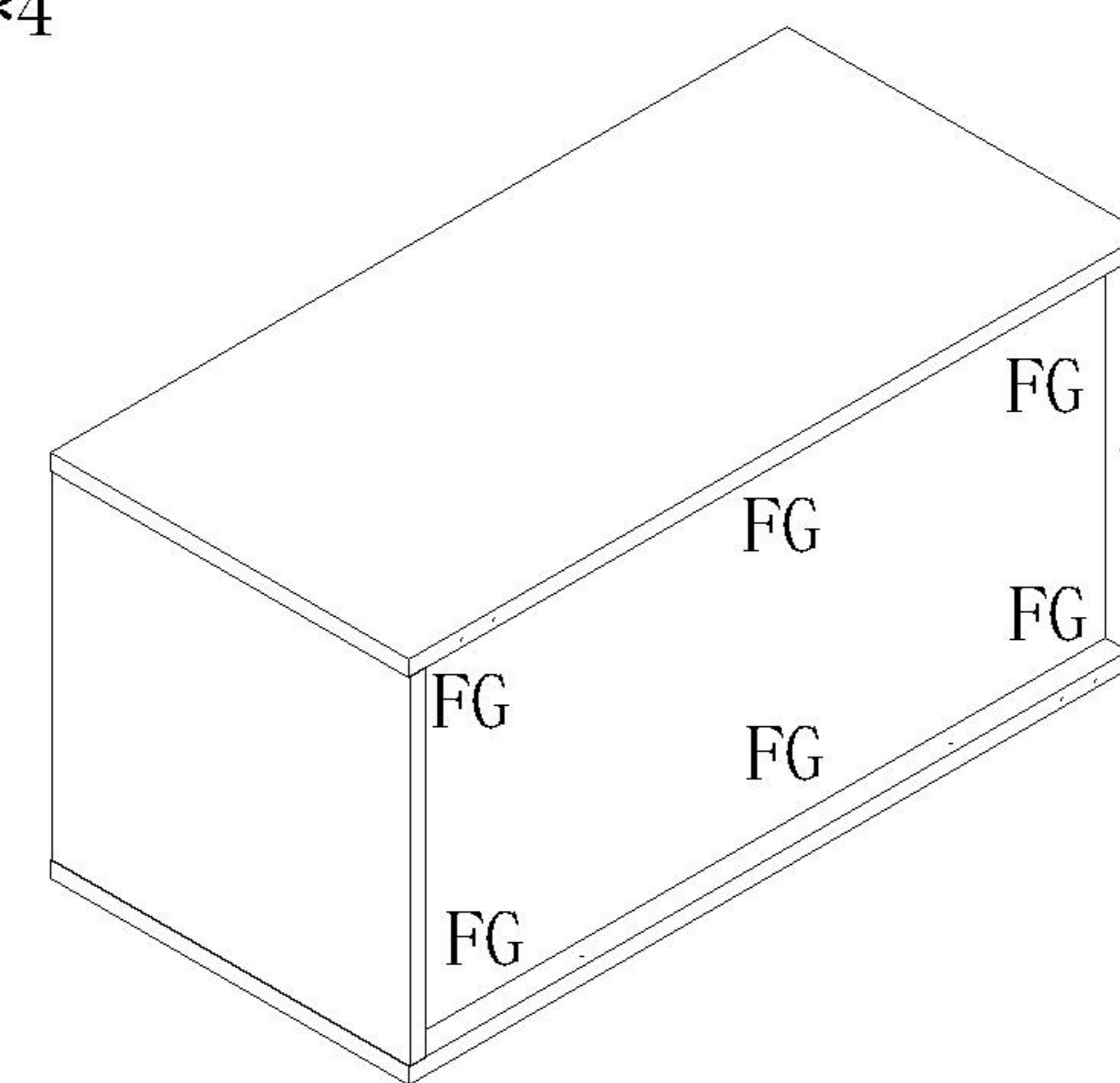
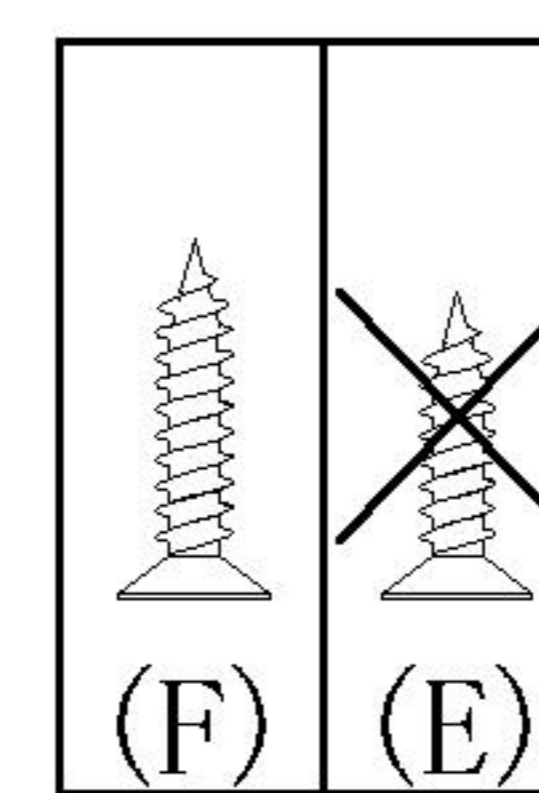
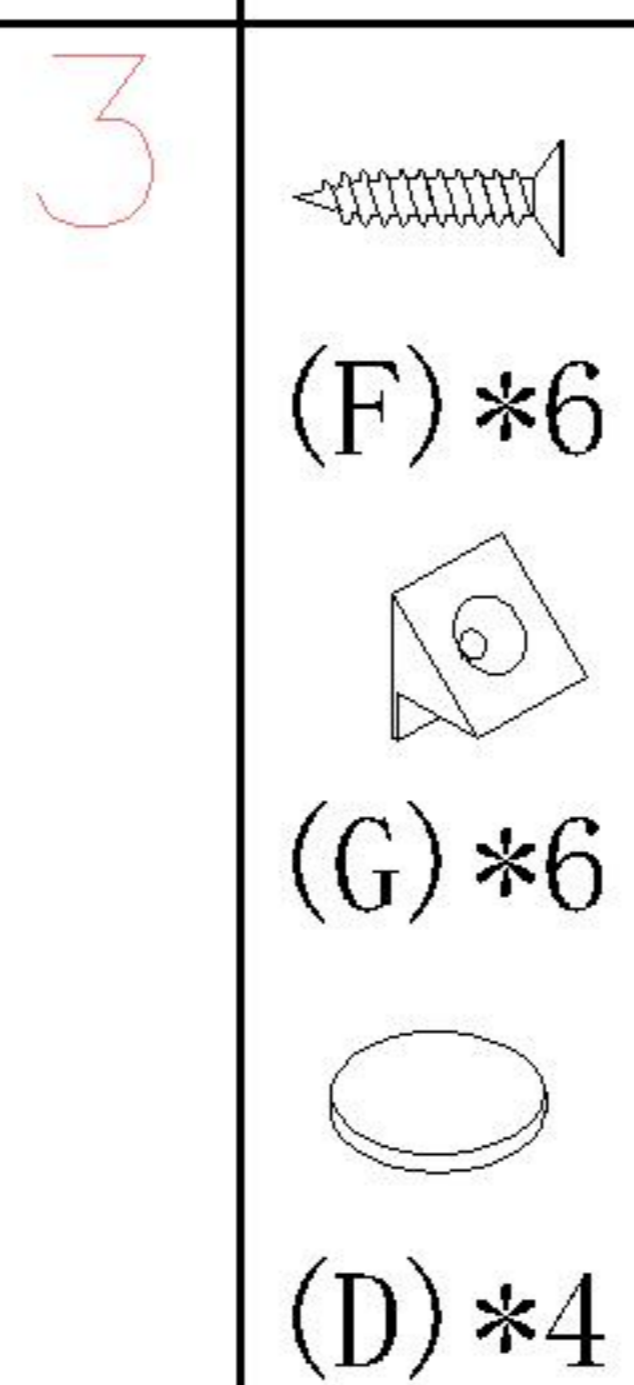
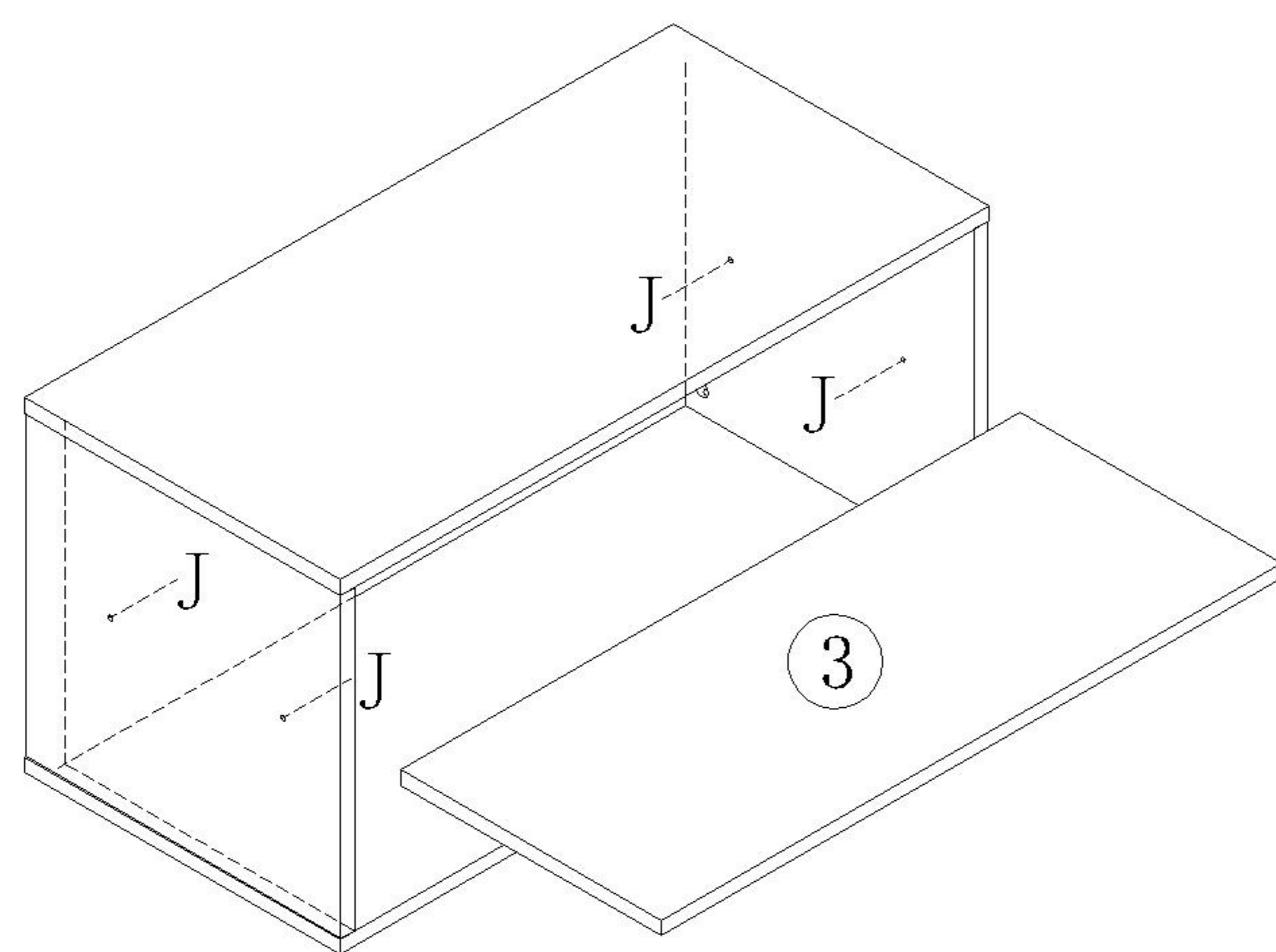
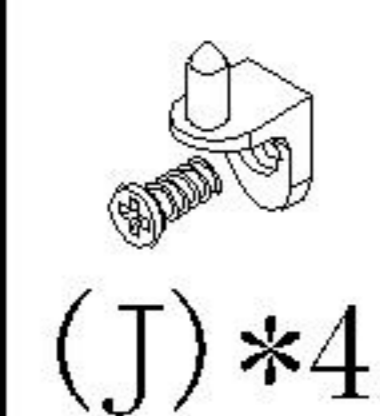
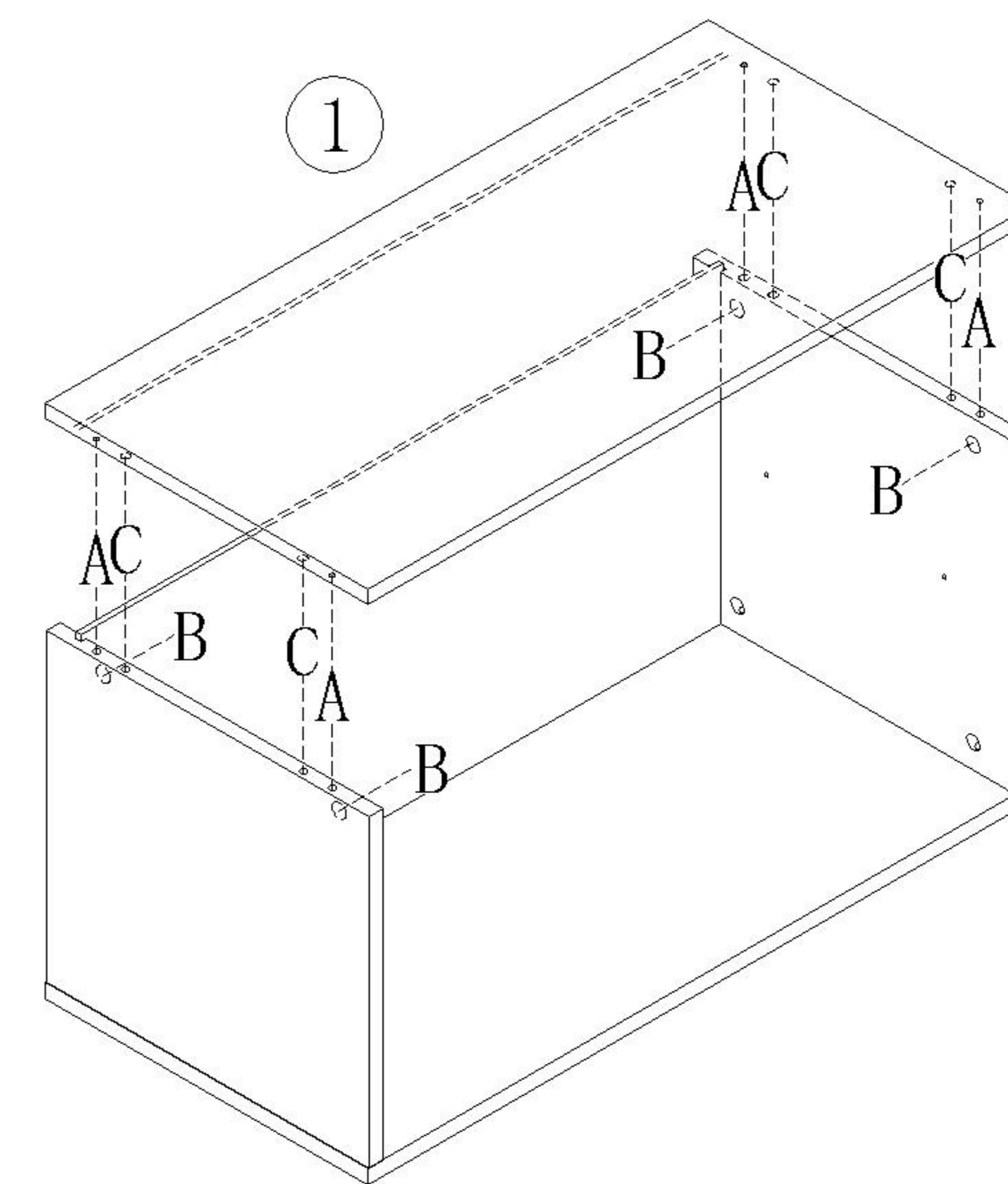
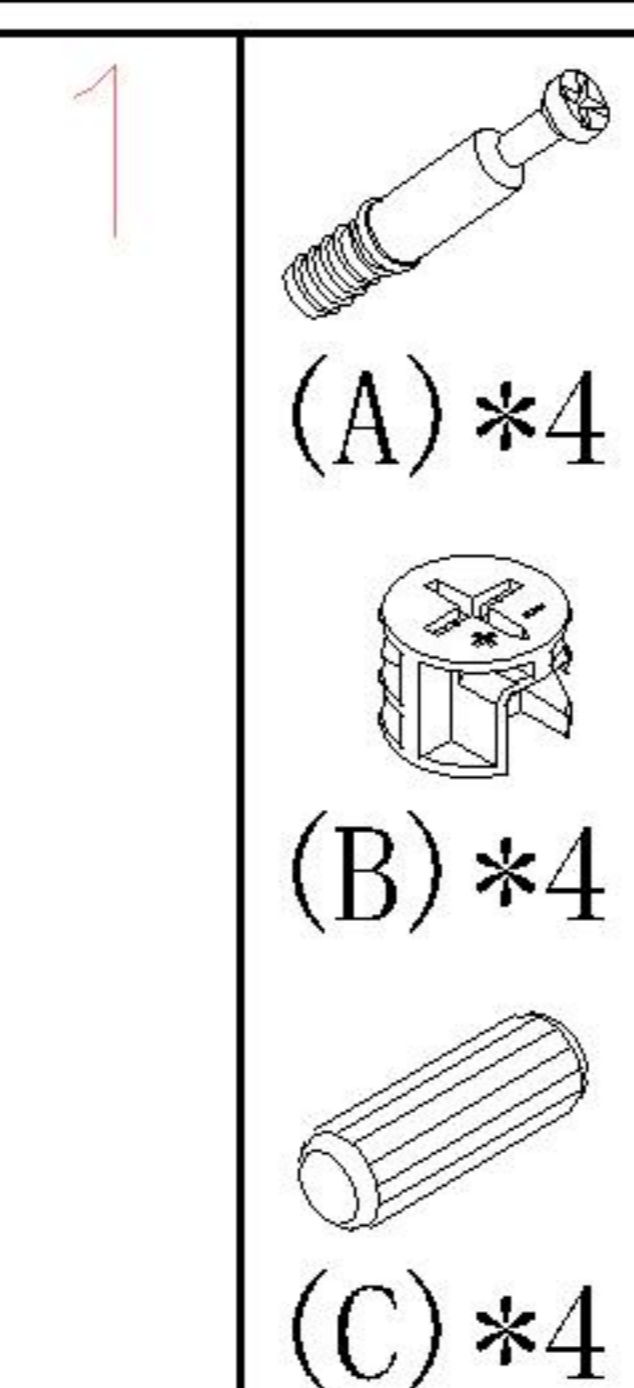
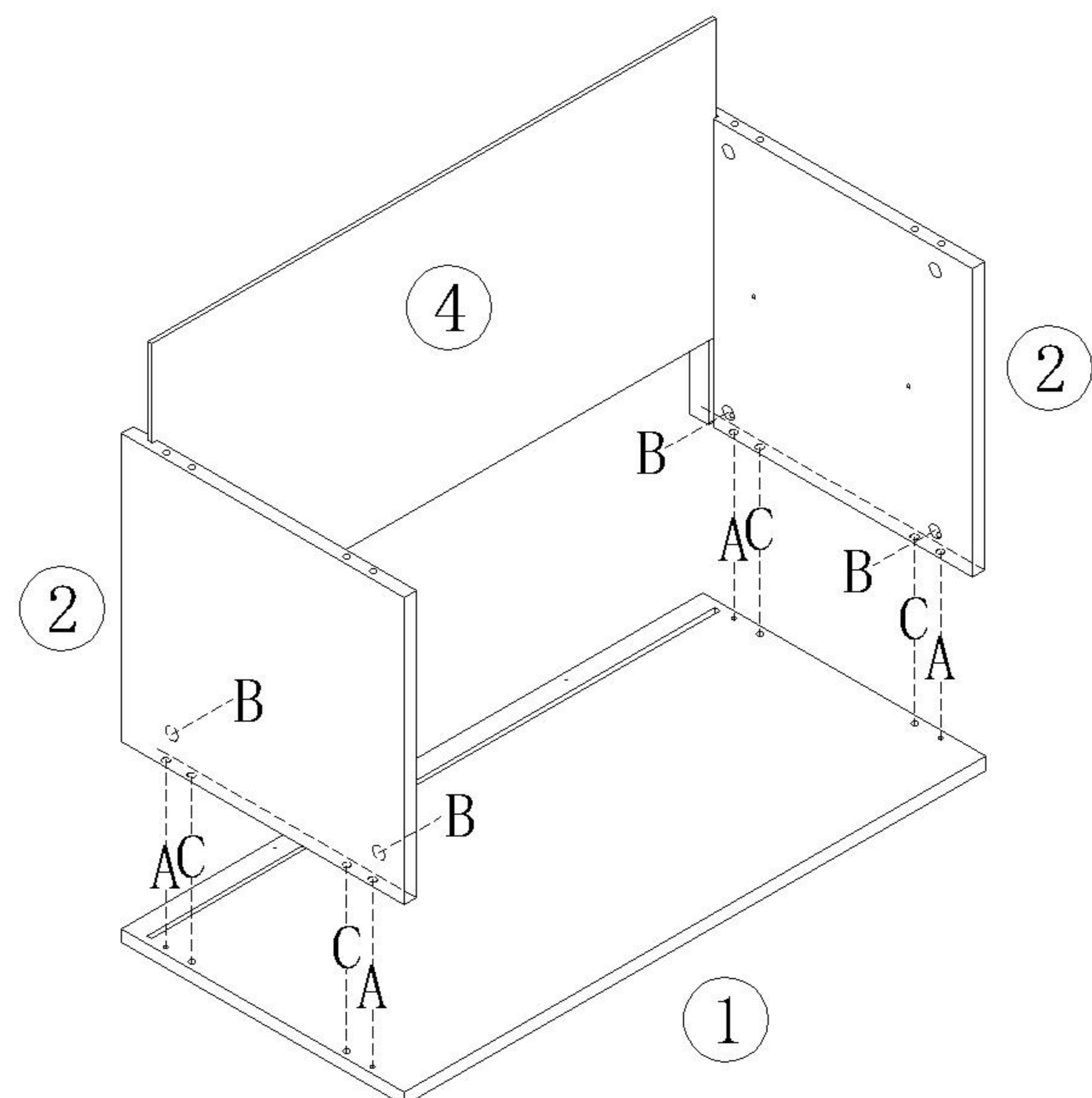
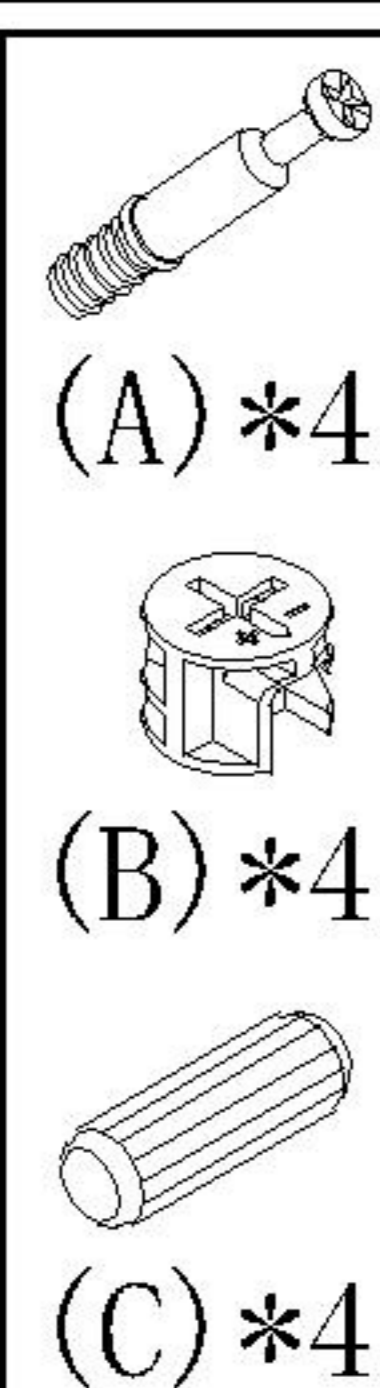
背板扣
Back Plate Buckle



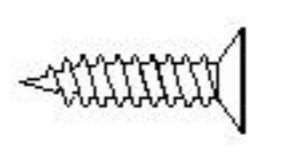
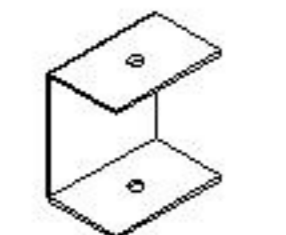
侧板
Side plate



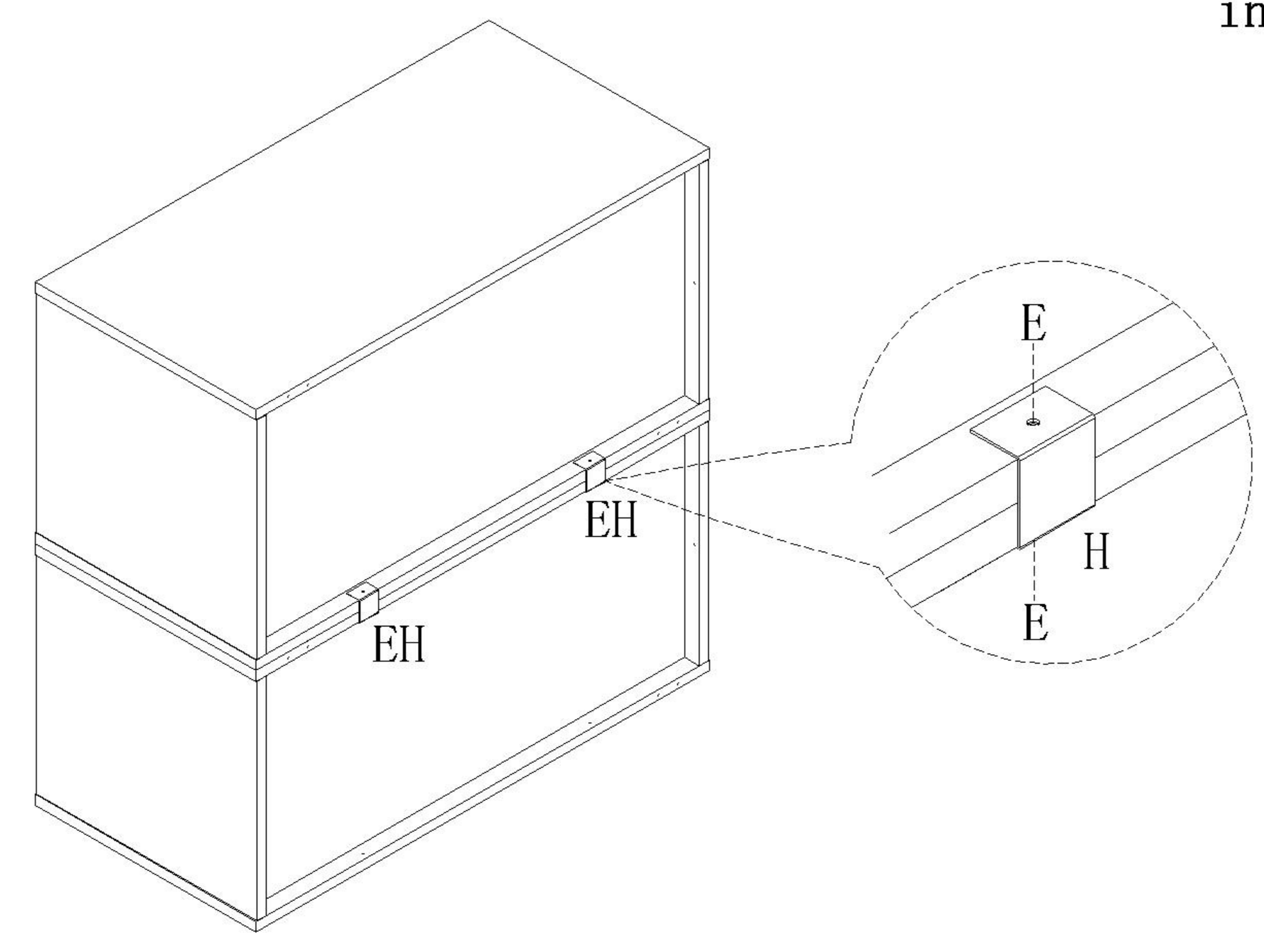
层板托5mm
shelf support



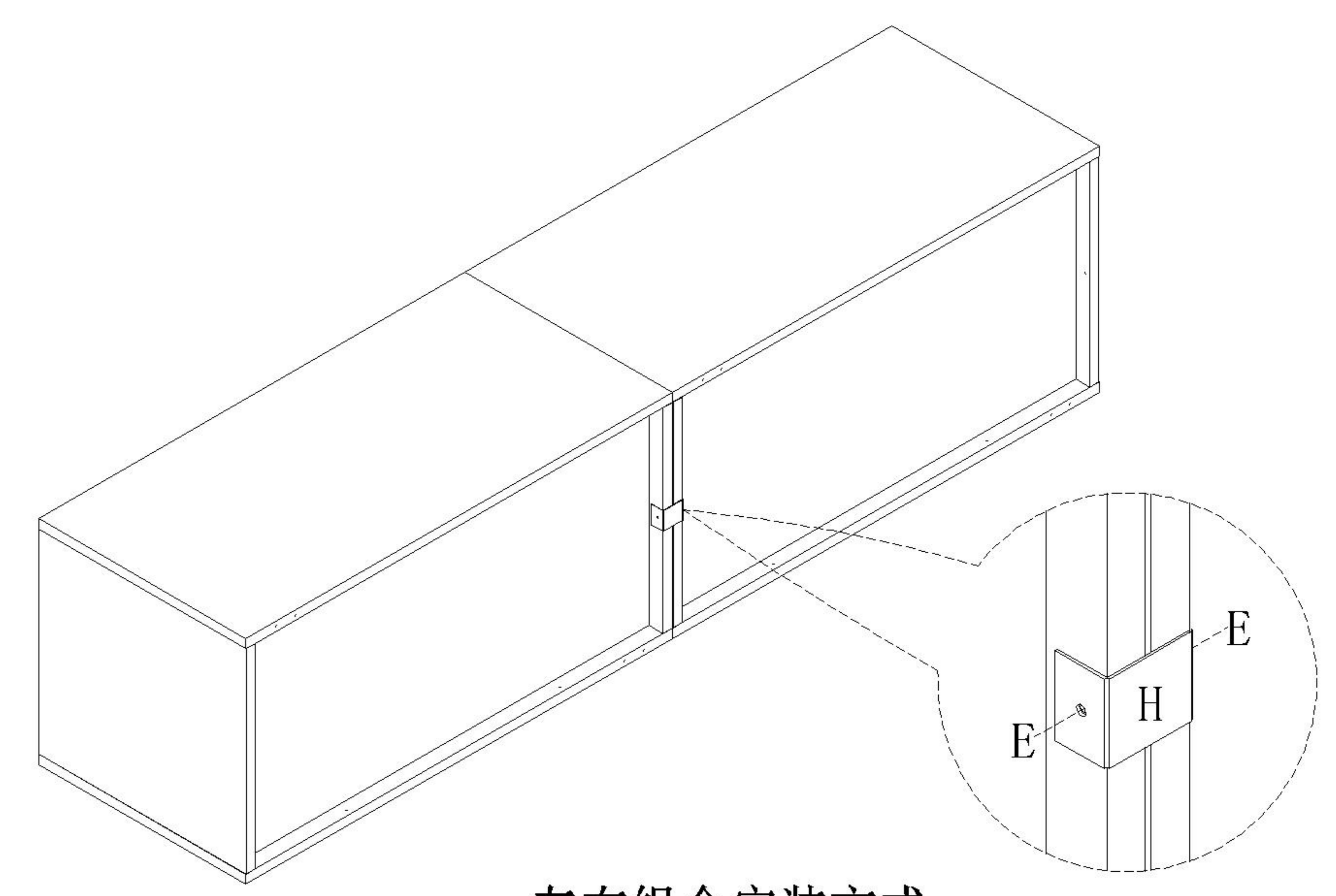
安装方法 Installation method

-  (E)*4
-  (H)*2

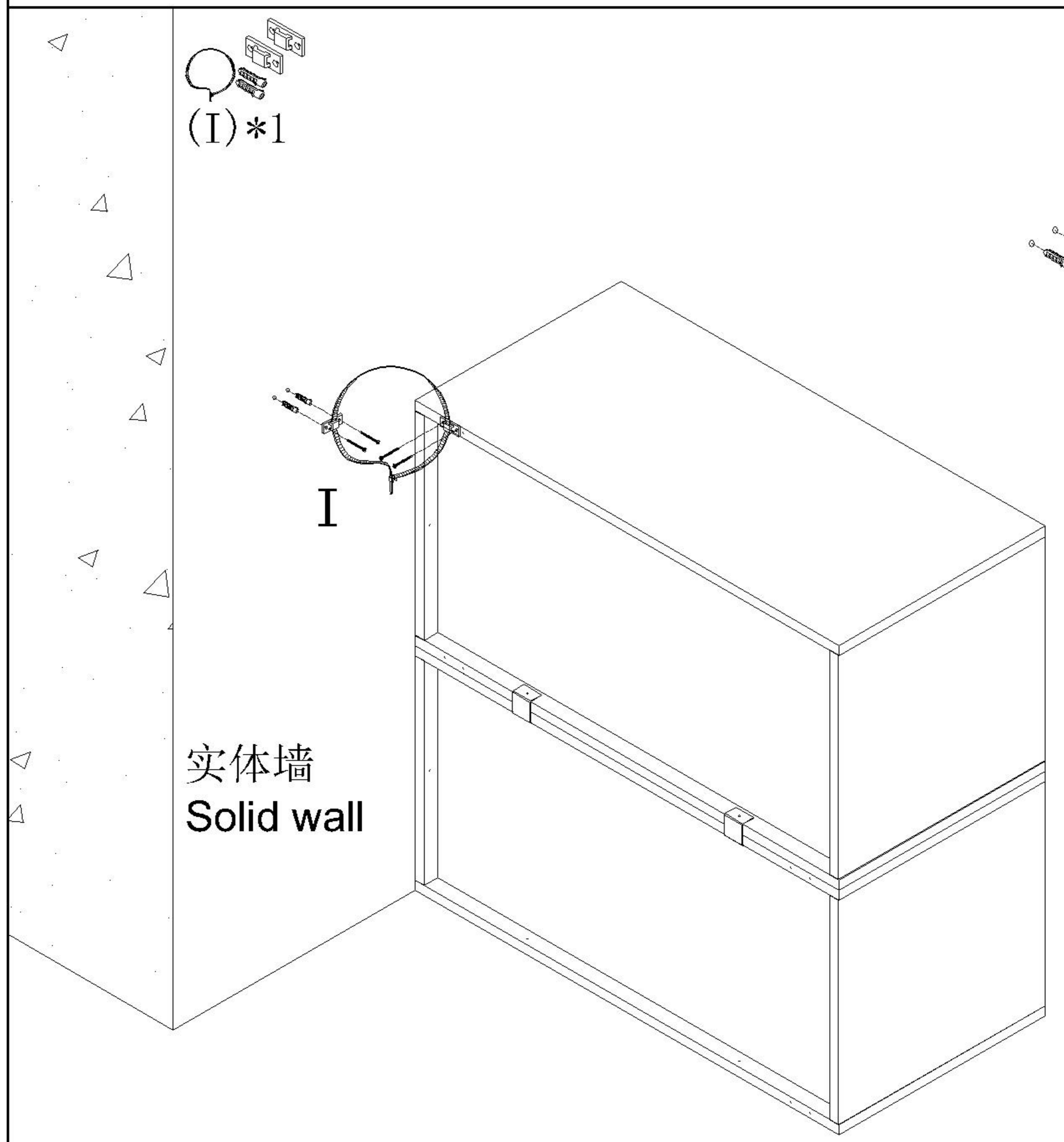
组合连接方式, 如只购买单个柜体无需安装
Combination connection method, such as purchasing only a single cabinet without installation



上下组合安装方式
Upper and lower combination installation method

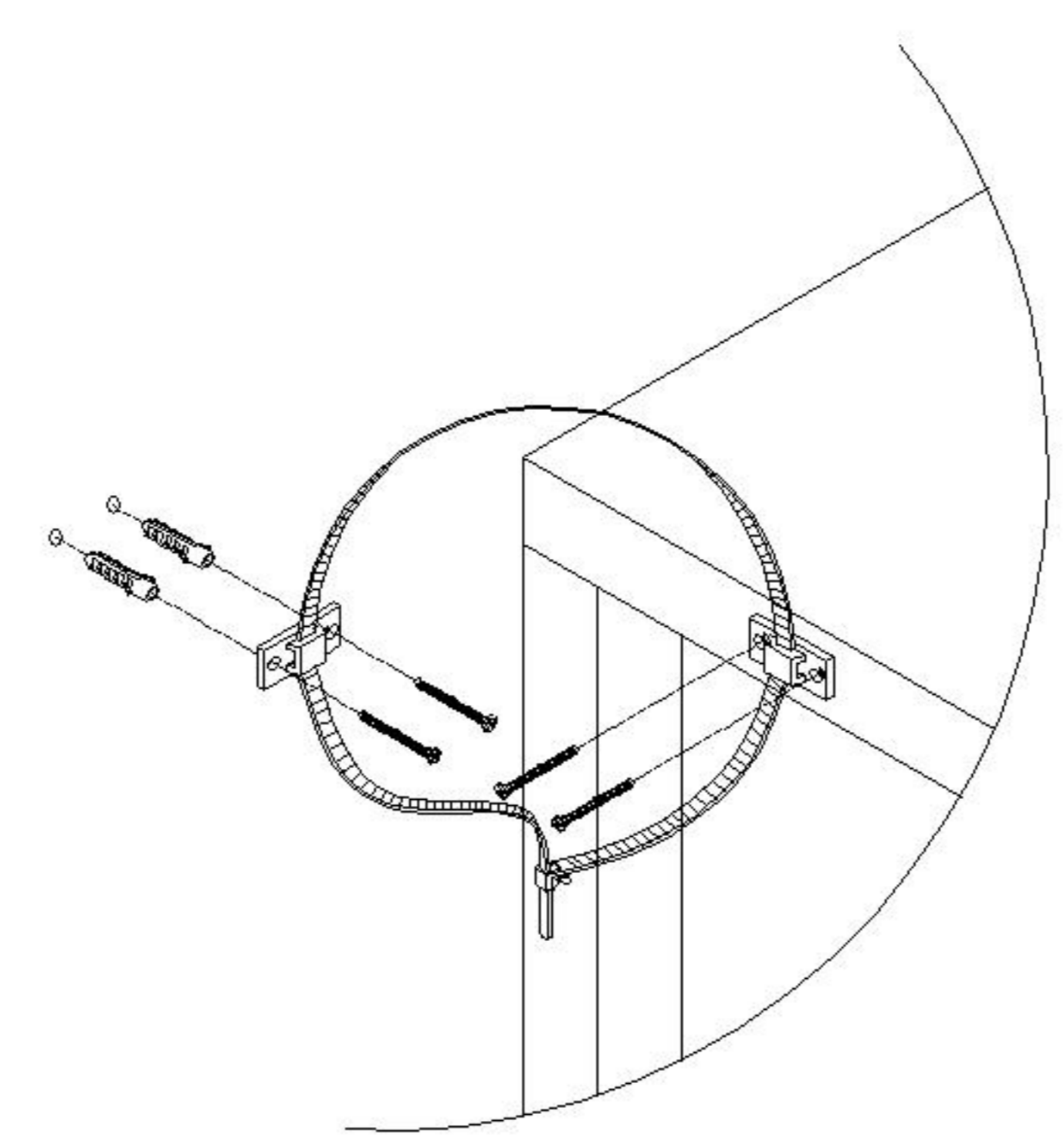


左右组合安装方式
Left and right combination installation method



实体墙
Solid wall

-  (I)*1



柜子组合高度超600MM
需安装上防倒器
Cabinet combination height exceeding 600MM requires installation of an anti fall device

