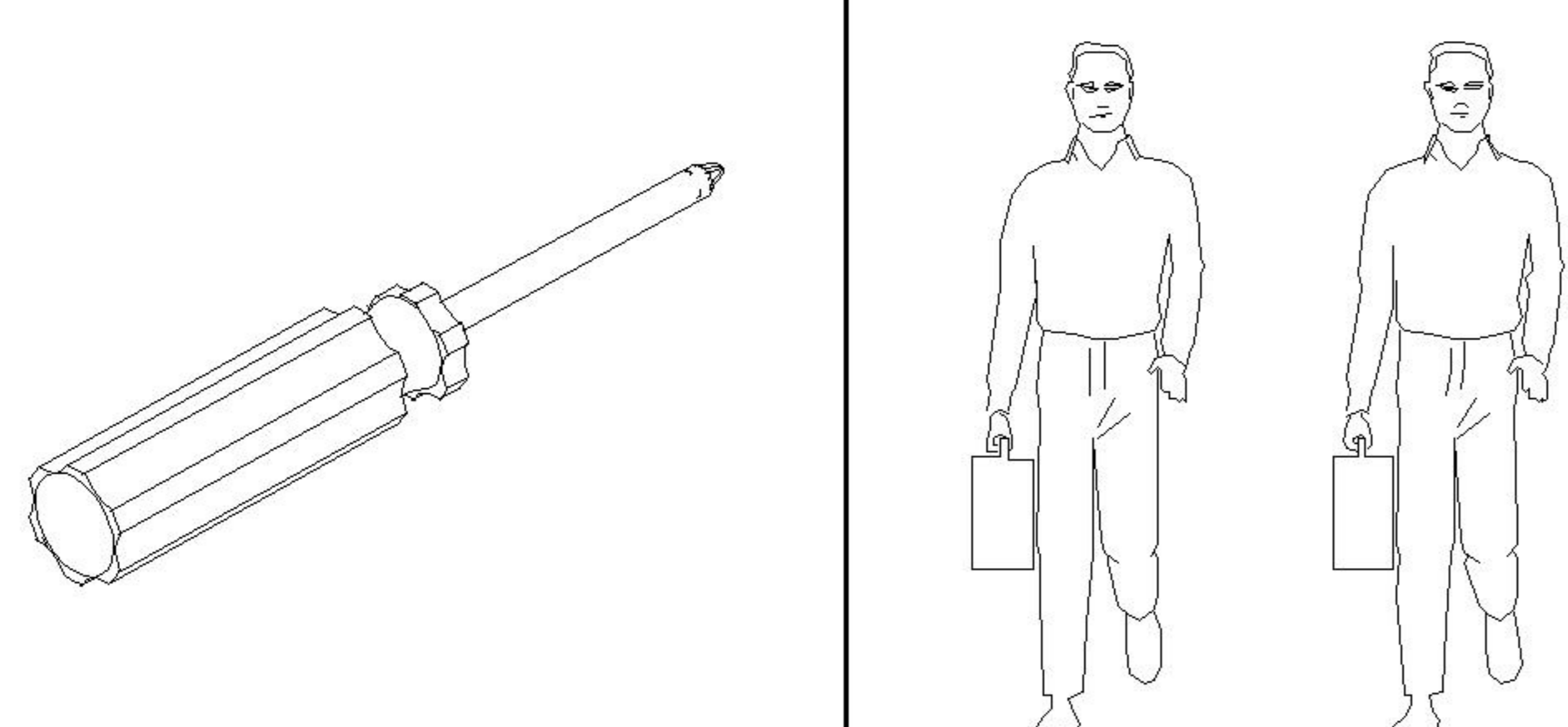


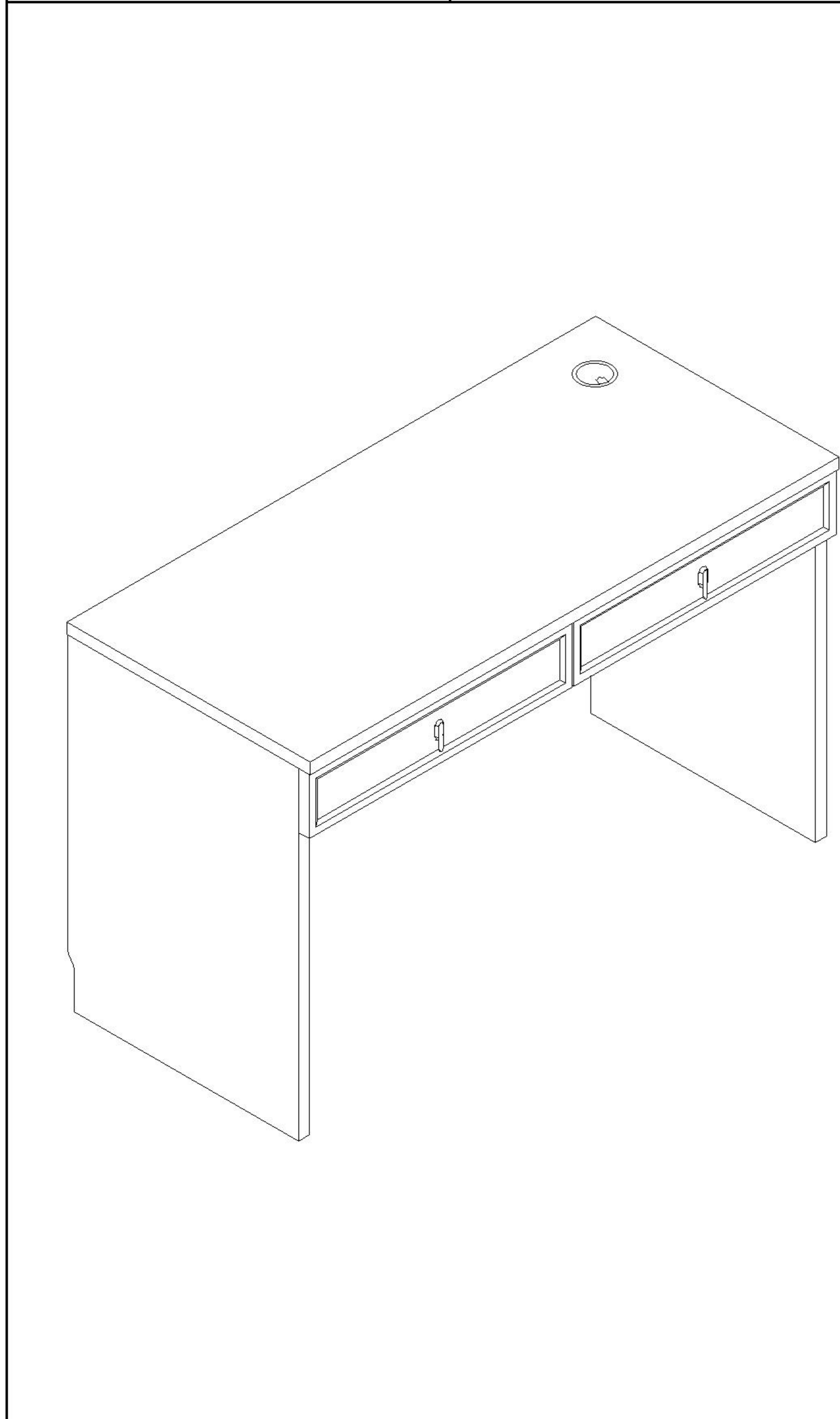
LINSY 林氏家居

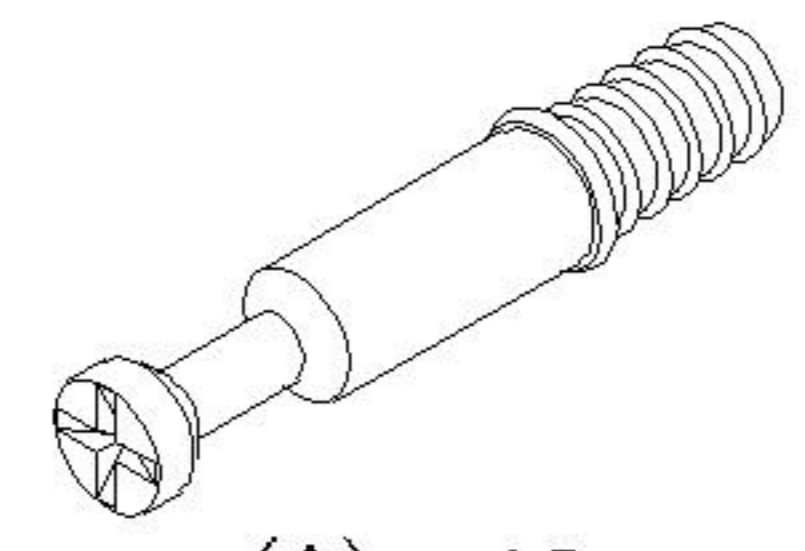
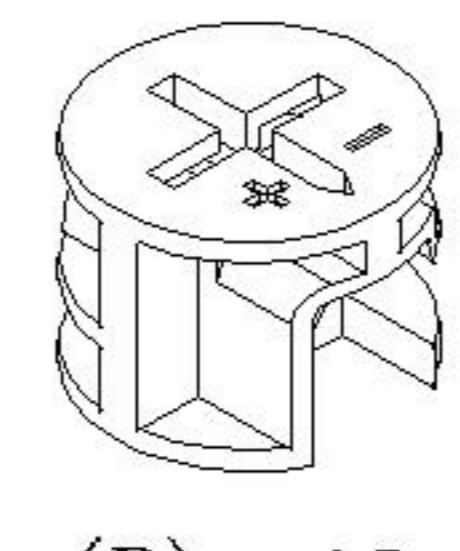
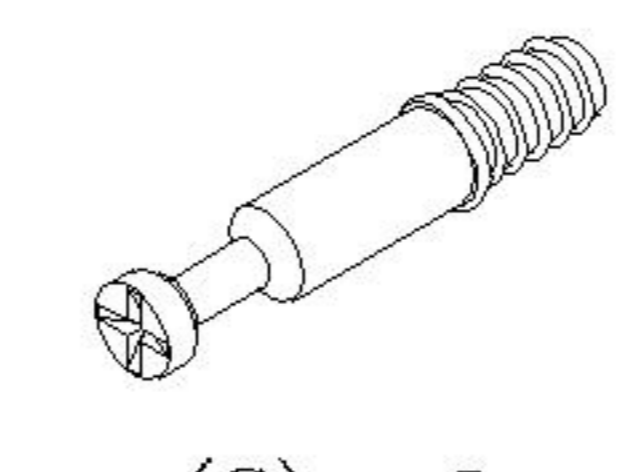
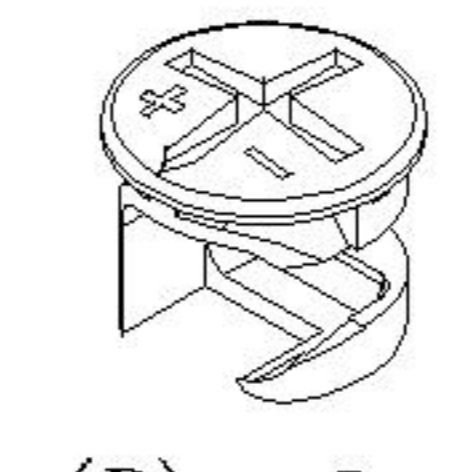
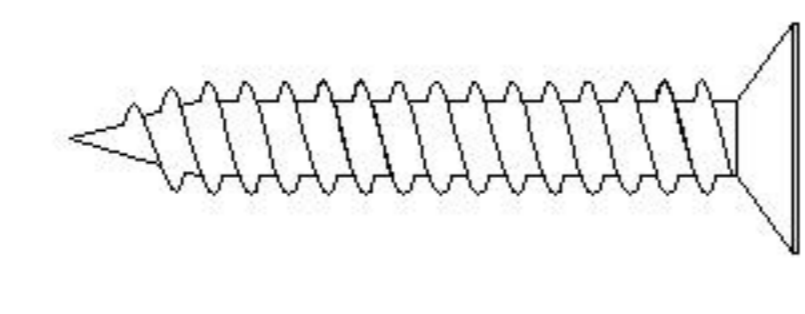
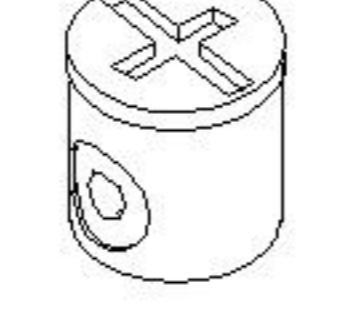
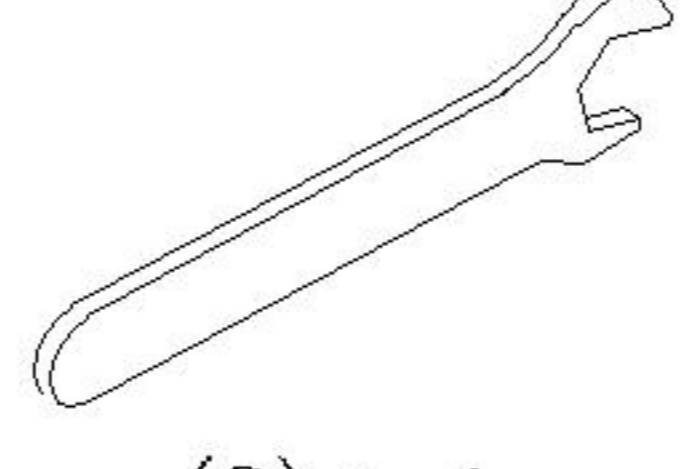
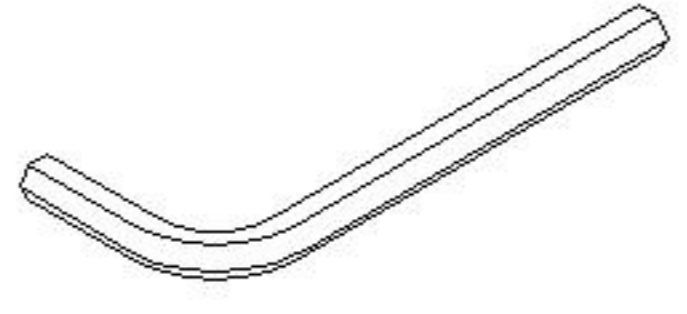
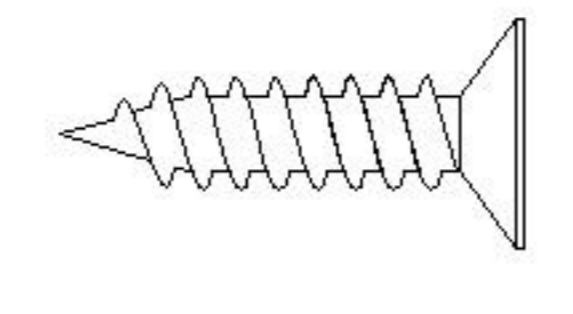
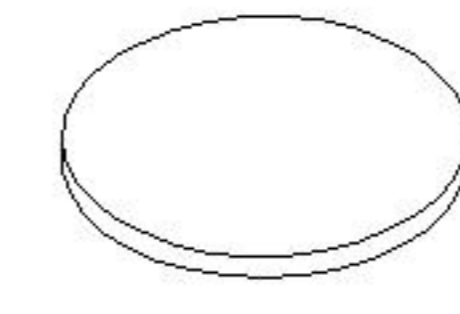
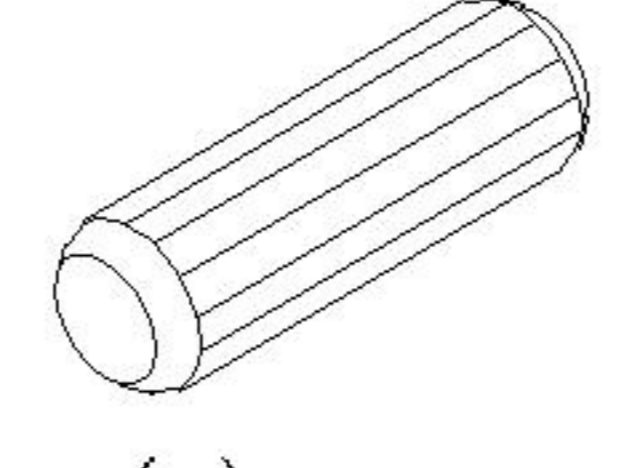
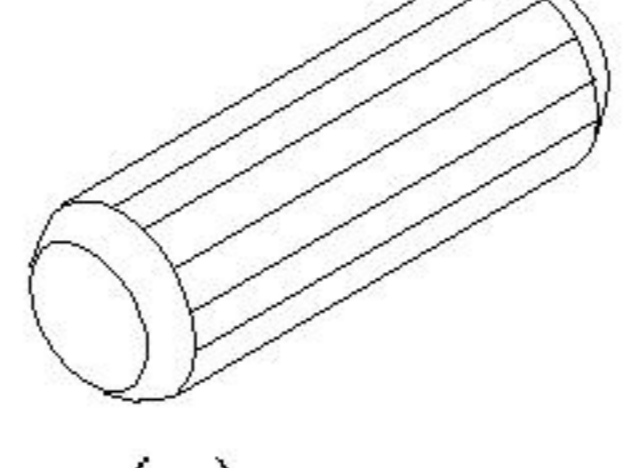
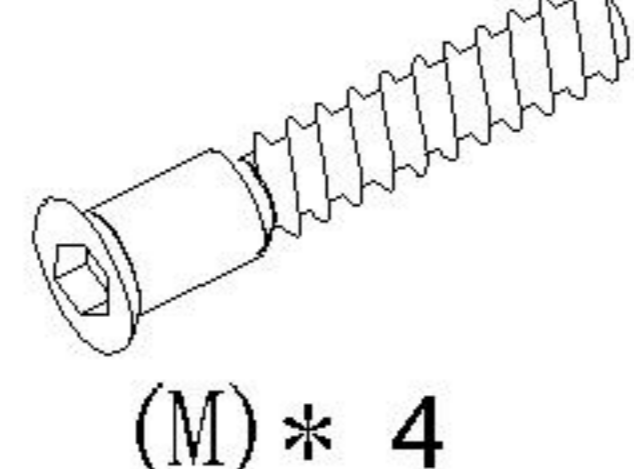
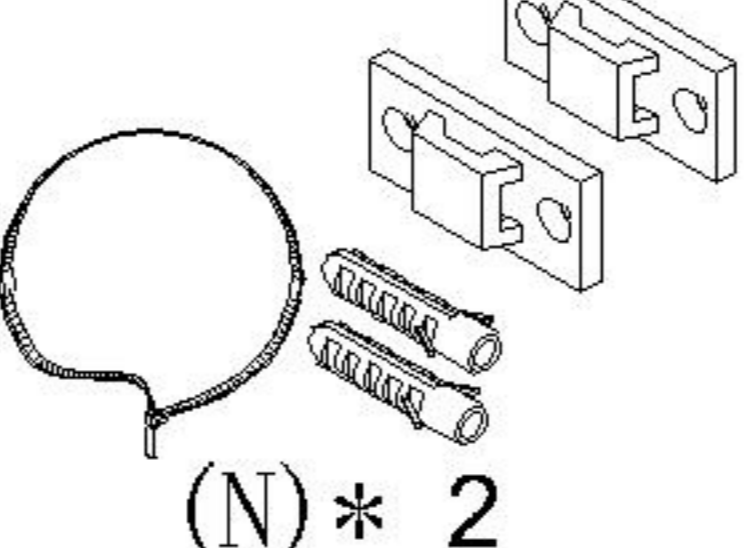
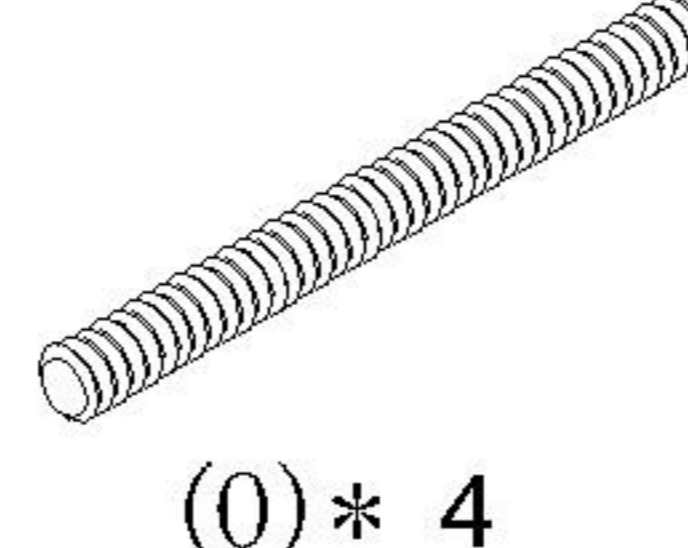
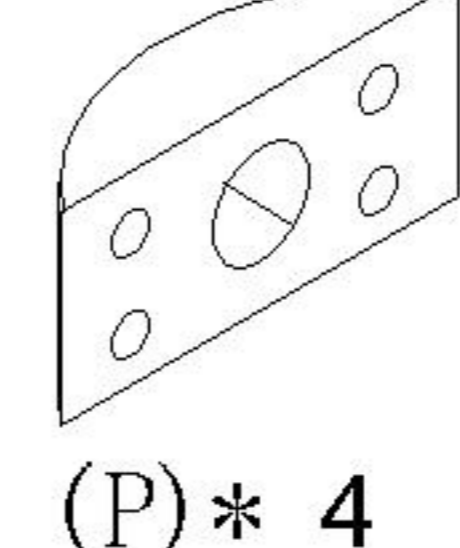
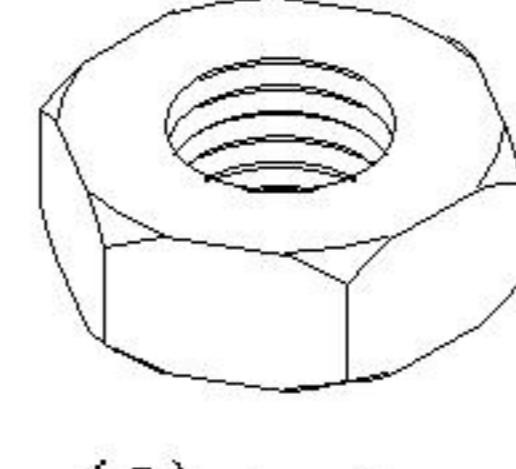
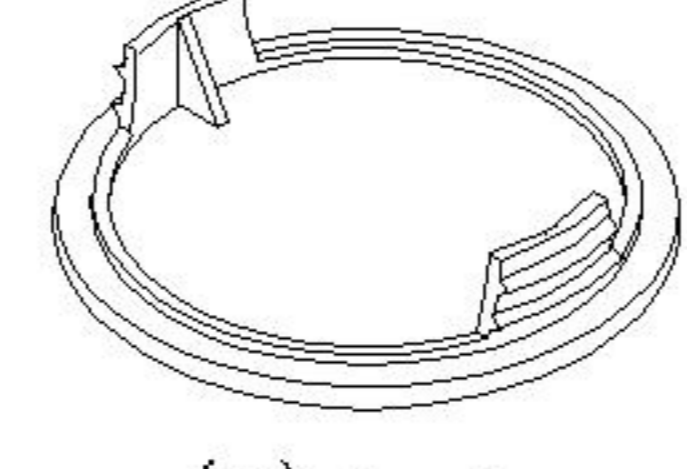
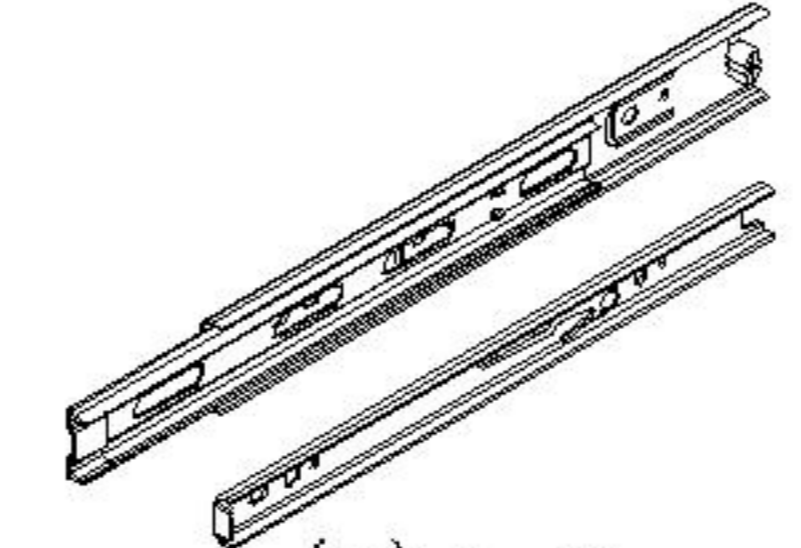
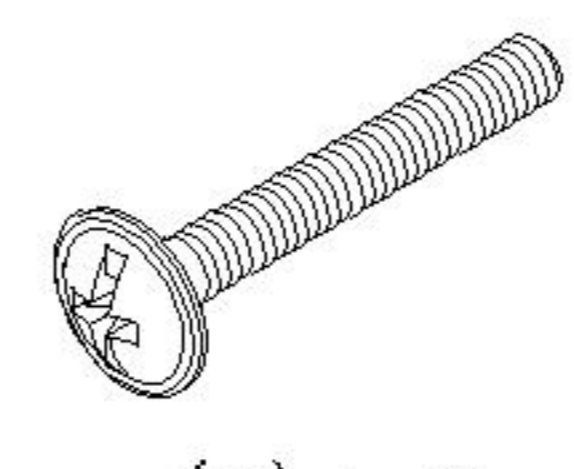
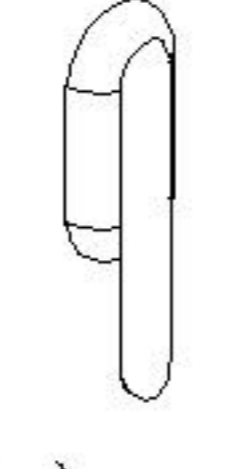
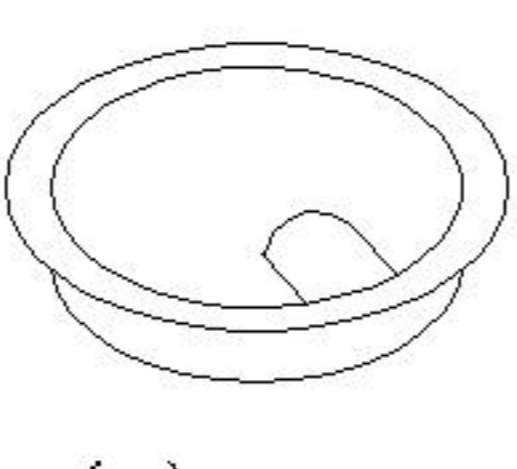
五金表/Hardware list

部件表/Parts List

安装示意图/Assembly Instruction

产品名称 Model NO.	T02V-A
产品规格 Specification	1197*556*760 mm
安装工具 Tool	安装人数 Installer
	

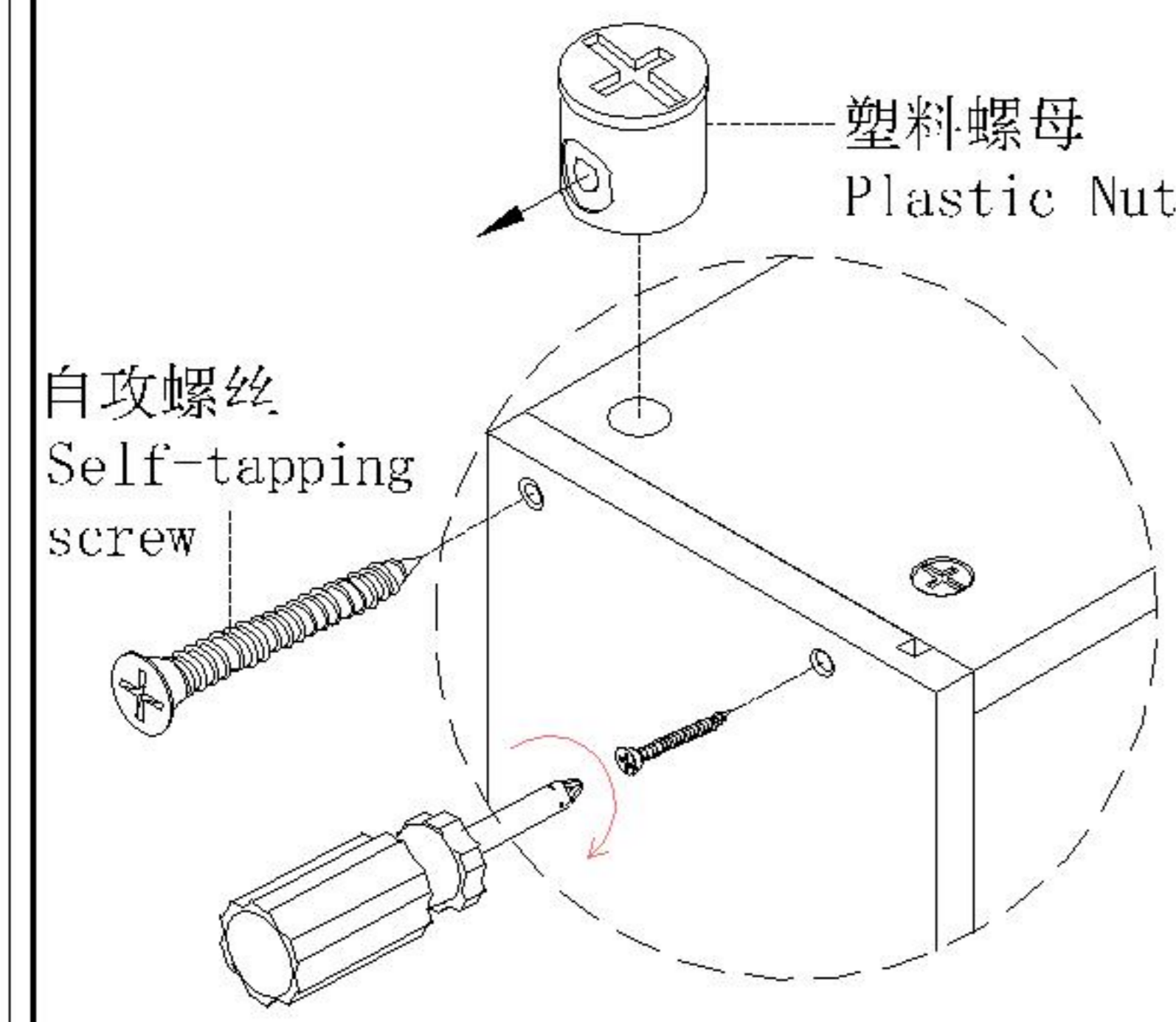


 (A)* 18 二合一螺杆(35mm) 2-in-1-screw	 (B)* 18 大三合一锁饼(15mm) Three-in-one large lock	 (C)* 8 小二合一杆7*28 small two-in-one rod	 (D)* 8 小三合一锁饼(13mm) small three-in-one lock
 (E)* 8 自攻螺丝M4x40mm Self-tapping screw	 (F)* 8 塑料螺母 Plastic Nut	 (G)* 1 开口扳手10mm Wrench- Open End Wrench	 (H)* 1 内六角扳手4mm spanner-(4mm) hex
 (I)* 25 自攻螺丝M3.5x12mm Self-tapping screw	 (J)* 4 脚垫-灰色 Footrest - Grey	 (K)* 2 木榫Ø8x30mm wood tenon	 (L)* 4 木榫Ø10x40mm wood tenon
 (M)* 4 过山丝-M7x38mm Self tapping screw galvanized	 (N)* 2 家具防倒器-白色 Anti-fall device white	 (O)* 4 全牙螺杆-M8x75mm screw- color zinc	 (P)* 4 五合一月牙 5-in-1 screw(28*15*6.5)
 (Q)* 4 外六角螺母M8 Hexagon Nut colored zinc	 (R)* 4 五合一孔盖-白色 five-in-one plastic cover-white	 (S)* 2 三节滚珠导轨-12" three-section ball rail	 (T)* 2 拉手螺丝-M4x22mm pulling screw
 (U)* 2 香槟金一字型拉手 pulling screw	 (V)* 1 穿线孔盖 Plastic cover		

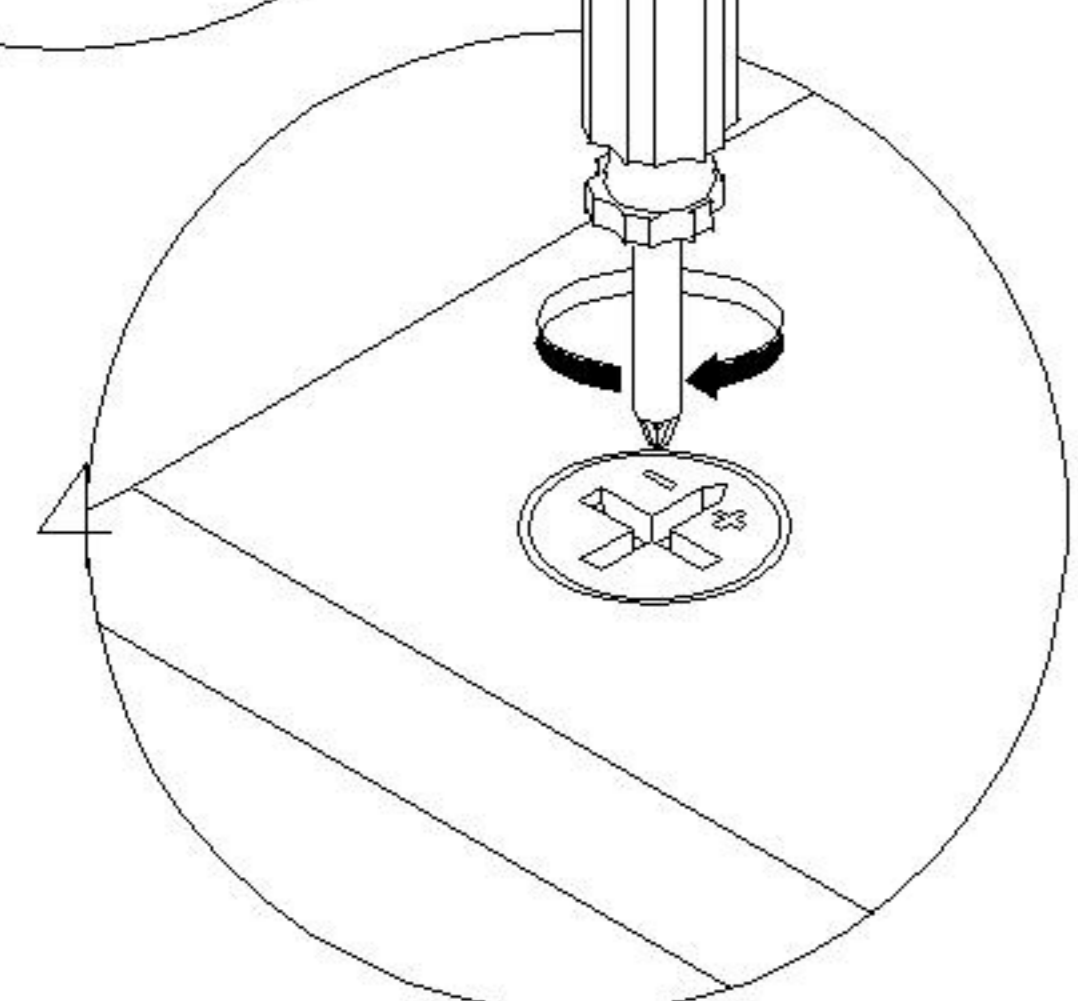
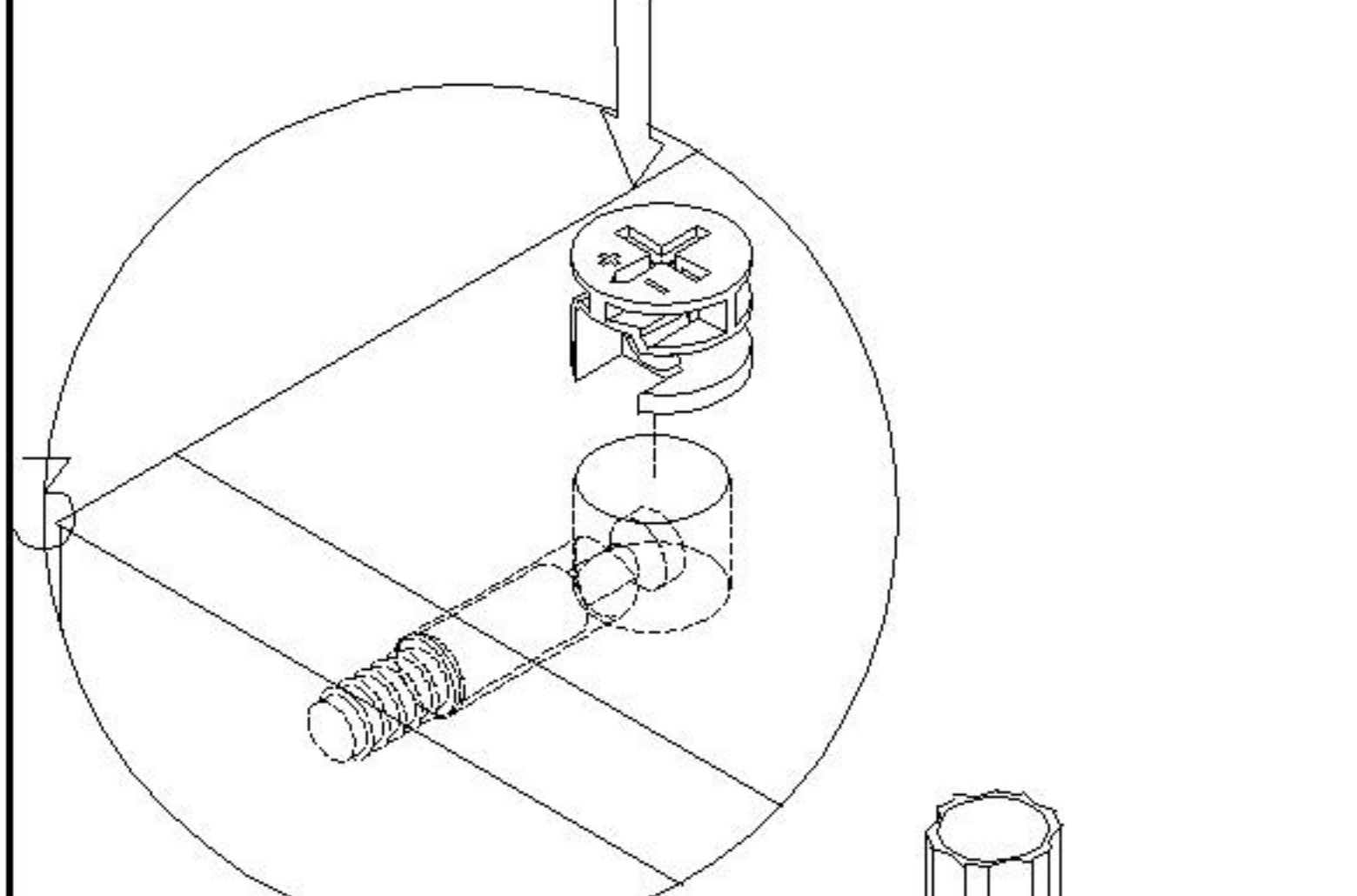
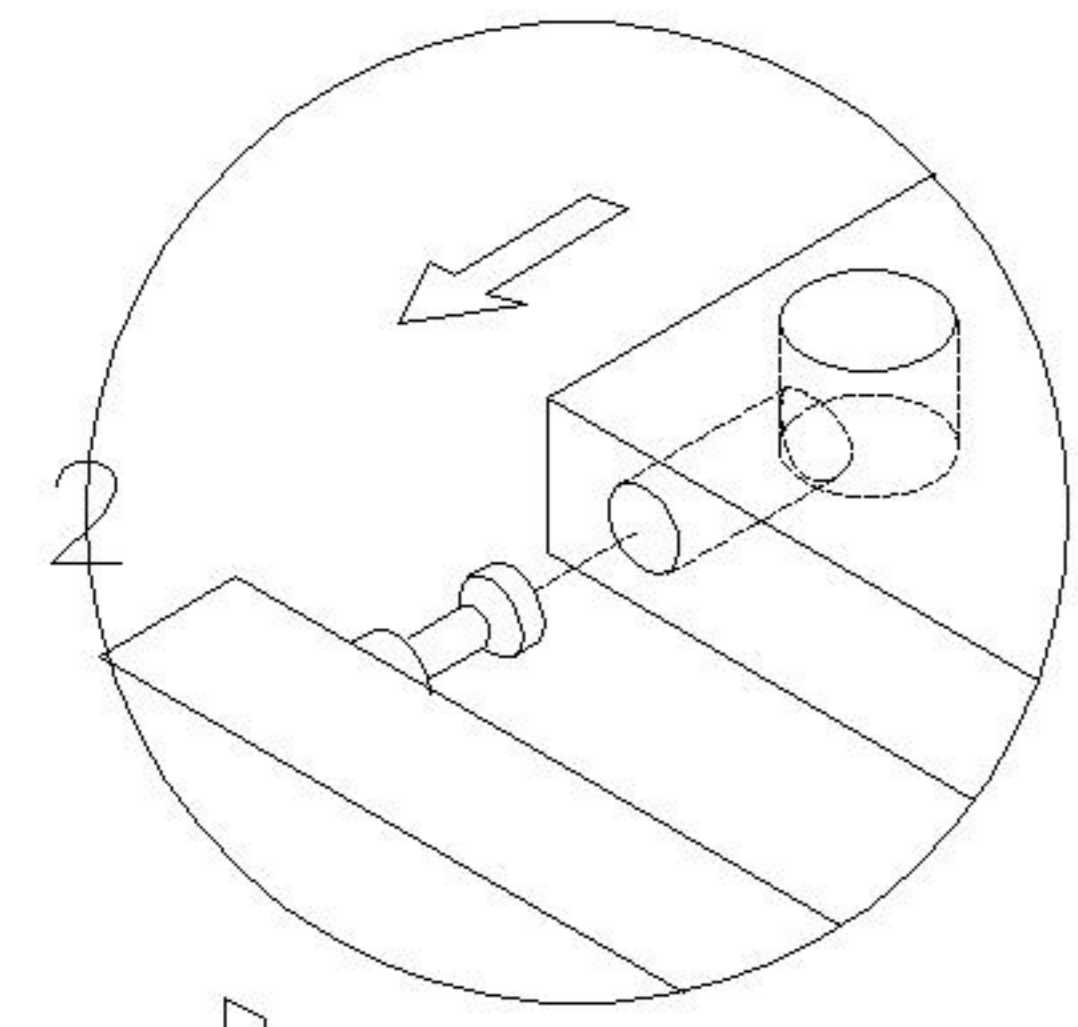
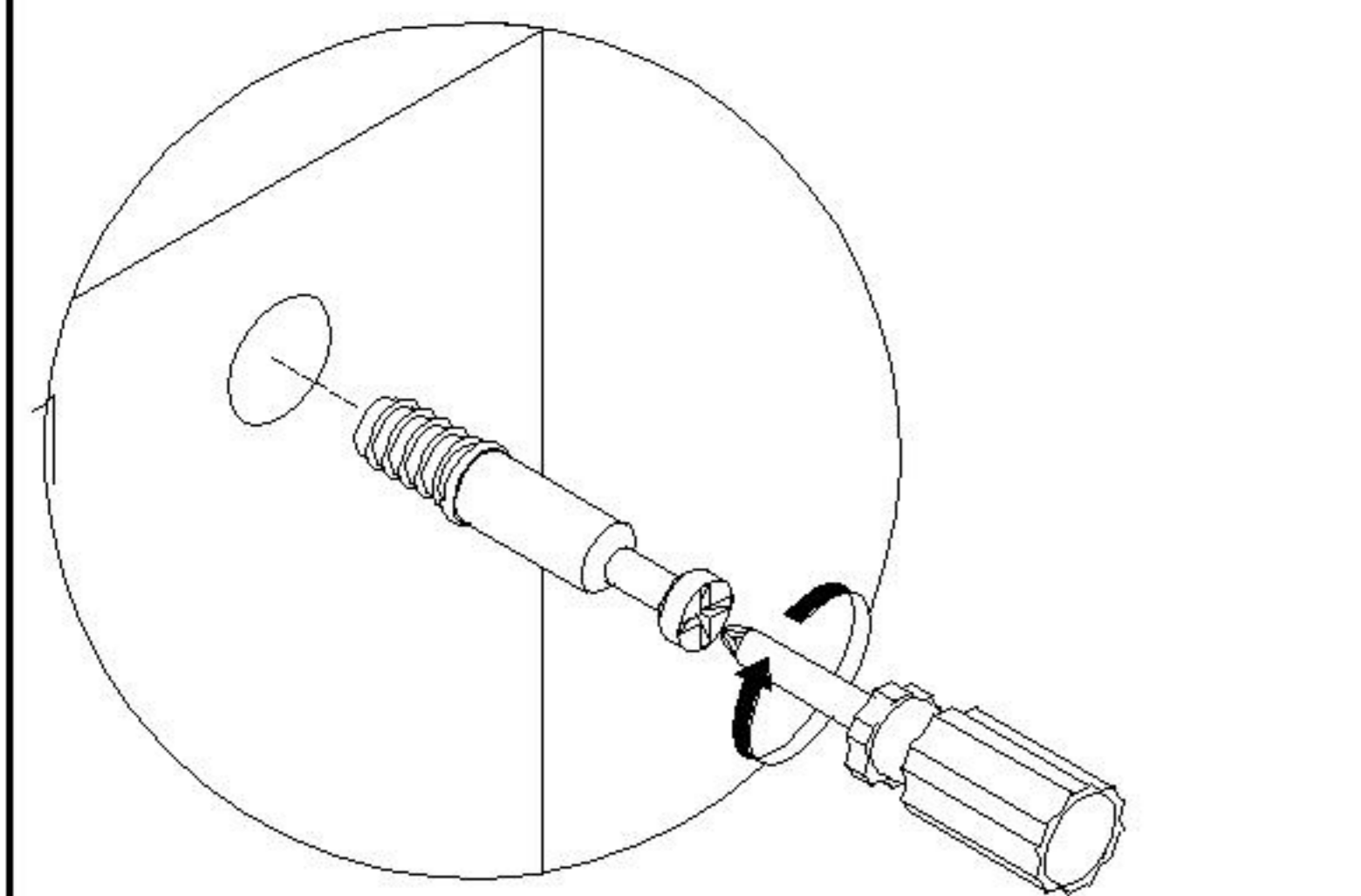
编号NO.	名称Name	规格 (mm) Specification	数量QTY	材质Material
①	面板Top panel	1197*550*25	1	三胺板 Melamine
②	左侧板Side board(L)	732*523*25	1	三胺板 Melamine
③	右侧板Side board(R)	732*523*25	1	三胺板 Melamine
④	中侧板Middle side board	503*109*15	1	三胺板 Melamine
⑤	中拉条Brace	1145*95*15	2	三胺板 Melamine
⑥	下背板Lower back board	1145*298*15	1	三胺板 Melamine
⑦	抽屉左侧板Drawer's side board(L)	340*78*12	2	三胺板 Melamine
⑧	抽屉右侧板Drawer's side board(R)	340*78*12	2	三胺板 Melamine
⑨	抽屉后板Drawer's Back board	515*78*12	2	三胺板 Melamine
⑩	抽屉底板Drawer's Bottom board	525*336*5	2	三胺板 Melamine
⑪	左抽屉面板Drawer's panel(L)	595*126*23	1	三胺板 Melamine
⑫	右抽屉面板Drawer's panel(R)	595*126*23	1	三胺板 Melamine

T02V-A

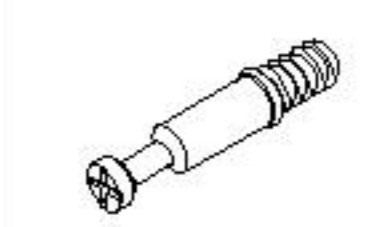
安装方法/
Installation method



塑料螺母
Plastic Nut



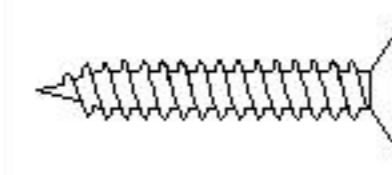
大二合一
two-in-one



(C)*8



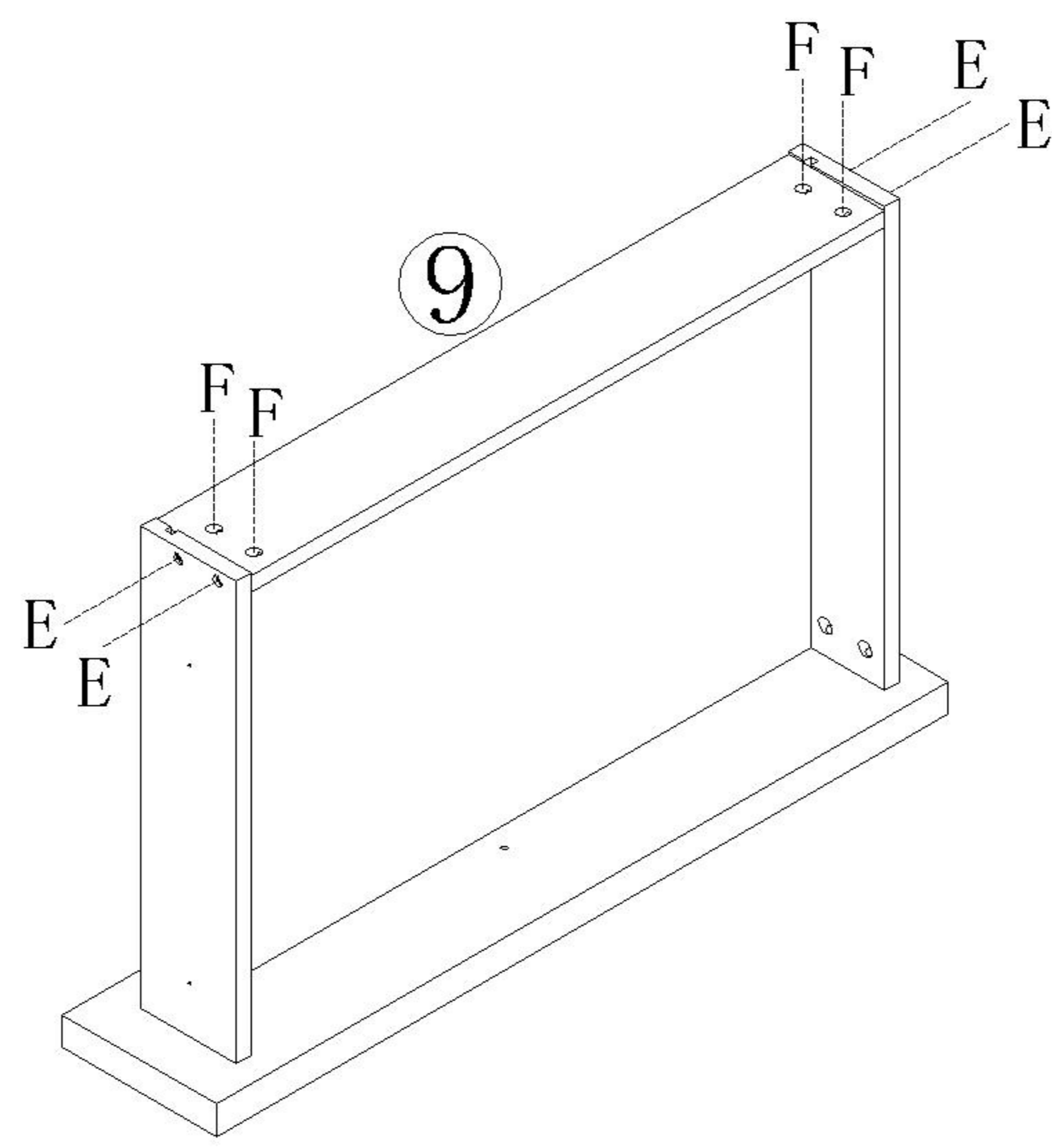
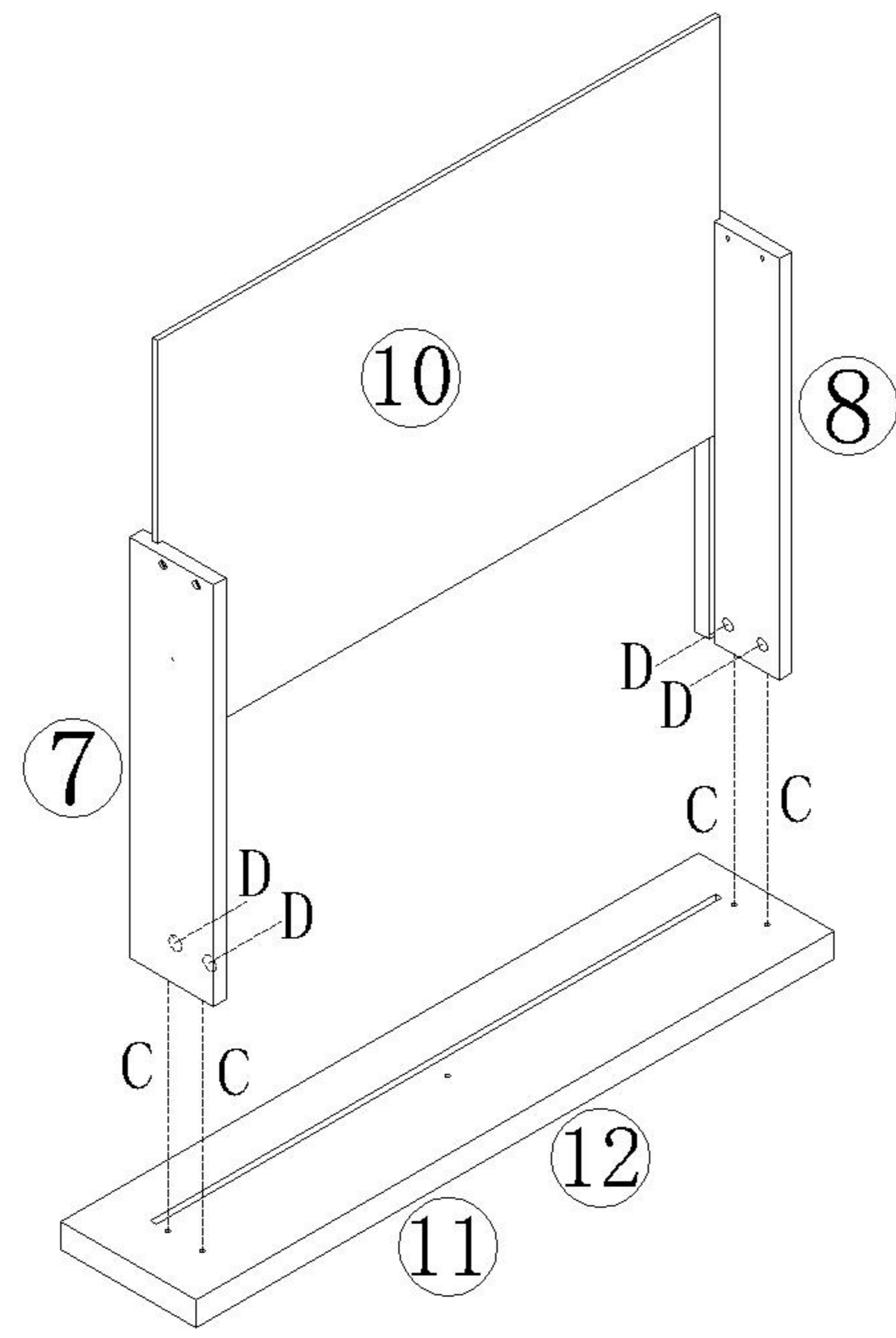
(D)*8



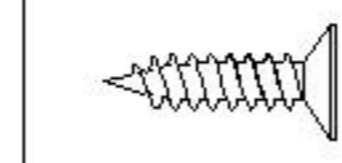
(E)*8



(F)*8



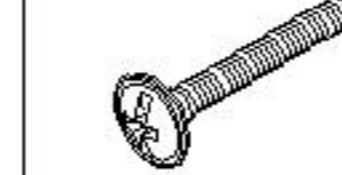
1



(I)*12



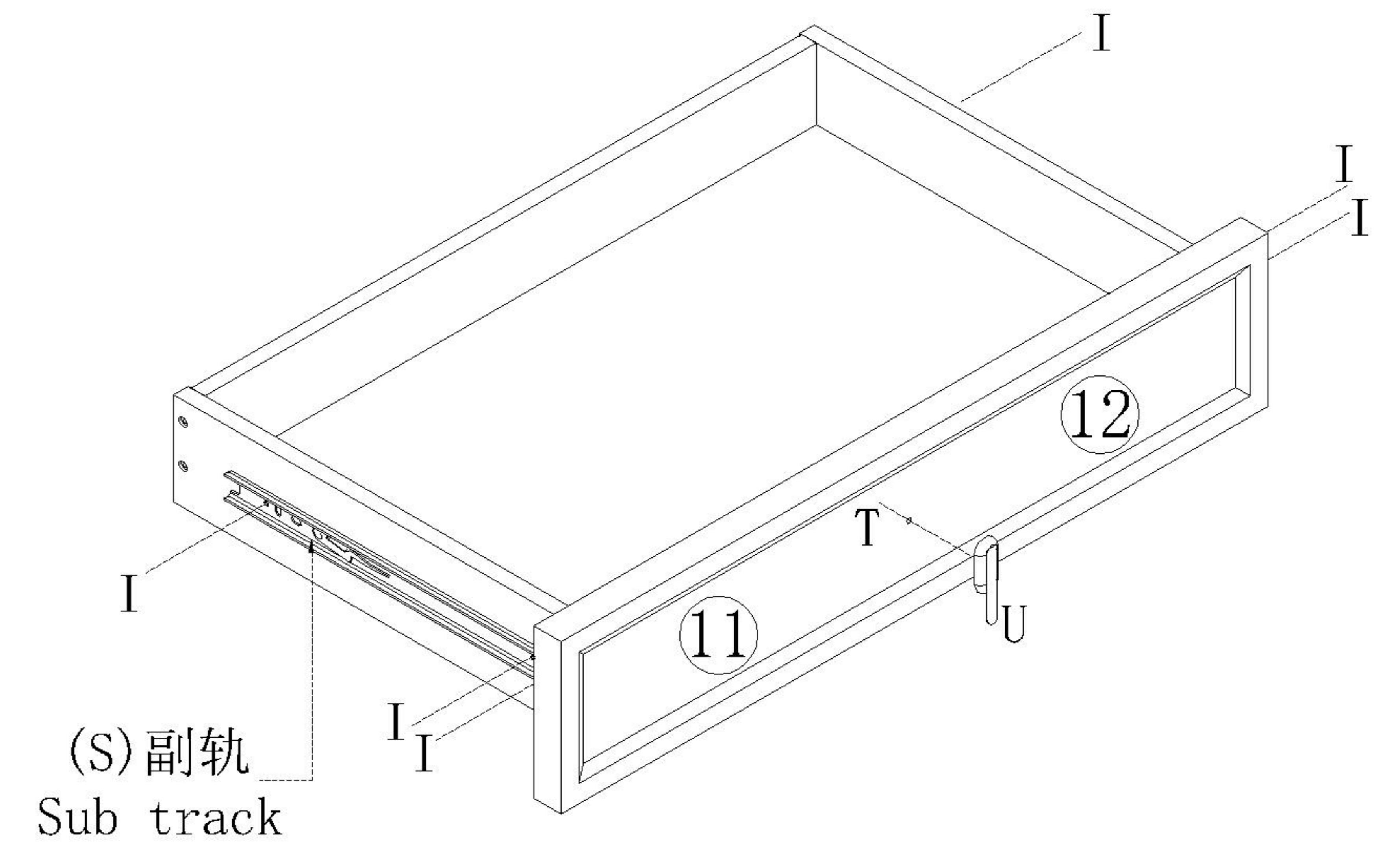
(S)*2



(T)*2



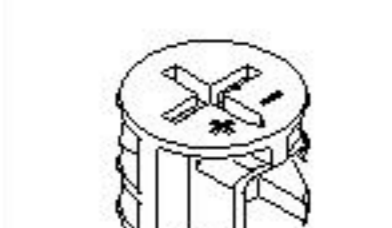
(U)*2



2



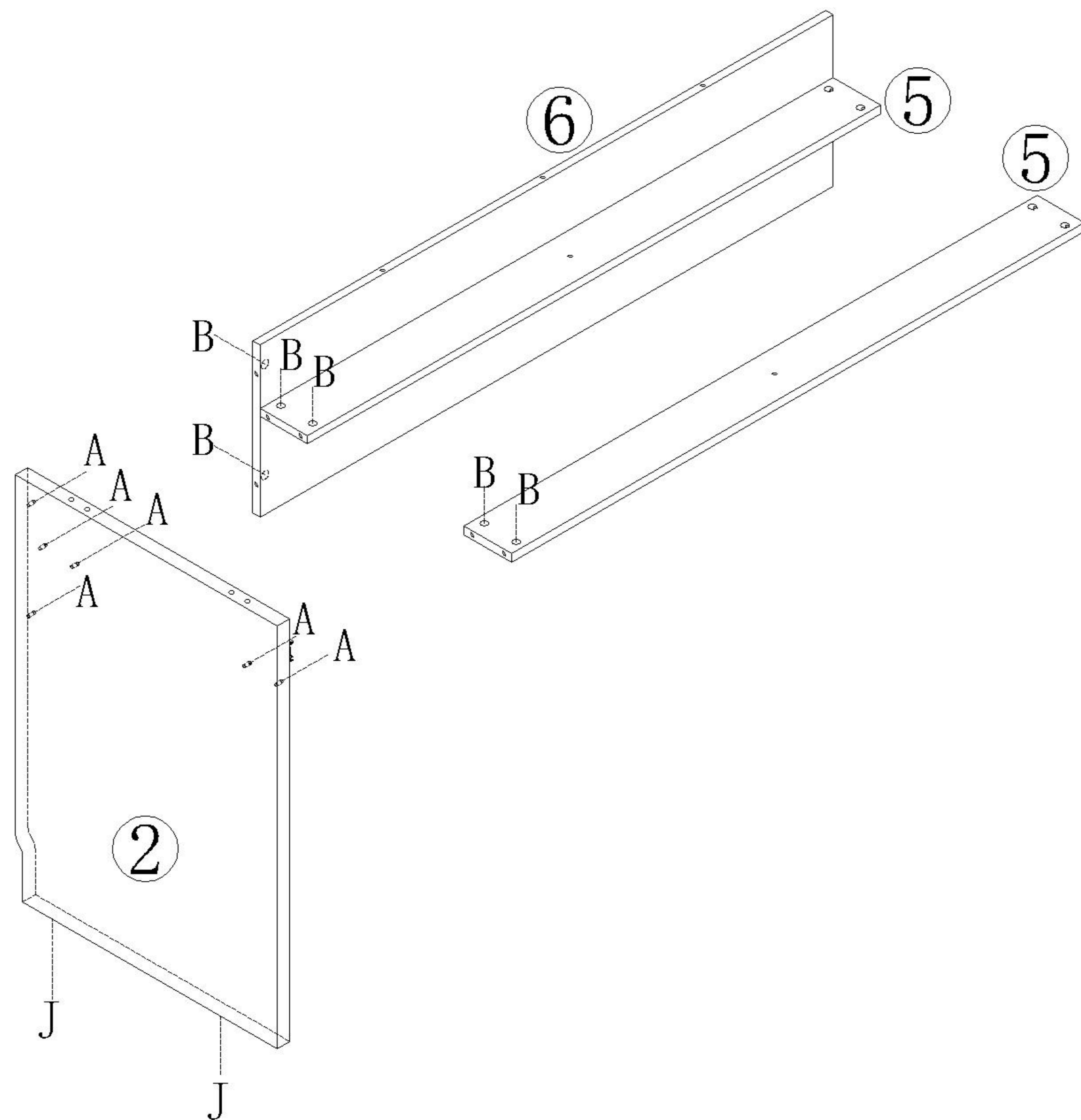
(A)*6



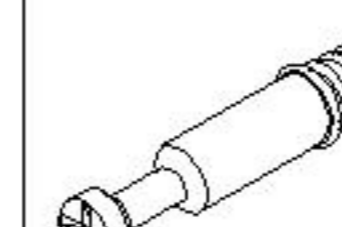
(B)*6



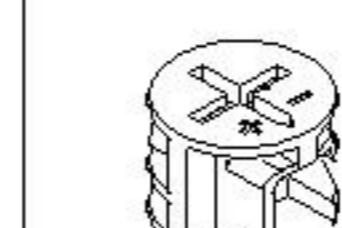
(J)*2



3



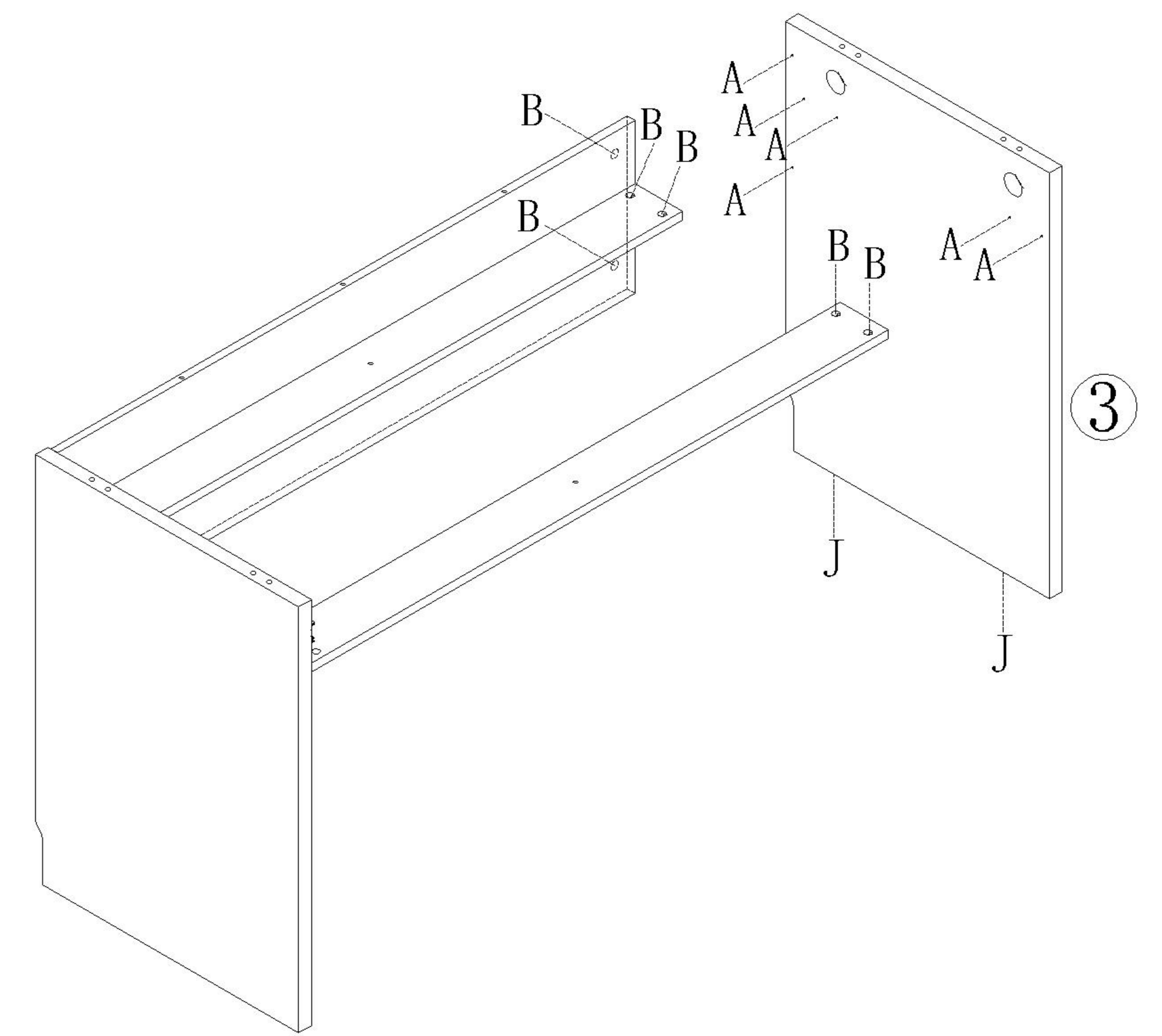
(A)*6



(B)*6



(J)*2

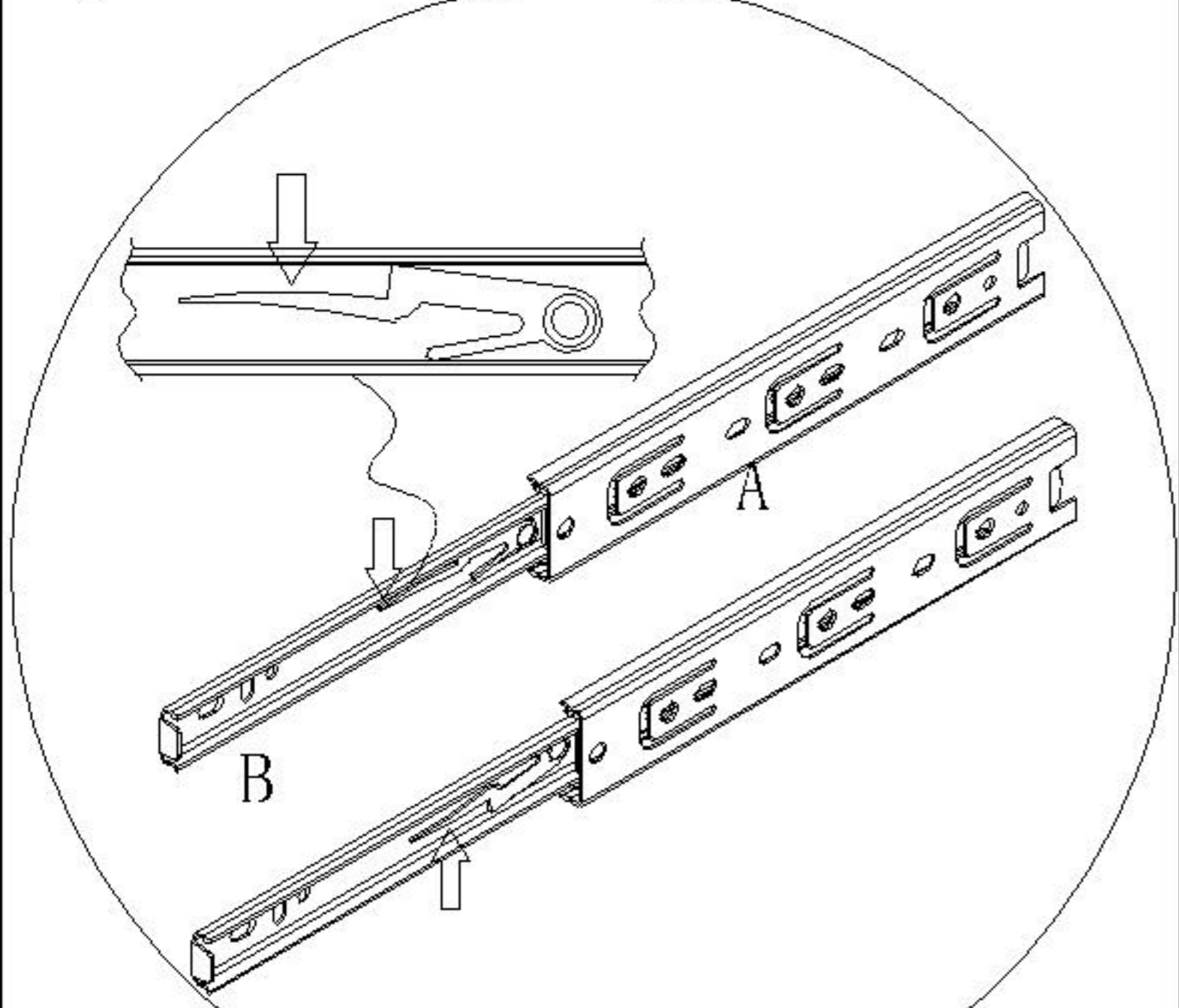


4

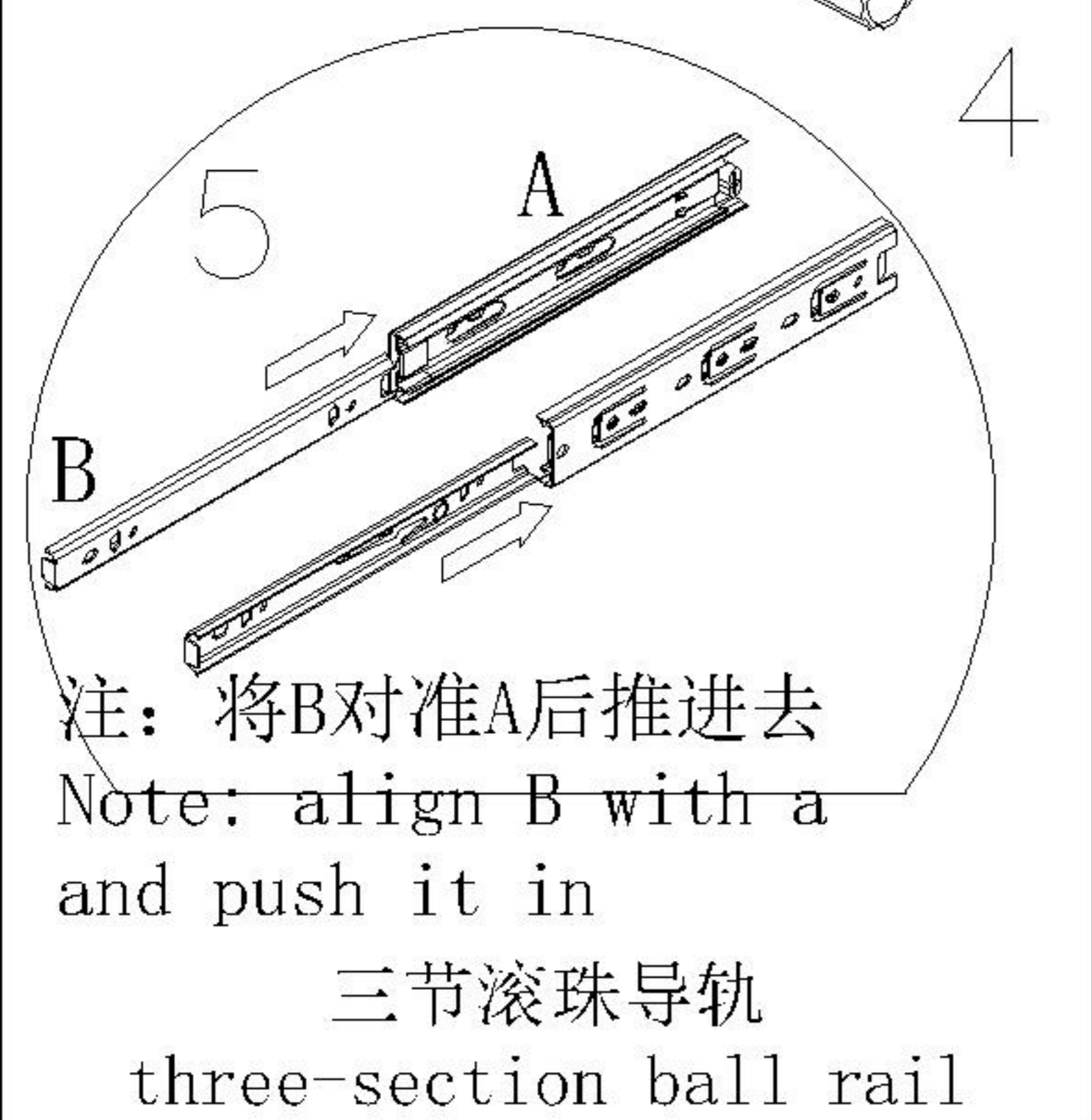
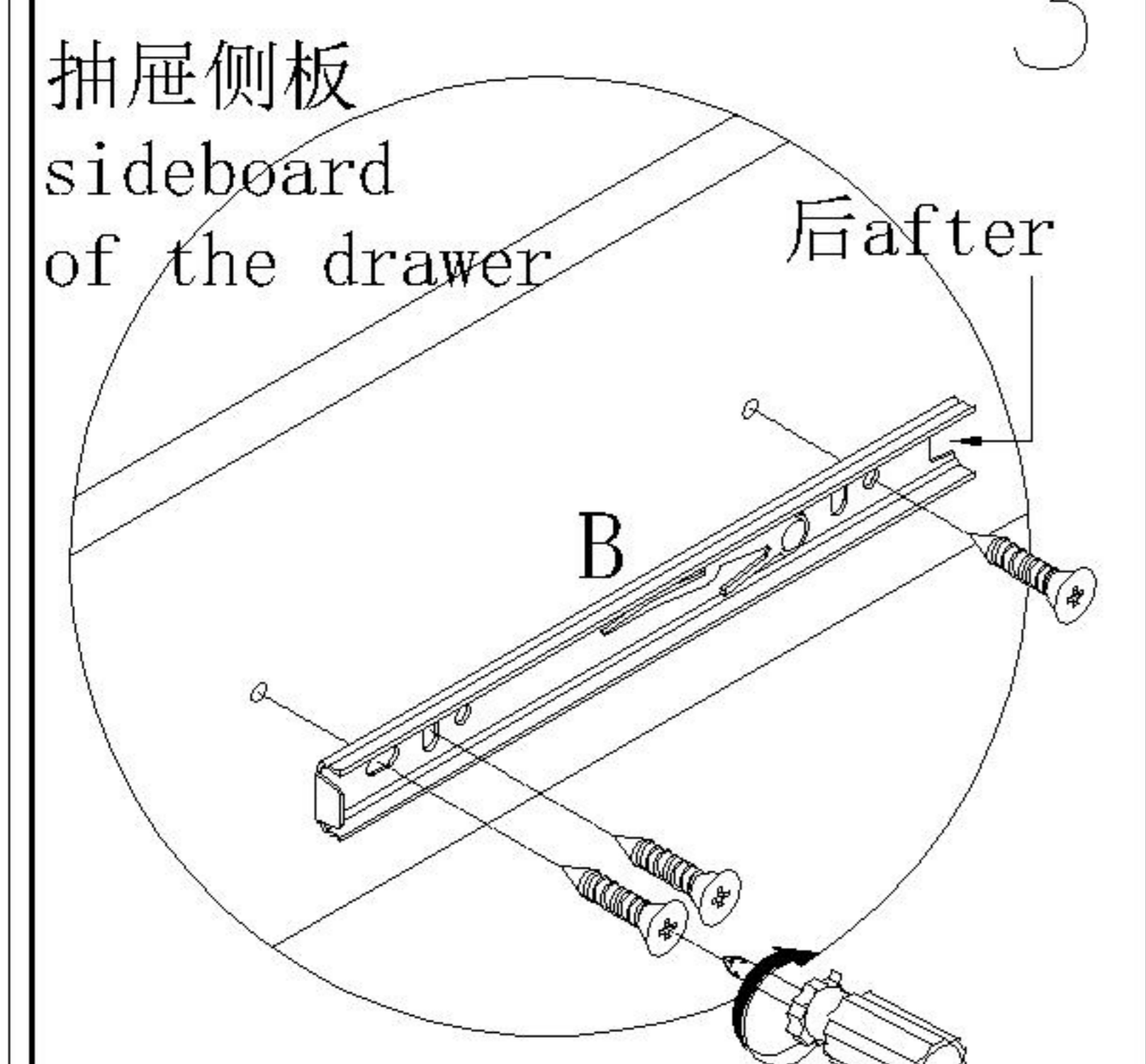
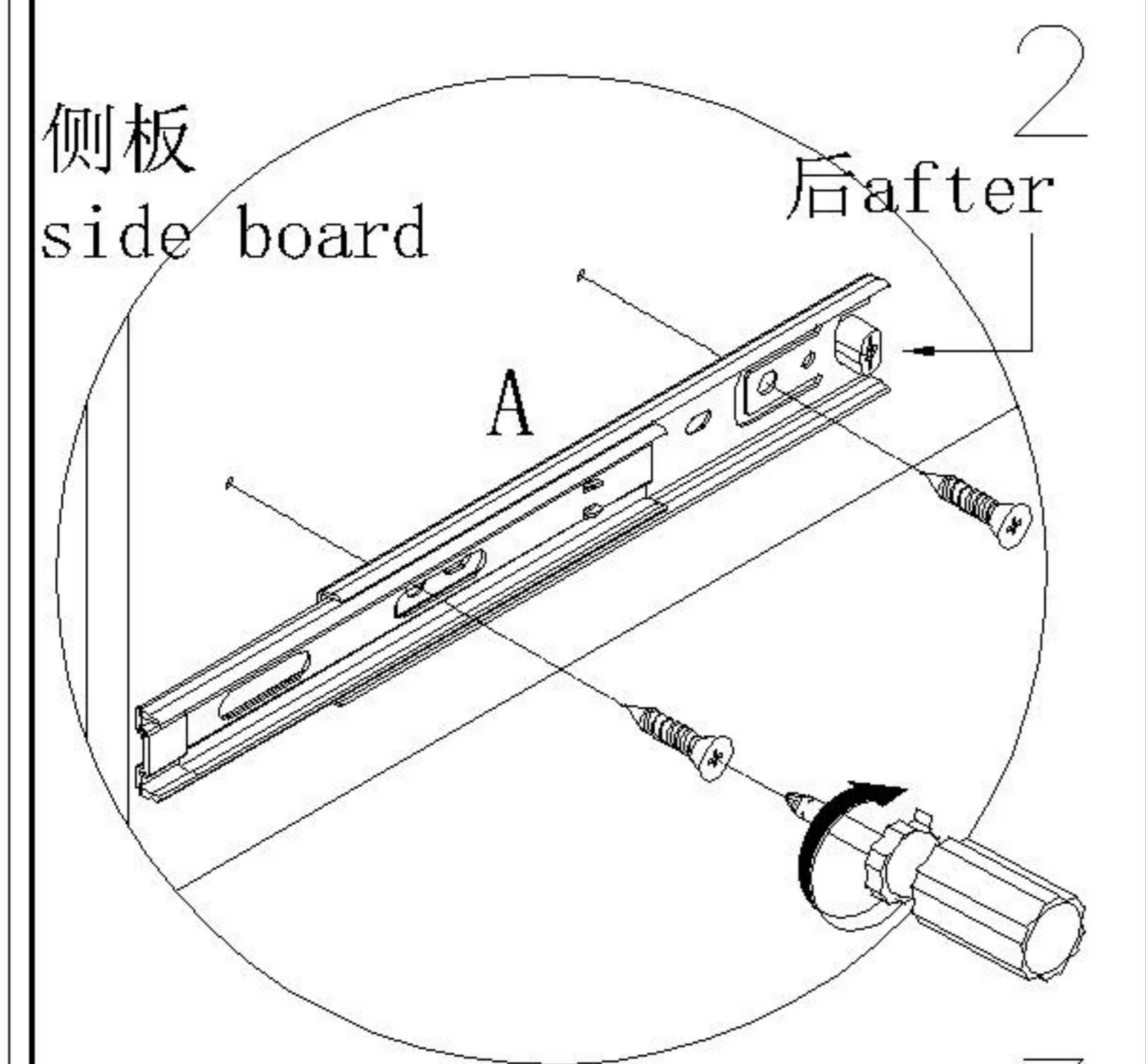
T02V-A

安装方法/
Installation method

阀门开关(下压为开)
Valve switch
(press down to open)



注: 先将A与B拆下来
Note: remove a and B first

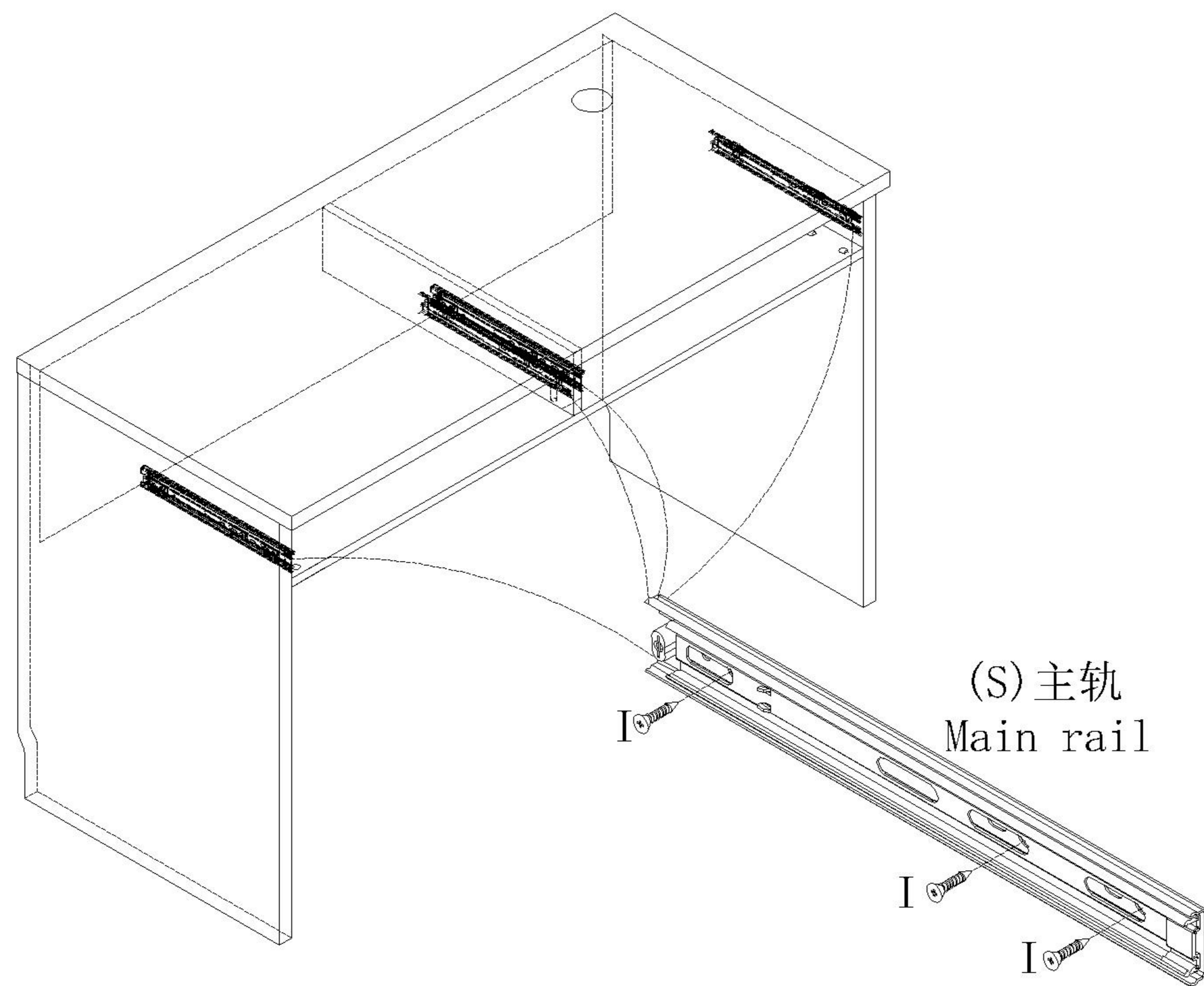
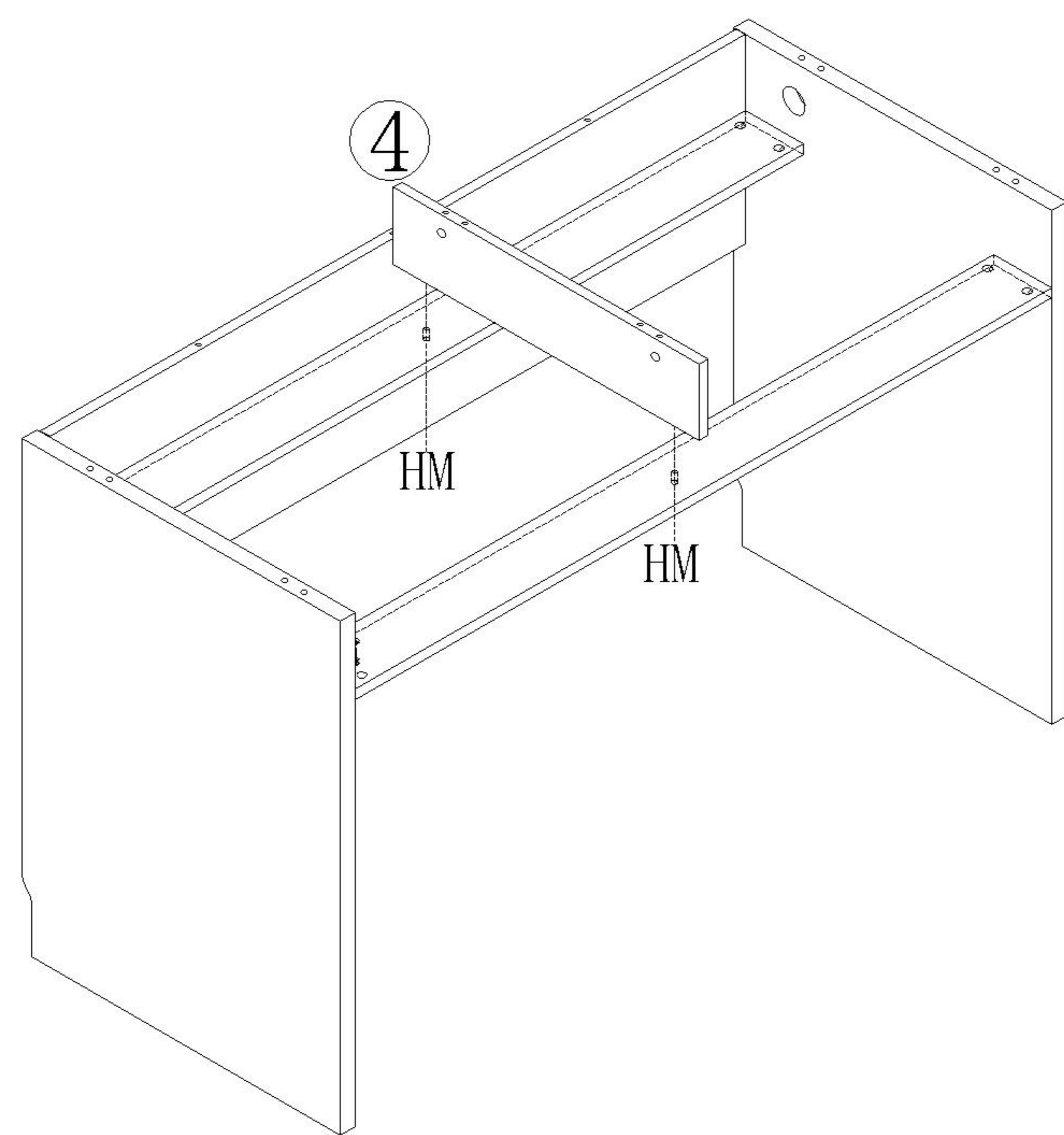


注: 将B对准A后推进去
Note: align B with a and push it in

三节滚珠导轨
three-section ball rail

- (H)*1
- (M)*2

- (I)*12
- (S)*2



(S) 主轨
Main rail

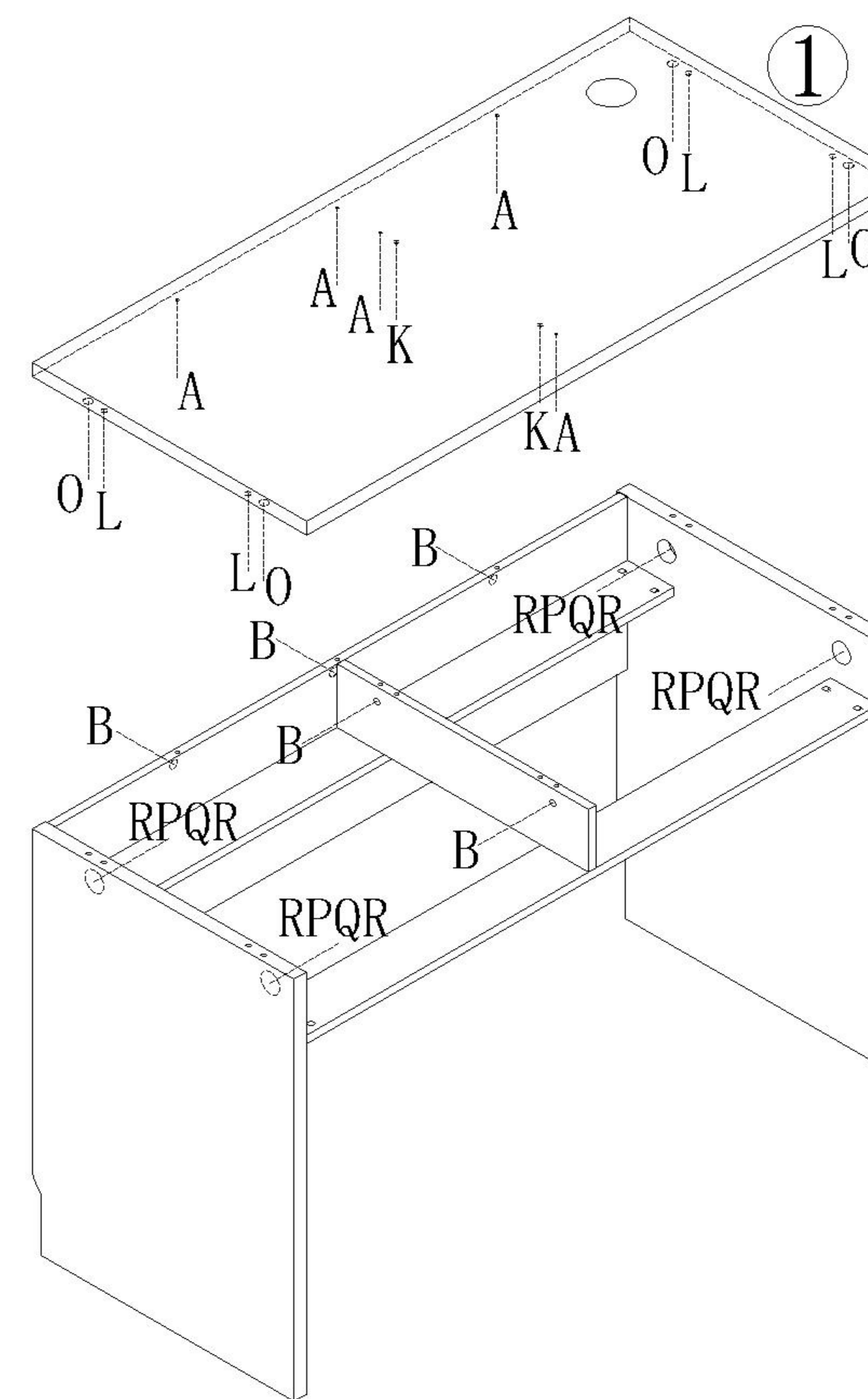
5

- (A)*5
- (B)*5
- (K)*2
- (L)*4
- (G)*1
- (O)*4
- (P)*4
- (Q)*4
- (R)*4

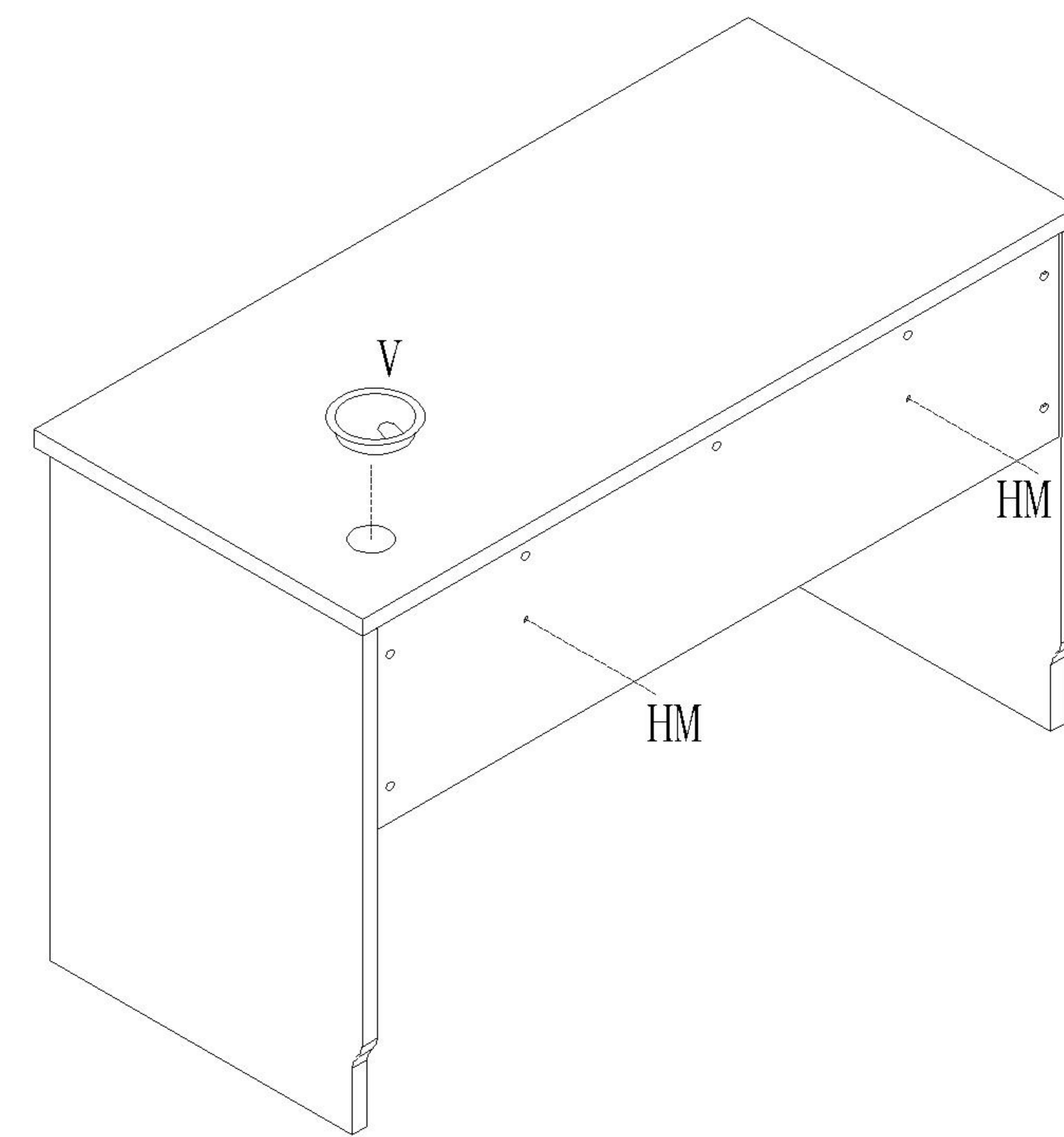
7

- (H)*1
- (M)*2
- (V)*1

6



8

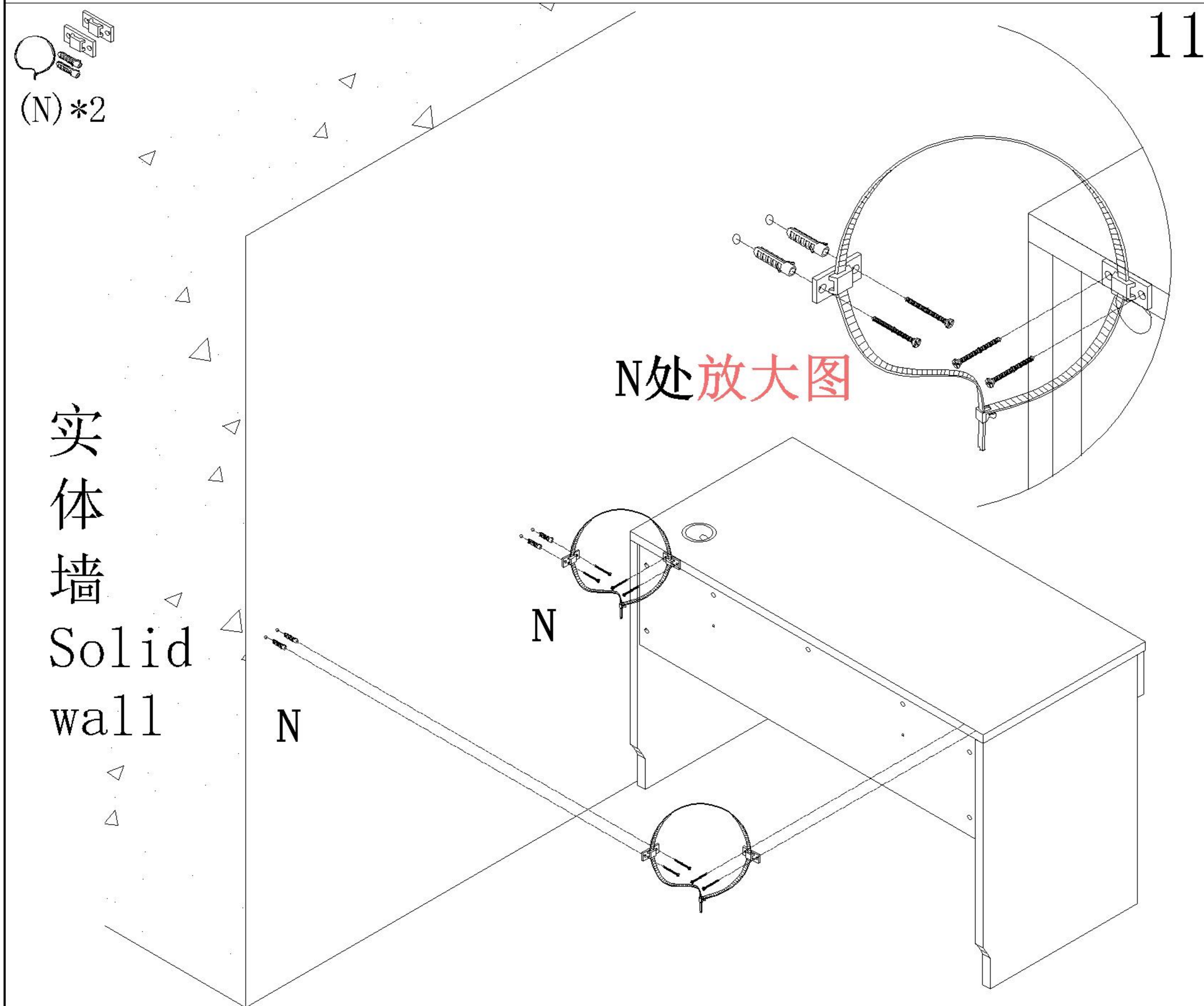
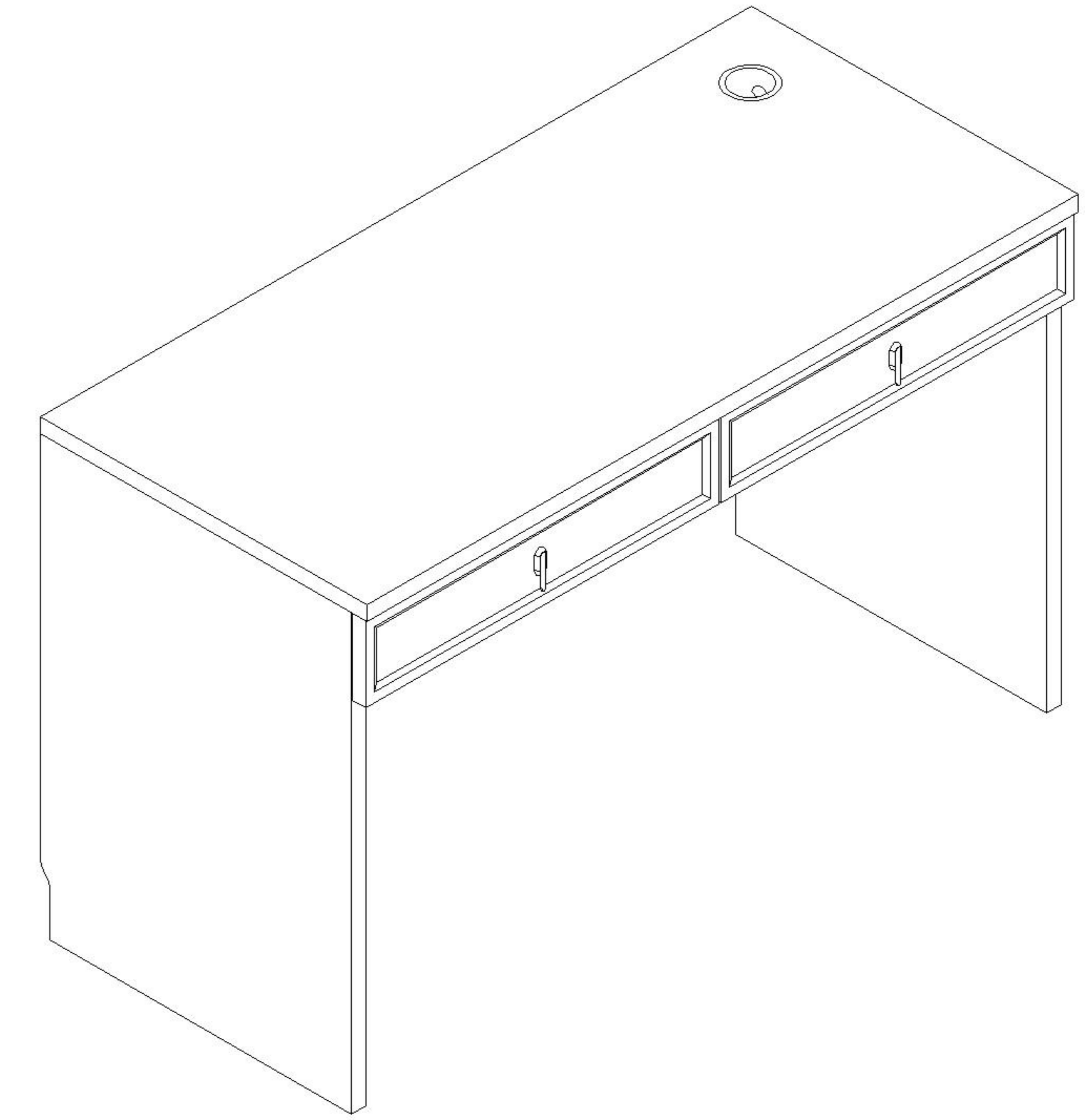
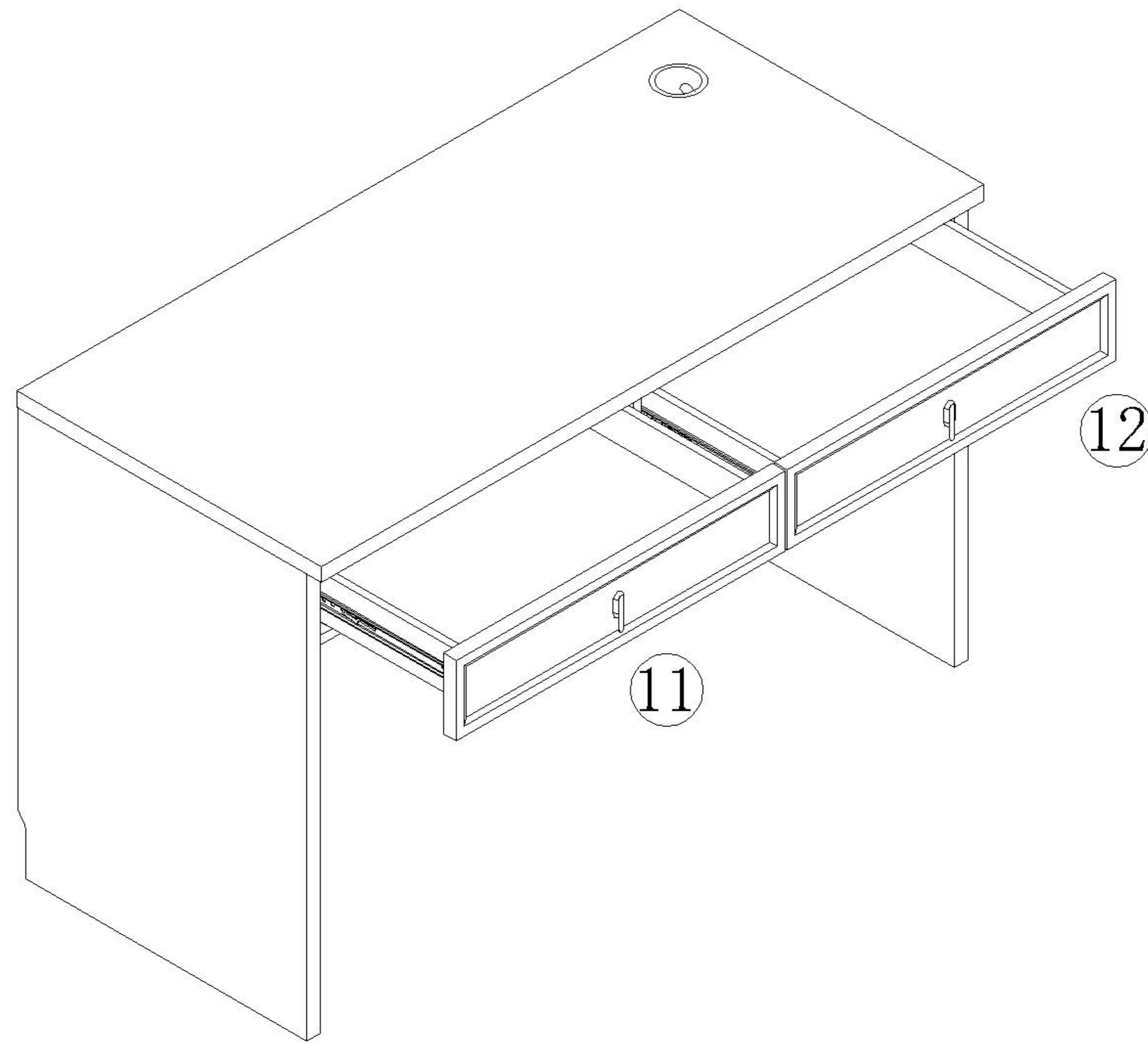


T02V-A

9

10

安装方法/
Installation method



11

12

