

LINSY 林氏家居

五金表/Hardware list

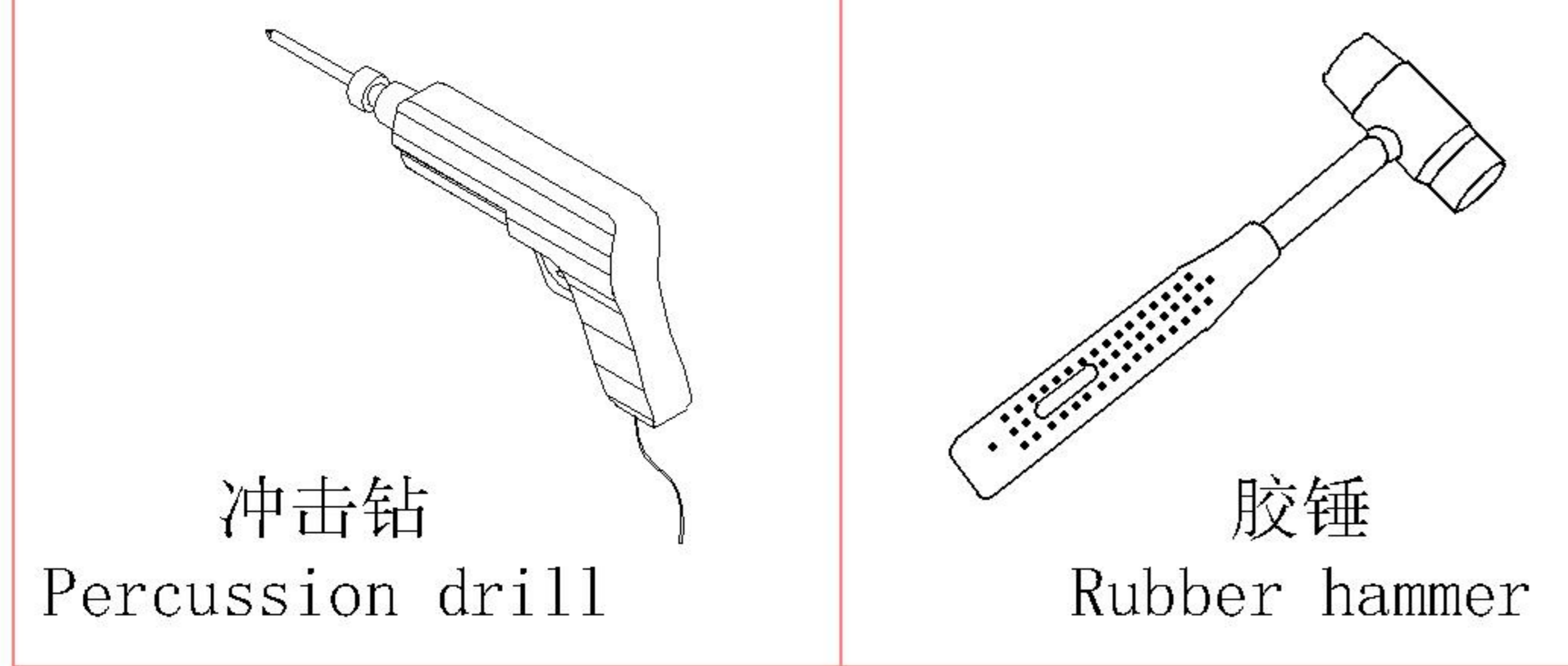
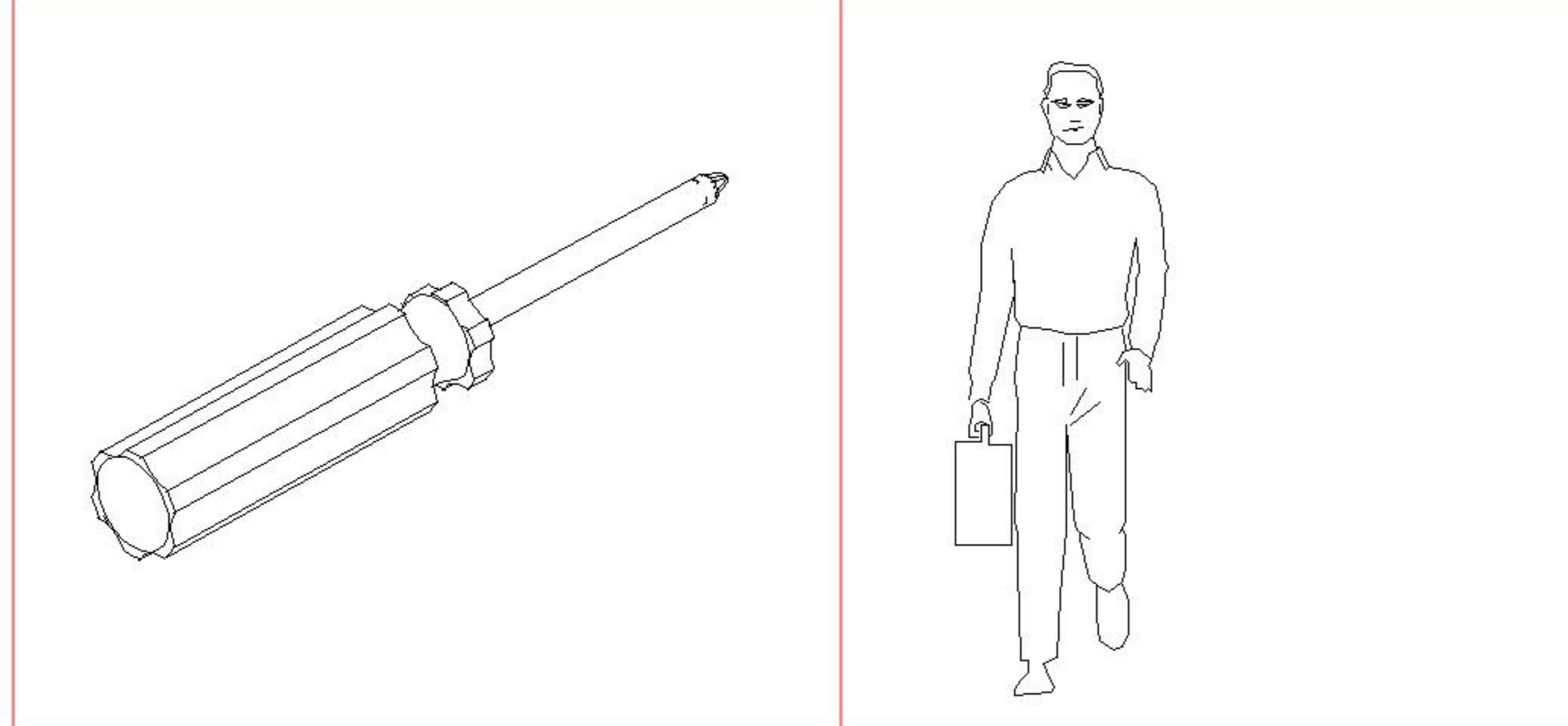
部件表/Parts List

安装示意图/Assembly Instruction

产品名称 Model NO. T011G-A

产品规格 Specification 1197*196*250 mm

安装工具 Tool 安装人数 Installer

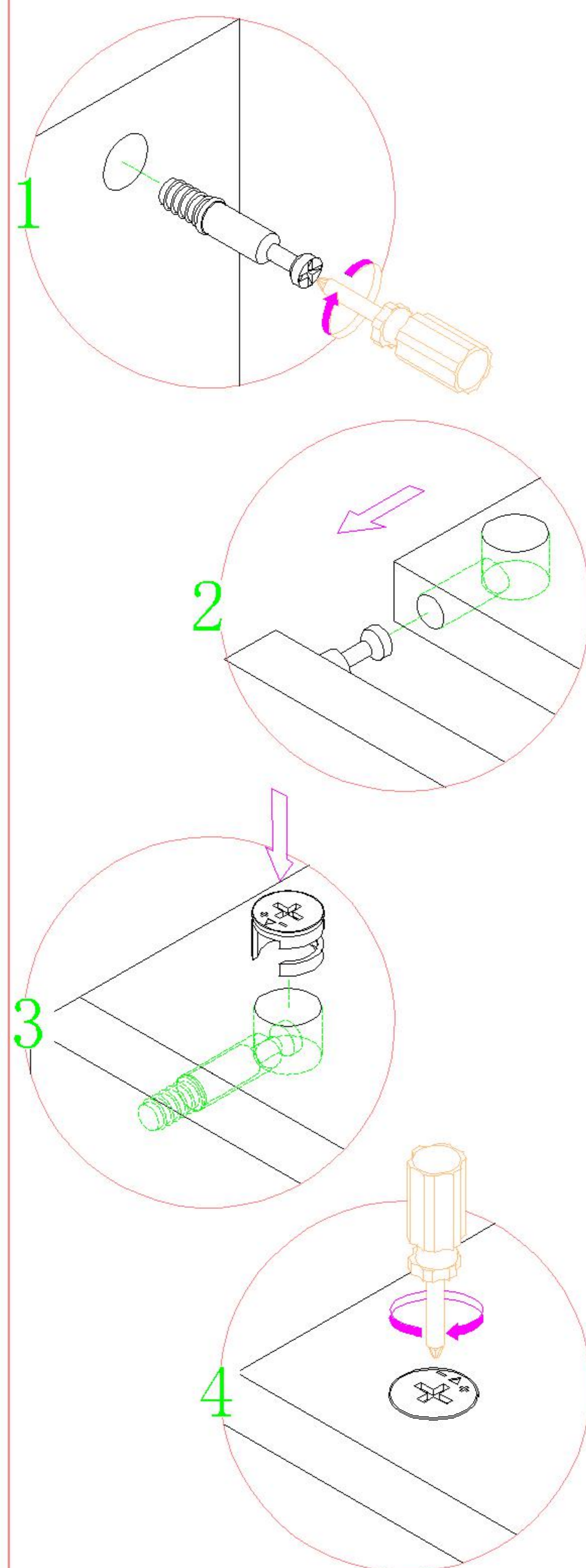


<p>(A) * 29 大三合一锁饼(15mm) Three-in-one large lock</p>	<p>(B) * 29 二合一螺杆(35mm) 2-in-1-screw</p>	<p>(C) * 21 木榫Ø8x30mm wood tenon</p>	<p>(D) * 9 自攻螺丝M4x25mm Self-tapping screw</p>
<p>(E) * 6 膨胀胶粒 Expanded colloidal particle</p>	<p>(F) * 6 自攻螺丝M4x40mm Self-tapping screw</p>		

编号NO.	名称Name	规格 (mm) Specification	数量QTY	材质Material
①	顶底板 Top base board	1197*196*15	2	三胺板Melamine
②	侧板 Side board	220*195*15	2	三胺板Melamine
③	中隔板 Middle clapboard	220*164*15	2	三胺板Melamine
④	背板 Back board	1165*220*15	1	三胺板Melamine
⑤	挂条 Hanging board	216*58*15	6	三胺板Melamine

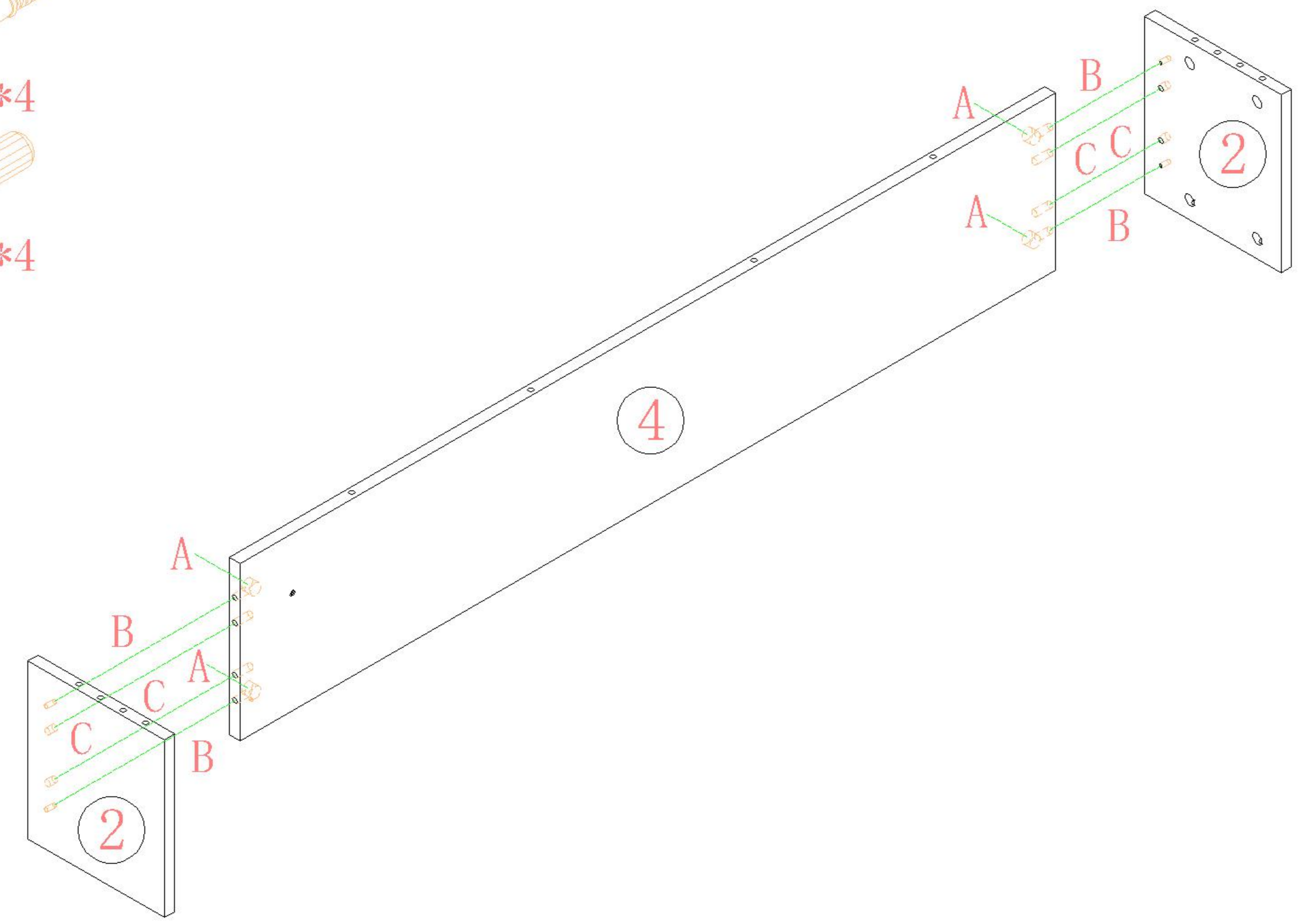
T011G-A

安装方法/
Installation method



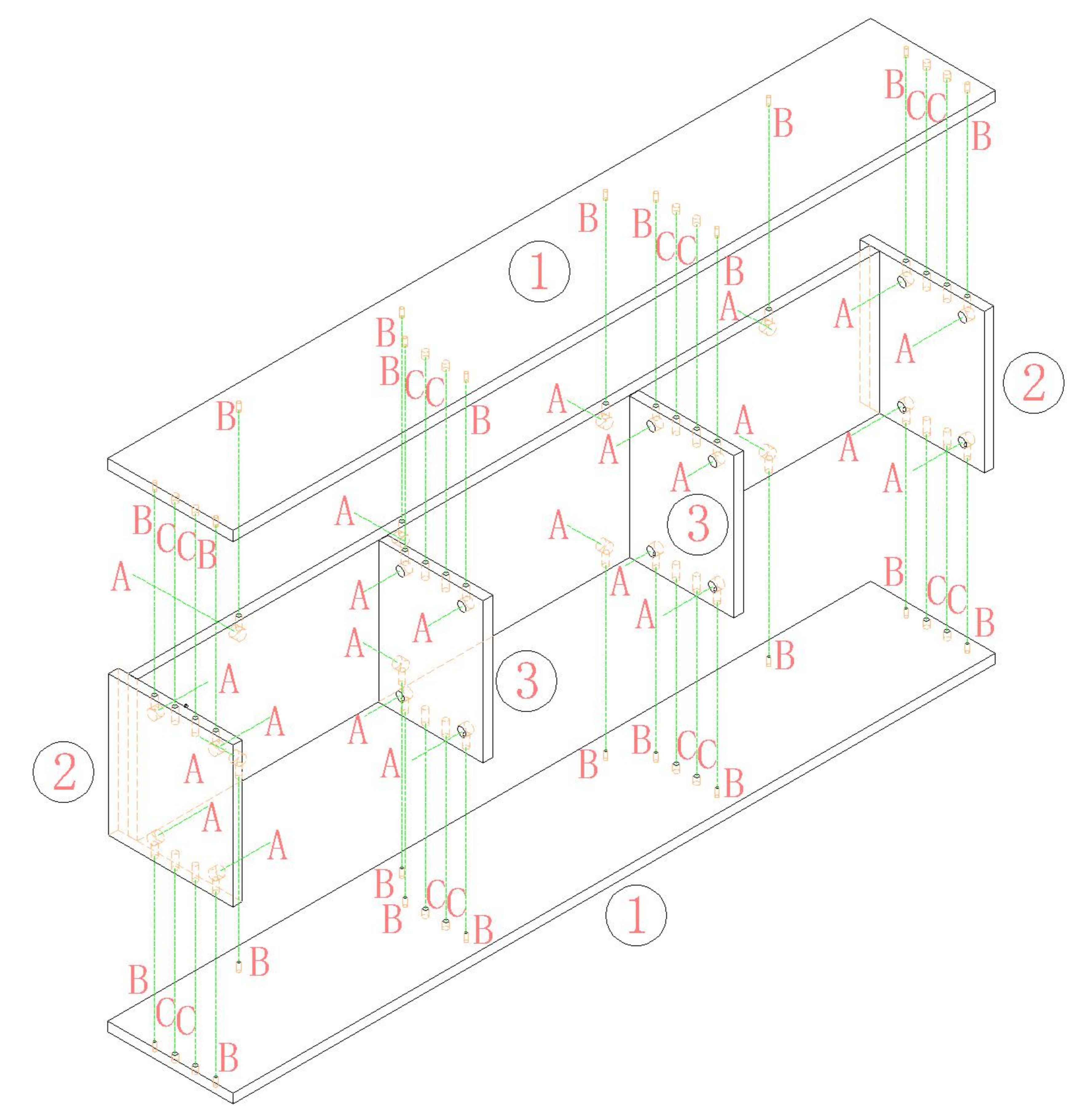
大二合一
two-in-one

- (A)*4
- (B)*4
- (C)*4



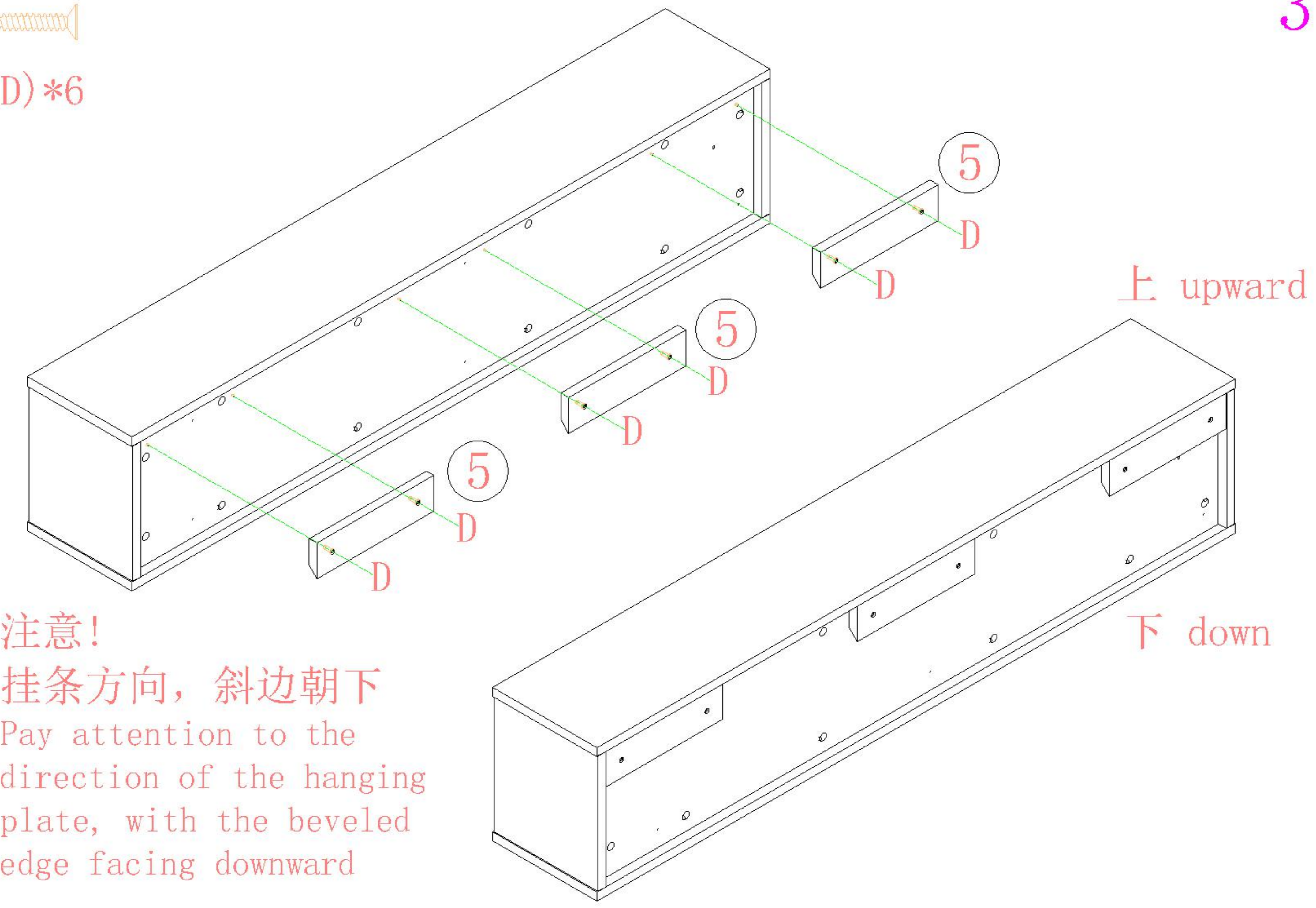
1

- (A)*24
- (B)*24
- (C)*16



2

- (D)*6



3

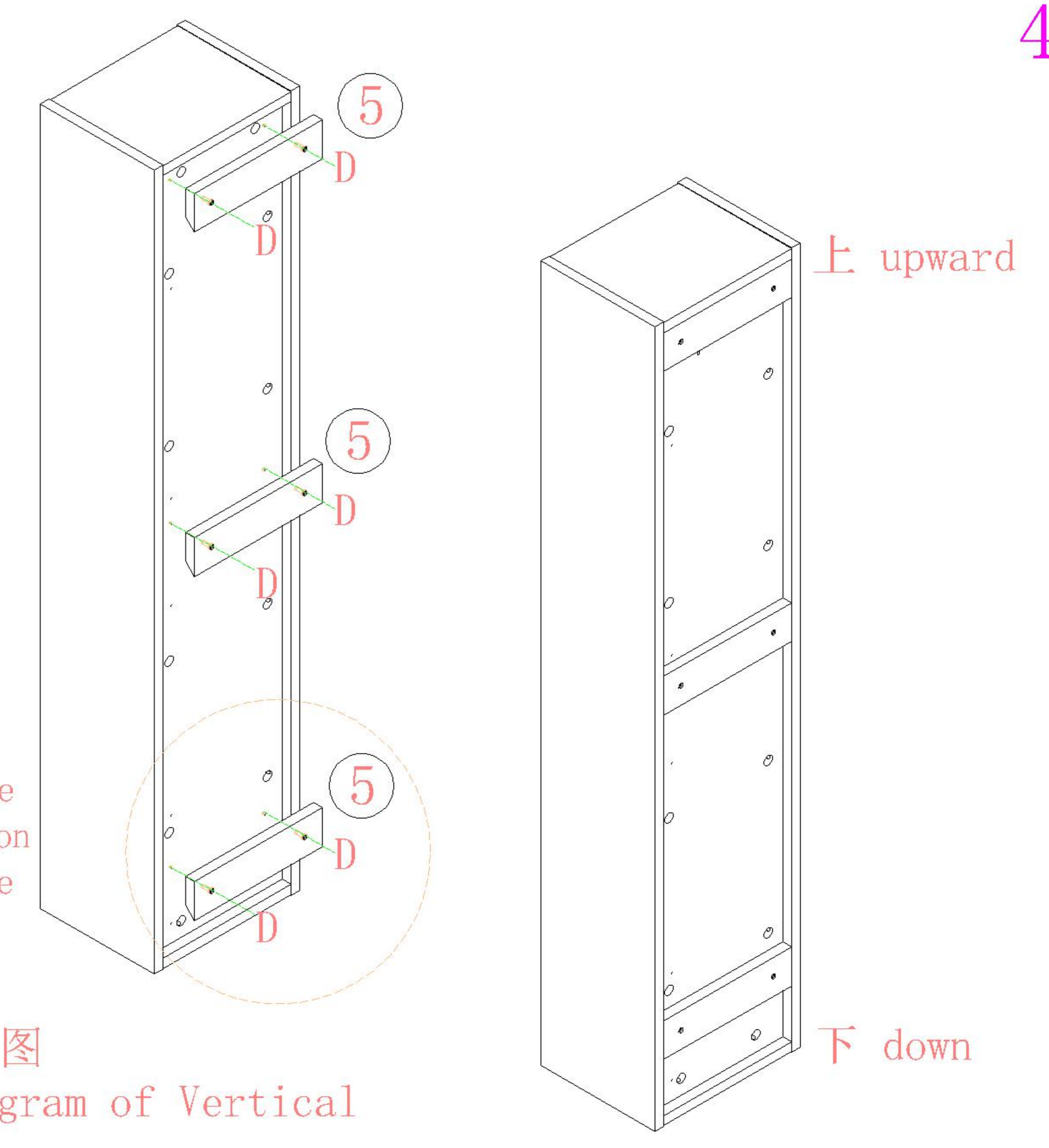
注意!
挂条方向, 斜边朝下
Pay attention to the
direction of the hanging
plate, with the beveled
edge facing downward

水平摆放安装示意图
Installation Diagram of Horizontal
Arrangement

- (D)*6

注意!
挂条安装位置
Pay attention to the
installation position
of the hanging plate

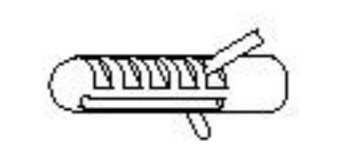
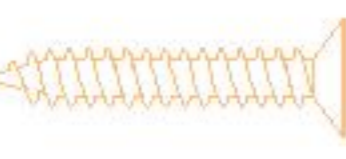
垂直摆放安装示意图
Installation Diagram of Vertical
Placement

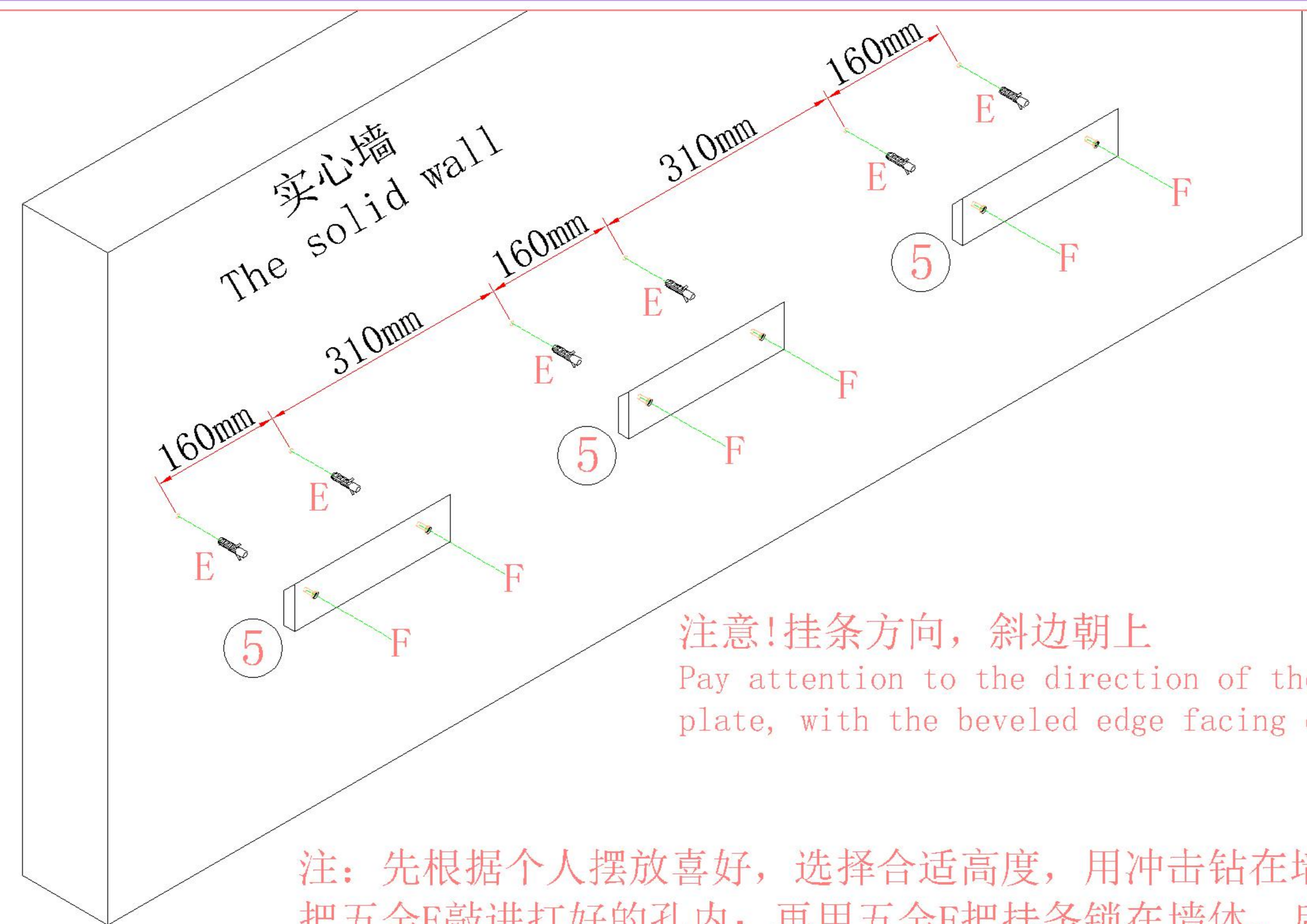


4

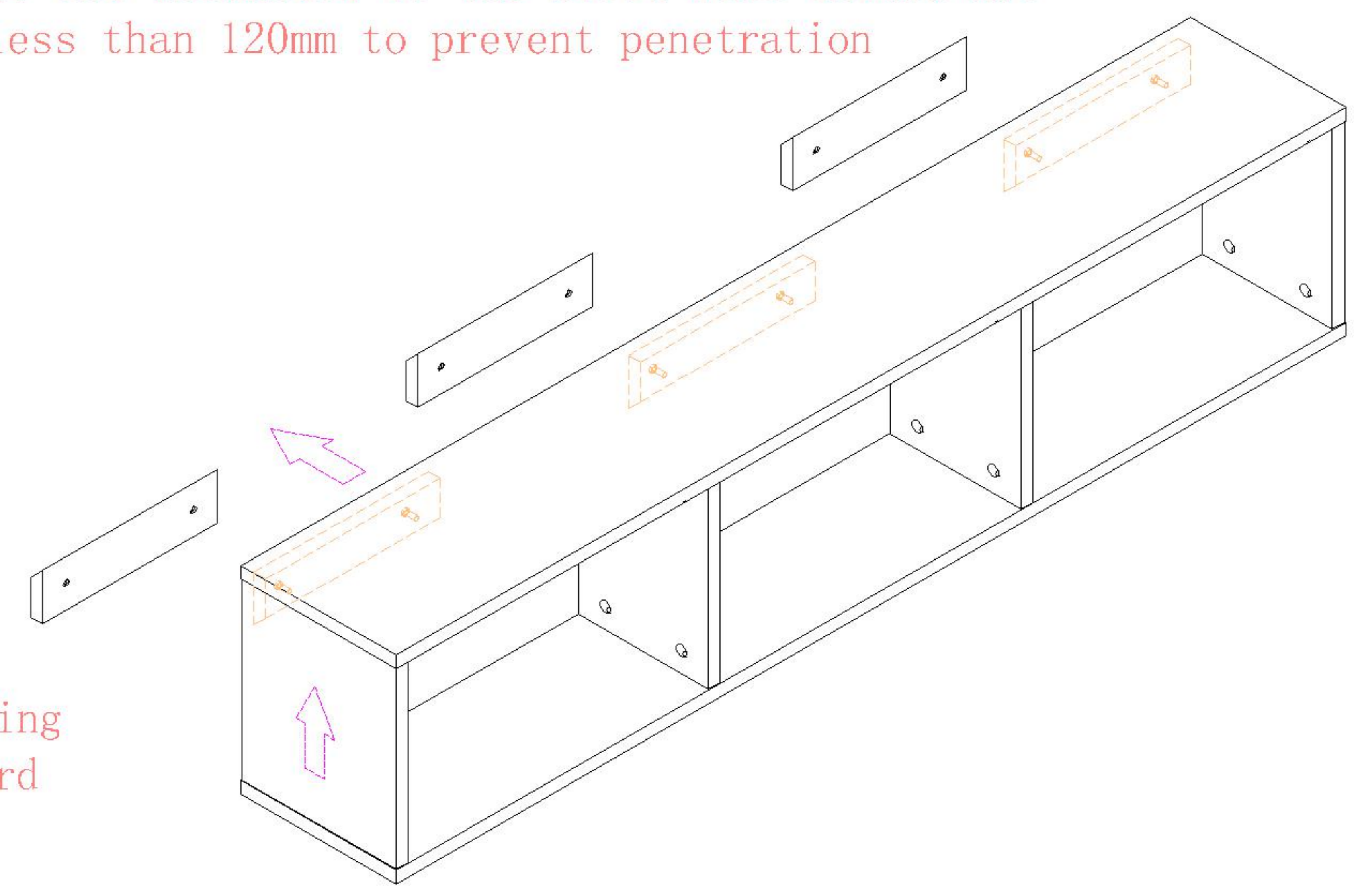
T011G-A

安装方法/
Installation method

-  (E)*6
-  (F)*6

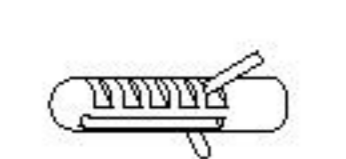
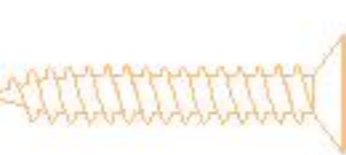



注意：实心墙厚度应不少于120mm，谨防打穿
 Note: The thickness of the solid wall should not be less than 120mm to prevent penetration

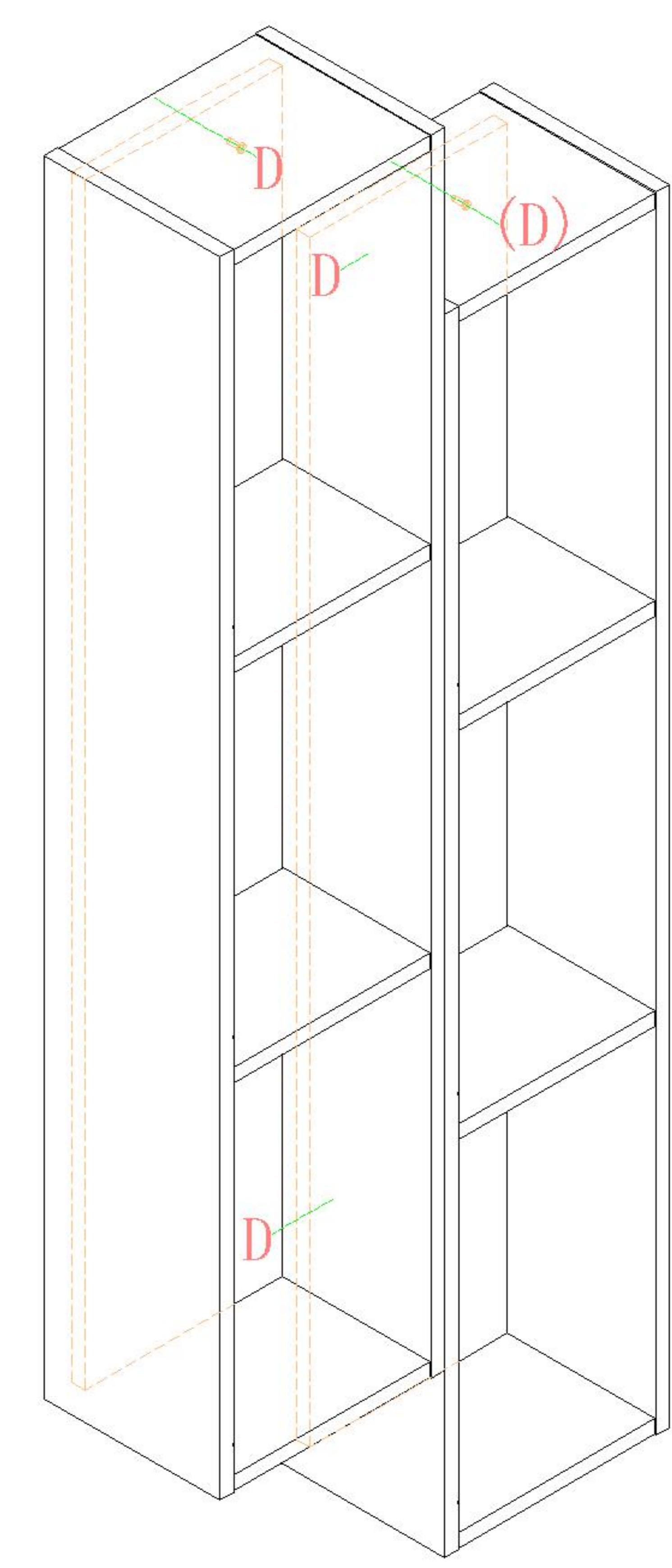
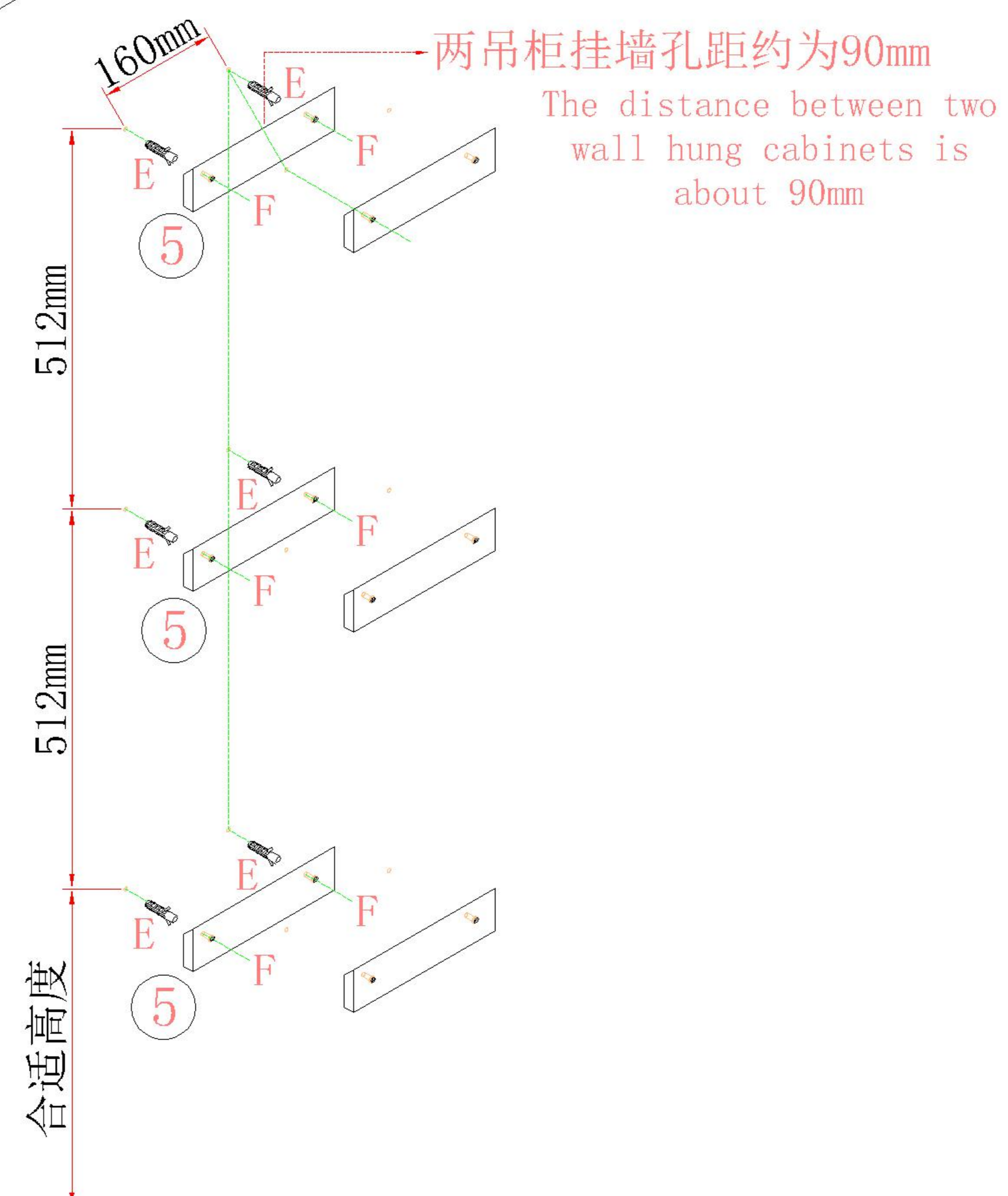


注意！挂条方向，斜边朝上
 Pay attention to the direction of the hanging plate, with the beveled edge facing downward

注：先根据个人摆放喜好，选择合适高度，用冲击钻在墙体同一水平位置打 $\phi 8*35\text{mm}$ 孔（孔之间安装距离如图所示）把五金E敲进打好的孔内；再用五金F把挂条锁在墙体，后把柜子挂上。
 Note: Firstly, according to personal preference, select a suitable height, Punch $\phi 8*35\text{mm}$ holes at the same horizontal position of the wall with the impact drill, (the installation distance between the holes is shown in the figure) to knock hardware E into the drilled holes; Then use hardware F to lock the hanging plate on the wall, and then hang the cabinet.

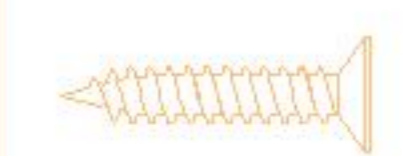
-  (E)*6
-  (F)*6
-  (D)*3

实心墙
The solid wall



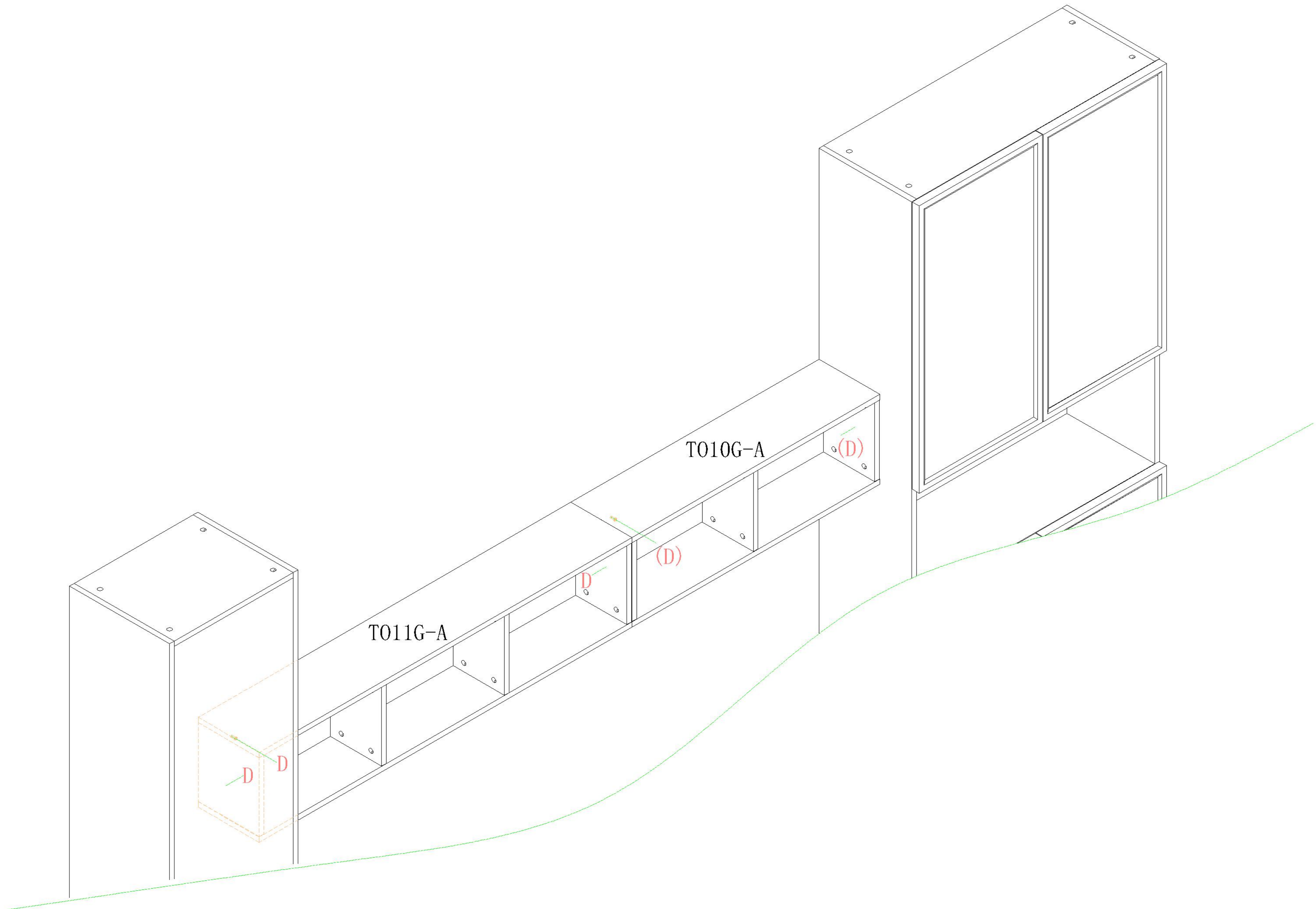
注意：安装完成后，需用五金D在如图所示位置与组合柜连接，谨防柜身发生掉落！
 Note: After installation, hardware D shall be used to connect with the combination cabinet at the position shown in the figure to prevent the cabinet body from falling!

T011G-A



(D)*3

安装方法/
Installation method



注意：安装完成后，需用五金D在如图所示位置与组合柜连接，谨防柜身发生掉落！
Note: After installation, hardware D shall be used to connect with the combination cabinet at the position shown in the figure to prevent the cabinet body from falling!