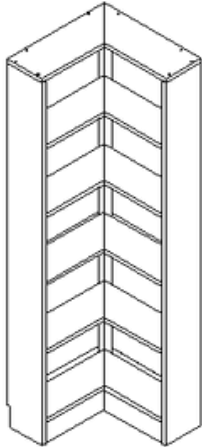


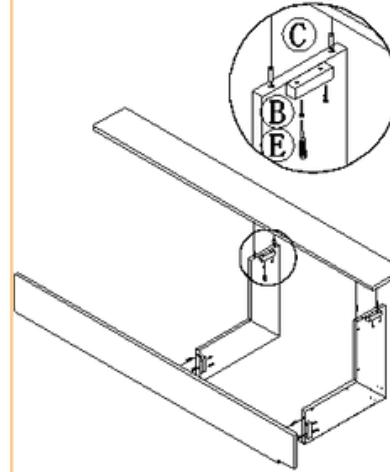
Assembly Instruction

Product Name: Solidwood Pittsburgh Corner Bookcase

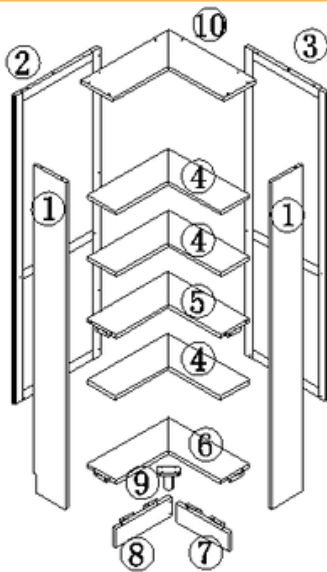
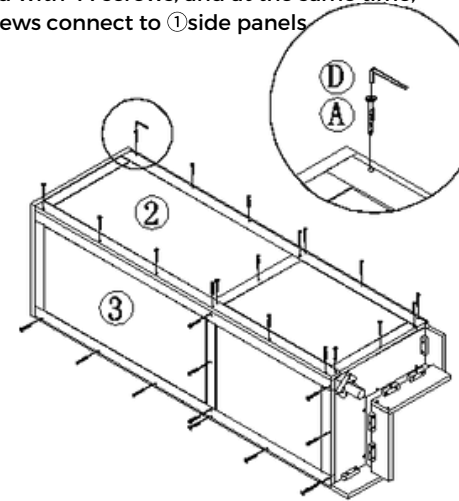
Completed Product Diagram



Step 1: Fastening of ⑤clapboards, ⑥bottom panels and ②back panels by "B" and "C"

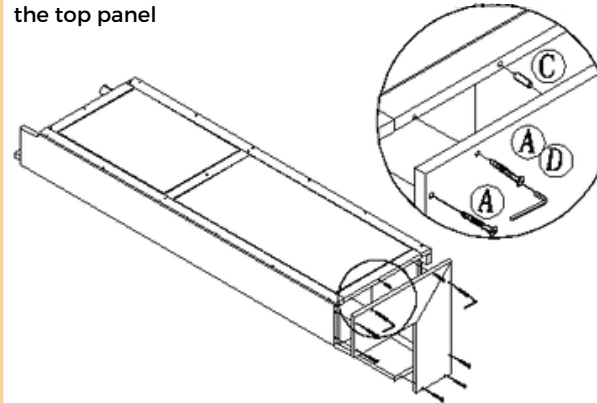


Step 2: ②back panel rests on ③back panel and is fixed with "A"screws, and at the same time, "A"screws connect to ①side panels

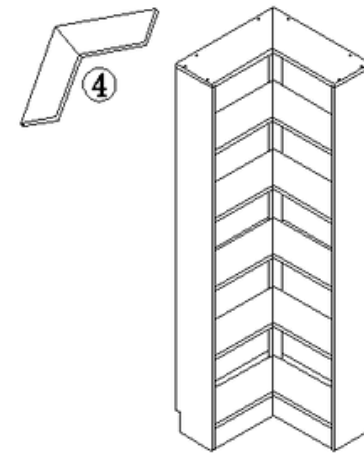


Hardware List:

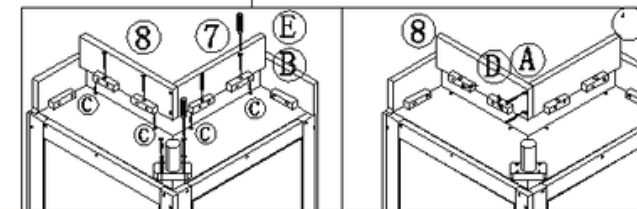
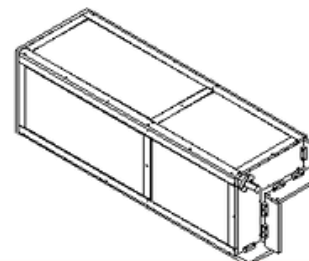
Step 3: Use C disk dowels and fix with "A"screws to install the top panel

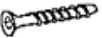
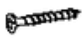



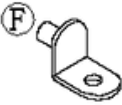


Step 4: Install F-shaped shelf, put it on the shelf supports



Step 3: Fix ⑦and ⑧bottom side panels with "A"screws and use "B"screws to connect ⑥bottom panel



| | | | | | |
|--|---|---|---|---|--|
| A | B | C | D | E | F |
|  |  |  |  |  |  |
| Inner Six Angle Screws M3*40=40 | M4*25 Tapping Screws=20 | M8*30 Disk Dowels=16 | L3=1 | Bring Your Own Screwdriver | Side Panel Support |