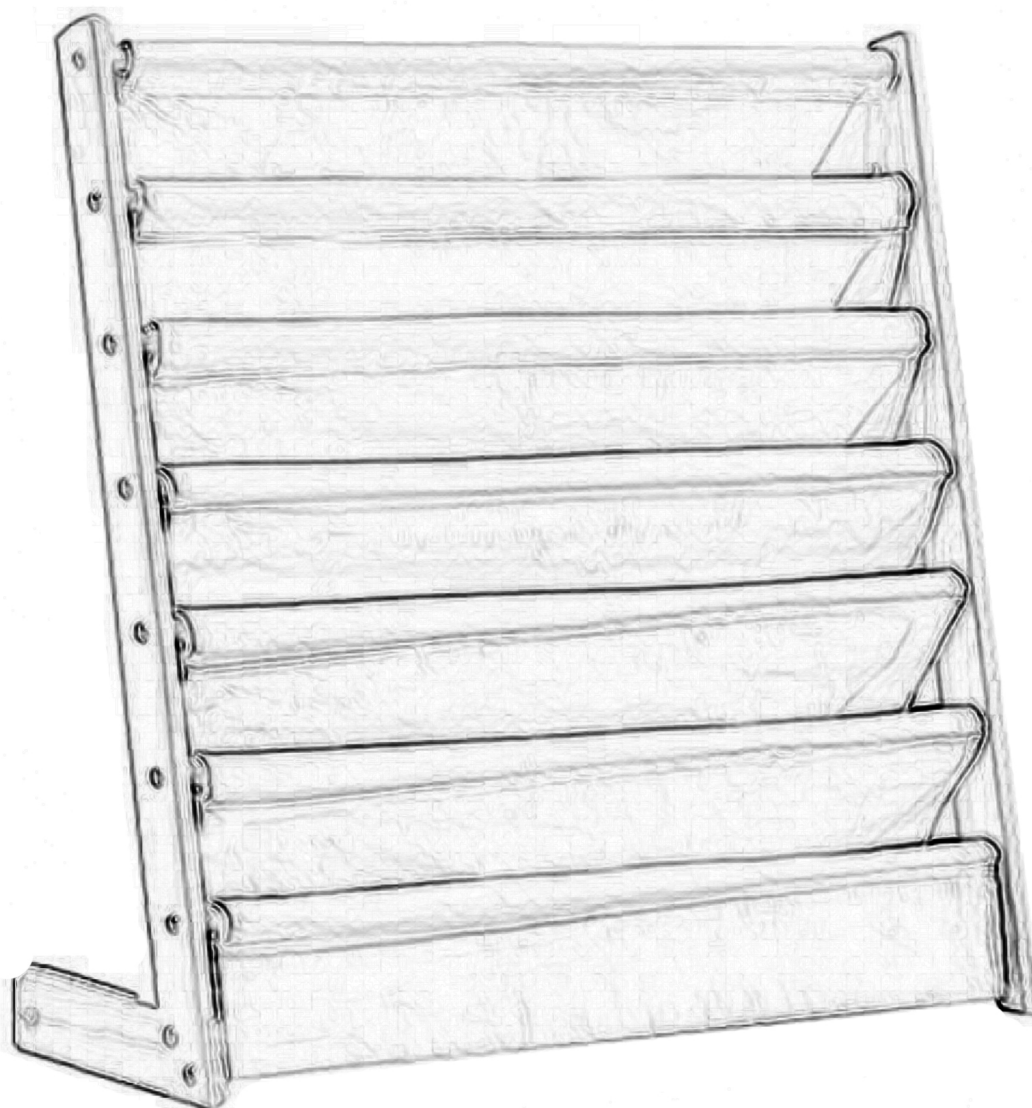


ALPAKA

Assembly Manual



UBS-Alpaka-CanvasBookShelf

ALPAKA

Assembly Manual



x 19



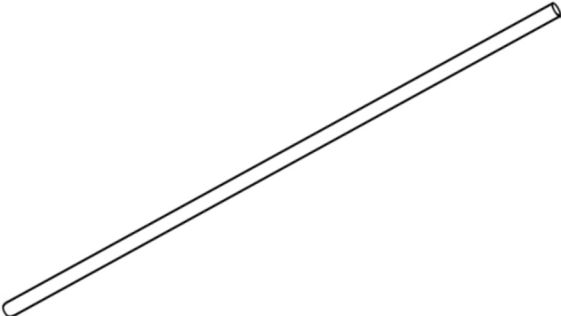
x 1



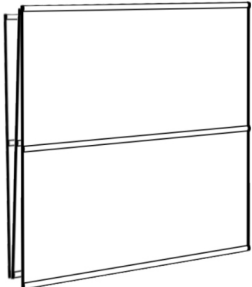
x 2



x 2



x 9



x 1



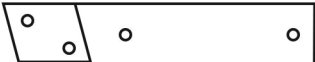
x 1



x 1



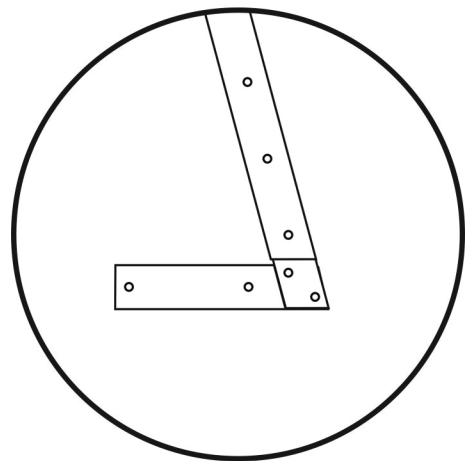
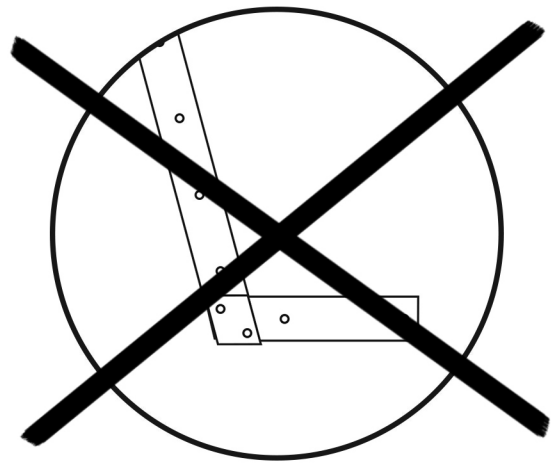
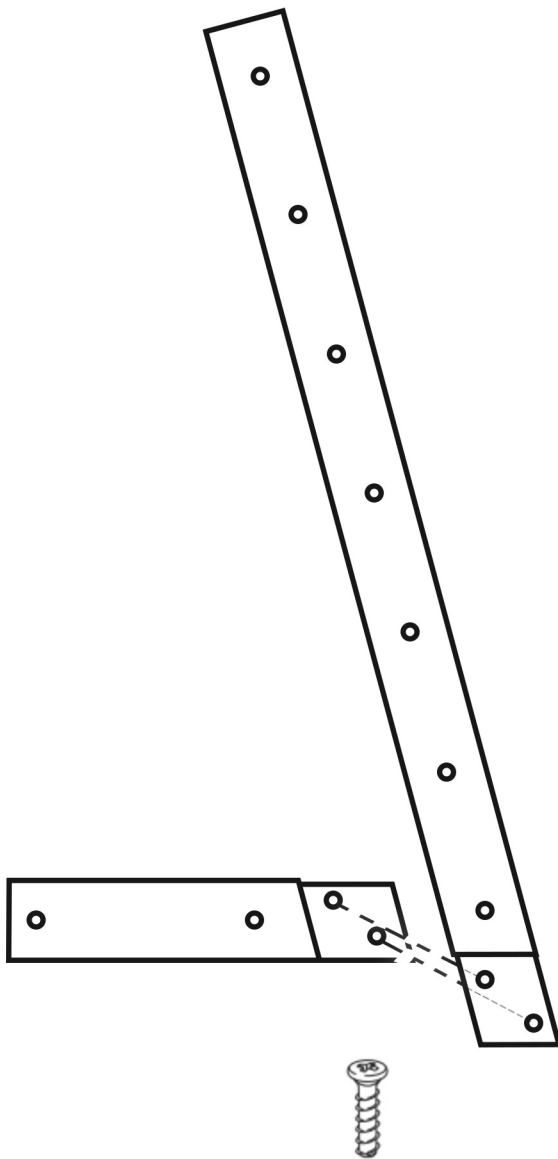
x 1



x 1

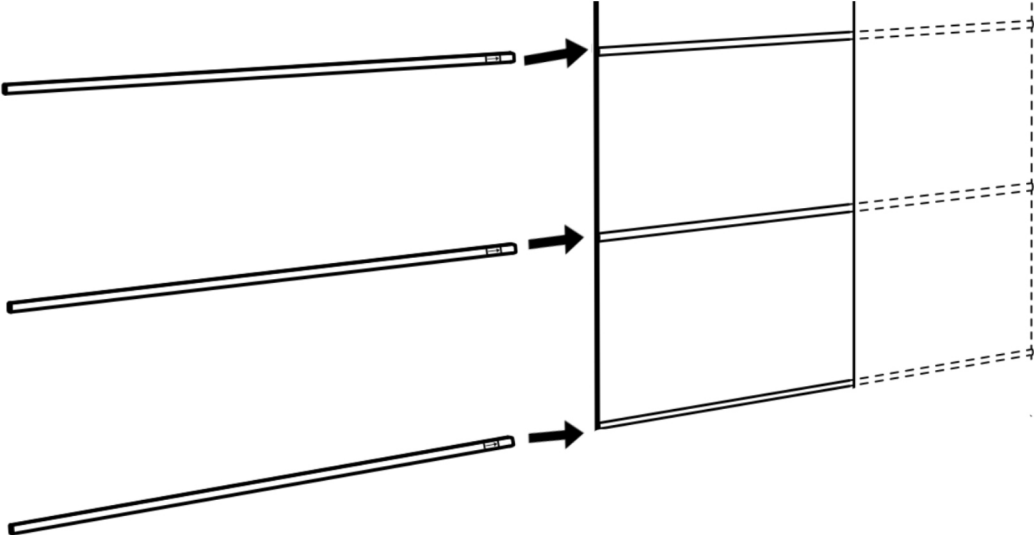
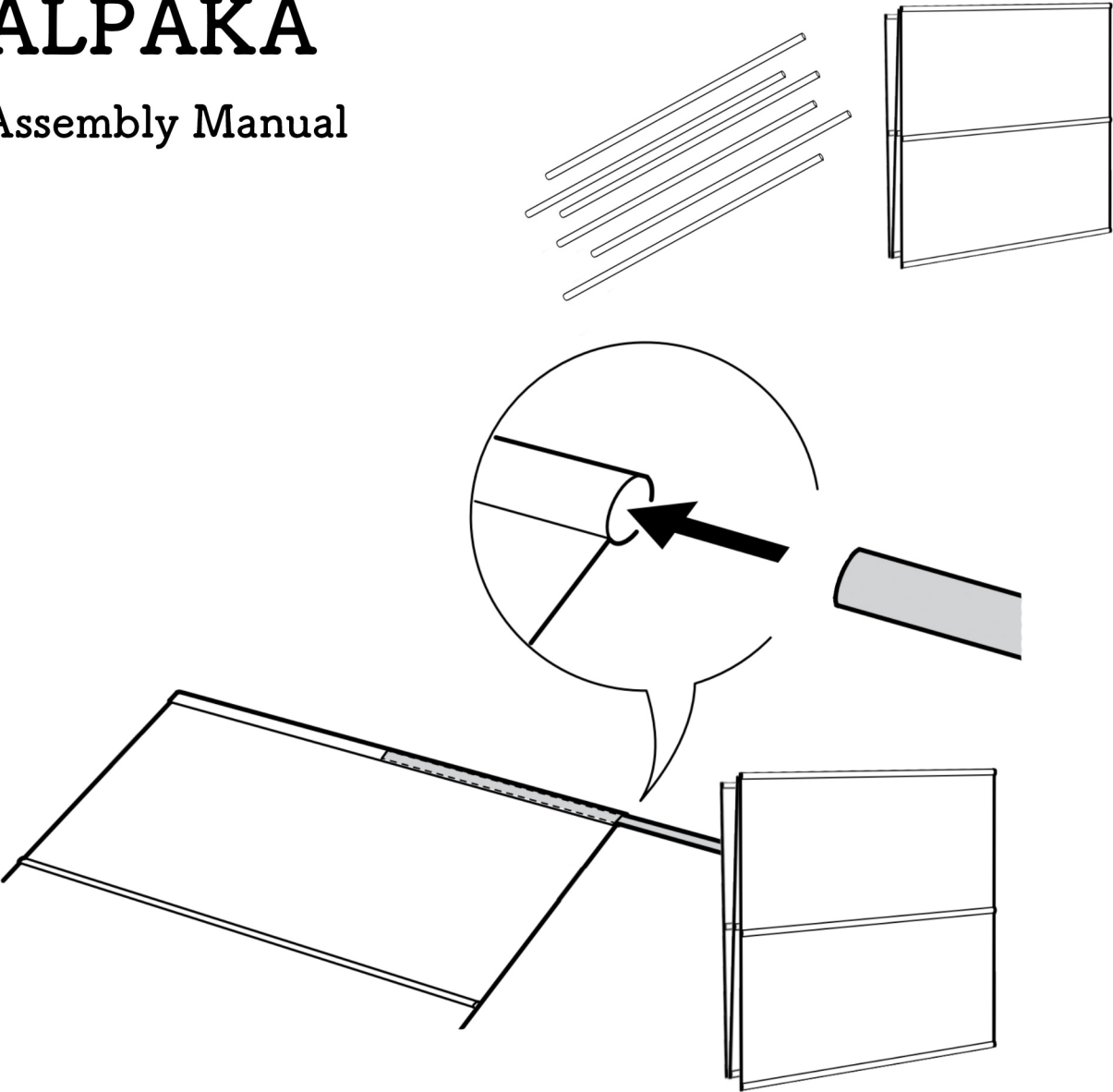
ALPAKA

Assembly Manual



ALPAKA

Assembly Manual



ALPAKA

Assembly Manual

