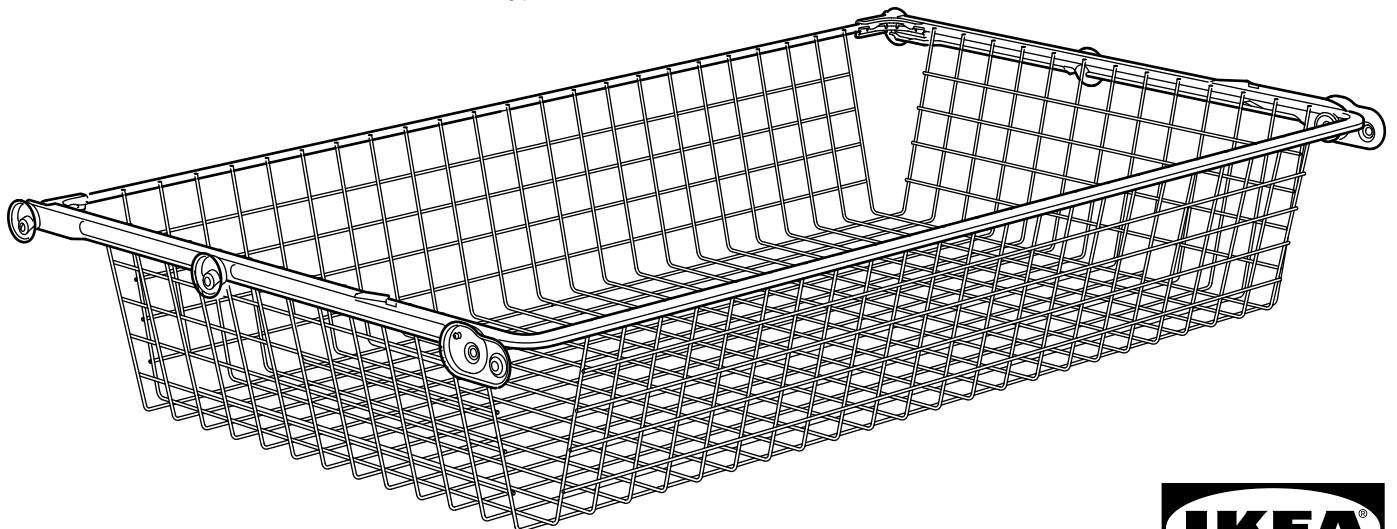
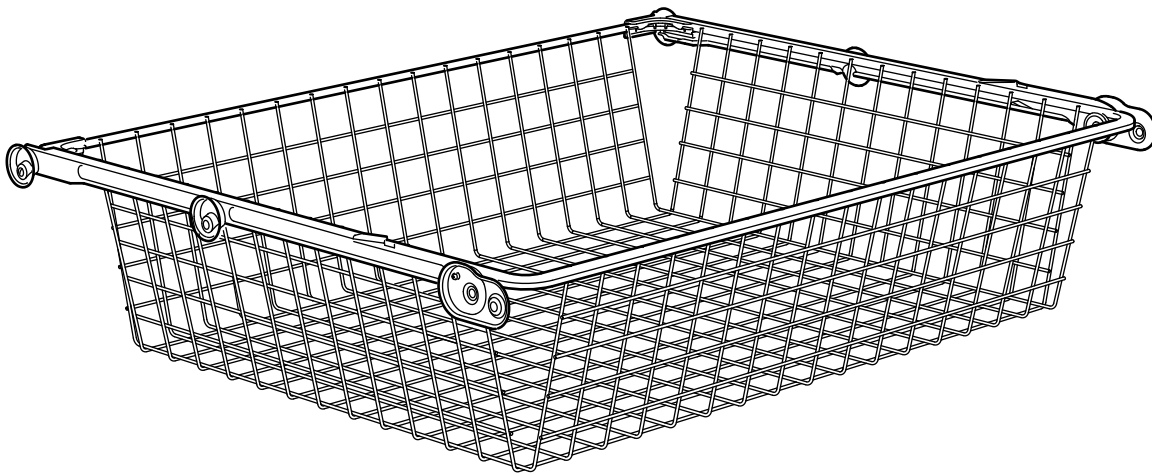
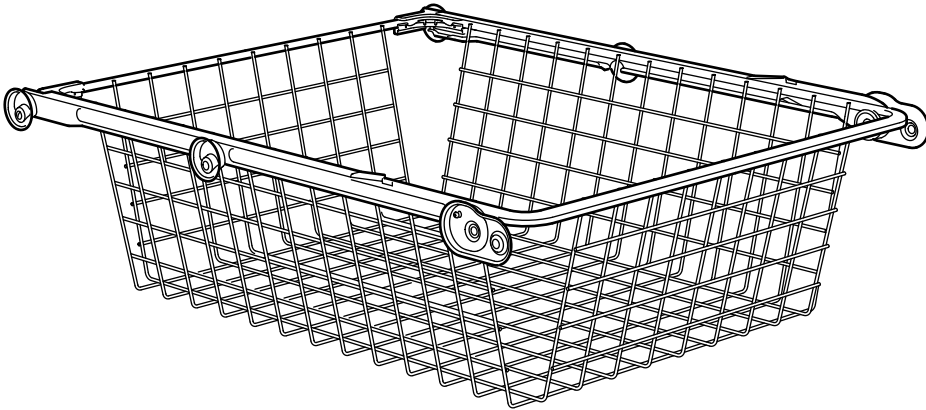
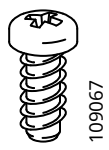
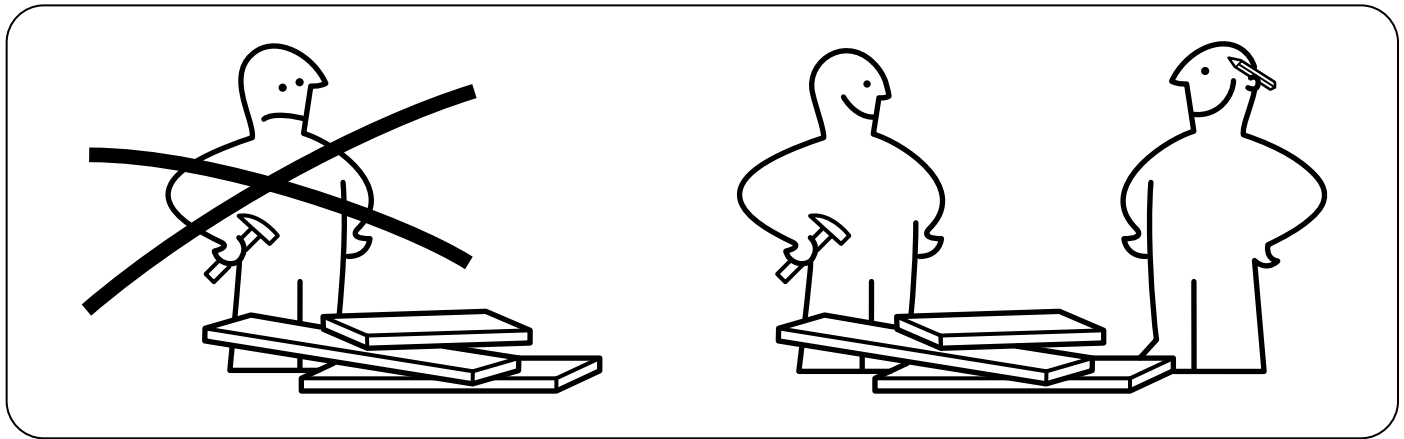
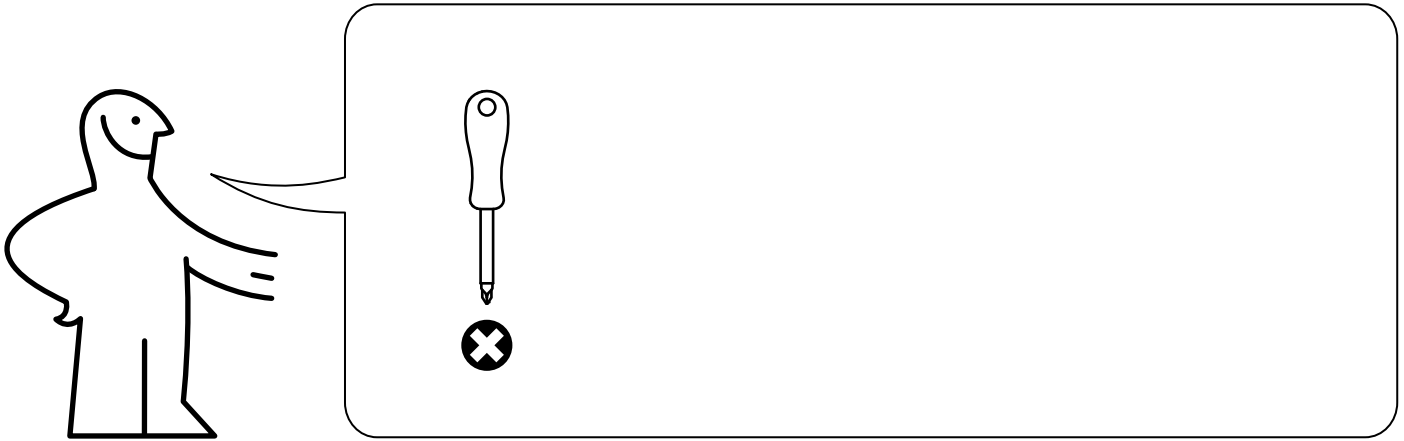


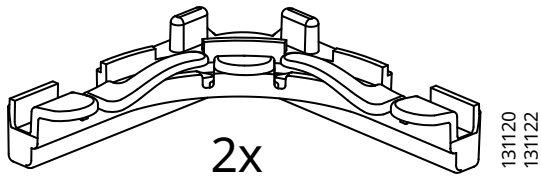
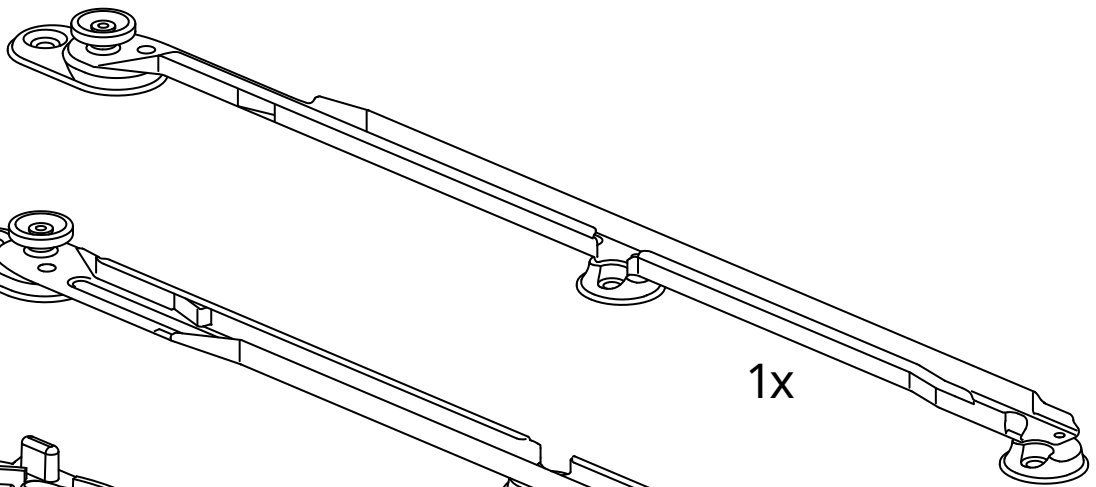
# KOMPLEMENT



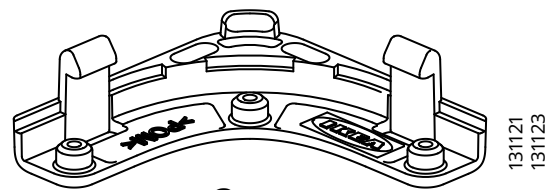
Design and Quality  
IKEA of Sweden



6x

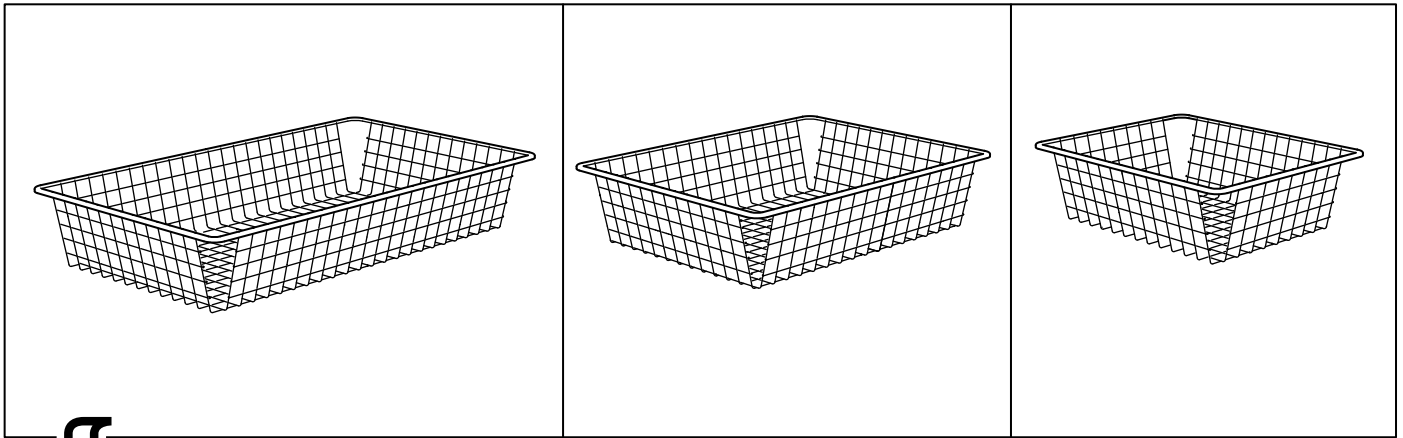


2x

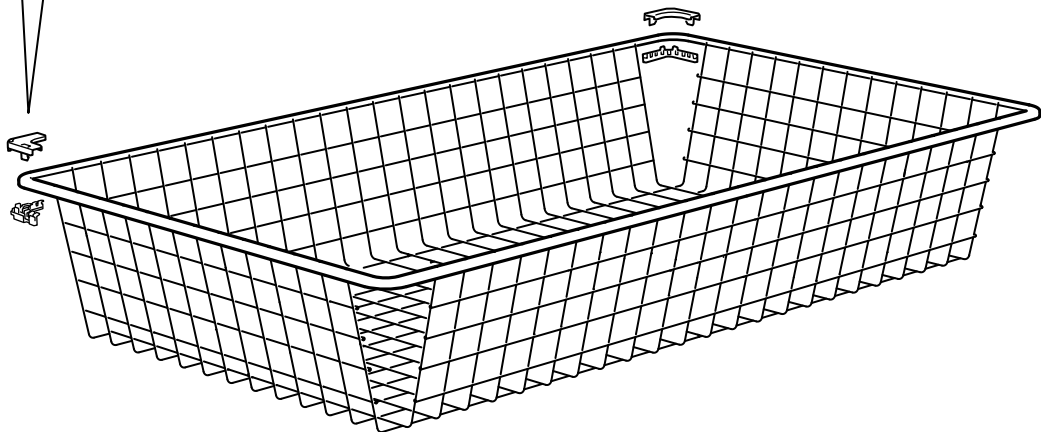
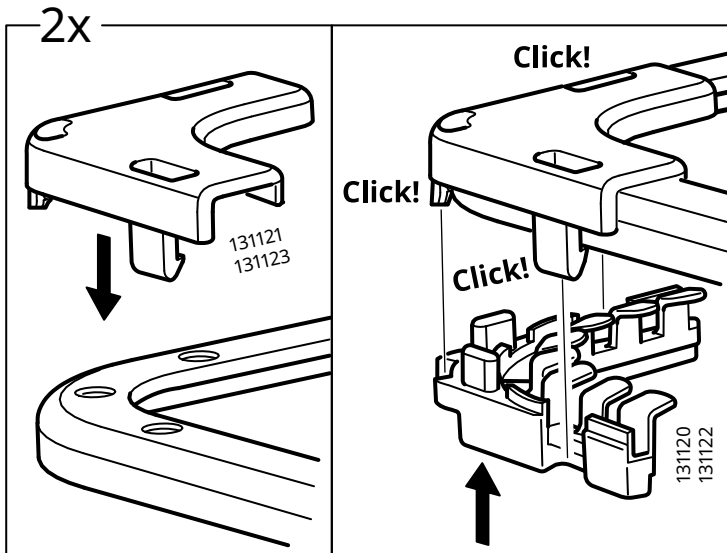


2x

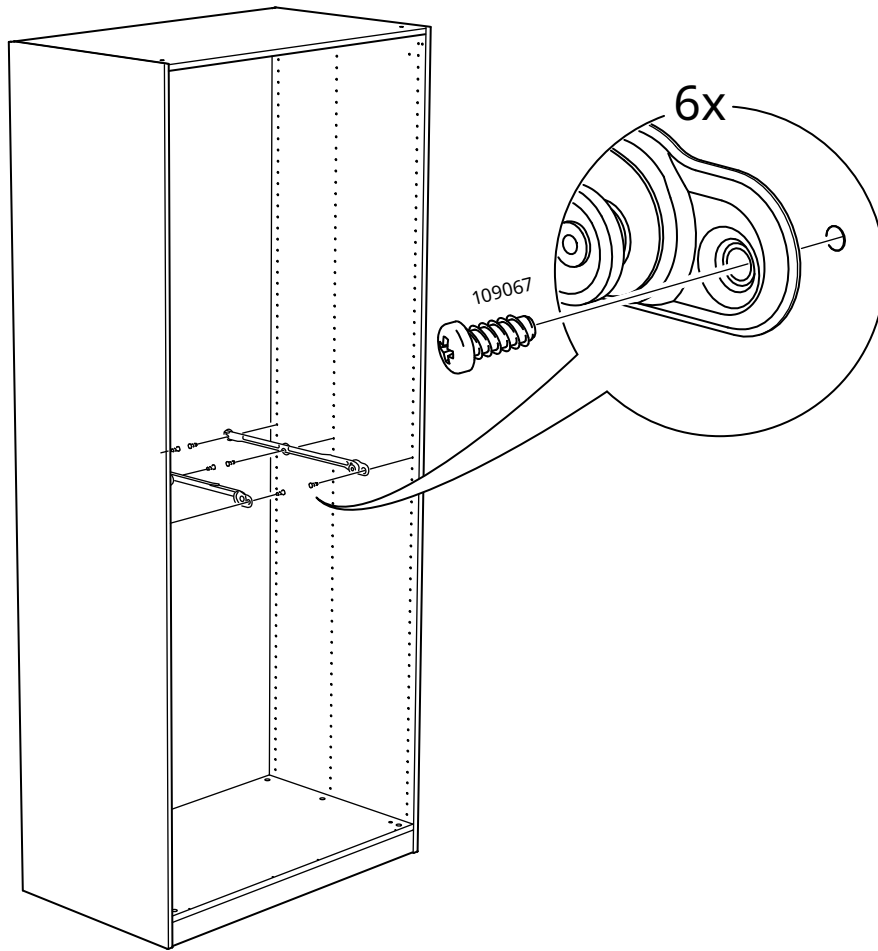
1x



1



2



3

