

# Boori

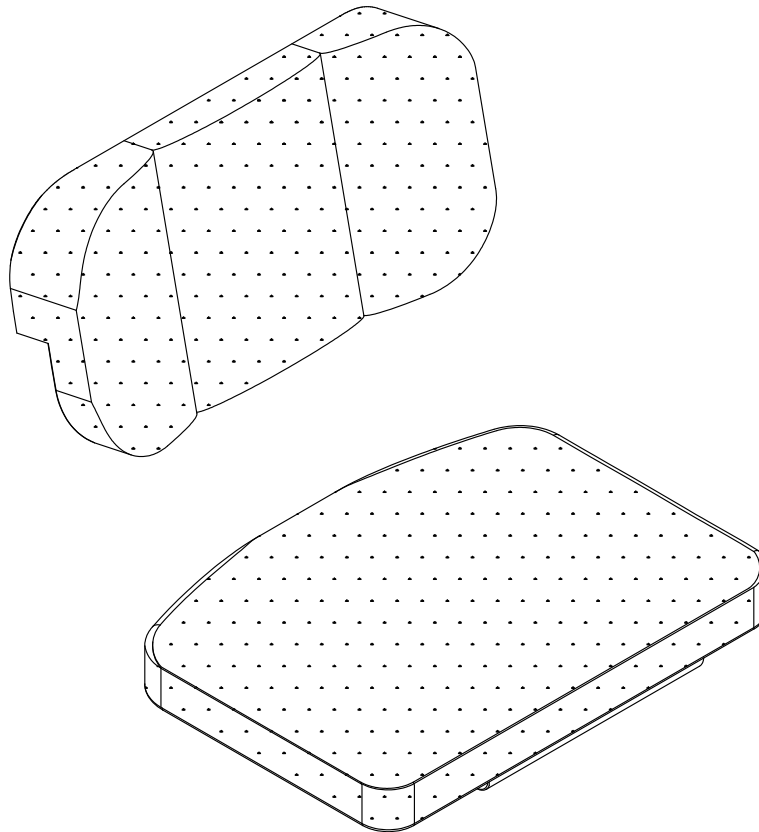
## Euler



### Cushion Set

### *For Euler Study Chair*

欧拉学习椅垫



**IMPORTANT:**  
**PLEASE READ THE INSTRUCTIONS CAREFULLY**  
**AND KEEP FOR FUTURE REFERENCE**

**重要：**请仔细阅读此说明书，并妥善保管以便日后参考。

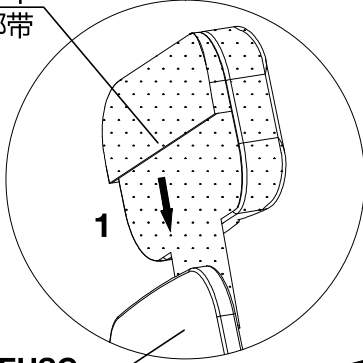
# Assembly / 安装说明

**1**

**BK-EUSC (Euler Study Chair)**  
is sold separately and available in matching finish.  
所配套的欧拉学习椅 **BK-EUSC** 需单独购买。

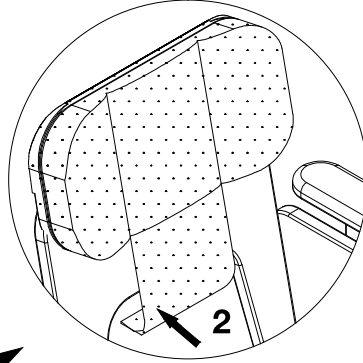
Inside seam  
with Velcro straps  
内缝有魔术贴绑带

Installation step 1.  
安装步骤1

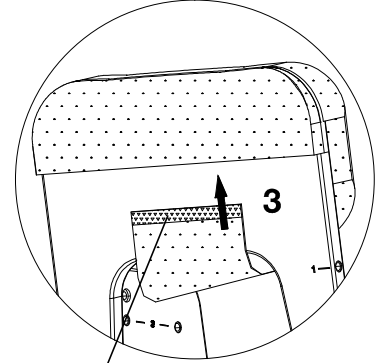


**BK-EUSC**

Installation step 2.  
安装步骤2



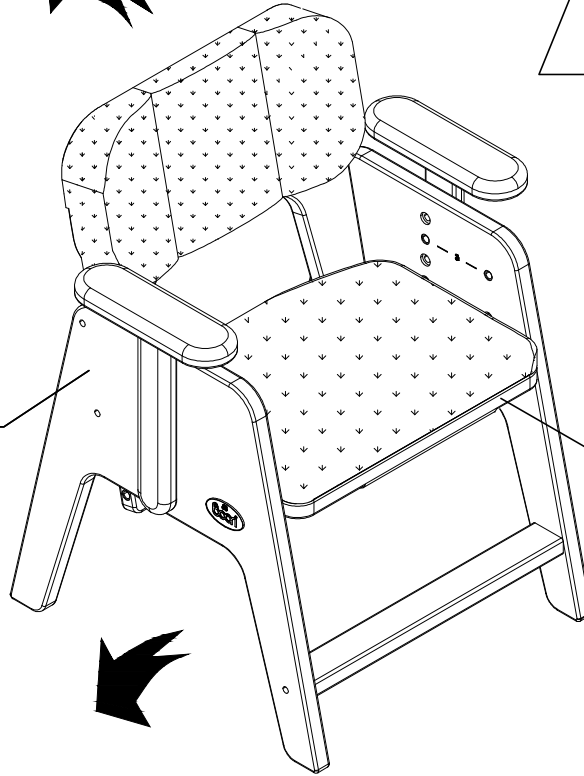
Installation step 3.  
安装步骤3



Securely fasten bottom  
Velcro with the Velcro  
inside the head seam.  
上下魔术贴粘合牢固

**BK-EUSC**

**Front**  
前面

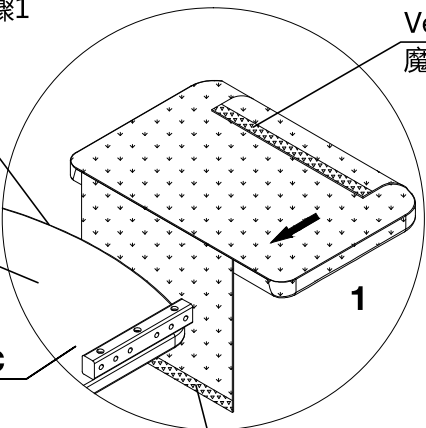


Installation step 1.  
安装步骤1

**Behind**  
后面

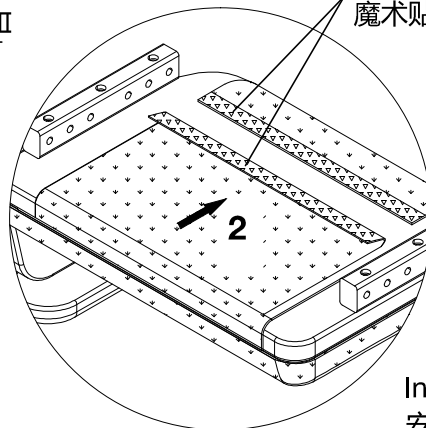
**Down**  
下面

**BK-EUSC**



**Velcro straps II**  
魔术贴绑带 II

**Velcro straps III**  
魔术贴绑带 III



Securely fasten Velcro  
straps II and III.

魔术贴绑带 II 和 III 粘合牢固

Installation step 2.  
安装步骤2