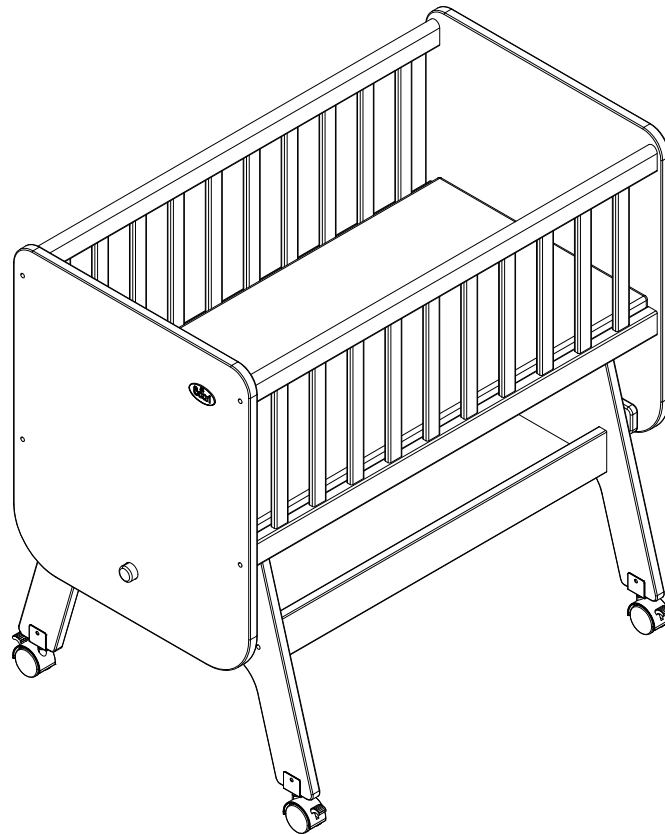


Boori

Neat



Rocking Cradle



**IMPORTANT:
PLEASE READ THE INSTRUCTIONS CAREFULLY
AND KEEP FOR FUTURE REFERENCE**

Boori Australia Pty Ltd
 11/4 Southridge Street
 Eastern Creek NSW 2766
 Tel: +61 2 9833 3769
 www.boori.com.au

Boori (Europe) Ltd
 Unit 1 Riverside House,
 Mill Lane, Newbury,
 Berkshire, RG14 5QS UK
 Tel: +44 016 3529 5670
 www.boori.co.uk

ブーリジャパン株式会社
 〒141-0022
 東京都品川区東五反田1-10-9
 STビル8F
 TEL: 03-6420-0024
 EMAIL: info@boori.co.jp
 HP: www.boori.jp

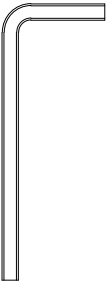
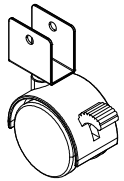


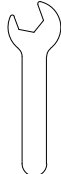



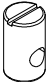
浙江瀚豪实业有限公司
 浙江省嘉兴市南湖区七星街道
 都市经济产业园（东大路西）
 电话：0573-83885718
 网址：www.boori.com
 邮编：314002

Neat Rocking Cradle (B-NERC)

Dimensions (External): 931 x 652 x 888(mm)
 (Internal): 895 x 460(mm)

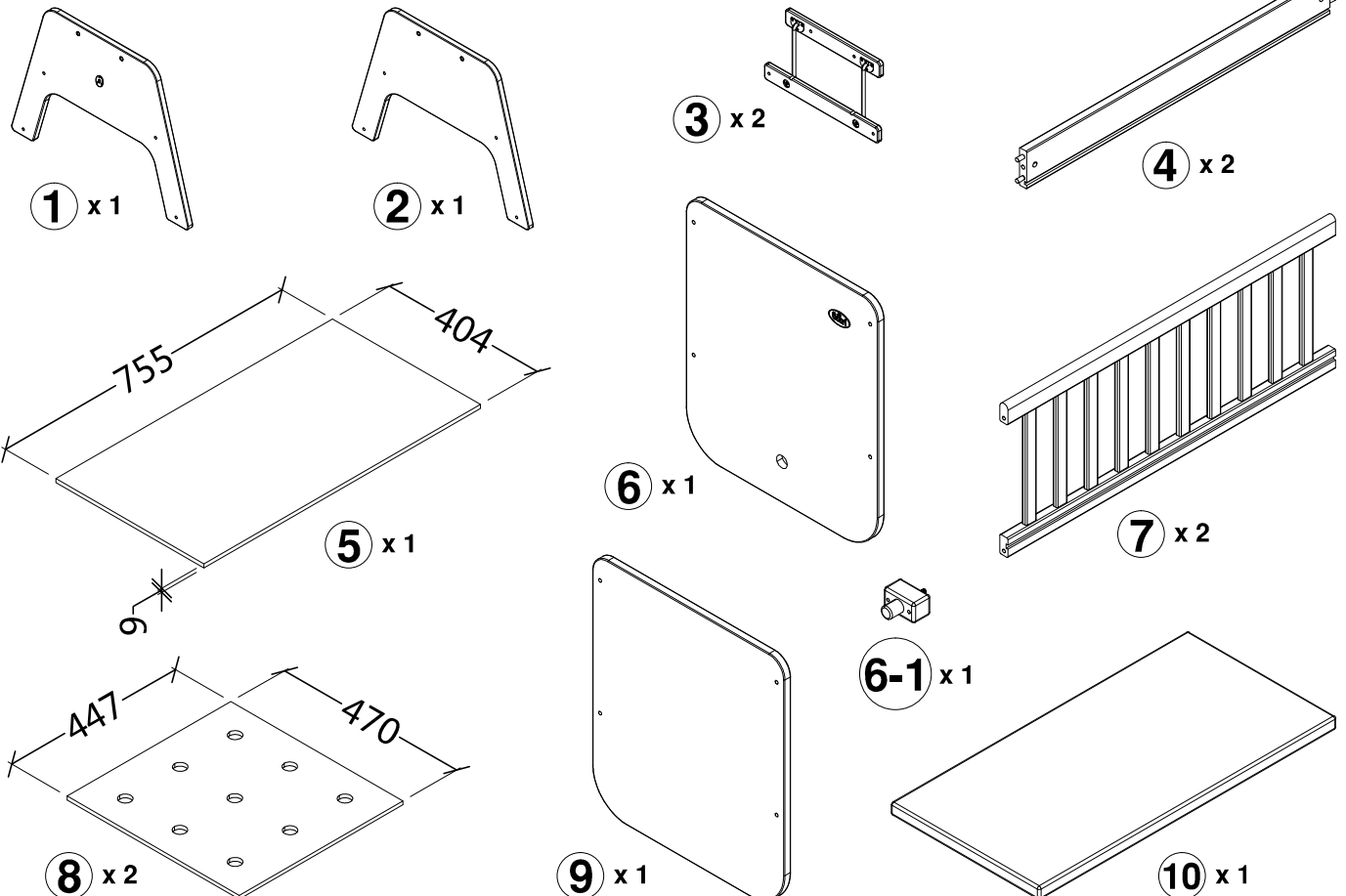
Main Materials: Australia Araucaria / European Beech /
 Plywood / MDF

Hardware

A x 1	B x 4	C x 4	D x 4	E x 1	F x 8	G x 4	H x 10	I x 12
								
		M6 x 25mm	M6 x 5mm		M6 x 28mm	M6 x 47mm	M6 x 60mm	M6 x 14mm

Parts List

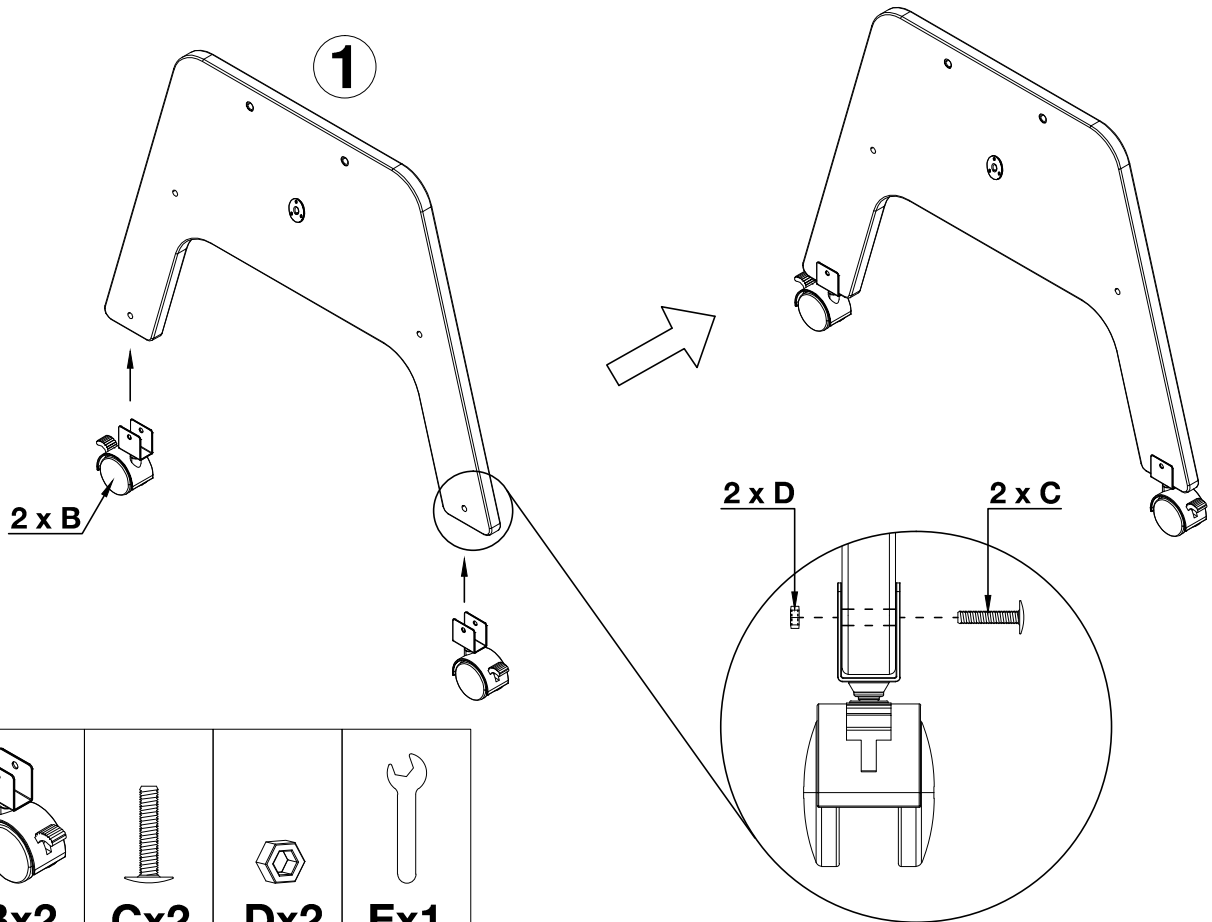
Note: Use only spare parts approved by the manufacturer.



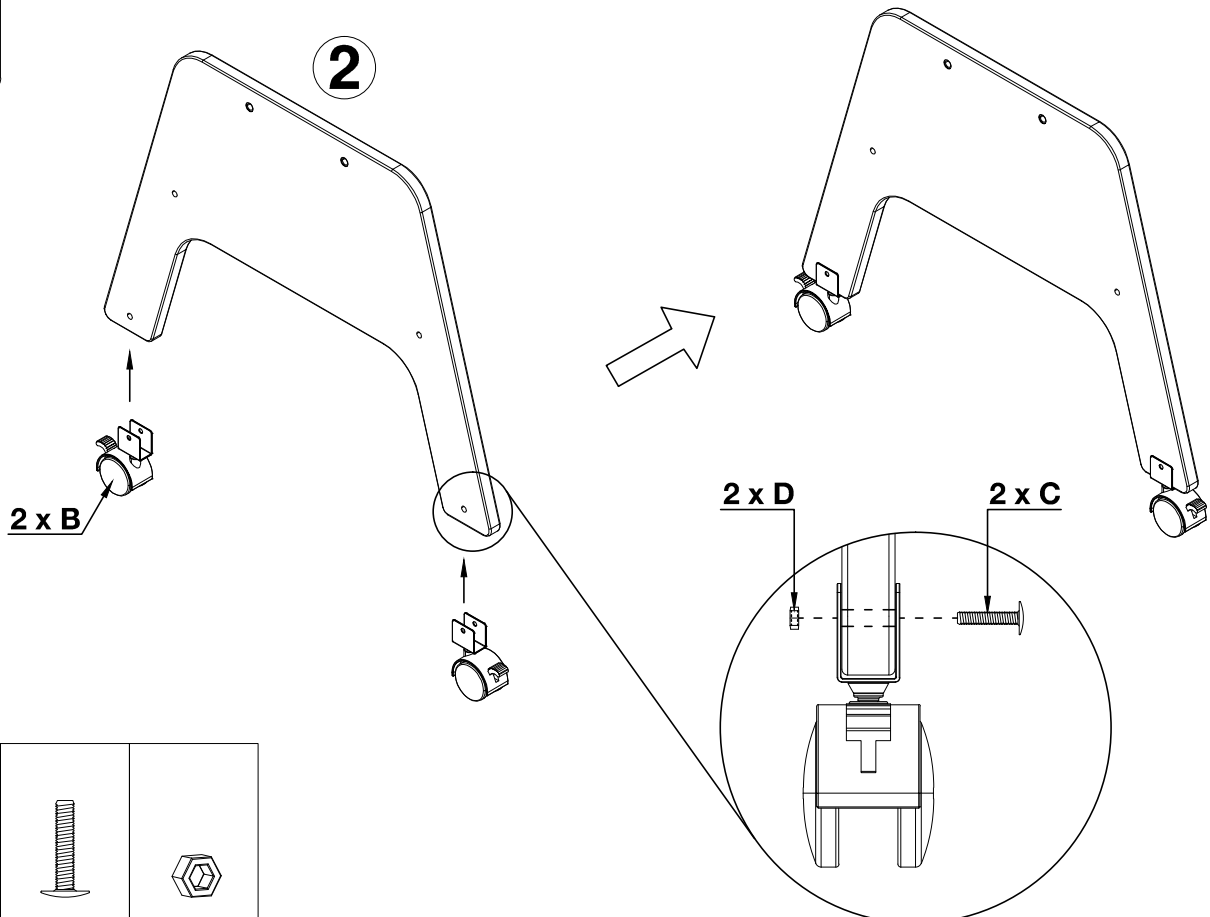
Assembly

1

When installing casters, use right angle Allen wrench A and open-ended wrench E.



2

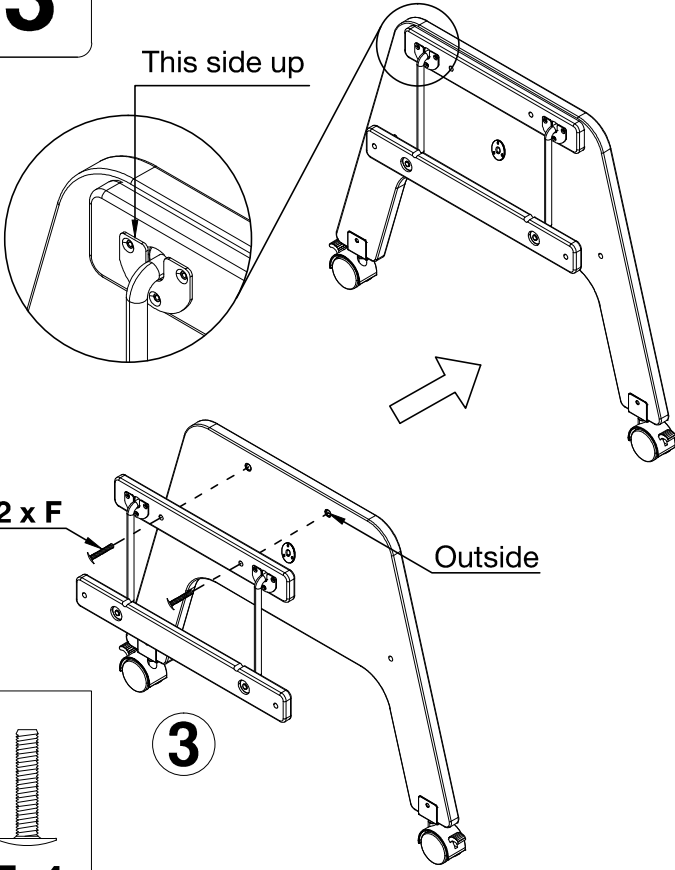


Assembly

3

Repeat for both end panels.

This side up

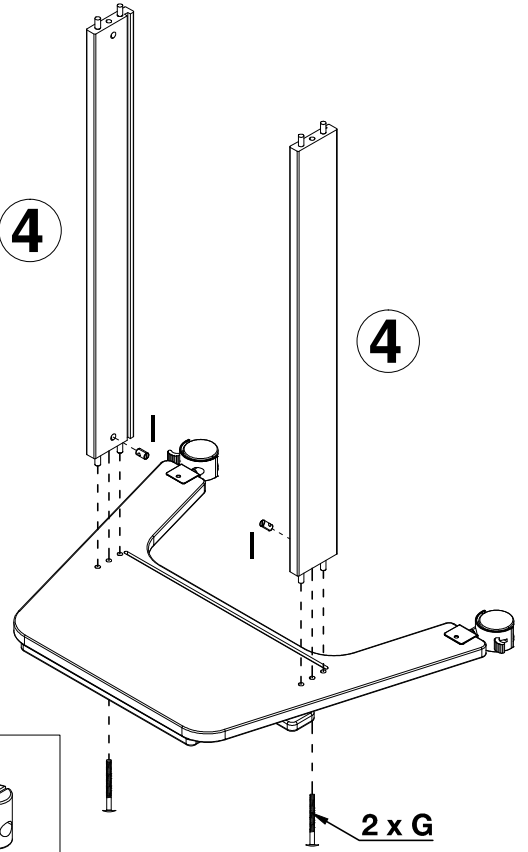


Fx4

4

4

4

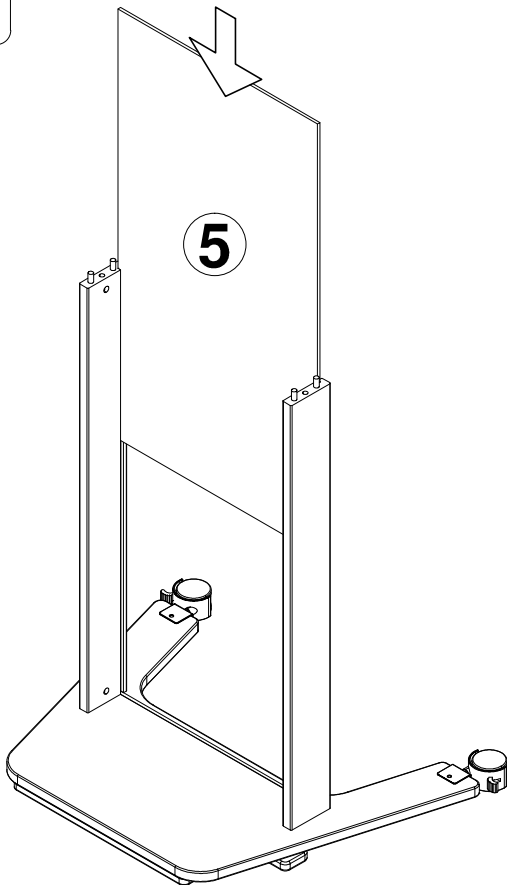


Gx2

Ix2

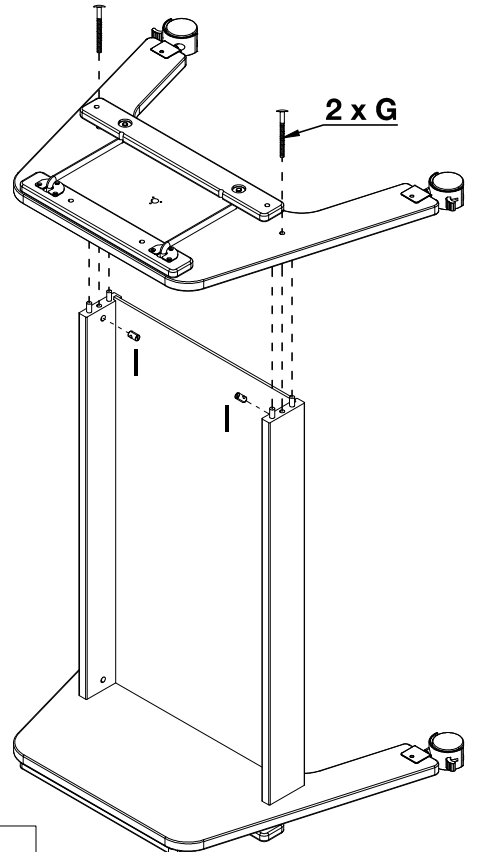
5

5



6

2 x G

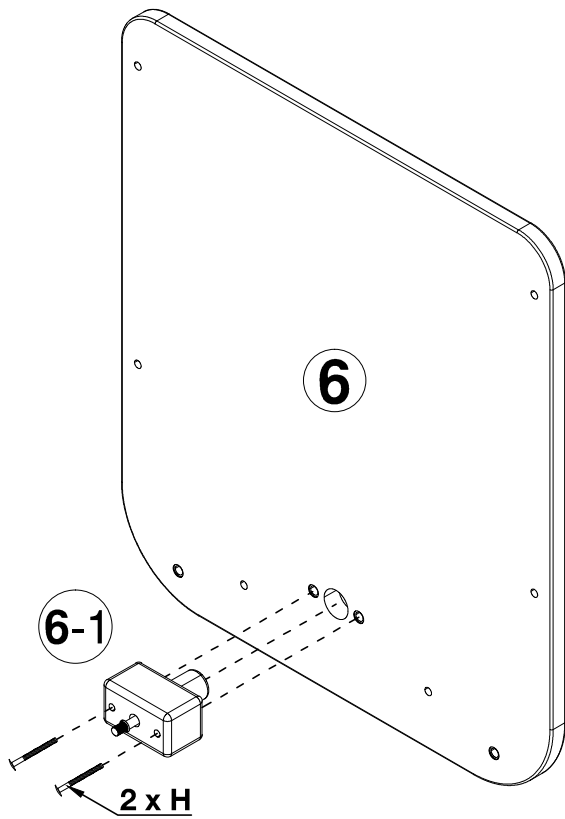


Gx2

Ix2

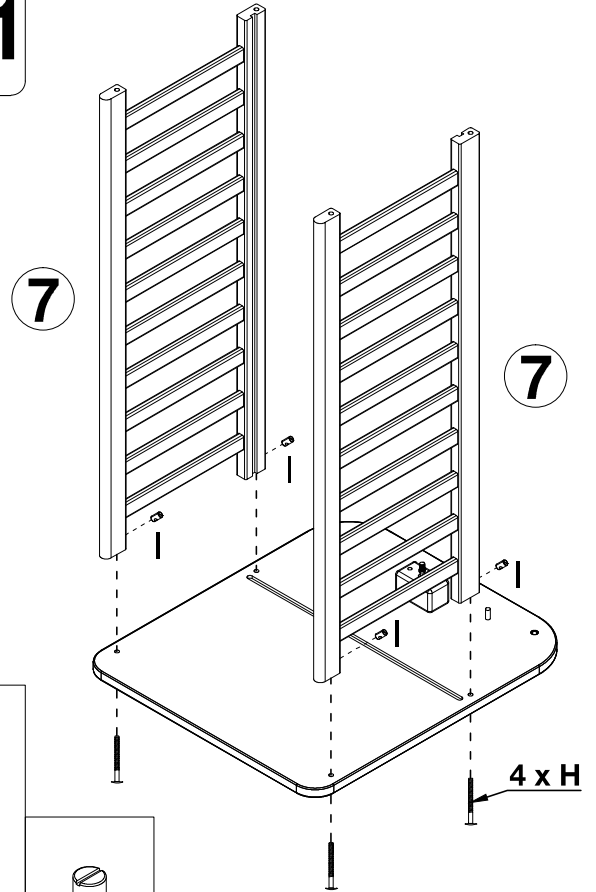
Assembly

7



Hx2

7-1

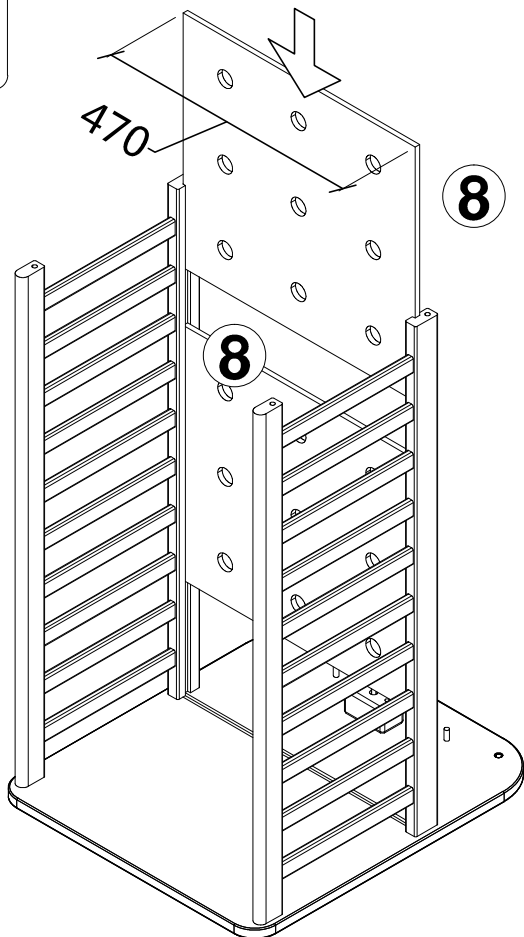


Hx4

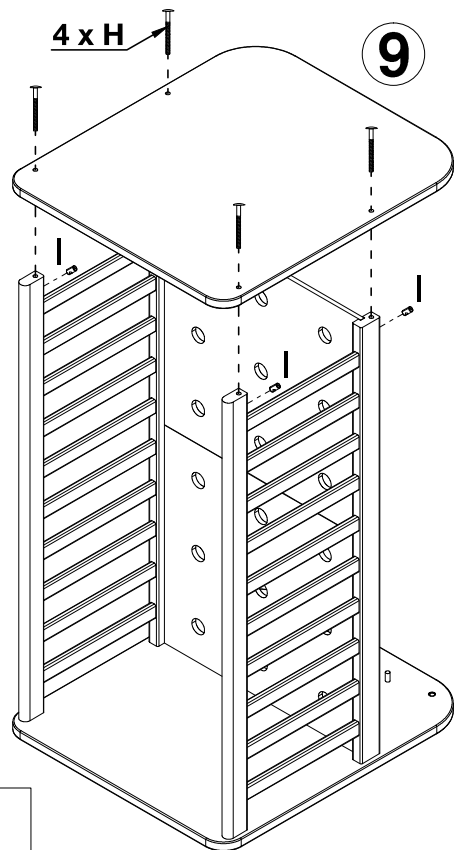


lx4

8



9



Hx4

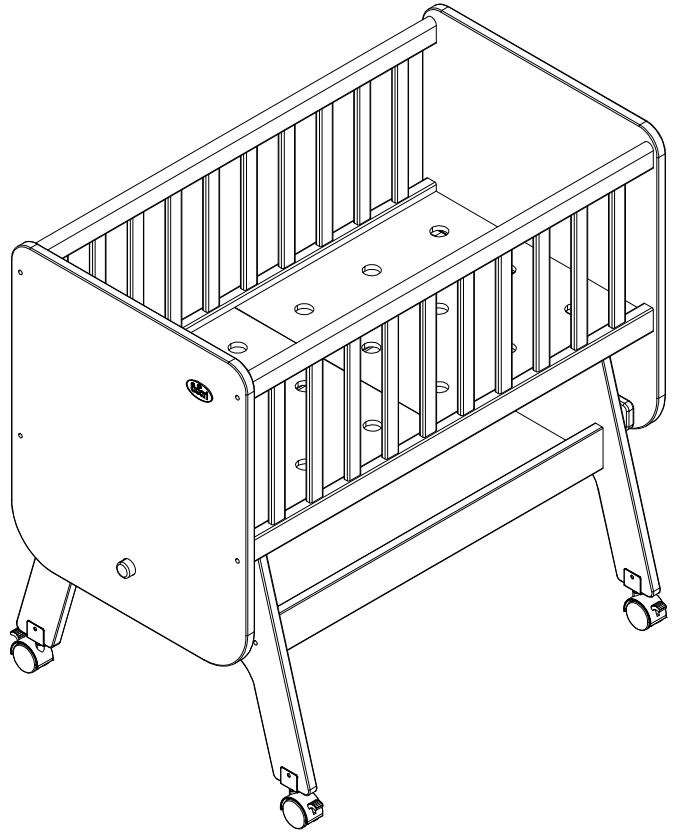
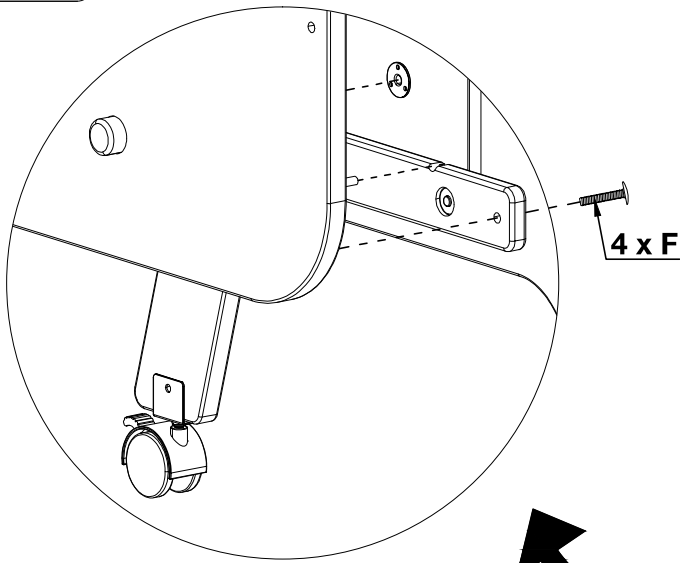


lx4

Assembly

10

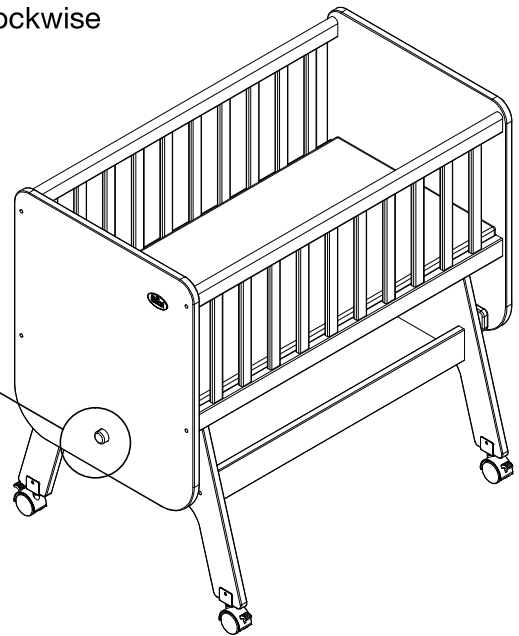
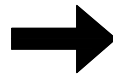
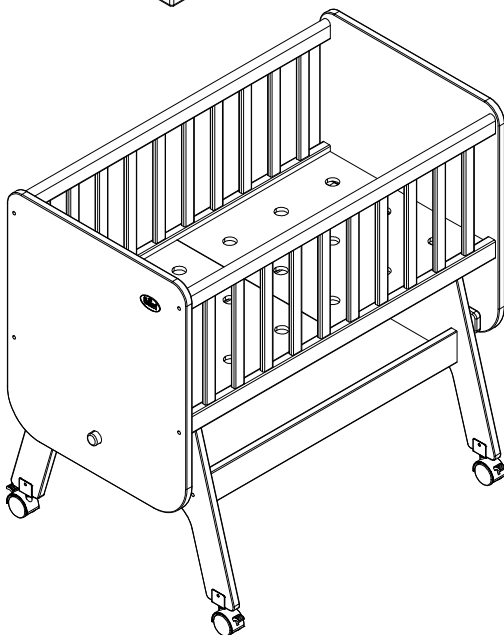
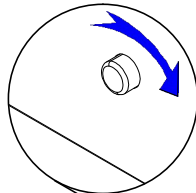
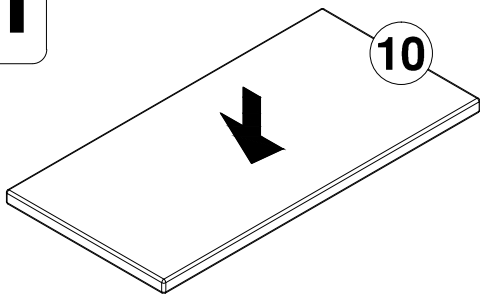
⚠ Tighten all the connecting bolts.



Fx4

11

Rotate the button clockwise to lock the cradle.



⚠ WARNING:

- * Ensure that castor wheel brakes are unlocked before attempting to move the rocking cradle. Also ensure that you lock the rocking motion before moving the cradle.
- * Regularly check that rocking bars, bolts and capping nuts remain tightly connected.
- * To lock the rocking motion, push locking pin in and rotate clockwise. To unlock, simply rotate the pin anti-clockwise.

Boori Furniture

NOTE: Use only spare parts approved by the manufacturer

FOR THE UK

(BS EN 1130 : 2019)

IMPORTANT RETAIN FOR FUTURE REFERENCE READ CAREFULLY

- WARNING – Do not use this product without reading the instructions for use first;
 - WARNING – Stop using the product as soon as the child can sit or kneel or pull itself up;
 - WARNING – Placing additional items in the product may cause suffocation;
 - WARNING – Do not place the product close to another product, which could present a danger of suffocation or strangulation, e.g. strings, blind/curtain cords, etc.;
 - WARNING – Do not use more than one mattress in the product.
 - WARNING – Do not use bedside sleeper if any parts are missing, damaged, or broken. Contact (insert manufacturer's name) for replacement parts and instructional literature if needed.
Do not substitute parts.
 - WARNING – To avoid hazards from the child's neck being caught on the top rail on the side that is next to the adult bed, the top rail must not be higher than the adult bed mattress.
 - WARNING – To avoid the risk of your child being strangled the attachment system to the adult's bed shall always be kept away from and out of the crib.
- a) Height from the floor of the adult's bed for which the bedside sleeper is suitable;
 - b) The user shall not use other attachment system;
 - c) That bedside sleepers shall never be used in an inclined position;
 - d) To prevent a suffocation hazard from entrapment, the bedside sleeper shall be properly secured to the adult bed using the attachment system;
 - e) There shall never be a gap between the lower side of the bedside sleeper and the mattress of the adult bed;
 - f) Check the tightness of the attachment system before each use by pulling the bedside sleeper in a direction away from adult bed;
 - g) If there is any gap between the bedside sleeper and the adult bed DO NOT use product.
 - h) Gaps should not be filled with pillows, blankets or other items.
 - i) Recommended bassinet pad 460mm wide by 890mm long and a maximum thickness of 45mm.
- “DANGER! – Always completely raise the drop side when not attached to the adult's bed”.

FOR AUSTRALIA AND NEW ZEALAND (AS/NZS 4385: 1996)

IMPORTANT RETAIN FOR FUTURE REFERENCE READ CAREFULLY

- (i) the need to follow the manufacturer's assembly instructions in detail to ensure the safety features of the rocking cradle are not compromised;
- (ii) the need to remove any tools or excess parts including plastic packaging from the cradle vicinity after its assembly;
- (iii) the need to discontinue use of the rocking cradle before the infant can sit up by itself;
- (iv) the need for any padding and cushioning materials, including the mattress, to be sufficiently firm to preclude conforming to the contours of the infant's face;
- (v) the need to ensure that the infant is not positioned face down into the mattress;
- (vi) the need to ensure that proper ventilation is maintained in and around the cradle by limiting bed clothes, extra pillows or toys;
- (vii) the need to ensure the rocking cradle is placed at a reasonable distance from curtains, blinds, heaters and power points;
- (viii) the need to keep medication, string, elastic, small toys or small items such as money out of reach from any position in the rocking cradle; and
- (ix) the need to be aware that ribbons or lace associated with bedding may entangle the infant;

FALL HAZARD:

To help prevent falls, do not use this product when the infant begins to push up on hands and knees or has reached weight of 15 kgs, whichever comes first.

SUFFOCATION HAZARD: Infants have suffocated

In gaps between extra padding and side of the bassinet/cradle, and on sofa bedding.

Use Only the pad provided by manufacturer.

NEVER add a pillow, comforter, or another mattress for padding.



Boori Care Instructions

Congratulations and thank you for choosing Boori product(s). The furniture you have purchased is constructed from high quality materials for strength and durability. Here are some tips on how you can preserve its beauty for a long time.

1. Do not expose furniture to strong sunlight, direct heat sources, extreme changes in temperature or moisture.
2. Wipe up spills immediately with a soft, clean cloth.
3. Urine spills on furniture can cause discolouration.
4. Clean furniture by wiping the surface with a soft cloth dampened with water.
5. If necessary clean furniture using a mild soap solution and wipe clean with a soft cloth dampened with water and then dry with soft clean cloth.
6. Do not use strong household cleaners.
7. Always wipe in the direction of the grain in the wood do not wipe in a circular motion.
8. Avoid contact with sharp objects, or containers containing hot liquid.
9. Avoid contact with 'rubber feet' on items such as radios, computers, telephones etc. Use a felt mat (not plastic) to protect furniture surfaces.
10. Do not open more than one drawer at a time.
11. When moving furniture do not drag always lift and place in position.

Boori Warranty

All Boori wood products carry a full three (3) years manufacturer's warranty as testimony to the quality and longevity of the range. This warranty excludes general wear & tear and damage caused, by the product not being used in accordance with its instructions or the care instructions.

During this guarantee period Boori will replace or repair any defective part. In the event of a product being replaced, as a whole unit or part thereof during the guarantee period, the guarantee on the replacement will expire three (3) years from the original purchase date.

This guarantee excludes accidental damage, misuse and or improper transporting and handling.

The warranty is void if the original product has been altered in design or colour in anyway.

All warranty claims must be lodged at the place of original purchase and proof of purchase must be provided in order to lodge a warranty claim.



Warranty against defects



For Australia only (updated 01/16/2019)

Boori Australia Pty Ltd

26 Peter Brock Drive Eastern Creek Sydney NSW 2766 Australia
PH:(61 2) 9833 3769 FAX:(61 2) 9673 4240
ABN: 43 160 962 354

Boori Care Instructions

Congratulations and thank you for choosing Boori product(s). The furniture you have purchased is constructed from high quality materials for strength and durability. Here are some tips on how you can preserve its beauty for a long time.

1. Do not expose furniture to strong sunlight, direct heat sources, extreme changes in temperature or moisture.
2. Wipe up spills immediately with a soft, clean cloth.
3. Urine spills on furniture can cause discolouration.
4. Clean furniture by wiping the surface with a soft cloth dampened with water.
5. If necessary clean furniture using a mild soap solution and wipe clean with a soft cloth dampened with water and then dry with soft clean cloth.
6. Do not use strong household cleaners.
7. Always wipe in the direction of the grain in the wood do not wipe in a circular motion.
8. Avoid contact with sharp objects, or containers containing hot liquid.
9. Avoid contact with 'rubber feet' on items such as radios, computers, telephones etc. Use a felt mat (not plastic) to protect furniture surfaces.
10. Do not open more than one drawer at a time.
11. When moving furniture do not drag, always lift and place in position.

Boori Warranty (“this Warranty”)

All Boori Collection wood products (“Boori Wood Products”) carry a full three (3) years manufacturer’s warranty (“Warranty Period”) to the end-purchaser (“the Customer”) as testimony to the quality and longevity of the range. This warranty excludes general wear & tear and damage caused, by the Boori Product not being used in accordance with its instructions or the care instructions. During this Warranty Period Boori Australia Pty Ltd (ABN 43 160 962 354) (“Boori”) will replace or repair any defective part. In the event of a Boori Product being replaced, as a whole unit or part thereof during the Warranty Period, the warranty on the replacement will expire three (3) years from the original purchase date.

This guarantee excludes accidental damage, misuse and or improper transporting and handling.

The warranty is void if the original Boori Product has been altered in design or colour in anyway.

All warranty claims must be lodged:

- 1. at the place of original purchase as set out on your receipt for purchase of the Boori Products or you may contact Boori on 9833 3769 to obtain further details;and**
- 2. together with a proof of purchase.**

Where the Customer makes a claim pursuant to this Warranty, all expenses incurred in sending the Boori Products to Boori are the Customer's responsibility.

Boori's liability in respect of a breach of a consumer guarantee or any warranty made under this Warranty for any Boori Products not of a kind ordinarily acquired for personal, domestic or household use is limited, in relation to the Boori Products to the extent permissible by law and at it's option to:

1. replacing the Boori Products or the supply of equivalent Boori Products;
2. the repair of the Boori Products;
3. the payment of the cost of replacing the Boori Products or of acquiring equivalent goods; or
4. the payment of the cost of having the Boori Products repaired.

To the extent permitted by law, all other warranties whether implied or otherwise, not set out in this Warranty are excluded and Boori is not liable in contract, tort (including, without limitation, negligence or breach of statutory duty) or otherwise to compensate the Customer for:

1. any increased costs or expenses;
2. any loss of profit, revenue, business, contracts or anticipated savings;
3. any loss or expense resulting from a claim by a third party; or
4. any special, indirect or consequential loss or damage of any nature whatsoever caused by the Customer's failure in complying with its obligations.

Limitations on Warranty Disclaimers

In the following paragraph, 'Our' means 'Boori', 'You' means 'the Customer' and 'goods' means 'Boori Products':

Our goods come with guarantees that cannot be excluded under the Australian Consumer Law. You are entitled to a replacement or refund for a major failure and for compensation for any other reasonably foreseeable loss or damage. You are also entitled to have the goods repaired or replaced if the goods fail to be of acceptable quality and the failure does not amount to a major failure.

The benefits given to the Customer in this Warranty are in addition to other rights and remedies under a law in relation to the Boori Products to which this warranty applies.