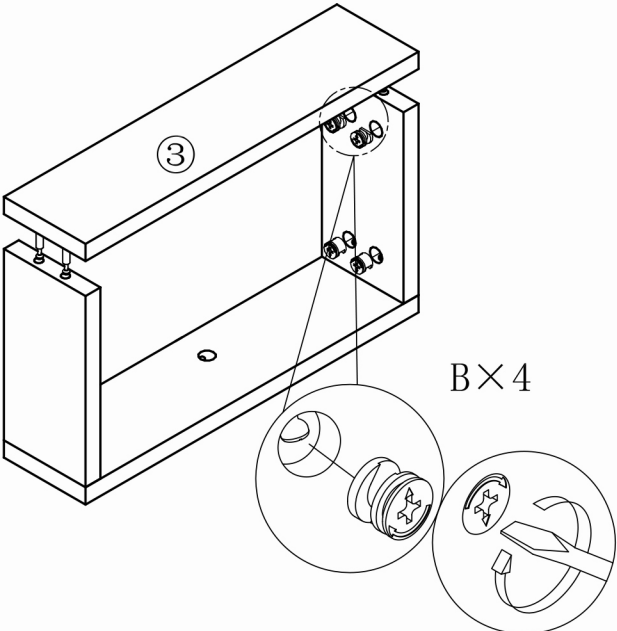


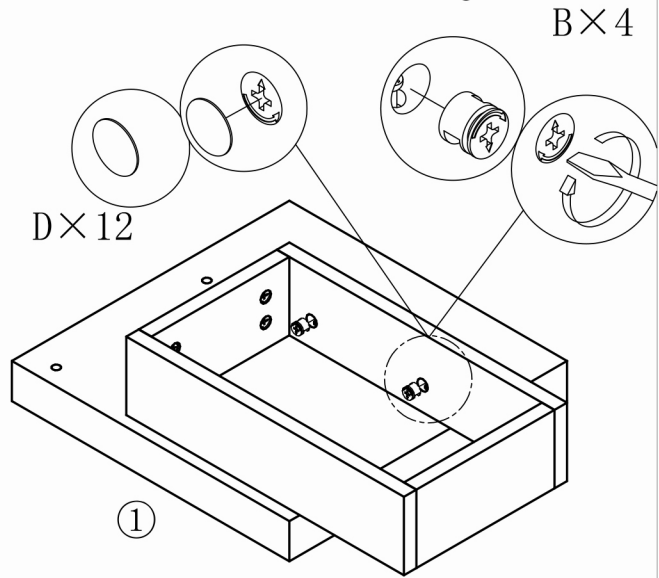
|       |                |
|-------|----------------|
| Model | GF089-CT0404   |
| Size  | 400W*400D*153H |

Step 3

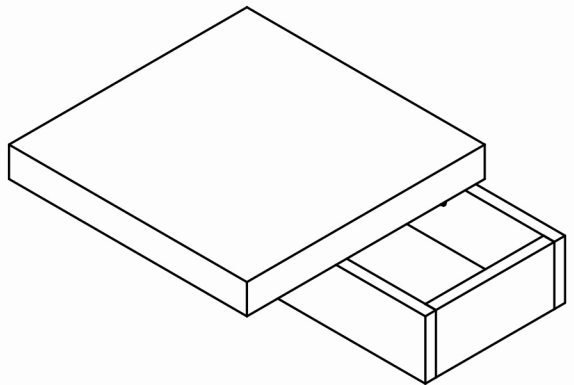


Step 4

Note: The bottom frame and bedboard connection can be installed left and right both.



Step 5



Step 6

Note: The steps of side bedboard and bed connection are as follows, side bedboard can be installed left and right both.

