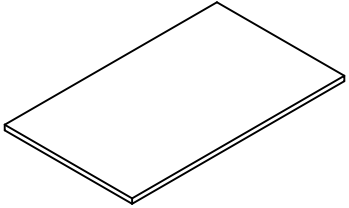
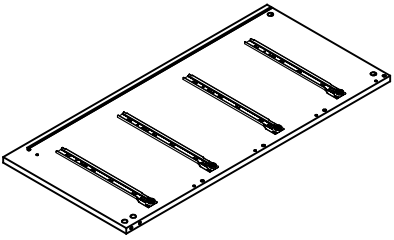
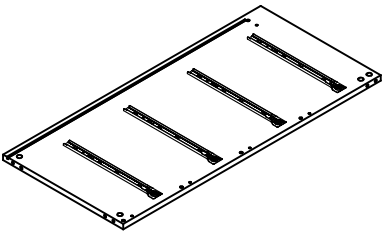
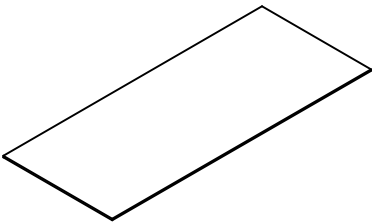
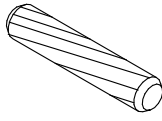

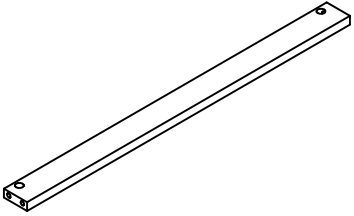
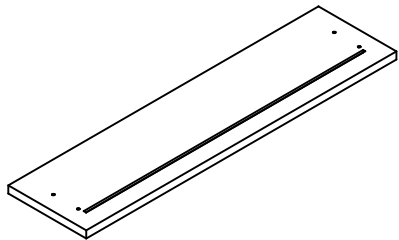
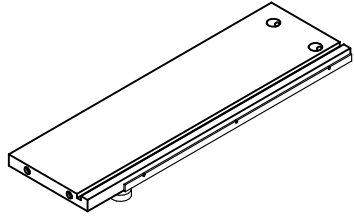
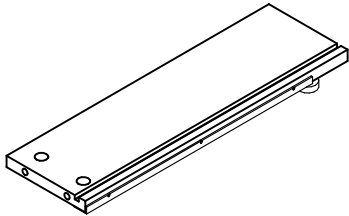
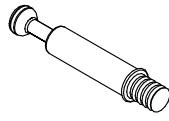
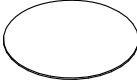
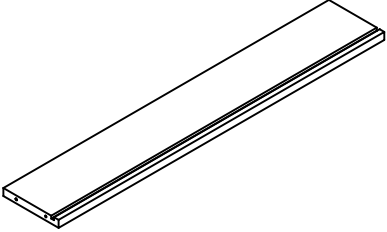
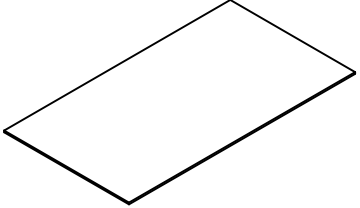
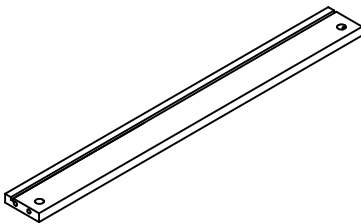
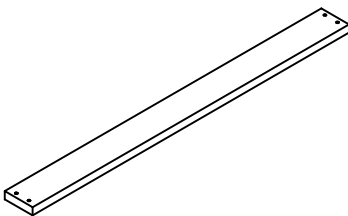
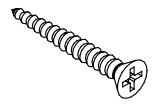
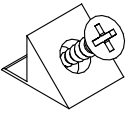


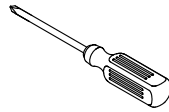
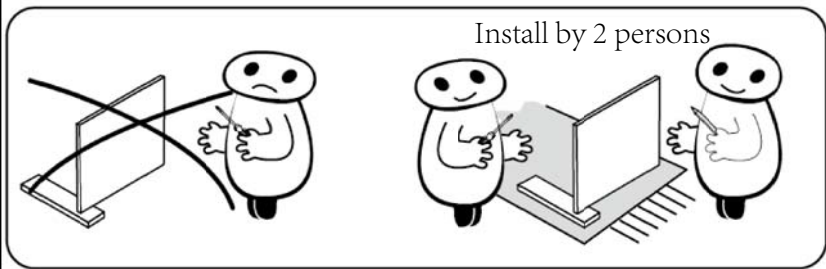


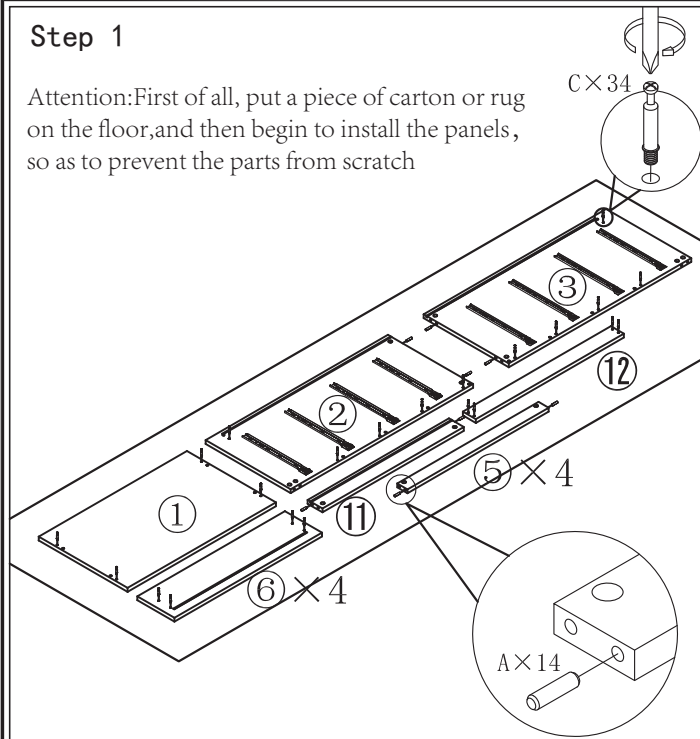
<p>① Top panel</p>  <p>1×</p>	<p>② Right side panel</p>  <p>1×</p>	<p>③ Left side panel</p>  <p>1×</p>	<p>④ Back panel</p>  <p>2×</p>	<p>A. Dowel</p>  <p>14×</p>	<p>B. Cam lock</p>  <p>34+2×</p>
<p>⑤ Front baffle panel</p>  <p>4×</p>	<p>⑥ Drawer front panel</p>  <p>4×</p>	<p>⑦ Drawer right side panel</p>  <p>4×</p>	<p>⑧ Left right side panel</p>  <p>4×</p>	<p>C. Cam pin</p>  <p>34+1×</p>	<p>D. Cam cover</p>  <p>34×</p>
<p>⑨ Drawer back panel</p>  <p>4×</p>	<p>⑩ Drawer bottom panel</p>  <p>4×</p>	<p>⑪ Bottom pulling bar</p>  <p>1×</p>	<p>⑫ Apron board</p>  <p>1×</p>	<p>E. Long pitch self-tapping screw</p>  <p>16+1×</p>	<p>F. Backboard bracket</p>  <p>8×</p>
				<p>G. Backboard strip</p>  <p>1×</p>	<p>H. Anti-pour hardware package</p>  <p>2×</p>
				<p>I. Dual-purpose screwdriver</p>  <p>1×</p>	



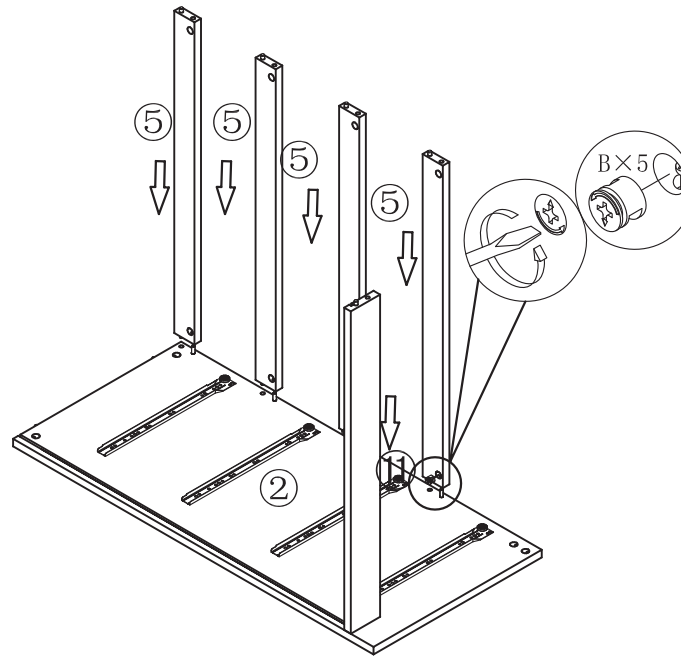
Model	GF582-0810
Name	4-drawer chest
Size	800W*480D*1002H

### Step 1

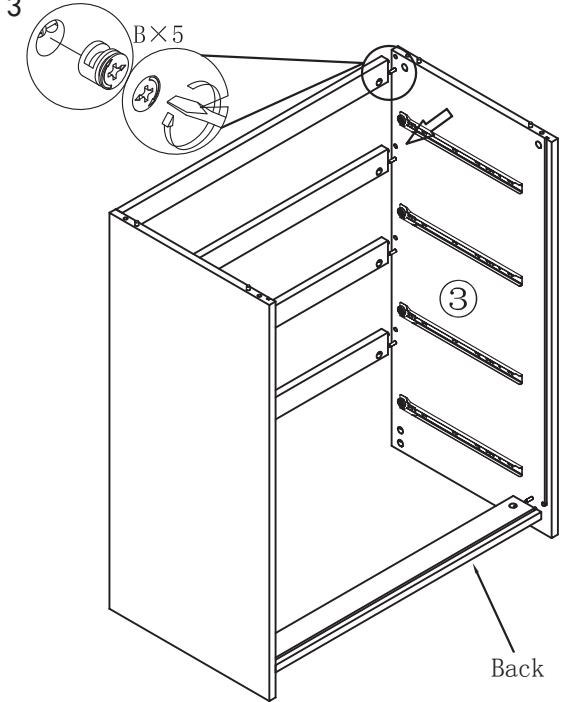
Attention: First of all, put a piece of carton or rug on the floor, and then begin to install the panels, so as to prevent the parts from scratch



### Step 2

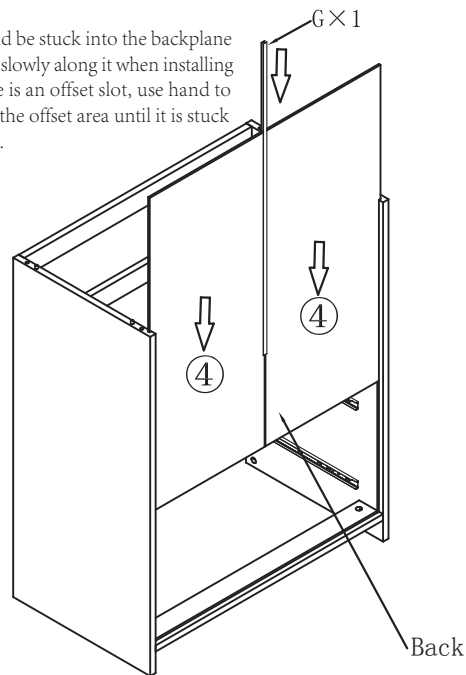


### Step 3

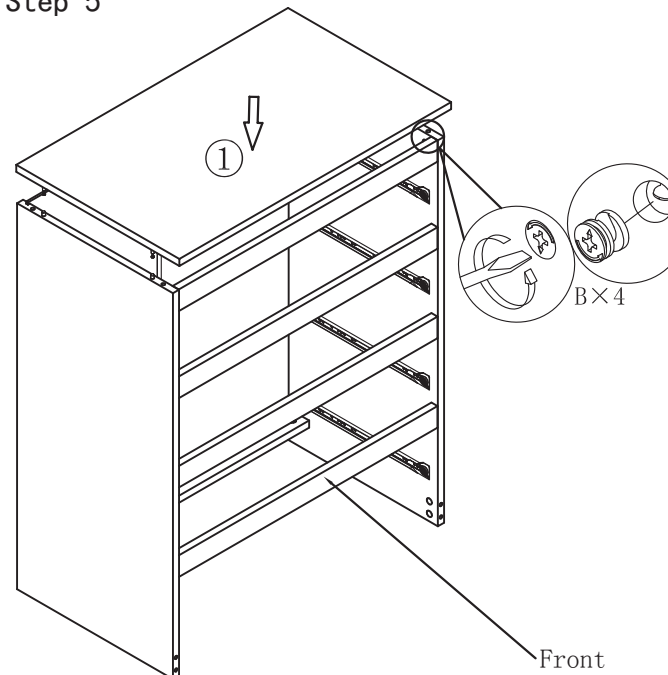


### Step 4

Note: Both sides should be stuck into the backplane slot and pressed down slowly along it when installing the backplane. If there is an offset slot, use hand to press on both sides of the offset area until it is stuck into the backplane slot.

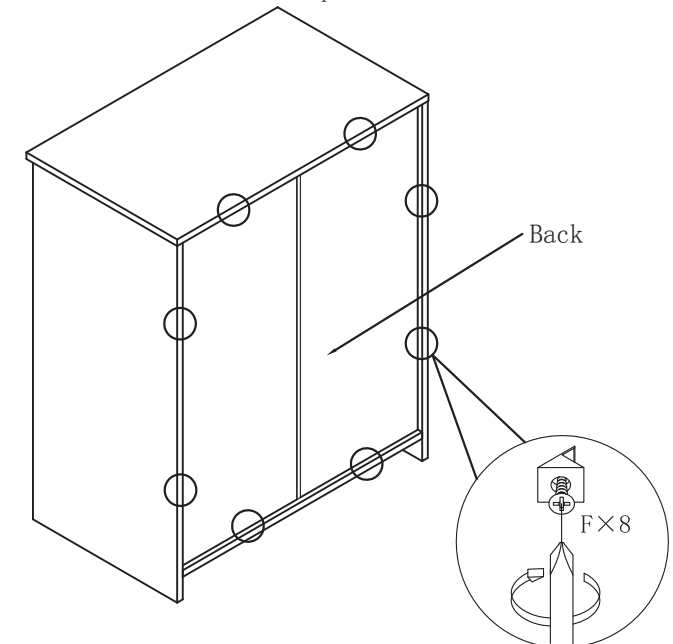


### Step 5

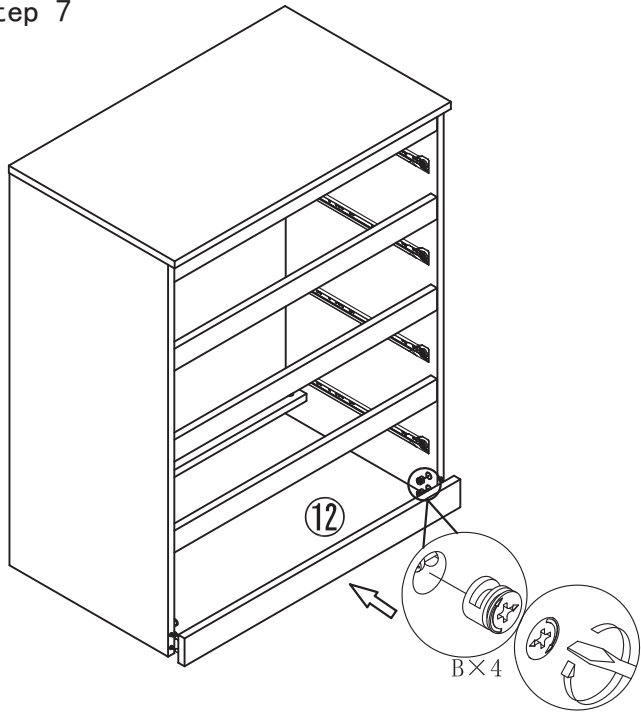


### Step 6

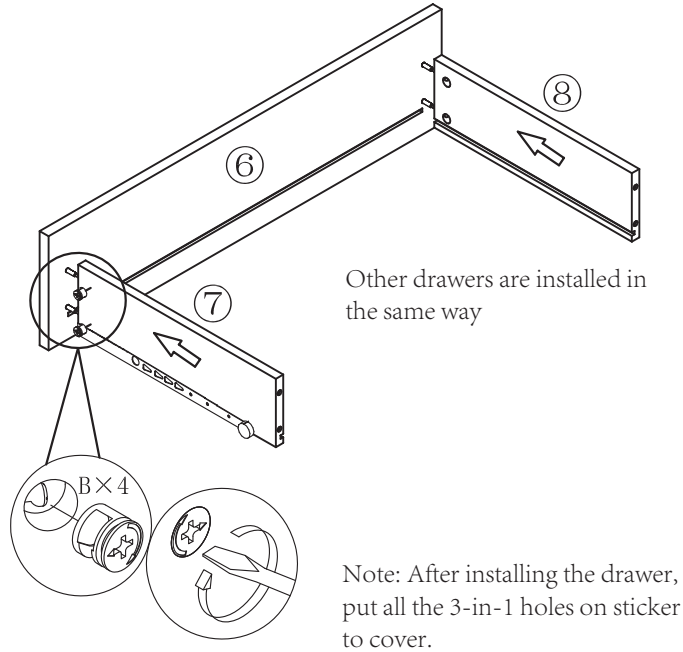
Note: You can refer to the drawing of the circle on the diagram when installing the back panel bracket, there is no accurate hole position.



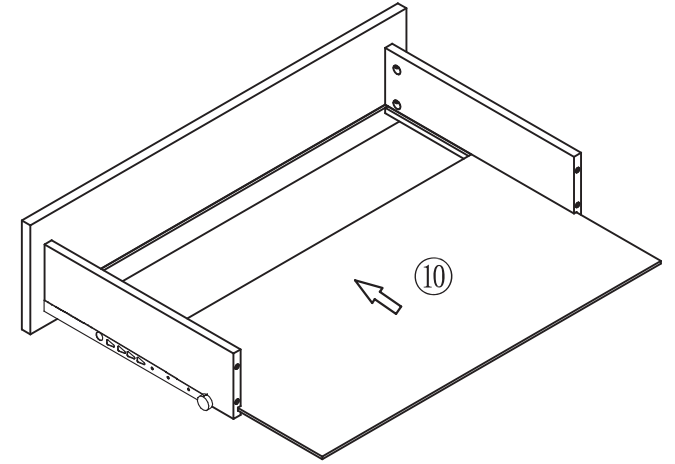
Step 7



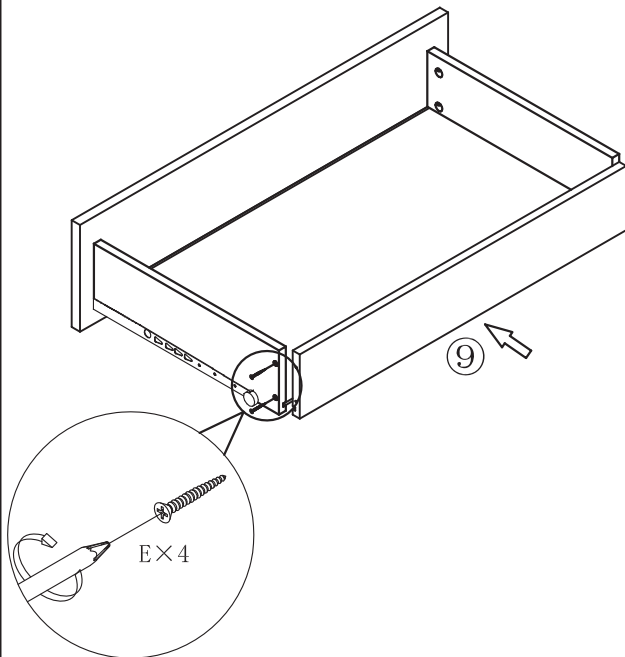
Step 8



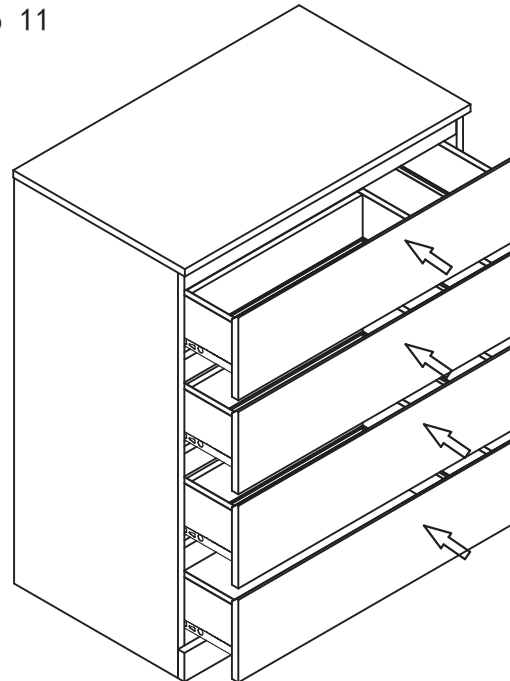
Step 9



Step 10

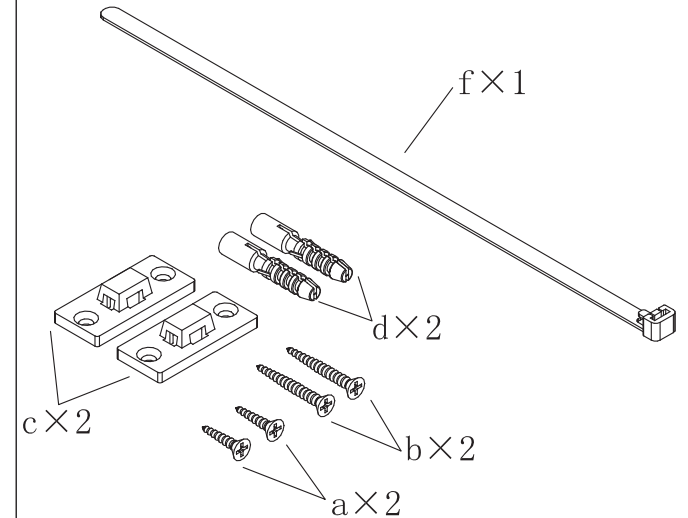


Step 11

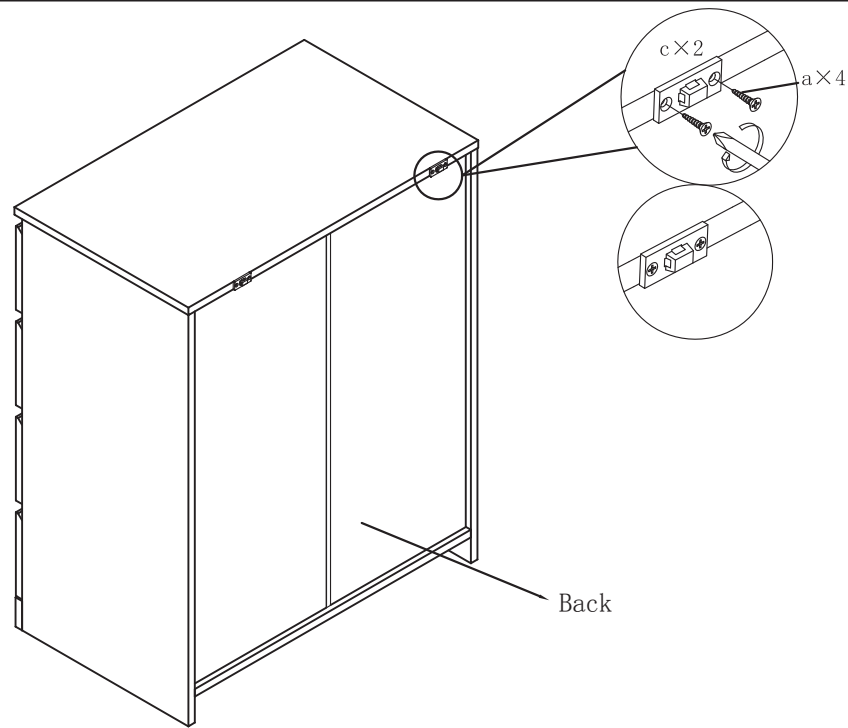


Step 12

Open K (anti-pour hardware package) 2X  
(the following is the number of single package)



Step 13



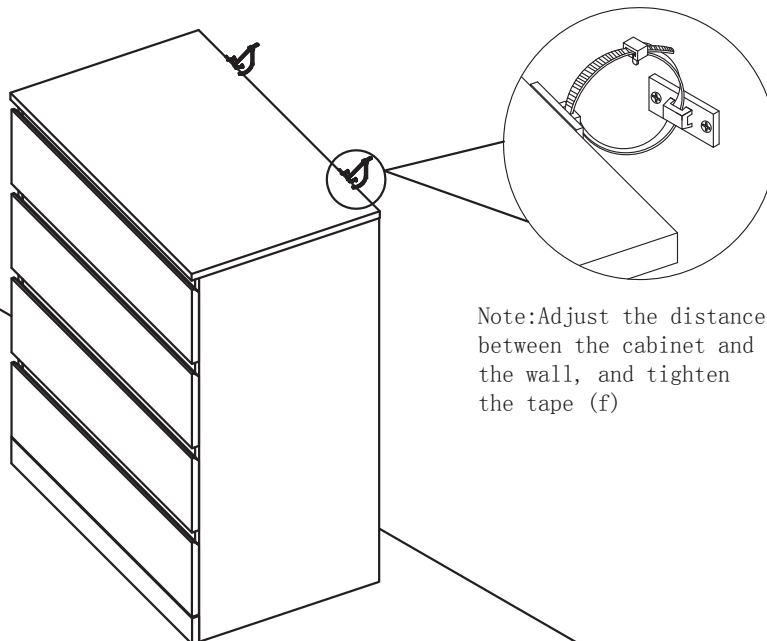
Step 14

Note: According to the installation in the top plate C corresponding to the location of the hole in the wall, and tap into  $d \times 4$ , and then screw into  $b \times 4$



Step 15

Note: put  $f$  ( $\times 2$ ) through the  $c$  ( $\times 2$ )



Step 16

