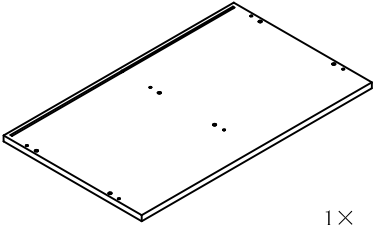
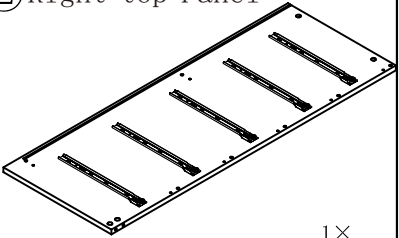
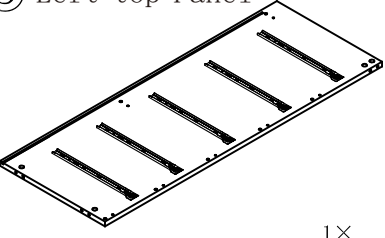
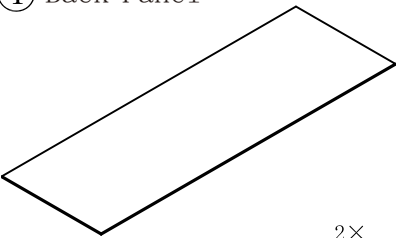
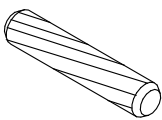

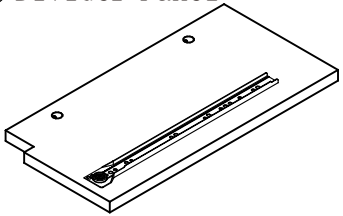
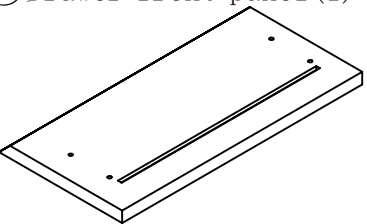
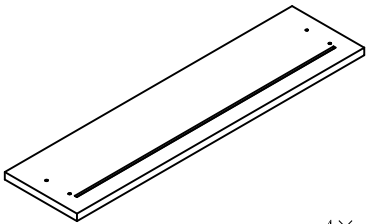
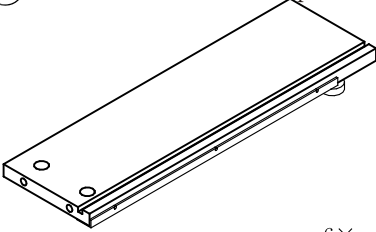
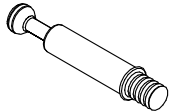

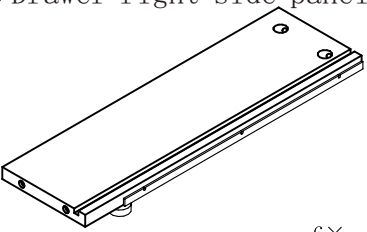
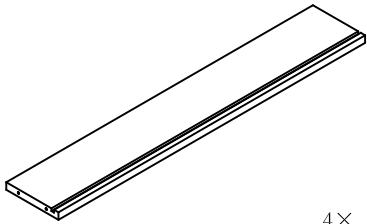
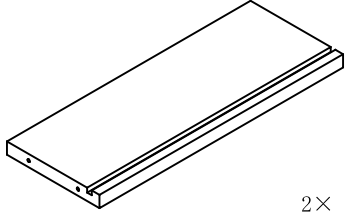
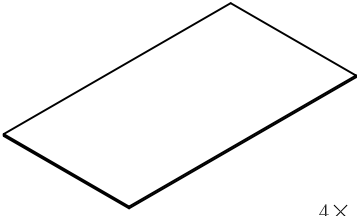

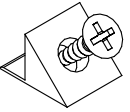
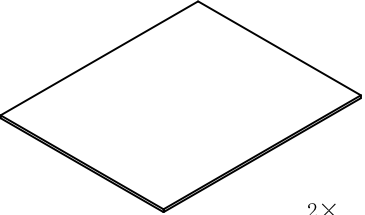
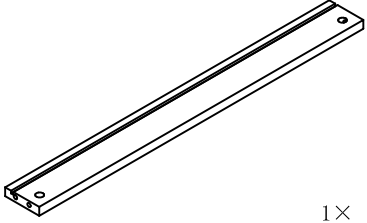
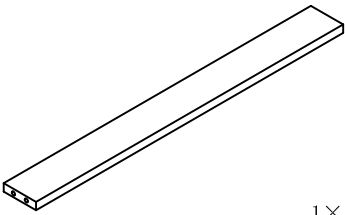
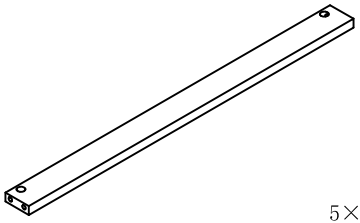


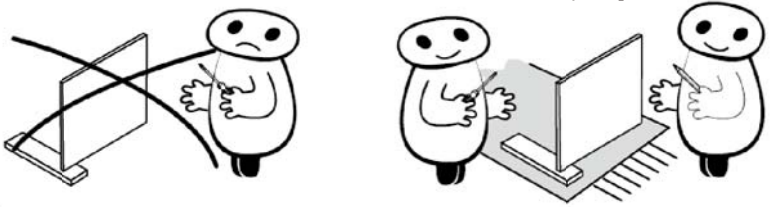
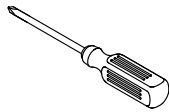
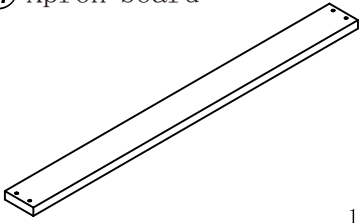
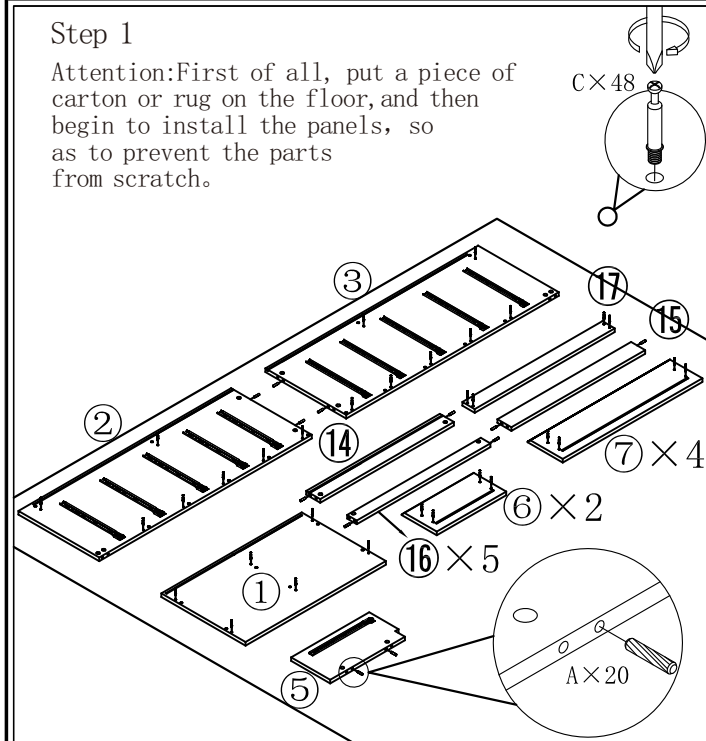


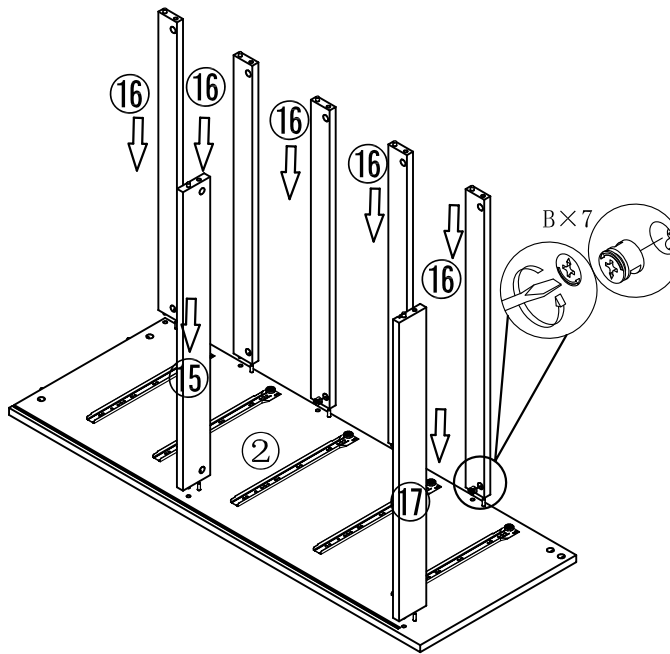
<p>① Top Panel</p>  <p>1×</p>	<p>② Right top Panel</p>  <p>1×</p>	<p>③ Left top Panel</p>  <p>1×</p>	<p>④ Back Panel</p>  <p>2×</p>	<p>A. Dowel</p>  <p>20×</p>	<p>B. Cam Lock</p>  <p>48+2×</p>
<p>⑤ Divider Panel</p>  <p>1×</p>	<p>⑥ Drawer front panel (1)</p>  <p>2×</p>	<p>⑦ Drawer front panel (2)</p>  <p>4×</p>	<p>⑧ Drawer left side panel</p>  <p>6×</p>	<p>C. Cam Pin</p>  <p>48+1×</p>	<p>D. Cam Cover</p>  <p>48×</p>
<p>⑨ Drawer right side panel</p>  <p>6×</p>	<p>⑩ Drawer back panel (2)</p>  <p>4×</p>	<p>⑪ Drawer back panel (1)</p>  <p>2×</p>	<p>⑫ Drawer bottom panel</p>  <p>4×</p>	<p>E. Long pitch self-tapping screw</p>  <p>24+1×</p>	<p>F. Anti-pour hardware package</p>  <p>10×</p>
<p>⑬ Drawer bottom panel</p>  <p>2×</p>	<p>⑭ Bottom pulling bar</p>  <p>1×</p>	<p>⑮ Back pulling bar</p>  <p>1×</p>	<p>⑯ Front rail</p>  <p>5×</p>	<p>G. Backboard strip</p>  <p>1×</p>	<p>H. Anti-pour hardware package</p>  <p>2×</p>
<p>Install by 2 persons</p> 				<p>I. Dual-purpose Screwdriver</p>  <p>1×</p>	<p>⑰ Apron board</p>  <p>1×</p>
				<p>Model</p>	<p>GF584-0812</p>
				<p>Size</p>	<p>800W*480D*1230H</p>

Step 1

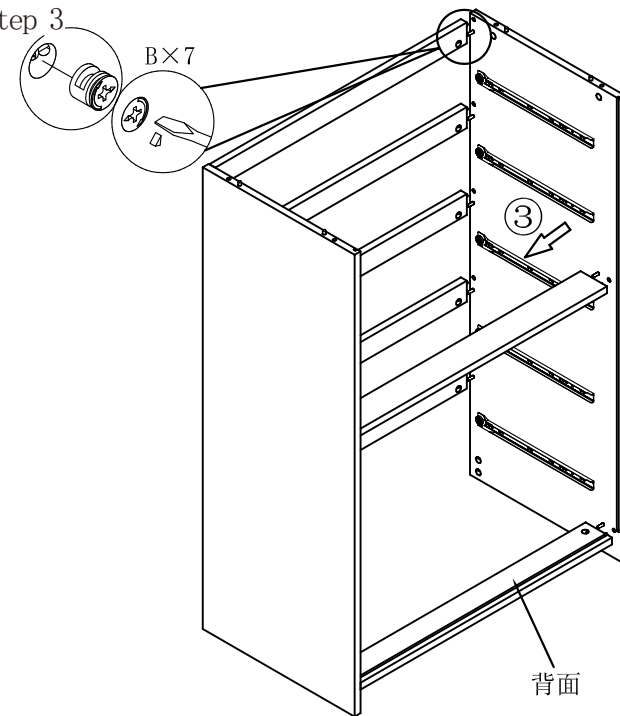
Attention: First of all, put a piece of carton or rug on the floor, and then begin to install the panels, so as to prevent the parts from scratch.



Step 2

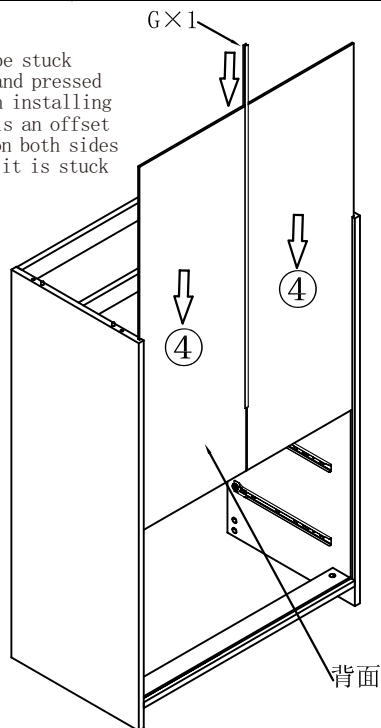


Step 3

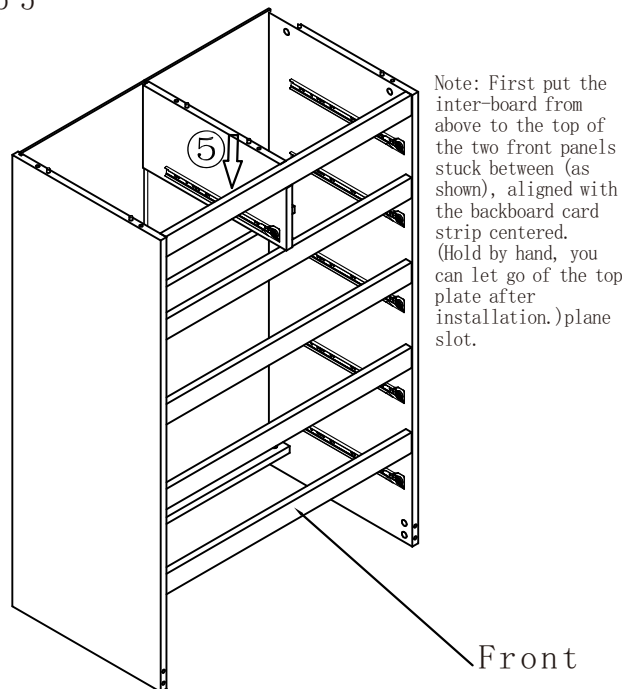


Step 4

Note: Both sides should be stuck into the backplane slot and pressed down slowly along it when installing the backplane. If there is an offset slot, use hand to press on both sides of the offset area until it is stuck into the backplane slot.

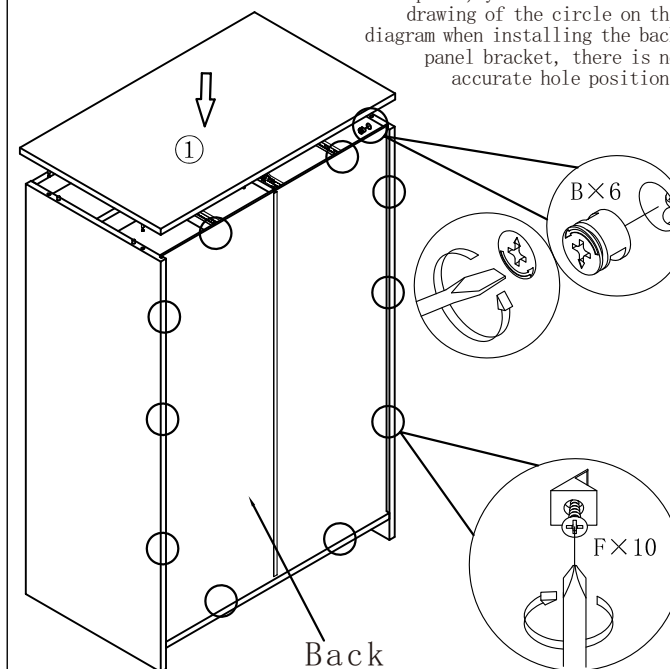


Step 5



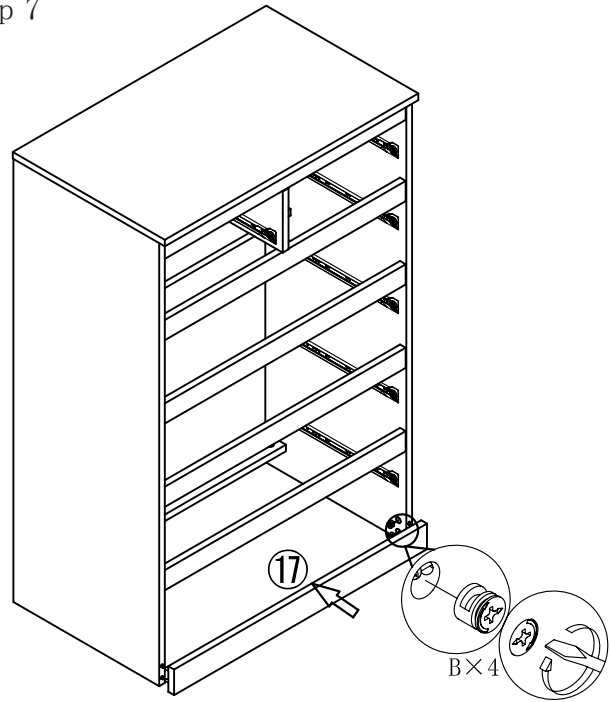
Note: First put the inter-board from above to the top of the two front panels stuck between (as shown), aligned with the backboard card strip centered. (Hold by hand, you can let go of the top plate after installation.) plane slot.

Step 6

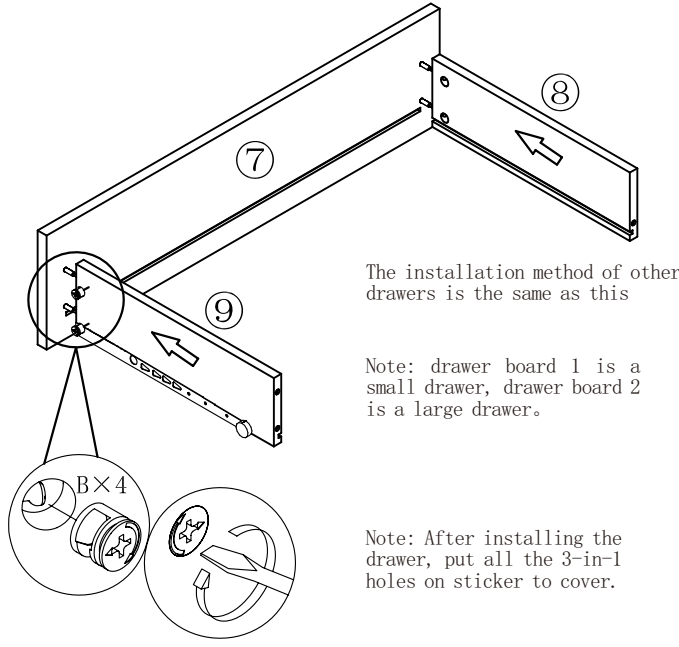


Note: After installing the top panel, you can refer to the drawing of the circle on the diagram when installing the back panel bracket, there is no accurate hole position.

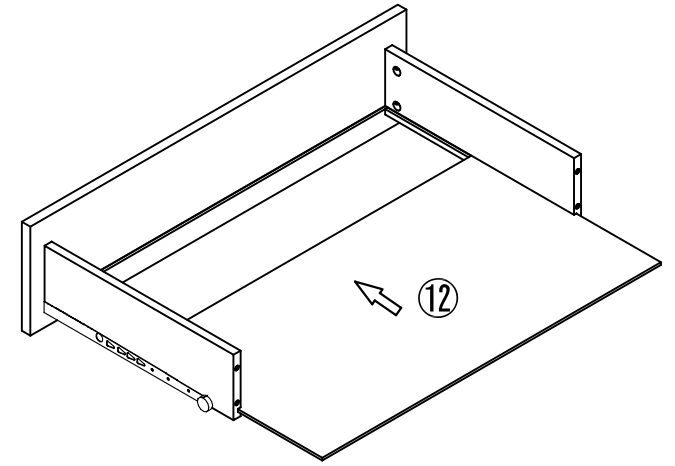
Step 7



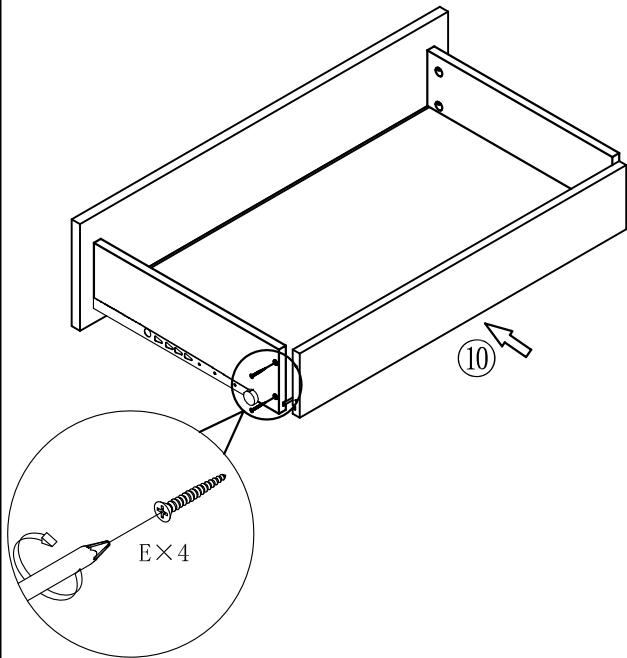
Step 8



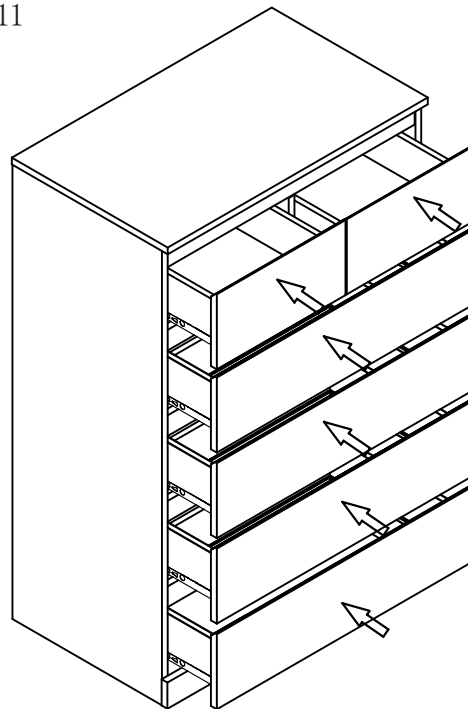
Step 9



Step 10

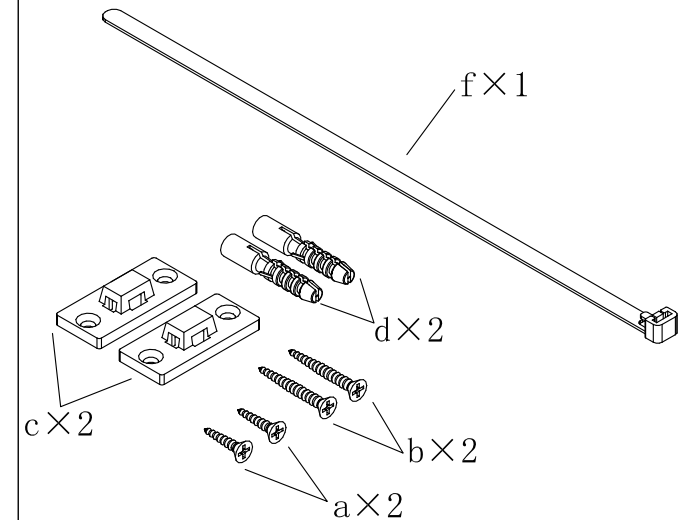


Step 11

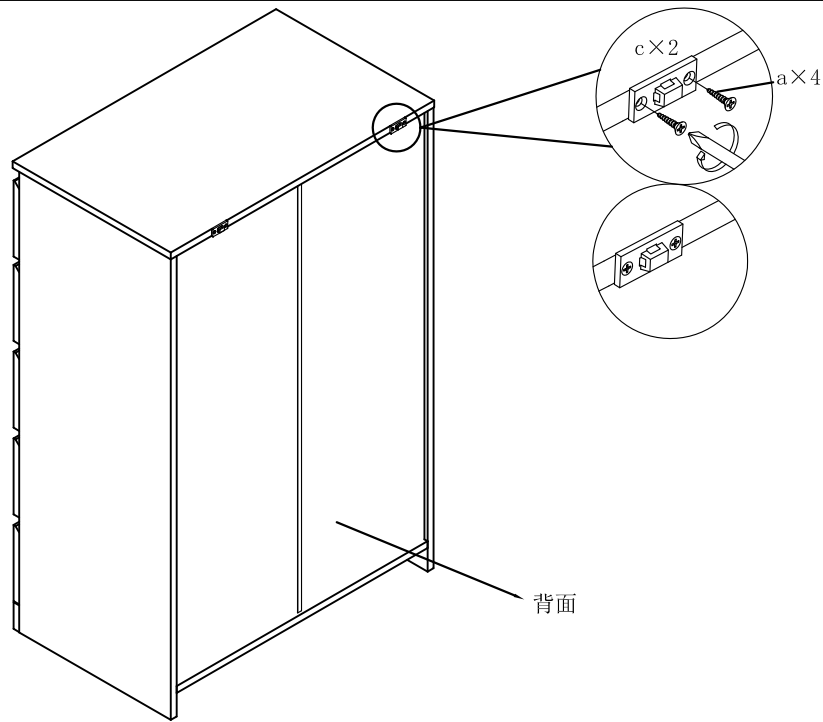


Step 12

Open K (anti-pour hardware package) 2X
 (the following is the number of single package)



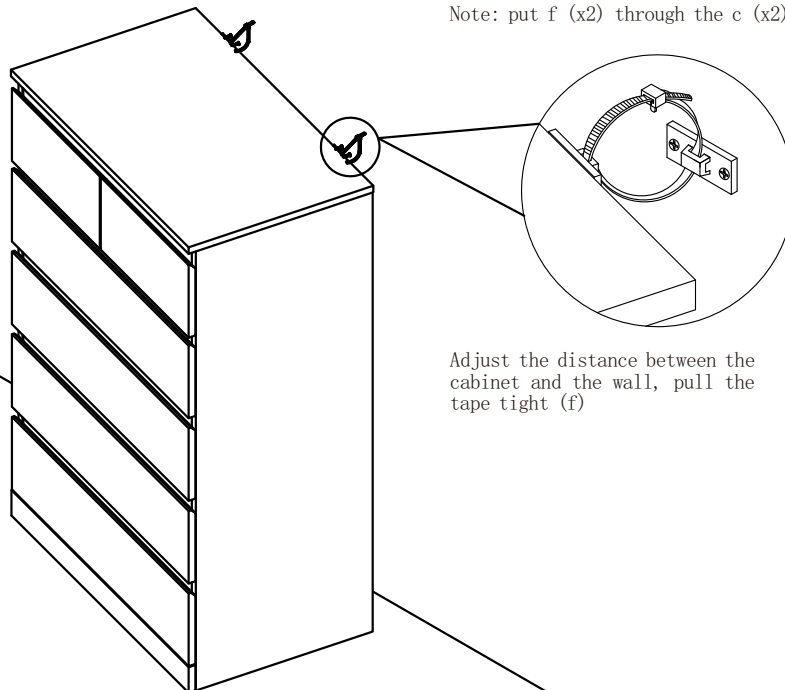
Step 13



Step 14

Note: According to the installation in the top plate C corresponding to the location of the hole in the wall, and tap into dx4, and then screw into bx4.

Step 15



Step 16

