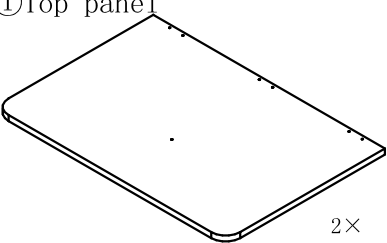
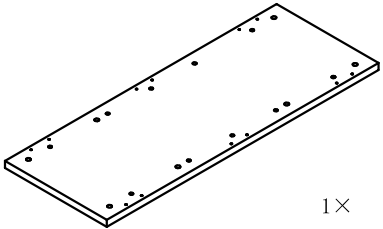
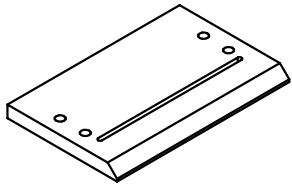
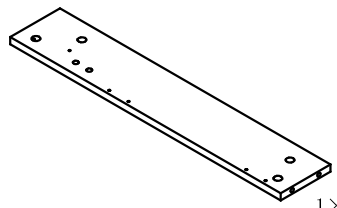
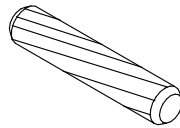
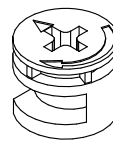
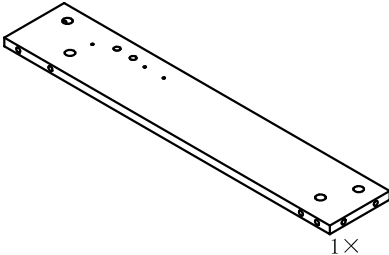
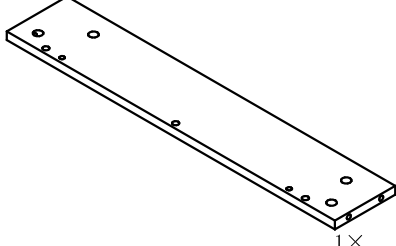
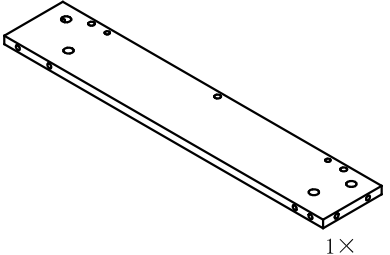
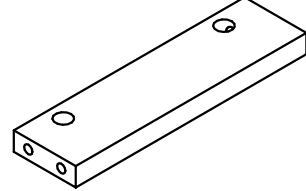
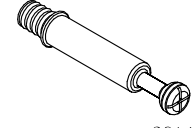

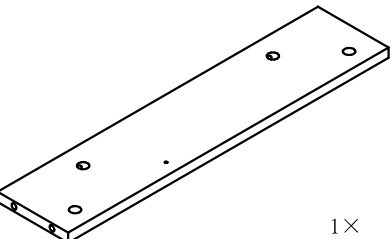
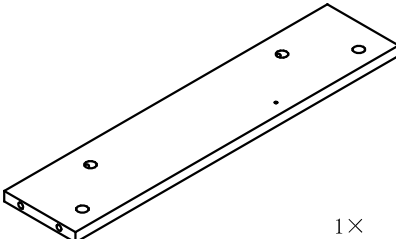
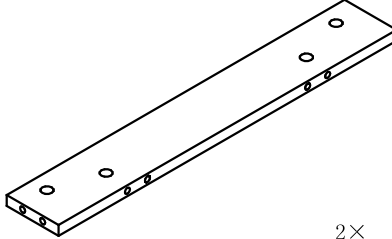
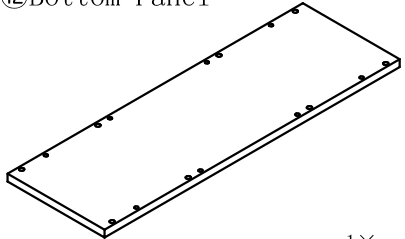
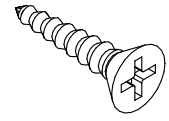
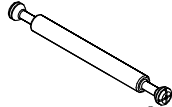
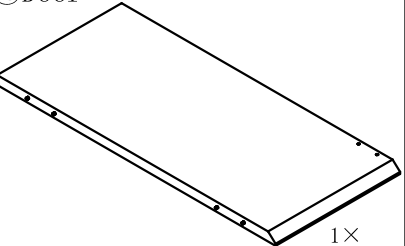
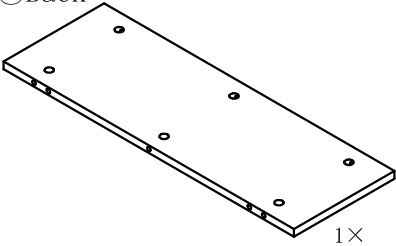
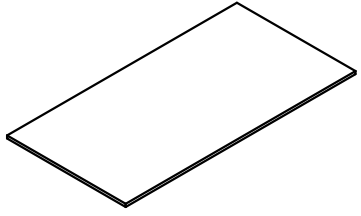
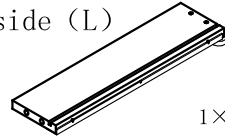
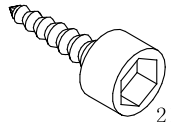
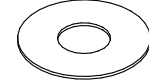
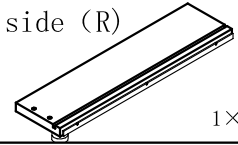
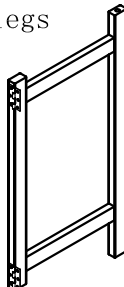
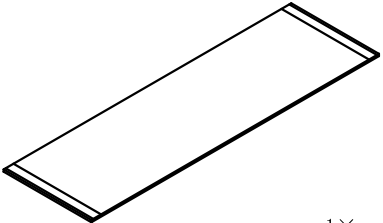
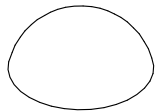
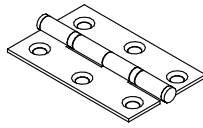
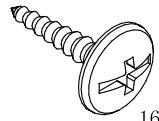
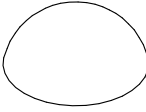
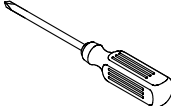
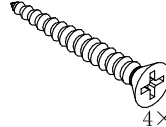
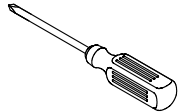
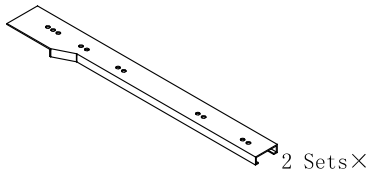
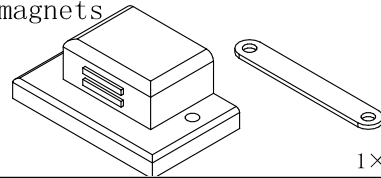


| | | | | | |
|--|---|--|--|--|---|
| <p>① Top panel</p>  <p>2×</p> | <p>② Top panel of middle</p>  <p>1×</p> | <p>③ Drawer front</p>  <p>1×</p> | <p>④ Fixed panel 1 (L)</p>  <p>1×</p> | <p>A. Dowel</p>  <p>33×</p> | <p>B. Cam lock</p>  <p>47×</p> |
| <p>⑤ Fixed panel 1 (R)</p>  <p>1×</p> | <p>⑥ Fixed panel 2 (R)</p>  <p>1×</p> | <p>⑦ Fixed panel 2 (L)</p>  <p>1×</p> | <p>⑧ Apron panel</p>  <p>1×</p> | <p>C. Cam pin</p>  <p>29×</p> | <p>D. Cam Cover</p>  <p>44×</p> |
| <p>⑨ Upper junction panel (L)</p>  <p>1×</p> | <p>⑩ Upper junction panel (R)</p>  <p>1×</p> | <p>⑪ Under junction panel</p>  <p>2×</p> | <p>⑫ Bottom Panel</p>  <p>1×</p> | <p>E. Wood Screw (3*15)</p>  <p>72×</p> | <p>F. Double-thread screw</p>  <p>8×</p> |
| <p>⑬ Door</p>  <p>1×</p> | <p>⑭ Back</p>  <p>1×</p> | <p>⑮ Drawer bottom</p>  <p>1×</p> | <p>⑯ Drawer side (L)</p>  <p>1×</p> | <p>G. Socket Head Cap Screw</p>  <p>2×</p> | <p>H. Gasket</p>  <p>2×</p> |
| <p>⑰ Drawer back</p>  <p>1×</p> | <p>⑱ Table legs</p>  <p>2×</p> | <p>⑳ Carpet</p>  <p>1×</p> | <p>㉑ Drawer side (R)</p>  <p>1×</p> | <p>I. Hinge</p>  <p>8×</p> | <p>J. Large flat head self-tapping screw</p>  <p>16×</p> |
| | | | <p>M. Non slip mat</p>  <p>8×</p> | <p>K. Tapping screw (4*35)</p>  <p>4×</p> | <p>L. Castor</p>  <p>4×</p> |
| | | | <p>N. Screw driver</p>  <p>1×</p> | <p>Model : GF686-1408</p> <p>Dimension : 1400W*800D*743H</p> <p>customer service :</p> | |

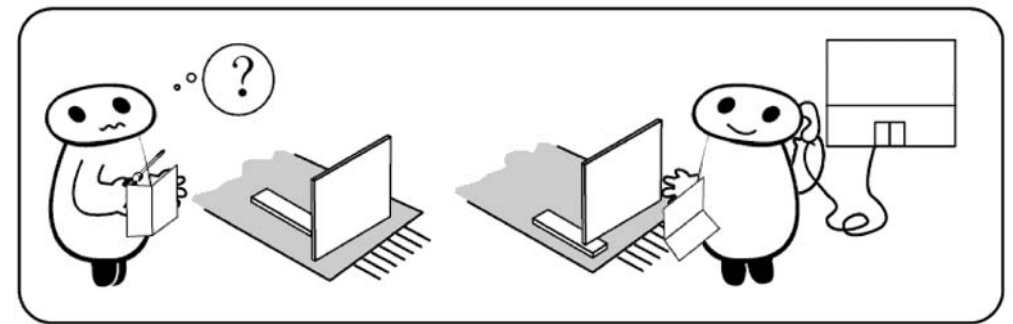
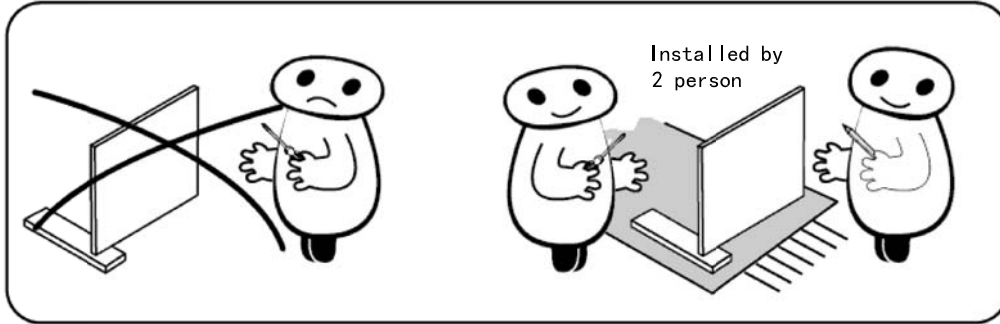
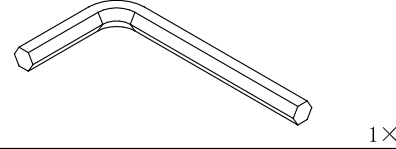
P. Drawer slides



Q. Small magnets

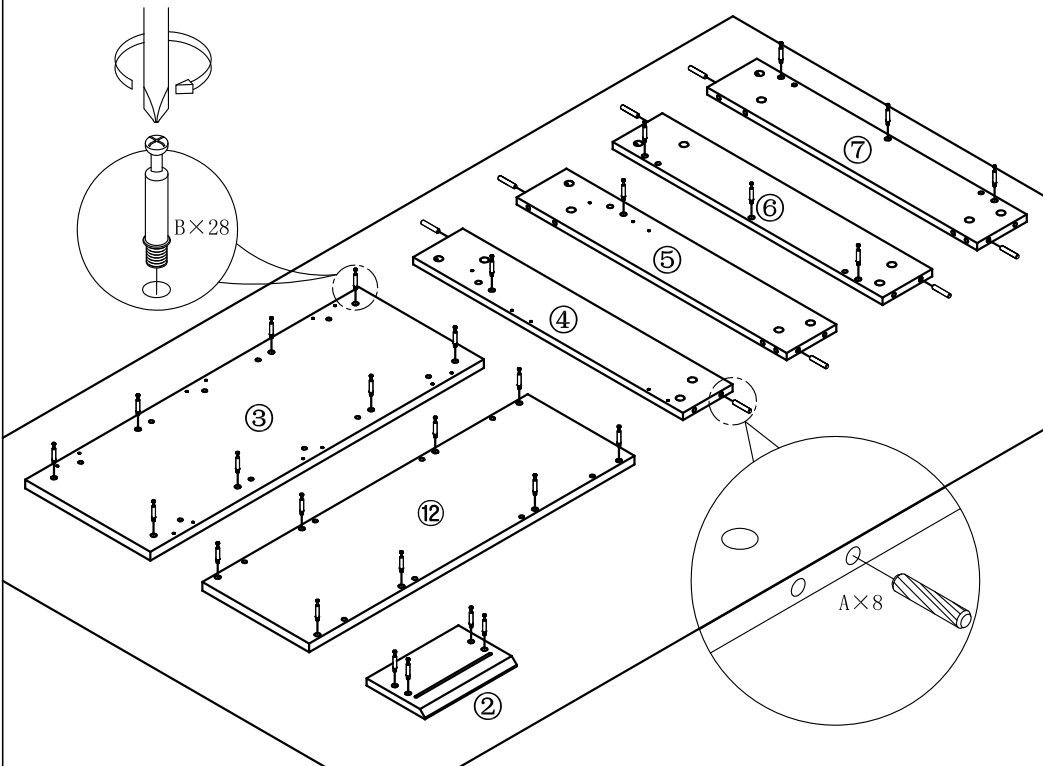


R. Socket head wrench M4

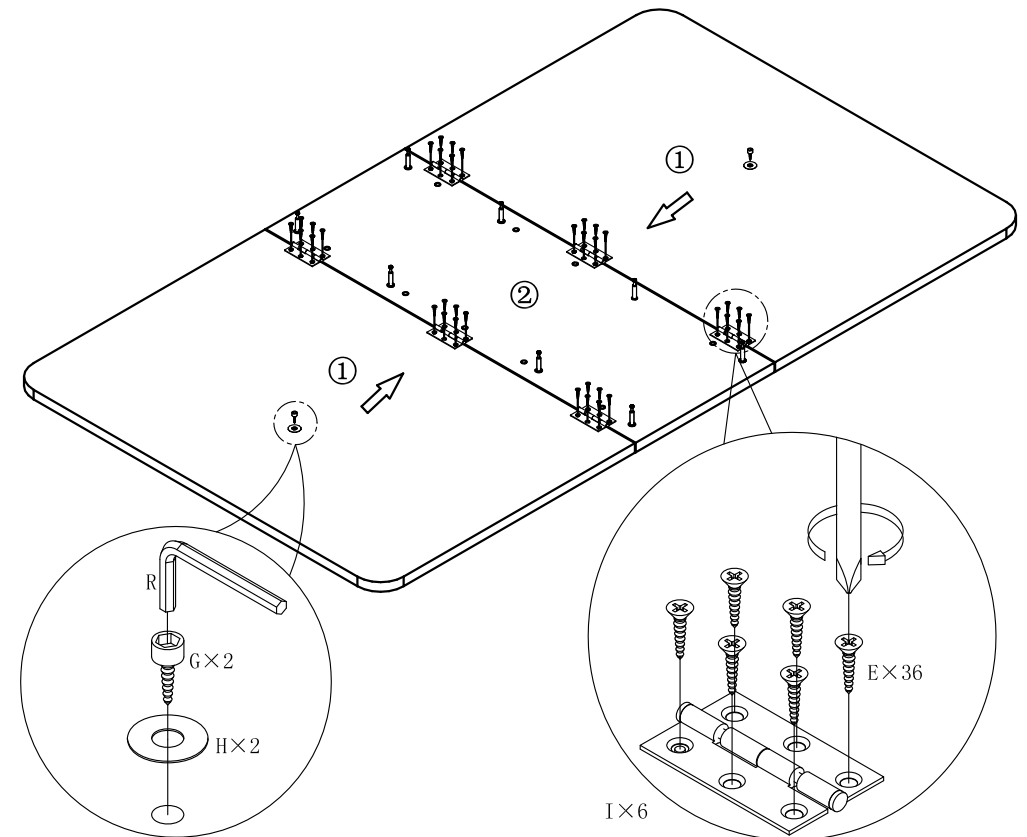


Step 1

Note: Before assembly, please put a blanket or use this packing carton put on ground, avoid acraching or get dirty of spare parts.

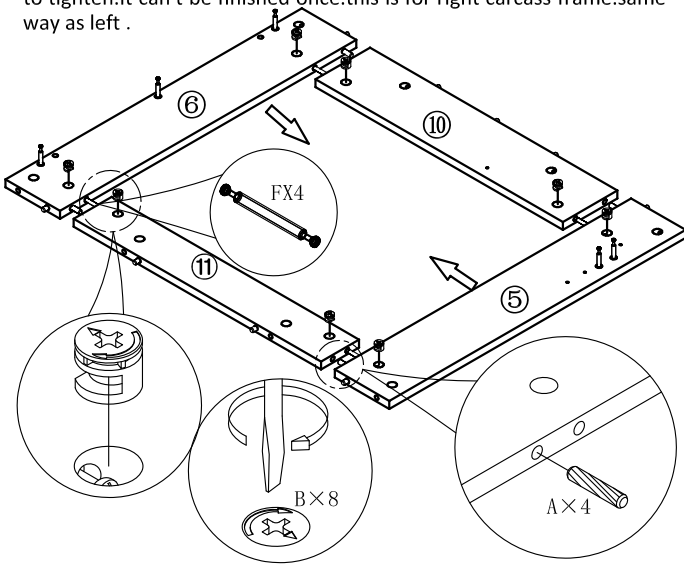


Step 2



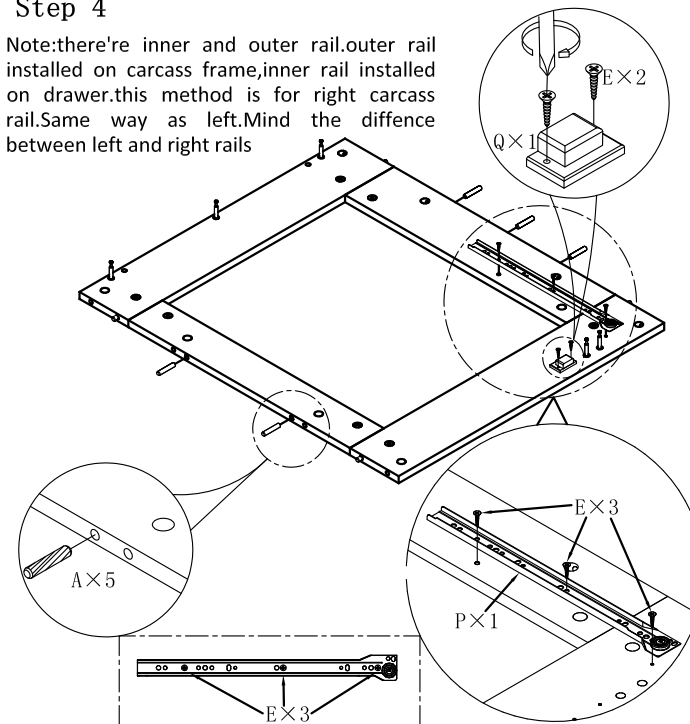
Step 3

1. Use part F(4pcs)and part A(4pcs),insert 2pcs part F to correct hole of panel 10 and panel 11,then installed as graphic shows.the distance between 2 sides of part F shall be same.
2. Note:part B(cam lock)most can screw 30 degree at the beginning,same as the other side. Then back and forth several times to tighten.It can't be finished once.this is for right carcass frame.same way as left .

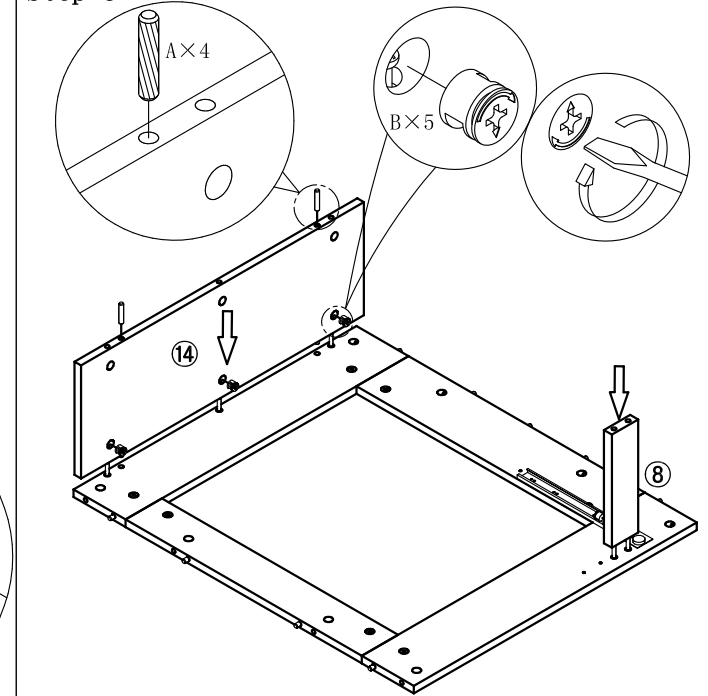


Step 4

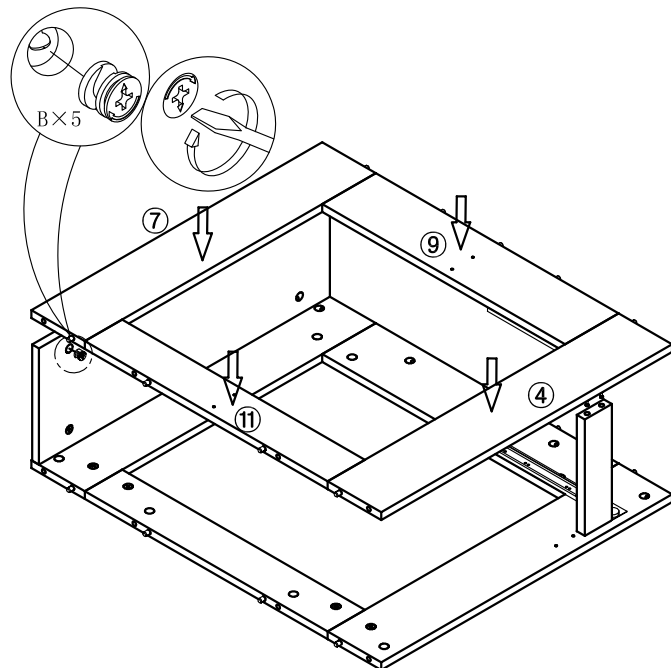
Note:there're inner and outer rail.outer rail installed on carcass frame,inner rail installed on drawer.this method is for right carcass rail.Same way as left.Mind the difference between left and right rails



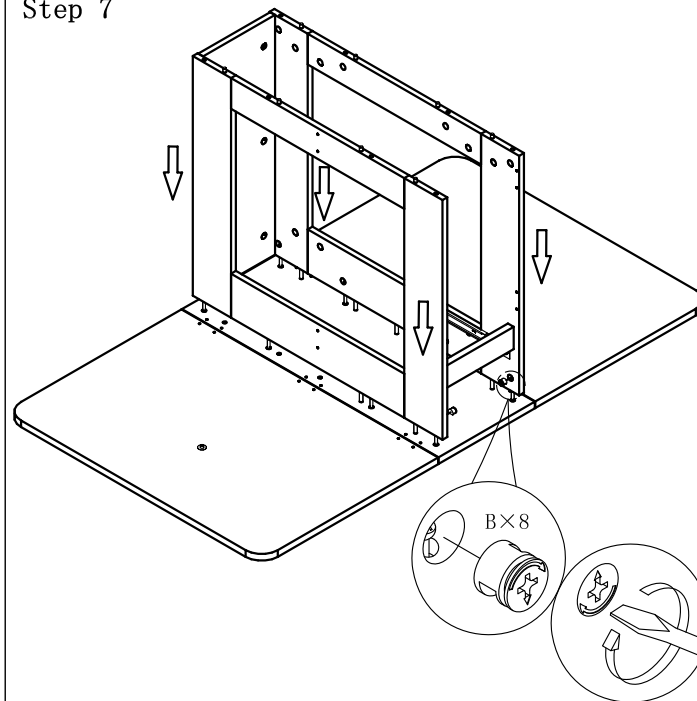
Step 5



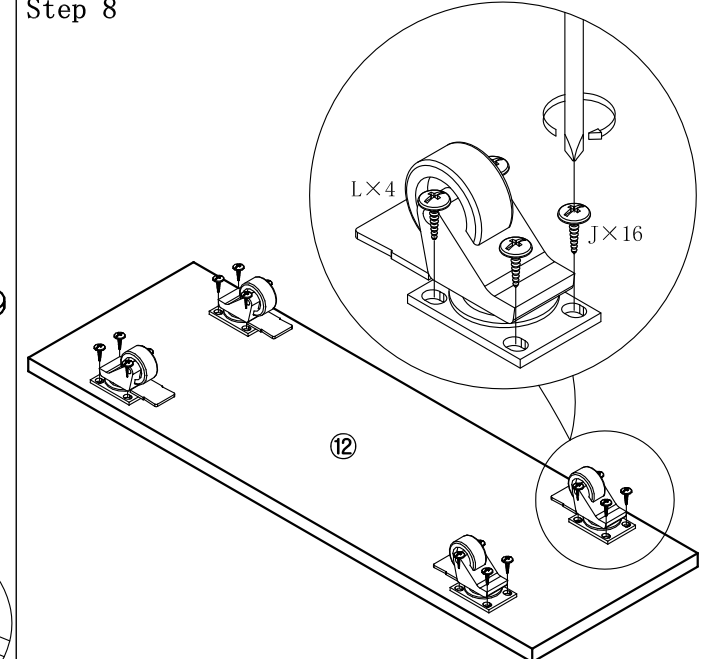
Step 6



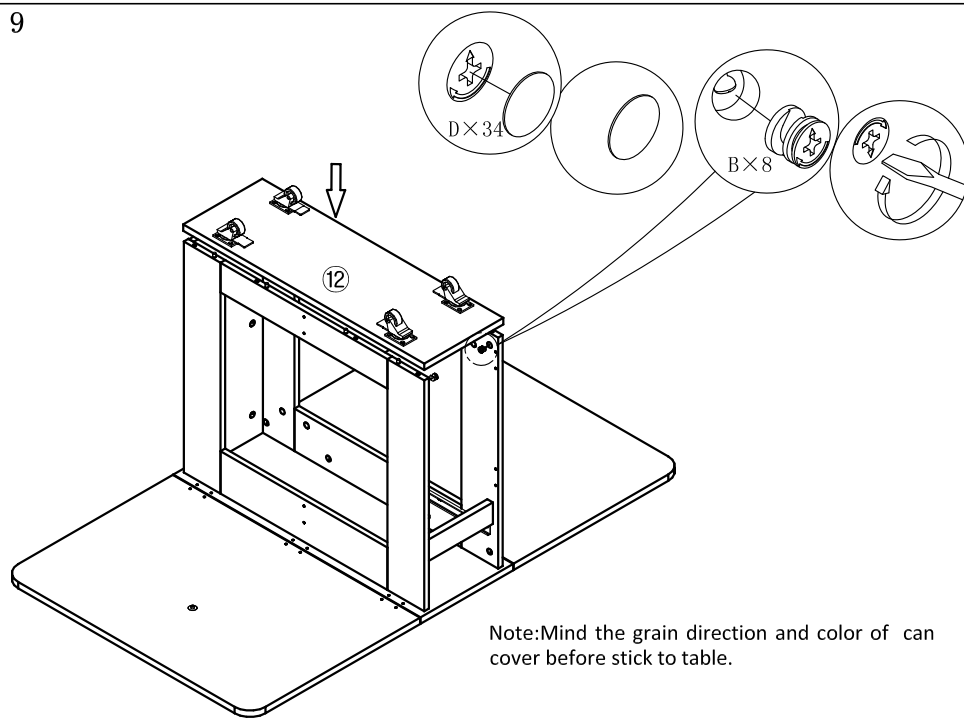
Step 7



Step 8

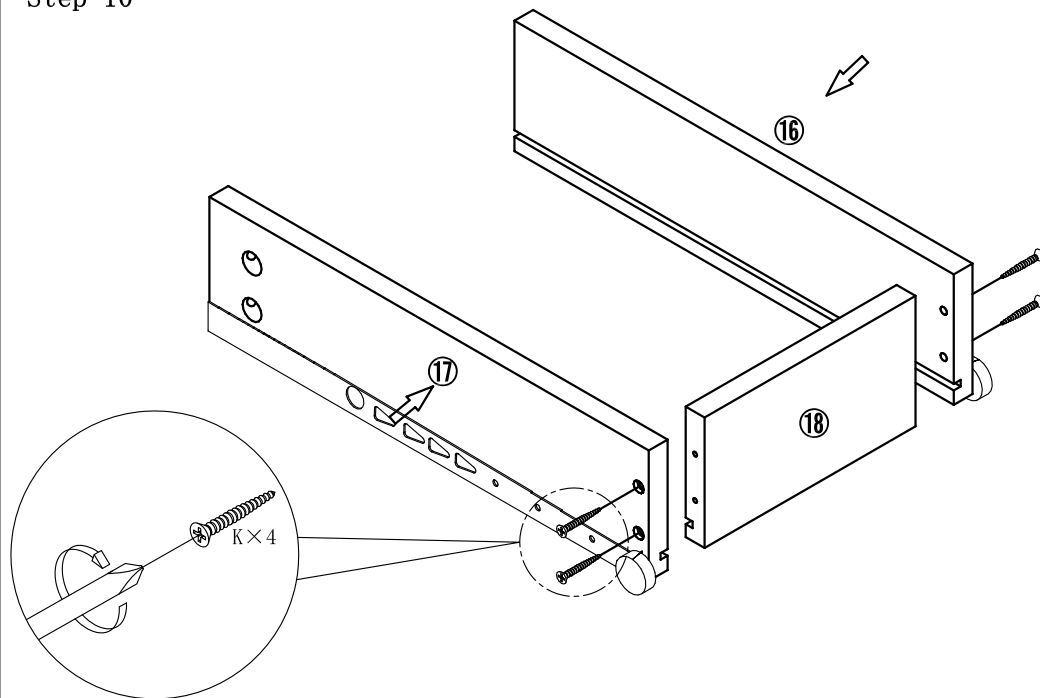


Step 9

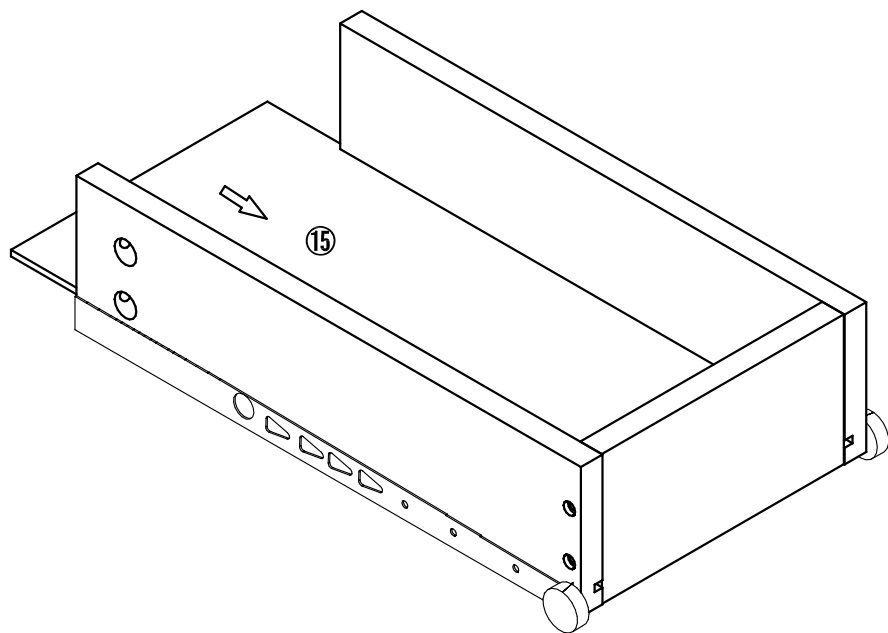


Note: Mind the grain direction and color of can cover before stick to table.

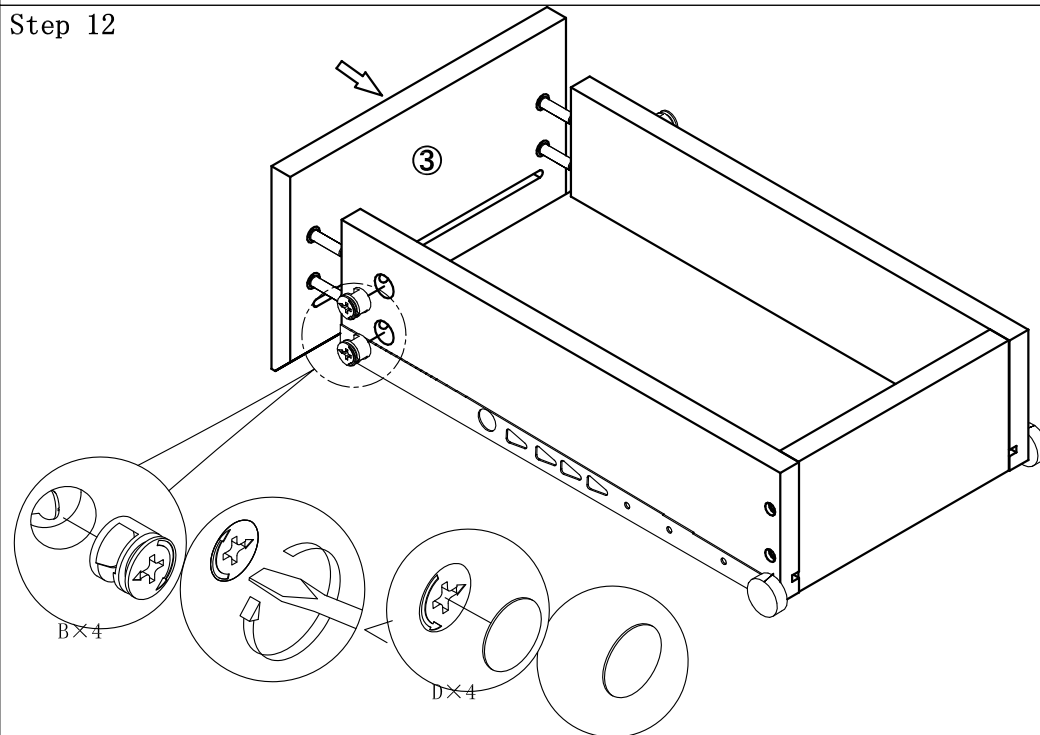
Step 10



Step 11

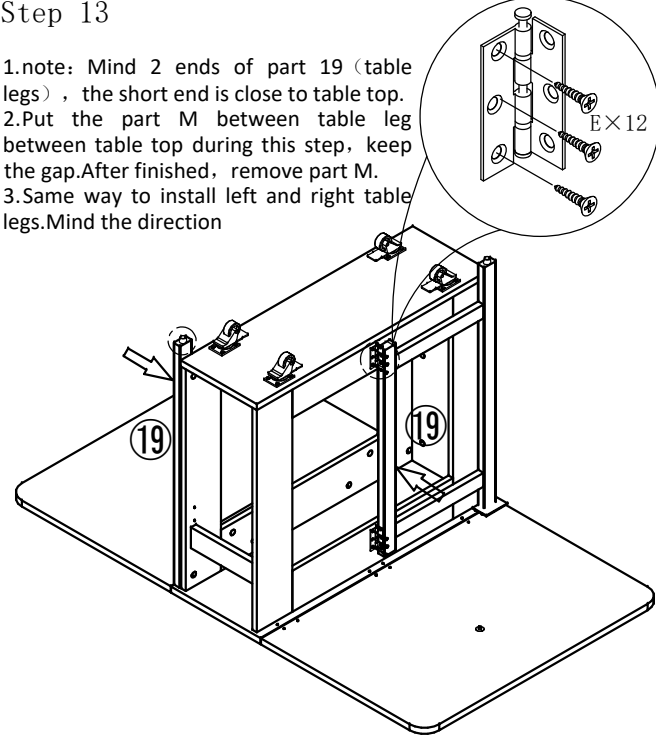


Step 12

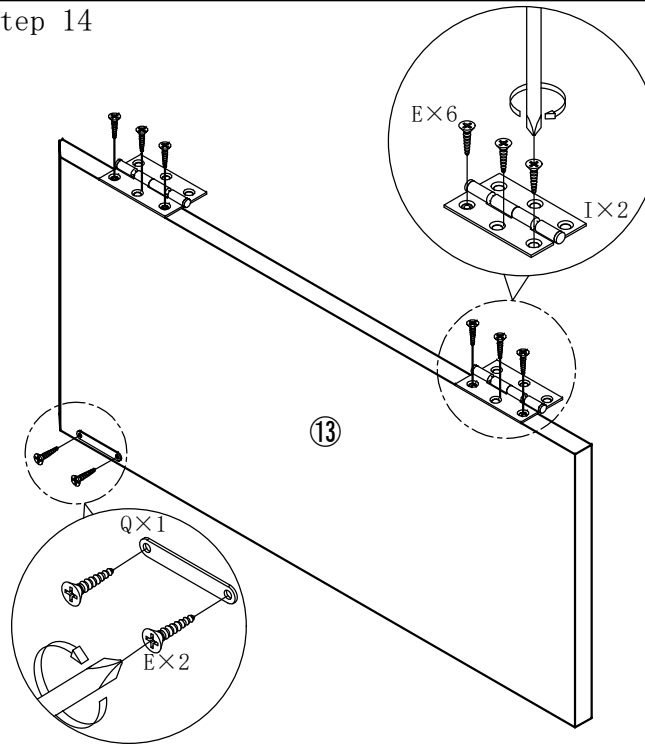


Step 13

- 1.note: Mind 2 ends of part 19 (table legs), the short end is close to table top.
- 2.Put the part M between table leg between table top during this step, keep the gap.After finished, remove part M.
- 3.Same way to install left and right table legs.Mind the direction

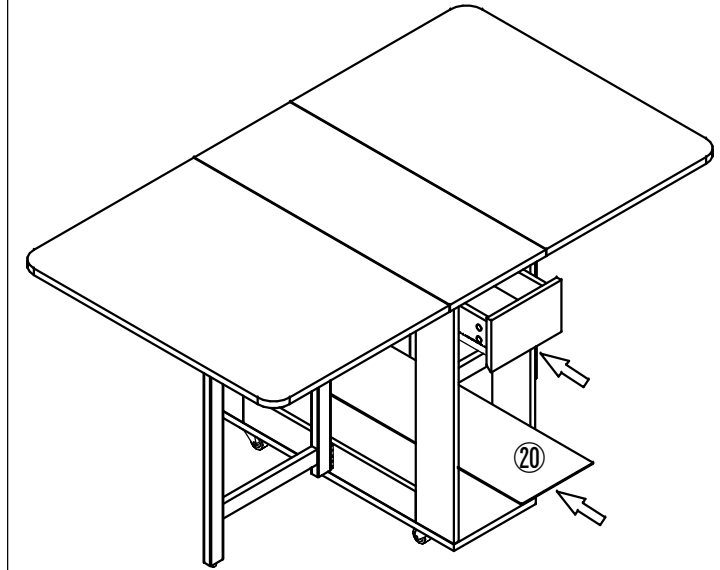


Step 14

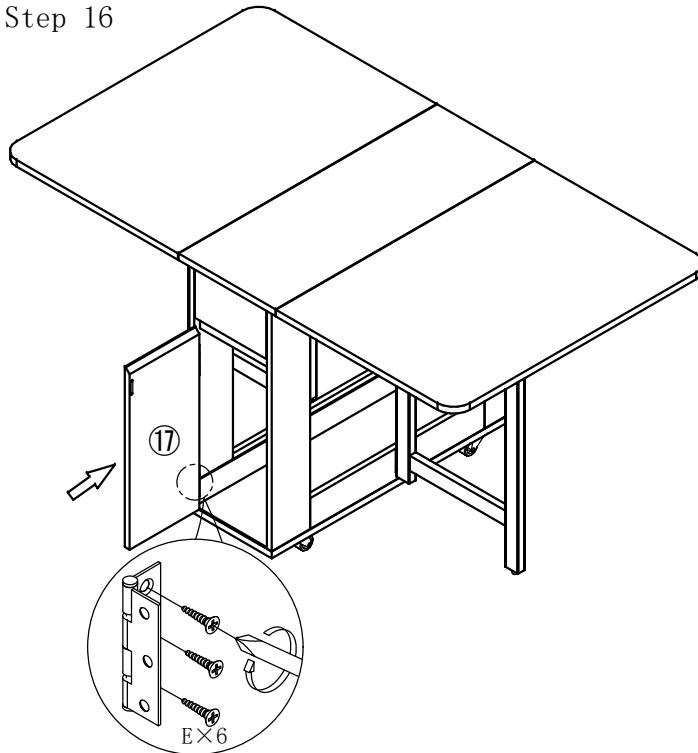


Step 15

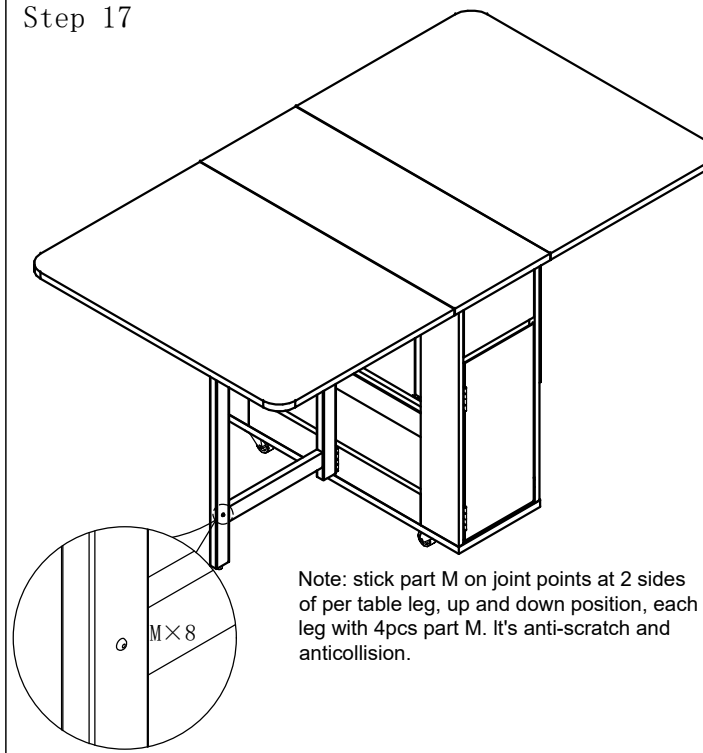
Note:put the part 20(carpet) to the bottom of shelf as photo shows.



Step 16



Step 17



Note: stick part M on joint points at 2 sides of per table leg, up and down position, each leg with 4pcs part M. It's anti-scratch and anticollision.

Step 18

