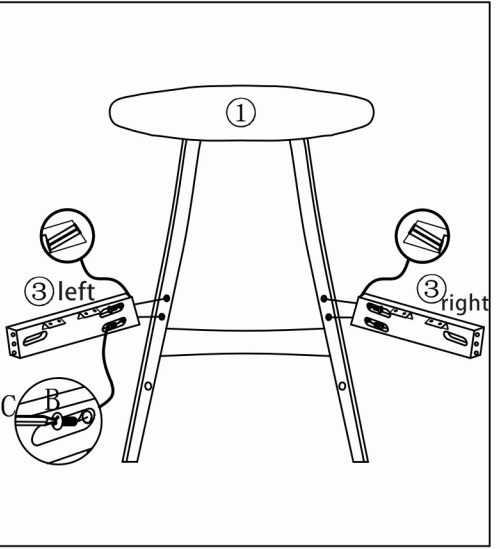


Step 1

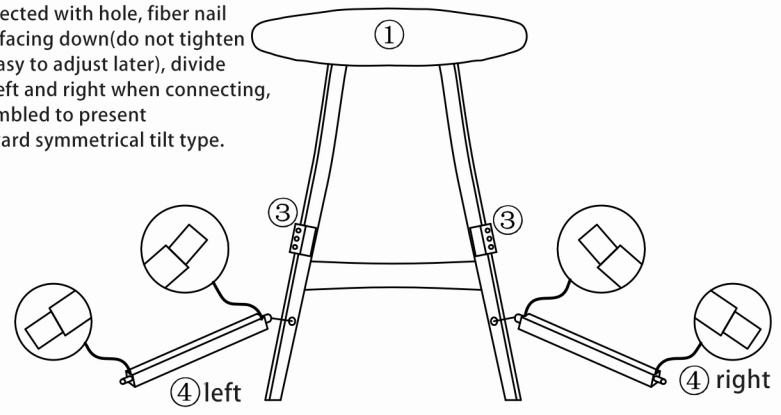
Attention: First of all, put a piece of carton or rug on the floor, and then begin to install the panels, so as to prevent the parts from scratch

2. Put ① - backrest X1 on the blanket or packing carton, ③ upper side pull X2 with B large flat head screws X4 and ① - backrest X1 connection (do not tighten for easy to adjust later), divide the left and right when connecting, (first compare the interface whether to fit before the screwing, assembled to present outward symmetrical tilt type)



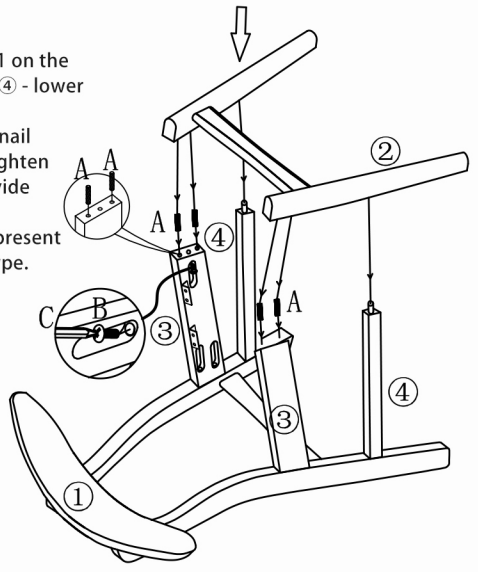
Step 2

Note: 1. Put ① - backrest X1 on the blanket or packing carton, ④ - lower side pulling bar X2 tenon connected with hole, fiber nail hole facing down (do not tighten for easy to adjust later), divide the left and right when connecting, assembled to present outward symmetrical tilt type.



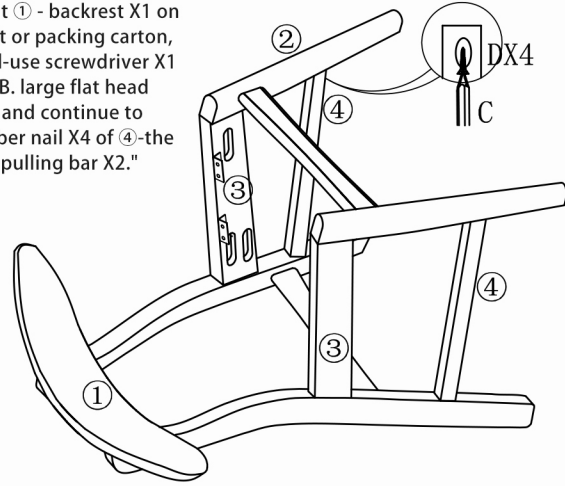
Step 3

Note: 1. Put ① - backrest X1 on the blanket or packing carton, ④ - lower side pulling bar X2 tenon connected with hole, fiber nail hole facing down (do not tighten for easy to adjust later), divide the left and right when connecting, assembled to present outward symmetrical tilt type.



Step 4

Note: 1. Put ① - backrest X1 on the blanket or packing carton, Use C. dual-use screwdriver X1 to tighten B. large flat head screws X4, and continue to screw D. fiber nail X4 of ④ - the lower side pulling bar X2."



Model

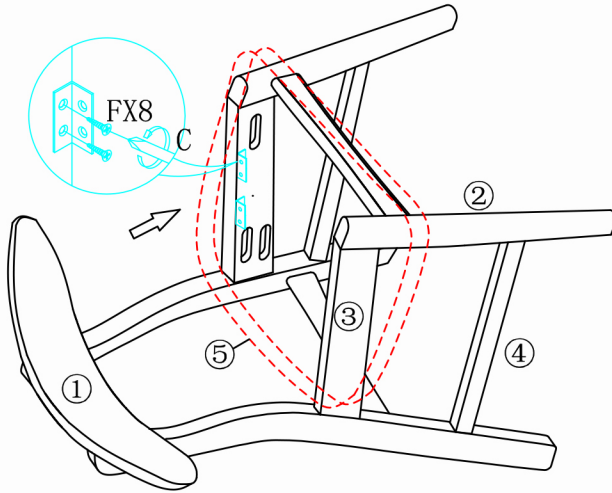
GM5110

Name

Chair

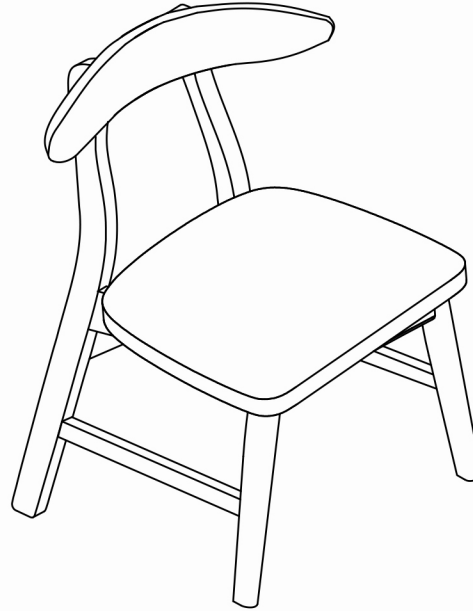
Step 5

Note: 1. Put ① - backrest X1 on the blanket or packing carton, use F. fiber nail X8 to lock ⑤ - sit panel X1 connecting with ③ - the upper side pulling bar (Note: the corner connector according to the picture, locking fiber nails should be vertical without beveled corners).



Step 6

Note: 1. Hold the table upright, put it on a flat floor, and organize and clean the blanket or packing carton well.



Model	GM5110
Name	Chair