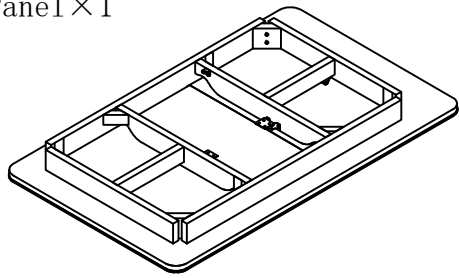


①--Panel×1



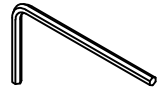
②--Abutment footh×4



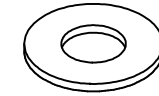
A. Scrwh×8



B. Inner hexagon spanner×1



C. Flat gasketh×8

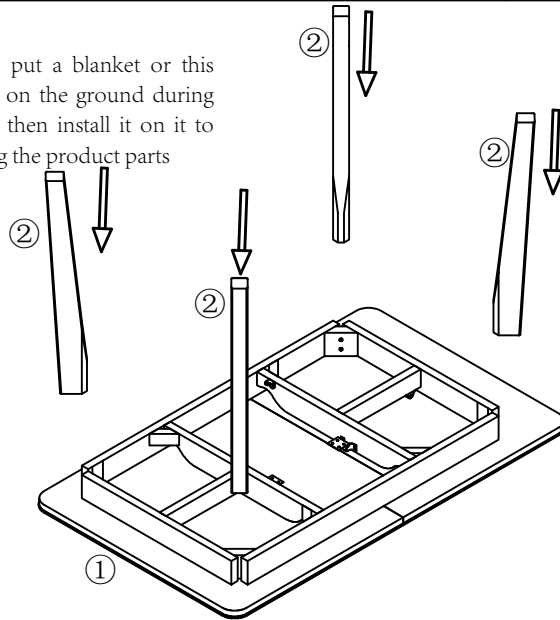


D. Spring washerh ×8



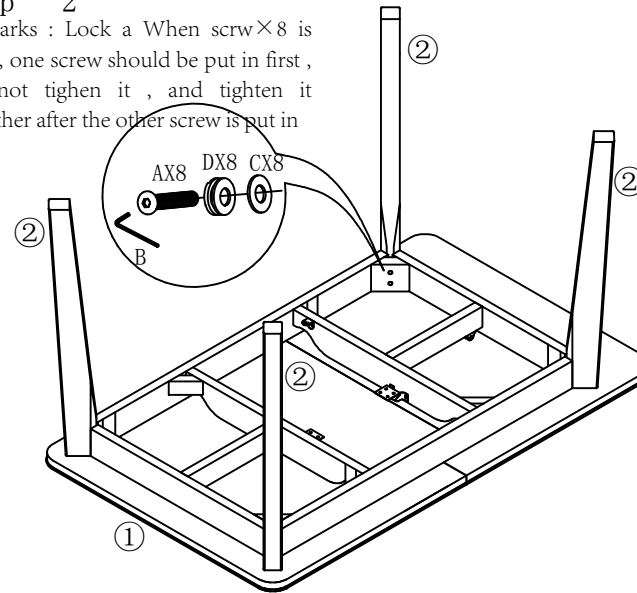
Step 1

Remarks: please put a blanket or this packing carton on the ground during installation, and then install it on it to avoid scratching the product parts

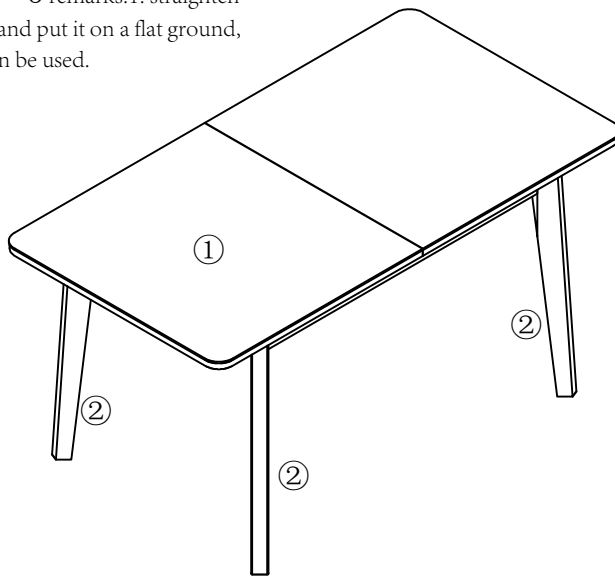


Step 2

Remarks : Lock a When scrw×8 is used, one screw should be put in first , do not tighen it , and tighen it together after the other screw is put in

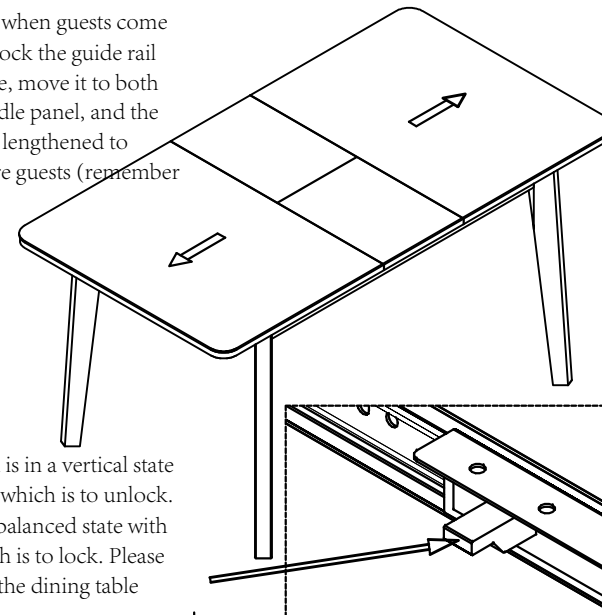


Step 3 remarks: 1. straighten the table and put it on a flat ground, then it can be used.



Step 4

note: when guests come home, step can unlock the guide rail lock under the table, move it to both sides, raise the middle panel, and the dining table can be lengthened to accommodate more guests (remember to lock it).



note: 1. The latch is in a vertical state with the guide rail, which is to unlock.
2. The latch is in a balanced state with the guide rail, which is to lock. Please lock it when using the dining table

Name : Installation diagram

Model : GM212-15