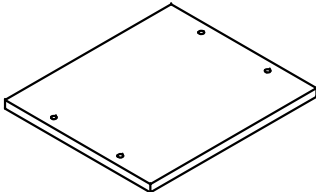
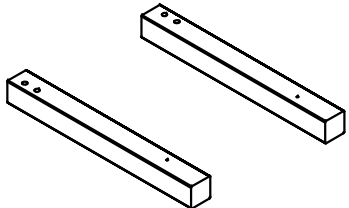
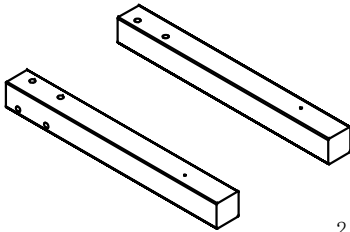
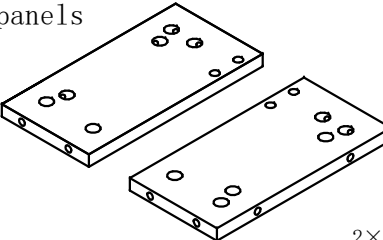
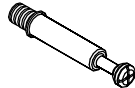
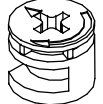
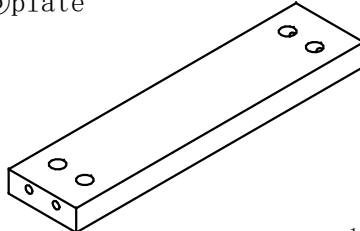
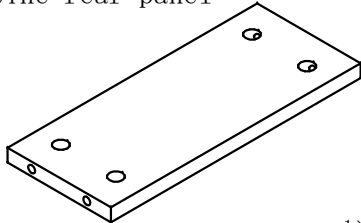
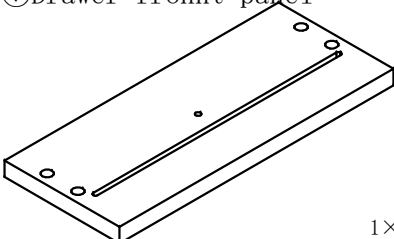
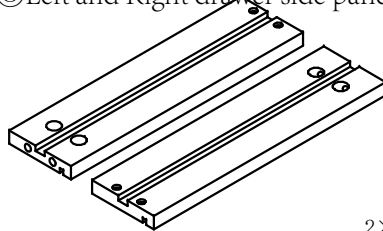
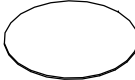

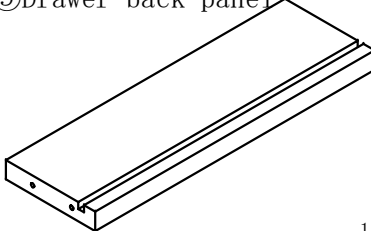
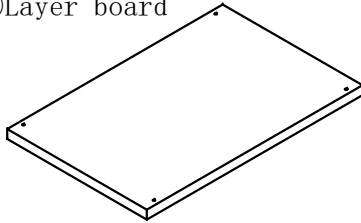
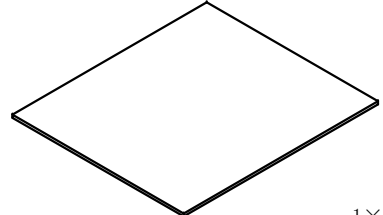
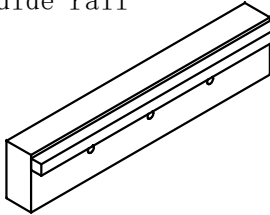
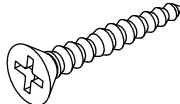
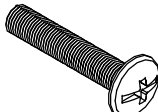
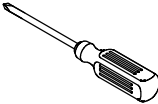
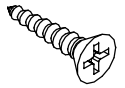
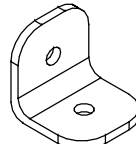
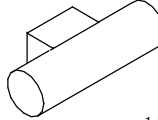

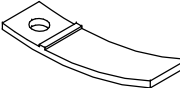
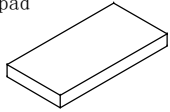
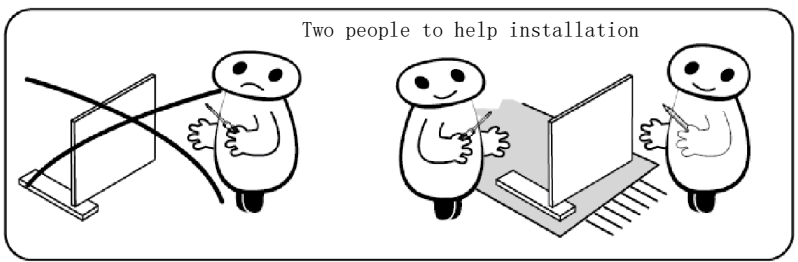
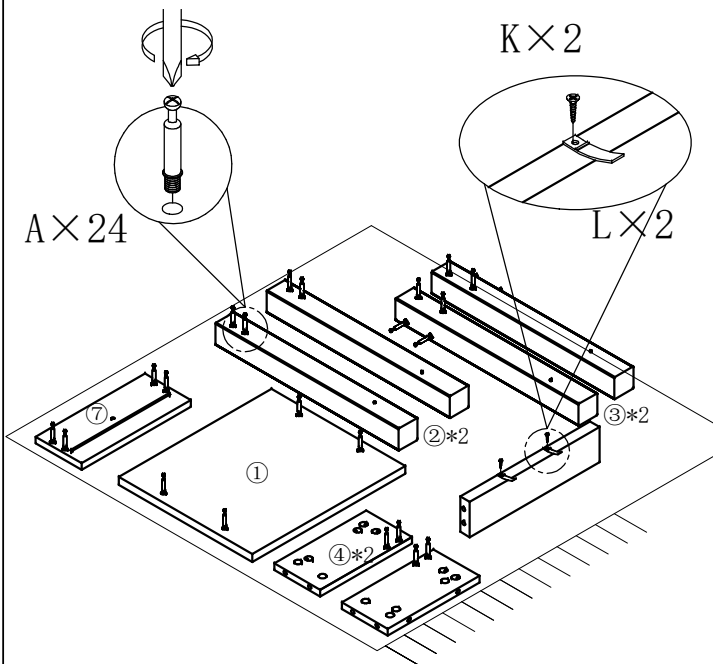


<p>①Desk top panel</p>  <p>1×</p>	<p>②Leg 1</p>  <p>2×</p>	<p>③Leg 2</p>  <p>2×</p>	<p>④Left and Right sides panels</p>  <p>2×</p>	<p>A. Cam Pin</p>  <p>24+1×</p>	<p>B. Cam Lock</p>  <p>24+1×</p>
<p>⑤plate</p>  <p>1×</p>	<p>⑥The rear panel</p>  <p>1×</p>	<p>⑦Drawer front panel</p>  <p>1×</p>	<p>⑧Left and Right drawer side panel</p>  <p>2×</p>	<p>C. Cam Cover</p>  <p>24×</p>	<p>D. Wood screw (4*30)</p>  <p>6×</p>
<p>⑨Drawer back panel</p>  <p>1×</p>	<p>⑩Layer board</p>  <p>1×</p>	<p>⑪ Drawer Bottom Panel</p>  <p>1×</p>	<p>⑫Guide rail</p>  <p>2×</p>	<p>E. Wood screw (4*35)</p>  <p>4×</p>	<p>F. Handle Nails</p>  <p>1×</p>
				<p>G. Screwdriver</p>  <p>1×</p>	<p>H. Wood screw (3*15)</p>  <p>8×</p>
				<p>I. Corner Bracket</p>  <p>4×</p>	<p>J. Handle</p>  <p>1×</p>
				<p>K. Wood screw (3.5*14)</p>  <p>2×</p>	<p>L. shrapnel</p>  <p>2×</p>
<p>M. Self-adhesive pad</p>  <p>4×</p>				<p>Model : GF542-0403</p> <p>Size : 400W*350D*500H</p>	

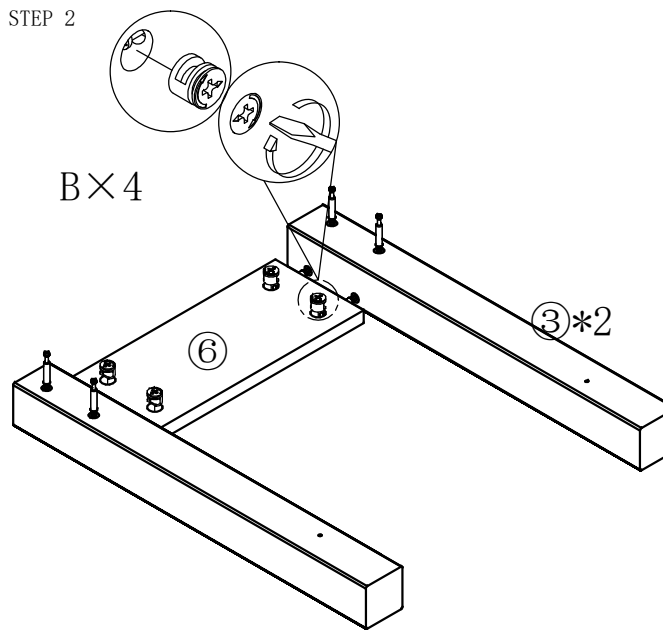


Note: the installation please pad a blanket on the ground or the packing carton, then on the installation, so as not to scratch product parts!

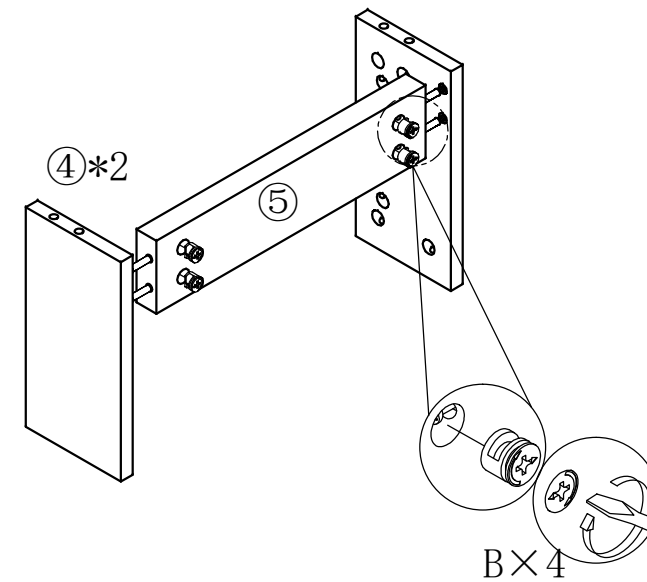
STEP 1



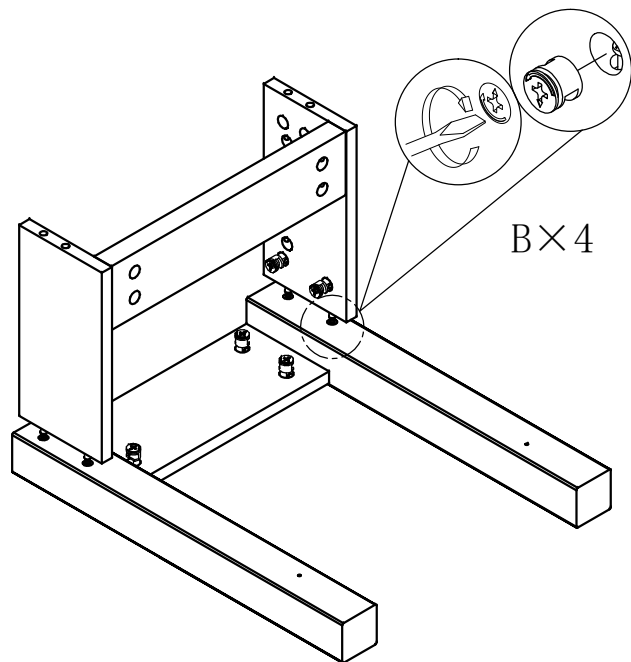
STEP 2



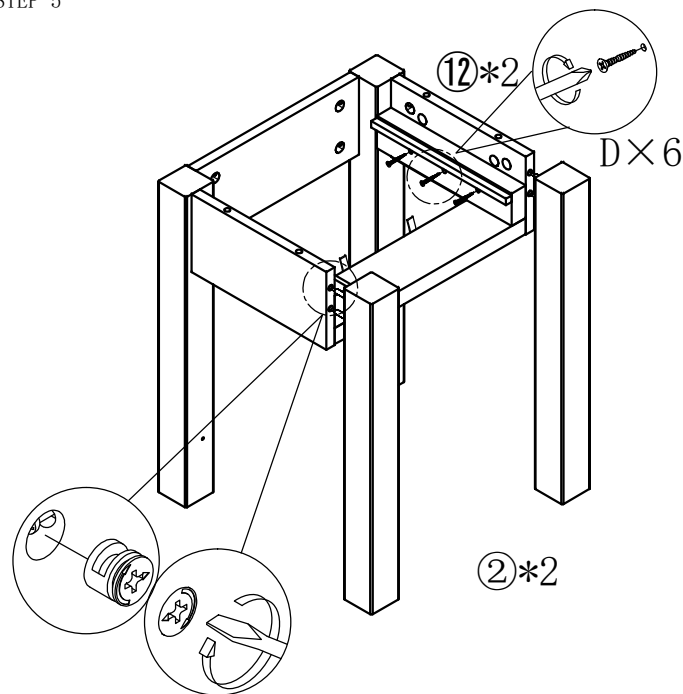
STEP 3



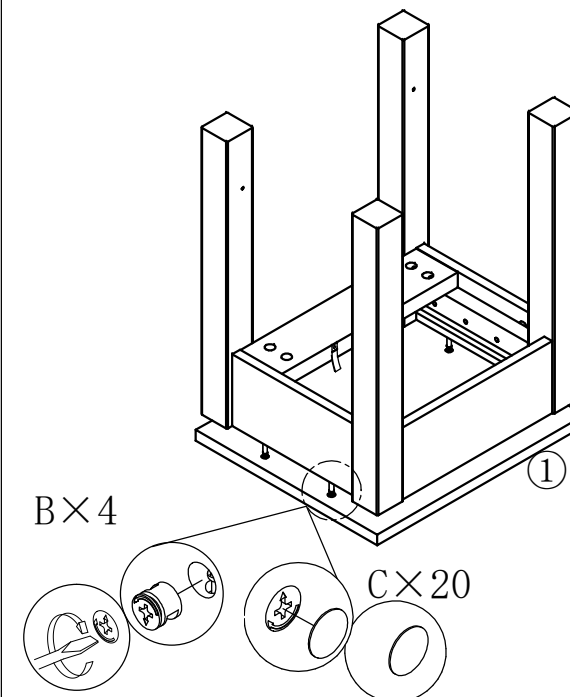
STEP 4



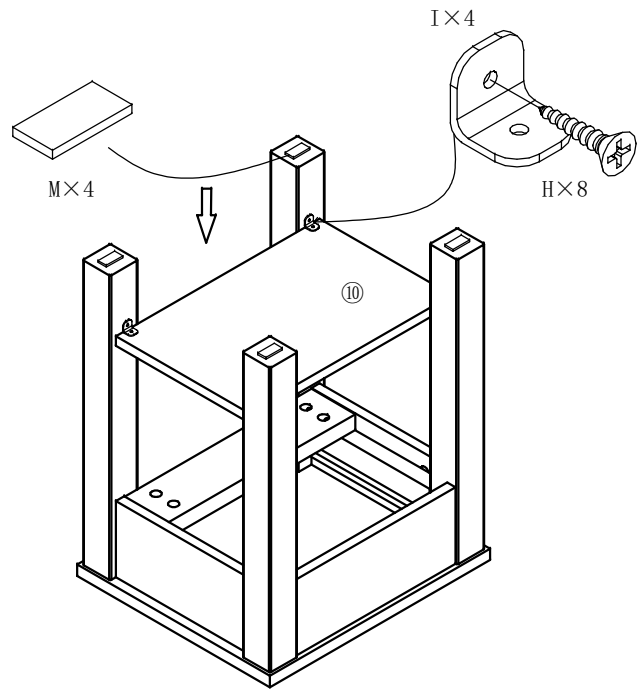
STEP 5



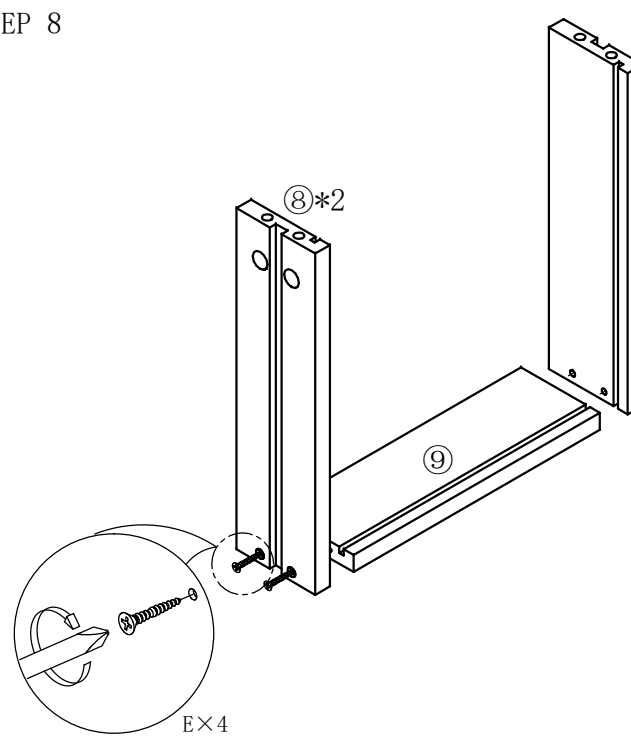
STEP 6



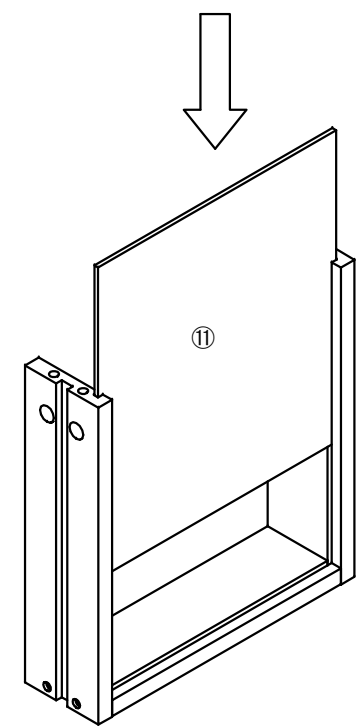
STEP 7



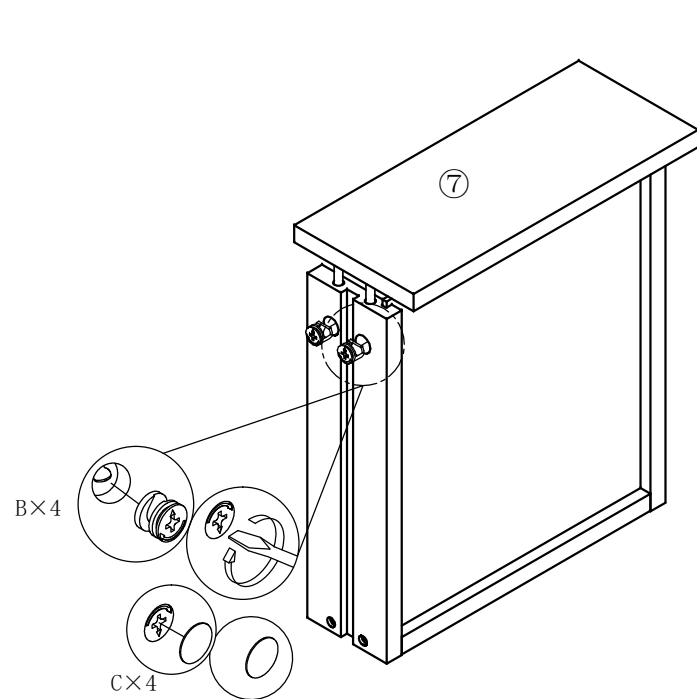
STEP 8



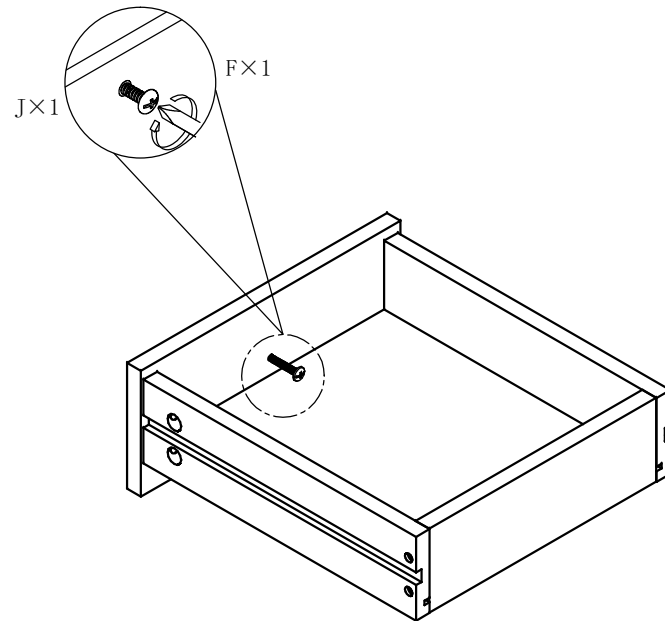
STEP 9



STEP 10



STEP 11



STEP 12

