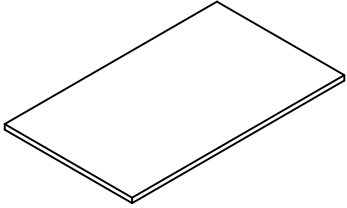
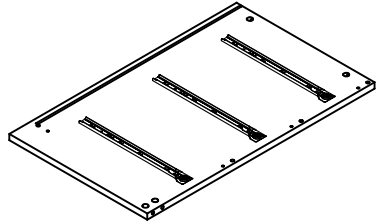
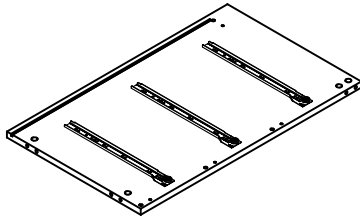
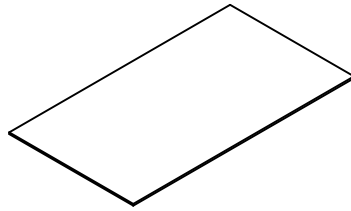
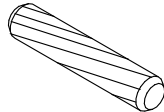

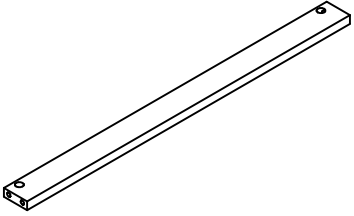
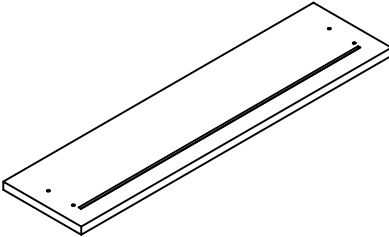
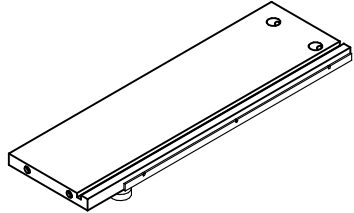
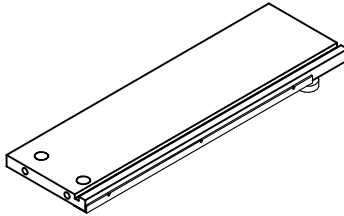
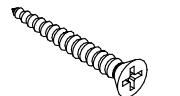
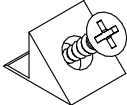
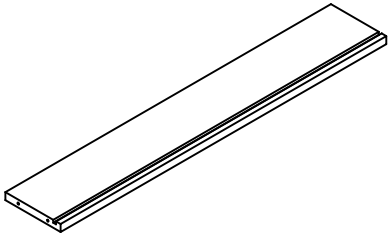
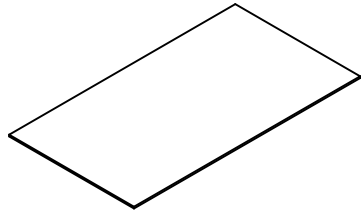
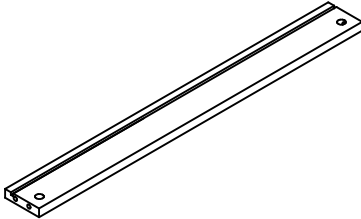
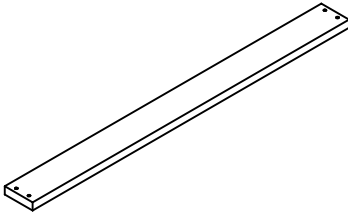


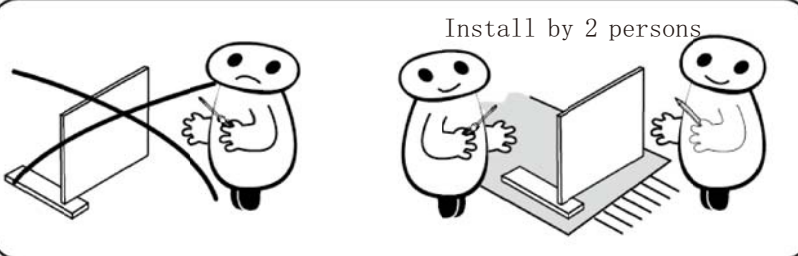
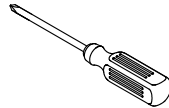
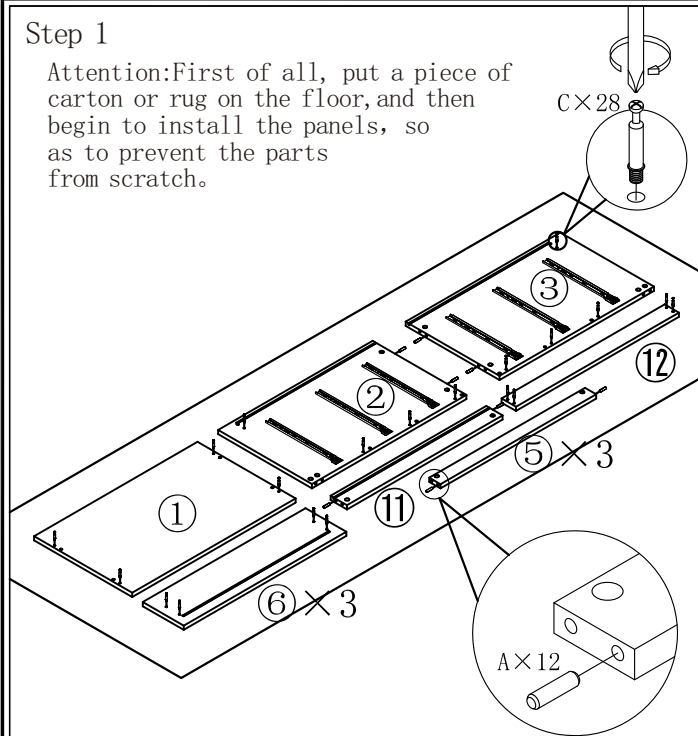


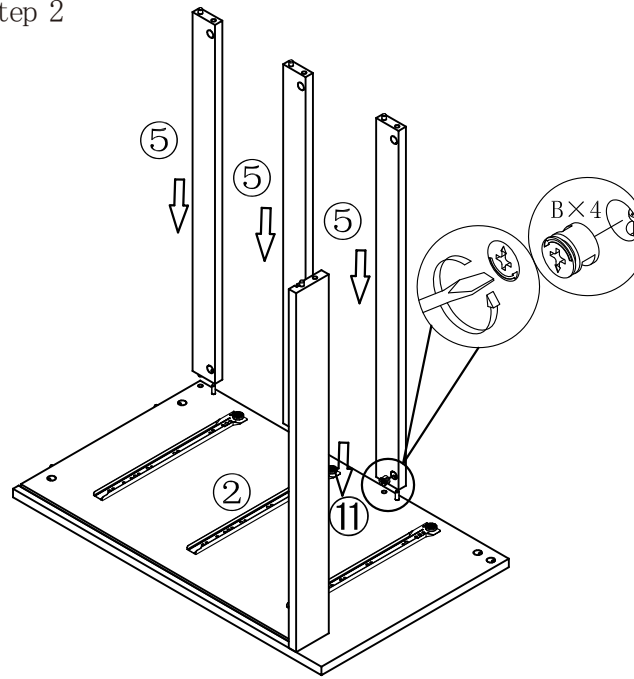
<p>① Top Panel</p>  <p>1×</p>	<p>② Right top Panel</p>  <p>1×</p>	<p>③ Left top Panel</p>  <p>2×</p>	<p>④ Back Panel</p>  <p>1×</p>	<p>A. Dowel</p>  <p>12×</p>	<p>B. Cam Lock</p>  <p>28×</p>				
<p>⑤ Front baffle panel</p>  <p>3×</p>	<p>⑥ Drawer front panel</p>  <p>3×</p>	<p>⑦ Drawer right side panel</p>  <p>3×</p>	<p>⑧ Drawer Left side panel</p>  <p>3×</p>	<p>E. Long pitch self-tapping screw</p>  <p>12×</p>	<p>F. Back panel bracket</p>  <p>8×</p>				
<p>⑨ Drawer back panel</p>  <p>3×</p>	<p>⑩ bottom panel</p>  <p>3×</p>	<p>⑪ Brace</p>  <p>1×</p>	<p>⑫ Apron board</p>  <p>1×</p>	<p>G. Backboard strip</p>  <p>1×</p>	<p>H. Anti-pour hardware package</p>  <p>2×</p>				
<p>Install by 2 persons</p> 				<p>I. Dual-purpose Screwdriver</p>  <p>1×</p>	<table border="1"> <tr> <td>Model</td> <td>GF581-0807</td> </tr> <tr> <td>Size</td> <td>800W*480D*774H</td> </tr> </table>	Model	GF581-0807	Size	800W*480D*774H
Model	GF581-0807								
Size	800W*480D*774H								

Step 1

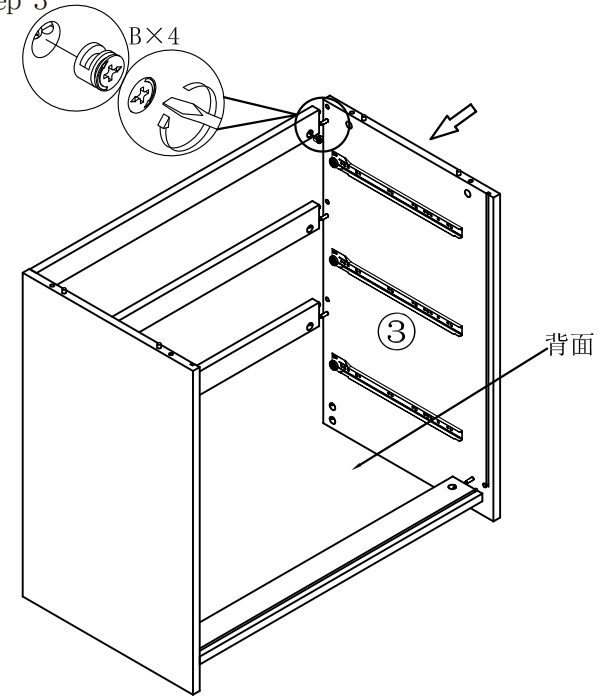
Attention: First of all, put a piece of carton or rug on the floor, and then begin to install the panels, so as to prevent the parts from scratch.



Step 2

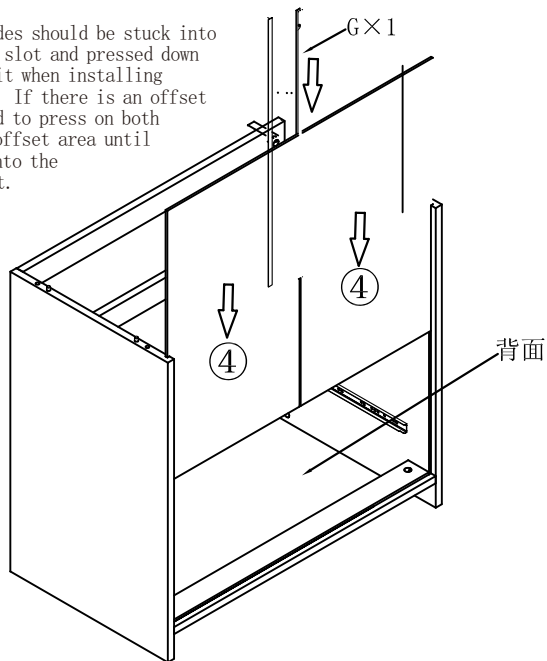


Step 3

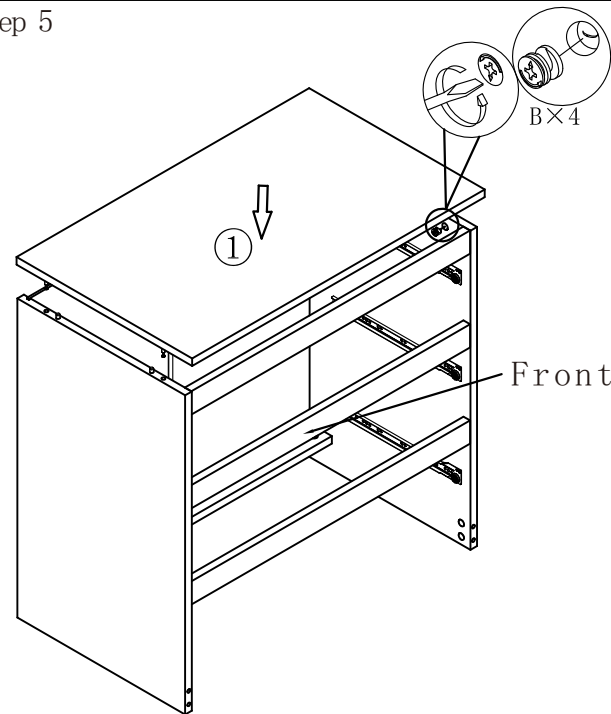


Step 4

Note: Both sides should be stuck into the backplane slot and pressed down slowly along it when installing the backplane. If there is an offset slot, use hand to press on both sides of the offset area until it is stuck into the backplane slot.

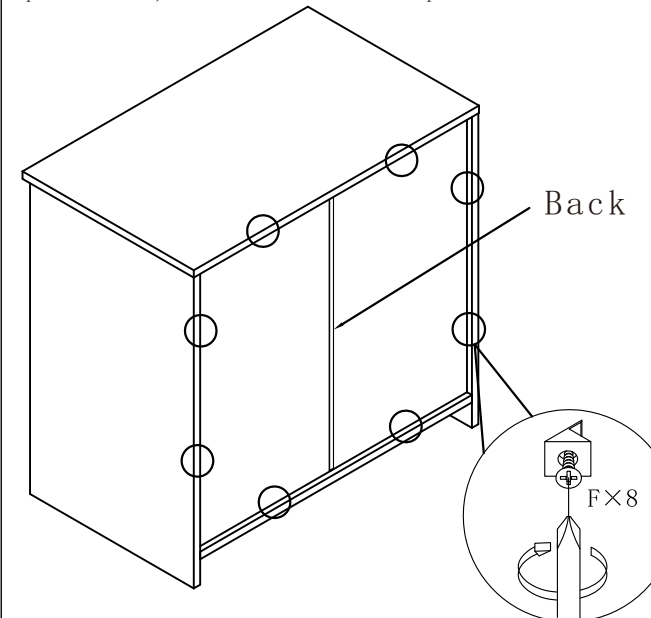


Step 5

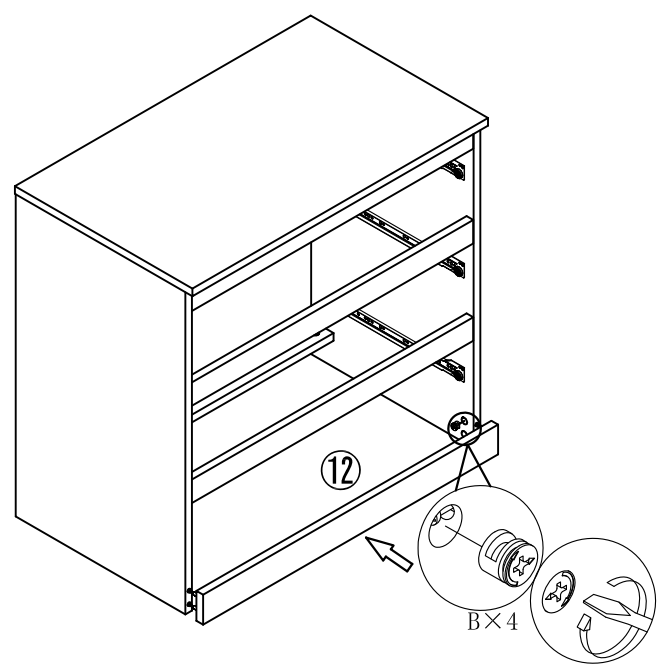


Step 6

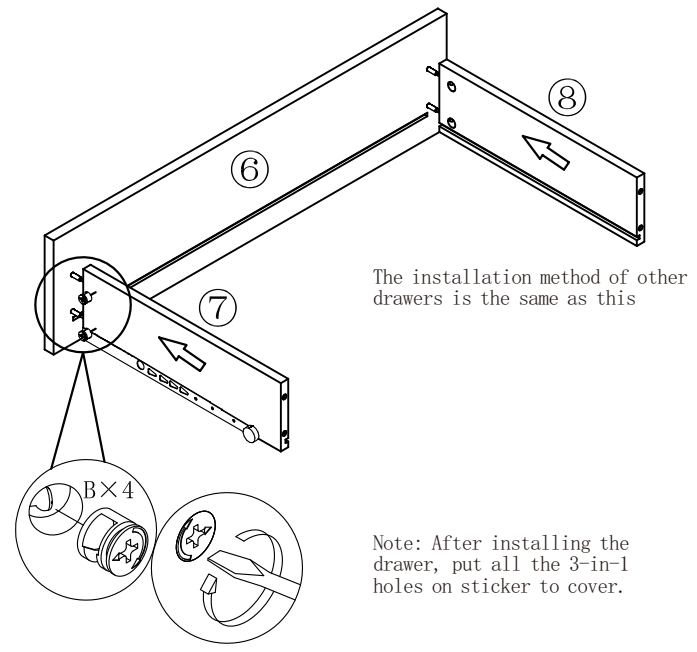
Note: After installing the top panel, you can refer to the drawing of the circle on the diagram when installing the back panel bracket, there is no accurate hole position.



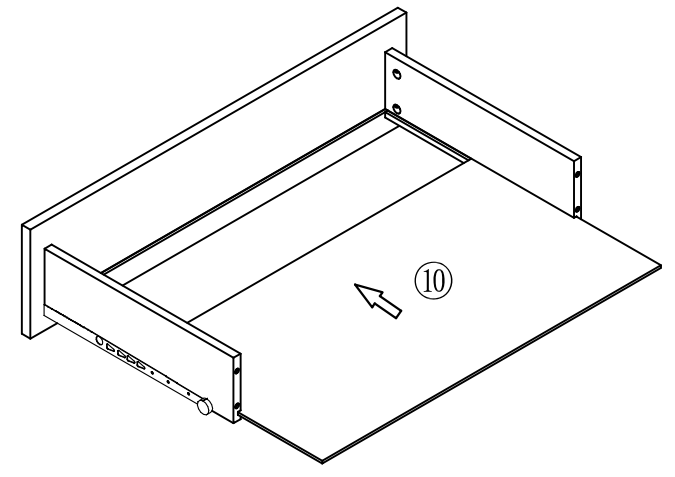
Step 7



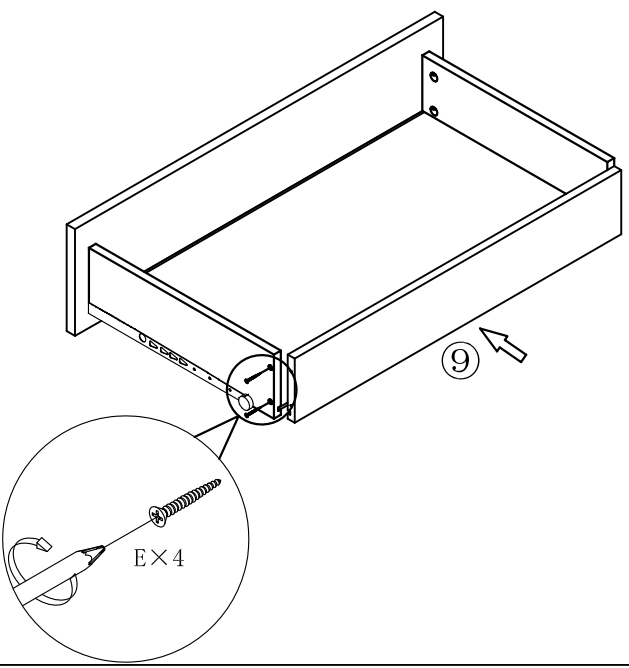
Step 8



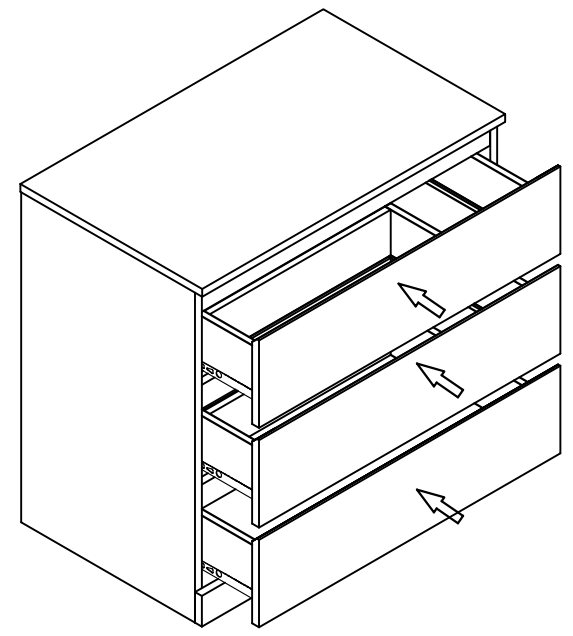
Step 9



Step 10

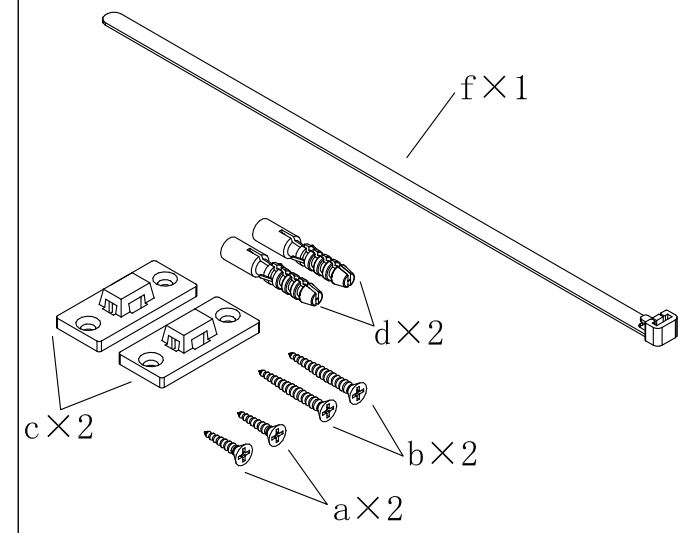


Step 11

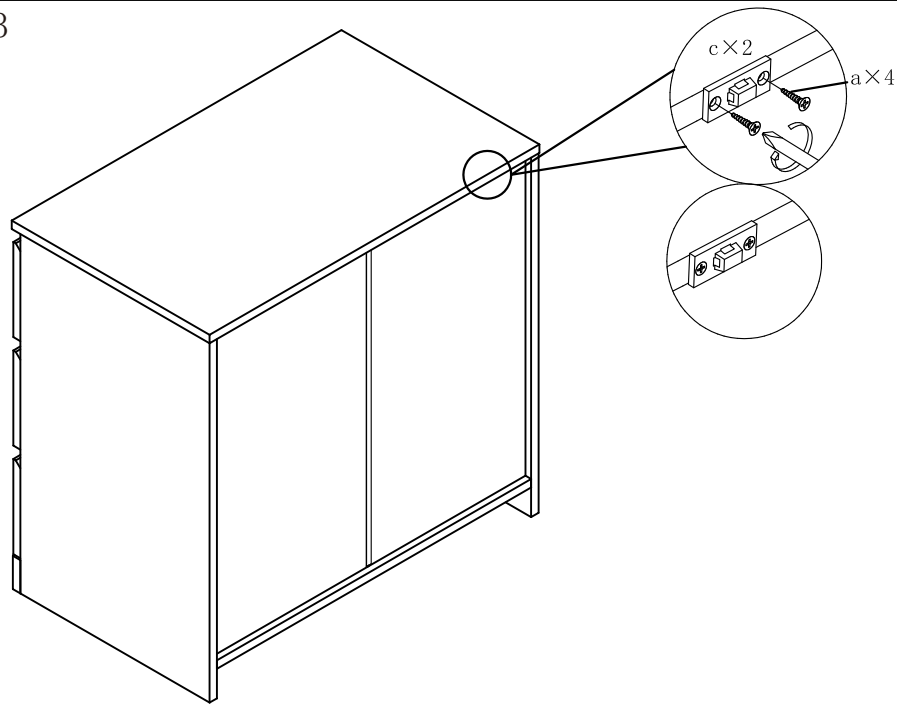


Step 12

Open K (anti-pour hardware package) 2X (the following is the number of single package) in 1 holes on sticker to cover.

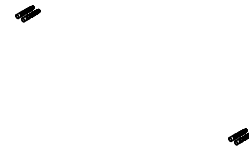


Step 13



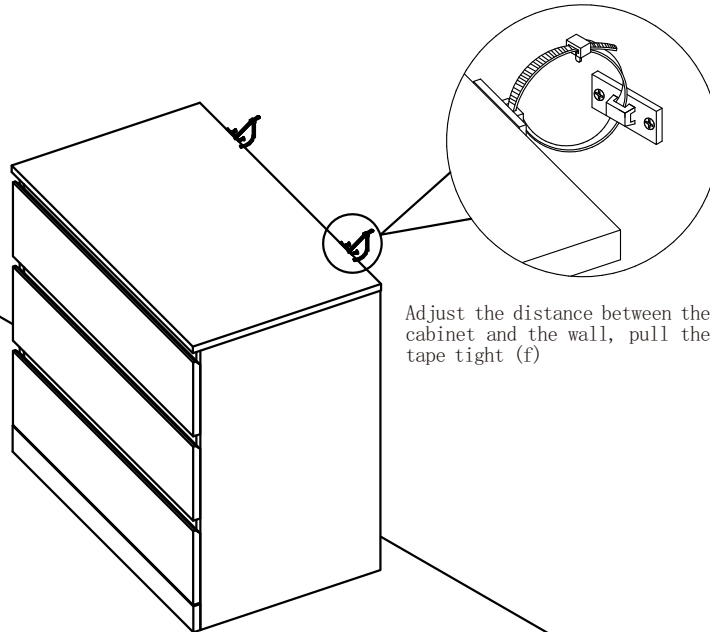
Step 14

Note: According to the installation in the top plate C corresponding to the location of the hole in the wall, and tap into dx4, and then screw into bx4.



Step 15

Note: put f (x2) through the c (x2)



Step 16

