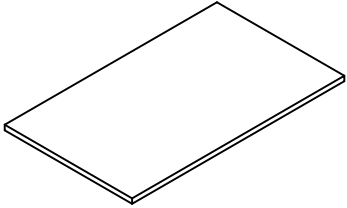
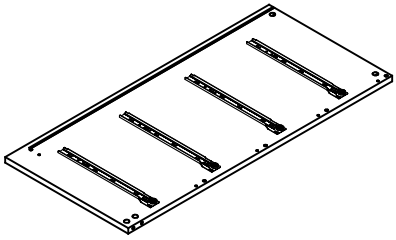
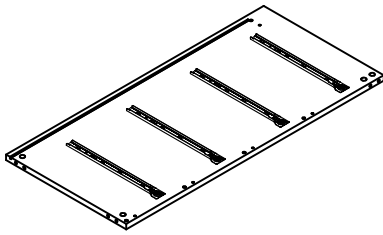
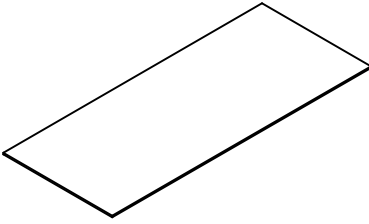
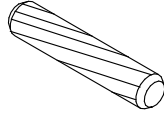

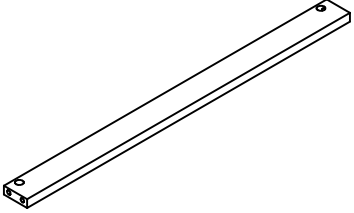
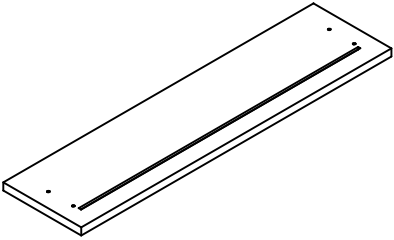
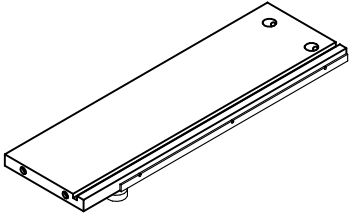
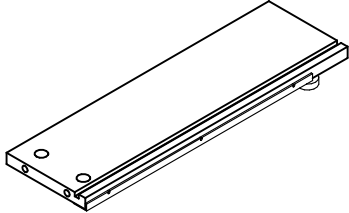

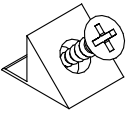
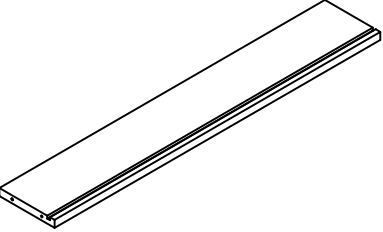
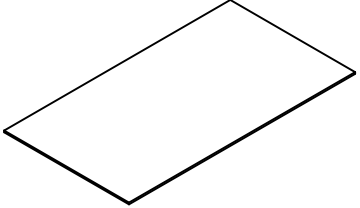
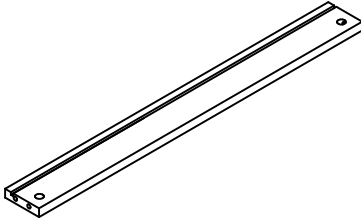
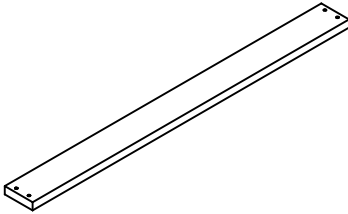


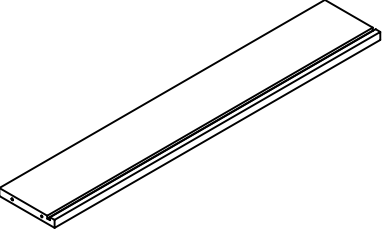
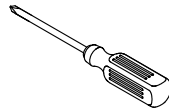
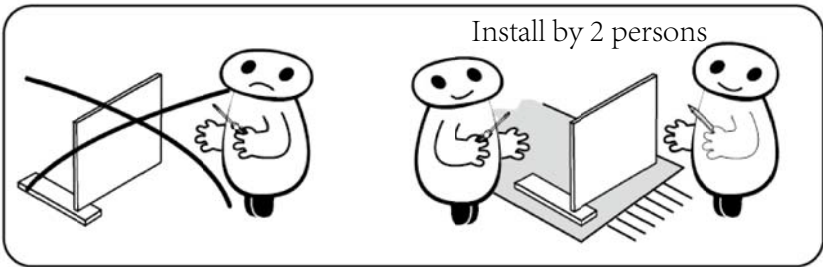
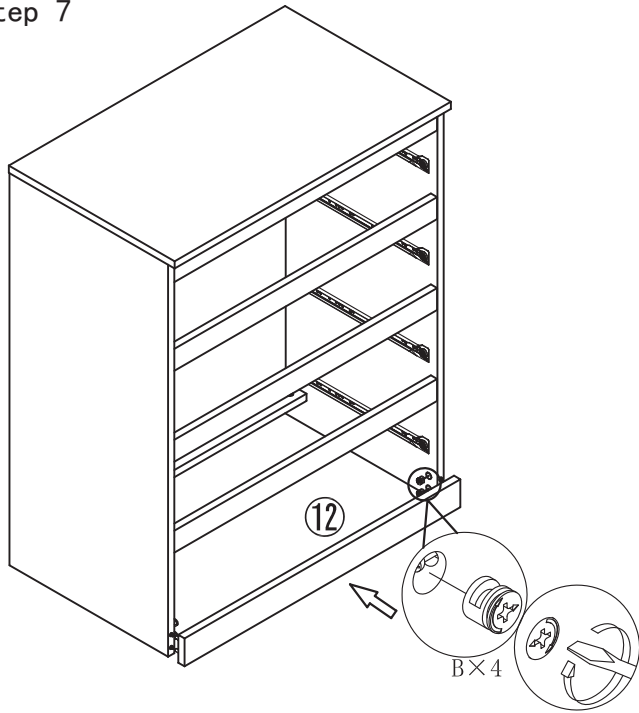


<p>① Top panel</p>  <p>1×</p>	<p>② Right side panel</p>  <p>1×</p>	<p>③ Left side panel</p>  <p>1×</p>	<p>④ Back panel</p>  <p>2×</p>	<p>A. Dowel</p>  <p>14×</p>	<p>B. Cam lock</p>  <p>34+2×</p>
<p>⑤ Front baffle panel</p>  <p>4×</p>	<p>⑥ Drawer front panel</p>  <p>4×</p>	<p>⑦ Drawer right side panel</p>  <p>4×</p>	<p>⑧ Left right side panel</p>  <p>4×</p>	<p>E. Long pitch self-tapping screw</p>  <p>16+1×</p>	<p>F. Backboard bracket</p>  <p>8×</p>
<p>⑨ Drawer back panel</p>  <p>4×</p>	<p>⑩ Drawer bottom panel</p>  <p>4×</p>	<p>⑪ Bottom pulling bar</p>  <p>1×</p>	<p>⑫ Apron board</p>  <p>1×</p>	<p>G. Backboard strip</p>  <p>1×</p>	<p>H. Anti-pour hardware package</p>  <p>2×</p>
<p>⑨ Drawer back panel</p>  <p>4×</p>				<p>I. Dual-purpose screwdriver</p>  <p>1×</p>	

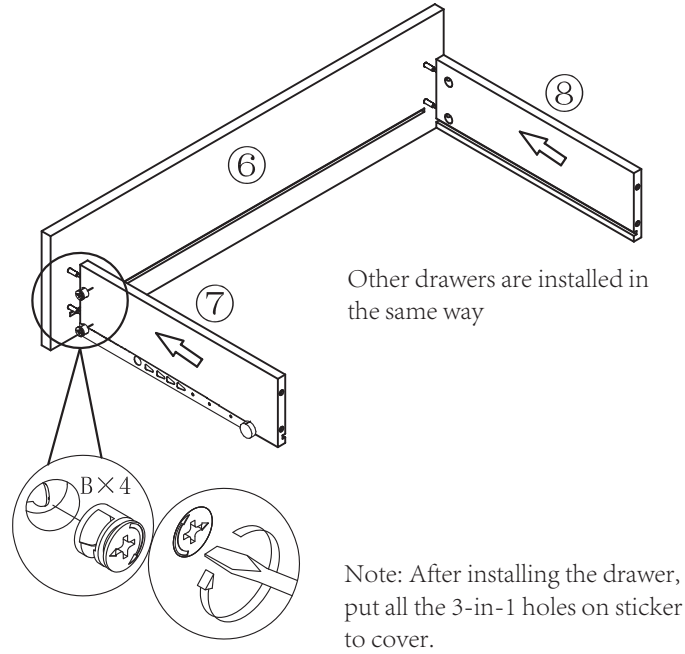


Model	GF582-0810
Name	4-drawer chest
Size	800W*480D*1002H

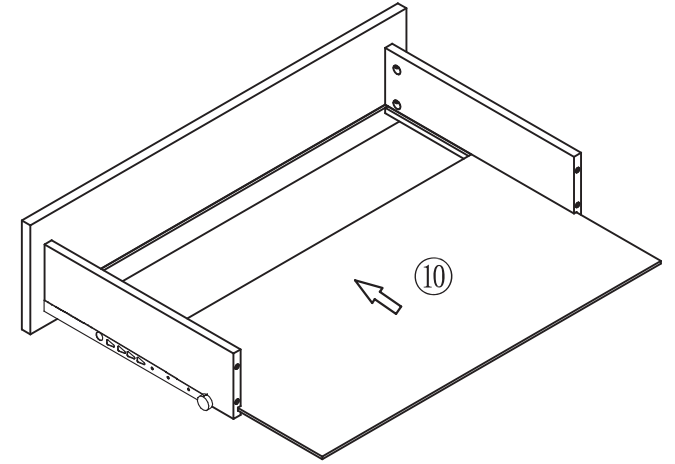
Step 7



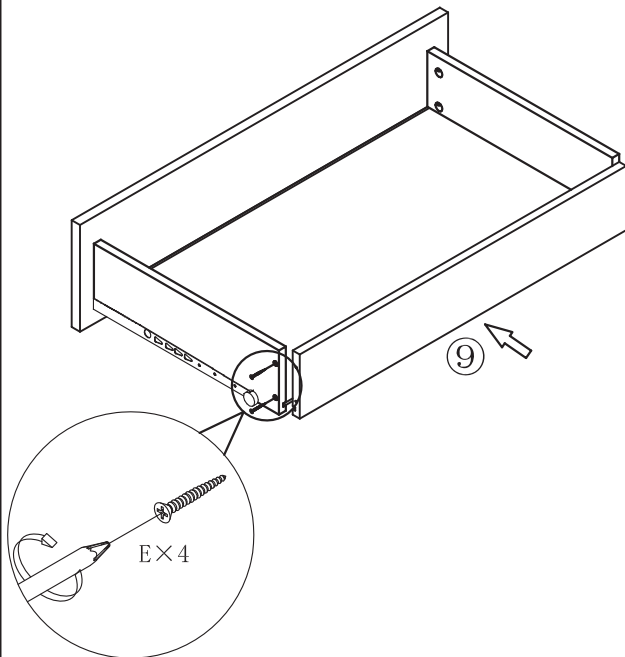
Step 8



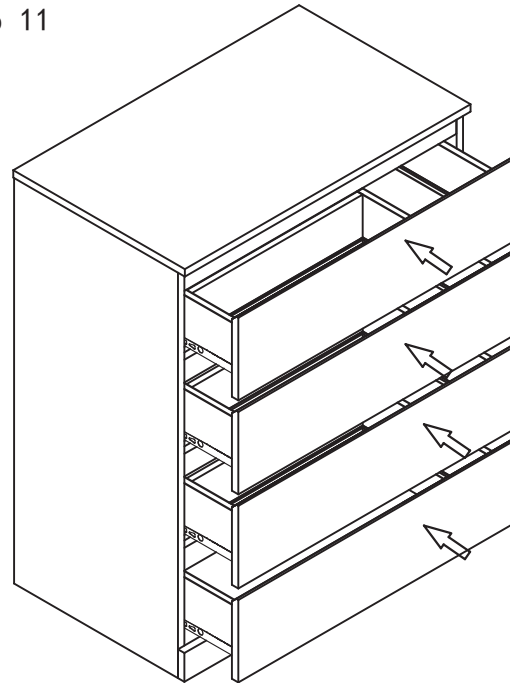
Step 9



Step 10

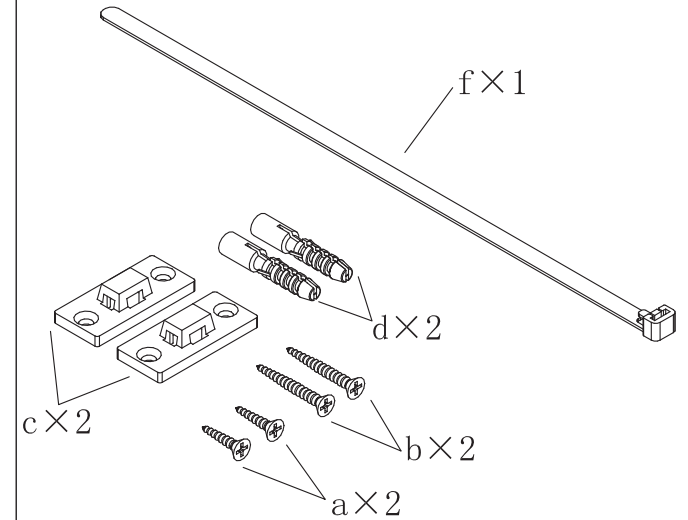


Step 11

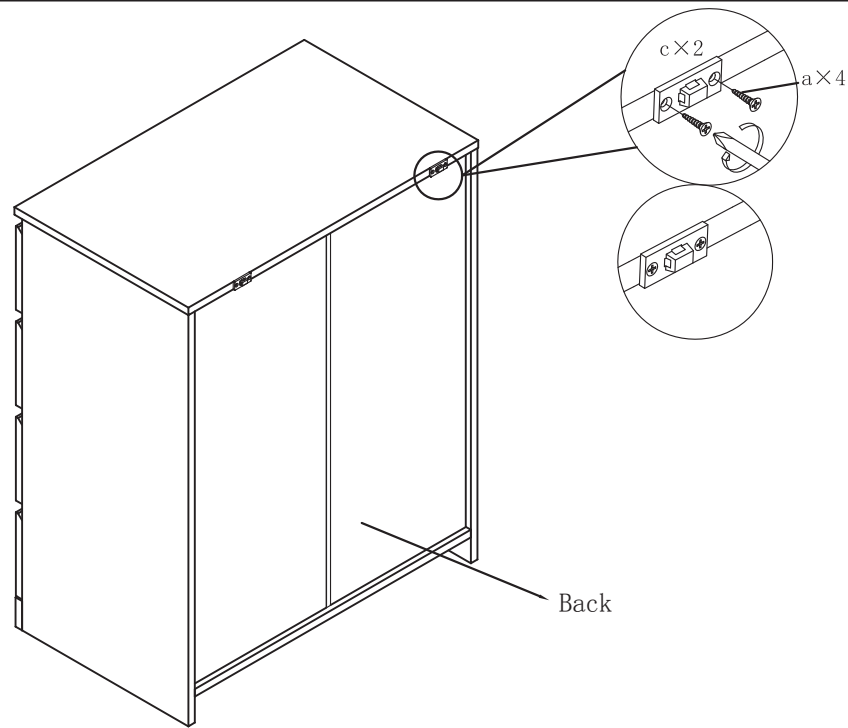


Step 12

Open K (anti-pour hardware package) 2X
(the following is the number of single package)



Step 13



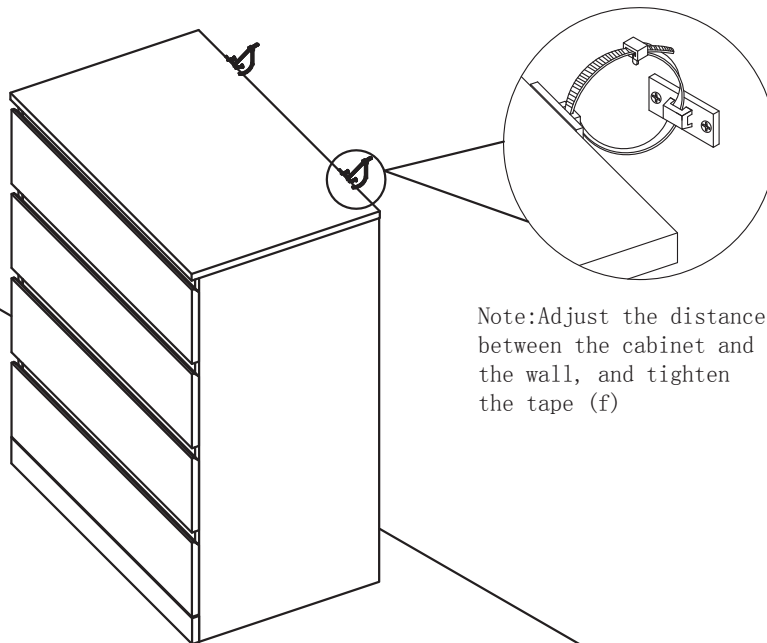
Step 14

Note: According to the installation in the top plate C corresponding to the location of the hole in the wall, and tap into $d \times 4$, and then screw into $b \times 4$



Step 15

Note: put $f (\times 2)$ through the $c (\times 2)$



Step 16

