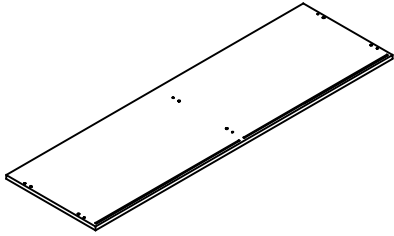
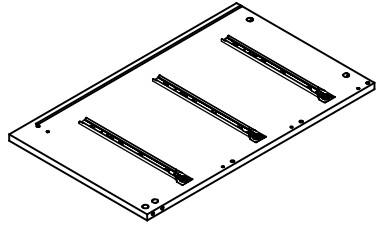
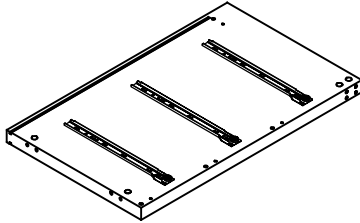
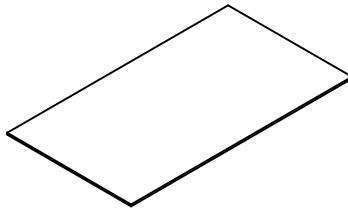
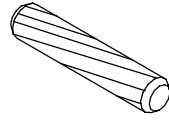
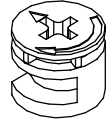
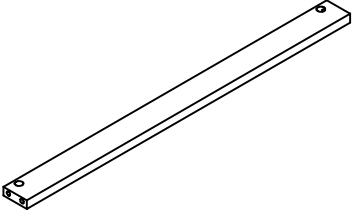
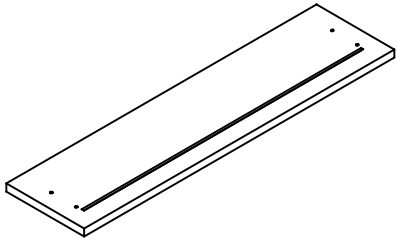
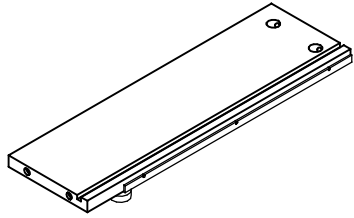
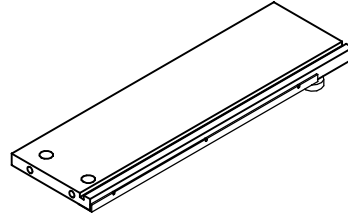
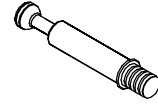
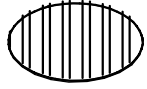
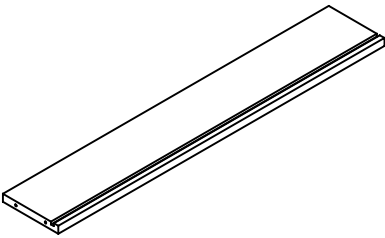
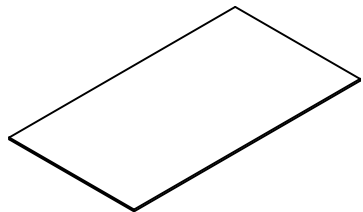
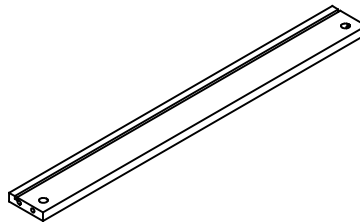
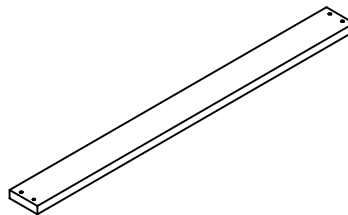

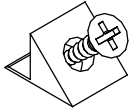
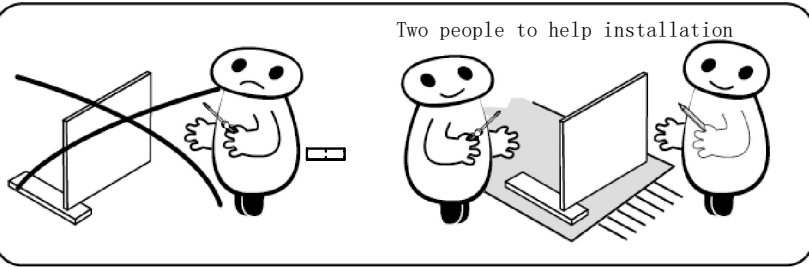
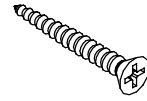
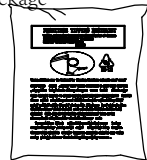
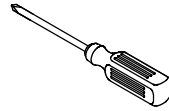
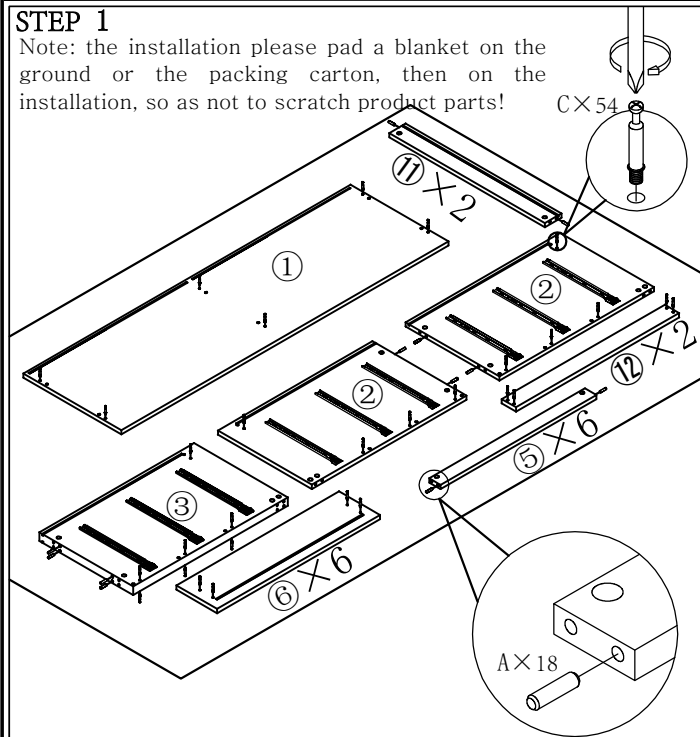


<p>① top panel</p>  <p>1×</p>	<p>② Left and Right sides panels</p>  <p>2×</p>	<p>③ Interplate</p>  <p>1×</p>	<p>④ Back plane</p>  <p>2×</p>	<p>A. Dowel</p>  <p>18+1×</p>	<p>B. Cam Lock</p>  <p>54+3×</p>
<p>⑤ baffle</p>  <p>6×</p>	<p>⑥ Drawer front panel</p>  <p>6×</p>	<p>⑦ Right drawer side panel</p>  <p>6×</p>	<p>⑧ Left drawer side panel</p>  <p>6×</p>	<p>C. Cam Pin</p>  <p>54+1×</p>	<p>D. Cam Cover</p>  <p>30+2×</p>
<p>⑨ Drawer back panel</p>  <p>6×</p>	<p>⑩ Drawer Bottom Panel</p>  <p>6×</p>	<p>⑪ Back plane strip</p>  <p>2×</p>	<p>⑫ Lower baffle</p>  <p>2×</p>	<p>E. Cam Cover</p>  <p>24+1×</p>	<p>F. Behind the support frame</p>  <p>16×</p>
 <p>Two people to help installation</p>				<p>G. Wood screw</p>  <p>24+1×</p>	<p>H. Anti falling hardware package</p>  <p>2×</p>
				<p>I. Screwdriver</p>  <p>1×</p>	
				<p>Model : GF583-1607</p> <p>Size : 1600W*480D*774H</p>	

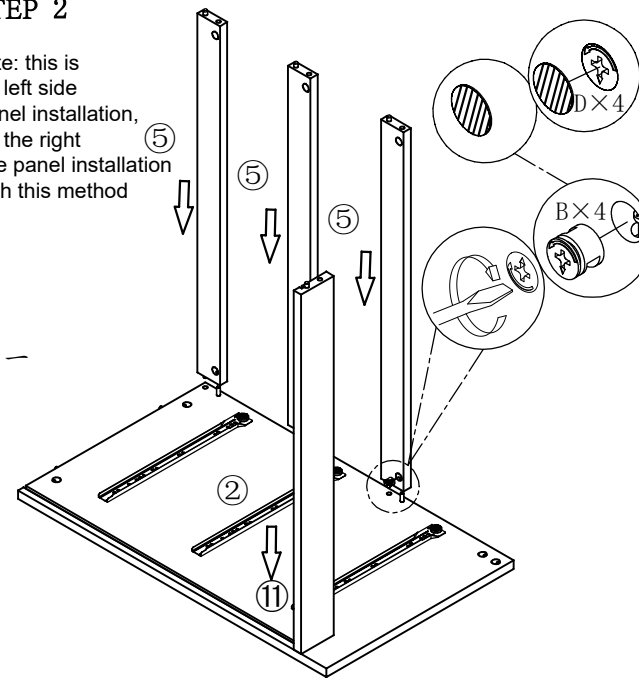
STEP 1

Note: the installation please pad a blanket on the ground or the packing carton, then on the installation, so as not to scratch product parts!

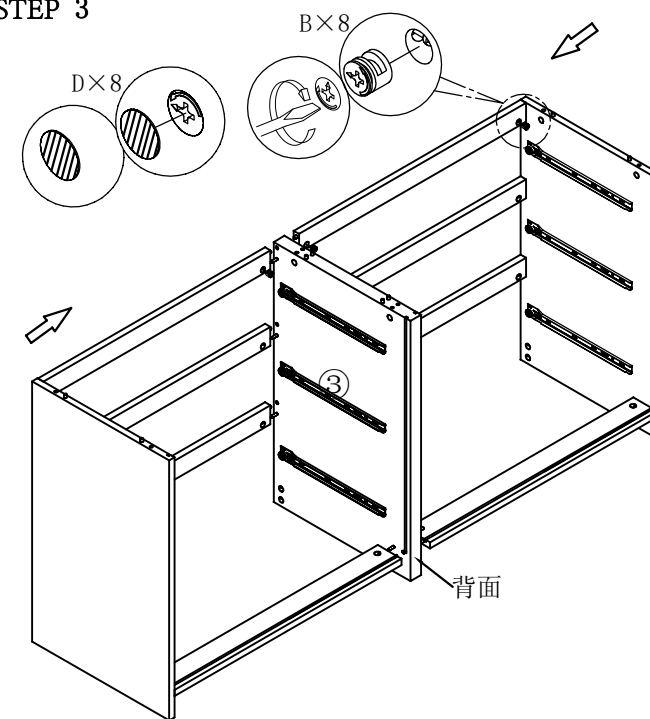


STEP 2

Note: this is the left side panel installation, on the right side panel installation with this method

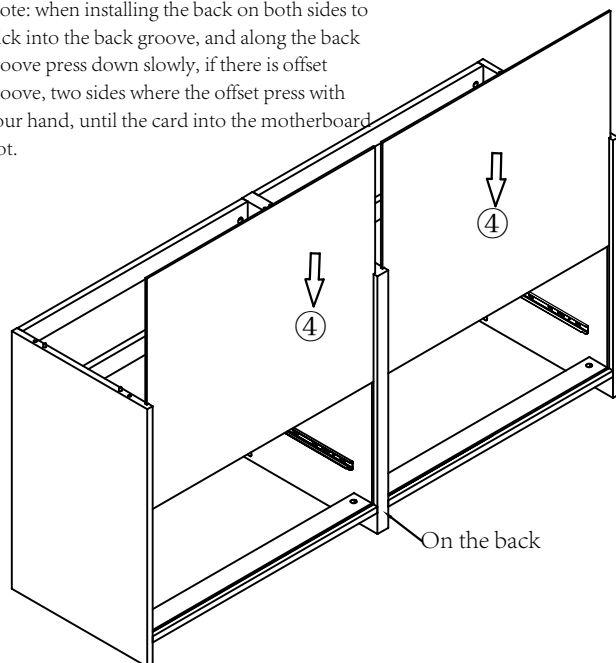


STEP 3

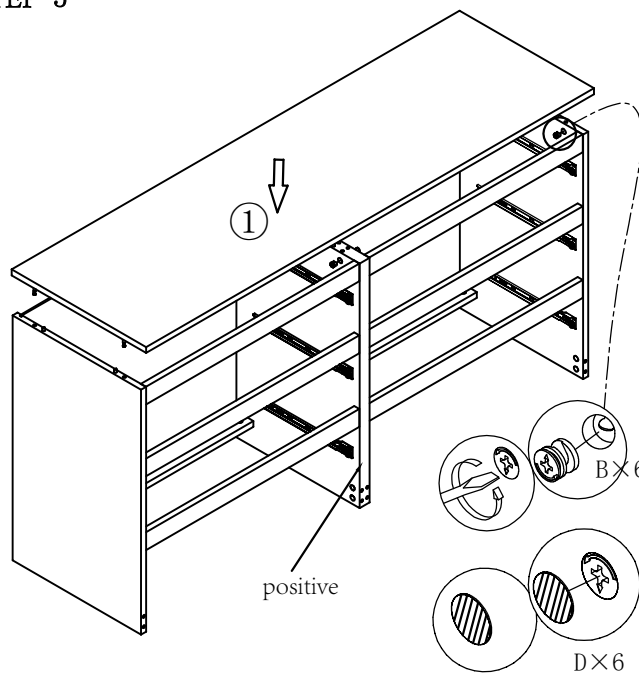


STEP 4

Note: when installing the back on both sides to stick into the back groove, and along the back groove press down slowly, if there is offset groove, two sides where the offset press with your hand, until the card into the motherboard slot.

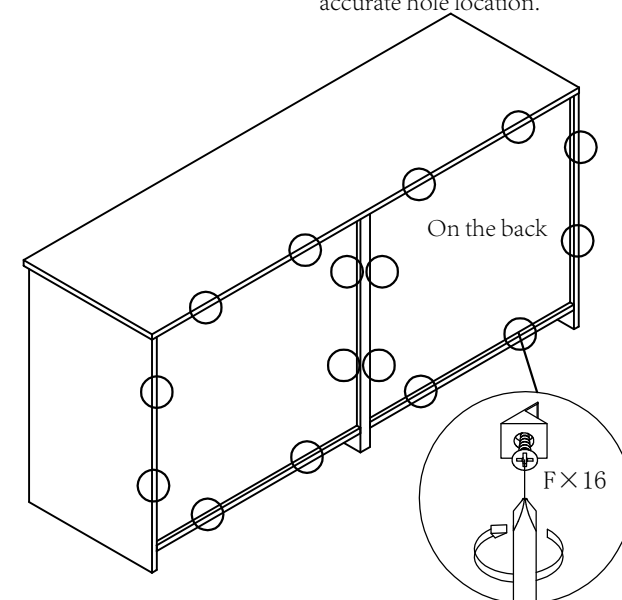


STEP 5

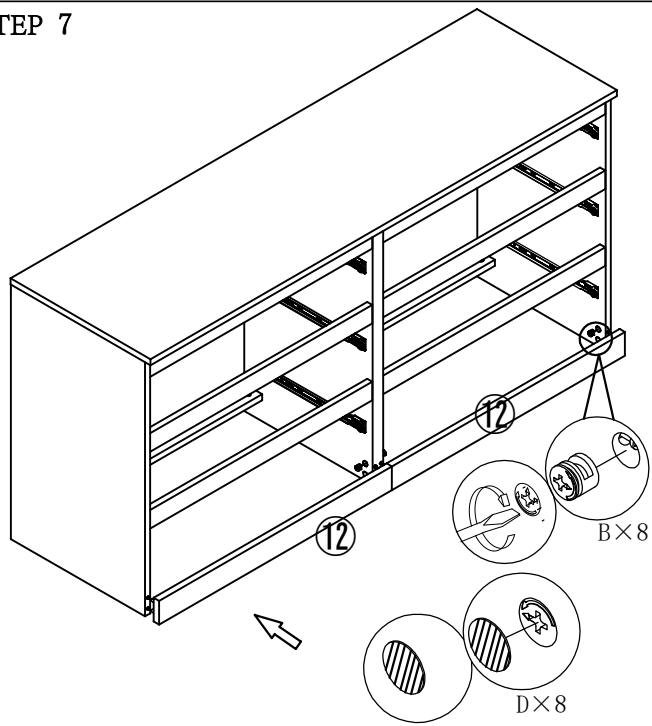


STEP 6

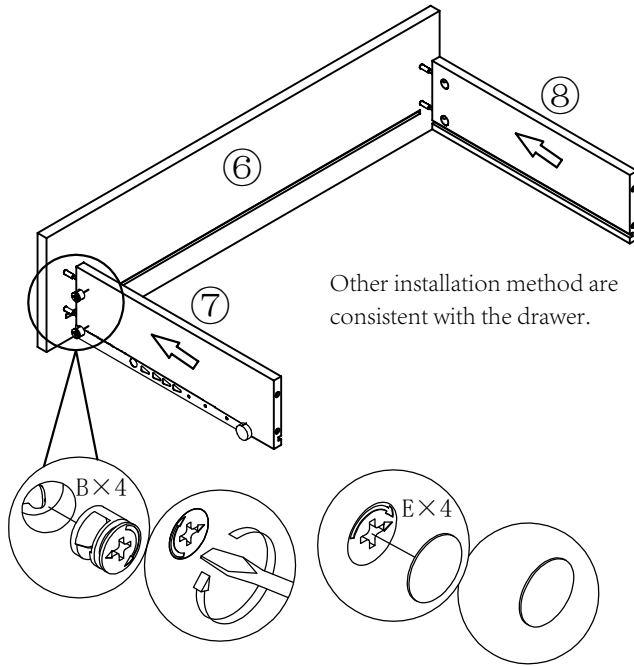
Note: when installing the back bracket can consult a circle on the drawing, there is no accurate hole location.



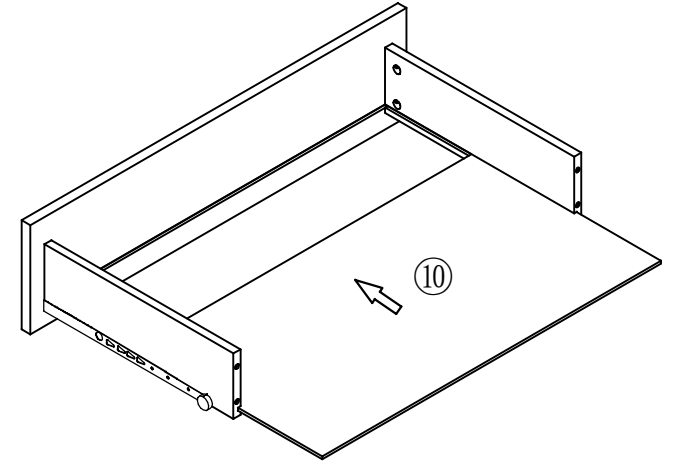
STEP 7



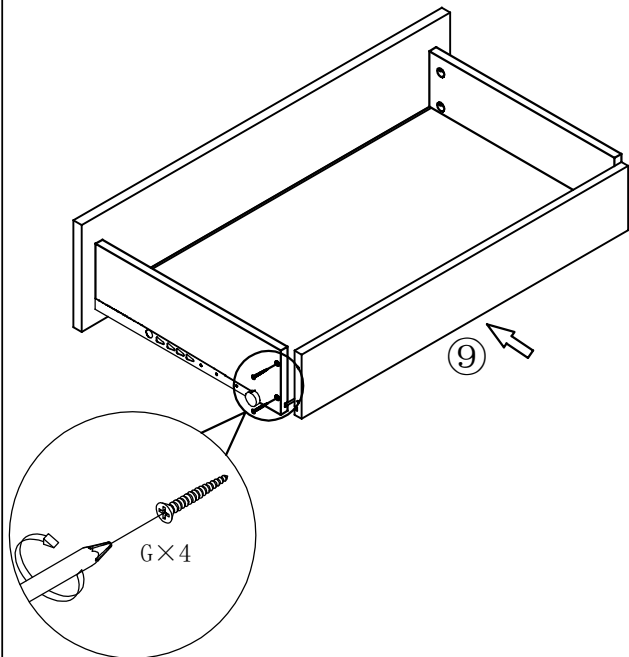
STEP 8



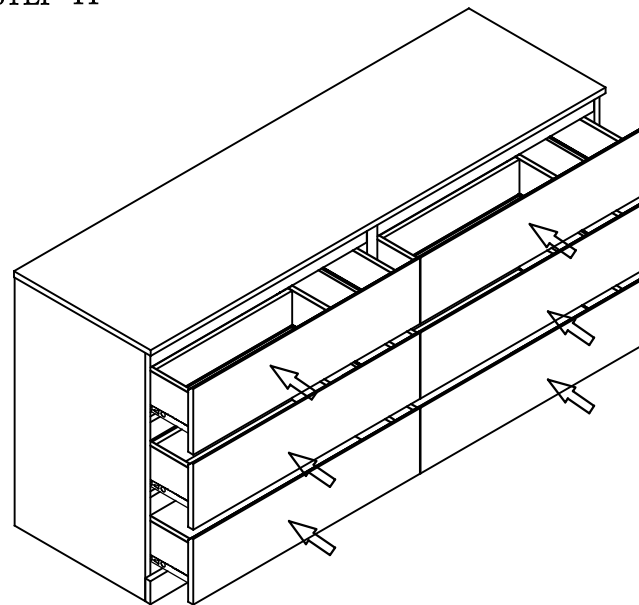
STEP 9



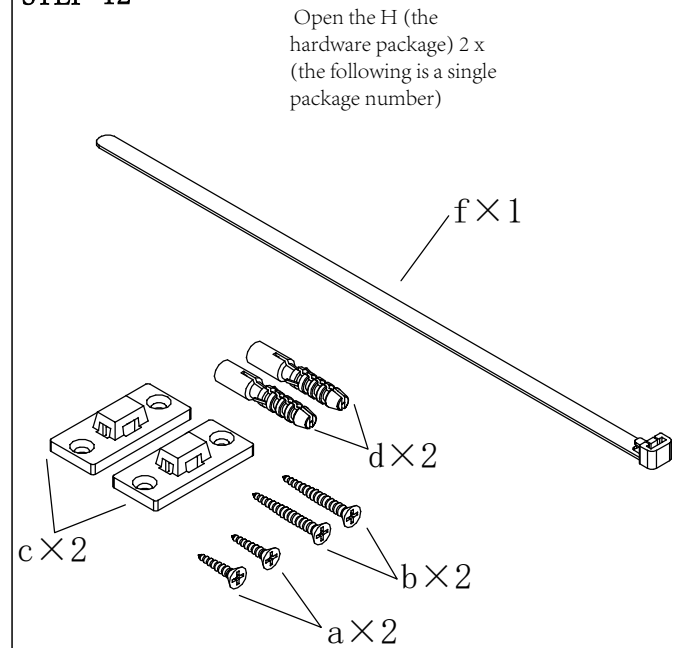
STEP 10



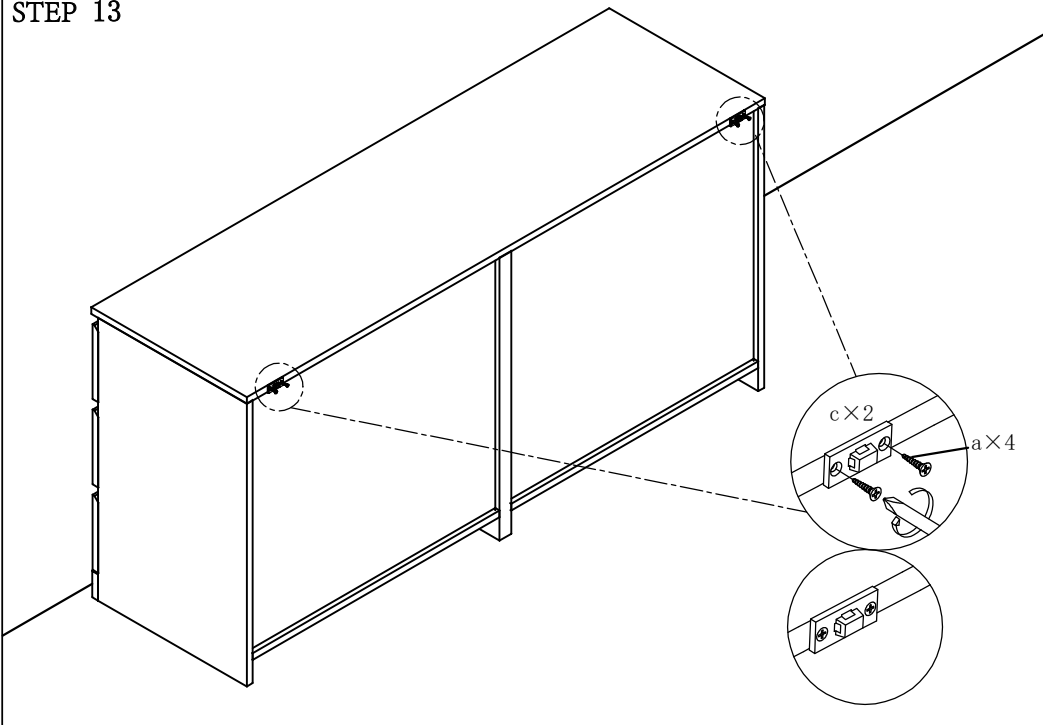
STEP 11



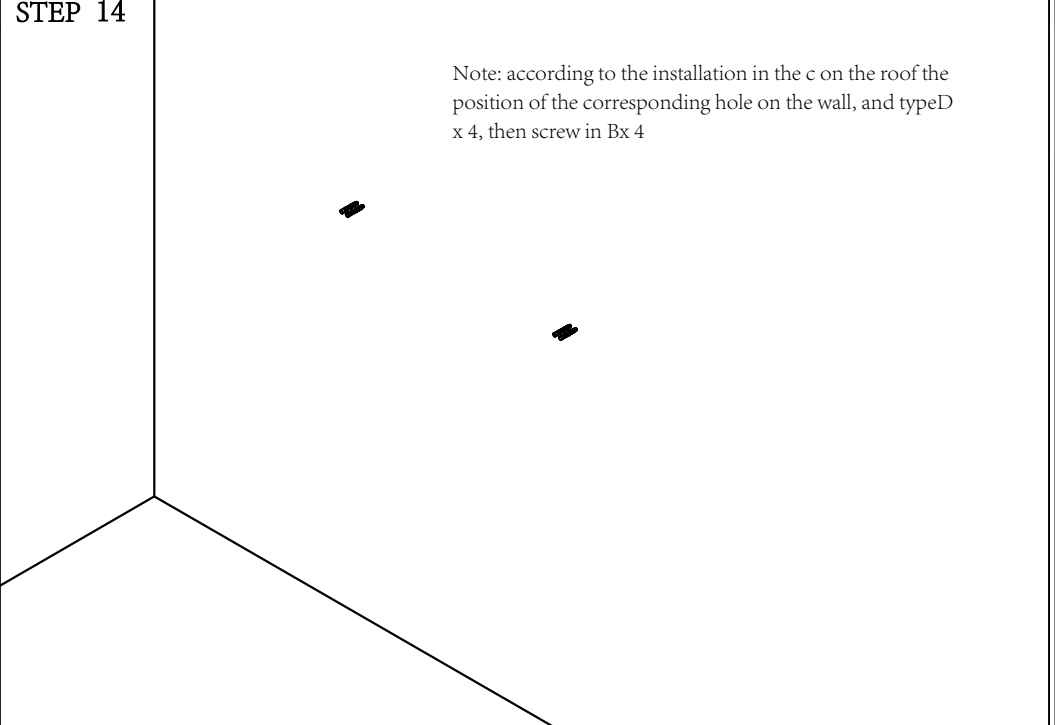
STEP 12



STEP 13

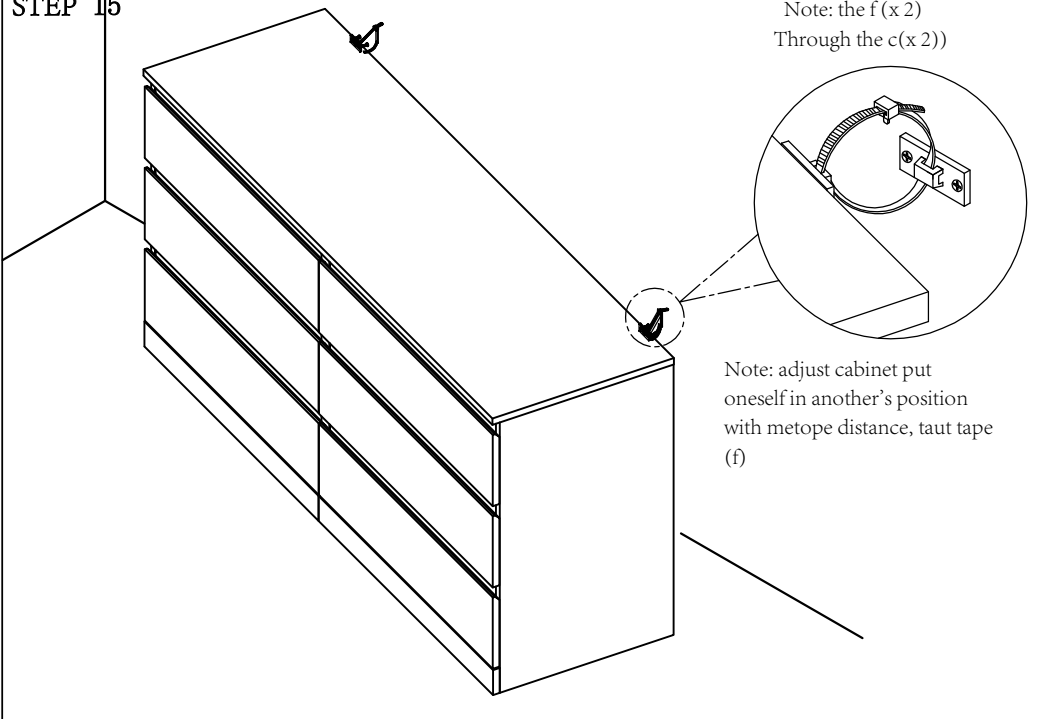


STEP 14



Note: according to the installation in the c on the roof the position of the corresponding hole on the wall, and type D x 4, then screw in B x 4

STEP 15



Note: the f (x 2)
Through the c (x 2))

Note: adjust cabinet put
oneself in another's position
with metope distance, taut tape
(f)

STEP 16

