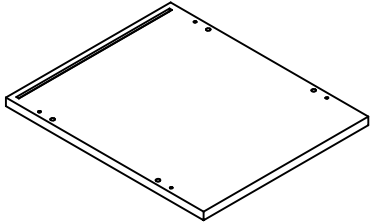
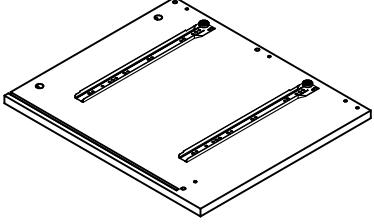
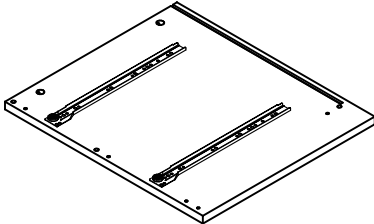
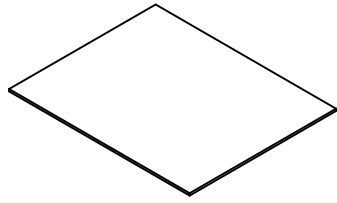
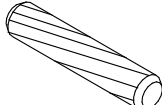

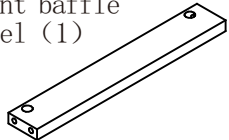
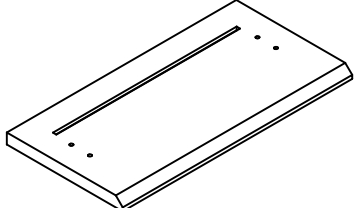
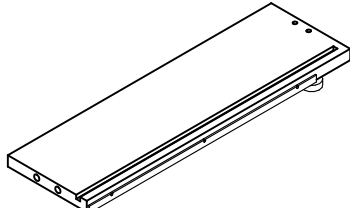
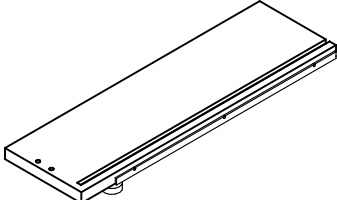
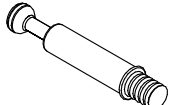

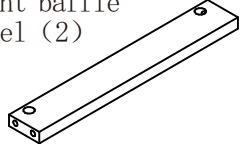
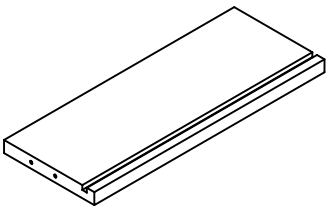
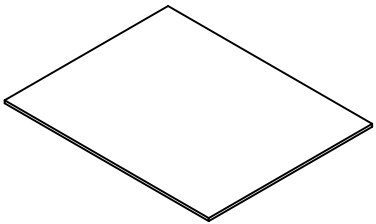
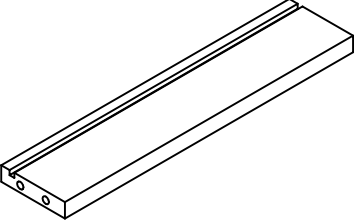
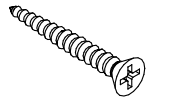
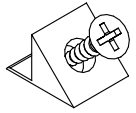
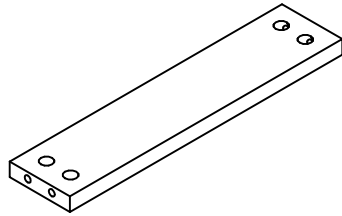
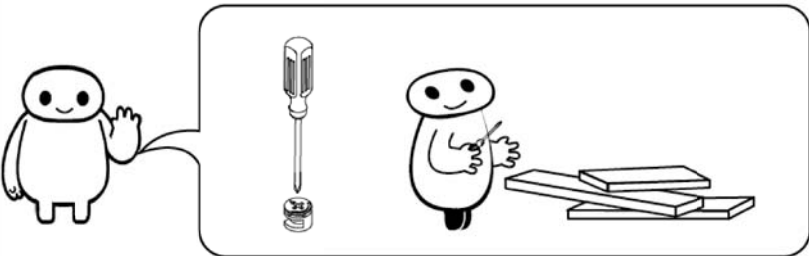
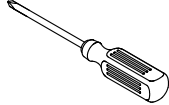
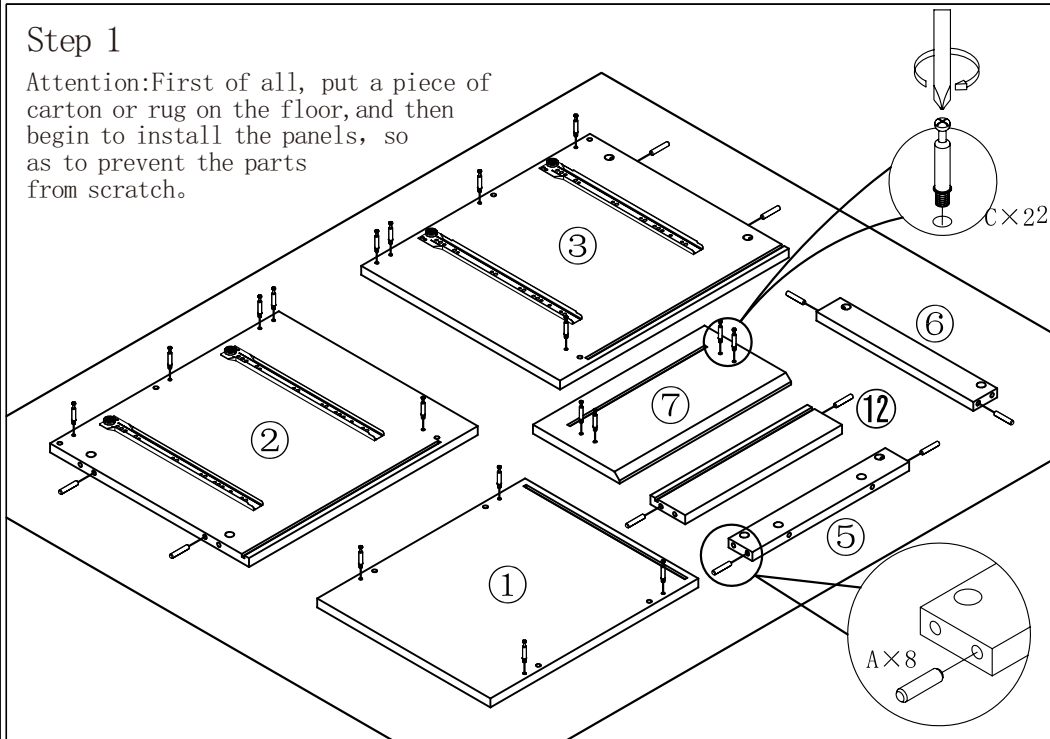


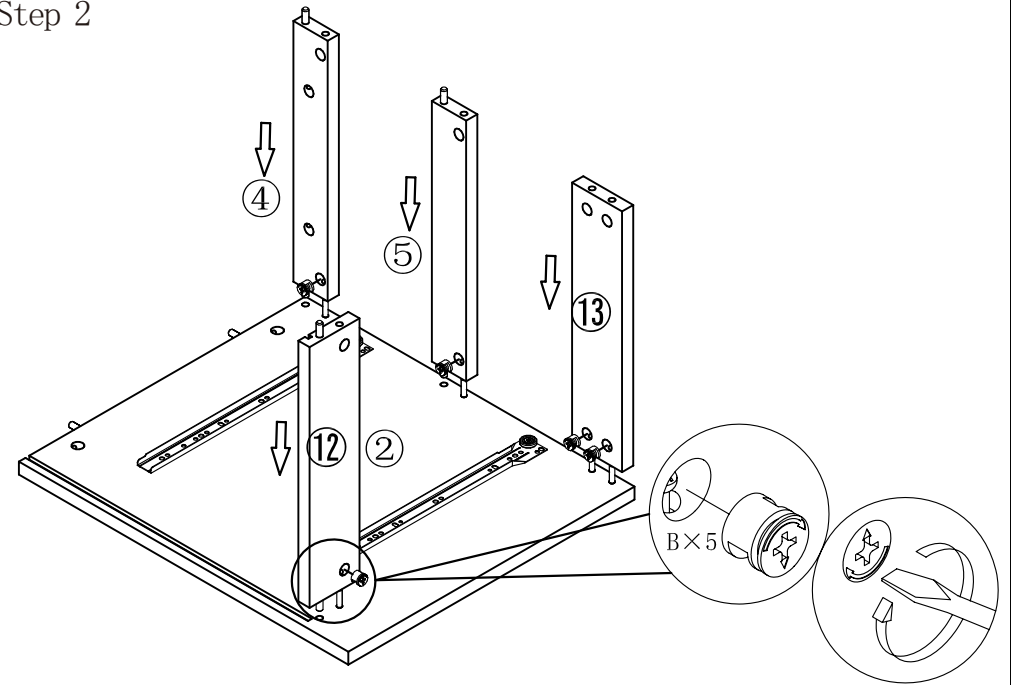
<p>① Top Panel</p>  <p>1×</p>	<p>② Right top Panel</p>  <p>1×</p>	<p>③ Left top Panel</p>  <p>1×</p>	<p>④ Back Panel</p>  <p>1×</p>	<p>A. Dowel</p>  <p>8×</p>	<p>B. Cam Lock</p>  <p>22+2×</p>		
<p>⑤ Front baffle panel (1)</p>  <p>1×</p>	<p>⑦ Drawer front panel</p>  <p>2×</p>	<p>⑧ Drawer left side panel</p>  <p>2×</p>	<p>⑨ Drawer right side panel</p>  <p>2×</p>	<p>C. Cam Pin</p>  <p>22+1×</p>	<p>D. Cam Cover</p>  <p>22×</p>		
<p>⑥ Front baffle panel (2)</p>  <p>1×</p>	<p>⑩ Drawer back panel</p>  <p>2×</p>	<p>⑪ Drawer bottom panel</p>  <p>2×</p>	<p>⑫ Bottom pulling bar</p>  <p>1×</p>	<p>E. Long pitch self-tapping screw</p>  <p>8×</p>	<p>F. Back panel bracket</p>  <p>4×</p>		
<p>⑬ Apron board</p>  <p>1×</p>			<p>G. Dual-purpose Screwdriver</p>  <p>1×</p> <table border="1" data-bbox="1733 1324 2190 1452"> <tr> <td>Model</td> <td>GF580-0405</td> </tr> <tr> <td>Size</td> <td>400W*480D*546H</td> </tr> </table>	Model	GF580-0405	Size	400W*480D*546H
Model	GF580-0405						
Size	400W*480D*546H						

### Step 1

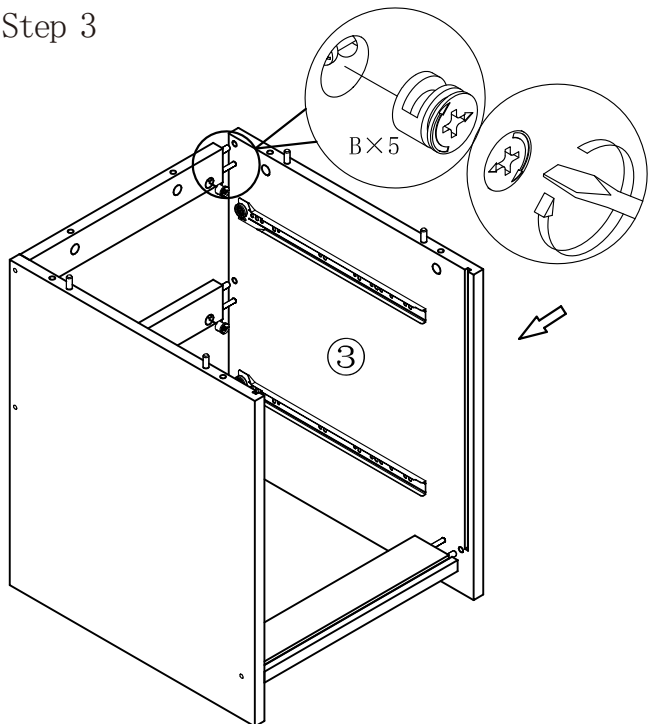
Attention: First of all, put a piece of carton or rug on the floor, and then begin to install the panels, so as to prevent the parts from scratch.



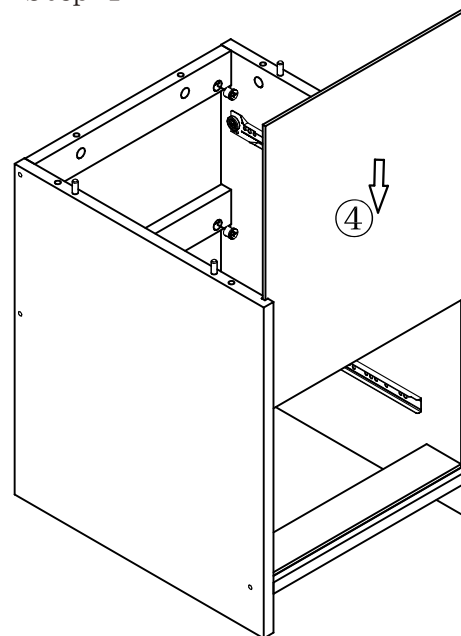
### Step 2



### Step 3

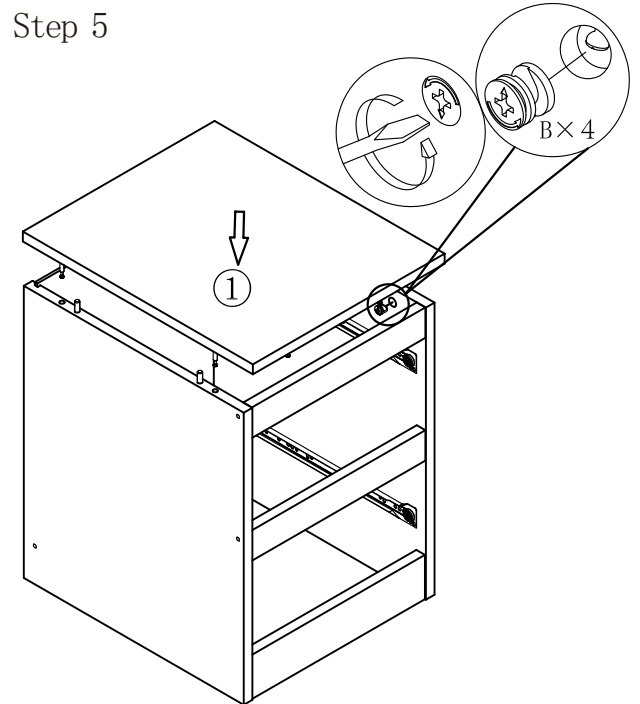


### Step 4

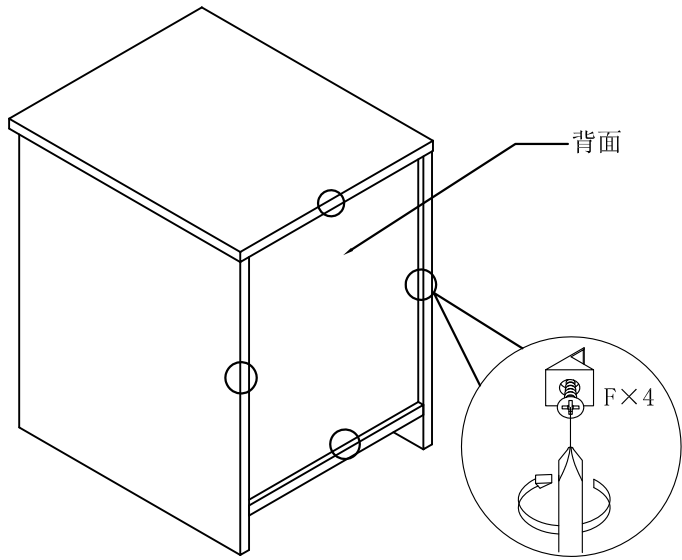


Note: You need to check the back panel on both sides of the card slot can go straight down to the bottom of the slot of the pull bar when installing the back panel, if the way stuck, you can use hand to press back and forth.

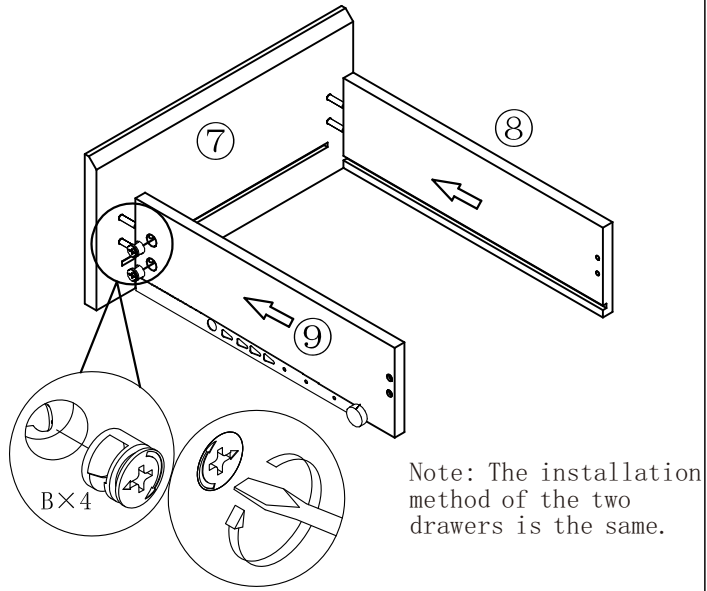
### Step 5



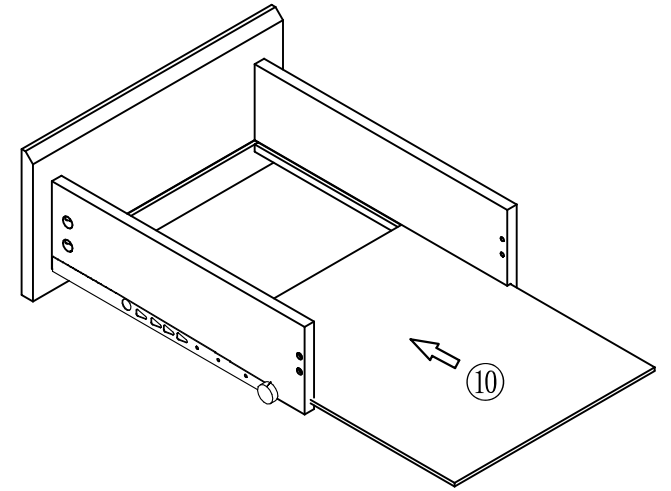
Step 1



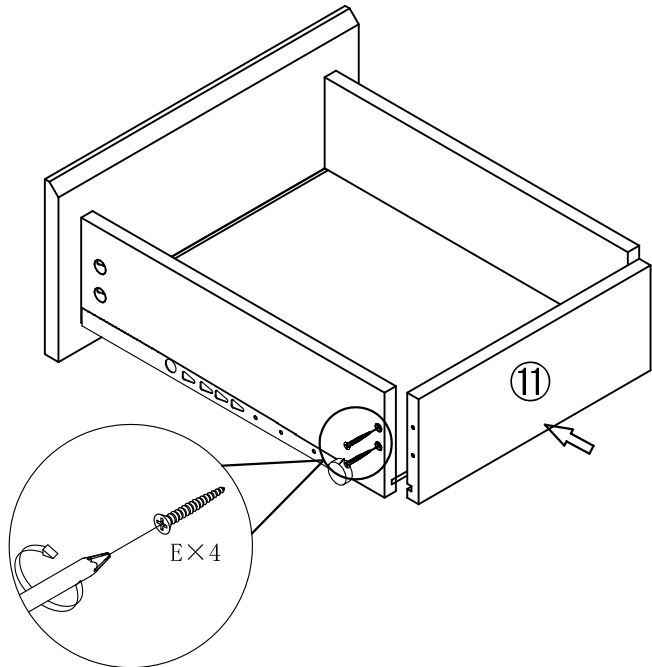
Step 2



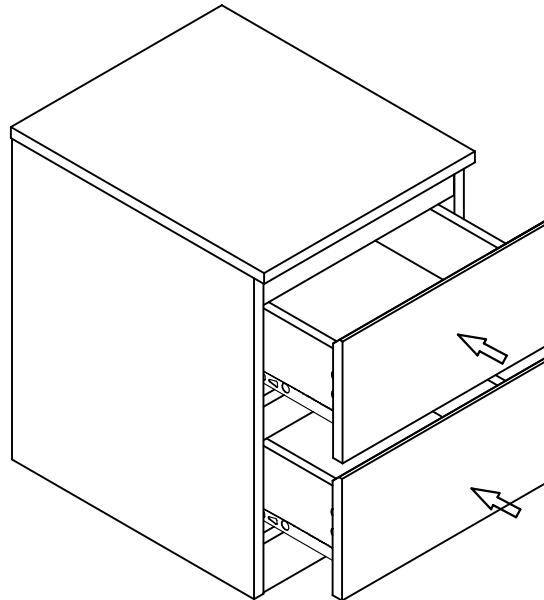
Step 3



Step 4



Step 5



Step 6

