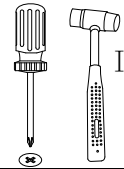


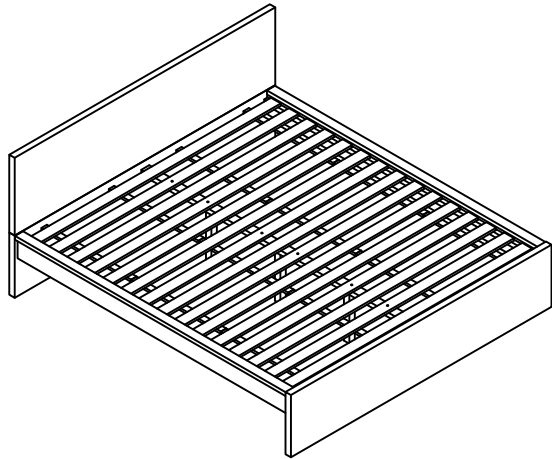
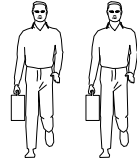
ASSEMBLY INSTRUCTIONS

ITEM NO. : GF094-15 SIZE: 1634W*2090D*900H



Installation
tool

Two
people



HARDWARE LIST

(A) *4	(B) *16	(C) *16	(D) *8
(E) *1	(F) *8	(G) * 3+1	(H) *5
(I) *1	(J) *14	(L) *6	(M) *3
(O) *3	(Q) *3	(R) *8	(S) *8
(T) *3	(u) *18+1		

PARTS LIST

NO	Description	Quantity
①	Head board	1
②	Head board	1
③	Foot board	1
④	Side rail	2
⑤	Post	1
⑥	Post	2
⑦	Supporting leg	3
⑧	Supporting leg	3
⑨	Block	2
⑩	Girth Edge	2

