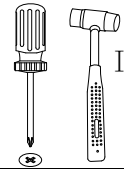


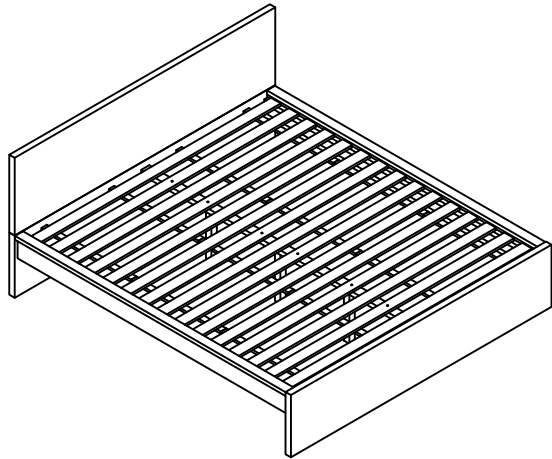
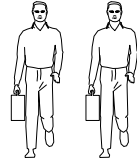
# ASSEMBLY INSTRUCTIONS

ITEM NO. : GF094-15    SIZE: 1634W\*2090D\*900H

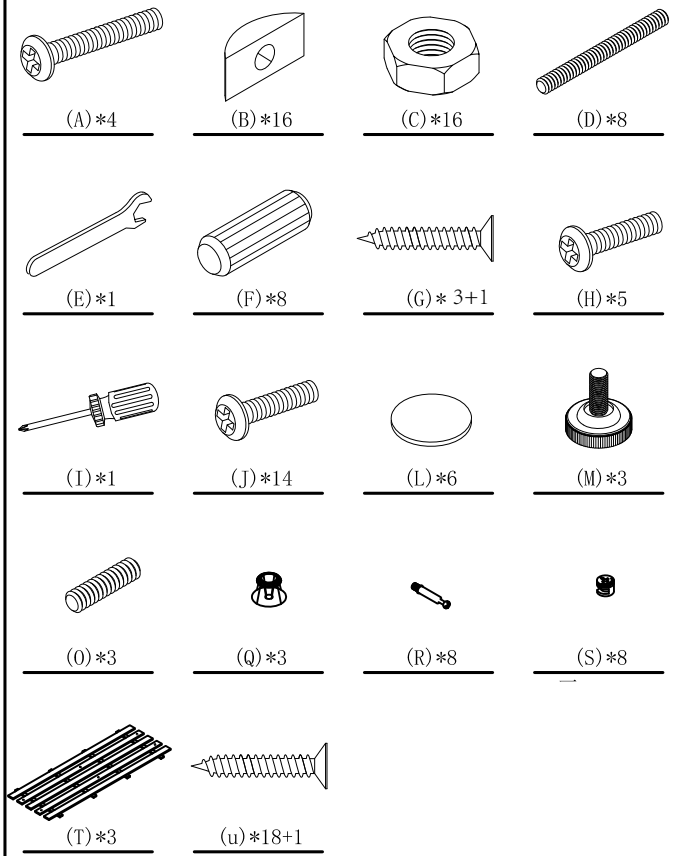


Installation  
tool

Two  
people



## HARDWARE LIST



## PARTS LIST

NO	Description	Quantity
①	Head board	1
②	Head board	1
③	Foot board	1
④	Side rail	2
⑤	Post	1
⑥	Post	2
⑦	Supporting leg	3
⑧	Supporting leg	3
⑨	Block	2
⑩	Girth Edge	2

